

# Bestway®

Visit [www.bestwaycorp.com/support](http://www.bestwaycorp.com/support) for help



**WE SUGGEST NOT TO RETURN  
THE PRODUCT TO THE STORE**

**QUESTIONS? PROBLEMS?**

**MISSING PARTS?**

For FAQ, Manuals, Videos Or  
Spare Parts, Please Visit  
[bestwaycorp.com/support](http://bestwaycorp.com/support)

EN

DE

NL

FR



[bestwaycorp.com/support](http://bestwaycorp.com/support)



[bestwaycorp.com/support](http://bestwaycorp.com/support)

Visit Bestway YouTube channel 



**EN WARNING**

**smooth out the bottom**

Put 1" to 2" water in the pool to cover the floor. Once pool floor is slightly covered, gently smooth out all wrinkles. Start in the center of the pool and work your way clockwise to the outside.

**DE ACHTUNG**

**glätten den Boden**

Füllen Sie 1" bis 2" Wasser in den Pool, so dass der Boden bedeckt ist. Glätten Sie vorsichtig alle Falten sobald der Poolboden leicht bedeckt ist. Beginnen Sie in der Mitte des Pools und arbeiten Sie im Uhrzeigersinn zur Außenseite.

**NL WAARSCHUWING**

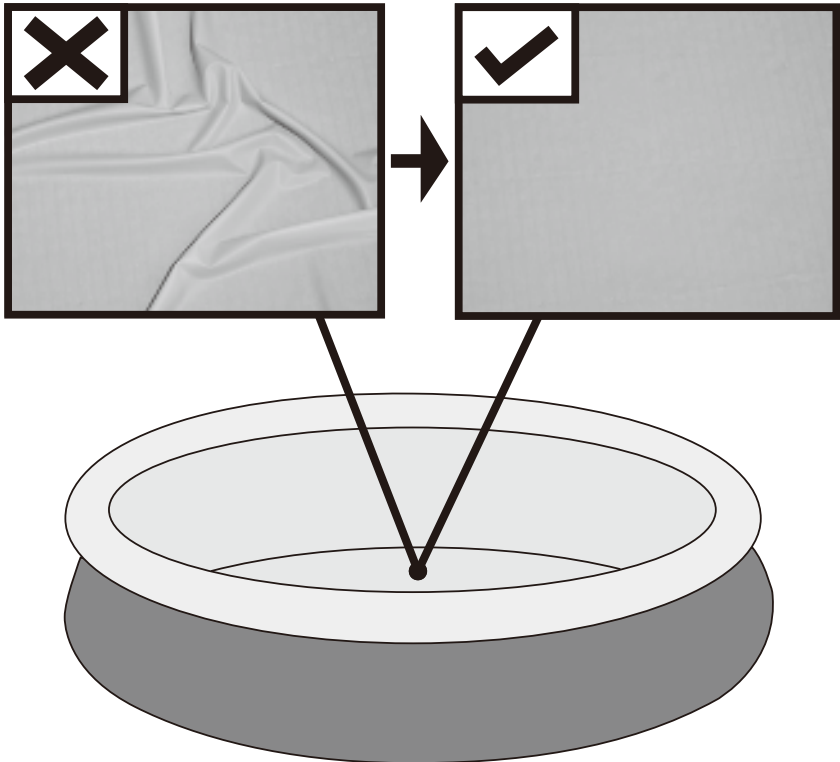
**glad uit de bodem**

Doe 1" tot 2" water in het zwembad, net voldoende om de bodem onder water te zetten. Wanneer dit gebeurd is worden alle rimpels voorzichtig gladgestreken. Begin in het midden van het zwembad en ga zo rechtsom naar de rand toe.

**FR ATTENTION**

**lisser le fond**

Mettez quelques centimètres d'eau dans la piscine pour couvrir le sol. Une fois que le sol de la piscine est légèrement recouvert, lissez tous les plis. Commencez par le centre de la piscine et continuez dans le sens des aiguilles d'une montre vers l'extérieur.



**EN COMPONENTS LIST**

NOTE: Some parts already have been installed on the pool.

**DE STÜCKLISTE**

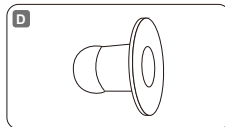
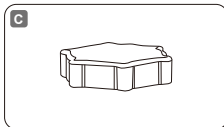
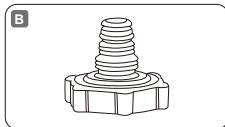
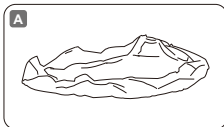
HINWEIS: Einige Teile wurden bereits am Pool installiert.

**NL ONDERDELENLIJST**

OPMERKING: Sommige delen werden al op het zwembad geïnstalleerd.

**FR LISTE DES COMPOSANTS**

REMARQUE : Certaines pièces ont déjà été installées sur la piscine.



FAST SET™	2.44 m x 61 cm (8' x 24")	2.44 m x 66 cm (8' x 26")	3.05 m x 66 cm (10' x 26")	3.05 m x 76 cm (10' x 30")	3.66 m x 76 cm (12' x 30")
		57448;57449; 57450	57265;57267; 57268	57456;57457; 57458	57266;57269; 57270
<b>A</b>	x1	x1	x1	x1	x1
<b>B</b>	x1	x1	x1	x1	x1
<b>C</b>	x1	x1	x1	x1	x1
<b>D</b>	x2	x2	x2	x2	x2

FAST SET™	3.66 m x 76 cm (12' x 30")	3.96 m x 84 cm (13' x 33")	4.57 m x 84 cm (15' x 33")	4.57 m x 1.07 m (15' x 42")	4.57 m x 1.22 m (15' x 48")
		57443;57444; 57445	57375;57376	57313;57315	57371;57372
<b>A</b>	x1	x1	x1	x1	x1
<b>B</b>	x1	x1	x1	x1	x1
<b>C</b>	x1	x1	x1	x1	x1
<b>D</b>	x2	x2	x2	x2	x2



## FAST SET™ POOLS OWNER'S MANUAL

### WARNING

Carefully read, understand, and follow all information in this user manual before installing and using the swimming pool. These warnings, instructions, and safety guidelines address some common risks of water recreation, but they cannot cover all risks and dangers in all cases. Always use caution, common sense, and good judgment when enjoying any water activity. Retain this information for future use.

#### Non Swimmers safety

- Continuous, active, and vigilant supervision of weak swimmers and non-swimmers by a competent adult is required at all times (remembering that children under five are at the highest risk of drowning).
- Designate a competent adult to supervise the pool each time it is being used.
- Weak swimmers or non-swimmers should wear personal protection equipment when using the pool.
- When the pool is not in use, or unsupervised, remove all toys from the swimming pool and its surrounding to avoid attracting children to the pool.

#### Safety devices

- In order to prevent children from drowning, it is recommended to secure the access to the pool with a protection device. In order to prevent children climbing from the inlet and outlet valve, it is recommended to install a barrier (and secure all doors and windows, where applicable) to prevent unauthorized access to the swimming pool.
- Barriers, pool covers, pool alarms, or similar safety devices are helpful aids, but they are not substitutes for continuous and competent adult supervision.

#### Safety equipment

- It is recommended to keep rescue equipment (e.g. a ring buoy) by the pool.
- Keep a working phone and a list of emergency phone numbers near the pool.

#### Safe use of the pool

- Encourage all users especially children to learn how to swim.
- Learn Basic Life Support (Cardiopulmonary Resuscitation - CPR) and refresh this knowledge regularly. This can make a life-saving difference in the event of an emergency.
- Instruct all pool users, including children, what to do in case of an emergency.
- Never dive into any shallow body of water. This can lead to serious injury or death.
- Do not use the swimming pool when using alcohol or medication that may impair your ability to safely use the pool.
- When pool covers are used, remove them completely from the water surface before entering the pool.
- Protect pool occupants from water related illnesses by keeping the pool water treated and practicing good hygiene. Consult the water treatment guidelines in the user's manual.
- Store chemicals (e.g. water treatment, cleaning or disinfection products) out of the reach of children.

- Use the signage as outlined below. Signage is to be displayed in a prominent position within 2m of the pool.



Keep children under supervision in the aquatic environment. No diving.

- Removable ladders shall be placed on a horizontal surface.
- Irrespective of materials used for swimming pool construction, accessible surfaces have to be checked regularly to avoid injuries.
- Regularly monitor bolts and screws. Remove splinters or any sharp edges to avoid injuries.
- **ATTENTION:** Do not leave the drained pool outside. The empty pool is liable to become deformed and/or displaced due to wind.
- If you have a filter pump, refer to the pump's manual for instructions.
- **WARNING!** The pump cannot be used while people are inside the pool!
- If you have a ladder, refer to the ladder's manual for instructions.
- **WARNING!** The use of a swimming pool implies compliance with the safety instructions described in the operating and maintenance guide. In order to prevent drowning or other serious injuries, pay particular attention to the possibility of unexpected access to the swimming pool by children under 5 years by securing the access to it, and, during the bathing period, keep them under constant adult supervision.

### Please read carefully and keep for future reference

#### CHOOSE THE CORRECT LOCATION

The surface chosen to install the pool must respect the following technical characteristics:

1. Because of the combined weight of the water inside the pool and the pool users, it is extremely important that the surface chosen to install the pool is capable of uniformly supporting the total weight for the entire time the pool is installed. When choosing the surface, take into consideration that water may come out of the pool when in use or in the rain. If the water softens the surface, it may lose its capability to support the pool weight.
2. We recommend positioning the pool away from any objects children could use to climb into the pool.
3. Position the pool near an adequate drainage system to deal with overflow or to discharge the pool.
4. The surface must be flat and smooth. If the surface is inclined or uneven, it can create an unbalanced loading on the structure of the pool. This situation can damage the welding point of the liner. In the worst cases, the pool can collapse, causing serious personal injury and/or damage to personal property.
5. The selected surface must be clear of any type of object. Due to the weight of the water, any object under the pool could damage or perforate the bottom of the pool.
6. The selected surface must be clear of aggressive plants and weed species. Those types of strong vegetation could grow through the liner and create water leakage. The grass or other vegetation that may cause odor or slime to develop have to be eliminated from the set-up location.

7. The selected location must not have overhead power lines or trees. Be sure the location does not contain underground utility pipes, lines or cables of any kind.
8. The selected position must be far from house entrance. Do not position any equipment or other furniture around the pool. The water that comes out of the pool during the use or due to a faulty product can damage the furniture inside the house or surrounding the pool.
9. The selected surface must be flat and without holes that can damage the material of the liner.

Follow the important instructions above to choose the correct surface and location to set up your pool. Damaged parts of the pool, due to the fact that the set-up surface and location does not match the instructions, will not be considered as manufacture defect and will avoid the warranty and any service claims.

**Suggested set-up surfaces:** grass, ground, concrete, and all other surfaces that respect the above set-up conditions.

**Not suggested surfaces:** mud, sand, gravel, deck, balcony, driveway, platform, soft/loose soil or other surface that does not meet the above set-up conditions.

**NOTE:** Check with your local city council for by-laws relating to fencing, barriers, lighting and safety requirements and ensure you comply with all laws.

**NOTE:** If have a filter pump, refer to the pump's manual for instructions.

**NOTE:** The ladder must match the pool size and should be used only for entering and exiting the pool. It is forbidden to exceed the permitted payload of the ladder. Check regularly if the ladder is properly assembled.

## INSTALLATION

Installation usually takes approximately 10 minutes with 2-3 people excluding earthworks and filling.

Bestway will not be responsible for damage caused to the pool due to mishandling or failure to follow these instructions.

**ATTENTION:** Do not use a high pressure air hose or over-inflate the top ring, it should be slightly stiff to the touch.

**NOTE:** Do not use extension power cords to power your pump.

**ATTENTION:** Do not drag the pool on the ground, this can damage the pool.

**NOTE:** The base or bottom of the pool should be laid out properly (flat without wrinkles).

**NOTE:** Hot temperatures cause air to expand the ring and may cause damage. Leave some room for expansion. For assistance or FAQs, please visit the support section on our website, [www.bestwaycorp.com](http://www.bestwaycorp.com).

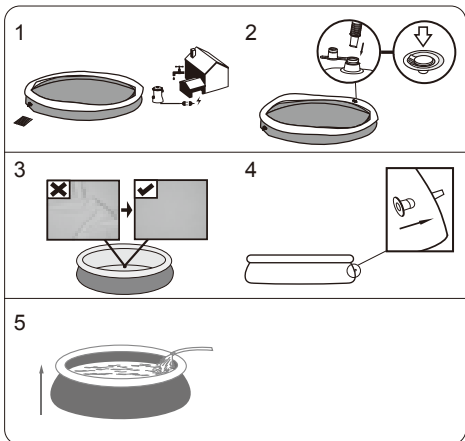
**NOTE:** Drawings for illustration purposes only. May not reflect actual product. Not to scale.

## POOL MAINTENANCE

If you do not adhere to the maintenance guidelines below, your health might be at risk, especially that of your children.

**Using chemical tablets (not included):**

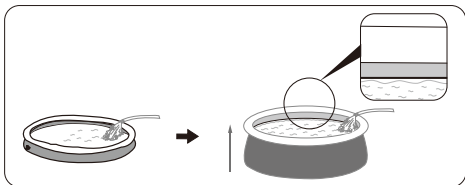
**NOTE:** Chemconnect or Chemical Floater must be used when you perform chemical maintenance with tablets. Your purchased item may not include any of those dispensers, in this case you can purchase it by visiting our website [www.bestwaycorp.com](http://www.bestwaycorp.com) or at the nearest pool dealer.



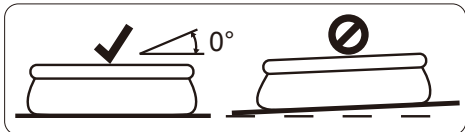
## FILLING POOL WITH WATER

**ATTENTION:** Do not leave pool unattended while filling with water.

1. Fill the water until the wall is straight up, and the water reaches the welding line. **DO NOT OVERFILL** as this could cause the pool to collapse. In times of heavy rainfall you may need to empty some of the water to ensure the level is correct.

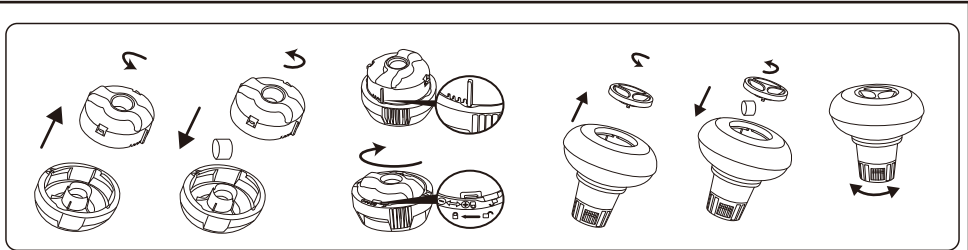


2. When filling the pool is completed, check that the water is not collecting on any side to ensure the pool is level.



**IMPORTANT:** If pool is not level, drain water and re-level ground by digging out. Never attempt to move the pool with water in it, serious personal injury or damage to the pool may result.

**WARNING:** Your pool may contain a great deal of pressure. If your pool has any bulge or uneven side, then the pool is not level, the sides may burst and the water may discharge suddenly causing serious personal injury and/or damage to property.



**IMPORTANT:** Don't use granulate tablets or throw the tablet directly in the water. The chemicals can deposit on the bottom, damage the material and discolor the PVC.

**Using chemical liquid (not included):**

**IMPORTANT:** Add chemical liquid in small doses and in the center of the pool to avoid direct contact between the chemicals and the PVC surface. Direct contact can damage the material and discolor the surface.

**NOTE:** Remove the chemical dispenser from pool when the pool is in use.

**IMPORTANT:** After performing chemical maintenance and before using the pool, use a test kit (not included) to test the water chemistry. We recommend maintaining your water according to the following table.

Parameters	Values
Water clarity	clear view of the pool bottom
Colour of the water	no colour should be observed
Turbidity in FNU/NTU	max. 1,5 (preferably less than 0,5)
Nitrate concentration above that of fill water in mg/l	max. 20
Total organic carbon (TOC) in mg/l	max. 4,0
Redox potential against Ag/AgCl 3,5 m KCl in mV	min. 650
pH value	6,8 to 7,6
Free active chlorine (without cyanuric acid) in mg/l	0,3 to 1,5
Free chlorine used in combination with cyanuric acid in mg/l	1,0 to 3,0
Cyanuric acid in mg/l	max. 100
Combined chlorine in mg/l	max. 0,5 (preferably close to 0,0 mg/l)

**NOTE:** Damage resulting from chemical imbalance is not covered by the warranty. Pool chemicals are potentially toxic and should be handled with care. There are serious health risks from chemical vapors and the incorrect labeling and storage of chemical containers. Please consult your local pool supply retailer for more information about chemical maintenance. Pay close attention to the chemical manufacturer's instructions. Pool damage resulting from misuse of chemicals and mismanagement of pool water is not covered by the warranty.

**IMPORTANT:** Over usage of chemicals can discolor the printing and all points of the pool material. It can also damage the structure of the pool liner.

**To keep your pool clean:**

1. Contact your local pool supply shop for advice and purchase of chemicals and pH kits. One of the most important factors to increase the life of the liner is to keep continuously clean and healthy water. Please strictly follow the instructions from professional technicians for the water treatment through the use of chemicals.
2. Locate a bucket of water next to pool to clean users' feet before entering pool.
3. Cover the pool when not in use.
4. Skim pool regularly to avoid settled dirt.
5. Check and wash the filter cartridge regularly.
6. Gently clean any scum from below the top ring with a clean cloth.
7. Please be careful in case of rain water, kindly check that the water level is not higher than the expected. If so, YOU HAVE TO DISCHARGE THE EXCESS WATER.
8. If it rains, check that the water level is not higher than the specified level. If water exceeds the specified levels, drain the pool to the specified level.

**Proper maintenance can maximize the life of your pool.**

During the season of use of the swimming pool, the filtration system must be necessarily put into service every day, enough time to assure at least a complete renewal of the volume of water.

**NOTE:** The pump is used to circulate the water and to filter small particles. In order to keep your pool water clean and hygienic, you must also add chemicals.

## **REPAIR**

In the event of a leak, patch your pool using the underwater adhesive repair patch provided. You can find the instructions in FAQs on the support section of our website, [www.bestwaycorp.com](http://www.bestwaycorp.com).

## **DISMANTLING**

1. Unscrew the drain valve cap counter-clockwise and remove.
2. Connect the adaptor to the hose and put the other end of the hose in the area where you are going to drain your pool. (Check local regulations for drainage by-laws).
3. Screw the control ring of the hose adaptor clockwise onto the drain valve. The drain valve will be open and water will start to drain automatically. Open the drain valve to the maximum position.
4. Deflate the top ring by squeezing the air valve.
5. When the top ring is fully deflated, press the top ring down, and tilt it to drain the pool easily. Completely drain the water in the pool.
6. When draining is finished, unscrew the control ring to close the valve.
7. Disconnect the hose.
8. Screw the cap back onto the drain valve.
9. Air dry pool.

## **STORAGE**

1. Please remove all the accessories and spare parts of the pool and store them clean and dry.
2. Once pool is completely dry, sprinkle with talcum powder to prevent pool from sticking together, fold pool carefully. If pool is not completely dry, mold may result and will damage the pool liner.
3. Store liner and accessories in a dry place with a moderate temperature between 5°C / 41°F and 38°C / 100°F.
4. During the rainy season, pool and accessories should be stored as per above instructions also.
5. Improper draining of the pool might cause serious personal injury and/or damage to personal property.
6. We strongly recommend the pool is disassembled during the off season (winter months). Store in a dry location out of children's reach.

## FAST SET™ - POOLS BENUTZERHANDBUCH

Besuchen Sie den YouTube-Kanal von Bestway 



### ACHTUNG

Vor dem Bau und der Benutzung des Schwimmbeckens werden sämtliche Informationen in dieser Anleitung sorgfältig gelesen, verstanden und befolgt. Diese Warnhinweise, Anleitungen und Sicherheitsrichtlinien umfassen einige allgemeine Risiken in Bezug auf Freizeitbeschäftigung im Wasser, sie können jedoch nicht sämtliche Risiken und Gefährdungen in allen Fällen behandeln. Bei jeglicher Aktivität im Wasser wird Vorsicht, gesunder Menschenverstand und gutes Urteilsvermögen walten gelassen. Diese Angaben werden für die spätere Nutzung aufbewahrt.

#### Sicherheit von Nichtschwimmern

- Es ist jederzeit eine ständige, aktive und wachsame Beaufsichtigung schwacher Schwimmer und Nichtschwimmer durch eine sachkundige erwachsene Aufsichtsperson erforderlich (es wird daran erinnert, dass das größte Risiko des Ertrinkens bei Kindern unter 5 Jahren besteht).
- Es wird eine sachkundige erwachsene Person bestimmt, die das Becken überwacht, wenn es benutzt wird.
- Schwache Schwimmer oder Nichtschwimmer sollten persönliche Schutzausrüstung tragen, wenn sie ins Schwimmbecken gehen.
- Wenn das Schwimmbecken nicht benutzt oder überwacht wird, werden sämtliche Spielsachen aus dem Schwimmbecken und seiner Umgebung entfernt, um zu verhindern, dass Kinder davon angezogen werden.

#### Sicherheitsvorrichtungen

- Um das Ertrinken von Kindern zu verhindern, wird empfohlen, den Zugang zum Schwimmbecken mit einer Schutzvorrichtung zu sichern. Um Kinder vom Klettern über das Einlass- und Auslassventil abzuhalten, Es wird empfohlen, eine Absperrung zu errichten (und sämtliche Türen und Fenster zu sichern, sofern zutreffend), um unberechtigten Zutritt zum Schwimmbecken zu vermeiden.
- Absperrungen, Beckenabdeckungen, Alarmanlagen oder ähnliche Sicherheitsvorrichtungen sind sinnvolle Hilfsmittel, ersetzen jedoch keine ständige und sachkundige Überwachung durch erwachsene Personen.

#### Sicherheitsausrüstung

- Es wird empfohlen, Rettungs-ausrüstung (z. B. einen Rettungsring) in der Nähe des Beckens aufzubewahren.
- Ein funktionierendes Telefon und eine Liste von Notrufnummern werden in der Nähe des Schwimmbeckens aufbewahrt.

#### Sichere Nutzung des Schwimmbeckens

- Sämtliche Nutzer, insbesondere Kinder, werden dazu ermuntert, schwimmen zu lernen.
- Erste Hilfe (Herz-Lungen-Wiederbelebung) erlernen und diese Kenntnisse regelmäßig auffrischen. Das kann bei einem Notfall einen lebensrettenden Unterschied ausmachen.
- Sämtliche Beckenbenutzer, einschließlich Kinder, anweisen, was in einem Notfall zu tun ist.
- Niemals in flaches Wasser springen. Das kann zu schweren Verletzungen oder zum Tode führen.
- Das Schwimmbecken nicht benutzen, wenn man unter dem Einfluss von Alkohol oder Medikamenten steht, welche die Fähigkeit zur sicheren Nutzung des Beckens beeinträchtigen können.
- Beckenabdeckungen vor dem Betreten des Schwimmbeckens vollständig von der Wasseroberfläche entfernen, wenn sie verwendet werden.

- Die Nutzer des Schwimmbeckens werden vor durch das Wasser verbreiteten Krankheiten geschützt, indem das Wasser stets aufbereitet und hygienisch unbedenklich gehalten wird. Die Richtlinien zur Wasseraufbereitung in der Gebrauchsanleitung werden zu Rate gezogen.
- Chemikalien (z. B. Produkte für die Wasseraufbereitung, Reinigung oder Desinfektion) außerhalb der Reichweite von Kindern aufbewahren.
- Die nachstehenden Zeichen werden verwendet. Die Zeichen sind an einer gut sichtbaren Stelle innerhalb von 2 000 mm in der Nähe des Schwimmbeckens anzubringen.



Kindern im Wasser und der Wassermenge stets beaufsichtigen. Nicht springen.

- Abnehmbare Leitern sind auf einer waagrechten Fläche anzuordnen.
- Zugängliche Flächen müssen regelmäßig überprüft werden, um Verletzungen zu vermeiden, unabhängig von den für den Bau des Schwimmbeckens verwendeten Materialien.
- Prüfen Sie regelmäßig Bolzen und Schrauben; entfernen Sie Späne, Spreißel sowie sämtliche scharfen Kanten, um Verletzungen zu vermeiden.
- **ACHTUNG!** Lassen Sie den entleerten Pool nicht im Freien. Der leere Pool neigt dazu, durch den Wind verformt und/oder verschoben zu werden.
- Wenn Sie über eine Filterpumpe verfügen, beachten Sie die Anweisungen des Filterpumpen-Handbuchs.
- **ACHTUNG!** Die Pumpe darf nicht betrieben werden, wenn sich Menschen im Pool aufhalten!
- Wenn Sie über eine Leiter verfügen, beachten Sie die Anweisungen des Leiter-Handbuchs.
- **ACHTUNG!** Die Verwendung eines Schwimmbecken-Bausatzes setzt voraus, dass er mit den Sicherheitsvorschriften übereinstimmt, die in der Betriebs- und Wartungsanleitung beschrieben sind. Um ein Ertrinken oder andere ernsthafte Verletzungen zu verhindern, wird besondere Aufmerksamkeit darauf gerichtet, den Zugang zum Schwimmbecken zu sichern, da sich Kinder unter 5 Jahren unerwartet Zugang zum Schwimmbecken verschaffen können, und beim Baden werden die Kinder ununterbrochen von einer erwachsenen Aufsichtsperson beaufsichtigt.

### Bitte sorgfältig lesen und für späteres Nachschlagen aufbewahren.

#### WÄHLEN SIE EINEN GEEIGNETEN ORT

Bevor der Pool aufgebaut wird, sollten folgende Aspekte berücksichtigt werden:

1. Aufgrund des Gesamtgewichts aus Wassermenge und Benutzer, ist es absolut notwendig, dass der gewählte Untergrund dieses während der gesamten Nutzungszeit problemlos tragen kann. Zudem sollte beachtet werden, dass der Boden durch überschwappendes Wasser oder Regen aufgeweicht und dessen Tragfähigkeit dadurch beeinträchtigt werden kann. Das Gewicht des Pools kann unter diesen Umständen eventuell nicht mehr ausreichend getragen werden.
2. Wir empfehlen den Pool nicht in der Nähe von Objekten, welche Kindern als Einstieg dienen können, aufzubauen.
3. Positionieren Sie den Pool in der Nähe einer geeigneten Ablaufstelle. Dies erleichtert den Umgang mit überschwappendem Wasser, sowie das Entleeren des Pools.
4. Die Oberfläche sollte eben und glatt sein. Befindet sich diese im Gefälle oder ist uneben, kann dies zu einer ungleichmäßigen Belastung des Rahmens führen. Dies kann die Schweißpunkte der Folie beschädigen sowie ein Verbiegen des Rahmens zur Folge haben. Im schlimmsten Fall können bei einem Zusammensturz ernsthafte



Verletzungen bei Personen sowie Schäden an persönlichem Eigentum entstehen.

- Die gewählte Oberfläche sollte frei von jeglichen Gegenständen sein. Durch das Gewicht des Wassers kann jedes sich unter dem Pool befindendes Objekt Löcher oder andere Schäden in und an der Poolfolie hervorrufen.
- Die gewählte Oberfläche sollte frei von aggressiven Pflanzen und Unkraut sein. Zu starke Vegetation kann in die Folie eindringen und zu einem Wasseraustritt führen. Geruchs- oder flüssigkeitserzeugende Vegetation sollte ebenfalls vor dem Aufbau entfernt werden.
- Es sollten sich keine Hochspannungsleitungen oder Bäume über der gewählten Oberfläche befinden. Stellen Sie zudem sicher, dass sich dort keine unterirdischen Versorgungsleitungen oder Kabel befinden.
- Der Pool sollte nicht in der Nähe von Hauseingängen platziert werden. Es wird zudem davon abgeraten, Möbel oder andere Einrichtung rund um den Pool herum aufzustellen. Wasser, welches während der Benutzung oder aufgrund einer defekten Komponente aus dem Pool dringt, kann Innen- sowie Außenrichtung erheblich beschädigen.
- Die gewählte Oberfläche sollte frei von Löchern sein.

Die oben genannten Punkte zum Aufbau des Pools sind in jedem Fall zu befolgen. Sollten entstandene Schäden auf ein nicht sachgemäßes Befolgen dieser Anweisungen zurückzuführen sein, können diese nicht als Folge eines Produktionsfehlers gewertet werden. Die Inanspruchnahme der Herstellergarantie ist in diesem Fall nicht möglich.

**Empfohlene Oberflächen:** grass, Boden, Beton oder andere Oberflächen, welche den vorab genannten Anweisungen entsprechen.

**Nicht empfohlene Oberflächen:** schlamm, Sand, Kies, Decke, Balkon, Einfahrt, Plattform, weicher/loser Boden oder andere Oberflächen, welche nicht den vorab genannten Anweisungen entsprechen.

**BITTE BEACHTEN:** Erkundigen Sie sich bei Ihrer zuständigen Stadtverwaltung über Gemeindeverordnungen bezüglich Einzäunung, Barrieren, Beleuchtung und Sicherheitsanforderungen.

**BITTE BEACHTEN:** Bezüglich einer vorhandenen Filterpumpe sei auf die entsprechende Gebrauchsanweisung verwiesen.

**BITTE BEACHTEN:** Die Leiter muss für die Höhe des Pools geeignet sein und sollte nur für dessen Betreten oder Verlassen verwendet werden. Die maximal zulässige Traglast darf in keinem Fall überschritten werden. Stellen Sie zu jeder Zeit den ordnungsgemäßen Aufbau der Leiter sicher.

## AUFBAU

Für gewöhnlich nimmt der Aufbau – Erdarbeiten ausgenommen – mit 2-3 Personen voraussichtlich 10 Minuten in Anspruch. Bestway kann für Schäden, welche aufgrund einer unzureichenden Beachtung dieser Anweisungen entstanden sind, nicht verantwortlich gemacht werden.

**ACHTUNG:** Verwenden Sie keinen Hochdruckluftschlauch und blasen Sie den oberen Ring nicht übermäßig auf, er sollte sich ein bisschen fest anfühlen.

**HINWEIS:** Verwenden Sie keine Verlängerungskabel, um Ihre Pumpe anzuschließen.

**ACHTUNG:** Ziehen Sie den Pool nicht über den Boden, da dies den Pool beschädigen kann.

**HINWEIS:** Die Basis bzw. der Boden des Pools muss ordnungsgemäß ausgebreitet sein (flach und ohne Falten).

**HINWEIS:** Heiße Temperaturen führen zu einer Ausdehnung des Rings, was zu Beschädigungen führen kann. Lassen Sie etwas Raum für die Ausdehnung. Für Hilfestellung oder Fragen & Antworten besuchen Sie bitte den entsprechenden Abschnitt unserer Webseite, [www.bestwaycorp.com](http://www.bestwaycorp.com).

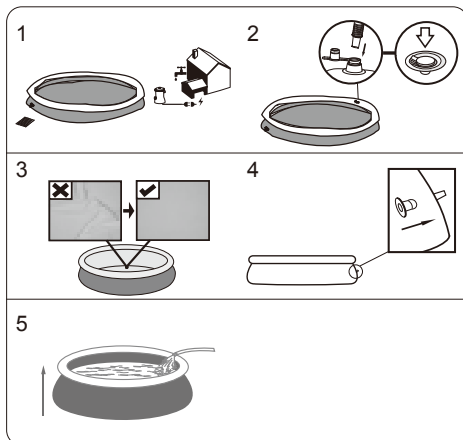
## POOLWARTUNG

Bei Nichtbeachtung der unten stehenden Wartungsanweisungen besteht Gefahr für Ihre Gesundheit, vor allem für die Ihrer Kinder.

**Einsatz von Chemikalien-Tabletten (nicht enthalten):**

**BITTE BEACHTEN:** Warten Sie Ihren Pool mit Chemikalien in Tablettenform, verwenden Sie unbedingt einen Dosierschwimmer oder

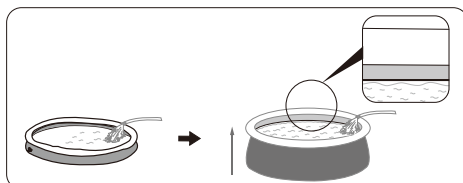
**HINWEIS:** Die Zeichnungen dienen lediglich Illustrationszwecken. Möglicherweise ist nicht das vorliegende Produkt dargestellt. Nicht maßstabsgetreu.



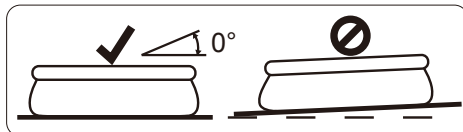
## FÜLLEN DES POOLS MIT WASSER

**ACHTUNG:** Lassen Sie den Pool während des Einfüllens des Wassers nicht unbeaufsichtigt.

1. Füllen Sie den Pool bis zur Schweißnaht auf und achten Sie darauf, dass sich die Seitenwände vollständig aufrichten. Der Pool darf nicht **NICHT ÜBERMÄSSIG** befüllt werden, da dies zu einem Einsturz führen kann. Im Falle starker Regenfälle muss ein Teil des Wassers möglicherweise wieder Sie möglicherweise abgelassen werden, um so ein Überschreiten der maximal zulässigen Füllmenge zu verhindern.



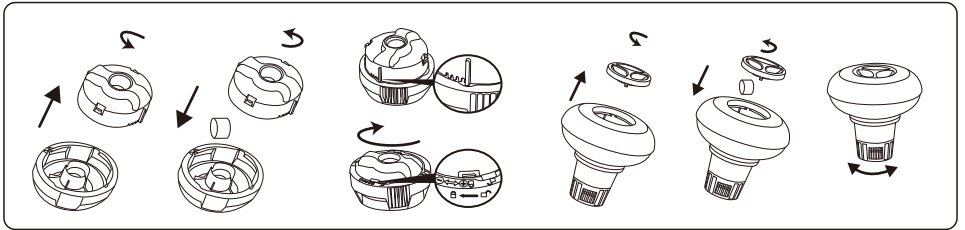
2. Nachdem der Pool vollständig befüllt ist, prüfen Sie, dass sich das Wasser nicht auf einer Seite sammelt, um zu gewährleisten, dass der Pool eben ist.



**WICHTIG:** Lassen Sie, wenn der Pool nicht eben ist, das Wasser ab und nivellieren Sie den Boden durch Aushub. Versuchen Sie nicht, den Pool mit darin befindlichem Wasser zu bewegen. Dabei kann es zu schweren Verletzungen oder Schäden am Pool kommen.

**ACHTUNG:** Ihr Pool kann sehr viel Druck enthalten. Wenn Ihr Pool Wölbungen oder unebene Seiten aufweist, dann ist der Pool nicht eben, so dass die Seiten platzen können und das Wasser sich plötzlich entleeren kann. Es besteht die Gefahr von ernsthaften Personen- und/oder Sachschäden.

Chemconnect Chemikaliendosierer. Enthält der von Ihnen erworbene Artikel keinen solchen Dosierer, können Sie ihn über unsere Webseite [www.bestwaycorp.com](http://www.bestwaycorp.com) oder bei einem entsprechenden Fachhändler in Ihrer Nähe kaufen.



**WICHTIG:** Verwenden Sie keine Granulat-Tabletten und werfen Sie keine Tabletten direkt ins Wasser. Die Chemikalien können sich am Boden absetzen, das Material beschädigen und das PVC verfärben.

#### Einsatz von Flüssigchemikalien (nicht enthalten):

**WICHTIG:** Geben Sie Flüssigchemikalien in kleinen Mengen in die Mitte des Pools, um den direkten Kontakt von Chemikalien und PVC-Oberfläche zu vermeiden. Direkter Kontakt kann das Material beschädigen und die Oberfläche verfärben.

**BITTE BEACHTEN:** Entfernen Sie den Chemikaliendosierer aus dem Pool, während Sie den Pool verwenden.

**WICHTIG:** Nach der Wartung des Pools mit Chemikalien verwenden Sie ein Testset (nicht enthalten), um die chemische Zusammensetzung des Wassers zu testen, bevor Sie den Pool verwenden. Wir empfehlen die Pflege Ihres Poolwassers entsprechend der folgenden Tabelle.

Parameter	Werte
Klarheit des Wassers	Klare Sicht auf den Poolboden
Farbe des Wassers	Es sollte keine Färbung erkennbar sein
Trübung in FNU/NTU	max. 1,5 (möglichst geringer als 0,5)
Nitratkonzentration über der des Füllwassers in mg/l	max. 20
Gesamter organischer Kohlenstoff (TOC) in mg/l	max. 4,0
Redoxpotential gegen Ag/AgCl 3,5 m KCl in mV	min. 650
pH-Wert	6,8 bis 7,6
Freies, aktives Chlor (ohne Cyanursäure) in mg/l	0,3 bis 1,5
Freies Chlor in Kombination mit Cyanursäure in mg/l	1,0 bis 3,0
Cyanursäure in mg/l	max. 100
Gebundenes Chlor in mg/l	max. 0,5 (möglichst nahe 0,0 mg/l)

**BITTE BEACHTEN:** Schäden aus chemischem Ungleichgewicht sind von der Garantie nicht abgedeckt. Poolchemikalien sind potenziell giftig und sind mit Sorgfalt zu behandeln. Chemische Dämpfe sowie fehlerhafte Beschriftung und Lagerung von Chemikalienbehältern stellen ernsthafte Risiken für die Gesundheit dar. Bitte erkundigen Sie sich bei Ihrem örtlichen Fachhändler nach weiteren Informationen zur Anwendung von Poolchemikalien. Beachten Sie die Anweisungen des Chemikalienherstellers genau. Schäden am Pool aus Missbrauch von Chemikalien und falscher Behandlung des Poolwassers sind von der Garantie nicht abgedeckt. **WICHTIG:** Durch Überdosierung von Chemikalien können sich der Aufdruck und beliebige Stellen des Poolmaterials verfärben. Die Poolfolie kann auch strukturellen Schaden nehmen.

#### So halten Sie Ihren Pool sauber:

1. Kontaktieren Sie Ihren örtlichen Fachhändler für Hinweise und den Kauf von Chemikalien und pH-Sets. Um die Langlebigkeit der Poolfolie zu gewährleisten, ist es besonders wichtig, das Wasser jederzeit in sauberem und gesundem Zustand zu halten. Bitte befolgen Sie die Anweisungen zur Wasserbehandlung mit Chemikalien der Fachleute genau.
2. Halten Sie einen Eimer mit Wasser am Poolrand zum Reinigen der Füße vor der Benutzung des Pools bereit.
3. Wenn Sie den Pool nicht verwenden, decken Sie ihn ab.
4. Schöpfen Sie die Oberfläche des Poolwassers in regelmäßigen Abständen ab, um Schmutzablagerungen zu vermeiden.
5. Überprüfen und reinigen Sie die Filterkartusche in regelmäßigen Abständen.
6. Entfernen Sie vorsichtig Schaumablagerungen unterhalb des oberen Rings mit einem sauberen Tuch.
7. Lassen Sie bitte bezüglich Regenwasser Vorsicht walten und stellen Sie sicher, dass der Wasserstand nicht zu hoch ist. Ist dies der Fall, LASSEN SIE ÜBERSCHÜSSIGES WASSER AB.
8. Stellen Sie bei Regen sicher, dass der Wasserstand nicht höher als angegeben ist. Überschreitet der Wasserstand die Maximalanzeige, lassen Sie das Wasser bis zum angegebenen Füllstand ab.

#### Fachgerechte Wartung kann die Lebensdauer Ihres Pools verlängern.

Während der Poolsaison ist das Filtersystem täglich in Betrieb zu nehmen, und zwar so lange, bis das Poolwasser mindestens einmal zur Gänze erneuert ist.

**BITTE BEACHTEN:** Die Pumpe dient der Umwälzung des Wassers und dem Herausfiltern kleinerer Partikel. Damit das Poolwasser sauber und hygienisch einwandfrei bleibt, sind Chemikalien hinzuzufügen.

## REPARATUR

Sollte ein Loch auftreten, reparieren Sie es mit dem mitgelieferten wasserfesten Reparaturflicken. Hinweise dazu entnehmen Sie den Fragen & Antworten auf unserer Webseite, [www.bestwaycorp.com](http://www.bestwaycorp.com).

## DEMONTAGE

1. Schrauben Sie die Kappe des Ablassventils gegen den Uhrzeigersinn ab und entfernen Sie die Kappe.
2. Verbinden Sie den Adapter mit dem Schlauch und bringen Sie das andere Ende in dem Bereich an, in den Sie das Poolwasser ableiten möchten. (Halten Sie sich an die örtlichen Bestimmungen und Verordnungen zur Wasserableitung).
3. Schrauben Sie den Steuerring des Schlauchadapters im Uhrzeigersinn auf das Ablassventil. Das Ablassventil öffnet sich und das Wasser wird automatisch abgelassen. Öffnen Sie das Ablassventil bis zur Maximalposition.
4. Lassen Sie die Luft aus dem oberen Ring ab, indem Sie das Luftventil zusammendrücken.
5. Wenn die Luft aus dem oberen Ring vollständig abgelassen ist, drücken Sie den oberen Ring herunter und halten Sie ihn geneigt, um das Wasser abzulassen. Lassen Sie das Wasser vollständig aus dem Pool ablaufen.
6. Schrauben Sie nach dem Ablassen des Wassers den Steuerring ab, um das Ventil zu schließen.
7. Entfernen Sie den Schlauch.
8. Schrauben Sie den Deckel wieder auf das Ablassventil.
9. Lassen Sie den Pool an der Luft trocknen.

## LAGERUNG

1. Entfernen Sie sämtliches Zubehör und alle Ersatzteile vom Pool und lagern Sie diese sauber und trocken.
2. Ist der Pool vollständig getrocknet, bestäuben Sie ihn mit Talkumpuder, um ein Zusammenhaften zu vermeiden, und falten Sie den Pool vorsichtig zusammen. Ist der Pool nicht vollständig getrocknet, kann sich Schimmel bilden, der die Innenverkleidung des Pools beschädigt.
3. Lagern Sie die Innenverkleidung und das Zubehör an einem trockenen Ort bei gemäßigten Temperaturen zwischen 5 °C / 41 °F und 38 °C / 100 °F.
4. Während der Regenzeit müssen der Pool sowie alle Zubehörteile auch wie oben ausgeführt gelagert werden.
5. Eine unsachgemäße Entleerung des Pools kann zu ernsthaften Personen- und/oder Sachschäden führen.
6. Wir empfehlen dringend, den Pool außerhalb der Badesaison (während der Wintermonate) abzubauen. Lagern Sie ihn an einem trockenen Ort außerhalb der Reichweite von Kindern.

**Vielen Dank für Ihren Kauf eines Bestway Produktes! ( DE )**

Verlängern Sie Jetzt **kostenlos** die Garantie Ihres Produktes!  
Registrieren Sie Ihr Produkt innerhalb von 30 Tagen nach Kaufdatum und in nur wenigen Minuten erhalten Sie eine kostenlose Verlängerung der Herstellergarantie um 6 Monate!

Besuchen Sie sofort **WWW.BESTWAYREGISTRIERUNG.DE**

und registrieren Ihr Produkt!

Diese Möglichkeit der Garantieverlängerung gilt nur in folgenden Ländern:  
Deutschland, Belgien, Frankreich, Italien, Luxemburg, Spanien.



## FAST SET™ ZWEMBADEN GEBRUIKERSHANDLEIDING

Bezoek het Bestway YouTube-kanaal 

### WAARSCHUWING

Lees, begrijp en volg zorgvuldig alle informatie in deze gebruikershandleiding vooraleer het zwembad te installeren en te gebruiken. Deze waarschuwingen, instructies en veiligheidsrichtlijnen gaan over sommige courante risico's van waterrecreatie, maar ze omvatten niet alle risico's en gevaren in alle gevallen. Wees altijd voorzichtig en gebruik gezond verstand en beoordelingsvermogen wanneer u van wateractiviteiten geniet. Bewaar deze informatie voor toekomstig gebruik.

### Veiligheid van niet-zwemmer

- Continu, actief en waakzaam toezicht van zwakke zwemmers en niet-zwemmers door een competente volwassene is altijd vereist (denk eraan dat kinderen onder de vijf jaar oud het hoogste risico op verdrinking lopen).
- Duid een competente volwassene aan om toezicht te houden op het zwembad telkens wanneer het gebruikt wordt.
- Zwakke zwemmers of niet-zwemmers zouden persoonlijke beschermingsuitrusting moeten dragen wanneer ze het zwembad gebruiken.
- Wanneer het zwembad niet in gebruik is of er geen toezicht is, verwijder alle speelgoed uit het zwembad en zijn omgeving om te vermijden kinderen aan te trekken naar het zwembad.

### Veiligheidsmiddelen

- Ten einde verdrinking van kinderen te vermijden, is het aanbevolen om de toegang tot het zwembad te beveiligen met een beschermingselement. Ten einde te voorkomen dat kinderen van de invoer- en afvoerklappen klimmen, is het aanbevolen een barrière te installeren (en alle deuren en vensters waar van toepassing te beveiligen) om onbevoegde toegang tot het zwembad te voorkomen.
- Barrières, zwembadafdekkingen, zwembadalarmen of gelijkaardige veiligheidsmiddelen zijn nuttige hulpmiddelen, maar het zijn geen vervangingen voor een continu en competent toezicht door volwassenen.

### Veiligheidsapparatuur

- Het is aanbevolen om reddingsapparatuur (bijv. een ring-boei) nabij het zwembad te hebben.
- Houd ook een werkende telefoon en een lijst met noodnummers nabij het zwembad.

### Veilig gebruik van het zwembad

- Moedig alle gebruikers vooral kinderen aan om te leren zwemmen
- Leer om te reanimeren (cardiopulmonaire reanimatie - CPR) en vernieuw deze kennis regelmatig. Dit kan een levensreddend verschil uitmaken in een noodgeval.
- Onderricht alle zwembadgebruikers, inbegrepen kinderen, wat te doen in een noodgeval
- Duik nooit in ondiep water. Dit kan leiden tot ernstige verwondingen of tot de dood.
- Gebruik het zwembad niet wanneer u alcohol of medicatie gebruikt die uw vermogen om het zwembad veilig te gebruiken, zou kunnen aantasten.
- Wanneer zwembadafdekkingen gebruikt worden, verwijder deze volledig uit het wateroppervlak voor u in het zwembad gaat.
- Bescherm de zwembadgebruikers tegen met water verband houdende ziekten door het zwembadwater behandeld te houden en goede hygiëne in acht te nemen. Raadpleeg de richtlijnen voor waterbehandeling in de gebruikershandleiding.
- Bewaar chemicaliën (bijv. voor waterbehandeling of reinigings- en

- ontsmettingsproducten) buiten het bereik van kinderen.
- Gebruik de aanduidingsborden zoals hieronder aangegeven. Er moeten aanduidingsborden staan in een prominente positie binnen de 2m van het zwembad.



Houd de kinderen onder toezicht in de wateromgeving. Niet duiken.

- Er moeten verwijderbare ladders staan op een horizontaal oppervlak.
- Ongeacht de gebruikte materialen voor de zwembadconstructie, moeten de toegankelijke oppervlakken regelmatig gecontroleerd worden om verwondingen te vermijden.
- Controleer regelmatig bouten en schroeven, verwijder splinters of andere scherpe randen om verwondingen te vermijden.
- **AANDACHT:** Laat het leeggelopen zwembad niet buiten staan. Het lege zwembad kan vervormd en/of verplaatst worden omwille van de wind.
- Als u een filterpomp hebt, raadpleeg de handleiding van de pomp voor instructies.
- **WAARSCHUWING!** De pomp kan niet worden gebruikt wanneer er zich mensen in het zwembad bevinden!
- Als u een ladder hebt, raadpleeg de handleiding van de ladder voor instructies.
- **WAARSCHUWING!** Het gebruik van een zwembadkit impliceert het naleven van de veiligheidsinstructies beschreven in de gebruiks- en onderhoudshandleiding. Ten einde verdrinking of andere ernstige verwondingen te vermijden, moet u bijzondere aandacht verlenen aan de mogelijkheid van een onverwachte toegang tot het zwembad door kinderen jonger dan 5 jaar door de toegang ertoe te beveiligen en de kinderen tijdens het zwemmen voortdurend onder toezicht te houden van volwassenen.

### Zorgvuldig lezen en bewaren voor toekomstige referentie.

### KIES DE JUISTE LOCATIE

Het oppervlak dat is uitgekozen om het zwembad op neer te zetten, moet voldoen aan de volgende technische kenmerken:

1. Wanneer het gecombineerde gewicht van het water in het zwembad en de gebruikers van het zwembad, is het uiterst belangrijk dat het oppervlak dat is uitgekozen om het zwembad op neer te zetten in staat is om het totale gewicht gelijkmatig te dragen gedurende de gehele tijd dat het zwembad is geïnstalleerd. Houd er bij het kiezen van het oppervlak rekening mee dat er water uit het zwembad kan komen tijdens het gebruik of als het regent. Als het water het oppervlak zacht maakt, kan het niet meer in staat zijn om het gewicht van het zwembad te dragen.
2. We raden aan om het zwembad uit de buurt te plaatsen van objecten die kinderen kunnen gebruiken om in het zwembad te klimmen.
3. Plaats het zwembad in de buurt van een geschikt afvoersysteem om overlopend water te kunnen opvangen of het zwembad leeg te laten lopen.
4. Het oppervlak moet vlak en glad zijn. Als het oppervlak hellend of ongelijkmatig is, kan dat een ongelijkmatige belasting op de structuur van het zwembad veroorzaken. Die situatie kan het laspunt van de bekleding beschadigen en het frame doen verbuigen. In het slechtste geval kan het zwembad instorten en ernstig letsel en/of schade aan eigendommen veroorzaken.
5. Het geselecteerde oppervlak moet vrij zijn van alle soorten voorwerpen. Vanwege het gewicht van het water kan ieder voorwerp onder het zwembad de bodem van het zwembad beschadigen of perforeren.
6. Het geselecteerde oppervlak moet vrij zijn van woekerende planten en onkruid. Dat soort sterk groeiende vegetatie kan door de bekleding heen groeien en lekkage van water veroorzaken. Gras of andere planten die nare geuren of slijm

kunnen ontwikkelen, moeten worden verwijderd van de installatieplaats.

- De geselecteerde locatie mag niet onder hoogspanningsleidingen of bomen zijn. Controleer of er op die plaats geen ondergrondse buizen, leidingen of kabels lopen.
- De geselecteerde positie moet ver weg zijn van de ingang van het huis. Plaats geen apparatuur of meubels rondom het zwembad. Het water dat uit het zwembad komt tijdens het gebruik of vanwege een defect aan het product, kan de meubels in huis of rondom het zwembad beschadigen.
- Het geselecteerde oppervlak moet vlak en zonder gaten zijn die het materiaal of de bekleding kunnen beschadigen.

Volg de belangrijke instructies hierboven op om het juiste oppervlak en de juiste plaats te kiezen om uw zwembad op neer te zetten. Delen van het zwembad die beschadigd zijn omdat het oppervlak en de locatie van de installatie niet voldoen aan de instructies, worden niet beschouwd als fabricagefout en maken de garantie en alle eventuele reparatieclaims ongeldig.

**Aanbevolen oppervlakken voor installatie:** gras, aarde, beton en alle andere oppervlakken die voldoen aan de bovenstaande installatievoorwaarden.

**Niet-aanbevolen oppervlakken:** modder, zand, veranda, balkon, oprit, platform, zachte/losse aarde of andere oppervlakken die niet voldoen aan de bovenstaande installatievoorwaarden.

**OPMERKING:** Raadpleeg uw lokale regelgeving voor voorschriften betreffende omheiningen, barrières, verlichting en veiligheidsvereisten en zorg ervoor dat u aan de wetgeving voldoet.

**OPMERKING:** Als u een filterpomp hebt, raadpleeg dan de handleiding van de pomp voor instructies.

**OPMERKING:** Het trapje moet geschikt zijn voor de afmetingen van het zwembad en mag alleen worden gebruikt om het zwembad in en uit te gaan. Het is verboden om de toegestane belasting van het trapje te overschrijden. Controleer regelmatig of het trapje goed is bevestigd.

## INSTALLATIE

De installatie duurt meestal ongeveer 10 minuten met 2-3 mensen exclusief grondwerken en vullen.

Bestway kan niet aansprakelijk worden gesteld voor schade aan het zwembad die is veroorzaakt door een verkeerd gebruik of doordat deze instructies niet zijn opgevolgd.

**AANDACHT:** Gebruik geen hogedruk-luchtslang of blaas de bovenste ring niet teveel op, deze moet lichtjes stijf zijn bij aanraking.

**OPMERKING:** Gebruik geen verlengsnoeren om uw pomp op de stroom aan te sluiten.

**AANDACHT:** Trek het zwembad niet over de grond, dit kan het zwembad beschadigen.

**OPMERKING:** De onderkant of bodem van het zwembad moet goed uitgespreid liggen (vlak zonder rimpels)

**OPMERKING:** Door hoge temperaturen zet de lucht in de ring uit en kan er schade worden veroorzaakt. Laat enige ruimte over voor uitzetting. Voor assistentie of FAQ's kunt u de supportafdeling op onze website bezoeken op [www.bestwaycorp.com](http://www.bestwaycorp.com).

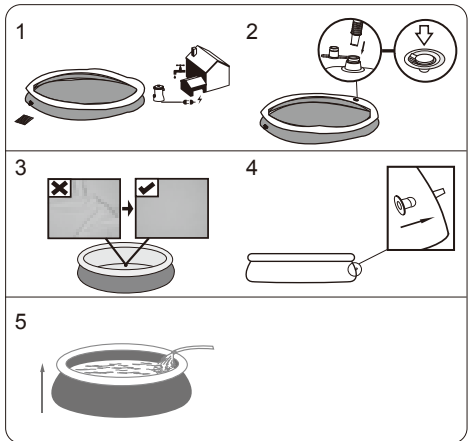
**OPMERKING:** Tekeningen enkel voor illustratiedoeleinden. Mogelijk geen weerspiegeling van het werkelijke product. Niet op schaal.

## ZWEMBADONDERHOUD

Als u zich niet houdt aan de onderstaande onderhoudsrichtlijnen, kan uw gezondheid, en met name die van uw kinderen, gevaar lopen.

**Gebruik van chemische tabletten (niet inbegrepen):**

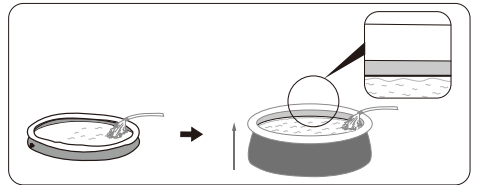
**OPMERKING:** Chemconnect of Chemical Floater moeten worden gebruikt wanneer u chemische onderhoud met tabletten uitvoert. Het door u aangekochte artikel mag geen van deze dispensers bevatten, in dit geval kunt u hem aanschaffen via onze website [www.bestwaycorp.com](http://www.bestwaycorp.com) of bij het dichtstbijzijnde zwembadverkooppunt.



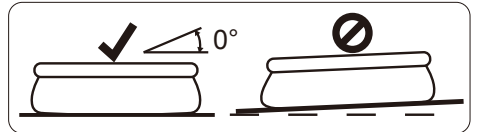
## HET ZWEMBAD VULLEN MET WATER

**OPGELET:** Laat het zwembad niet zonder toezicht wanneer het gevuld wordt met water.

1. Vul met water totdat de muur recht omhoog staat en het water de laslijn bereikt. **NIET OVERVULLEN.** aangezien dit ertoe kan leiden dat het zwembad instort. In tijden van hevige regenval kan het nodig zijn om een deel van het water te verwijderen om ervoor te zorgen dat het niveau correct is.

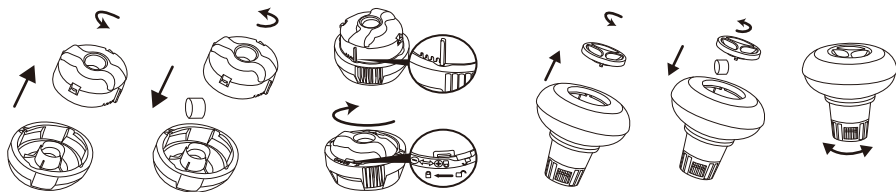


2. Wanneer het zwembad gevuld is, controleer of het water niet hoger staat aan een zijde van het zwembad.



**BELANGRIJK:** Is het zwembad niet genivelleerd is, wordt het water afgevoerd en de ondergrond uitgegraven. Probeer het zwembad nooit te verplaatsen wanneer er water in zit, om persoonlijke letsels of schade aan het zwembad te vermijden.

**WAARSCHUWING:** Uw zwembad kan heel wat druk bevatten. Als uw zwembad een uitstulping of ongelijke kant heeft, is het zwembad niet waterpas. De zijkanen kunnen dan openbarsten en er kan plots water weglopen wat ernstig persoonlijk letsel en/of schade aan eigendom kan veroorzaken.



**BELANGRIJK:** Gebruik geen korreltabletten en gooi de tablet niet direct in het water. De chemicaliën kunnen op de bodem gaan zitten en het materiaal beschadigen en het PVC ontkleuren.

**Gebruik van chemische vloeistoffen (niet inbegrepen):**

**BELANGRIJK:** Voeg chemische vloeistof in kleine doses en in het midden van het zwembad toe om direct contact tussen chemicaliën en het PVC oppervlak te vermijden. Direct contact kan het materiaal beschadigen en het oppervlak ontkleuren.

**OPMERKING:** Verwijder de chemicaliëndoseerder uit het zwembad wanneer het zwembad in gebruik is.

**BELANGRIJK:** Na het uitvoeren van chemisch onderhoud en voor het gebruik van het zwembad, gebruik een testkit (niet inbegrepen) om de waterchemie te testen. Wij adviseren het water te behouden zoals in de onderstaande tabel.

Parameters	Waarden
Waterhelderheid	duidelijk zicht van de bodem van het zwembad
Kleur van het water	er mag geen kleur worden geobserveerd
Turbiditeit in FNU/NTU	max. 1,5 (bij voorkeur minder dan 0,5)
Nitratconcentratie boven die van vulwater in mg/l	max. 20
Totaal organische koolstof (TOC) in mg/l	max. 4,0
Redoxpotentiaal tegen Ag/AgCl 3,5 m KCl in mV	min. 650
pH-waarde	6,8 tot 7,6
Vrij werkzaam chloor (zonder cyanuurzuur) in mg/l	0,3 tot 1,5
Vrij werkzaam chloor in combinatie met cyanuurzuur in mg/l	1,0 tot 3,0
Cyanuurzuur in mg/l	max. 100
Gecombineerd chloor in mg/l	max. 0,5 (bij voorkeur dicht bij 0,0 mg/l)

**OPMERKING:** Schade tengevolge van chemische onevenwichtigheid is niet gedekt door de garantie. Zwembadchemicaliën zijn potentieel giftig en moeten met zorg gehanteerd worden. Er zijn ernstige gezondheidsrisico's van chemische dampen de het incorrecte labelen en bewaren van chemische containers. Consulteer uw plaatselijke zwembadleverancier voor meer informatie over chemisch onderhoud. Volg nauwgezet de instructies van de fabrikant van de chemicaliën. Schade aan het zwembad tengevolge van het verkeerd gebruik van chemicaliën en verkeerd beheer van het zwembadwater is niet gedekt door de garantie.

**BELANGRIJK:** Overgebruik van chemicaliën kan de print en alle punten van het zwembadmateriaal doen verkleuren. Het kan ook de structuur van de zwembadbekleding beschadigen.

**HET ZWEMBAD SCHOON HOUDEN:**

1. Neem contact op met uw plaatselijke zwembadverkooppunt voor advies en aankoop van chemicaliën en PH-kits. Een van de belangrijkste factoren om de levensduur van de bekleding te doen toenemen is het water steeds schoon en gezond te houden. Volg daarom de instructies van professionele technici strikt op voor de waterbehandeling middels het gebruik van chemicaliën.
2. Plaats een emmer water naast het zwembad om de voeten van de gebruikers mee te wassen voordat ze het zwembad in stappen.
3. Dek het zwembad af wanneer het niet in gebruik is.
4. Skim het oppervlak van het zwembadwater regelmatig om vuilafzetting te voorkomen.
5. Controleer en spoel het filterpatroon regelmatig.
6. Maak van onder de bovenste ring zachtjes schoon en haal eventueel vuil weg met een schone doek.
7. Wees voorzichtig in geval van regenwater, controleer of het waterniveau niet hoger is dan verwacht. Indien dit het geval is, HET OVERTOLLIGE WATER AFVOEREN.
8. Als het regent, controleer dat het waterniveau niet hoger is dan het opgegeven niveau. Als het waterniveau het opgegeven niveau overschrijdt, voer dan water af tot het opgegeven niveau bereikt is.

**Correct onderhoud kan de levensduur van uw zwembad maximaliseren.**

Tijdens het seizoen waarin het zwembad gebruikt wordt, moet het filtersysteem noodzakelijkerwijs elke dag worden gebruikt, lang genoeg om ten minste een complete verversing van het hele watervolume te garanderen.

**OPMERKING:** De pomp wordt gebruikt om het water te circuleren en om de kleine deeltjes te filteren. U moet ook chemicaliën toevoegen om uw water proper en hygiënisch te houden.

**REPARATIE**

In het geval van een lek, repareer uw zwembad met behulp van de bijgeleverde heavy-duty reparatiepatch voor onderwater. U kunt de instructies in de FAQ vinden in de supportafdeling van onze website, [www.bestwaycorp.com](http://www.bestwaycorp.com).

## DEMONTAGE

1. Schroef de afvoerklepdop tegen de klok in los en verwijder.
2. Sluit de adapter aan op de slang. Plaats het andere uiteinde van de slang in een gebied waar het water afgevoerd zal worden. (Controleer de plaatselijke regelgeving voor afvoerschriften).
3. Schroef de bedieningsring van de slangadapter met de klok mee op de afvoerklep. De afvoerklep zal open gaan en water zal automatisch afgevoerd worden. Open de afvoerklep naar de maximum positie.
4. Laat de lucht leegstromen uit de bovenste ring door op de luchtklep te drukken.
5. Wanneer de bovenste ring volledig leeg is, druk deze naar beneden en kantel voor een eenvoudige afvoer. Laat het water in het zwembad volledig weglopen.
6. Wanneer de afvoer voltooid is, schroef de bedieningsring los om de klep te sluiten.
7. Koppel de slang los.
8. Schroef de dop terug op de afvoerklep.
9. Laat het zwembad aan de lucht drogen.

## OPBERGEN

1. Verwijder alle accessoires en reserveonderdelen van het zwembad en berg ze proper en droog op.
2. Wanneer het zwembad volledig droog is, besprenkel met talkpoeder om te vermijden dat het zwembad samenkleeft en vouw het zwembad dan zorgvuldig op. Als het zwembad niet volledig droog is, kan er schimmel ontstaan die de zwembadbekleding kan beschadigen.
3. Berg de bekleding en accessoires in een droge plaats op met een matige temperatuur tussen 5°C / 41°F and 38°C / 100°F.
4. Tijdens het regenseizoen moeten het zwembad en de accessoires ook volgens bovenstaande instructies worden opgeborgen.
5. Het zwembad op incorrecte wijze laten leeglopen kan ernstig persoonlijk letsel en/of schade aan persoonlijke eigendom veroorzaken.
6. We bevelen ten zeerste aan het zwembad te demonteren buiten het seizoen (tijdens de wintermaanden). Berg op in een droge plaats en buiten het bereik van kinderen.

**Bedankt dat U voor Bestway hebt gekozen !**

**BE/NL**

Ontvang onmiddellijk **gratis** de garantieverlenging voor uw aankoop !  
Registreer uw product binnen de 30 dagen na de aankoopdatum en wij geven u 6 maanden gratis garantieverlenging.

Bezoek **WWW.REGISTREERBESTWAY.BE** en registreer direct uw product !  
De territoriale uitbreiding van deze aanvullende garantie betreft de volgende landen : België, Luxemburg, Italië, Frankrijk, Duitsland en Spanje.



## PISCINES FAST SET™ NOTICE D'UTILISATION

Visitez la chaîne YouTube de Bestway 

### ATTENTION

Avant d'installer et d'utiliser, la piscine, veuillez lire attentivement, assimiler et respecter toutes les informations contenues dans cette notice d'utilisation. Ces avertissements, instructions et consignes de sécurité portent sur certains des risques usuels associés aux loisirs aquatiques, mais ils ne peuvent pas couvrir la totalité des risques et dangers dans tous les cas. Faites toujours preuve de prudence, de discernement et de bon sens lors des activités aquatiques. Conservez ces informations afin de pouvoir vous y référer ultérieurement.

#### Sécurité des non-nageurs

- Une surveillance attentive, active et continue par un adulte compétent des enfants qui ne savent pas bien nager et des non-nageurs est requise en permanence (en gardant à l'esprit que le risque de noyade est le plus élevé pour les enfants de moins de cinq ans).
- Désignez un adulte compétent pour surveiller le bassin à chaque fois qu'il est utilisé.
- Il convient que les enfants qui ne savent pas bien nager et les non-nageurs portent des équipements de protection individuelle lorsqu'ils utilisent la piscine.
- Lorsque le bassin n'est pas utilisé ou est sans surveillance, retirez tous les jouets de la piscine et ses abords afin de ne pas attirer les enfants vers le bassin.

#### Dispositifs de sécurité

- Pour éviter toute noyade d'enfant, il est recommandé de sécuriser l'accès au bassin par un dispositif de protection. Pour éviter que les enfants montent par la vanne d'entrée et de sortie, il est recommandé d'installer une barrière (et de sécuriser toutes les portes et fenêtres, le cas échéant) afin d'empêcher tout accès non autorisé à la piscine.
- Les barrières, couvertures, alarmes de piscines ou dispositifs de sécurité similaires sont des aides utiles, mais ils ne remplacent pas la surveillance continue par un adulte compétent.

#### Équipements de sécurité

- Il est recommandé de garder du matériel de sauvetage (une bouée, par exemple) près du bassin.
- Gardez un téléphone en parfait état de marche et une liste de numéros d'urgence à proximité du bassin.

#### Sécurité d'emploi de la piscine

- Incitez tous les utilisateurs, en particulier les enfants, à apprendre à nager.
- Apprenez les gestes qui sauvent (réanimation cardiopulmonaire) et remettez régulièrement à jour vos connaissances. Ces gestes peuvent sauver une vie en cas d'urgence.
- Expliquez aux utilisateurs de la piscine, enfants inclus, la procédure à suivre en cas d'urgence.
- Ne plongez jamais dans un plan d'eau peu profond, sous peine de blessures graves ou mortelles.
- N'utilisez pas la piscine sous l'emprise d'alcool ou de médicaments susceptibles de réduire votre capacité à utiliser la piscine en toute sécurité.
- Si la piscine est recouverte d'une couverture, retirez-la entièrement de la surface de l'eau avant d'entrer dans le bassin.
- Traitez l'eau de votre piscine et instaurez de bonnes pratiques d'hygiène afin de protéger les utilisateurs des maladies liées à

l'eau. Consultez les consignes de traitement de l'eau données dans la notice d'utilisation.

- Stockez les produits chimiques (produits de traitement de l'eau, de nettoyage ou de désinfection, par exemple) hors de portée des enfants.
- Utilisez les pictogrammes décrits ci-dessous. Les pictogrammes doivent être affichés dans une position visible à moins de 2 000 mm de la piscine.



Garder les enfants sous surveillance dans l'environnement aquatique. Ne pas plonger.

- Placez les échelles amovibles sur une surface horizontale.
- Quels que soient les matériaux utilisés pour la construction de la piscine, les surfaces accessibles doivent être régulièrement contrôlées afin d'éviter les blessures.
- Vérifiez régulièrement les boulons et les vis ; éliminez les écailles ou toute arête vive pour éviter les blessures.
- **ATTENTION** : Ne laissez pas la piscine vide à l'extérieur. La piscine vide est susceptible de se déformer et/ou d'être emportée par le vent.
- Si vous avez une pompe de filtration, reportez-vous à la notice d'instructions de la pompe.
- **ATTENTION** ! Il est interdit d'utiliser la pompe quand des gens se trouvent à l'intérieur de la piscine !
- Si vous avez une échelle, reportez-vous à la notice d'instructions de l'échelle.
- **ATTENTION** ! L'utilisation d'une piscine implique le respect des consignes de sécurité décrites dans la notice d'entretien et d'utilisation. Pour prévenir toute noyade ou autres blessures graves, accordez une attention particulière à la sécurisation de l'accès à la piscine pour les enfants de moins de 5 ans et, pendant la période de baignade, les maintenir en permanence sous la surveillance d'un adulte.

### À lire attentivement et à conserver pour consultation ultérieure.

#### CHOISISSEZ UN EMPLACEMENT CORRECT

La surface choisie pour installer la piscine doit respecter les caractéristiques techniques suivantes :

1. En raison du poids combiné de l'eau à l'intérieur de la piscine et des usagers de la piscine, il est extrêmement important que la surface choisie pour installer la piscine soit capable de supporter uniformément le poids total pendant tout le temps où la piscine sera installée. Lorsque vous choisissez la surface, tenez compte que de l'eau pourrait s'échapper de la piscine pendant l'utilisation ou en cas de pluie. Si l'eau ramollit la surface, celle-ci pourrait perdre sa capacité de soutenir le poids de la piscine.
2. Nous conseillons de positionner la piscine loin des objets que les enfants pourraient utiliser pour grimper dans la piscine.
3. Positionnez la piscine à proximité d'un système de drainage adéquat pour faire face à un éventuel débordement ou pour vider la piscine.
4. La surface doit être plane et lisse. Si la surface est inclinée ou irrégulière, la structure de la piscine pourrait se retrouver déséquilibrée par la charge. Cette situation peut endommager le point de soudure de la bache et tordre la structure. Dans les pires cas, la piscine peut s'effondrer, en provoquant des blessures graves et/ou des dégâts matériels.
5. La surface choisie doit être libérée de tout type d'objet. En raison du poids de l'eau, tout objet situé sous la piscine pourrait endommager et trouser le fond de la piscine.
6. La surface choisie doit être libérée des plantes agressives et des mauvaises herbes. Ces types de végétation résistante pourraient pousser à travers la bache et créer des fuites d'eau. L'herbe ou toute autre végétation qui pourrait provoquer la formation d'odeurs ou de vase doit être éliminée de l'emplacement choisi pour l'installation.



- Il ne doit pas y avoir de lignes de haute tension ni d'arbres au-dessus de l'emplacement choisi. Vérifiez que l'emplacement ne contienne pas de tuyaux, de lignes ou de câbles sous terre, quels qu'ils soient.
- La position choisie doit être éloignée de l'entrée de la maison. Ne placez aucun équipement ou autre meuble autour de la piscine. L'eau sortant de la piscine durant l'utilisation ou en raison d'un produit défectueux peut endommager le mobilier à l'intérieur de la maison ou autour de la piscine.
- La surface choisie doit être plane et dépourvue de trous qui peuvent endommager le matériau de la bache.

Suivez les consignes importantes ci-dessus pour choisir la bonne surface et le bon emplacement pour y installer votre piscine. Les parties endommagées de la piscine, en raison d'une surface d'installation et d'un emplacement ne correspondant pas aux instructions, ne seront pas considérées comme des vices de fabrication et rendront la garantie caduque et interdiront toute réclamation.

**Surfaces d'installation conseillées :** pelouse, terre, béton et toutes les autres surfaces qui respectent les conditions d'installation ci-dessus.

**Surfaces déconseillées :** boue, sable, gravier, terrasse en bois, balcon, sortie de garage, plateforme, terre meuble/friable ou autre surface ne correspondant pas aux conditions d'installation ci-dessus.

**REMARQUE :** Adressez-vous à votre mairie pour connaître les lois en vigueur en matière de clôtures, barrières, éclairage et exigences de sécurité, et vérifiez que vous respectez bien toutes ces lois.

**REMARQUE :** Si vous avez une pompe de filtration, reportez-vous à la notice d'instructions de la pompe.

**REMARQUE :** L'échelle doit être adaptée à la taille de la piscine et ne doit être utilisée que pour entrer et sortir de la piscine. Il est interdit de dépasser la charge admissible de l'échelle. Vérifiez régulièrement que l'échelle soit montée correctement.

## INSTALLATION

L'installation prend habituellement 10 minutes environ avec 2-3 personnes, à l'exclusion des ouvrages de terre et du remplissage.

Bestway ne peut être tenue pour responsable des dégâts provoqués à la piscine suite à des erreurs de manipulation ou au non-respect de ces instructions.

**ATTENTION :** N'utilisez pas un tuyau d'air sous haute pression ou ne gonflez pas trop le boudin du haut, il doit être légèrement ferme au toucher.

**REMARQUE :** N'utilisez pas de rallonge pour alimenter votre pompe.

**ATTENTION :** Ne traînez pas la piscine sur le sol car cela peut l'abîmer.

**REMARQUE :** La base ou le fond de la piscine doit être étalé correctement (plat sans plis)

**REMARQUE :** Les températures élevées entraînent l'expansion du boudin à cause de l'air et cela peut provoquer des dégâts. Laissez de la place pour une éventuelle expansion. Si vous avez besoin d'aide ou si vous souhaitez consulter les FAQ, veuillez visiter la section assistance de notre site web, [www.bestwaycorp.com](http://www.bestwaycorp.com).

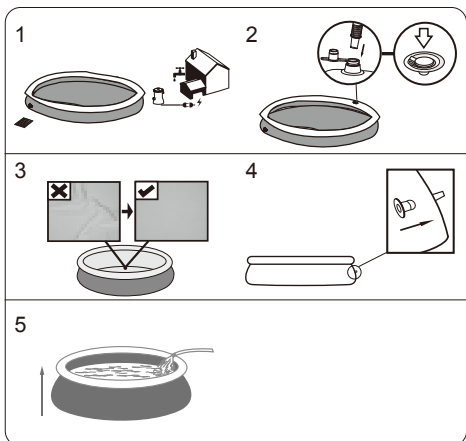
**REMARQUE :** Les dessins ne sont qu'à titre d'illustration. Il peut arriver qu'ils ne reflètent pas le produit réel. Pas à l'échelle.

## ENTRETIEN DE LA PISCINE

Si vous ne respectez pas les consignes d'entretien ci-dessous, vous mettez en danger votre santé, et en particulier celle de vos enfants.

**Utilisation de comprimés chimiques (non inclus) :**

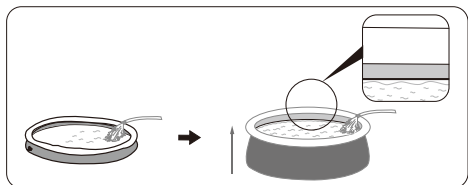
**REMARQUE :** Le diffuseur Chemconnect ou le flotteur chimique doit être utilisé lorsque vous effectuez l'entretien chimique avec des comprimés. L'article que vous avez acheté peut ne comprendre aucun de ces diffuseurs. Dans ce cas-là, vous devez l'acheter en visitant notre site web [www.bestwaycorp.com](http://www.bestwaycorp.com) ou chez le revendeur de piscines le plus proche.



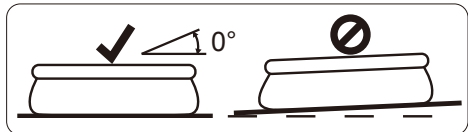
## REMPLIR D'EAU LA PISCINE

**ATTENTION :** Ne laissez pas la piscine sans surveillance quand vous la remplissez d'eau.

- Remplissez l'eau jusqu'à ce que la paroi soit droite et que l'eau atteigne la ligne de soudure. **NE PAS TROP LA REMPLIR**, car la piscine pourrait s'effondrer. En cas de fortes pluies, vous devrez peut-être vider une partie de l'eau pour vous assurer que le niveau est correct.

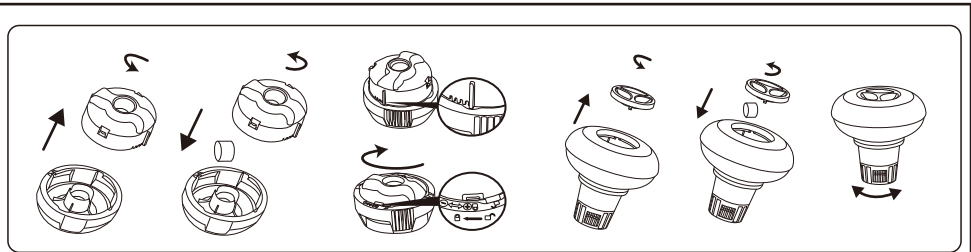


- Lorsque le remplissage de la piscine est achevé, contrôlez que l'eau ne se rassemble pas d'un côté pour s'assurer que la piscine est bien nivelée.



**IMPORTANT :** Si la piscine n'est pas nivelée, enlevez l'eau et nivelez de nouveau le sol en le creusant. N'essayez jamais de déplacer la piscine avec de l'eau à l'intérieur, cela pourrait provoquer de graves blessures ou endommager la piscine.

**ATTENTION :** Votre piscine peut contenir une forte pression. Si votre piscine est bombée ou présente un côté irrégulier cela veut dire qu'elle n'est pas à niveau, les côtés pourraient exploser et l'eau pourrait se vider à l'improviste en provoquant des blessures graves et/ou des dégâts matériels.



**IMPORTANT :** N'utilisez pas de comprimés en granulés et ne jetez pas le comprimé directement dans l'eau. Les produits chimiques peuvent se déposer au fond, endommager le matériau et décolorer le PVC.

**Utilisation de liquide chimique (non inclus) :**

**IMPORTANT :** Ajoutez le liquide chimique en petites doses et au centre de la piscine pour éviter tout contact direct entre le produit chimique et la surface du PVC. Tout contact direct peut endommager le matériau et décolorer la surface.

**REMARQUE :** Sortez le diffuseur de produits chimiques de la piscine lorsque vous utilisez la piscine.

**IMPORTANT :** Après avoir effectué le traitement chimique et avant d'utiliser la piscine, servez-vous d'un kit d'essai (non fourni avec) pour tester les propriétés chimiques de l'eau. Nous recommandons de maintenir l'eau conformément au tableau suivant.

Paramètres	Valeurs
Clarté de l'eau	le fond de la piscine est clairement visible
Couleur de l'eau	on ne doit remarquer aucune couleur de l'eau
Turbidité en FNU/NTU	1,5 maxi (de préférence inférieure à 0,5)
Concentration de nitrates supérieure à celle de l'eau de remplissage en mg/l	20 maxi
Carbone organique total (COT) en mg/l	4,0 maxi
Potentiel d'oxydo-réduction par rapport à Ag/AgCl 3,5 m KCl en mV	650 mini
Valeur du pH	de 6,8 à 7,6
Chlore actif libre (sans acide cyanurique) en mg/l	de 0,3 à 1,5
Chlore libre utilisé combiné avec de l'acide cyanurique en mg/l	de 1,0 à 3,0
Acide cyanurique en mg/l	100 maxi
Chlore combiné en mg/l	0,5 maxi (de préférence proche de 0,0 mg/l)

**REMARQUE :** La garantie ne couvre pas les dégâts provoqués par un déséquilibre chimique. Les produits chimiques pour piscine sont potentiellement toxiques et doivent être manipulés en faisant attention. Il existe des risques sérieux pour la santé dérivant des vapeurs chimiques ainsi que de l'étiquetage et du stockage incorrects des récipients chimiques. Veuillez vous adresser au concessionnaire de piscine le plus proche pour plus d'informations au sujet de la maintenance chimique. Lisez attentivement les instructions du producteur de produits chimiques. La garantie ne couvre pas les dégâts occasionnés à la piscine suite à une utilisation incorrecte des produits chimiques et à une mauvaise gestion de l'eau de la piscine.

**IMPORTANT :** L'utilisation excessive de produits chimiques peut décolorer l'imprimé et tous les points du matériau de la piscine. Elle peut également endommager la structure de la bache de piscine.

**Pour maintenir votre piscine propre :**

1. Adressez-vous au magasin de produits de piscine le plus proche pour obtenir des conseils et acheter des produits chimiques et des kits pour mesurer le pH. L'un des facteurs les plus importants pour augmenter la durée de vie de la bache consiste à maintenir l'eau toujours propre et saine. Veuillez suivre scrupuleusement les instructions des techniciens professionnels pour le traitement de l'eau en utilisant des produits chimiques.
2. Placez un seau d'eau à côté de la piscine pour que les utilisateurs se lavent les pieds avant d'entrer dans la piscine.
3. Couvrez la piscine quand vous ne l'utilisez pas.
4. Écumez la piscine régulièrement pour éviter que la saleté s'installe.
5. Contrôlez et lavez régulièrement la cartouche de filtration.
6. Nettoyez délicatement la mousse sous le boudin du haut avec un chiffon propre.
7. Faites attention quand il pleut en vérifiant que l'eau ne dépasse pas le niveau prévu. Si c'est le cas, VOUS DEVEZ VIDANGER L'EXCÉDENT D'EAU.
8. S'il pleut, vérifiez que le niveau de l'eau ne dépasse pas le niveau indiqué. Si l'eau dépasse les niveaux indiqués, vidangez la piscine jusqu'au niveau indiqué.

**Un bon entretien peut optimiser la durée de vie de votre piscine.**

Durant la saison d'utilisation de la piscine, le système de filtration doit être nécessairement mis en service tous les jours pendant suffisamment longtemps pour garantir au moins un renouvellement complet du volume de l'eau.

**REMARQUE :** La pompe sert à faire circuler l'eau et à filtrer les petites particules. Pour que l'eau de votre piscine reste propre et saine, vous devez également ajouter des produits chimiques.

## RÉPARATION

En cas de fuite, réparez votre piscine au moyen de la rustine résistante fournie. Vous pouvez trouver les instructions dans les FAQ dans la section assistance de notre site web, [www.bestwaycorp.com](http://www.bestwaycorp.com).

## DÉMONTAGE

1. Dévissez le capuchon de la vanne de vidange dans le sens contraire des aiguilles d'une montre et enlevez-le.
2. Raccordez l'adaptateur sur le tuyau et placez l'autre extrémité du tuyau dans la zone où vous souhaitez vidanger votre piscine. (consultez les règlements locaux pour connaître les lois en matière de vidange).
3. Vissez la rondelle de contrôle de l'adaptateur du tuyau sur la vanne de vidange dans le sens des aiguilles d'une montre. La vanne de vidange sera ouverte et l'eau commencera à se vider automatiquement. Ouvrez la vanne de vidange sur la position maximale.
4. Dégonflez le boudin du haut en pinçant la vanne d'air.
5. Quand le boudin du haut est entièrement dégonflé, appuyez sur le boudin du haut et faites-le basculer pour vidanger aisément la piscine. Vidangez complètement l'eau de la piscine.
6. Quand la vidange est terminée, dévissez la rondelle de contrôle pour fermer la vanne.
7. Débranchez le tuyau.
8. Revissez le capuchon sur la vanne de vidange.
9. Séchez la piscine.

## RANGEMENT

1. Enlevez tous les accessoires et toutes les pièces détachées de la piscine, puis rangez-les après les avoir lavés et séchés.
2. Une fois que la piscine est entièrement sèche, saupoudrez de talc afin d'éviter que la piscine colle et pliez-la soigneusement. Si la piscine n'est pas entièrement sèche, de la moisissure peut se former et endommager la bâche de la piscine.
3. Rangez la bâche et les accessoires au sec à une température modérée comprise entre 5 °C / 41 °F et 38 °C / 100 °F.
4. Pendant la saison des pluies, il faut ranger la piscine et ses accessoires comme cela est indiqué plus haut.
5. Une vidange incorrecte de la piscine peut provoquer des blessures graves et/ou des dégâts matériels.
6. Nous conseillons vivement de démonter la piscine hors saison (pendant l'hiver). Rangez-la au sec, hors de portée des enfants.



CONSIGNES POUVANT VARIER LOCALEMENT > [WWW.CONSIGNESDETRETRUF](http://WWW.CONSIGNESDETRETRUF)

## Merci d'avoir choisi Bestway !

FR

Obtenez immédiatement et **gratuitement** l'extension de garantie de votre achat !  
Enregistrez votre produit dans les 30 jours à compter de la date d'achat et nous vous offrons 6 mois d'extension gratuite de la garantie.

Visitez **WWW.ENREGISTREMENTBESTWAY.FR** et enregistrez immédiatement votre produit!

L'extension territoriale de la présente garantie supplémentaire concerne les pays suivants : France, Allemagne, Belgique, Espagne, Italie, Luxembourg.

## Merci d'avoir choisi Bestway !

BE/FR

Obtenez immédiatement et **gratuitement** l'extension de garantie de votre achat !  
Enregistrez votre produit dans les 30 jours à compter de la date d'achat et nous vous offrons 6 mois d'extension gratuite de la garantie.

Visitez **WWW.ENREGISTREMENTBESTWAY.BE** et enregistrez immédiatement votre produit!

L'extension territoriale de la présente garantie supplémentaire concerne les pays suivants : Belgique, France, Italie, Allemagne, Espagne.



For support please visit us at:  
[bestwaycorp.com/support](http://bestwaycorp.com/support)

**©2021 Bestway Inflatables & Material Corp.**

All rights reserved/Tous droits réservés/Todos los derechos reservados/Alle Rechte vorbehalten/Tutti i diritti riservati

Trademarks used in some countries under license from/

Marques utilisées dans certains pays sous la licence de/

Marcas comerciales utilizadas en algunos países bajo la licencia de/

Die Warenzeichen werden in einigen Ländern verwendet unter Lizenz der/

Marchi utilizzati in alcuni paesi concessi in licenza a

**Bestway Inflatables & Material Corp., Shanghai, China**

Manufactured, distributed and represented in the European Union by/

Fabriqué, distribués et représentés dans l'Union Européenne par/Fabricado, distribuido y representado en la Unión Europea por/

Hergestellt, vertrieben und in der Europäischen Union vertreten von/Prodotto, distribuito e rappresentato nell'Unione Europea da

**Bestway (Europe) S.r.l., Via Resistenza, 5, 20098 San Giuliano Milanese (Milano), Italy**

Distributed in Latin America by/Distribué en Amérique latine par/Distribuido en Latinoamérica por/Distribuido na América Latina por

**Bestway Central & South America Ltda, Salar Ascotan 1282, Parque Enea, Pudahuel, Santiago, Chile**

Distributed in Australia & New Zealand by **Bestway Australia Pty Ltd, Unit 2/98-104 Carnarvon St Silverwater, NSW 2128, Australia**

Tel: Australia: (+61) 29 0371 388; New Zealand: 0800 142 101

Distributed in United Kingdom by **Bestway Corp UK Ltd, 8 Wentworth Road, Heathfield Industrial Estate, Newton Abbot, Devon, TQ12 6TL**

Exported by/Exporté par/Exportado por/Exportiert von/Esportato da

**Bestway (Hong Kong) International Ltd./Bestway Enterprise Company Limited**

**Suite 713, 7/Floor, East Wing, Tsim Sha Tsui Centre, 66 Mody Road, Kowloon, Hong Kong**

Tel: +86 21 69135588 (For U.S. and Canada)

[www.bestwaycorp.com](http://www.bestwaycorp.com)