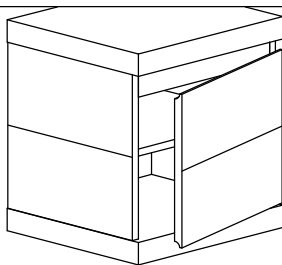
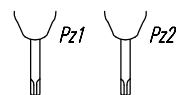
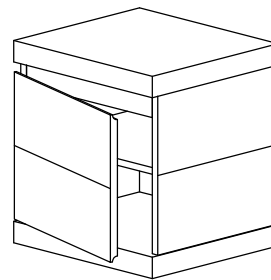


v.R



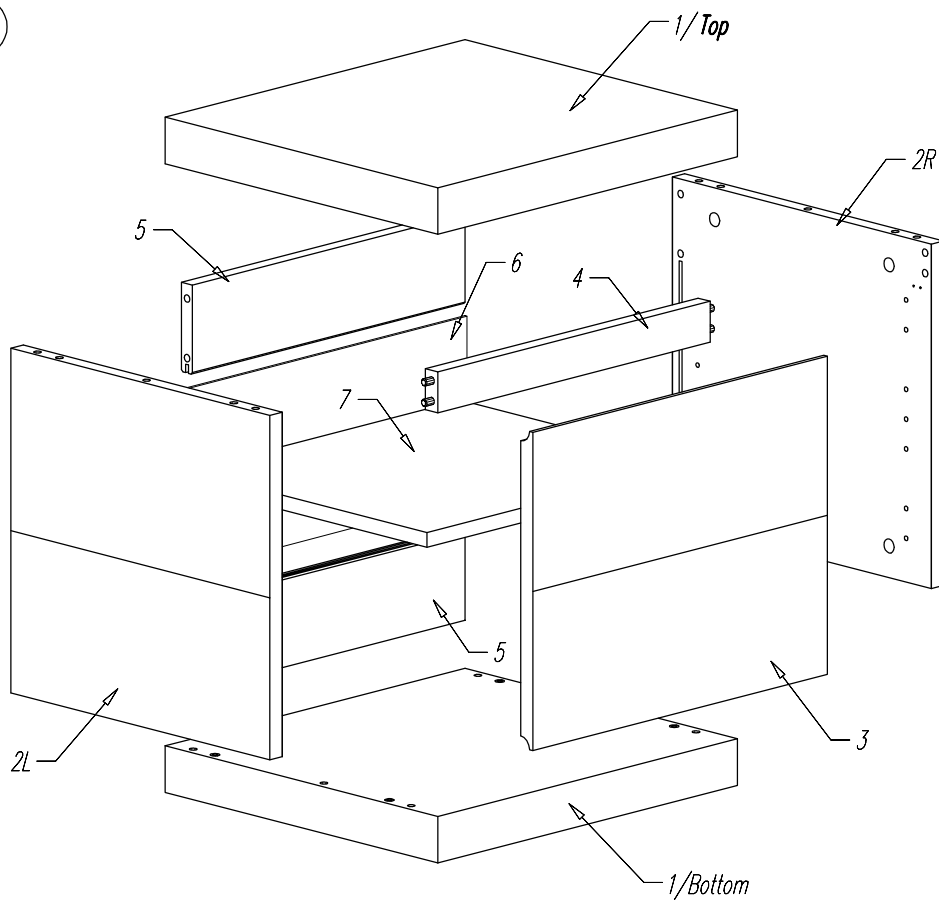
v.L



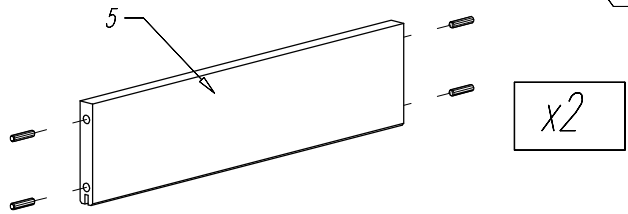
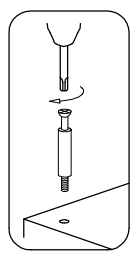
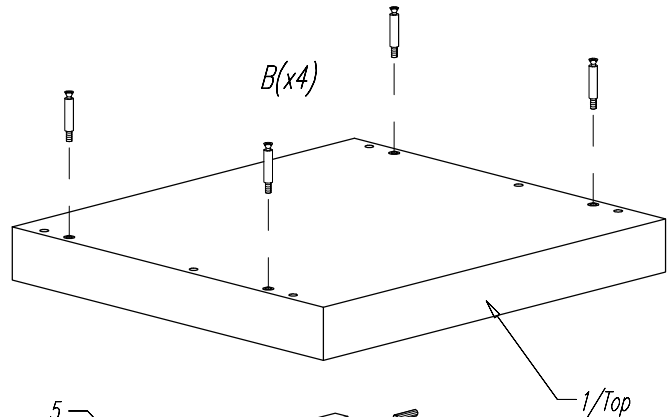
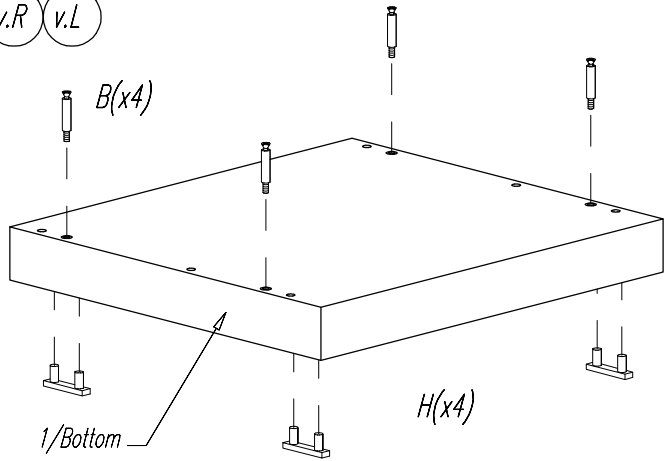
- | | | | | | | | | | | |
|------------------------------------|---------------|------------------------|----------------------------|-----------|---------------------------------|----------|----------|----------|----------|---------------------------------|
| A | B | C | D | E | F | G | H | I | J | K |
| | | | | | | | | | | |
| $\varnothing 7,8 \times 40$
x20 | L=34/M6
x8 | $\varnothing 15$
x8 | $\varnothing 35/h=0$
x2 | H=0
x2 | $\varnothing 4 \times 16$
x4 | x4 | x4 | x1 | x1 | $\varnothing 3 \times 12$
x2 |

LARA-NIGHT 4/2010

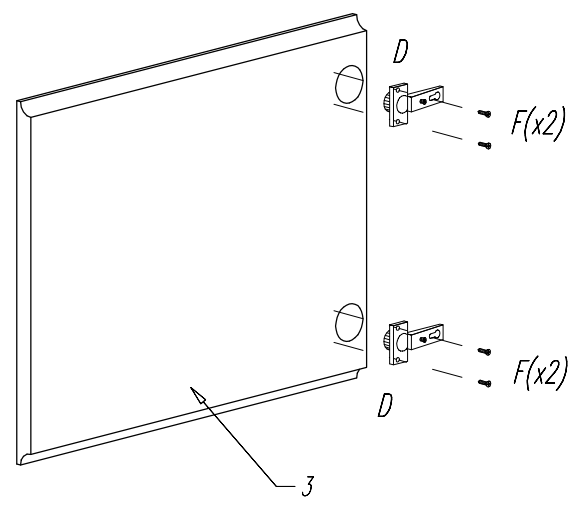
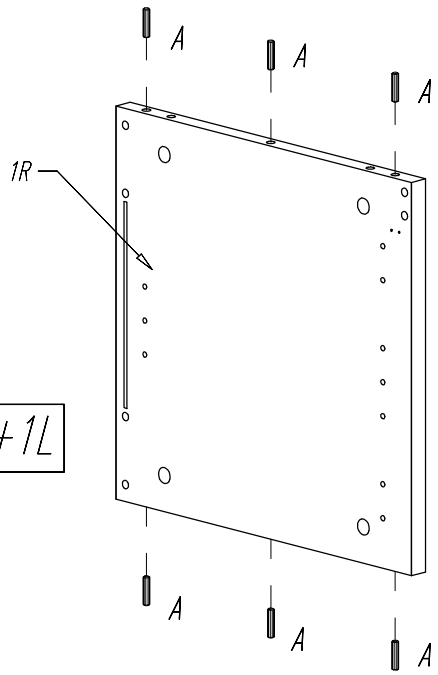
v.R v.L



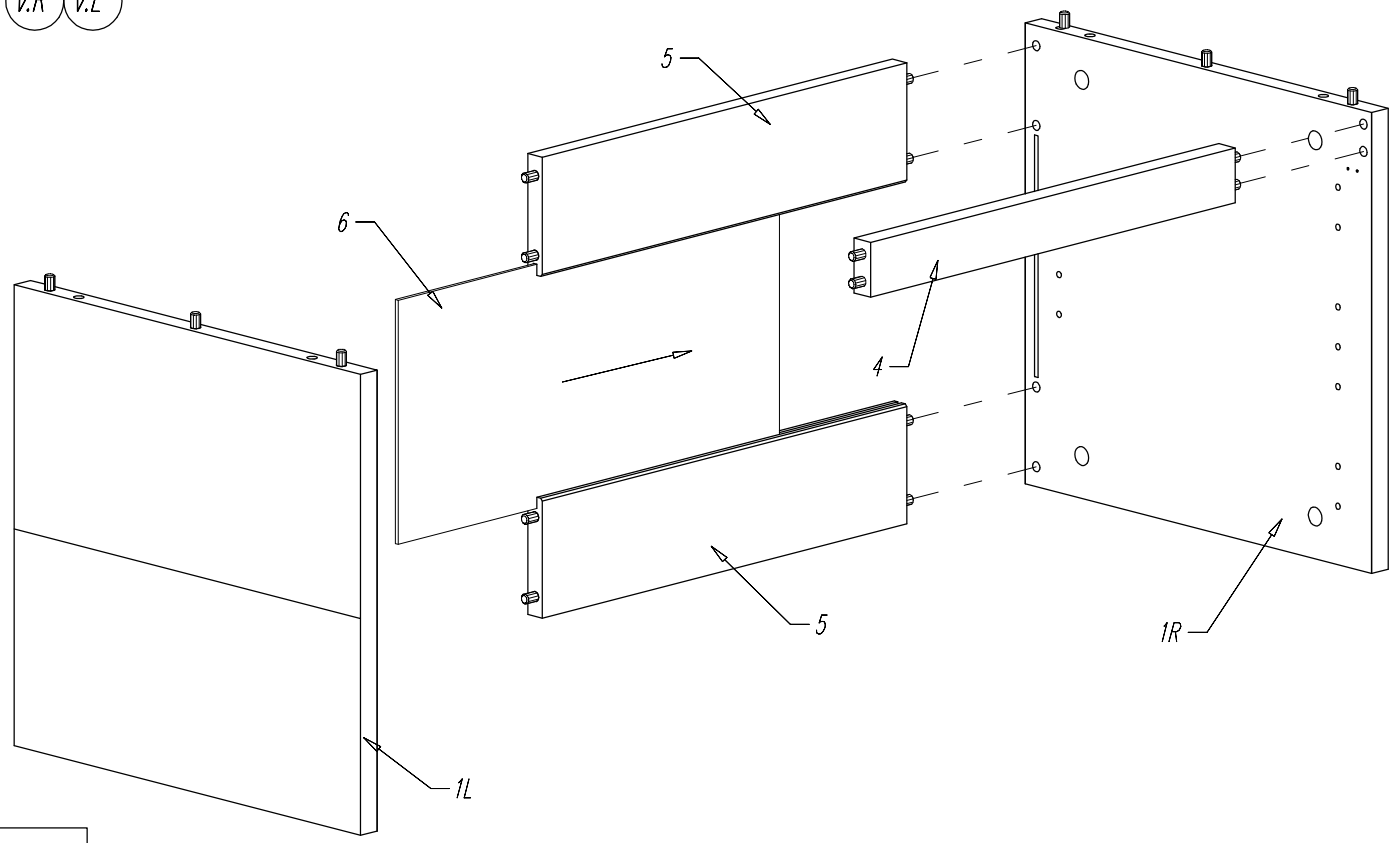
v.R v.L

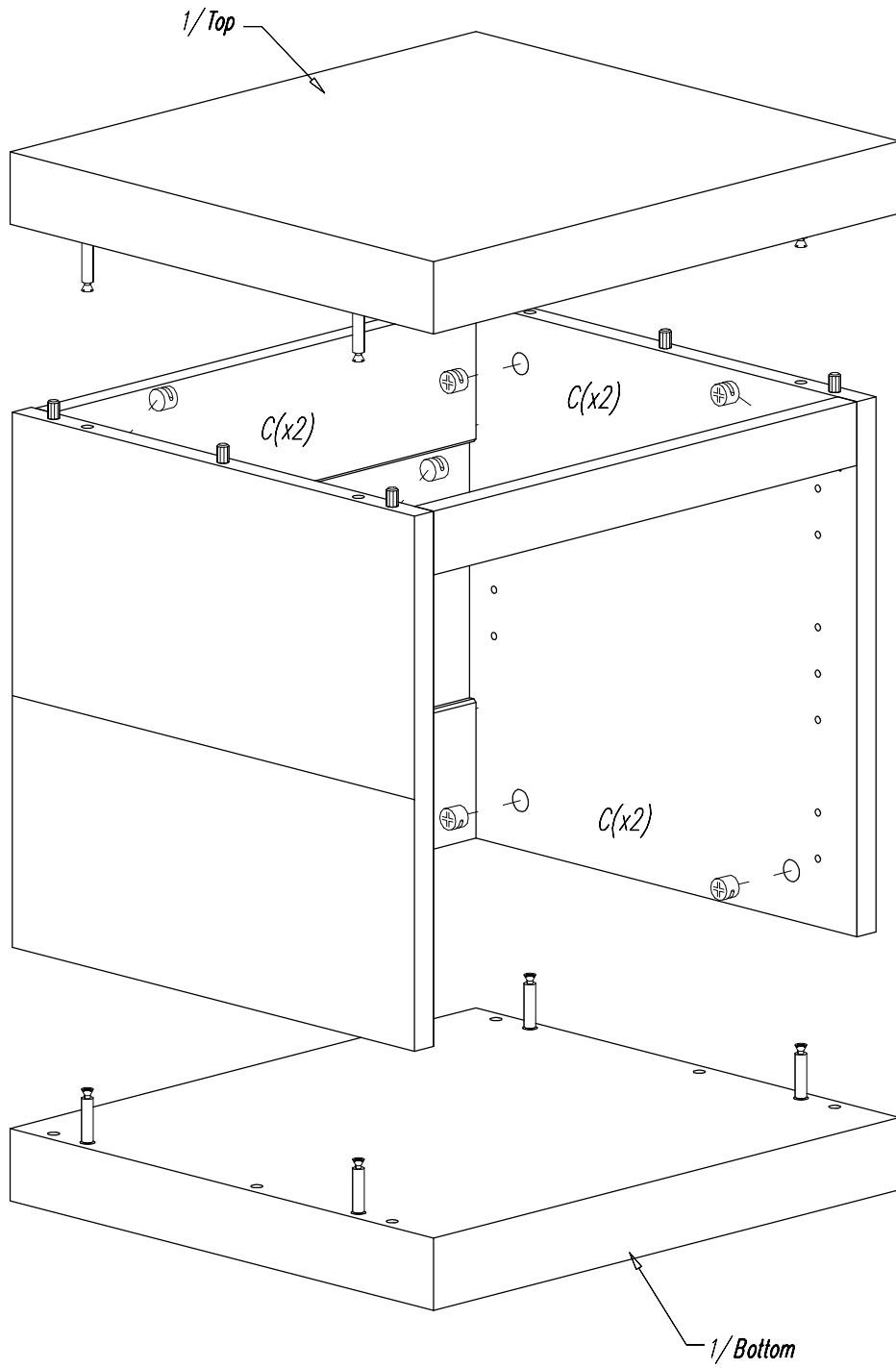
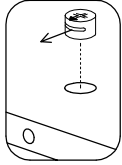


x1R+1L

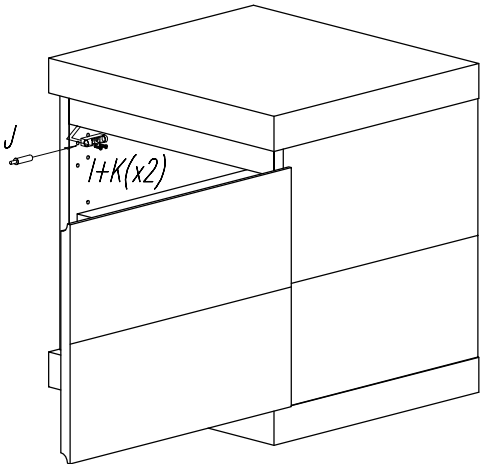
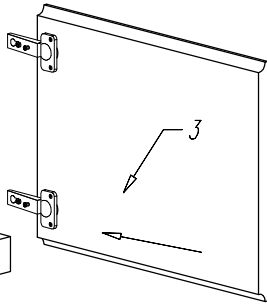
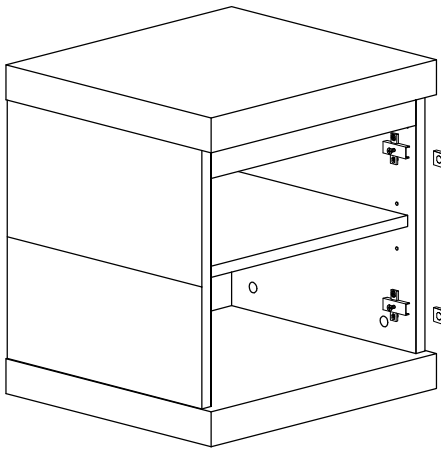
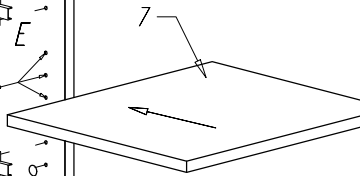
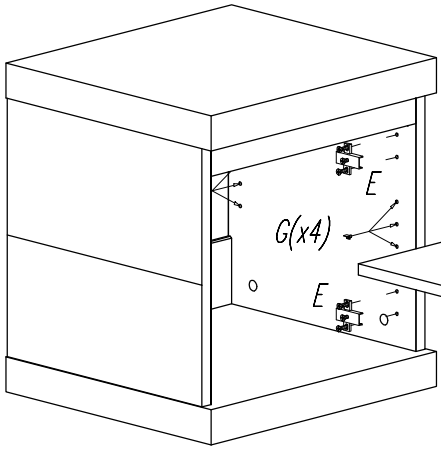
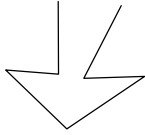
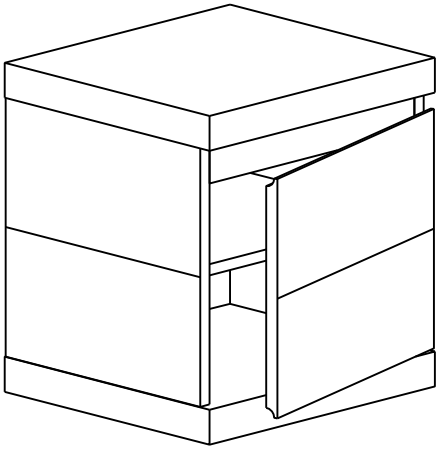


v.R v.L





v.R



v.L

