

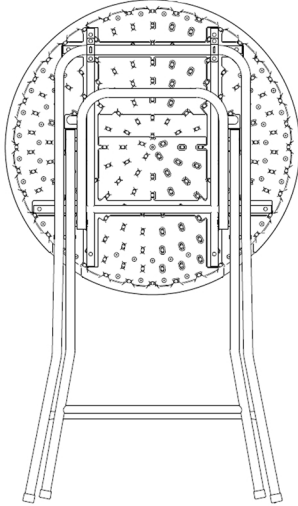
BAR TABLE FOLDABLE Ø 80CM - BT100

STATAFEL INKLAPBAAR Ø 80CM

TABLE MANGE-DEBOUT PLIANT Ø 80CM

STEHTISCH KLAPPBAR Ø 80CM

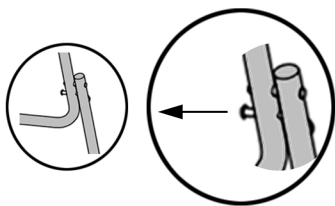
1



2



3



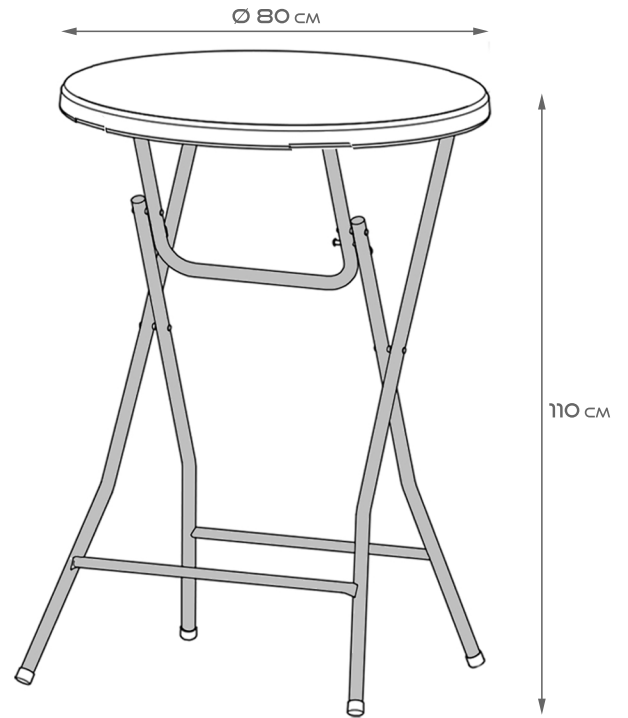
MAX WEIGHT:



MAX: 80 KG

Warning: Examine the item regularly for wear and tear and replace at first signs of damage or if parts become detached.
Pets can chew items unexpectedly, remove immediately if torn or damaged. Seek immediate veterinary attention if any material is ingested.
Keep the products away from fire or it may cause the serious fire or lost.

BRASQ®



Contents

- 1 X Folding table
- 1 X Manual

Safety Notices

- Never leave children unsupervised with the packaging material. Suffocation hazard.
- This product is not a climbing equipment or a toy! Ensure persons, particularly children, do not stand or pull up on the product. The product could tip over.

Risk of injury!

- Verify the product is sufficiently stable before use.
- Place the product on a level surface.
- Pay attention to fingers when opening and closing. Risk of injury due to crushing.
- Verify the folding mechanism is properly locked into place before using the product.
- Verify the product is fully expanded before using the product.
- The product may only be used with adult supervision, never use as a toy
- Check the product for damage and wear before every use.
- Never stand on the product.
- Never use the product near open fire.

Prevent property damage!

- Secure the product in extreme weather, e.g. high wind. Store the product in protected areas.
- We assume no liability for accidents due to failure to observe the above safety notices or improper handling.

Cleaning and care

Care information

Clean the article with a damp cloth and a mild detergent

Storage

We recommend that you always store the article in a dry, clean and temperature-controlled room in order to enjoy it as long as possible.

