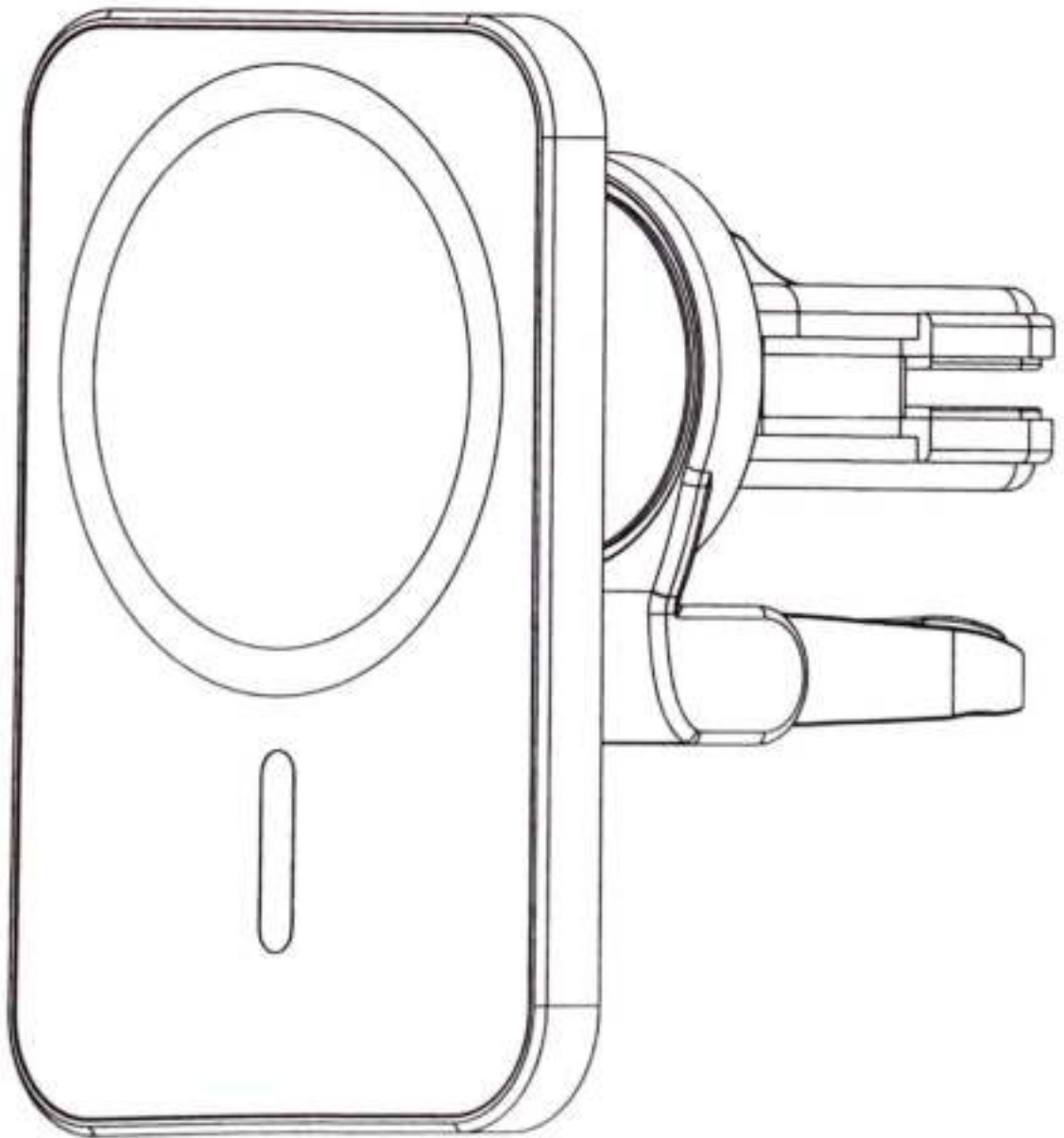
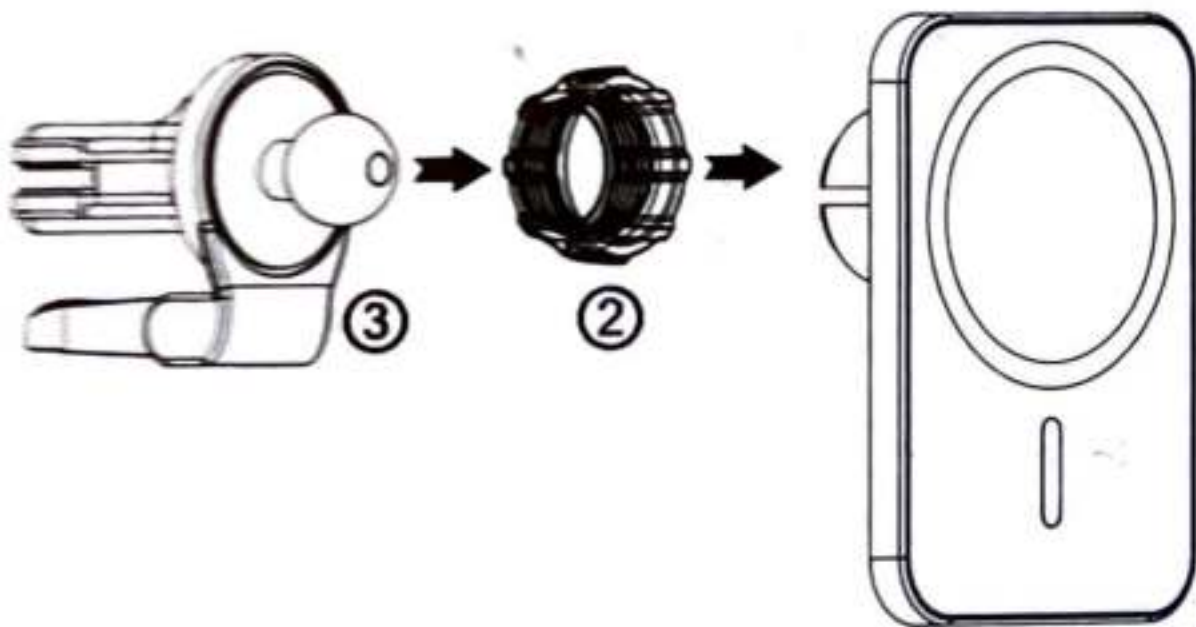


# 15W

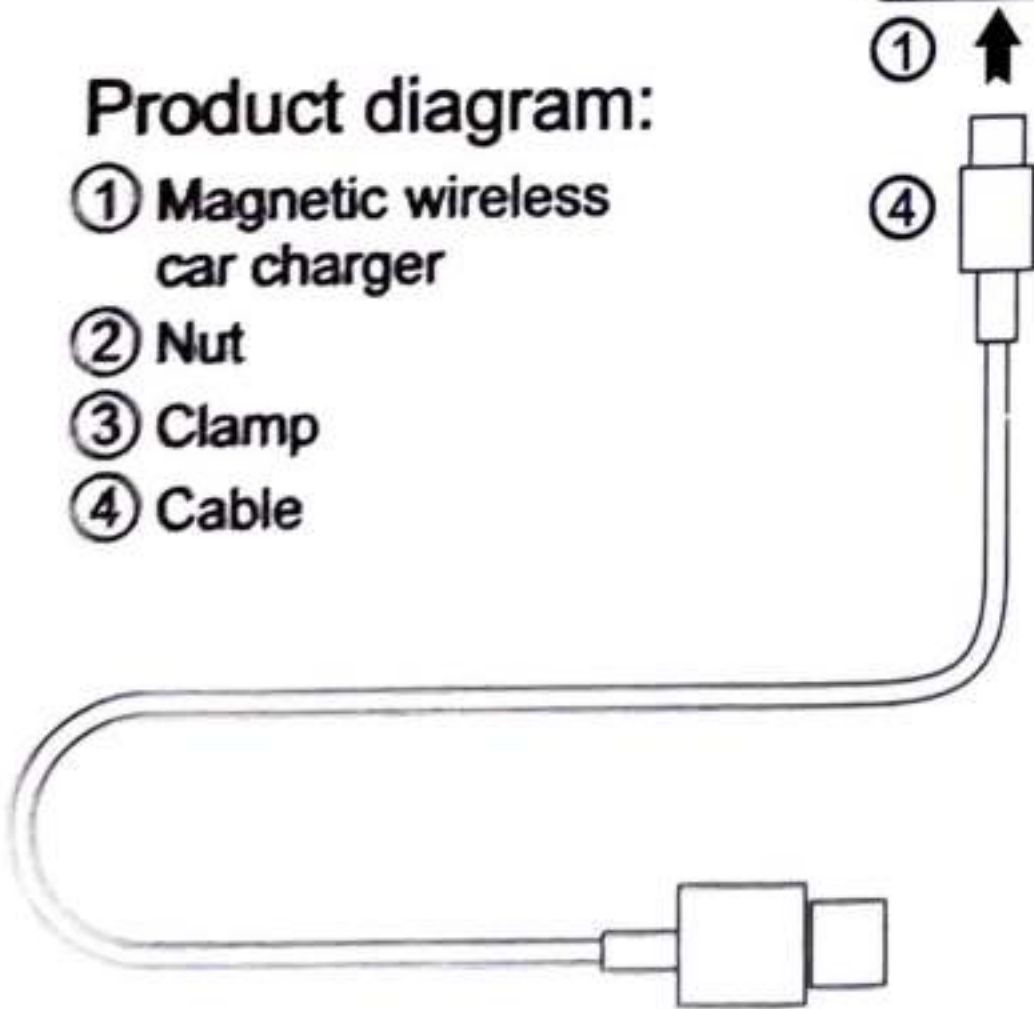
Magnetic wireless car charger  
Compatible with 10W/7.5W/5W





### Product diagram:

- ① Magnetic wireless car charger
- ② Nut
- ③ Clamp
- ④ Cable



## Specifications:

- Input interface: USB Car charger
- Input: 9V==2A, 5V==2.4A
- Output:15W/10W/7.5W/5W  
(charging power depends on mobile model)

## Product List:

- Magnetic wireless car charger x1
- Cable x1
- Manual x1
- Certification of qualification x1
- Warranty card x1

\*Please use the car charging power source in accordance with the national standard with this product.

\*Operation Standard:GB4943.1-2011

**Warning:** For safety, please do not use this product in high temperature and short circuit, please do not drop this product, please do not put this product into the fire;

In addition to the mobile phone with magnetic suction function , users please buy special magnetic suction mobile phones protective cover for other mobile phones to support use.

## **Description:**

Wireless charger for smart phones conforming to the Qi-standard.

Easy to charge your phone without cables, just put your phone on the charging plate.

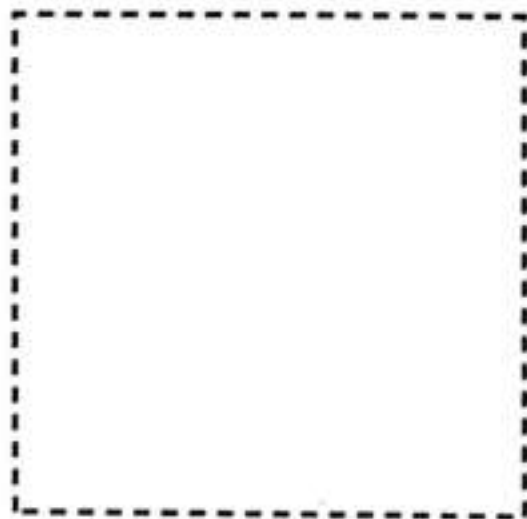
## **Specifications:**

Input: please refer to the printing on the back cover of the charging plate.

Compatible with the Qi-standard.

## **Power supply:**

Qualified AC adapter is strongly recommended.



**Video for  
operation instruction**  
Please scan the QR code