

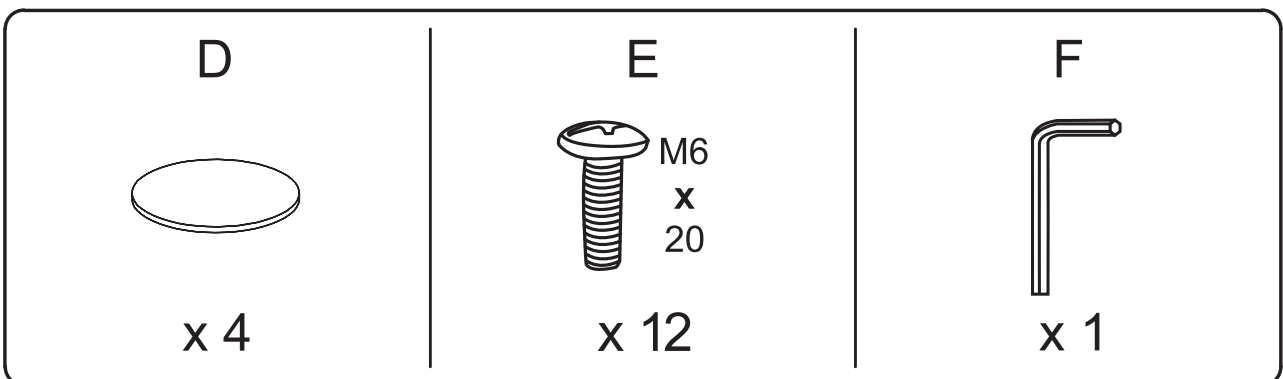
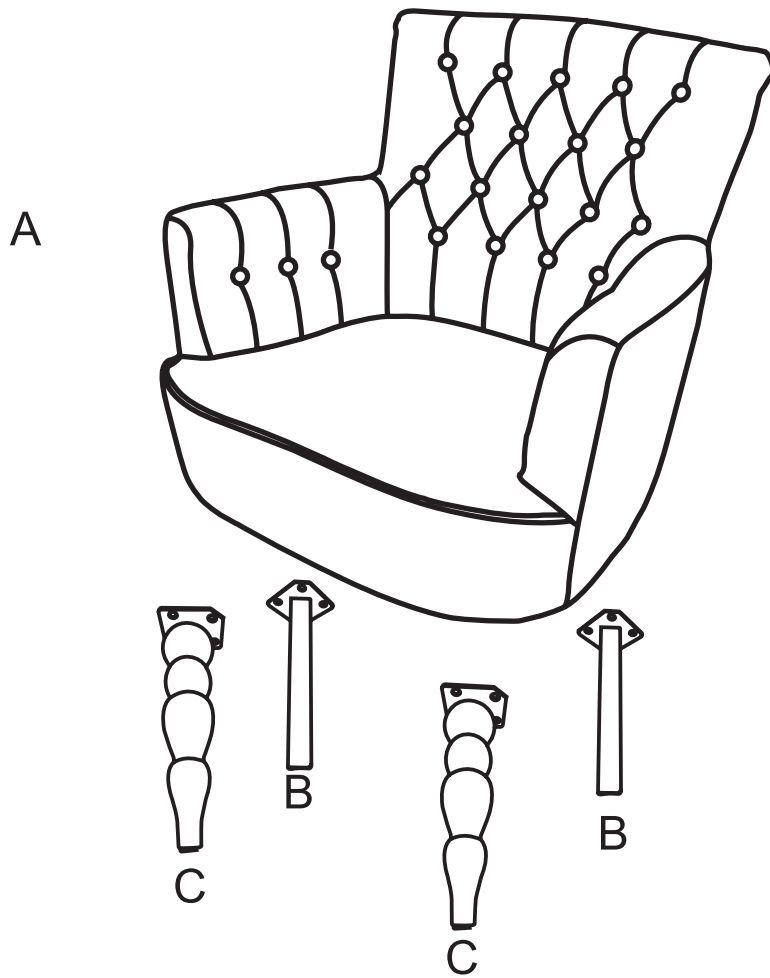
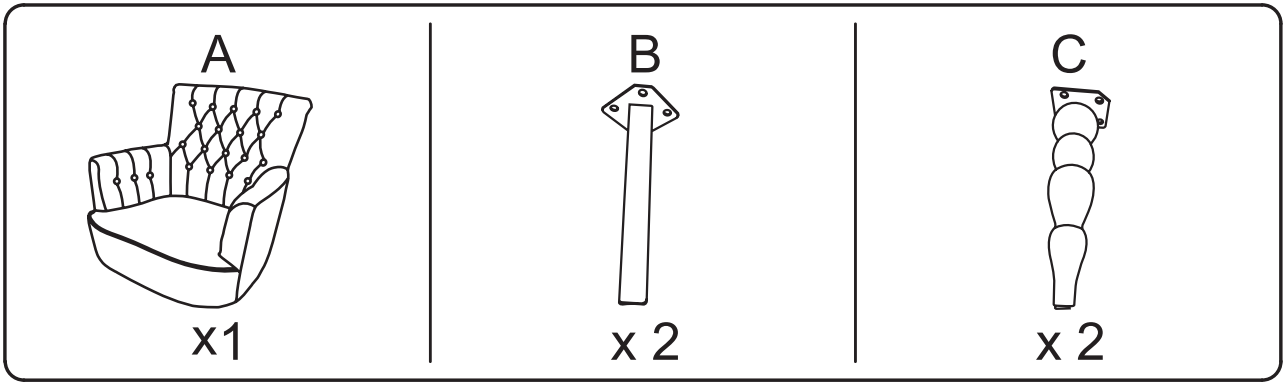
Assembly instructions for the chair, including tool requirements, time estimate, and person count.

Tools: An Allen key is shown in a circle. A power drill is shown with a diagonal line through it, indicating it is not required.

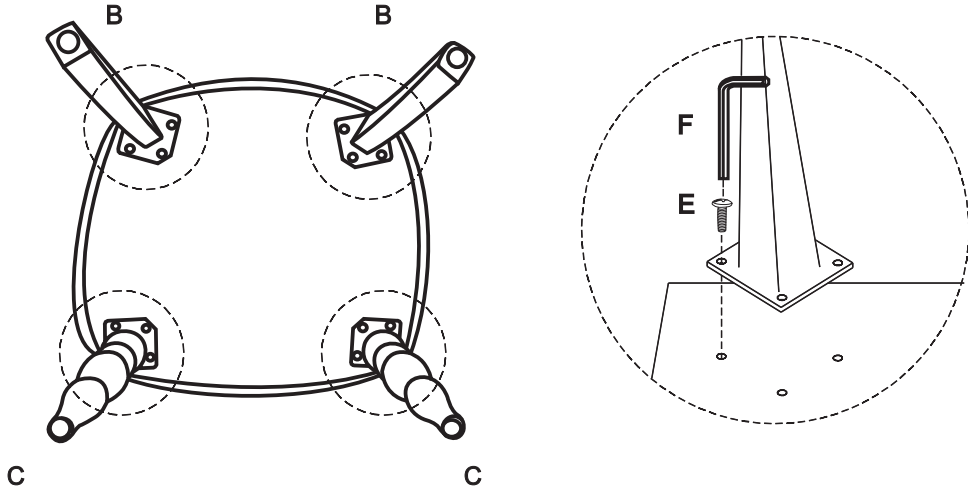
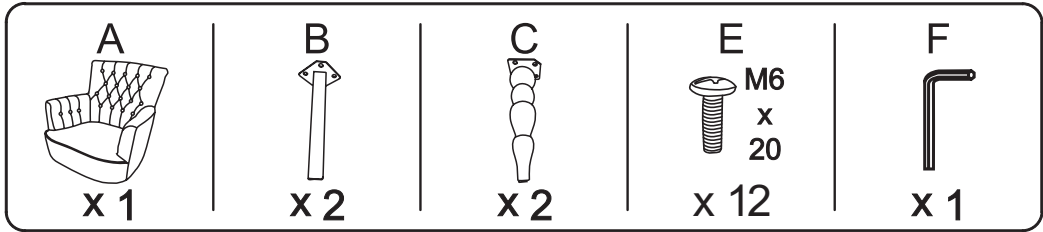
Warnings: A warning triangle with an exclamation mark is shown next to the tool icons.

Time: A clock icon is shown, with the text "15'" below it, indicating an estimated assembly time of 15 minutes.

Personnel: A person icon is shown, with the text "1" below it, indicating that one person is required for assembly.



1



2

