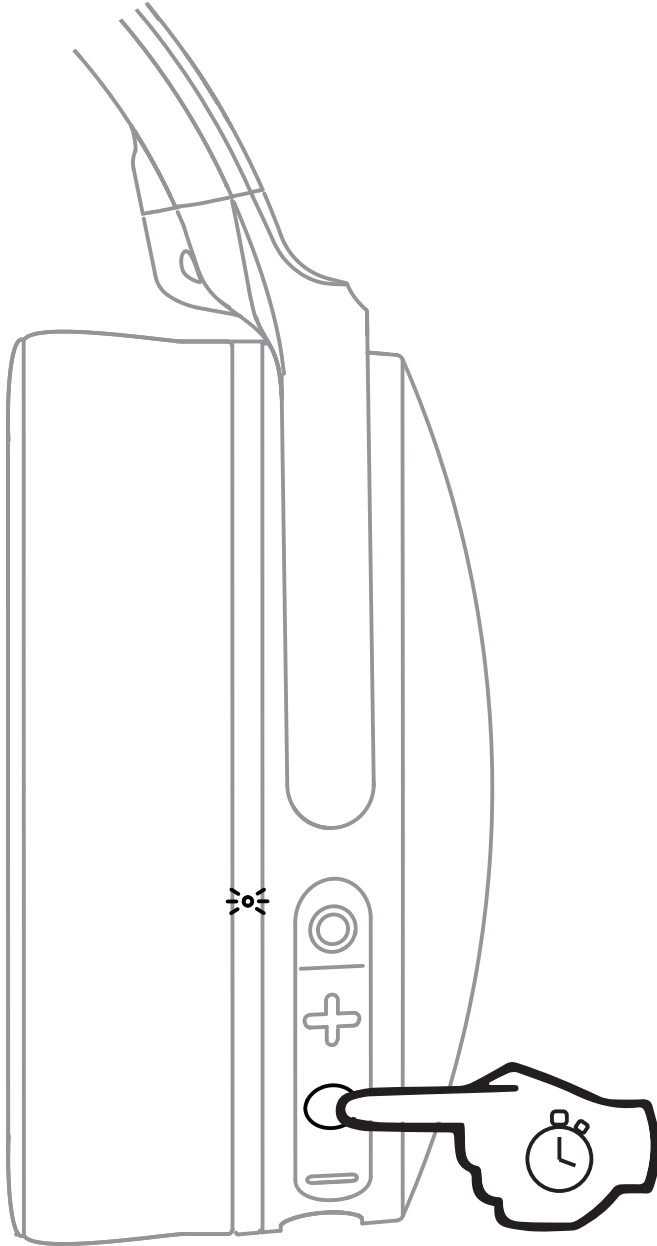




USER GUIDE

Hesh Evo

Power - On / Off



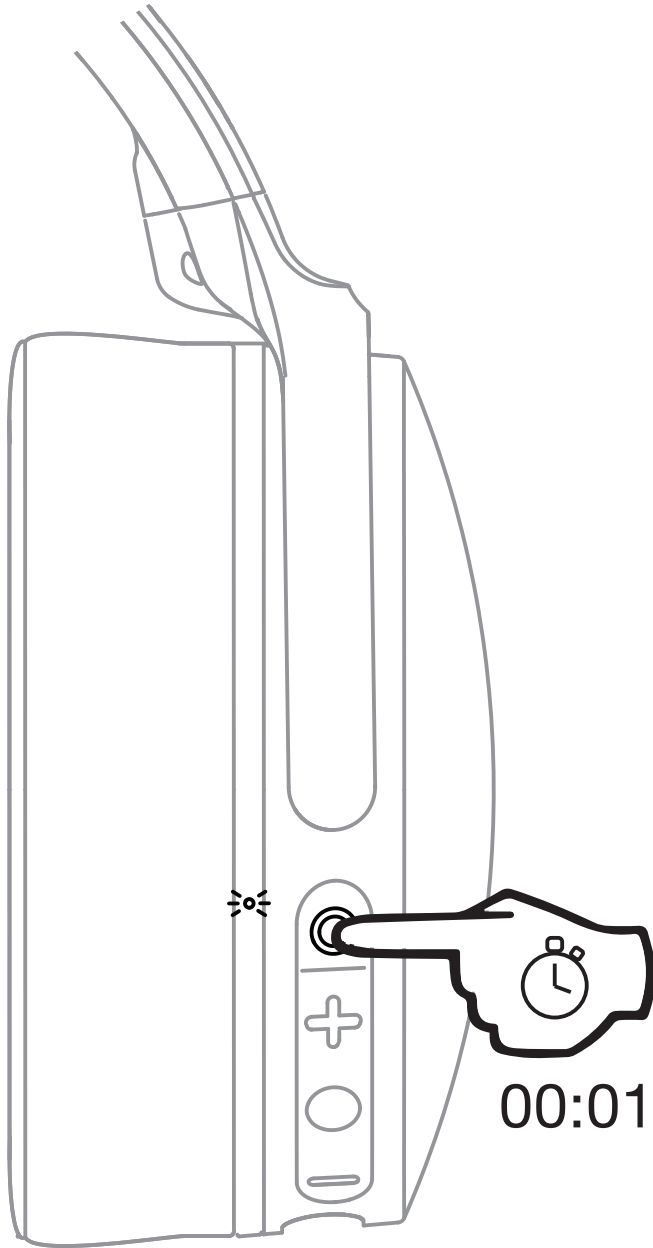
Power - On / Off
Allumé / éteint
Encendido / Apagado
Accensione / Spegnimento
Ligar / Desligar
Ein / Aus
Aan / Uit
Tænd / Sluk For Strøm
Virta Päälle / Pois
Strøm Av / På
Ström Av / På
Включить / выключить
Питание
开机/关机
電源 - On/off
전원 켜기/끄기
ليغشت لا فاقاي / ليغشت لا

ON - 00:01

OFF - 00:02

Pairing Mode

*On Mode



Pair New Device

Coupler Nouvel Appareil

Vincular Nuevo Dispositivo

Accoppia Nuovo Dispositivo

Emparelhar Novo Dispositivo

Mit Neuem Gerät Koppeln

Nieuw Apparaat Koppelen

Pardan Ny Enhed

Muodosta uusi laitepari

Sammenkoble Ny Enhet

Para Ny Enhet

Сопряжение Нового Устройства

配对新设备

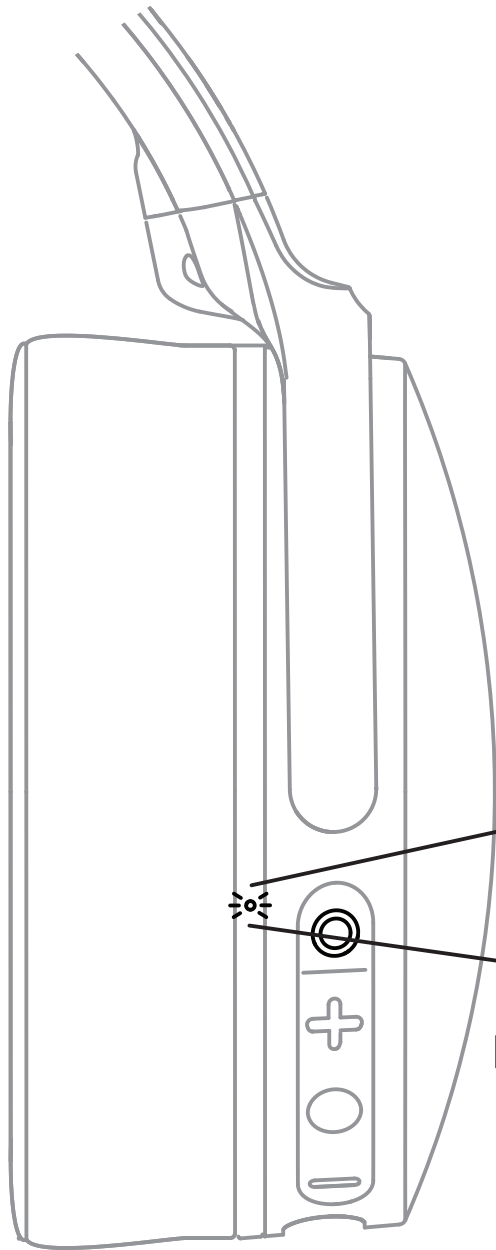
新しいデバイスをペアリング

새 기기 짝맞추기

ديج زاهج ةجوازم فاقاي! عضو

Pair New Device

“Hesh Evo”

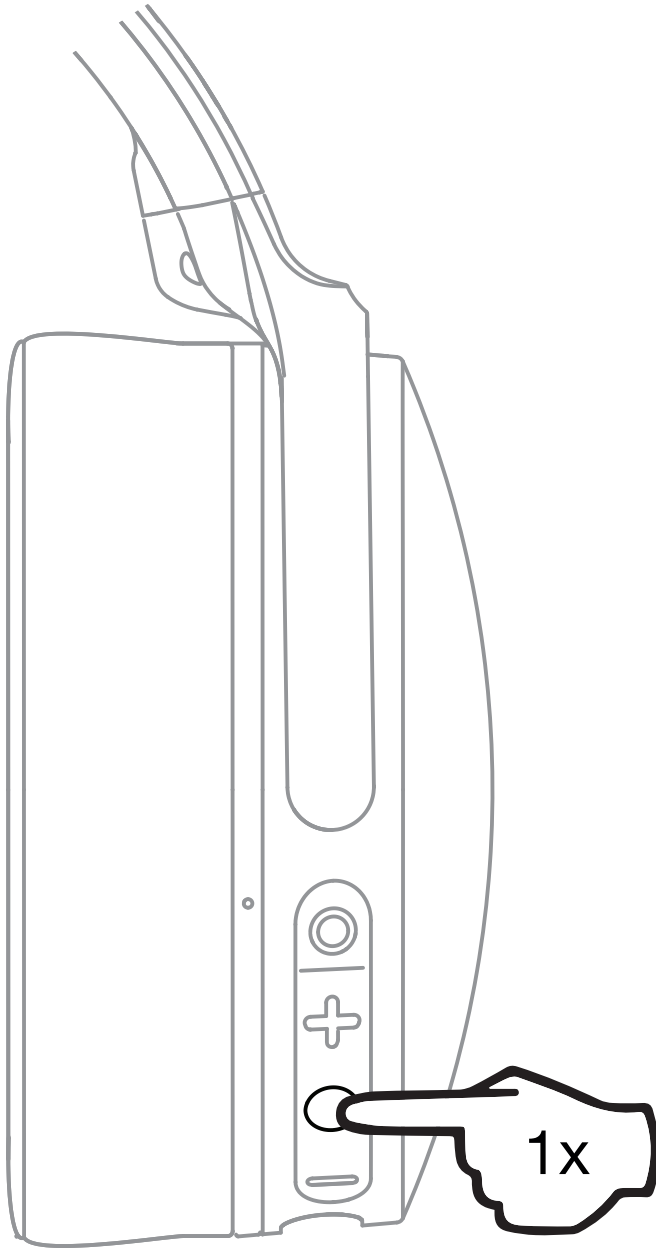


- Pairing Mode
- Mode Couplage
- Modo De Vinculación
- Modalità Di Accoppiamento
- Modo Emparelhamento
- Koppelingsmodus
- Paarmodus
- Pardannelsestilstand
- Laiteparin m uodostustila
- Sammenkoblingsmodus
- Parningsläge
- Режим Сопряжения
- 配对模式
- ペアリングモード
- 페어링 모드
- ةجوازملا عضو



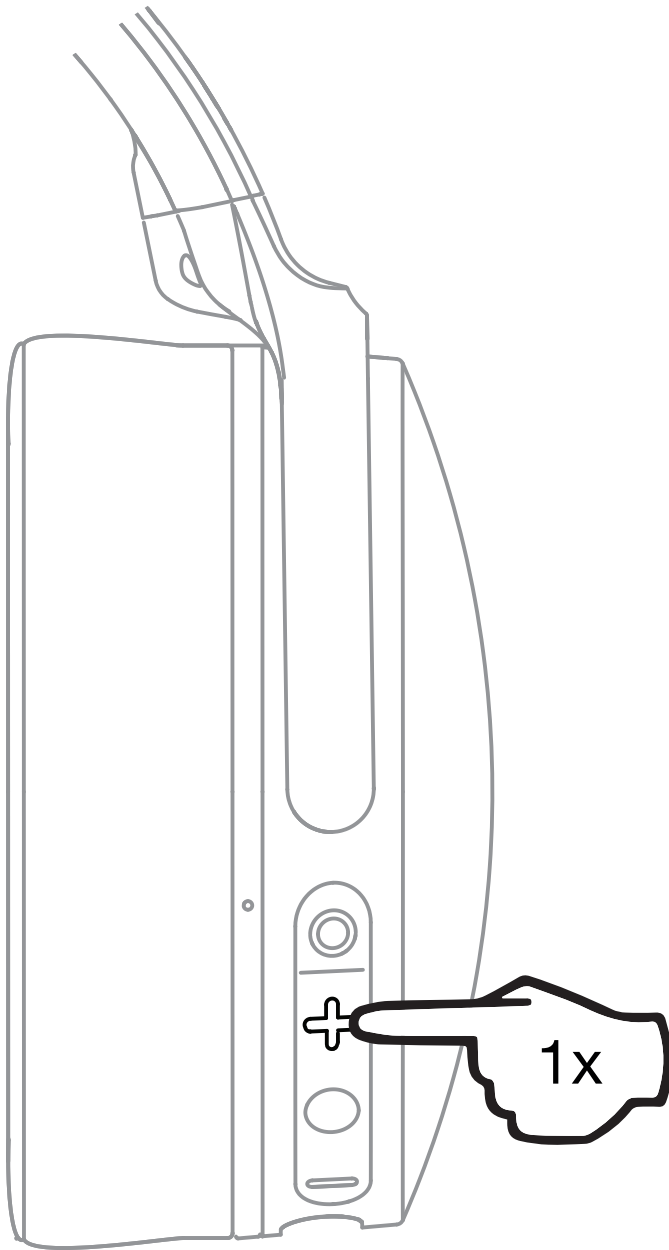
LED Flashes
Red/Blue

Play / Pause



Play / Pause
Lecture / Pause
Reproducir / Pausar
Riproduci/Pausa
Reproduzir / Colocar Em Pausa
Wiedergabe / Pause
Afspelen / Pauzeren
Afspil / Pause
Toisto / Tauko
Spill / Pause
Spela Upp / Pausa
Воспроизведение / пауза
播放/暂停
再生 / 一時停止
재생/일시 정지
تقوّم فاقاي! / لاي غشت

Volume Up



Volume Up

Volume +

Subir Volumen

Aumento volume

Aumentar O Volume

Lautstärke Erhöhen

Volume Omhoog

Skru Op For Lydstyrken

Äänenvoimakkuuden lisäys

Volum Opp

Öka Volymen

Увеличение Громкости

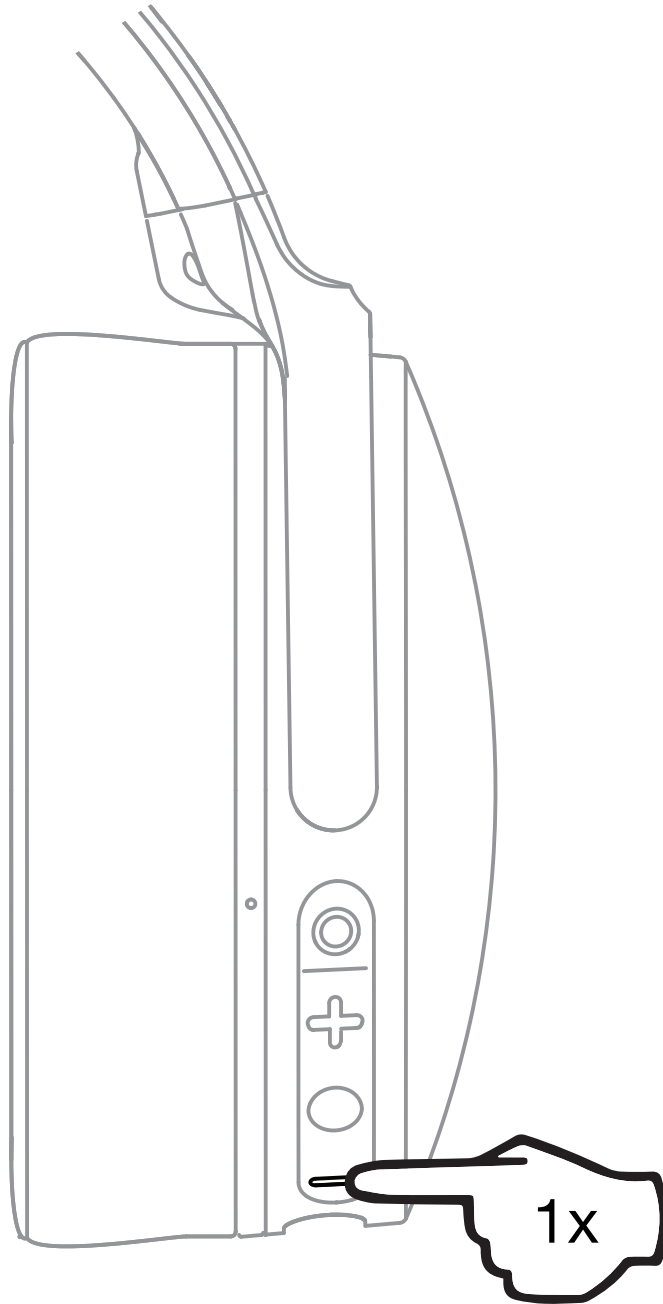
音量増大

音量を上げる

볼륨 높이기

توصلا یوتسم عفر

Volume Down



Volume Down

Volume -

Bajar Volumen

Riduzione Volume

Diminuir O Volume

Lautstärke Senken

Volume Omlaag

Skru Ned For Lydstyrken

Äänenvoimakkuuden vähennys

Volum Ned

Sänka Volymen

Уменьшение Громкости

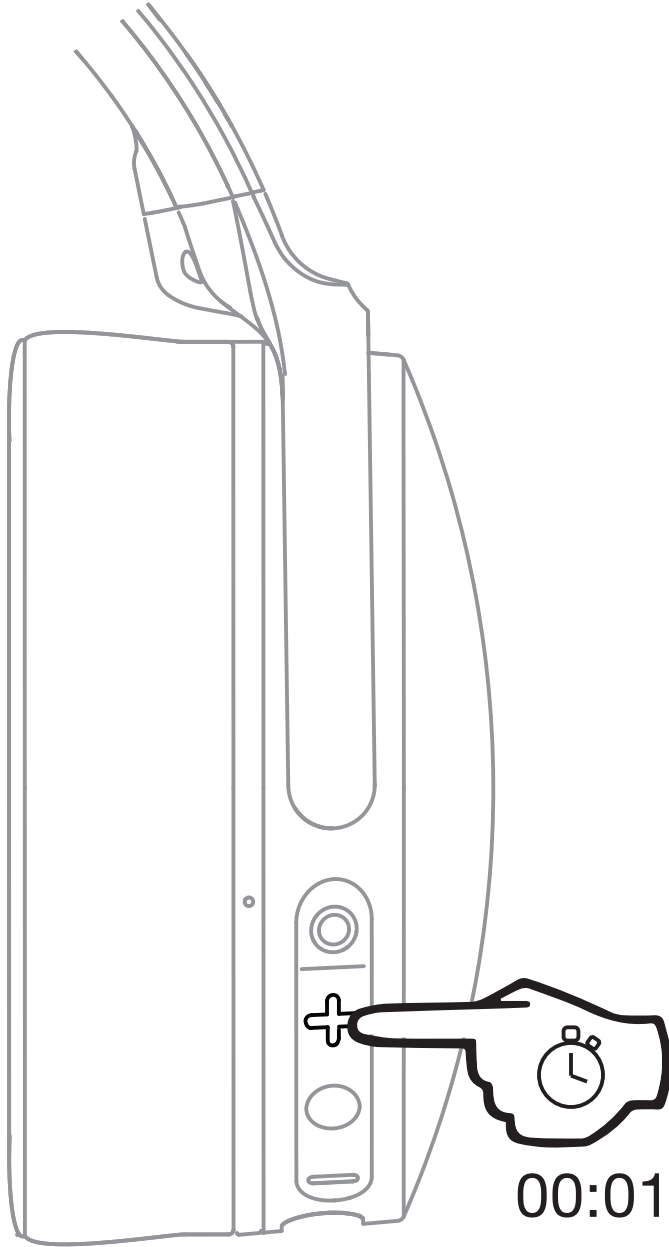
音量减小

音量を下げる

볼륨 낮추기

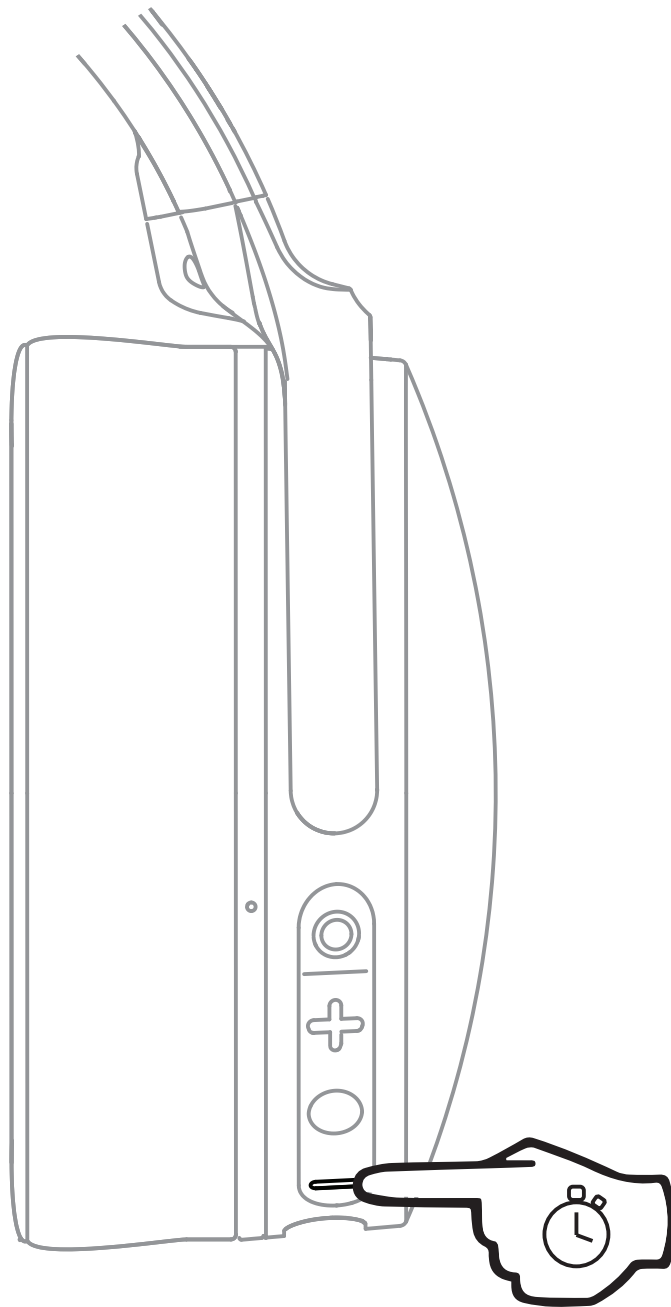
توصلا یوتسم ضفخ

Track Forward



Track Forward
Piste Suivante
Adelantar
Brano successivo
Faixa Seguinte
Nächster Titel
Volgend Nummer
Skift Til Næste Musiknummer
Kelaus eteenpäin
Neste Spor
Nästa Ljudspår
Переключение На 1 Трек Вперед
下一曲目
次のトラックを再生する
다음 트랙으로
مسار إلى الأمام

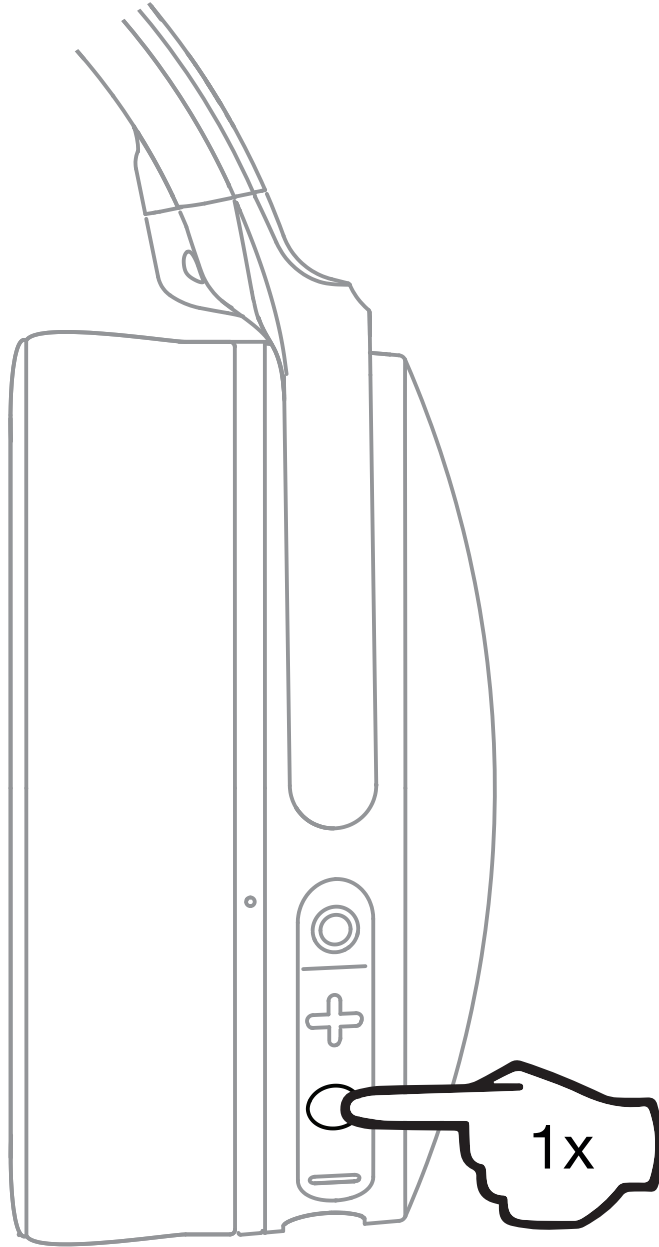
Track Back



00:01

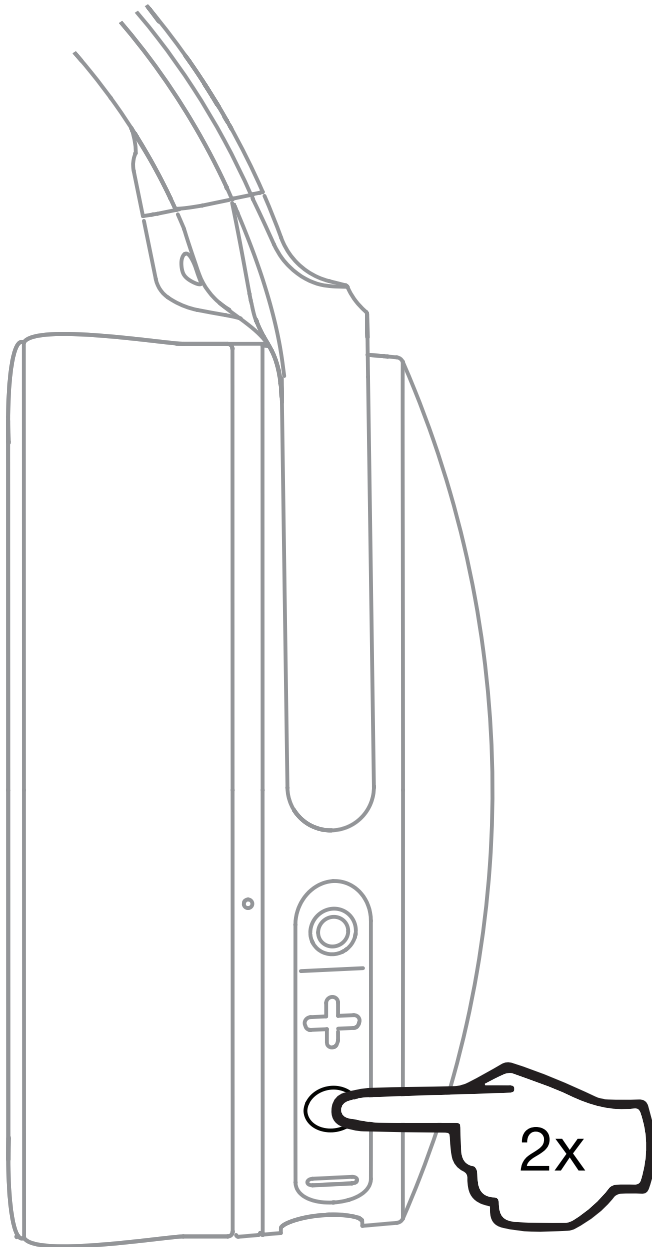
- Track Back
- Piste Précédente
- Retroceder
- Brano Precedente
- Faixa Anterior
- Vorangehender Titel
- Vorig Nummer
- Musiknummer Tilbage
- Kelaus taaksepäin
- Forrige Spor
- Byta Till Föregående Spår
- Переключение На 1 Трек Назад
- 上一曲目
- 前のトラックを再生する
- 이전 트랙으로
- فللخال لى لى لى راسم

Answer / End Phone Calls



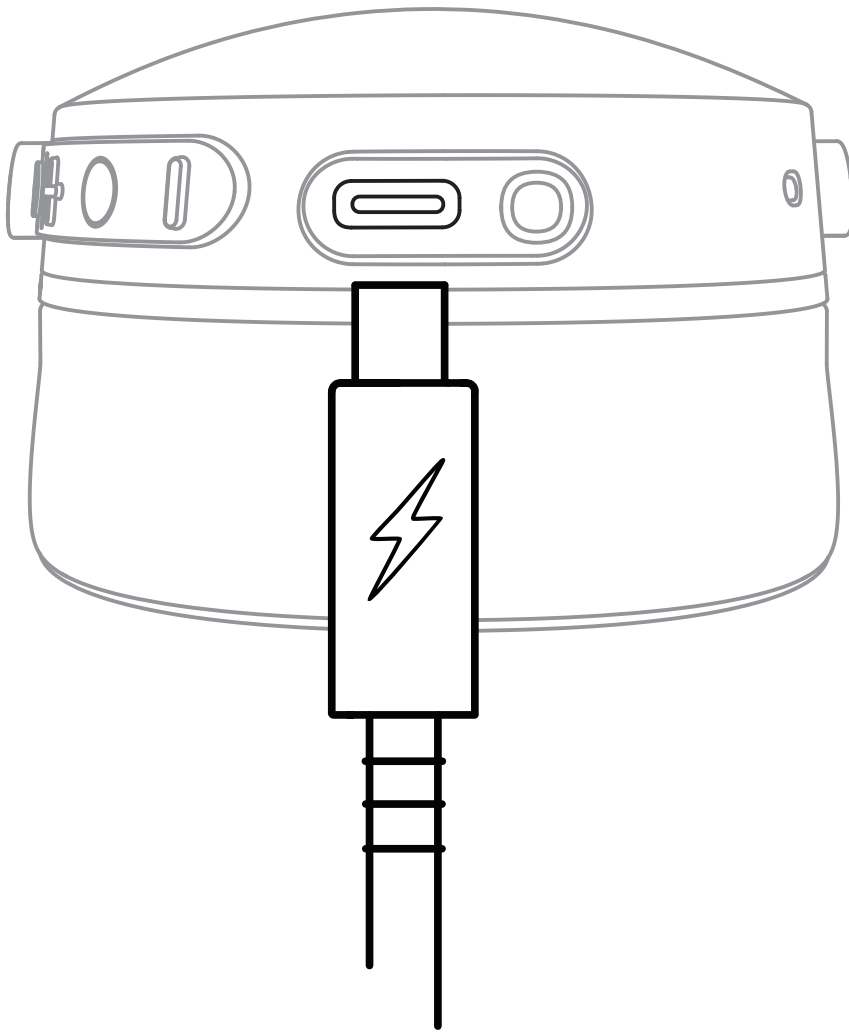
Answer / End
Répondre / Fin
Responder / Colgar
Risposta/Fine
Atender / Desligar
Annehmen / Beenden
Beantwoorden / Beëindigen
Besvar / Afslut
Vastaus / Lopetus
Svar / Avslutt
Svara / L agg P a
 T VETIT  /  KONCHIT 
    /    
     /     
        /    
         /     

Activate Voice Assistant



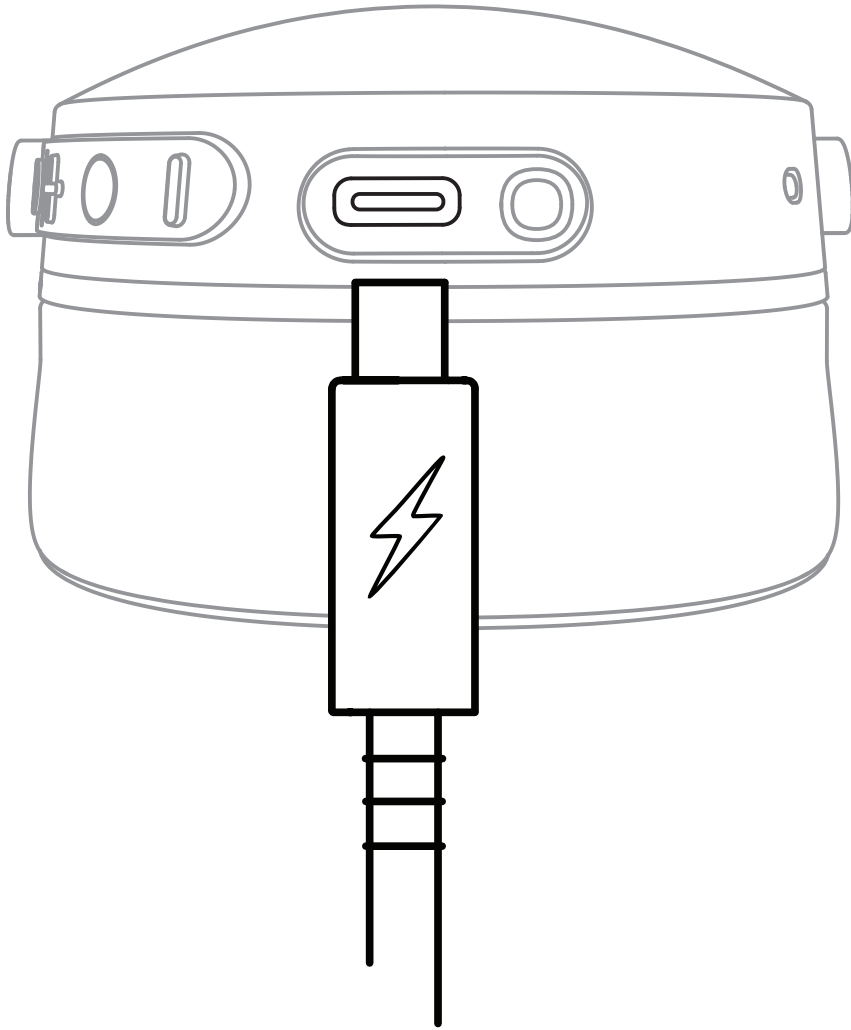
Activate Voice Assistant
Activer l'Assistant Vocal
Activar el Asistente de Voz
Attivare Assistente Vocale
Ativar Assistente de Voz
Sprachassistenten
Aktivieren
Stemhulp Activeren
Aktivér Talestøtte
Aktivoi ääniohjain
Aktiver Taleassistent
Aktivera Röstassistent
Активировать голосовой
ПОМОЩНИК
激活语音助理
ボイスアシスタント
を起動する
음성 인식 가동화
ةيت وصل لادع اسم لاطيشنت

Charge



Charge
Charge
Cargar
Carica
Carregar
Aufladen
Opladen
Oplad
Lataus
Lading
Ladda
Зарядка
充电
充電
충전
نحشلا

Rapid Charge: 10 minutes = 3 hours



Rapid Charge:

10 minutes = 3 hours

Charge Rapide:

10 minutes = 3 heures

Carga Rápida:

10 minutos = 3 horas

Carica rapida:

10 minuti = 3 ore

Carregamento Rápido:

10 minutos = 3 horas

Schnelles Aufladen:

10 Minuten = 3 Stunden

Snelladen: 10 minuten = 3 uur

Hurtig Opladning:

10 minutter = 3 timer

Pikalataus:

10 minuuttia = 3 tuntia

Hurtiglading:

10 minutter = 3 timer

Snabbladdning:

10 minuter = 3 timmar

Быстрая зарядка:

10 минут = 3 часов

快速充电 : 10 分钟 = 3 小时

高速充電 : 10 分 = 3 時間

새 장치 페어링

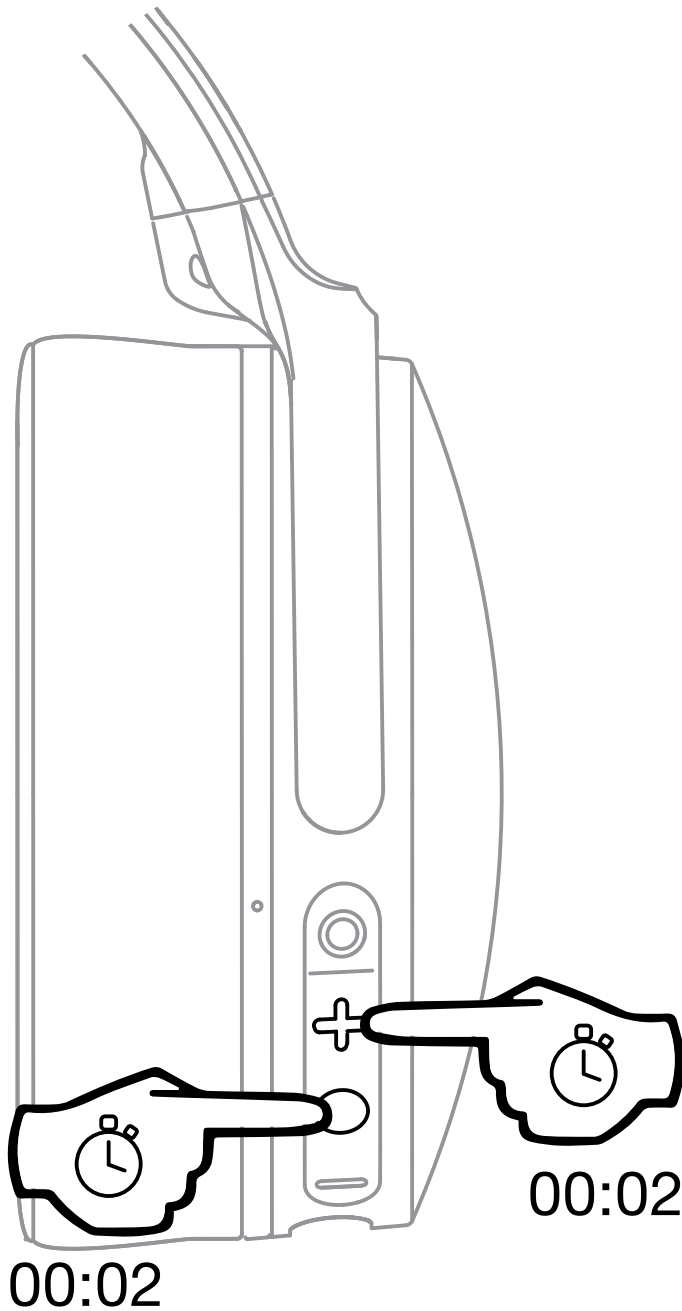
تاعاس 3 = قئاقد 10 :عيرس نحش

Tile™ Enabled: Download the App



Download the Tile™ App
Télécharger l'app Tile™
Descargar la Aplicación Tile™
Scaricare l'App Tile™
Transfira a Aplicação Tile™
Die Tile™-App Herunterladen
De Tile™-app downloaden
Download Tile™ App
Lataa Tile™-sovellus
Last ned Tile™-Appen
Ladda ner Tile™-Appen
Загрузить приложение Tile™
下载 Tile™ 应用
Tile™ アプリをダウンロードする
Tile™ 앱 다운로드하기
Tile™ قىببطت لىغشت

Pair Tile™



Pair Tile™

Associer Tile™

Emparejar Tile™

Abbinare Tile™

Emparelhar Tile™

Tile™ koppeln

Met Tile™ koppelen

Par med Tile™

Muodosta Tile™-laittepari

Sammenkoblemed Tile™

Para Tile™

Привязать Tile™

配对 Tile™

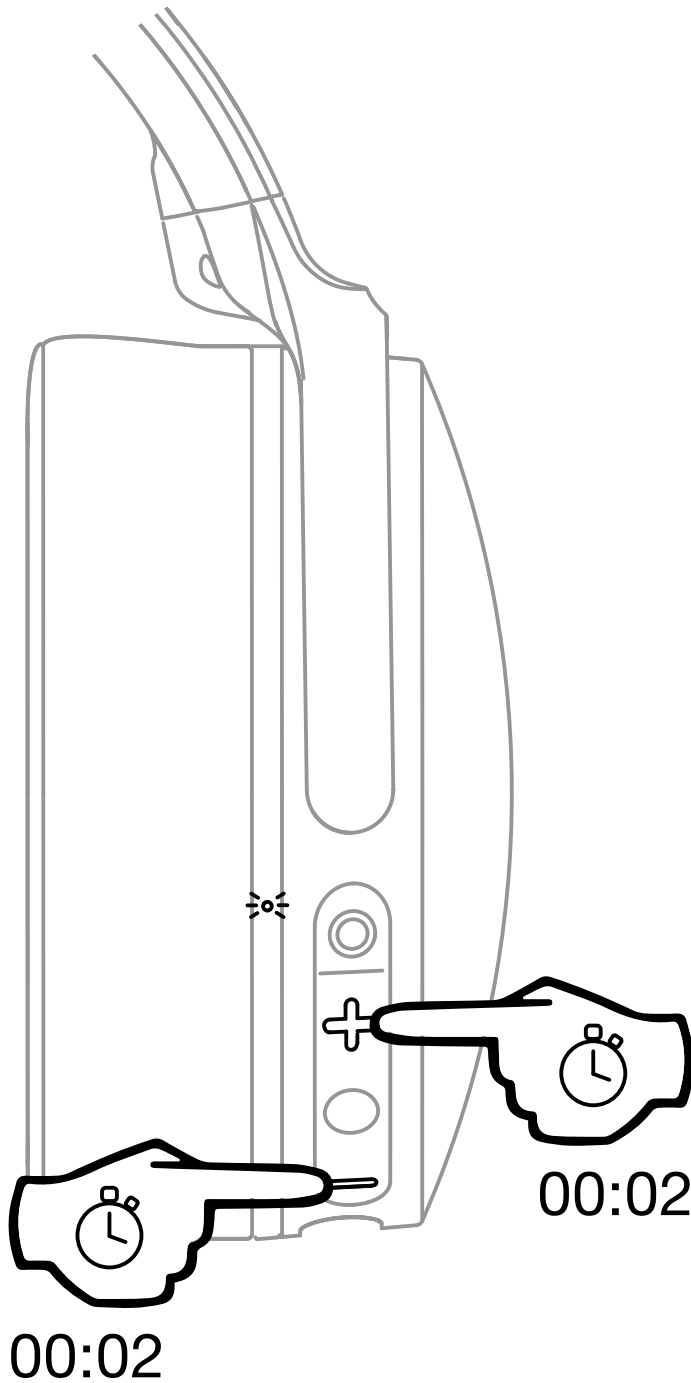
Tile™ をペアリングする

Tile™ 페어링하기

نراق Tile™

Clear Paired Device

Hold Together



Clear Paired Device
Réinitialiser l'Appareil
Reiniciar el Dispositivo
Ripristina Dispositivo
Reinicie o Dispositivo
Rückstelleinrichtung
Reset het Apparaat
Nulstil Enhed
Nollaa Laite
Nulstil Enhed
Återställ Enhet
Сброс устройства
重置设备
デバイスをリセット
기기 재설정
زاهجلا طبض ةداعإ

Questions Visit: www.skullcandy.com

Si vous avez des questions, allez sur : www.skullcandy.com

Si tienes dudas, visita: www.skullcandy.com

Domande Visitare il sito: www.skullcandy.com

Fazer perguntas: www.skullcandy.com

Fragen Besuch: www.skullcandy.com

Voor vragen bezoek: www.skullcandy.com

For spørsmål se: www.skullcandy.com

Vastauksia löytyy: www.skullcandy.com

For spørsmål, besøk: www.skullcandy.com

Vid frågor, besök: www.skullcandy.com

Если у вас возникнут вопросы, посетите: www.skullcandy.com

如有问题请访问 : www.skullcandy.com

質問がある場合はこちらをご覧ください: www.skullcandy.com

문의 사항: www.skullcandy.com

www.skullcandy.com: ةراي زب ل ضفت , تالؤاست يأك ي دل ناك اذ : www.skullcandy.com

ISED Statement

This device contains licence-exempt transmitter(s) / receiver(s) that comply with Innovation, Science and Economic Development Canada's licence-exempt RSS(s). Operation is subject to the following two conditions:

(1) This device may not cause interference.

(2) This device must accept any interference, including interference that may cause undesired operation of the device.

L'émetteur / récepteur exempt de licence contenu dans le présent appareil est conforme aux CNR d'Innovation, Sciences et Développement économique Canada applicables aux appareils radio exempts de licence. L'exploitation est autorisée aux deux conditions suivantes:

(1) L'appareil ne doit pas produire de brouillage; (2) L'appareil doit accepter tout brouillage radioélectrique subi, même si le brouillage est susceptible d'en compromettre le fonctionnement.

ISED SAR Statemen

This equipment complies with ISED radiation exposure limits set forth for an uncontrolled environment. End user must follow the specific operating instructions for satisfying RF exposure compliance. This transmitter must not be co-located or operating in conjunction with any other antenna or transmitter.

The portable device is designed to meet the requirements for exposure to radio waves established by the ISED. These requirements set a SAR limit of 1.6 W/kg averaged over one gram of tissue. The highest SAR value reported under this standard during product certification for use when properly worn on the head.

Cet équipement est conforme aux limites d'exposition aux rayonnements ISED établies pour un environnement non contrôlé. L'utilisateur final doit suivre les instructions spécifiques pour satisfaire les normes. Cet émetteur ne doit pas être co-implanté ou fonctionner en conjonction avec toute autre antenne ou transmetteur. Le dispositif portatif est conçu pour répondre aux exigences d'exposition aux ondes radio établie par le développement énergétique DURABLE. Ces exigences un SAR limite de 1,6 W/kg en moyenne pour un gramme de tissu. La valeur SAR la plus élevée signalée en vertu de cette norme lors de la certification de produit à utiliser lorsqu'il est correctement porté sur le tête.

The FCC Compliance Statement

This device complies with part 15 of the FCC Rules. Operation is subject to the following two conditions: (1) This device may not cause harmful interference, and (2) this device must accept any interference received, including interference that may cause undesired operation. Changes or modifications not expressly approved by the party responsible for compliance could void the user's authority to operate the equipment. This equipment has been tested and found to comply with the limits for a Class B digital device, pursuant to part 15 of the FCC Rules. These limits are designed to provide reasonable protection against harmful interference in a residential installation. This equipment generates, uses and can radiate radio frequency energy and, if not installed and used in accordance with the instructions, may cause harmful interference to radio communications. However, there is no guarantee that interference will not occur in a particular installation. If this equipment does cause harmful interference to radio or television reception, which can be determined by turning the equipment off and on, the user is encouraged to try to correct the interference by one or more of the following measures:

- Reorient or relocate the receiving antenna.
- Increase the separation between the equipment and receiver.
- Connect the equipment into an outlet on a circuit different from that to which the receiver is connected.
- Consult the dealer or an experienced radio/TV technician for help.




(1) 이 기기는 가정용으로 전자파적합등록을 한 기기로서 주거지역에서는 물론 모든 지역에서 사용할 수 있습니다.

(2) 당해 무선설비는 전파혼신 가능성이 있으므로 인명안전과 관련된 서비스는 할 수 없음.

根據NCC低功率電波輻射性電機管理辦法 規定:

(1)第十二條經型式認證合格之低功率射頻電機, 非經許可, 公司、商號或使用者均不得擅自變更頻率、加大功率或變更原設計之特性及功能。

(2)第十四條 低功率射頻電機之使用不得影響飛航安全及干擾合法通信; 經發現有干擾現象時, 應立即停用, 並改善至無干擾時方得繼續使用。前項合法通信, 指依電信法規定作業之無線電通信。低功率射頻電機須忍受合法通信或工業、科學及醫療用電波。


EN Skullcandy, , and other marks are registered trademarks of Skullcandy, Inc. All rights reserved. **FR** Skullcandy, , et les autres marques sont des marques déposées de Skullcandy, Inc. Tous droits réservés. **ES** Skullcandy, , y las demás marcas son marcas registradas de Skullcandy, Inc. Todos los derechos reservados.


EN Speaker Driver: 40mm, Impedance: 32 Ohms, THD <3%@100Hz - 10KHz, Voltage Regulation: 3.7v, Bluetooth 5.0, Frequency Band: 2.402GHz – 2.480GHz, Maximum Power: 9.5 dBm, Weight: 213g. **FR** Driver Président: 40mm, Impédance: 32 Ohms, THD <3%@100Hz - 10KHz, Tension: 3.7v, Bluetooth 5.0, Bande de fréquence: 2.402GHz – 2.480GHz, Puissance Maximum: 9.5 dBm, Poids: 213g. **ES** Controlador del altavoz: 40mm, Impedancia: 32 Ohms, THD < 3%@100Hz - 10KHz, Voltaje: 3.7v, Bluetooth 5.0, Banda de frecuencia: 2.402GHz – 2.480GHz, Poder Maximo: 9.5 dBm, Peso: 213g. **DE** Lautsprecher -Treiber: 40mm, Impedanz: 32 Ohm, THD < 3%@100Hz - 10KHz, Spannungsregelung: 3,7 V, Bluetooth 5.0, Frequenzband: 2.402GHz – 2.480GHz, Maximale Leistung: 9.5 dBm, Gewicht: 213g. **JP** スピーカードライバー : 40ミリメートル, インピーダンス : 32オーム, THD <3%@100Hz - 10KHzの, 電圧レギュレーション : 3.7Vの, のBluetooth 5.0, 周波数帯: 2.402GHz – 2.480GHz, 最大功率: 9.5 dBm, 重量 : 213グラム。 **ZH** 扬声器驱动器 : 40毫米, 阻抗 : 32欧姆, THD <3%100Hz - 10KHz, 电压调节 : 3.7V, 蓝牙5.0, 频带: 2.402GHz – 2.480GHz, 最大電力: 9.5 dBm, 重量 : 213克。

EN Contains Li-ion battery. Battery must be recycled or disposed of properly. **FR** Contient une batterie Li-ion. La batterie doit être recycle ou jet s correctement. **ES** Contiene una batería Li-ion. La batería debe ser reciclada o desechada adecuadamente.

EN Made In Philippines.
FR Fabrique en Philippines.
ES Hecho en Philippines.
ZH 菲律宾制造。

Hesh Evo
MODEL: S6HVW
IC: 10486A-S6HVW
FCC ID: Y22-S6HVW

HW Version: V0.4
FW Version: v0.4.10
 R-C-Sku-S6HVW

 018-200235



Americas

Skullcandy, Inc.

6301 N Landmark Dr.

Park City, UT 84098 U.S.A.

Skullcandy.com

Europe

Skullcandy Europe BV

Postbus 425

5500AK Veldhoven Nederland

Skullcandy.eu

Canada

Skullcandy Canada ULC

329 Railway St. Unit 205

Vancouver, BC. V6A 1A4 Canada

Skullcandy.ca

México

Skullcandy Mexico S de RL de CV

Aristoteles 218

Polanco IV Seccion, Miguel Hidalgo

11550, México City, México

Skullcandy.mx

SIMPLIFIED EU DECLARATION OF CONFORMITY

Hereby, Skullcandy Internation GmbH declares that the radio equipment type [Model: S6HVW] is in compliance with Directive 2014/53/EU.

The full text of the EU declaration of conformity is available at the following internet address: skullcandy.eu/product-documents

DÉCLARATION DE CONFORMITÉ SIMPLIFIÉE DE L'UE

Skullcandy Internation GmbH déclare par la présente que le type d'équipement radioélectrique [modèle: S6HVW] est conforme à la directive 2014/53 / UE. Le texte complet de la déclaration de conformité UE est disponible à l'adresse Internet suivante: skullcandy.eu/product-documents

DECLARACIÓN DE CONFORMIDAD SIMPLIFICADA DE LA UE

Por la presente, Skullcandy Internation GmbH declara que el tipo de equipo de radio [Modelo: S6HVW] cumple con la Directiva 2014/53 / UE.

El texto completo de la declaración de conformidad de la UE está disponible en la siguiente dirección de Internet: skullcandy.eu/product-documents

VEREENVOUDIGDE EU-CONFORMITEITSVERKLARING

Hierbij verklaart Skullcandy Internation GmbH dat het type radio-apparatuur [Model: S6HVW] voldoet aan Richtlijn 2014/53 / EU.

De volledige tekst van de EU-conformiteitsverklaring is beschikbaar op het volgende internetadres: skullcandy.eu/product-documents

FORENKLET EU-ERKLÆRING OM OVERENS- STEMMELSE

Hermed erklærer Skullcandy Internation GmbH at radioutstyrtypen [Model: S6HVW] er i samsvar med direktiv 2014/53 / EU.

Den fulle teksten til EU-samsvarserklæringen er tilgjengelig på følgende internettadresse: skullcandy.eu/product-documents

YKSINKERTAINEN EU: N VAATIMUSTENMUKAISUUS- VAKUUTUS

Tällä tavoin Skullcandy Internation GmbH vakuuttaa, että radiolaitteiden tyyppi [Malli: S6HVW] on direktiivin 2014/53 / EU mukainen.

EU: n vaatimustenmukaisuusvakuutuksen koko teksti on saatavilla seuraavassa Internet-osoitteessa: skullcandy.eu/product-documents

FÖRENKLAD EU-FÖRSÄKRAN OM ÖVERENS- STÄMMELSE

Häri förklarar Skullcandy Internation GmbH att radioutrustningstypen [Modell: S6HVW] överensstämmer med direktiv 2014/53 / EU.

Den fullständiga texten till EU-försäkran om överensstämmelse finns på följande internetadress: skullcandy.eu/product-documents

FORENKLET EU-OVERENSSTEMMELSE- SERKLÆRING

Hermed erklærer Skullcandy Internation GmbH, at radioudstyrstypen [Model: S6HVW] er i overensstemmelse med direktiv 2014/53 / EU.

Den fulde ordlyd af EU-overensstemmelseserklæringen findes på følgende internetadresse: skullcandy.eu/product-documents

DECLARAÇÃO DE CONFORMIDADE DA UE SIMPLIFICADA

Por este meio, a Skullcandy Internation GmbH declara que o tipo de equipamento de rádio [Modelo: S6HVW] está em conformidade com a Diretiva 2014/53 / UE.

O texto integral da declaração UE de conformidade está disponível no seguinte endereço da Internet: skullcandy.eu/product-documents

DICHIARAZIONE DI CONFORMITÀ UE SEMPLIFICATA

Con la presente, Skullcandy Internation GmbH dichiara che il tipo di apparecchiatura radio [Modello: S6HVW] è conforme alla Direttiva 2014/53 / UE. Il testo completo della dichiarazione di conformità UE è disponibile al seguente indirizzo internet: skullcandy.eu/product-documents

VEREINFACHTE EU-KONFORMITÄTSERKLÄRUNG

Hiermit erklärt die Skullcandy Internation GmbH, dass der Funkgerätetyp [Modell: S6HVW] der Richtlinie 2014/53 / EU entspricht.

Der vollständige Text der EU-Konformitätserklärung ist unter folgender Internetadresse abrufbar: skullcandy.eu/product-documents