

eMACROS Wireless Portable Speakerphone for Conference calls and Music

USER'S GUIDE

MODEL:MC-919



Thank you for purchasing this eMACROS product. This user guide will help you to familiarize yourself with all the features of your newly purchased product.

Connecting your speaker

This speaker can be connected through Bluetooth (BT) connectivity to connect your audio device (tablet, Smartphone).

Bluetooth Connectivity

1. The speaker will automatically search for available Bluetooth device upon turning on.
2. Look for "MC-919" name in your device's Bluetooth device's list and choose connect.
3. Single press on BT button shall
 - Initiate pairing if the speaker is not connected to any device.
 - not have any effect on the current BT connection.
4. Long press on BT button shall
 - Disconnect current BT connection and restart pairing.
5. Single press on BT button when BT in searching or pairing shall turn off BT. BT LED will off.

6

Notes, cautions, and warnings

- NOTE: A NOTE indicates important information that helps you make better use of your Speaker.
- CAUTION: A CAUTION indicates either potential damage to hardware or loss of data and tells you how to avoid the problem.
- WARNING: A WARNING indicates a potential for property damage, personal injury, or death.

Rev. A00

1

True Wireless Stereo Connectivity

NOTE: The Speaker can be paired with another Speaker using TWS connection. True Wireless Stereo connection is possible only, when two speakers are connected with each other and the first speaker (master) is connected to a Bluetooth device.

1. Pair the first speaker (master) to a Bluetooth device.
2. Press the TWS button to make the speaker a Master (Sender): TWS LED start slow blinking in Blue.
 - a. Press the TWS button to make speaker 2 a Slave (Receiver) and enter TWS pairing mode.
 3. In TWS mode, press the TWS button to toggle between Stereo and Downmix modes.
 4. To exit TWS mode
 - a. Turn off either the master or slave, both speakers will turn off.
 - b. Press and hold the TWS button on either Master/Slave. All previous TWS pairing information is cleared from the speaker.

Noted: The blue backlit of TWS button to show the Master

7

Contents

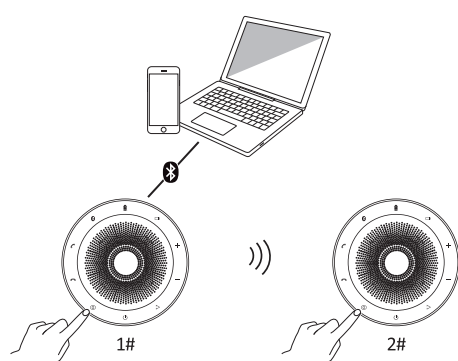
What's in the box	3
Features	3
Setting up your speaker	5
Powering your speaker on	5
Powering your speaker off	5
Connecting your speaker	6
Bluetooth Connectivity	6
True Wireless Stereo Connectivity	7
TWS Connectivity (Stereo &Downmix Mode)	8
Adjusting the volume	9
Answering Call	10
Ending Call	12
Multiple call handling	12
Battery status	13
Voice Assistant	13
How to charge	14
Automatic Power Off	14
Voice Guidance	15
Factory Reset	15
Troubleshooting	16
Specifications	19
FCC Statement	21

2

unit; the white backlit of TWS button to show the Receiver unit.

TWS Connectivity (Stereo &Downmix Mode)

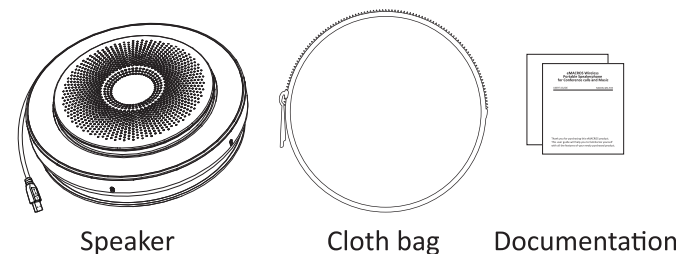
1. Stereo Mode



8

What's in the box

NOTE: The documents that shipped with the speaker may vary based on your region.

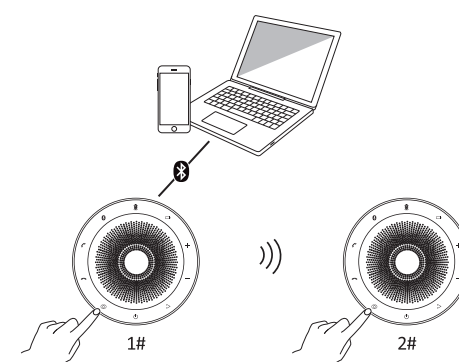


Features

- Built-in Qualcomm's most advanced Bluetooth chip with CSR8675.
- Crystal clear sound for exceptional sound quality for conference calls and music.
- Built-in (QoSOUND™ Advanced NCS-16 (Wide band 16KHz noise suppression)/ AES(Acoustic echo cancelation)/ FFS(Far field voice pickup)/ BFS(2-mic based beamforming) Software Algorithms to provide an optimal call quality.

3

2. Downmix Mode



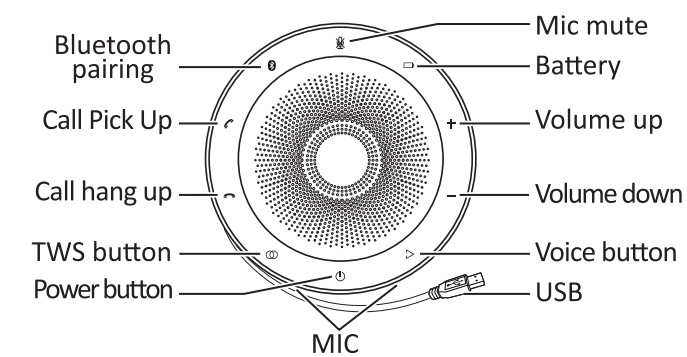
9

Adjusting the volume

1. Press the + button to adjust the volume up. The maximum blue LED will flicker when the speaker is at the maximum volume.
2. Press the - button to adjust the volume down. The minimum blue LED will flicker when the speaker is at the minimum volume.

10

- Lightweight design and protection of travel bags for easy carrying out, and up to 10hours of battery life.
- Flexible application in various conference environments.
- Interact with your voice assistant with the one touch Voice button to personalize your speakerphone with Siri, Google now or MS Cortana.
- Compatibility with UC systems&VoIP clients.



11

Setting up your speaker

Powering your speaker on

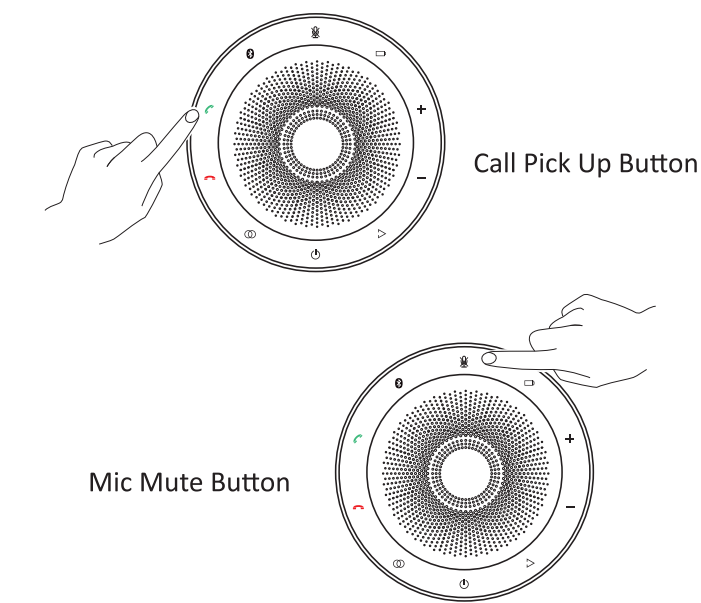
1. The speaker has built in battery.
2. Press the power button to power on the speaker. Power button LED will light.
3. The speaker will auto search for external Bluetooth (BT) device after power up.

Powering your speaker off

1. If the speaker is already powered on, press the power button to power off the speaker.
2. Power button LED will turn off. (If DC power is supplied, the Battery LED will continue to light to show the battery charging status.)

speaker is in mute state.

NOTE: Some IP call applications might not inform the speaker when there is an incoming call. You can still answer the call through the PC or the mobile device.

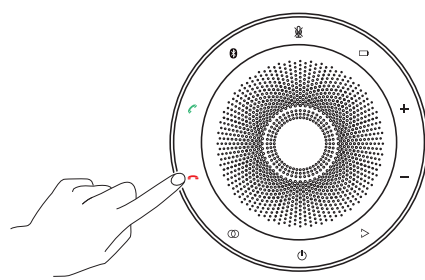


11

Ending Call

To end the call, press hang up button.

NOTE: IP call applications that did not inform the speaker when there is an incoming call, will also not allow you to end the call through hang up button. You can still end the call through the PC or the mobile device.



12

Multiple call handling

The Speakerphone can accept and handle multiple calls simultaneously.

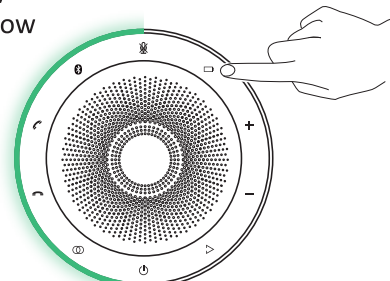
When call is ongoing, press the Pick up button to put current call on hold and answer incoming call, press the Pick up button

again to switch between held call and active call. Press the Hang up button to reject incoming call.

Battery status

To check the status of Battery, press the Battery button. The LED ring will light up to show the current status of battery.

- Green -- Battery Good
- Red -- Battery Low



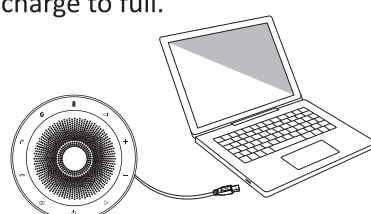
13

Voice Assistant

To activate the voice assistant function of mobile phone, tap the Voice button.

How to charge

Plug the Speaker into a USB power source using the attached USB cable. Takes approx. 4 hours to fully charge. The white backlit of Battery button will breathe flicker during charging mode. The white backlit of Battery button will turn off when the battery charge to full.



14

Automatic Power Off

To save the current consumption of battery, Speaker will enter sleep mode automatically when it has not been connected to a Bluetooth device or not playing music for 1 minute, the power LED will breathe blinking to show the sleep mode. It will power off automatically after 2

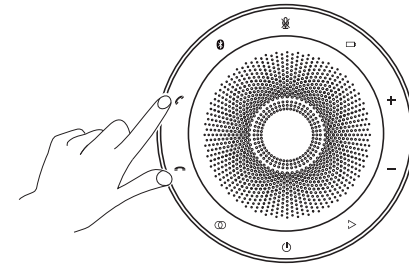
hours.

Voice Guidance

The voice guidance can be turned on or off by press and hold the Mute button for 8 seconds.

Factory Reset

Resetting the speaker will clear the list of paired Bluetooth devices and also clears all personalized settings. To factory reset, press and hold the Answer call button and the End call button at the same time for 8 seconds until the speaker automatic restart.



15

FCC Statement

This equipment has been tested and found to comply with the limits for a Class B digital device, pursuant to Part 15 of the FCC Rules. These limits are designed to provide reasonable protection against harmful interference in a residential installation. This equipment generates uses and can radiate radio frequency energy and, if not installed and used in accordance with the instructions, may cause harmful interference to radio communications. However, there is no guarantee that interference will not occur in a particular installation. If this equipment does cause harmful interference to radio or television reception, which can be determined by turning the equipment off and on, the user is encouraged to try to correct the interference by one or more of the following measures:

- Reorient or relocate the receiving antenna.
- Increase the separation between the equipment and receiver.
- Connect the equipment into an outlet on a circuit different from that to which the receiver is connected.
- Consult the dealer or an experienced radio/TV technician for help.

This device complies with part 15 of the FCC Rules. Operation is subject to the following two conditions:

- (1) This device may not cause harmful interference, and
- (2) this device must accept any interference received, including interference that may cause undesired operation.

Changes or modifications not expressly approved by the party responsible for compliance could void the user's authority to operate the equipment.

21

Troubleshooting

Problems	Possible causes	Possible solutions
Low volume	Volume is too low	<ul style="list-style-type: none"> • Turn the volume to a higher level by pressing the "+" button on the speaker. • Set all Windows volume controls to maximum. • Increase the volume of the audio application. • Test the speaker using another audio source.

16

Abnormal sound	Buzzing noise could be heard from the speaker	<ul style="list-style-type: none"> • Make sure that the speaker is on a flat surface and no loose objects are hanging or touching the speaker. • Reduce the volume to a lower level by pressing the "-" button and observe if the buzzing noise level follows the volume level. • Try changing the music playing and observe if the same buzzing noise can be heard.
	Distortion could be heard	<ul style="list-style-type: none"> • Clear any obstructions between the speaker and the user. • Decrease the volume of the audio source. • Turn the volume level to a lower setting by pressing the "-" button.

17

No sound	No sound from the Bluetooth connection	<ul style="list-style-type: none"> • Check the speakerphone if have correct connecting to the mobile phone or PC by the Bluetooth connection. • Increase the volume level of the speaker/mobile phone/PC.
	No sound in TWS connection	<ul style="list-style-type: none"> • In TWS connectivity (Stereo and Downmix mode), only one speaker must be connected to a BT device. • Disconnect one speaker, if both are connected to a BT device.

18

Specifications

General

Model number MC-919

Electrical

Built-in Battery	3.7V/1800mAh
Charge voltage	USB 5 V
Charge current	600mA
Charge time	About 4hours
Battery Life	Up to 10hours playback time
Audio Input	Bluetooth
Output Power	4W @ ≤1% THD
Frequency range	120Hz--20KHz
Bluetooth receiving distance	Class II up to 30FT(10m) with open area
Bluetooth Version	V5.0
Supported Bluetooth profiles	A2DP(V1.2)/HFP V1.6/AVRCP V1.4
Paired devices	Up to 8 trusted devices
Microphones	Omnidirectional

19

Operating temperature	0°C to 45°C (32°F to 113°F)
Storage temperature	-20°C to 60°C (-4°F to 140°F)

Physical Characteristics

Diameter	130 mm (5.11in)
Height	42 mm (1.65in)
Weight	334g

20

Our vision is to create a world global leader in home security solutions and products. We design and engineer residential intelligent home solution. Our company philosophy is to direct our efforts based on our client's wishes. Hope you happiness and enjoy with our products. Any products problem or damage by delivery, we can offer a replacement to you.

If you have any query, please contact our support team at macross.service@outlook.com

22