



CSM1041P

EN	Original instructions	03
DE	Übersetzung der Originalbetriebsanleitung	09
NL	Vertaling van de oorspronkelijke gebruiksaanwijzing	15
FR	Traduction de la notice originale	21
ES	Traducción del manual original	27
PT	Tradução do manual original	33
IT	Traduzione delle istruzioni originali	39
SV	Översättning av bruksanvisning i original	45
FI	Alkuperäisten ohjeiden käännös	51
NO	Oversatt fra original veiledning	56
DA	Oversættelse af den originale brugsanvisning	62

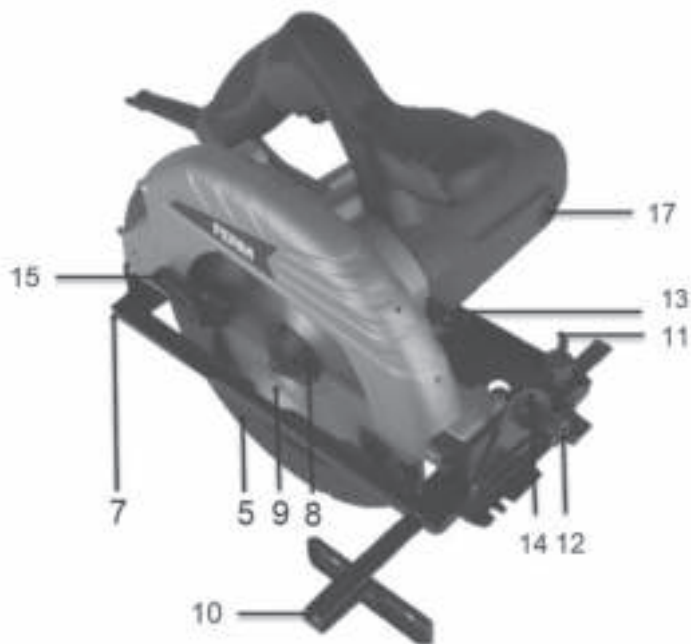
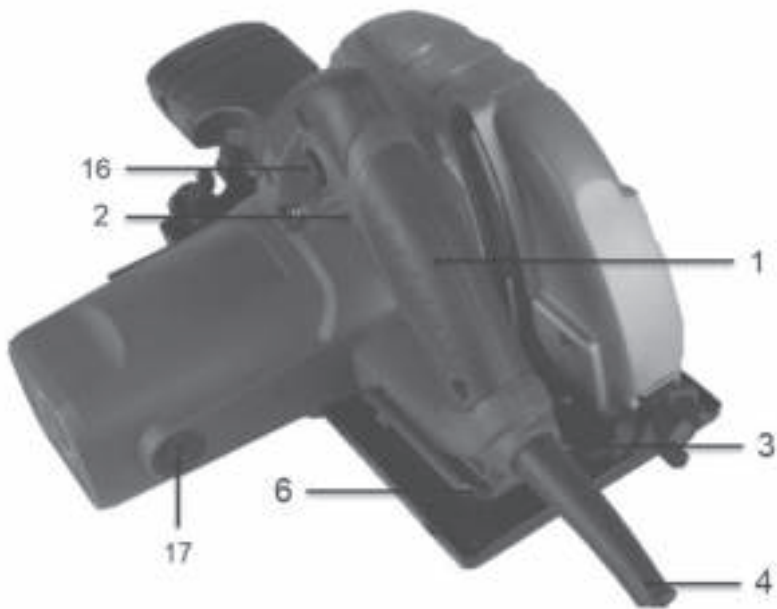


Fig. 1

CIRCULAR SAW

Thank you for buying this Ferm product.

By doing so you now have an excellent product, delivered by one of Europe's leading suppliers. All products delivered to you by Ferm are manufactured according to the highest standards of performance and safety. As part of our philosophy we also provide an excellent customer service, backed by our comprehensive warranty. We hope you will enjoy using this product for many years to come.

The pictures mentioned in the text are corresponding with the pictures at page 2



For your own safety and for the safety of others, please read these instructions carefully before using this appliance. It will help you understand your product more easily and avoid unnecessary risks. Keep this instruction manual in a safe place for future use.

Contents

1. Machine data
2. Safety instructions
3. Assembly and adjusting instructions
4. Operation
5. Maintenance

1. MACHINE DATA

Technical specifications

Voltage	220-240 V
Frequency	50 Hz
Power input	1050 W
No load speed	4900/min
Saw blade dimensions	Ø185*20*2.4mm
	Ø190*30*2.4mm
Max sawing depth 90°	68 mm
Max sawing depth 45°	46 mm
IP Class	IP 20
Weight	4.19 kg
Lpa (sound pressure level)	88+3 dB(A)
Lwa (sound power level)	99+3 dB(A)
aw(vibration value)	2+1.5 m/s ²

Vibration level

The vibration emission level stated in this instruction manual has been measured in accordance with a standardised test given in EN 62841; it may be used to compare one tool with another and as a preliminary assessment of exposure to vibration when using the tool for the applications mentioned

- using the tool for different applications, or with different or poorly maintained accessories, may significantly increase the exposure level
- the times when the tool is switched off or when it is running but not actually doing the job, may significantly reduce the exposure level

Protect yourself against the effects of vibration by maintaining the tool and its accessories, keeping your hands warm, and organizing your work patterns

Product information

Fig. A

1. Handgrip
2. On/off switch
3. Cut depth clamping knob
4. Power cord
5. Saw blade safety guard
6. Hexagon screw
7. Soleplate
8. Retaining ring
9. Saw blade
10. Parallel guide
11. Parallel guide clamping knob
12. Sawing angle clamping knob
13. Shaft locking knob
14. Angle indicator
15. Knob
16. Safety switch
17. Carbon brush screw

Contents of packing

- 1 Circular handsaw
- 1 Parallel guide
- 1 Allen key

Check first whether or not the delivery has been damaged by transport and/or whether all the parts are present.

2. SAFETY INSTRUCTIONS

Explanation of the symbols



Denotes risk of personal injury, loss of life or damage to the tool in case of non-observance of the instructions in this manual.



Indicates electrical shock hazard.



Keep bystanders away



Wear ear and eye protection



Wear a dust mask. Working with wood, metals and other materials may produce dust that is harmful to health. Do not work with material containing asbestos

Danger

- a) Keep hands away from cutting area and the blade. Keep your second hand on auxiliary handle, or motor housing. If both hands are holding the saw, they cannot be cut by the blade.
- b) Do not reach underneath the workpiece. The guard cannot protect you from the blade below the workpiece.
- c) Adjust the cutting depth to the thickness of the workpiece. Less than a full tooth of the blade teeth should be visible below the workpiece.
- d) Never hold piece being cut in your hands or across your leg. Secure the workpiece to a stable platform. It is important to support the work properly to minimize body exposure, blade binding, or loss of control.
- e) Hold power tool by insulated gripping surfaces when performing an operation where the cutting tool may contact hidden wiring or its own cord. Contact with a "live" wire will also make exposed metal parts of the power tool "live" and shock the operator.
- f) When ripping always use a rip fence or straight edge guide. This improves the accuracy of cut and reduces the chance of blade binding.
- g) Always use blades with correct size and shape (diamond versus round) of arbour holes. Blades that do not match the mounting hardware of the saw will run eccentrically, causing loss of control.
- h) Never use damaged or incorrect blade washers or bolt. The blade washers and bolt were specially designed for your saw, for optimum performance and safety of operation.

Causes and operator prevention of kickback

- Kickback is a sudden reaction to a pinched, bound or misaligned saw blade, causing an uncontrolled saw to lift up and out of the workpiece toward the operator;
- When the blade is pinched or bound tightly by the kerf closing down, the blade stalls and the motor reaction drives the unit rapidly back toward the operator;
- If the blade becomes twisted or misaligned in the cut, the teeth at the back edge of the blade can dig into the top surface of the wood causing the blade to climb out of the kerf and jump back toward the operator.

Kickback is the result of saw misuse and/or incorrect operating procedures or conditions and can be avoided by taking proper precautions as given below.

- a) Maintain a firm grip with both hands on the saw and position your arms to resist kickback forces. Position your body to either side of the blade, but not in line with the blade. Kickback could cause the saw to jump backwards, but kickback forces can be controlled by the operator, if proper precautions are taken.
- b) When blade is binding, or when interrupting a cut for any reason, release the trigger and hold the saw motionless in the material until the blade comes to a complete stop. Never attempt to remove the saw from the work or pull the saw backward while the blade is in motion or kickback may occur. Investigate and take corrective actions to eliminate the cause of blade binding.
- c) When restarting a saw in the workpiece, centre the saw blade in the kerf and check that saw teeth are not engaged into the material. If saw blade is binding, it may walk up or kickback from the workpiece as the saw is restarted.
- d) Support large panels to minimise the risk of blade pinching and kickback. Large panels tend to sag under their own weight. Supports must

be placed under the panel on both sides, near the line of cut and near the edge of the panel.

- e) Do not use dull or damaged blades. Unsharpened or improperly set blades produce narrow kerf causing excessive friction, blade binding and kickback.
- f) Blade depth and bevel adjusting locking levers must be tight and secure before making cut. If blade adjustment shifts while cutting, it may cause binding and kickback.
- g) Use extra caution when making a “plunge cut” into existing walls or other blind areas. The protruding blade may cut objects that can cause kickback.

Safety instructions lower guard

- a) Check lower guard for proper closing before each use. Do not operate the saw if lower guard does not move freely and close instantly. Never clamp or tie the lower guard into the open position. If saw is accidentally dropped, lower guard may be bent. Raise the lower guard with the retracting handle and make sure it moves freely and does not touch the blade or any other part, in all angles and depths of cut.
- b) Check the operation of the lower guard spring. If the guard and the spring are not operating properly, they must be serviced before use. Lower guard may operate sluggishly due to damaged parts, gummy deposits, or a build-up of debris.
- c) Lower guard should be retracted manually only for special cuts such as “plunge cuts” and “compound cuts.” Raise lower guard by retracting handle and as soon as blade enters the material, the lower guard must be released. For all other sawing, the lower guard should operate automatically.
- d) Always observe that the lower guard is covering the blade before placing saw down on bench or floor. An unprotected, coasting blade will cause the saw to walk backwards, cutting whatever is in its path. Be aware of the time it takes for the blade to stop after switch is released.

Before using the circular saw

Check the following points:

- *Does the voltage of the motor correspond with the mains voltage (appliances for a mains voltage of 220-240 V*

- *Are the mains lead and the mains plug in a good condition: solid, without any loose ends or damage;*
- *Is the saw blade missing any teeth or showing any cracks, it so must be replaced immediately.*
- *Make sure the blade is secure.*
- *Use this circular saw to saw only wood, wood-like products.*
- Do not use circular saw blades which are deformed or damaged.
- Do not use HSS blades.
- Only use blades meeting the required dimensions, as well as data and descriptions;
- Never apply any blades of which the thickness is greater than that of the riving knife.
- Do not stop the blade of a circular saw by pressing the blade from the side.
- Check that the blade guard can freely move and fully closes.
- Never lock-up the guard in the open position.
- Never put sideward pressure on the blade. This may cause the blade to break.
- Be careful when cutting wood with knots, nails or cracks in it and/or dirt on it, as these can cause the blade to get stuck.
- Never leave the circular saw unattended.
- Use this circular saw to saw only wood or wood-like products.

Using the machine

- Use clamps or a vice to hold the work.
- Never remove wood chips and saw dust that is close to the saw blade with your hands. If there are small pieces of wood left between the fixed and the movable parts, the circular saw will have to be stopped. The plug needs to be removed from the socket, before any left piece can be removed.
- Check that the blade is suitable for the spindle speed of the circular saw. Do not attempt to cut before the circular saw has reached full speed. Make sure the circular saw runs without load (i.e. is not in contact with the work) when you switch it on. The circular saw must have reached its full speed first.
- Never cut wood that is thicker than the depth of the saw blade.
- When cutting in wooden walls or floors, check there is no wiring or piping where you intend to cut.

- Switch off the tool and wait until the blade has stopped completely before moving the saw away from the work or putting it down. Hearing protection should be worn when using circular saw.

Switch off the machine immediately when you discover:

- A defective mains plug or mains lead;
- A defective switch.
- Overheating of the circular saw.
- Smoke or odour caused by scorched insulation.

Electrical safety

When using electric machines always observe the safety regulations applicable in your country to reduce the risk of fire, electric shock and personal injury. Read the following safety instructions and also the enclosed safety instructions. Keep these instructions in a safe place!



Always check that the power supply corresponds to the voltage on the rating plate.



Class II machine – Double insulation – You don't need any earthed plug.

Replacing cables or plugs

If the mains cable becomes damaged, it must be replaced with a special mains cable available from the manufacturer or the manufacturer's customer service. Dispose of old cables or plugs immediately after replacing them with new ones. It is dangerous to connect the plug of a loose cable to a socket.

Using extension cables

Only use an approved extension cable suitable for the power input of the machine. The minimum conductor size is 1.5 mm². When using a cable reel always unwind the reel completely.

3. ASSEMBLY AND ADJUSTING INSTRUCTIONS



Before adjusting the saw, make sure the plug is removed from the socket.

Setting the sawing angle (bevel)

- Loosen both knobs (12).
- Rotate the soleplate to the correct position (0° - 45°), and tighten the knobs. The sawing angle (bevel) can be read on the angle indicator (14).

Fitting the parallel guide

- Loosen knob (11).
- Insert the parallel guide into the slots provided.
- Set the correct cut width and tighten the knob (11).

Setting the cutting depth

- Loosen knob (3).
- Move the soleplate (7) downwards.
- Tighten the clamping knob (3) once the correct depth is set.

Exchanging or cleaning the saw blade



Use only saw blades recommended by the manufacturer, which conform to EN 847-1.

- Use the shaft locking knob (13) to prevent the shaft from rotating.
- Next loosen the hexagon screw (6) in the centre of the saw blade, using the Allen key provided.
- Turn the safety guard to the rear, and hold it there with the aid of the knob (15).
- Withdraw the retaining ring and the saw blade, and clean the saw blade, or replace it with a new one.
- Again place the saw blade back on the shaft.
- Allow the safety guard to return over the saw blade by releasing the knob (15).
- Press the shaft locking knob (13) back in, refit the retaining ring (8) and tighten the hexagon screw (6) firmly once more.

4. OPERATION



Use of hearing protection is recommended while operating the circular saw.

Switching On/Off

- Press knob (16) with your right-hand thumb and keep it depressed.
- Press knob (2) to start the saw.
- Release knob (2) to stop the saw.

Operation

- Hold the work using clamps or a vice to have both hands free to operate the saw.
- Switch on the saw and place the bottom plate on the work.
- Slowly move the saw towards the previously drawn cutting line and slowly press the tool forward.
- Firmly press the bottom plate on the work, otherwise the circular saw may start to vibrate, causing the blade to break more easily.



Let the saw do the job. Do not put undue pressure on the circular saw.

5. MAINTENANCE



Make sure that the machine is not live when carrying out maintenance work on the motor.

The machines have been designed to operate over a long period of time with a minimum of maintenance. Continuous satisfactory operation depends upon proper machine care and regular cleaning.

Troubleshooting

Below we have listed a few probable causes and solutions to which you can refer if your circular saw does not function properly.

1. The temperature of the electric motor exceeds 70°C.

- The motor has been overloaded by working it too hard.
 - Cut more slowly and allow the motor to cool down.

- The motor is defective.
 - Please contact the service address on the warranty card.

2. The tool does not work when switched on.

- Damaged cord and/or plug.
 - Check cord and/or plug.
- Defective switch.
 - Please contact the service address on the warranty card.

3. When cutting it is very difficult to move the work forward in a straight line and the cut is not clean.

- The blade is bent or blunt.
 - Replace the blade.

4. The circular saw makes a lot of noise and/or does not run smoothly.

- The carbon brushes are worn.
 - Please contact the service address on the warranty card.

Cleaning

Keep the ventilation slots of the machine clean to prevent overheating of the engine. Regularly clean the machine housing with a soft cloth, preferably after each use. Keep the ventilation slots free from dust and dirt.

If the dirt does not come off use a soft cloth moistened with soapy water. Never use solvents such as petrol, alcohol, ammonia water, etc. These solvents may damage the plastic parts.

Replacing the carbon brushes

- Remove the screws (17).
- Withdraw the carbon brushes (18) from the circular handsaw and inspect them for wear.
- Place the carbon brushes back in the brush holders provided.
- Check that the copper contact on the carbon brushes makes good contact with the copper part in the brush holder.
- Replace the screws (17) and tighten them firmly.



If the brushes have worn down to less than 4 mm, replace.

Lubrication

The machine requires no additional lubrication.

Faults

Should a fault occur, e.g. after wear of a part, please contact the service address on the warranty card. In the back of this manual you find an exploded view showing the parts that can be ordered.

ENVIRONMENT

To prevent damage during transport, the appliance is delivered in a solid packaging which consists largely of reusable material. Therefore please make use of options for recycling the packaging.



Faulty and/or discarded electrical or electronic apparatus have to be collected at the appropriate recycling locations.

WARRANTY

The warranty conditions can be found on the separately enclosed warranty card.

KREISSÄGE

Vielen Dank, dass Sie sich für den Kauf dieses Ferm-Produkts entschieden haben.

Sie besitzen nun ein hervorragendes Produkt von einem führenden europäischen Lieferanten. Alle Ferm-Produkte werden nach höchsten Leistungs- und Sicherheitsstandards gefertigt. Gemäß unserer Philosophie bieten wir Ihnen einen exzellenten Kundenservice sowie eine vollständige Garantie auf unsere Produkte. An diesem Produkt werden Sie noch viele Jahre Ihre Freude haben.

Die Nummer im nachfolgenden Text korrespondieren mit den Abbildungen auf Seite 2



Lesen Sie diese Anleitung im Hinblick auf Ihre eigene Sicherheit und die Sicherheit anderer bitte vor der Benutzung dieses Geräts gründlich durch. Dadurch verstehen Sie Ihr Produkt besser und vermeiden unnötige Risiken. Bewahren Sie diese Anleitung zum künftigen Gebrauch an einer sicheren Stelle auf.

Inhalt

1. Technische Daten
2. Sicherheitsvorschriften
3. Montage und einstellung
4. Bedienung
5. Wartung

1. TECHNISCHE DATEN

Gerätedaten

Spannung	220-240 V~
Frequenz	50 Hz
Aufnahmeleistung	1050 W
Drehzahl unbelastet/min	4900/min
Abmessung Sägeblatt	Ø185*20*2.4mm Ø190*30*2.4mm
Max. Schnitttiefe 90°	68 mm
Max. Schnitttiefe 45°	46 mm
IP Klasse	IP 20
Gewicht	4.19 kg
Lpa (Schalldruckpegel)	88+3 dB(A)
Lwa (Schalleistungspegel)	99+3 dB(A)
Vibrationswert	2+1,5 m/s ²

Vibrationsstufe

Die im dieser Bedienungsanleitung angegebene Vibrationsemissionsstufe wurde mit einem standardisierten Test gemäß EN 62841 gemessen; Sie kann verwendet werden, um ein Werkzeug mit einem anderen zu vergleichen und als vorläufige Beurteilung der Vibrationsexposition bei Verwendung des Werkzeugs für die angegebenen Anwendungszwecke

- die Verwendung des Werkzeugs für andere Anwendungen oder mit anderem oder schlecht gewartetem Zubehör kann die Expositionsstufe erheblich erhöhen
- Zeiten, zu denen das Werkzeug ausgeschaltet ist, oder wenn es läuft aber eigentlich nicht eingesetzt wird, können die Expositionsstufe erheblich verringern

Schützen Sie sich vor den Auswirkungen der Vibration durch Wartung des Werkzeugs und des Zubehörs, halten Sie Ihre Hände warm und organisieren Sie Ihren Arbeitsablauf

Produktinformation

Abb. A

1. Handgriff
2. Ein-/Ausschalter
3. Feststellknopf Schnitttiefe
4. Netzkabel
5. Sägeblatt-Berührungsschutz
6. Sechskantschraube
7. Grundplatte
9. Sprengring
9. Sägeblatt
- 10.Parallelanschlag
- 11.Feststellknopf Parallelanschlag
- 12.Feststellknopf Schnittwinkel
- 13.Feststellknopf Schaft
- 14.Winkelmesser
- 15.Knopf
- 16.Sicherheitsschalter
- 17.Kohlebürstenschraube
- 18.Kohlebürste

Verpackungsinhalt

- 1 Handkreissäge
- 1 Parallelanschlag
- 1 Innensechskantschlüssel

Überprüfen Sie die Maschine, lose Teile und Zubehör auf Transportschäden.

2. SICHERHEITSVORSCHRIFTEN

Erläuterung der Symbole



Lebens- und Verletzungsgefahr und Gefahr von Beschädigungen am Gerät bei Nichteinhaltung der Sicherheitsvorschriften in dieser Anleitung.



Deutet das Vorhandensein elektrischer Spannung an.



Ziehen Sie, falls das Kabel beschädigt wird und auch während Wartungsarbeiten, sofort den Netzstecker.



Zuschauer fernhalten.



Tragen Sie Augen- und Gehörschutzvorrichtungen



Tragen Sie eine Staubmaske. Bei der Arbeit an Holz, Metallen oder anderen Materialien kann gesundheitsschädlicher Staub entstehen. Arbeiten Sie nicht mit asbesthaltigem Material!

Gefahr

- Bringen Sie Ihre Hände nicht in die Nähe des Sägeblatts oder Sägebereichs. Legen Sie die zweite Hand auf den Zusatzgriff oder das Motorgehäuse. Wenn beide Hände die Säge halten, können sie nicht durch das Sägeblatt verletzt werden.
- Fassen Sie nicht unter das Werkstück. Die Schutzhaube kann Sie nicht vor dem Sägeblatt unter dem Werkstück schützen.
- Passen Sie die Sägetiefe an die Stärke des Werkstücks an. Unter dem Werkstück sollte weniger als ein Zahn des Sägeblatts vollständig zu sehen sein.
- Halten Sie das zu schneidende Stück niemals in den Händen oder über den Beinen. Sichern Sie das Werkstück auf einer stabilen Plattform. Es ist wichtig, das Werkstück ordnungsgemäß abzustützen, um Körperbelastung, Klemmen des Sägeblatts oder Kontrollverlust zu minimieren.
- Halten Sie das strombetriebene Gerät an den isolierten Griffflächen fest, wenn das

Sägewerkzeug im Betrieb versteckte Kabel oder das eigene Stromkabel verletzen könnte. Durch Kontakt mit einem unter Spannung stehenden Stromkabel werden freiliegende Metallteile des strombetriebenen Geräts ebenfalls unter Spannung gesetzt, und es kann zu einem Stromschlag kommen.

- Verwenden Sie beim Längssägen immer einen Parallelanschlag oder eine Gleitführung. Damit erhalten Sie einen präziseren Schnitt und können verhindern, dass sich die Sägeblätter verklemmen.
- Verwenden Sie stets Blätter mit den passenden Aufstecklöchern. Blätter, die nicht auf den Aufsatz der Säge passen, rotieren außermittig, was zu einem Kontrollverlust führt.
- Verwenden Sie niemals beschädigte oder falsche Sägescheiben oder Bolzen. Die Sägescheiben und Bolzen wurden speziell für Ihre Säge hergestellt, um eine optimale Leistung und ein sicheres Arbeiten zu gewährleisten.

Ursachen für einen Rückschlag und Vorbeugungsmaßnahmen

- Ein verklemmtes oder falsch aufgesetztes Sägeblatt kann Ursache für einen Rückschlag sein, bei dem die Säge außer Kontrolle gerät und in Richtung des Benutzers ausschlägt.
- Wenn das Sägeblatt durch die Schnittfuge geklemmt wird, bleibt das Sägeblatt stecken und wird durch die Motorreaktion ruckartig zum Benutzer gelenkt.
- Wenn das Blatt beim Sägen verbogen oder verzogen wird, kann sich der hinterste Zahn in die Oberfläche des Werkstücks bohren, sodass das Blatt aus der Schnittfuge herauspringt und in Richtung des Benutzers zurückfährt.

Ein Rückschlag ist das Ergebnis von unsachgemäßer Verwendung der Säge, dem durch folgende Maßnahmen vorgebeugt werden kann:

- Halten Sie die Säge mit beiden Händen fest, und positionieren Sie Ihre Arme so, dass Sie den Kräften im Falle eines Rückschlags entgegenwirken können. Stellen Sie sich seitlich zum Sägeblatt hin, niemals in einer Linie mit dem Sägeblatt. Bei einem Rückschlag springt die Säge zurück. Sie können den Rückschlagkräften jedoch entgegenwirken,

wenn Sie entsprechende Vorsichtsmaßnahmen ergreifen.

- b) Wenn das Sägeblatt klemmt oder wenn Sie den Sägevorgang aus irgendeinem Grund unterbrechen, schalten Sie das Gerät aus, und halten Sie die Säge solange im Werkstück, bis das Blatt vollständig zum Stillstand kommt. Ziehen Sie die Säge niemals aus dem Werkstück heraus oder führen sie zurück, solange das Blatt rotiert oder die Gefahr eines Rückschlags besteht. Überprüfen Sie das Gerät, und ergreifen Sie Maßnahmen, um ein Klemmen des Sägeblatts zu verhindern.
- c) Wenn Sie den Sägevorgang an einem Werkstück fortsetzen, platzieren Sie das Sägeblatt in die Mitte der Schnittfuge, und stellen Sie sicher, dass die Sägezähne nicht in das Material greifen. Klemmt das Sägeblatt, springt es beim Neustart der Säge möglicherweise aus dem Werkstück heraus oder verursacht einen Rückschlag der Säge.
- d) Stützen Sie große Werkstücke ab, um ein Klemmen des Sägeblatts und einen Rückschlag zu verhindern. Große Werkstücke neigen dazu, unter ihrem eigenen Gewicht nachzugeben. Die Stützen sind unter dem Werkstück an beiden Seiten zu platzieren: in der Nähe der Sägelinie und am Ende des Werkstücks.
- e) Verwenden Sie keine stumpfen oder beschädigten Blätter. Ungeschärfte oder nicht korrekt aufgesetzte Blätter erzeugen eine enge Schnittfuge und führen des Weiteren zu übermäßiger Reibung, Verklemmung und Rückschlag.
- f) Sägeblatt und Verriegelungshebel müssen vor dem Sägen festgezogen und gesichert sein. Wenn das Blatt sich beim Sägen aus der festgelegten Position löst, kann es zur Verklemmung und zum Rückschlag kommen.
- g) Lassen Sie besondere Vorsicht walten, wenn Sie in Wände oder andere Blindbereiche einstechen. Das eindringende Sägeblatt schneidet möglicherweise Objekte, die einen Rückschlag verursachen können.

Sicherheitsanweisungen – untere Schutzabdeckung

- a) Stellen Sie vor jedem Gebrauch sicher, dass die untere Schutzabdeckung ordnungsgemäß geschlossen ist. Verwenden Sie die Säge nicht, wenn die untere Schutzabdeckung

keinen Bewegungsfreiraum hat und nicht sofort schließt. Klemmen oder ziehen Sie die untere Schutzabdeckung niemals in offener Position fest. Sollte die Säge einmal herunterfallen, könnte die Schutzabdeckung anschließend verbogen sein. Ziehen Sie die untere Schutzabdeckung mit dem Rückzuggriff hoch, und stellen Sie sicher, dass sie Bewegungsfreiraum hat und bei jedem Sägewinkel bzw. jeder Sägetiefe nicht mit dem Sägeblatt oder einem anderen Teil in Berührung kommt.

- b) Überprüfen Sie die Feder der unteren Schutzabdeckung. Wenn die Schutzabdeckung und die Feder nicht ordnungsgemäß funktionieren, sind diese vor Gebrauch zu warten. Die Funktion der unteren Schutzabdeckung kann aufgrund von beschädigten Teilen, klebrigen Ablagerungen oder Staub beeinträchtigt werden.
- c) Die untere Schutzabdeckung sollte nur für besondere Sägevorgänge wie z. B. Einstechverfahren manuell zurückgezogen werden. Ziehen Sie die untere Schutzabdeckung mit dem Rückzuggriff hoch, und lassen Sie sie los, sobald das Sägeblatt mit dem Material in Berührung kommt. Bei allen anderen Sägevorgängen sollte die untere Schutzabdeckung automatisch funktionieren.
- d) Vergewissern Sie sich immer, dass die untere Schutzabdeckung das Sägeblatt bedeckt, bevor Sie die Säge auf die Werkbank oder den Boden stellen. Durch ein ungesichertes und rotierendes Blatt springt die Säge zurück und schneidet alles, was in ihrem Weg steht. Denken Sie daran, dass es nach dem Abschalten des Geräts einige Zeit dauert, bis das Sägeblatt zum Stillstand kommt.

Vor Ingebrauchnahme der Maschine

Kontrollieren Sie Folgendes:

- *Das Elektrowerkzeug ist für eine Netzspannung von 220-240 V~, bei einer Frequenz von 50/60 Hz ausgelegt.*
- *Achten Sie auf einwandfreien Zustand von Netzstecker und Steckdose;*
- *Verwenden Sie keine Sägeblätter, deren Grundkörper stärker bzw. deren Sägezahnschrankung kleiner ist als die Größe des Spaltkeils.*
- *Fehlen da keine Zähne am Sägeblatt oder*

zeigt das Blatt keine Risse oder Schlitzte. Wenn dies ist passiert, muß das Sägeblatt sofort ersetzt werden.

- *Kontrollieren Sie, ob das Sägeblatt richtig befestigt ist.*
- Verwenden Sie keine deformierten oder rissige Sägeblätter.
- Sägeblätter aus hochlegiertem Schnellarbeitsstahl (HSS-Stahl) dürfen nicht verwendet werden.
- Verwenden Sie keine Sägeblätter, die den in dieser Bedienungsanleitung angegebenen Spezifikationen nicht entsprechen.
- Sägeblätter dürfen nicht durch seitlichen Druck auf den Drückkörper gebremst werden.
- Überprüfen Sie, ob sich die Schutzhaube ohne Klemmen frei bewegen läßt.
- Klemmen Sie die bewegliche Schutzhaube nie im geöffneten Zustand fest.
- Sägeblätter dürfen nicht durch seitlichen Druck gepresst werden.
- Achten Sie beim Holz auf Astlöcher, Nägel, Risse und/oder Schmutz. Das Sägen von solchem Holz kann zu gefährlichem Festlaufen führen.
- Lassen Sie die Kreissäge niemals unbeaufsichtigt.
- Benutze die Kreissäge ausschließlich für das Sägen von Holz und holzartigen Produkten.
- Der Gebrauch eines Gehörschutzes wird beim Betrieb von Kreissägen empfohlen

Während des Gebrauchs der Maschine

- Das Werkstück muß gut festgeklemmt werden.
- Holzreste und ähnliches, die sich in der unmittelbaren Umgebung der Säge befinden, dürfen nicht mit der Hand beseitigt werden. Wenn zwischen den festen und den Teilen, die sich bewegen, noch kleine Holzstückchen sitzen, muss die Maschine zum Halten gebracht werden. Vor dem Entfernen der Holzstückchen erst den Stecker aus der Steckdose ziehen.
- Achten Sie darauf, daß die Kreissäge beim Einschalten unbelastet ist (also nicht mit dem Werkstück in Berührung kommt). Die Kreissäge muß erst die maximale Drehzahl erreicht haben.
- Sägen Sie keine Werkstücke, die dicker als die Länge des Sägeblattes sind.
- Berühren Sie keine Metallteile der Kreissäge, wenn Sie in Holz-Wände oder Böden sägen, in denen sich Elektrokabel befinden können.

Halten Sie die Kreissäge mit beiden Händen am Kunststoffgriff fest, so daß Sie keine Teile berühren, die unter Spannung geraten können, wenn Sie aus Versehen ein Elektrokabel durchsägen.

- Schalten Sie die Kreissäge erst aus und warten Sie, bis die Kreissäge zum Stillstand gekommen ist, bevor Sie sie vom Werkstück nehmen und ablegen.

Das Gerät sofort Ausschalten bei:

- Überhitzung des Kreissäges.
- Störung im Netzstecker, dem Netzkabel oder Kabelbeschädigung.
- Defektem Schalter.
- Rauch oder Gestank verschmorter Isolation.

Elektrische Sicherheit

Beachten beim Benutzen von Elektromaschinen immer die örtlichen Sicherheitsvorschriften bezüglich Feuerrisiko, Elektroschock und Verletzung. Lesen Sie außer den folgenden Hinweisen ebenfalls die Sicherheitsvorschriften im einschlägigen Sonderteil. Die Hinweise müssen sicher aufbewahrt werden!



Überprüfen Sie immer, ob Ihre Netzspannung der des Typenschildes entspricht.



Gerät der Schutzklasse II - schutzisoliert
- kein Schutzkontakt erforderlich.

Austauschen von Kabeln oder Steckern

Wenn die Anschlussleitung beschädigt wird, muss sie durch eine besondere Anschlussleitung ersetzt werden, die vom Hersteller oder seinem Kundendienst erhaltlich ist. Entsorgen Sie alte Kabeln oder Stecker, unmittelbar nachdem Sie durch neue ersetzt sind. Das Anschließen eines Steckers eines losen Kabels an eine Steckdose ist gefährlich.

Verwendung von Verlängerungskabeln

Benutzen Sie nur ein genehmigtes Verlängerungskabel, das der Maschinenleistung entspricht. Die Ader müssen einen Mindestquerschnitt von 1,5 mm² haben. Befindet das Kabel sich auf einem Haspel. muß es völlig abgerollt werden.

3. MONTAGE UND EINSTELLUNG



Kontrollieren Sie bevor Sie die Säge einstellen, ob der Netzstecker aus der Steckdose entfernt wurde.

Schnittwinkелеinstellen (Gehrung)

- Lösen Sie beide Feststellknöpfe (12).
- Drehen Sie die Grundplatte in die gewünschte Position (0°-45°) und ziehen Sie die Knöpfe wieder fest.
- Der Schnittwinkel (Gehrung) kann auf dem Winkelmesser (14) abgelesen werden.

Parallelanschlag Montieren

- Lösen Sie den Feststellknopf (11).
- Setzen Sie den Parallelanschlag in die vorhandenen Schlitzte ein.
- Stellen Sie die gewünschte Schnittbreite ein und ziehen Sie den Knopf wieder fest (11).

Schnitttiefe Einstellen

- Lösen Sie den Feststellknopf (3).
- Schieben Sie die Grundplatte (7) nach unten.
- Wenn die gewünschte Tiefe eingestellt ist, ziehen Sie den Knopf (3) wieder fest.

Sägeblatt Wechseln oder Reinigen



Verwenden Sie nur vom Hersteller empfohlene Sägeblätter, die EN 847-1 entsprechen.

- Arretieren Sie die Welle mit Hilfe des Feststellknopfes (13).
- Lösen Sie dann mit Hilfe des mitgelieferten Inbusschlüssels die Sechskantschraube (6) in der Mitte des Sägeblattes.
- Drehen sie den Berührungsschutz nach hinten und fixieren Sie ihn dort mit dem Feststellknopf (15).
- Nehmen Sie den Sprengring und das Sägeblatt heraus und reinigen Sie das Sägeblatt oder wechseln Sie dieses aus.
- Setzen Sie das Sägeblatt wieder auf die Welle.
- Lösen Sie den Feststellknopf (15), sodass der Berührungsschutz wieder das Sägeblatt abdeckt.
- Drücken Sie den Feststellknopf für die Welle (13) wieder herunter, bringen Sie den Sprengring (8) wieder an und ziehen Sie die Sechskantschraube (6) noch einmal richtig fest.

4. BEDIENUNG



Der Gebrauch eines Gehörschutzes wird beim Betrieb von Kreissägen empfohlen

Das Ein-/Ausschalten

- Drücken Sie den Knopf (16) mit dem Daumen Ihrer rechten Hand ein und halten Sie diesen eingedrückt.
- Drücken Sie anschließend den Knopf (2) ein. Die Kreissäge beginnt nun zu drehen.
- Wenn Sie den Knopf (2) loslassen stoppt die Kreissäge.

Inbetriebnahme

- Klemmen Sie das Werkstück fest, damit Sie beide Hände zum Festhalten und zur Bedienung der Kreissäge frei haben.
- Schalten Sie die Kreissäge ein und setzen Sie die Bodenplatte auf das Werkstück.
- Bewegen Sie die Säge langsam auf der vorher eingezeichneten Sägekante und drücken Sie die Stichsäge langsam nach vorn.
- Drücken Sie die Bodenplatte fest auf das Werkstück. Tun Sie dies nicht, dann kann die Kreissäge vibrieren und das Sägeblatt schnell brechen.



Überlassen Sie der Säge die Arbeit. Drücken Sie nicht zu fest auf die Kreissäge.

5. WARTUNG



Trennen Sie die Maschine vom Netz, wenn Sie am Mechanismus Wartungsarbeiten ausführen müssen.

Die Maschinen sind entworfen, um während einer langen Zeit problemlos und mit minimaler Wartung zu funktionieren. Sie Verlängern die Lebensdauer, indem Sie die Maschine regelmäßig reinigen und fachgerecht behandeln.

Störungen

Für den Fall, daß die Säge nicht ordnungsgemäß funktioniert, zeigen wir Ihnen hier einige mögliche Ursachen und die dazugehörigen Lösungen.

1. Der Elektromotor erhitzt sich auf mehr als 70°C.

- Der Motor wird durch zu große Werkstücke überlastet.
 - *Sägen Sie mit niedrigerem Tempo und lassen Sie den Motor abkühlen.*
- Der Motor ist defekt.
 - *Setzen Sie sich bitte mit auf der Garantiekarte angegebenen Service-adresse in Verbindung.*

2. Die eingeschaltete Maschine funktioniert nicht.

- Unterbrechung im Netzanschluß.
 - *Netzanschluß auf möglichen Kabelbruch kontrollieren.*
- Beschädigung des Schalters.
 - *Setzen Sie sich bitte mit auf der Garantiekarte angegebenen Service-adresse in Verbindung.*

3. Das Werkstück läßt sich sehr schwierig in einer geraden Linie am Säge-blatt entlang bewegen und der Sägeschnitt ist unregelmäßig.

- Das Sägeblatt ist krumm oder stumpf.
 - *Wechseln Sie das Sägeblatt.*

4. Die Kreissäge ist sehr laut und/oder arbeitet sehr unregelmäßig.

- Die Kohlebürsten sind verschlissen.
 - *Setzen Sie sich bitte mit auf der Garantiekarte angegebenen Service-adresse in Verbindung.*

Reinigen

Reinigen Sie das Maschinengehäuse regelmäßig mit einem weichen Tuch, vorzugsweise nach jedem Einsatz. Halten Sie die Lüfterschlitzte frei von Staub und Schmutz. Entfernen Sie hartnäckigen Schmutz mit einem weichen Tuch, angefeuchtet mit Seifenwasser. Verwenden Sie keine Lösungsmittel wie Benzin, Alkohol, Ammonia, usw. Derartige Stoffe beschädigen die Kunststoffteile.

Kohlebürsten Austauschen

Abb. F

- Drehen Sie die Schrauben (17) heraus.
- Nehmen Sie die Kohlebürsten (18) aus der Handkreissäge und kontrollieren Sie diese auf Verschleiß.

- Setzen Sie die Kohlebürsten wieder in die vorgesehene Halterung ein.
- Überprüfen Sie, ob der Kontakt zwischen dem Kupferanschluss der Kohlebürsten und dem Kupferteil der Kohlebürstenhalterungen einwandfrei ist.
- Setzen Sie die Schrauben (17) wieder ein und ziehen Sie diese fest.



Sind die Kohlebürsten kürzer als 4 mm, müssen diese durch neue ausgetauscht werden.

Schmieren

Die Maschine braucht keine zusätzliche Schmierung.

Fehler

Sollte beispielsweise nach Abnutzung eines Teils ein Fehler auftreten, dann setzen Sie sich bitte mit der auf der Garantiekarte angegebenen Serviceadresse in Verbindung. Im hinteren Teil dieser Anleitung befindet sich eine ausführliche Übersicht über die Teile, die bestellt werden können.

UMWELT

Um Transportschäden zu verhindern, wird die Maschine in einer soliden Verpackung geliefert. Die Verpackung besteht weitgehend aus verwertbarem Material. Benutzen Sie also die Möglichkeit zum Recyclen der Verpackung.



Schadhafte und/oder entsorgte elektrische oder elektronische Geräte müssen an den dafür vorgesehenen Recycling-Stellen abgegeben werden.

GARANTIE

Lesen Sie die Garantiebedingungen auf der separat beigefügten Garantiekarte.

CIRKELZAAGMACHINE

Dank u voor het aanschaffen van dit Ferm product.

U heeft een excellent product aangeschaft, geproduceerd door een van Europa's leidende producenten. Alle producten van Ferm zijn geproduceerd volgens de hoogste standaarden betreffende prestaties en veiligheid. Als onderdeel van onze filosofie leveren wij tevens een excellente klantenservice, gesteund door onze uitgebreide garantie.

Wij hopen dat u dit product gedurende vele jaren met plezier zult gebruiken.

De nummers in de nu volgende tekst verwijzen naar de afbeeldingen op pagina 2.



Voor uw eigen veiligheid en die van anderen raden wij u aan deze gebruikershandleiding zorgvuldig door te lezen, voordat u dit apparaat in gebruik neemt. Hierdoor zult u het functioneren van het apparaat beter begrijpen en kunt u onnodige risico's voorkomen. Bewaar deze gebruikershandleiding en de overige documentatie bij het apparaat.

Inhoudsopgave

1. Machinegegevens
2. Veiligheidsvoorschriften
3. Montage en afstelling
4. Bediening
5. Onderhoud

1. MACHINEGEGEVENS

Technische specificaties

Voltage	220-240 V
Frequentie	50 Hz
Opgenomen vermogen	1050 W
Onbelast toerental	4900/min.
Zaagblad afmeting	Ø185*20*2.4mm Ø190*30*2.4mm
Max zaagdiepte 90°	68 mm
Max zaagdiepte 45°	46 mm
IP Class	IP 20
Gewicht	4.19 kg
Lpa (geluidsdruk niveau)	88+3 dB(A)
Lwa (geluidsdruk niveau)	99+3 dB(A)
aw (vibratiewaarde)	2+1,5 m/s ²

Trillingsniveau

Het trillingsemisniveauniveau, dat in deze gebruiksaanwijzing wordt vermeld, is gemeten in overeenstemming met een gestandaardiseerde test volgens EN 62841; deze mag worden gebruikt om twee machines met elkaar te vergelijken en als voorlopige beoordeling van de blootstelling aan trilling bij gebruik van de machine voor de vermelde toepassingen

- gebruik van de machine voor andere toepassingen, of met andere of slecht onderhouden accessoires, kan het blootstellingsniveau aanzienlijk verhogen
- wanneer de machine is uitgeschakeld of wanneer deze loopt maar geen werk verricht, kan dit het blootstellingsniveau aanzienlijk reduceren

Bescherm uzelf tegen de gevolgen van trilling door de machine en de accessoires te onderhouden, uw handen warm te houden en uw werkwijze te organiseren

Product informatie

Fig. A

1. Handgreep
2. Aan/uit schakelaar
3. Knop voor instellen zaagdiepte
4. Netsnoer
5. Beschermkap
6. Inbusbout
7. Zool
8. Borgring
9. Zaagblad
10. Parallel zaaggeleider
11. Knop voor instellen van de parallel geleider
12. Knoppen voor instellen van de zaaghoek
13. Spindelblokkering
14. Instelling van de zaaghoek
15. Spindelblokkering
16. Veiligheidsschakelaar
17. Koolborstelschroef
18. Koolborstel

Inhoud van de verpakking

- 1 Zaagmachine
- 1 Zijgeleider
- 1 Inbusleutel

Controleer voor het gebruik of de inhoud van de verpakking niet beschadigd is door transport en of alle onderdelen aanwezig zijn.

2. VEILIGHEIDSVOORSCHRIFTEN

Uitleg van de gebruikte symbolen



Gevaar voor lichamelijk letsel of materiele schade wanneer de instructies in deze handleiding niet worden opgevolgd



Gevaar voor elektrische schok



Houd omstanders op afstand



Draag oog- en gehoorbescherming



Draag bij gebruik van deze machine een stofmasker. Bij het verzagen van hout, metaal en andere materialen kunnen stoffen vrijkomen die schadelijk zijn voor de gezondheid. Denk eraan dat asbesthoudend materiaal niet gezaagd mag worden!

Gevaar

- Houd de handen uit de buurt van het zaaggebied en het blad. Houd uw tweede hand op de extra handgreep of de motorbehuizing. Als u de zaag met beide handen vasthoudt kunnen zij niet door het blad worden geraakt.
- Grijp niet onder het werkstuk. De beschermkap kan u onder het werkstuk niet tegen het zaagblad beschermen.
- Stel de zaagdiepte in aan de hand van de dikte van het werkstuk. Er dient minder dan een volledige tand van het blad onder het werkstuk zichtbaar zijn.
- Houd het stuk dat gezaagd wordt nooit in uw handen of op uw been. Zet het werkstuk stevig vast op een stabiele ondergrond. Het is van belang om het werkstuk goed te ondersteunen om het lichaam zoveel mogelijk te bedekken, te voorkomen dat het blad vast slaat en verlies van controle te vermijden.

- Houd elektrisch gereedschap bij de geïsoleerde handgrepen vast bij werkzaamheden waarbij het zaagblad in contact kan komen met verborgen bedrading of de eigen kabel. Contact met een draad waar stroom op staat, zal ook blootliggende metalen delen van het gereedschap onder stroom zetten en de gebruiker een schok geven.
- Gebruik bij het zagen altijd een parallelle of een rechte geleider. Dit verbetert de nauwkeurigheid en verkleint de kans dat het zaagblad vast komt te zitten.
- Gebruik altijd bladen met de juiste maat en vorm van het asgat (diamant of rond). Bladen die niet passen bij de montering van de zaag zullen excentrisch draaien waardoor u de controle kunt verliezen.
- Gebruik nooit beschadigde of onjuiste borgringen of bouten. De borgringen en de inbusbout zijn speciaal voor uw zaag ontworpen voor optimale prestaties en veilig gebruik.

Oorzaken en voorkomen van terugslag

- Terugslag is een plotselinge reactie op een vast geslagen of foutief uitgelijnd zaagblad die de zaag ongecontroleerd vanuit het werkstuk naar de gebruiker omhoog doet slaan;
- Indien het blad strak vast komt te zitten in een sluitende snede, zal het blad stoppen en de reactie van de motor zal het gereedschap snel in de richting van de gebruiker sturen;
- Indien het blad in de snede verdraait of uit de lijn loopt, kan de tand aan de achterzijde van het blad in de bovenzijde van het hout slaan waardoor het blad uit de snede "klimt" en in de richting van de gebruiker springt.

Terugslag is een gevolg van misbruik en/of onjuiste procedures of omstandigheden en kan worden voorkomen door de juiste voorzorgsmaatregelen te nemen zoals hieronder aangegeven.

- Houdt de zaag met beide handen stevig vast en houdt uw armen in een positie om de terugslag te weerstaan. Plaats uw lichaam aan één van de zijden van het blad, niet in één lijn met het blad. Terugslag kan de zaag achteruit doen springen maar de krachten van de terugslag kunnen door de gebruiker worden gecontroleerd als de juiste maatregelen worden genomen.
- Als het blad vast komt te zitten, of als het zagen

- om enige reden moet worden onderbroken, laat u de schakelaar los en houdt u de zaag in het materiaal stil tot het blad volledig tot stilstand is gekomen. Probeer nooit om de zaag uit het werkstuk te trekken of de zaag terug te trekken terwijl het blad in beweging is, anders riskeert u een terugslag. Bekijk de situatie en neem corrigerende maatregelen om de oorzaak van het vast slaan te elimineren.
- c) Als u de zaag in de snede in het werkstuk opnieuw start, houdt het zaagblad dan gecentreerd in de snede en controleer dat de tanden niet in het materiaal vastzitten. Als het zaagblad vastzit, kan het “omhoogkruipen” of uit het werkstuk terugslaan als de zaag opnieuw wordt gestart.
- d) Ondersteun grote panelen om de kans op vastslaan en terugslag te verkleinen. Grote panelen hebben de neiging om onder hun eigen gewicht door te buigen. De ondersteuning moet aan beide zijden onder het paneel worden geplaatst, dicht bij de zaaglijn en de rand van het paneel.
- e) Gebruik geen botte of beschadigde bladen. Onscherpe of onjuist gezette bladen geven een nauwe snede waardoor de wrijving toeneemt en de kans op vastslaan en terugslag wordt vergroot.
- f) De knoppen voor bladdiepte en –hoek moeten vóór het zagen goed worden vastgezet. Het verlopen van de instellingen van het blad tijdens het zagen, kan het blad doen vastslaan en terugslag veroorzaken.
- g) Wees extra voorzichtig bij het maken van een vrije zaagsnede in bestaande muren of andere blinde gebieden. Het doorstekende blad kan objecten raken die een terugslag kunnen veroorzaken.
- b) Controleer de werking van de veer in de beschermkap. Als de kap en de veer niet correct functioneren, moeten zij vóór gebruik worden onderhouden.
- De beschermkap kan traag werken als gevolg van beschadigde delen, rubber afzettingen of een opeenhoping van vuil.
- c) De beschermkap mag alleen voor speciale doeleinden met de hand worden teruggetrokken zoals vrije zaagsneden en verstekzagen. Til de kap op aan de knop en zo gauw het blad het materiaal raakt moet de beschermkap worden losgelaten. Voor alle andere doeleinden moet de kap automatisch werken.
- d) Zorg ervoor dat de beschermkap het blad bedekt voordat de zaag op de vloer of de werkbank wordt neergelegd. Een onbeschermd draaiend blad zal de zaag achteruit doen “lopen” en alles in het pad zagen. Denk eraan dat het stopen van het blad enige tijd duurt nadat de schakelaar is losgelaten.

Voor het ingebruiknemen van de cirkelzaag

Controleer het volgende:

- *Komt de aansluitspanning van de motor met de netspanning overeen;*
- *Zijn het netsnoer en de netstekker in goede staat.*
- *Kijk of het zaagblad geen tanden mist en scheuren of spleten vertoont. Dit zaagblad dient onmiddellijk te worden vervangen;*
- *Kijk of het zaagblad goed vast zit.*
- *Gebruik geen zaagbladen welke vervormd of beschadigd zijn;*
- Gebruik geen HSS bladen.
- Gebruik uitsluitend zaagbladen die voldoen aan de opgegeven afmetingen en omschrijving;
- Gebruik geen zaagbladen waarvan de romp breder of de vertanding smaller is dan het spouwmes.
- Stop het zaagblad nooit door uitoefening van een zijwaartse kracht op dit zaagblad.
- Overtuig u zelf ervan dat de beweegbare beschermkap vrij kan bewegen.
- Overtuig u zelf ervan of het mechanisme voor het terugdrukken van de beschermkap naar de gesloten positie goed werkt.
- Blokkeer de beweegbare beschermkap niet in de open positie.
- Let bij het zagen van hout op noesten, spijkers, scheuren en/of vuilaanslag. Het zagen van dit

Veiligheidsinstructies voor de onderste beschermkap

- a) Controleer voor gebruik of de onderste beschermkap correct sluit. Gebruik de zaag niet als de beschermkap niet vrij beweegt en onmiddellijk sluit. Klem of bind de beschermkap nooit in open positie vast. Als de zaag per ongeluk valt, kan de beschermkap verbuigen. Trek de beschermkap aan de knop omhoog en controleer of de kap vrij beweegt en het zaagblad of enig ander onderdeel niet raakt, in alle hoeken en zaagdiepten.

hout kan tot een gevaarlijk vastlopen leiden.

- Laat de cirkelzaag nooit onbewaakt achter.
- Gebruik de machine alleen voor het zagen van hout.

Tijdens het gebruik van de machine

- Het werkstuk moet stevig vastgeklemd worden.
- Houtresten en dergelijke, die zich in de onmiddellijke omgeving van de zaag bevinden, mogen niet met de hand worden verwijderd. Wanneer houtresten beklemd zitten tussen vaste en/of bewegende delen, moet de machine worden gestopt en de stekker uit het stopcontact worden getrokken alvorens de houtresten te verwijderen.
- Zorg ervoor dat de cirkelzaag onbelast wordt ingeschakeld (laat de cirkelzaag dus niet in aanraking komen met het werkstuk wanneer deze wordt ingeschakeld). De cirkelzaag moet eerst zijn maximale toerental hebben bereikt.
- Zaag geen werkstukken die dikker zijn dan de diepte van de zaag.
- Overtuig u zelf ervan dat wanneer u in houten wanden of vloeren zaagt zich daarin geen elektriciteitskabels of buizen voor gas en water bevinden.
- Schakel de cirkelzaag eerst uit en wacht totdat de cirkelzaag stil staat voordat u de cirkelzaag van het werkstuk af beweegt en de machine neerlegt.

De machine onmiddellijk uitzetten bij:

- Defecte netstekker, netsnoer of snoerbeschadiging.
- Defecte schakelaar.
- Oververhitting van de machine
- Rook of stank van verschroeide isolatie.

Elektrische veiligheid

Neem bij het gebruik van elektrische machines altijd de plaatselijk geldende veiligheidsvoorschriften in acht in verband met brandgevaar, gevaar voor elektrische schokken en lichamelijk letsel. Lees behalve onderstaande instructies ook de veiligheidsvoorschriften in het apart bijgevoegde veiligheidskatern door. Bewaar de instructies zorgvuldig!



Controleer altijd of uw netspanning overeenkomt met de waarde op het typeplaatje.



Klasse II apparaat - Dubbel geïsoleerd - een gearde stekker is niet noodzakelijk.

Bij vervanging van snoeren of stekkers

Wanneer het netsnoer beschadigd raakt, dan dient het vervangen te worden door een speciaal netsnoer dat verkrijgbaar is bij de fabrikant of de customer service van de fabrikant. Gooi oude snoeren of stekkers direct weg zodra ze door nieuwe exemplaren zijn vervangen. Het is gevaarlijk om de stekker van een los snoer in een stopcontact te steken.

Bij gebruik van verlengsnoeren

Gebruik uitsluitend een goedgekeurd verlengsnoer, dat geschikt is voor het vermogen van de machine. De aders moeten een doorsnede hebben van minimaal 1,5 mm². Wanneer het verlengsnoer op een haspel zit, rol het snoer dan helemaal af.

3. MONTAGE EN AFSTELLING



Alvorens u de zaag gaat instellen, dient u eerst te controleren, of de netstekker uit het stopcontact is verwijderd.

Instellen van de zaaghoek

- Draai de beide knoppen (12) los.
- Verdraai de zool in de juiste positie (0° - 45°). De zaaghoek kunt u aflezen op de gradenindicator (14).

Monteren van de parallelzaaggeleider

- Draai knop (11) los.
- Plaats de parallel zaaggeleider in de daarvoor bestemde uitsparingen.
- Stel de juiste breedte in en draai knop (11) weer vast.

Instellen van de zaagdiepte

- Draai knop (3) los.
- Beweeg de zool (7) naar beneden.
- Draai knop (3) weer vast als de juiste diepte is ingesteld.

Verwisselen of schoonmaken van het zaagblad



Gebruik uitsluitend zaagbladen die door de fabrikant worden aanbevolen en die voldoen aan EN 847-1.

- Gebruik de spindelblokkeerknop (13) om de as vast te zetten.
- Draai vervolgens de inbusbout (6) in het midden van het zaagblad los m.b.v. de inbussleutel.
- Zet de beschermkap naar achteren en houd deze vast met behulp van knop (15).
- Verwijder de borgring en het zaagblad, maak het zaagblad schoon of vervang het door een nieuw zaagblad.
- Plaats het zaagblad weer op de juiste plaats.
- Laat de beschermkap weer voor het zaagblad komen door knop (15) los te laten.
- Druk de spindelblokkeerknop (13) in, plaats de borgring (8) en draai de inbusbout (6) vast.

4. BEDIENING



Bij gebruik van de cirkelzaag wordt het dragen van oog- en gehoorbescherming aangeraden.

Aan/Uitschakelen

- Druk knop (16) in met de duim van uw rechterhand en houd deze ingedrukt.
- Druk vervolgens knop (2) in. De cirkelzaag zal nu gaan draaien.
- Door knop (2) los te laten stop de cirkelzaag.

Ingebruikname

- Klem het werkstuk vast zodat u beide handen vrij hebt om de cirkelzaag vast te houden en te bedienen.
- Schakel de cirkelzaag in en plaats de zaagbodem op het werkstuk.
- Beweeg langzaam naar de vooraf afgetekende zaaglijn en druk de cirkelzaag langzaam vooruit.
- Druk de zaagbodem stevig tegen het werkstuk.



Laat de cirkelzaag het werk doen! Druk daarom niet te hard tegen de cirkelzaagmachine.

5. ONDERHOUD



Zorg dat de machine niet onder spanning staat wanneer onderhoudswerkzaamheden aan het mechaniek worden uitgevoerd.

De machines zijn ontworpen om gedurende lange tijd probleemloos te functioneren met een minimum aan onderhoud. Door de machine regelmatig te reinigen en op de juiste wijze te behandelen, draagt u bij aan een hoge levensduur van uw machine.

Storingen

In het geval de cirkelzaag niet naar behoren functioneert, geven wij onderstaand een aantal mogelijke oorzaken en de bijbehorende oplossingen:

1. De elektromotor raakt oververhit

- De motor wordt overbelast door te grote werkstukken.
 - *Zaag in een lager tempo en geef de motor de kans om af te koelen.*

2. Ingeschakelde machine werkt niet.

- De motor is defect.
 - *Neem contact op met het onderhoudsadres op de garantiekaart.*

3. Het werkstuk laat zich heel moeilijk in een rechte lijn langs het zaagblad bewegen en de zaagsnede is onregelmatig.

- Onderbreking in de netaansluiting.
 - *Netaansluiting controleren op breuk.*
- Beschadiging van de schakelaar.
 - *Neem contact op met het onderhoudsadres op de garantiekaart.*

4. De cirkelzaag maakt lawaai en/of loopt heel onregelmatig.

- Het zaagblad is krom of stomp.
 - *Vervang het zaagblad.*
- De koolborstels zijn versleten.
 - *Neem contact op met het onderhoudsadres op de garantiekaart.*

Reinigen

Reinig de machine-behuizing regelmatig met een zachte doek, bij voorkeur iedere keer na gebruik. Zorg dat de ventilatiesleuven vrij van stof en vuil zijn. Gebruik bij hardnekkig vuil een zachte doek bevochtigd met zeepwater. Gebruik geen oplosmiddelen als benzine, alcohol, ammonia, etc. Dergelijke stoffen beschadigen de kunststof onderdelen.

Vernieuwen van de koolborstels

- Verwijder de schroeven (17).
- Haal de koolborstels (18) uit de cirkelzaag en controleer deze.
- Plaats de koolborstels weer terug in de daarvoor bestemde openingen.
- Controleer of het koperen deel van de koolborstels goed contact maak met het koperen deel in de opening.
- Plaats dan de schroeven (17) weer terug en draai deze vast.



Zijn de koolborstels korter dan 4 mm dan dienen ze vervangen te worden door nieuwe.

Smeren

De machine heeft geen extra smering nodig.

Storingen

Wanneer er zich een storing voordoet, bijvoorbeeld bij slijtage van een onderdeel, neem dan contact op met het onderhoudsadres op de garantiekaart. Achter in deze handleiding ziet u een opengewerkte afbeelding van de onderdelen die besteld kunnen worden.

MILIEU

Om transportbeschadiging te voorkomen, wordt de machine in een stevige verpakking geleverd. De verpakking is zo veel mogelijk gemaakt van recyclebaar materiaal. Maak daarom gebruik van de mogelijkheid om de verpakking te recyclen.



Defecte en/of afgedankte elektrische of elektronische gereedschappen dienen ter verwerking te worden aangeboden aan een daarvoor verantwoordelijke instantie.

GARANTIE

Lees voor de garantievoorzwaarden de apart bijgevoegde garantiekaart.

SCIE CIRCULAIRE

Merci pour avoir acheté ce produit Ferm.

Vous disposez désormais d'un excellent produit, fourni par un des premiers distributeurs d'Europe. Tous les produits qui vous sont livrés par Ferm sont fabriqués selon les standards les plus élevés en ce qui concerne performances et sécurité et sont étayés par une garantie totale et un excellent service après vente.

Nous espérons que vous profiterez pendant de nombreuses années de ce produit.

Les chiffres du texte suivant correspondent aux illustrations page 2



Pour votre sécurité et celle des autres, veuillez lire attentivement ces instructions avant d'utiliser cet appareil. Cela vous permettra de mieux comprendre votre produit et d'éviter tout risque inutile. Gardez toujours ce manuel en lieu sûr, pour une future utilisation.

Table des matières

1. Spécifications techniques
2. Consignes de sécurité
3. Montage et réglage
4. Utilisation
5. Entretien

1. SPECIFICATIONS TECHNIQUES

Caracteristiques techniques

Tension	220-240 V
Fréquence	50 Hz
Puissance consommée	1050 W
Vitesse à vide	4900/min
Dimension du scie	Ø185*20*2.4mm Ø190*30*2.4mm
Profondeur de sciage max. 90°	68 mm
Profondeur de sciage max. 45°	46 mm
Classe IP	IP 20
Poids	4.19 kg
Lpa (niv. de pression acoustique)	88+3 dB(A)
Lwa (niv. puissance acoustique)	99+3 dB(A)
Valeur vibratoire	2+1,5 m/s ²

Niveau de vibrations

Le niveau de vibrations émises indiqué en ce manuel d'instruction a été mesuré conformément à l'essai normalisé de la norme EN 62841; il peut être utilisé pour comparer plusieurs outils et pour réaliser une évaluation préliminaire de l'exposition aux vibrations lors de l'utilisation de l'outil pour les applications mentionnées

- l'utilisation de l'outil dans d'autres applications, ou avec des accessoires différents ou mal entretenus, peut considérablement augmenter le niveau d'exposition
- la mise hors tension de l'outil et sa non-utilisation pendant qu'il est allumé peuvent considérablement réduire le niveau d'exposition

Protégez-vous contre les effets des vibrations par un entretien correct de l'outil et de ses accessoires, en gardant vos mains chaudes et en structurant vos schémas de travail

Informations sur le produit

Fig. A

1. Poignée
2. Interrupteur marche/arrêt
3. Bouton de serrage de la profondeur de coupe
4. Cordon d'alimentation
5. Plaque de protection de la lame de la scie
6. Vis à tête hexagonale
7. Semelle
8. Bague de retenue
9. Lame de la scie
10. Guide de coupe
11. Bouton de serrage du guide de coupe
12. Bouton de serrage de l'angle de coupe
13. Bouton de blocage de l'arbre
14. Clé de serrage angulaire
15. Bouton
16. Commutateur de sécurité
17. Vis des balais de charbon
18. Balais de charbon

Contenu de l'emballage

- 1 Scie à main circulaire
- 1 Guide de coupe
- 1 Clé Allen

Vérifiez que l'appareil et les accessoires n'ont pas été endommagés pendant leur transport.

2. CONSIGNES DE SÉCURITÉ

Signification des symboles



Indique un risque de blessures, un danger mortel ou un risque d'endommagement de l'outil en cas du non-respect des consignes de ce mode d'emploi.



Indique un risque de décharges électriques



Ne laissez aucune personne s'approcher de la zone de travail



Protégez-vous les yeux et les oreilles



Portez un masque anti-poussière. Le travail du bois, des métaux et d'autres matériaux peut produire de la poussière qui peut s'avérer dangereuse pour la santé. Ne travaillez pas avec du matériel contenant de l'amiante!

Danger!

- Maintenez à l'écart vos mains de la zone de coupe et de la lame. Maintenez votre seconde main sur la poignée auxiliaire ou sur le corps du moteur. Si vous tenez la machine avec les deux mains, vous ne pourrez les couper avec la lame.
- Ne mettez pas les mains sous la pièce de travail. L'écran protecteur ne pourra vous protéger en dessous de la pièce de travail.
- Réglez la profondeur de coupe selon l'épaisseur de la pièce de travail. Moins d'une dent complète de la lame ne pourrait être visible sous la pièce de travail.
- Ne tenez jamais la pièce à couper dans vos mains ou sur vos jambes. Attachez la pièce de travail sur une plate-forme stable. Il est important de supporter correctement le travail pour éviter d'exposer votre corps, de bloquer la lame ou de perdre le contrôle.
- Tenez l'outil par ses poignées isolées lorsque vous effectuez des opérations lors desquelles il pourrait couper des fils électriques cachés ou son propre cordon d'alimentation. Tout

contact avec un fil électrique sous tension mettra toutes les parties métalliques de l'outil sous tension et pourrait entraîner des décharges électriques.

- Pour faire des saignées, utilisez toujours un guide de saignée ou un guide droit. Ceci améliore la précision de la coupe et réduit les risques de blocages de la lame.
- Utilisez toujours des lames de la taille et forme corrects (diamant ou rond) ou avec des trous de guidage. Des lames qui ne conviennent pas aux dispositifs de fixation de la machine tourneront excentriquement, provoquant la perte de contrôle.
- N'utilisez jamais des boulons ou des rondelles incorrects. Le boulon et les rondelles ont été conçus spécialement pour cette machine, pour assurer les meilleures performances et une utilisation en toute sécurité.

Causes et prévention du phénomène de recul

- Le phénomène de recul survient en réaction à un blocage, coincement ou désalignement de la lame ; la lame se désengagera de la pièce de travail et sautera vers l'utilisateur ;
- Lorsque la lame est coincée ou bloquée à cause du rétrécissement de la rainure, la lame s'arrête et la réaction du moteur poussera l'unité rapidement vers l'utilisateur ;
- Si la lame est courbée ou désalignée dans la rainure de coupe, les dents sur le bord arrière de la lame se plongeront dans la surface du bois, la lame « grimpera » hors de la rainure et sautera vers l'utilisateur.

Le phénomène de recul est le résultat d'une mauvaise utilisation et/ou de procédures ou conditions d'utilisation erronées, qui peut être évité en prenant les précautions indiquées ci-dessous.

- Tenez fermement l'outil avec les deux mains et positionnez-vous de façon que vos bras puissent résister aux forces de recul. Placez votre corps d'un côté ou de l'autre de la lame, jamais en ligne avec la lame. Le phénomène de recul peut faire sauter la machine en arrière, mais l'utilisateur peut contrôler ces forces s'il prend les précautions adéquates.
- Lorsque la lame a tendance à se bloquer ou si vous devez interrompre la coupe pour une raison ou une autre, relâchez le commutateur

et maintenez la lame dans la matière sans la déplacer et jusqu'à ce qu'elle s'arrête complètement.

N'essayez jamais de retirer la lame de la pièce de travail ou de la reculer pendant que la lame tourne; vous risqueriez un coup de recul. Vérifiez et effectuez les actions correctives appropriées pour éliminer la cause des blocages de la lame.

- c) Lorsque vous redémarrez la lame dans la pièce de travail, centrez la lame dans la rainure et vérifiez que les dents ne s'engagent pas dans la matière. Si la lame se bloque, elle pourrait sauter hors de la rainure au moment du redémarrage.
- d) Si vous coupez de longues planches, placez des supports pour minimiser les risques de coincement et de reculs. Les longues planches ont tendance à se plier sous l'effet de leur propre poids. Placez les supports sous la planche, des deux côtés et à proximité de la ligne de coupe et près des bords de la planche.
- e) N'utilisez jamais des lames endommagées ou non aiguisées. Des lames non aiguisées ou mal positionnées produisent une rainure étroite, ce qui provoque un excès de friction, des blocages de lame et des coups de recul.
- f) Les leviers de verrouillage des réglages de profondeur et de l'angle de coupe doivent être serrés avant de procéder à la coupe. Si ces réglages changent lors de la coupe, la lame pourrait bloquer et des coups de recul pourraient s'en suivre.
- g) Soyez particulièrement prudent lorsque vous faites une coupe « plongeante » dans des parois existantes ou autres zones dont vous ne connaissez pas ce qu'elles contiennent. La lame pourrait toucher des obstacles pouvant provoquer des coups de recul.

Instructions de sécurité de l'écran inférieur

- a) Vérifiez le bon fonctionnement de l'écran inférieur avant toute utilisation. N'utilisez pas la machine si l'écran inférieur ne bouge pas librement ou ne se ferme pas instantanément. Ne bloquez jamais l'écran inférieur en position ouverte. Si la machine viendrait à tomber accidentellement, l'écran inférieur pourrait être tordu. Levez l'écran inférieur avec la poignée de traction et assurez-vous qu'il bouge librement et qu'il ne touche pas la lame ou tout autre composant, par tous les angles et toutes les

profondeurs de coupe.

- b) Vérifiez le fonctionnement du ressort de l'écran inférieur. Si le ressort et/ou l'écran ne fonctionnent pas correctement, ils doivent être réparés avant utilisation. L'écran inférieur pourrait fonctionner de manière assez erratique à cause de composants endommagés, des dépôts gommeux ou des accumulations de débris.
- c) L'écran inférieur ne devrait être relevé manuellement que pour des coupes spéciales, telles que des « Coupes plongeantes » ou des « Coupes combinées ». Relevez l'écran inférieur avec la poignée et relâchez-le dès que la lame pénètre dans la matière. Pour tout autre type de coupe, l'écran inférieur devrait fonctionner automatiquement.
- d) Vérifiez toujours que l'écran inférieur couvre complètement la lame avant de poser la machine sur un banc de travail ou sur le sol. La lame en rotation sans protection propulsera la machine en arrière, tout en coupant tout ce qui se trouve dans son chemin. Prenez conscience du temps qu'il faut à la lame pour s'arrêter lorsque vous relâchez le commutateur.

Avant la mise en fonction de la machine

Contrôlez les points suivants:

- *Est-ce que la tension de raccordement du moteur correspond à la tension du réseau?*
- *Est-ce que le fil et la fiche-secteur sont en bon état, solides, intacts et sans effilures ?*
- *Voyez si la lame de scie ne manque pas des dents ou montre des crevasses. Cette scie doit être remplacée immédiatement;*
- *Contrôler que la lame de scie soit bien serrée.*
- *Faire emploi de la lame de la scie déformée ou endommagée;*
- Ne pas utiliser des lames de la scie HSS.
- N'employer que des lames de la scie satisfaisant toujours aux dimensions et la description données; Ne pas utiliser des lames de la scie dont le fuselage est plus large que le couteau de coquille ou dont la denture est plus mince que le couteau de coquille.
- Ne jamais arrêter la lame de la scie, par exécuter sur elle de la force de biais.
- Vous convaincre vous-même du fait que le couvercle de protection mobile, vraiment est à même de bouger librement. Vérifier

vous-même si le mécanisme de remettre à la position le couvercle de protection.

- Ne pas bloquer le couvercle de protection mobile, au moment où il se trouvera dans sa position ouverte.
- Faire attention aux noeuds, clous et fentes dans le bois et/ou à un encrassement. Le sciage de ce bois peut provoquer un coincement dangereux.
- Ne jamais laisser la scie sans surveillance derrière soi.
- Utilisez cette scie à circulaire seulement pour le scier de bois ou produits de bois.

Pendant l'utilisation de la machine

- L'objet à scier doit être solidement bloqué.
- Des restes de bois ou autres choses qui se trouvent à portée immédiate de la scie, ne doivent pas être éloignés à la main. Quand des petits morceaux de bois se trouvent coincés entre les parties fixes et/ou mobiles, il faudra arrêter la machine et enlever le contact à fiches de la boîte à fiche, avant de pouvoir quitter les petits morceaux de bois.
- Prendre soin que la scie à circulaire soit libre de toute charge (donc, qu'elle ne soit pas en contact avec l'objet à travailler) lorsque la scie à circulaire est mise en marche. La scie circulaire doit d'abord avoir atteint son nombre de tours maximum.
- Ne pas scier de pièces plus épaisses que la longueur de la lame de la scie.
- Ne pas toucher de pièces en métal de la scie à circulaire lorsque vous sciez dans des murs ou sols dans lesquels peuvent se trouver des câbles électriques. Tenir la scie à circulaire avec les deux mains sur la poignée en matière synthétique de sorte que vous ne toucherez pas de parties pouvant se trouver sous courant électrique dans le cas où vous scieriez sans le savoir un câble électrique.
- Mettre la machine d'abord à l'arrêt et attendre ensuite l'arrêt total de la scie à circulaire avant de bouger la machine sur la pièce à travailler et de la poser.

Arrêtez immédiatement l'appareil en cas:

- Défectuosité de la fiche, du fil d'alimentation ou si le fil a été endommagé.
- Commutateur défectueux.
- Surchauffage de la scie à circulaire.

- Fumée ou mauvaise odeur causée par des matériaux isolants brûlés.

Sécurité électrique

Lors d'utilisation de machines électriques, observez les consignes de sécurité locales en vigueur en matière de risque d'incendie, de chocs électriques et de lésion corporelle. En plus des instructions ci-dessous, lisez entièrement les consignes de sécurité contenues dans le cahier de sécurité fourni à part. Conservez soigneusement ces instructions!



Vérifiez toujours si la tension de votre réseau correspond à la valeur mentionnée sur la plaque signalétique.



Machine de la classe II - Double isolation - vous n'avez pas besoin d'une prise avec mise à terre.

En cas de changement de câbles ou de fiches
Si le câble d'alimentation électrique est endommagé, il doit être remplacé par un câble d'alimentation électrique spécial disponible auprès du fabricant ou de son service clientèle. Jetez les vieux câbles ou prises immédiatement après les avoir remplacés par de nouveaux. Il est dangereux de brancher un câble lâche.

En cas d'emploi de câbles prolongateurs

Employez exclusivement un câble pro longateur homologué, dont l'usage est approprié pour la puissance de la machine. Les fils conducteurs doivent avoir une section minimale de 1,5 mm². Si le câble prolongateur se trouve dans un dévidoir, déroulez entièrement le câble.

3. MONTAGE ET REGLAGE



Avant de régler la scie, contrôler d'abord si la fiche est bien retirée de la prise de contact.

Regler l'angle de coupe (chanfrein)

Desserrer les deux boutons (12).

- Faire pivoter la semelle jusqu'à la position correcte (0° - 45°), et resserrer les boutons. L'angle de coupe (chanfrein) est indiqué sur la clé de serrage angulaire (14).

Installer le guide de coupe

- Desserrer le bouton (11).
- Insérer le guide de coupe dans les fentes prévues à cet effet.
- Régler la bonne largeur de coupe et resserrer le bouton (11).

Régler la profondeur de coupe

- Desserrer le bouton (3).
- Déplacer le semelle vers le bas (7).
- Resserrer le bouton de serrage (3) une fois que la pro-fondeur correcte est réglée.

Remplacer ou nettoyer la lame de la scie



Utiliser exclusivement des lames de scie recommandées par le fabricant et conformes à la norme EN 847-1.

- Utiliser le bouton de blocage de l'arbre (13) pour empêcher tout mouvement de rotation de l'arbre.
- Desserrer ensuite la vis à tête hexagonale (6) au centre de la lame de la scie, en utilisant la clé Allen fournie.
- Faire glisser la plaque de protection vers l'arrière et la maintenir dans cette position à l'aide du bouton (15).
- Retirer la bague de retenue et la lame de la scie, et nettoyer la lame de la scie, ou la remplacer par une neuve.
- Remettre la lame de la scie sur l'arbre.
- Remettre la plaque de protection devant la lame de la scie en relâchant le bouton (15).
- Appuyer sur le bouton de blocage de l'arbre (13) pour le remettre en place, réajuster la bague de retenue (8) et resserrer fermement la vis à tête hexagonale (6).

4. UTILISATION



L'utilisation de protections auditives est recommandée lors du maniement de la scie circulaire.

Mise en Marche/Arrêt

- Appuyer sur le bouton (16) avec le pouce de la main droite et le tenir appuyé.
- Ensuite, appuyer sur le bouton (2). La scie circulaire va tourner maintenant.
- En relâchant le bouton (2), la scie sera mise en arrêt.

La mise en marche

- Bloquer la pièce à travailler de sorte que les deux mains soient libres pour tenir et manier la scie circulaire.
- Mettre la scie à circulaire en marche et placer la plaque de fond sur la pièce à travailler.
- Avancer lentement sur la ligne de sciage dessinée auparavant en appuyant doucement sur la scie à circulaire.
- Pousser solidement la plaque de fond contre la pièce à travailler. Si cela n'est pas fait, on risque fort de faire vibrer la scie à circulaire et de faire se casser rapidement la lame à scie.



Laisser faire le travail à la scie. Ne pas pousser trop fort contre la scie à découper.

5. ENTRETIEN



Assurez-vous que la machine n'est pas sous tension si vous allez procéder à des travaux d'entretien dans son système mécanique.

Les machines ont été conçues pour fonctionner longtemps sans problème avec un minimum d'entretien. En nettoyant régulièrement et correctement la machine, vous contribuerez à une longue durée de vie de votre machine.

Pannes

Dans le cas où la machine à scier ne fonctionne pas convenablement, nous indiquons un nombre de raisons et les solutions s'y reportant.

1. Le moteur électrique chauffe au-dessus de 70° Celsius.

- Le moteur est surchargé par des pièces trop grandes.
 - Scier plus lentement et donner au moteur l'occasion de refroidir.
- Le moteur est en panne.
 - Veuillez vous adresser au centre de service indiqué sur la carte de garantie.

2. La machine mise en marche ne fonctionne pas.

- Interruption dans le circuit électrique.
 - Contrôler le circuit électrique.

- Détérioration de l'interrupteur.
 - *Veillez vous adresser au centre de service indiqué sur la carte de garantie.*
- 3. La pièce à travailler est très difficile à mouvoir en ligne droite le long de la lame à scier et la ligne de sciure est irrégulière.**
 - La lame à scier est courbe ou mal aiguisée.
 - *Remplacer la lame à scier.*
- 4. La scie à circulaire fait beaucoup de bruit et/ou marche irrégulièrement.**
 - Les balais à charbon sont usés.
 - *Veillez vous adresser au centre de service indiqué sur la carte de garantie.*

Nettoyage

Nettoyez régulièrement le carter au moyen d'un chiffon doux, de préférence à l'issue de chaque utilisation. Veillez à ce que les fentes d'aération soient indemnes de poussière et de saletés. En présence de saleté tenace, employez un chiffon doux humecté d'eau savonneuse. Proscrivez l'emploi de solvants comme l'essence, l'alcool, l'ammoniaque etc. car ces substances attaquent les pièces en plastique.

Remplacer les brosses a décalaminer

- Retirer les vis (17).
- Retirer les brosses à décalaminer (18) de la scie à main circulaire et vérifier leur état d'usure.
- Replacer les brosses à décalaminer dans les porte-brosses fournis à cet effet.
- Vérifier que le contact en cuivre sur les brosses à décalaminer est bien en contact avec la partie en cuivre sur le porte-brosse.
- Replacer les vis (17) et les serrer fermement.



Si les balais à blocs de charbon sont plus courts que 4 mm, ils devront être remplacés par des balais neufs.

Graissage

Cette machine ne nécessite pas de graissage supplémentaire.

Dysfonctionnements

Veillez vous adresser au centre de service indiqué sur la carte de garantie en cas d'un dysfonctionnement, par exemple après l'usure d'une pièce. Vous trouverez, à la fin de ce manuel, un schéma avec toutes les pièces que vous pouvez commander.

ENVIRONNEMENT

Pour éviter les dommages liés au transport, la machine est livré dans un emballage robuste. L'emballage est autant que possible constitué de matériau recyclable. Veuillez par conséquent destiner cet emballage au recyclage.



Tout équipement électronique ou électrique défectueux dont vous seriez débarrassé doit être déposé aux points de recyclage appropriés.

GARANTIE

Pour les conditions de garantie, lisez le certificat de garantie joint à part.

SIERRA CIRCULAR

Gracias por adquirir este producto Ferm.

Ahora dispone de un producto excelente, proporcionado por uno de los principales distribuidores de Europa. Todos los productos Ferm ofrecen los niveles más altos de calidad en cuanto a funcionamiento y seguridad y, como parte de nuestra filosofía, prestamos un servicio superior de atención al cliente avalado por nuestro sello de garantía total. Esperamos que disfrute utilizando este producto durante muchos años.

Los números indicados en el texto siguiente corresponden a las ilustraciones de la página 2.



Por su propia seguridad y por la de los demás, le rogamos que lea detenidamente estas instrucciones antes de utilizar el equipo. Le ayudará a comprender mejor su producto y a evitar riesgos innecesarios. Guarde estas instrucciones en un lugar seguro por si necesita usarlas más adelante.

Contenidos

1. Características técnicas
2. Normas de seguridad
3. Instrucciones de montaje
4. Manejo
5. Mantenimiento

1. CARACTERÍSTICAS TÉCNICAS

Especificaciones técnicas

Tensión	220-240 V
Frecuencia	50 Hz
Potencia nominal	1050 W
No. revoluciones sin carga	4900/min.
Dimension du scie	Ø185*20*2.4mm
	Ø190*30*2.4mm
Profundidad máxima del serrado 90°	68 mm
Profundidad máxima del serrado 45°	46 mm
Clase IP	IP 20
Pesa	4.19 kg
Lpa (nivel de presión sonora)	88+3 dB(A)
Lwa (nivel de potencia acústica)	99+3 dB(A)
aw (valor de vibración)	2+1,5 m/s ²

Nivel de vibración

El nivel de emisión de vibraciones indicado en este manual de instrucciones ha sido medido

según una prueba estándar proporcionada en EN 62841; puede utilizarse para comparar una herramienta con otra y como valoración preliminar de la exposición a las vibraciones al utilizar la herramienta con las aplicaciones mencionadas

- al utilizarla para distintas aplicaciones o con accesorios diferentes o con un mantenimiento deficiente, podría aumentar de forma notable el nivel de exposición
- en las ocasiones en que se apaga la herramienta o cuando está funcionando pero no está realizando ningún trabajo, se podría reducir el nivel de exposición de forma importante

Protéjase contra los efectos de la vibración realizando el mantenimiento de la herramienta y sus accesorios, manteniendo sus manos calientes y organizando sus patrones de trabajo

Información sobre el producto

Fig. A

1. Mango
2. Interruptor de encendido
3. Botón de sujeción de la guía de profundidad de corte
4. Cable de alimentación
5. Protección de seguridad la hoja de sierra
6. Tornillo hexagonal
7. Plancha
8. Anillo de retención
9. Hoja de sierra
10. Protección contra cortes
11. Botón de sujeción de la protección contra cortes
12. Botón de sujeción del ángulo de serrado
13. Botón de fijación del eje
14. Transportador
15. Pomo
16. Seguro
17. Tornillo de la escobilla de carbón
18. Escobilla de carbón

Contenido del embalaje

- 1 Sierra circular
- 1 Protección contra cortes
- 1 Llave Allen

Asegúrese en primer lugar que la entrega no ha sufrido daños durante el transporte ni que falte ninguno pieza.

2. NORMAS DE SEGURIDAD

Explicación de los símbolos



Indica peligro de accidente, de muerte o riesgo de provocar averías en el aparato en caso de no seguir las instrucciones de este manual.



Indica el peligro de sufrir descargas eléctricas.



Mantenga a los presentes a una distancia prudential de la zona de trabajo



Lleve protectores para los ojos y los oídos



Utilice siempre una máscara cuando utilice la herramienta. Cuando sierra madera, metal y otros materiales, el polvo que se produce, es perjudicial para la salud. ¡Recuerde que nunca debe serrar asbesto o material que contenga asbesto!

Precaución

- Mantenga las manos alejadas del área de corte y del disco de sierra. Mantenga la otra mano en el mango auxiliar o sobre la carcasa. Si ambas manos sostienen la sierra no podrá cortarse con el disco.
- No meta los brazos por debajo de la pieza de trabajo. La cubierta no puede protegerle del disco de corte por debajo de la pieza trabajada.
- Ajuste la profundidad de corte al grosor de la pieza que se trabaja. Menos de un diente entero debe estar visible por debajo de la pieza a cortar.
- No sujete nunca la pieza a cortar con sus manos o sobre sus piernas. Asegúrela a una plataforma estable. Es extremadamente importante sujetar las piezas para minimizar la exposición del cuerpo, atasco de discos o pérdida de control de la sierra.
- Sujete la herramienta por las superficies aisladas de agarre cuando realice cortes en los que la sierra pueda entrar en contacto con cables ocultos o con su propio cable de alimentación. El contacto con un cable

con tensión puede hacer que las partes de metal expuestas de la herramienta transmitan la carga con el consiguiente riesgo de electrocución para el operario.

- Cuando haga cortes en la dirección de la veta, utilice una regla o guía de borde recto. Esta acción mejorará la precisión del corte y reducirá la probabilidad de atascos de la hoja.
- Utilice hojas de sierra del tamaño y forma de agujeros correctos (diamante en contraposición a redondo). Los discos de sierra que no coincidan con el eje de montaje de la sierra circular funcionarán de forma excéntrica, lo que originará una pérdida de control.
- No utilice nunca arandelas o tornillos dañados e incorrectos para el disco de sierra. Las arandelas y los tornillos de los discos se han diseñado especialmente para su sierra circular, ofreciendo un funcionamiento óptimo y una mayor seguridad en la operación.

Causas y prevención de retroceso

El retroceso es una reacción repentina a un disco atascado, pinchado o desalineado que causa que una sierra descontrolada se levante y se salga de la pieza y se dirija hacia el operador;

- Cuando la sierra está enganchada o muy apretada por el corte de cierre, el disco se cala y la reacción del motor hace que la unidad retroceda hacia el operario;
- Si el disco se atasca o pierde alineación durante el corte, los dientes de la parte posterior de la hoja pueden clavarse en la superficie superior de la madera haciendo que la hoja se salga del corte y salte hacia el operario.

El retroceso es el resultado de un uso incorrecto de la sierra, de procedimientos incorrectos o condiciones que pueden evitarse si se toman las precauciones descritas a continuación:

- Mantenga un agarre firme con ambas manos en la sierra y coloque sus brazos para resistir la fuerza del retroceso. Colóquese a un lado de la hoja, pero no en línea con ella.

El retroceso puede hacer que la sierra salte hacia atrás, pero la fuerza del mismo puede ser controlada por el operario si se toman las precauciones adecuadas.

- Cuando la hoja se está atascando o cuando se

interrumpe un corte por cualquier motivo, se debe soltar el gatillo y no mover la sierra hasta que el disco se haya detenido completamente. Nunca intente extraer la sierra del material o voltearla mientras la hoja está girando puesto que puede retroceder. Investigue y tome las acciones correctivas para eliminar la causa del atasco de la hoja.

- c) Cuando vaya a arrancar la sierra en el material centre la hoja en el corte y compruebe que los dientes de la sierra no están dentro del material a cortar. Si la sierra se atasca, puede saltar o retroceder cuando se vuelva a arrancar.
- d) Sujete los paneles grandes para minimizar el riesgo de atasco de hoja y de retroceso. Los paneles grandes tienden a combarse debido a su propio peso. Se deben colocar soportes bajo el panel a ambos lados, cerca de la línea de corte y en el borde del panel.
- e) No utilice hojas romas o dañadas. Los discos romos o colocados incorrectamente producen un corte delgado que causa una fricción excesiva, atascos de la hoja y retroceso.
- f) Los pomos de profundidad de la hoja y de ajuste de ángulo deben estar apretados y asegurados antes de realizar el corte. Si el ajuste de la hoja varía durante el corte, pueden originarse atascos y retrocesos.
- g) Tenga precaución extrema al realizar cortes de inmersión en paredes u otras áreas ocultas. La hoja protuberante puede cortar objetos duros que pueden causar retroceso.

Instrucciones de seguridad de la cubierta inferior

- a) Compruebe que la cubierta inferior está cerrada adecuadamente antes de cada utilización. No opere la sierra si la cubierta no se mueve libremente y se cierra inmediatamente. Nunca sujete o anude la cubierta en la posición abierta. Si la sierra se cae accidentalmente, la cubierta puede doblarse. Eleve la cubierta inferior con el mango y asegúrese de que se mueve libremente y que no toca la hoja o cualquier otra parte en cualquier ángulo y profundidad de corte.
- b) Compruebe el muelle de la cubierta inferior. Si la cubierta y el muelle no funcionan correctamente, deben arreglarse antes del uso. La cubierta puede funcionar lentamente debido a piezas dañadas, acumulación de

serrín o depósitos resinosos.

- c) La cubierta inferior debe retraerse manualmente sólo en los cortes especiales de "inmersión" o "compuestos". Suba la cubierta por el mango y tan pronto la hoja entre en el material suelte la cubierta. Para los otros tipos de corte, la cubierta inferior debe funcionar automáticamente.
- d) Observe siempre que la cubierta cubra la hoja antes de colocarla en el banco de trabajo o en el suelo. Una hoja sin protección con rotación inercial hará que la sierra retroceda cortando todo lo que se encuentra a su paso. Tenga en cuenta el tiempo que demora la hoja para detenerse después de haber soltado el gatillo.

Antes de utilizar la sierra circular

Controle los puntos siguientes:

- *La tensión de conexión del motor corresponde a la tensión de la red el cable y el enchufe están en buen estado: firmes, sin hilachas o daños;*
- *Asegúrese de que no falta un diente a la hoja de sierra y que ésta no presenta ninguna grieta o rendija. Al notar estas anomalías recambie en seguida esta sierra;*
- *Asegúrese de que la hoja de sierra está bien sujetada.*
- *No hacer uso de hojas de sierra deformadas o rotas.*
- *No aplicar nunca hojas HSS.*
- No hacer uso sino de hojas de sierra que correspondan exactamente a las dimensiones especificadas, así como a las descripciones; Asegurarse bien de las hojas de sierra utilizadas no tienen la parte trasera más ancha o el engranaje más pequeño que el cuchillo utilizado.
- Jamás parar la hoja de sierra, al ejercer presión lateral sobre la hoja de sierra, utilizada en el momento dado.
- Asegurarse personalmente de que la cubierta de protección móvil podrá moverse, libremente. Verificar si el mecanismo para hacer volver la cubierta de protección a la posición cerrada, está funcionando bien.
- Nunca bloquear la cubierta de protección móvil, al estar ella en su posición abierta.
- Al serrar la madera tenga cuidado con nudos, clavos, grietas y/o suciedad. Estas irregularidades pueden llevar a un bloqueo peligroso.

- Tenga cuidado de colocar siempre la sierra en un lugar seguro fuera del alcance de cualquiera.
- Esta sierra circular manual ha sido concebida para serrar varias clases de madera.
- Utilice la máquina únicamente para serrar productos de ese tipo.

Al utilizar la sierra circular

- La pieza para serrar tiene que estar bien sujeta.
- No quite con la mano los restos de madera y otros productos similares que se encuentran en la inmediata proximidad de la sierra. Caso que haya trocitos de madera entre las partes fijas y móviles, habrá que parar la sierra y sacar el enchufe de la caja de enchufes, antes de proceder a quitar los trocitos de madera.
- Al conectar la sierra circular tenga cuidado de que esté sin carga (no deje la sierra entrar en contacto con la pieza para serrar cuando se enchufa). La sierra circular tiene primero que alcanzar su número de revoluciones máximo.
- No sierra piezas que estén más espesas que la profundidad de la sierra.
- Cerciórese, al serrar en paredes o suelos, de que no hayan cables eléctricos o tubos para el gas o el agua.
- Desenchufe primero la sierra y espere a que se quede inmóvil antes de retirar la sierra de la pieza o de ponerla.

Desconectar inmediatamente el aparato en caso de:

- Sobrecalentamiento de la máquina.
- Fallo en el enchufe, en el cable o avería del cable.
- Interruptor averiado.
- Humo o mal humor de material aislante quemado.

Seguridad eléctrica

Tenga siempre presentes las normas de seguridad locales con respecto al peligro de incendio, peligro de sufrir descargas eléctricas y peligro de accidentes. Lea, además de las instrucciones que siguen a continuación, las normas de seguridad que aparecen en el cuadernillo anexo. Guarde cuidadosamente las instrucciones.



Controle que la tensión de la red sea la misma que la que aparece indicada en la placa.



Herramienta de tipo II - Doble aislamiento - No requiere enchufe con conexión a tierra.

Recambio de cables y enchufes

Si la red eléctrica de cables resulta dañada, se debe sustituir con una red de cables especial que se puede obtener del fabricante o del servicio de atención al cliente. Deshágase de los cables o clavijas antiguos inmediatamente después de sustituirlos por los nuevos. Es peligroso conectar a un enchufe la clavija de un cable suelto.

Uso de cables de extensión

Utilice siempre cables de extensión autorizados que sean aptos para la potencia del aparato. Los hilos deben tener un diámetro de 1,5 mm². Cuando el cable de extensión esté en un carrete, desenrolle el cable completamente.

3. INSTRUCCIONES DE MONTAJE



Antes de ajustar la sierra quite el enchufe.

Configuración del ángulo de serrado (bisel)

- Afloje ambos botones (12).
- Gire la plancha hasta la posición correcta (0° - 45°) y vuelva a apretar los botones. El ángulo de serrado (bisel) se puede leer en el transportador de ángulos (14).

Sujeción de la protección contra cortes

- Afloje el botón (11).
- Inserte la protección contra cortes en las ranuras a tal efecto.
- Configure el ancho de corte adecuado y vuelva a apretar el botón (11).

Configuración de la profundidad de corte

- Afloje el botón (3).
- Mueva la plancha (7) hacia abajo.
- Vuelva a apretar el botón de sujeción (3) una vez definida la profundidad correcta.

Cambio o limpieza de la hoja de sierra



Utilice sólo hojas de sierra recomendadas por el fabricante y que cumplan con la norma EN 847-1.

- Use el botón de fijación del eje (13) para impedir que gire dicho eje.
- A continuación, afloje el tornillo hexagonal (6) situado en el centro de la hoja de sierra usando la llave Allen que se incluye.
- Gire la protección de seguridad hacia atrás y sujétela en esta posición con la ayuda del botón (15).
- Saque el anillo de retención y la hoja de sierra, y limpie la hoja de sierra o cámbiela por otra nueva.
- Vuelva a colocar la hoja de sierra en el eje.
- Vuelva a colocar la protección de seguridad sobre la hoja de sierra, soltando el botón (15).
- Vuelva a presione el eje botón de fijación (13) en su posición, coloque de nuevo el anillo de retención (8) y apriete firmemente el tornillo hexagonal (6) tornillo una vez más.

4. MANEJO



Se recomienda el uso de protecciones para los oídos cuando se trabaje con la sierra circular.

Interruptor Marcha/Parada

- Pulse el botón (16) con el pulgar de su mano derecha y manténgalo apretado.
- Pulse a continuación el botón (2). La sierra empezará ahora a girar.
- Al soltar el botón (2) se para la sierra.

Modo de empleo

- Sujete la pieza para serrar de manera que tenga ambas manos libres para mantener la sierra y hacerla funcionar.
- Enchufe la sierra y ponga la suela en la pieza.
- Mueva lentamente hasta la línea de sierra previamente dibujada y empuje despacio la sierra hacia adelante.
- Apriete de manera firme la suela contra la pieza para serrar.



Deje la sierra ejecutar el trabajo! Por eso no haga presiones demasiado duras sobre la sierra.

5. MANTENIMIENTO



Antes de cualquier trabajo de mantenimiento o limpieza saque siempre el enchufe de la caja de corriente (enchufe de pared). No utilice nunca agua u otros líquidos para limpiar las partes eléctricas de su pulidora.

Los aparatos han sido diseñados para funcionar correctamente durante un largo periodo de tiempo necesitando un mantenimiento mínimo. Manteniendo limpio el aparato y usándolo correctamente, conseguirá alargar la vida útil de los aparatos.

Averías

Cuando la sierra circular no funciona como debiera, le indicamos abajo algunas causas posibles con las soluciones respectivas. Si no obstante no se puede solucionar el problema, haga reparar la máquina por una empresa de servicio autorizada o un especialista autorizado.

1. El motor se pone caliente.

- El motor está sobrecargado por causa de piezas demasiado grandes.
 - *Sierre a un ritmo más lento y deje enfriar el motor de vez en cuando.*
- Avería del interruptor
 - *Póngase en contacto con el proveedor de servicios indicado en la tarjeta de garantía.*

2. La sierra circular funciona cuando está conectada.

- Interrupción en el circuito eléctrico.
 - *Controle el cable y la clavija.*
- El interruptor está defectuoso
 - *Póngase en contacto con el proveedor de servicios indicado en la tarjeta de garantía.*

3. La pieza se mueve con dificultad en una línea recta contra la hoja de sierra y el corte de sierra es irregular.

- La hoja de sierra está curva o roma.
 - *Cambie la hoja de sierra*

4. La hoja de sierra hace ruido y/o marcha irregularmente.

- Las escobillas de carbón están gastadas.
 - Póngase en contacto con el proveedor de servicios indicado en la tarjeta de garantía.

Limpieza

Limpie regularmente el aparato con un paño, preferentemente después de cada uso. Asegúrese de que las rejillas de ventilación no posean partículas de polvo ni suciedad. Si hubiera suciedad incrustada, utilice un paño humedecido con agua y jabón. No utilice jamás materiales disolventes tales como gasolina, alcohol, amoníaco, etc. Dichos productos podrían dañar el plástico de diferentes piezas del aparato.

Cambio de las escobillas de carbon

- Saque los tornillos (17).
- Saque las escobillas de carbón (18) de la sierra de mano circular e inspecciónelas para comprobar si están desgastadas.
- Vuelva a colocar las escobillas de carbón en el soporte de la escobilla.
- Compruebe que el contacto de cobre de las escobillas de carbón haga un buen contacto con la pieza de cobre del soporte de la escobilla.
- Vuelva a colocar los tornillos (17) y apriételos firmemente.



Hay que cambiarlas cuando su largura es inferior a 4 mm.

Engrasado

El aparato no necesita ser engrasado.

Averías

Si se presenta una avería, por ejemplo, por el desgaste de una pieza, póngase en contacto con el proveedor de servicios indicado en la tarjeta de garantía. En el dorso de este manual encontrará un amplio resumen de las partes de recambio que se pueden ordenar.

USO EGOLÓGICO

Para prevenir los daños durante el transporte, el aparato ha sido embalado. Dicho embalaje está hecho, en la medida de lo posible, de material reciclable. Le rogamos, por lo tanto, que recicle dicho material.



Cualquier aparato eléctrico o electrónico desechado y/o defectuoso tiene que depositarse en los lugares apropiados para ello.

GARANTÍA

Lea atentamente las condiciones de garantía indicadas en la tarjeta de garantía que aparece en este manual de instrucciones.

SERRA CIRCULAR

Obrigado por ter adquirido este produto Ferm.

Agora possui um produto excelente, fornecido por um dos principais distribuidores Europeus. Todos os produtos que lhe são entregues pela Ferm são fabricados segundo as mais rigorosas normas de desempenho e segurança, e como parte da nossa filosofia, disponibilizamos um excelente serviço ao cliente acompanhado da nossa garantia total. Esperamos que goze a utilização deste produto durante muitos anos.

Los números constantes no texto que se seguem correspondência nas figuras presentes na página 2.



Para a sua própria segurança e para a segurança dos outros, leia cuidadosamente estas instruções antes de utilizar este aparelho. Vai ajudá-lo a compreender o produto mais facilmente e a evitar riscos desnecessários. Guarde este manual de instruções num local seguro para futuras utilizações.

Conteúdos

1. Dados da máquina
2. Instruções de segurança
3. Montagem e regulação
4. Manejo
5. Manutenção

1. DADOS DA MÁQUINA

Especificações técnicas

Voltagem	220-240 V
Frequência	50 Hz
Consumo	1050 W
No de ciclos em vazio	4900/min.
Potência de serra	Ø185*20*2.4mm Ø190*30*2.4mm
Max. profundidade da serra 90°	68 mm
Max. profundidade da serra 45°	46 mm
IP Classe	IP 20
Peso	4.19 kg
Lpa (Nível de pressão do som)	88+3 dB(A)
Lwa (Nível do som)	99+3 dB(A)
Nível de vibração	2+1,5 m/s ²

Nível de vibração

O nível de emissão de vibrações indicado na parte posterior deste manual de instruções foi medido de acordo com um teste normalizado fornecido na EN 62841; pode ser utilizado para comparar uma ferramenta com outra e como uma avaliação preliminar de exposição à vibração quando utilizar a ferramenta para as aplicações mencionadas

- utilizar a ferramenta para diferentes aplicações ou com acessórios diferentes ou mantidos deficiente, pode aumentar significativamente o nível de exposição
- o número de vezes que a ferramenta é desligada ou quando estiver a trabalhar sem fazer nada, pode reduzir significativamente o nível de exposição

Proteja-se contra os efeitos da vibração, mantendo a ferramenta e os acessórios, mantendo as mãos quentes e organizando os padrões de trabalho

Informação do produto

Fig. A

1. Pega
2. Interruptor de ligar/desligar
3. Botão de regulação da profundidade de corte
4. Cabo de alimentação
5. Protecção
6. Parafuso Allen
7. Sapata
8. Anel de fixação
9. Serra
10. Guia paralela da serra
11. Botão de regulação da guia paralela
12. Botões de regulação do ângulo da serra
13. Bloqueio do veio
14. Transferidor
15. Botão
16. Interruptor de segurança
17. Parafuso da escova de carbono
18. Escova de carbono

Conteúdo da embalagem

- 1 Serra circular
- 1 Guia lateral
- 1 Chave Allen

Antes de utilizar verifique se o conteúdo da embalagem não tem danos de transporte e se estão presentes todas as peças.

2. INSTRUÇÕES DE SEGURANÇA

Explicação dos símbolos



Indica o risco de ferimentos, perda de vida ou danos na ferramenta, se não seguir as instruções deste manual.



Indica o perigo de choque eléctrico



Mantenha as pessoas à distância



Utilize protecção visual e auditiva



Use uma máscara de pó. Trabalhar com madeira, metais e outros materiais pode produzir poeira potencialmente nociva para a saúde. Não trabalhe com material com contenha amianto!

Perigo

- Manter as mãos afastadas da área de corte e da lâmina. Manter a outra mão na pega auxiliar, ou na protecção do motor. Se as duas mãos estiverem a segurar a serra, não poderão ser cortadas pela lâmina.
- Não colocar as mãos por baixo da peça a trabalhar. A protecção não o/a poderá proteger da lâmina abaixo da peça a trabalhar.
- Ajustar a profundidade de corte à espessura da peça a trabalhar. Abaixo da peça a trabalhar só deverá ser visível menos do que a totalidade de um dente da lâmina.
- Nunca segurar com as mãos ou sobre as pernas a peça que vai cortar. Fixar a peça a trabalhar numa superfície estável. É importante apoiar correctamente o trabalho a fim de minimizar a exposição do corpo, dobragem da lâmina ou perda de controlo.
- Segurar a ferramenta eléctrica pelas superfícies de aderência isoladas quando executar uma operação em que a ferramenta

de corte possa entrar em contacto com cablagem escondida ou o próprio cabo eléctrico. O contacto com um fio sob tensão também exporá as partes metálicas da ferramenta eléctrica à tensão e o utilizador poderá apanhar um choque.

- Ao abrir entalhes, utilizar sempre uma protecção de entalhe ou uma guia recta. Assim melhorará a precisão do corte e reduz o risco de dobrar a lâmina.
- Utilizar sempre lâminas do tamanho e modelo correcto (diamante / redonda) dos orifícios de fixação. As lâminas que não estejam conforme o material de montagem da serra rodarão excentricamente, provocando perda de controlo.
- Nunca utilizar anilhas ou porcas de lâminas, incorrectas ou danificadas. As anilhas e porcas das lâminas foram especialmente concebidas para esta serra, para um desempenho óptimo e funcionamento seguro.

Causas e prevenção de recuo para o operador
O recuo é uma reacção súbita da lâmina da serra quando desalinhada, dobrada ou entalada, fazendo com que a serra, descontrolada, salte da peça a trabalhar na direcção do operador.

- Quando a lâmina é entalada ou firmemente bloqueada devido à aproximação do entalhe, a lâmina roda em falso e a reacção do motor faz com que o aparelho salte para trás na direcção do operador;
- Se a lâmina ficar dobrada ou desalinhada no corte, os dentes da aresta traseira da lâmina podem entrar na superfície superior da madeira fazendo com que a lâmina saia do entalhe e salte para trás na direcção do operador.

O recuo é o resultado da má utilização da serra e/ou procedimentos de utilização ou condições incorrectas e que podem ser evitadas implementando as precauções adequadas que se apresentam em seguida.

- Com as duas mãos, segurar bem na serra e colocar os braços de modo a resistirem à força do recuo. Posicionar o corpo num dos lados da lâmina, mas não no alinhamento da lâmina. O recuo pode fazer com que a serra

salte para trás, mas as forças do recuo podem ser controladas pelo operador, se forem implementadas as precauções correctas.

- b) Quando a lâmina dobra ou quando se interrompe o corte por qualquer razão, soltar o gatilho e manter a serra no material sem mexer até que a lâmina pare totalmente. Nunca tentar retirar a lâmina do trabalho ou puxar a serra para trás enquanto a lâmina se encontra em movimento ou poderá provocar um recuo. Analise o que se passa e implemente as medidas adequadas para eliminar o que faz com que a lâmina dobre.
- c) Quando reiniciar o trabalho na peça, centrar a lâmina da serra no entalhe e verificar que os dentes da serra não estão engatados no material. Se a lâmina da serra dobrar, pode subir ou recuar da peça a trabalhar quando puser a serra a funcionar.
- d) Ficar os painéis de grandes dimensões para minimizar o risco de a lâmina entalar e recuar. Os painéis de grandes dimensões têm tendência a dobrar sob o próprio peso. Os apoios devem ser colocados sob o painel, de ambos os lados, perto da linha de corte e perto da borda do painel.
- e) Não utilizar lâminas rombas ou danificadas. As lâminas mal afiadas ou incorrectamente instaladas resultam num entalhe apertado provocando fricção excessiva, o dobrar da lâmina e recuo.
- f) A profundidade da lâmina e as alavancas de regulação e fixação do bisel têm de estar apertadas e fixas antes de iniciar o corte. Se as regulações da lâmina se alterarem durante o corte, pode fazer com que a lâmina dobre e recue.
- g) Ter cuidado especial ao fazer um “corte vertical” em paredes existentes ou outras áreas sem visibilidade. A lâmina saliente pode cortar objectos que provoquem recuo.

Instruções de segurança da protecção inferior

- a) Antes de cada utilização, verificar a correcta fixação da protecção inferior. Não trabalhar com a serra se a protecção inferior não se deslocar livremente e fechar instantaneamente. Nunca fixe ou aperte a protecção inferior na posição aberta. Se acidentalmente deixar cair a serra, a protecção inferior pode dobrar. Subir a protecção inferior

utilizando a pega retraível e certifique-se que se desloca livremente e não toca na lâmina ou qualquer outra peça, em todos os ângulos e profundidades de corte.

- b) Verificar o funcionamento da mola da protecção inferior. Se a protecção e a mola não estiverem a funcionar correctamente, deverão ser alvo de manutenção antes de serem utilizadas. A protecção inferior pode estar a funcionar rudimentarmente devido a peças danificadas, depósitos pegajosos, ou um acumular de detritos.
- c) A protecção inferior deve poder ser recuada manualmente apenas para cortes especiais tais como “cortes verticais” e “cortes compostos”. Levantar a protecção inferior recuando a pega e assim que a lâmina penetre no material, a protecção inferior deve ser solta. Para todos os outros cortes, a protecção inferior deve funcionar automaticamente.
- d) Verificar sempre que a protecção inferior cobre a lâmina antes de pousar a serra na bancada ou no chão. Uma lâmina desprotegida, e a trabalhar lentamente fará com que a serra recue, cortando tudo o que encontrar no percurso. Fazer atenção ao tempo que a lâmina demora a parar depois de o interruptor ser libertado.

Antes de utilizar a serra circular

Verifique o seguinte:

- *Se a voltagem do motor corresponde à voltagem da rede eléctrica.*
- *Se os cabos de alimentação e ficha estão em bom estado.*
- *Verifique se não faltam dentes à serra e se a serra não tem fendas. Esta serra deve ser imediatamente substituída.*
- *Verifique se a serra está bem fixa.*
- *Não use serras deformadas ou danificadas.*
- Não use serras HSS.
- Apenas use serras que ficam dentro das dimensões e da descrição. Não use serras com o corpo mais largo ou com os dentes menos largos que a lâmina da ranhura.
- Nunca pare a serra fazendo uma força lateral na serra.
- Certifique-se de que a protecção móvel se move livremente. Certifique-se de que o mecanismo que empurra a protecção de volta para a posição de fechada funciona bem.

- Não bloqueie a protecção numa posição de aberta.
- Enquanto serrar madeira tenha atenção a pregos, fendas ou depósito de detritos. Se serrar este tipo de madeira a serra pode ficar perigosamente presa.
- Nunca deixe a serra circular sem vigilância.
- Apenas use a máquina para serrar madeira.

Durante a utilização da máquina

- Mantenha a peça a ser trabalhada firmemente presa no lugar.
- Os restos de madeira, etc., que se encontrem junto da serra não podem ser retirados com a mão. Quando os restos de madeira ficarem presos entre as peças móveis e/ou fixas, a máquina terá que ser parada e a ficha deve ser retirada da tomada, antes de retirar os restos de madeira.
- Certifique-se de que liga a serra circular em vazio (por isso, durante o arranque a serra não pode entrar em contacto com a peça a ser trabalhada). A serra circular deve estar às máximas rotações quando efectua o contacto.
- Não serre peças com espessura superior à profundidade de corte da serra.
- Quando serrar paredes ou chão certifique-se de não têm cabos eléctricos, tubos de gás ou tubos de água.
- Quando pretender pousar a máquina, desligue a serra circular, espere que a serra pare completamente, e depois retire-a da peça a ser trabalhada para a pousar.

Desligar imediatamente a máquina se:

- Defeito na ficha, nos condutores ou no revestimento do cabo.
- Interruptor defeituoso.
- Sobreaquecimento da máquina.
- Fumo ou mau cheiro do isolamento.

Segurança eléctrica

Quando usar ferramentas eléctricas, respeite sempre as regras de segurança localmente em vigor, referentes ao perigo de incêndio, choque eléctrico ou ferimentos. Além das instruções seguintes leia também as instruções de segurança fornecidas em separado. Guarde cuidadosamente estas instruções!



Verifique sempre se a voltagem da rede corres-ponde à voltagem indicada na chapa de tipo.



Máquina classe II – Isolamento duplo – Não necessita de tomada com terra.

Substituição de cabos ou fichas

Em caso de deterioração do cabo da corrente, este deverá ser substituído por um cabo de corrente especial, disponível a partir do fabricante ou do serviço de apoio ao cliente do fabricante. Destrua os cabos ou fichas usados imediatamente após a sua substituição por novos. É perigoso ligar a ficha de um cabo frouxo a uma tomada.

Utilização de cabos de prolongamento

Apenas use cabos de prolongamento aprovados que sejam adequados para a potência da máquina. A espessura mínima dos fios condutores é de 1,5 mm². Quando usar um cabo de prolongamento enrolado, desenrole sempre o cabo completamente.

3. MONTAGEM E REGULAÇÃO



Antes de regular a serra, deve primeiro verificar se a ficha foi tirada da tomada.

Regular o ângulo de corte

- Solte ambos os botões (12).
- Rode a sapata para a posição correcta (0° - 45°). O ângulo de corte pode ser lido no indicador de graus (14).

Montar a guia paralela da serra

- Solte o botão (11).
- Coloque a guia paralela da serra na abertura a ela destinada.
- Regule a largura correcta e volte a apertar o botão (11).

Regular a profundidade de corte

- Solte o botão (3).
- Mova a sapata (7) para baixo.
- Volte a apertar o botão (3) quando a profundidade pretendida estiver regulada.

Trocar ou limpar a serra



Utilize apenas lâminas de serra recomendadas pelo fabricante e em conformidade com a norma EN 847-1.

- Use o botão de bloqueio do veio (13) para prender o eixo.
- A seguir, solte o parafuso Allen (6) no meio da serra com a ajuda da chave Allen.
- Coloque a protecção para trás e mantenha-a fixa com a ajuda do botão (15).
- Tire o anel de fixação e a serra, limpe a serra ou substitua a serra por uma nova.
- Coloque novamente a serra no sítio certo.
- Solte o botão (15) para que a protecção volte para a frente da serra.
- Carregue para dentro o botão de bloqueio do veio (13), coloque o anel de fixação (8) e aperte o parafuso Allen (6).

4. MANEJO



É recomendada a utilização de protecção auricular ao trabalhar com a serra circular.

Ligar/Desligar

- Carregue no botão (16) com o polegar da mão direita e mantenha-o carregado.
- A seguir carregue no botão (2). A serra circular começa a rodar.
- Se soltar o botão (2) a serra circular pára.

Utilização

- Fixe a peça a ser trabalhada para que tenha ambas as mãos livres para segurar e manejar a serra circular.
- Ligue a serra circular e coloque o fundo da serra na peça a ser serrada.
- Mova lentamente para a linha anteriormente traçada e avance lentamente com a serra circular.
- Carregue bem o fundo da serra contra a peça a ser trabalhada.



Deixe a serra circular fazer o trabalho! Por isso, não carregue com muita força contra a caixa da serra circular.

5. MANUTENÇÃO



Certifique-se que a máquina não está sob tensão sempre que levar a cabo os trabalhos de manutenção no motor.

As máquinas foram concebidas para operar durante de um período de tempo prolongado com um mínimo de manutenção. A continuidade do funcionamento satisfatório da máquina depende da adequada manutenção da máquina e da sua limpeza regular.

Avarias

No caso da serra circular não funcionar correctamente, indicmos a seguir algumas causas possíveis e as respectivas soluções.

1. O motor eléctrico fica excessivamente quente.

- O motor está a ser sobrecarregado com uma peça a serrar excessivamente grande.
 - *Serre mais lentamente e dê ao motor a oportunidade de arrefecer.*
- O motor tem defeito.
 - *Contacte o endereço de assistência indicado no cartão de garantia.*

2. A máquina ligada não funciona.

- A linha de alimentação está interrompida.
 - *Verifique se há alguma falha na ligação à rede eléctrica.*
- Interruptor danificado.
 - *Contacte o endereço de assistência indicado no cartão de garantia.*

3. É difícil levar em linha recta a peça a ser serrada ao longo da serra e o corte é irregular.

- A serra está torta ou não está afiada.
 - *Substitua a serra.*

4. A serra circular faz barulho e/ou anda irregularmente.

- As escovas de carbono estão gastas.
 - *Contacte o endereço de assistência indicado no cartão de garantia.*

Limpeza

Limpe regularmente a carcaça da máquina com um pano suave, de preferência após cada utilização. Mantenha as aberturas de ventilação sempre livres de poeiras e sujidade. No caso da sujidade custar a sair, use um pano suave humedecido em água de sabão. Nunca utilize solventes como por exemplo gasolina, álcool, amoníaco, etc. Estes solventes poderão danificar as partes plásticas da máquina.

Substituir as escovas de carbono

- Solte os parafusos (17).
- Tire as escovas de carbono (18) da serra circular e controle as escovas de carbono.
- Volte a colocar as escovas nas aberturas a elas destinadas.
- Verifique se a parte em cobre das escovas de carbono faz bom contacto com a parte em cobre na abertura.
- Volte então a colocar os parafusos (17) no lugar e aperte-os.



Se as escovas de carbono forem mais curtas que 4 mm, estas devem ser substituídas por escovas novas.

Lubrificação

A máquina não requer qualquer lubrificação adicional.

Falhas

Se ocorrer alguma falha, por exemplo, devido a desgaste duma peça, contacte o endereço de assistência indicado no cartão de garantia. No fim deste manual encontra um diagrama de componentes alargado com as peças que podem ser encomendadas.

PROTECÇÃO DO MEIO AMBIENTE

Com vista a evitar quaisquer danos de transporte, a máquina é fornecida numa embalagem resistente, fabricada na medida do possível em materiais recicláveis. Entregue, portanto, a embalagem para reciclagem.



Os aparelhos eléctricos ou electrónicos avariados e/ou eliminados têm de ser recolhidos nos pontos de reciclagem adequados.

GARANTIA

Os termos e condições da garantia encontram-se descritos no boletim da garantia fornecido em separado.

SEGA CIRCOLARE

Grazie per aver acquistato questo prodotto Ferm.

Con il suo acquisto è entrato in possesso di un prodotto eccellente, offerto da uno dei distributori leader in Europa. Tutti i prodotti di Ferm sono fabbricati seguendo i più elevati standard di prestazioni e sicurezza e, nell'ambito della nostra filosofia, forniamo un eccellente servizio di assistenza alla clientela accompagnato da una Garanzia completa. Ci auguriamo che troverà di suo gradimento l'utilizzo di questo prodotto per molti anni a venire.

I numeri del testo che segue corrispondono alle immagini pagina 2.



Per la vostra sicurezza e quella degli altri, per favore leggere attentamente queste istruzioni prima di usare questo apparecchio. Vi aiuteranno a capire il funzionamento del vostro prodotto più facilmente e ad evitare rischi. Conservare questo manuale di istruzioni in un luogo sicuro per uso futuro.

Contenuti

1. Dati della macchina
2. Misure di sicurezza
3. Montaggio/regolazione
4. Messa in servizio
5. Manutenzione

1. DATI DELLA MACCHINA

Caratteristiche tecniche

Tensione	220-240 V
Frequenza	50 Hz
Potenza assorbita	1050 W
Velocità in assenza di carico	4900/min
Dimensi lama di sega	Ø185*20*2.4mm
	Ø190*30*2.4mm
Profondità max della troncatrice 90°	68 mm
Profondità max della troncatrice 45°	46 mm
Classe IP	IP 20
Peso	4.19 kg
Lpa (pressione sonora)	88+3 dB(A)
Lwa (potenza sonora)	99+3 dB(A)
Vibrazioni	2+1,5 m/s ²

Livello delle vibrazioni

Il livello di emissione delle vibrazioni indicato sul retro di questo manuale di istruzioni è stato misurato in conformità a un test standardizzato stabilito dalla norma EN 62841; questo valore può essere utilizzato per mettere a confronto un l'utensile con un altro o come valutazione preliminare di esposizione alla vibrazione quando si impiega l'utensile per le applicazioni menzionate

- se si utilizza l'utensile per applicazioni diverse, oppure con accessori differenti o in scarse condizioni, il livello di esposizione potrebbe aumentare notevolmente
- i momenti in cui l'utensile è spento oppure è in funzione ma non viene effettivamente utilizzato per il lavoro, possono contribuire a ridurre il livello di esposizione

Proteggersi dagli effetti della vibrazione effettuando la manutenzione dell'utensile e dei relativi accessori, mantenendo le mani calde e organizzando i metodi di lavoro

Informazioni sul prodotto

Fig. A

1. Impugnatura
2. Interruttore acceso / spento
3. Manopola per fissare la profondità di taglio
4. Cavo d'alimentazione
5. Dispositivo di sicurezza per la lama della sega
6. Vite a testa esagonale
7. Piastra
8. Anello di ritenuta
9. Lama della sega
10. Guida per il taglio longitudinale
11. Manopola per fissare la guida per il taglio longitudinale
12. Manopola per fissare l'angolo di segatura
13. Manopola per bloccare l'asse
14. Goniometro
15. Manopola
16. Interruttore di sicurezza
17. Vite della spazzola di carbone
18. Spazzola di carbone

Apertura della confezione

- 1 Sega circolare
- 1 Guida per il taglio longitudinale
- 1 Chiave per viti Allen

Controllare che la mercanzia non sia stata danneggiata durante il trasporto e che tutti pezzi smontati siano presenti.

2. MISURE DI SICUREZZA

Legenda dei simboli



Segnala il rischio di lesioni personali, di morte o di danni all'apparecchio in caso di non osservanza delle istruzioni di questo manuale.



Indica il rischio di scossa elettrica.



Tenere gli spettatori a distanza



Indossare protezioni per occhi e orecchie



Indossare una mascherina per la polvere. Lavorando con il legno, metalli e altri materiali potrebbero venire prodotte polveri dannose per la salute. Non lavorate con materiali che contengono amianto!

Pericolo

- Tenere le mani lontano dall'area di taglio e dalla lama. Tenere la seconda mano sull'impugnatura ausiliaria, o sull'alloggiamento del motore. Se entrambe le mani sono impegnate a tenere la sega, non possono essere tagliate dalla lama.
- Non mettere le mani sotto il pezzo da lavorare. Il dispositivo di sicurezza non è in grado di offrire protezione dalla lama sotto il pezzo da lavorare.
- Regolare la profondità di taglio in base allo spessore del pezzo da lavorare in modo che al di sotto di questo sia visibile meno di un dente intero della dentatura della lama.
- Non tenere mai il pezzo che viene tagliato in mano o su una gamba, ma fissarlo ad una piattaforma stabile. È importante supportare adeguatamente il lavoro in modo da ridurre al minimo l'esposizione del corpo, l'inceppamento della lama o la perdita di controllo.

- Tenere la macchina utensile afferrandola per le superfici di presa isolate quando si effettua un'operazione in cui l'utensile da taglio può entrare in contatto con fili nascosti o con il cavo della macchina stessa. Il contatto con un cavo sotto tensione metterà sotto tensione anche le parti metalliche esposte della macchina utensile, dando la scossa all'operatore.
- Quando si effettuano tagli longitudinali usare sempre un'apposita guida per tagli longitudinali o una guida a filo diritto per migliorare la precisione del taglio e ridurre la possibilità di inceppamento della lama.
- Usare sempre lame con dimensioni e forme adeguate (a diamante piuttosto che tonde) dei fori dell'albero. Le lame che non si adattano al supporto di montaggio della sega girano eccentricamente, provocando perdita di controllo.
- Non usare mai rondelle o bulloni per lame danneggiati o del tipo inadatto. Le rondelle e i bulloni delle lame sono stati progettati specificatamente per la sega su cui devono essere montati, in modo da garantire prestazioni ottimali e sicurezza di funzionamento.

Cause dei contraccolpi e misure preventive da parte dell'operatore

- Il contraccolpo è una reazione improvvisa ad una lama incastrata, inceppata o disallineata, che provoca la fuoriuscita e lo sbalzo della sega, fuori controllo, dal pezzo in lavorazione verso l'operatore;
- Quando è arrestata o incastrata a fondo nel solco di taglio che si chiude, la lama si blocca e la reazione del motore riporta rapidamente l'apparecchio indietro verso l'operatore;
- Se la lama si deforma o disallinea nel taglio, i denti sul bordo posteriore della lama possono penetrare nella superficie superiore del legno facendo saltare la lama dal solco di taglio addosso all'operatore.

Il contraccolpo è il risultato di un uso inappropriato della sega e/o di errate procedure o condizioni di utilizzo e può essere evitato prendendo le precauzioni adatte, riportate sotto.

- Impugnare bene l'utensile tenendo entrambe le mani sulla sega e mettendo le braccia in modo da opporsi alle forze di contraccolpo.

Posizionare il corpo al lato della lama, ma non in linea con essa. Il contraccolpo potrebbe far saltare indietro la sega, ma le forze di contraccolpo possono essere controllate dall'operatore se si prendono le precauzioni adeguate.

- b) Quando la lama si inceppa, o quando si interrompe un taglio per qualsiasi motivo, rilasciare l'interruttore a grilletto e tenere la sega immobile nel materiale finché la lama non si sia arrestata completamente. Non cercare mai di rimuovere la sega dal lavoro o tirarla indietro mentre la lama è in movimento o si può verificare un contraccolpo. Indagare e prendere le misure correttive necessarie ad eliminare la causa dell'inceppamento della lama.
- c) Quando si riavvia una sega già inserita nel pezzo da lavorare, centrare la lama nel solco di taglio e verificare che i denti non siano bloccati nel materiale. Se si inceppa, la lama potrebbe far fuoriuscire o saltare via il pezzo da lavorare quando la sega viene riavviata.
- d) Supportare i pannelli più grandi per ridurre al minimo il rischio che la lama si incastri e rinculi. I pannelli più grandi tendono a piegarsi sotto il proprio peso, per cui devono essere sistemati nei supporti da entrambi i lati sotto il pannello, vicino alla linea di taglio e al bordo del pannello.
- e) Non usare lame senza filo o danneggiate. Le lame non affilate o sistemate in maniera inadeguata producono un solco di taglio stretto con conseguente frizione eccessiva, inceppamento della lama e contraccolpo.
- f) Le leve di fissaggio per la regolazione della profondità della lama e dell'angolo obliquo devono essere strette e sicure prima dell'esecuzione di un taglio. Se la regolazione della lama si sposta durante il taglio, può provocare inceppamento e contraccolpi.
- g) Usare maggiore attenzione quando si effettua un "taglio a tuffo" nelle pareti già esistenti o in altri punti ciechi. La lama sporgente potrebbe tagliare oggetti che possono provocare un contraccolpo.

Norme di sicurezza per l'uso della protezione inferiore

- a) Prima di ciascun utilizzo verificare che la protezione inferiore si richiuda bene. Non mettere in funzione la sega se la protezione inferiore non si muove liberamente e non

si chiude istantaneamente. Non bloccare o fissare mai la protezione inferiore in posizione aperta. Se la sega viene fatta cadere accidentalmente, la protezione inferiore si potrebbe piegare; sollevarla con il manico retrattile e assicurarsi che si muova liberamente e non tocchi la lama o altre parti, in tutti gli angoli e le profondità di taglio.

- b) Verificare il funzionamento della molla della protezione inferiore. Se la protezione e la molla non funzionano adeguatamente, devono essere sottoposte a revisione prima dell'uso. La protezione inferiore potrebbe funzionare debolmente a causa di parti danneggiate, depositi gommosi o accumulo di scorie.
- c) La protezione inferiore dovrebbe essere ritratta manualmente solo per tagli speciali come i "tagli a tuffo" e i "tagli composti". Sollevare la protezione inferiore mediante il manico retrattile e, appena la lama entra nel materiale, la protezione inferiore deve essere rilasciata. Per tutte le altre applicazioni di taglio con sega, la protezione inferiore dovrebbe funzionare automaticamente.
- d) Assicurarsi sempre che la protezione inferiore copra la lama prima di poggiare la sega su un banco o sul pavimento. Una lama priva di protezione, che continua a girare per forza d'inerzia, farà saltare all'indietro la sega, che taglierà qualsiasi cosa troverà sulla sua strada. Occorre conoscere il tempo necessario alla lama per arrestarsi dopo il rilascio dell'interruttore.

Prima di usare la sega circolare

Controllate quanto segue:

- *Che il voltaggio del motore e della sicurezza motore (se esistente) corrispondano al voltaggio principale (voltaggio richiesto per l'apparecchiatura 220-240 V).*
- *Che il cavo elettrico e la presa di corrente siano in buone condizioni: solidi, e senza difetti o rotture.*
- *Che la lama sia ben fissata.*
- *Che la sega circolare venga usata unicamente per legno o prodotti simili al legno.*
- *Non usate dischi di seghe circolari danneggiati o deformati.*
- Non applicate dei dischi HSS.
- Fate uso esclusivo di dischi di seghe circolari che rispettino le dimensioni richieste come

pure i dati tecnici e le descrizioni; non applicate dischi la cui parte principale è più larga o l'ingranaggio di taglio più piccolo del corpo principale del coltello di rottura.

- Non fermate il disco della sega circolare facendo pressione laterale sul disco.
- Convincetevi del fatto che il tappo di protezione mobile potrà muoversi liberamente. Accertatevi che il meccanismo necessario per spingere indietro il tappo di protezione potrà lavorare bene, in relazione alla posizione chiusa.
- Non dimenticate di non fissare il tappo di protezione mobile nella posizione aperta.
- Non esercitate mai pressione laterale sulla lama. Questo potrebbe causare la rottura della lama.
- Prestate molta attenzione quando si taglia legno nodoso, con chiodi o crepe e/o dello sporco sopra, poiché ciò potrebbe far fermare la lama.
- Non lasciate mai la sega circolare incustodita.
- Usate questa sega circolare solo su legno o su prodotti simili al legno

Uso dell'apparecchio

- Usate ganasce o una morsetto per fissare il lavoro.
- Non spostate schegge di legno o simili nelle vicinanze della lama con le mani. Poiché ci sono piccoli pezzi di legno tra le parti fisse e le parti mobili, la sega circolare dovrà essere fermata, staccando la presa di corrente, prima di rimuovere qualsiasi cosa.
- Non tentate di tagliare prima che la sega circolare abbia raggiunto la velocità massima. Accertatevi che la sega circolare gira senza carico (e quindi non è in contatto con il lavoro) quando accendete l'apparecchio. La sega circolare deve avere prima raggiunto la velocità massima.
- Non tagliate mai del legno che è più spesso della lunghezza della lama di taglio.
- Quando tagliate muri o pavimenti di legno, controllate che non ci siano cavi elettrici o tubazioni dove intendete tagliare.
- Spegnete l'apparecchio ed aspettate fino a che la lama è completamente ferma, prima di spostare la sega dal lavoro ed appoggiarla.

Spegnete immediatamente l'apparecchio quando:

- La spina di corrente o il cavo elettrico sono sfrangiati o danneggiati.
- La presa di corrente è difettosa.
- La sega circolare si surriscalda.
- Si avverte la presenza di fumo od odore causato dall'insulazione bruciacchiata.

Norme elettriche di sicurezza

Quando utilizar máquinas eléctricas deve sempre respeitar as normas de segurança em vigor no local, devido ao perigo de incêndio, de choques eléctricos ou ferimentos pessoais. Para além das instruções abaixo, leia também as instruções de segurança apresentadas no folheto de segurança em anexo. Guarde as instruções num lugar seguro!



Accertarsi sempre che l'alimentazione elettrica corrisponda alla tensione indicata sulla targhetta dei dati caratteristici.



Macchina classe II - Doppio isolamento - Non è necessaria la messa a terra.

Substituição de cabos ou fichas

Em caso de deterioração do cabo da corrente, este deverá ser substituído por um cabo de corrente especial, disponível a partir do fabricante ou do serviço de apoio ao cliente do fabricante. Destrua os cabos ou fichas usados imediatamente após a sua substituição por novos. É perigoso ligar a ficha de um cabo frouxo a uma tomada.

Uso di cavi di prolunga

L'affilatrice è equipaggiata di un filo di alimentazione a tre conduttori e una presa con la messa a terra, Ecco perché si deve sempre utilizzare una presa di corrente con la messa a terra. Se avete bisogno di una prolunga si deve utilizzare una prolunga a tre conduttori con messa a terra provvista di una presa e di una spina femmina provviste di una messa a terra. La misura minima del conduttore è di 1,5 mm².

3. MONTAGGIO / REGLAZIONE



Prima di regolare la sega, accertate viche l'apparecchio disconnesso.

Regolazione dell'angolo di segatura (angolo obliquo)

- Allentare le due manopole (12).
- Ruotare la piastra sulla posizione corretta (0° - 45°) e stringere nuovamente le manopole. L'angolo di segatura (angolo obliquo) si può leggere sul goniometro (14).

Adattare la guida per il taglio longitudinale

- Allentare la manopola (11).
- Introdurre la guida per il taglio longitudinale nelle apposite fessure.
- Regolare l'ampiezza di taglio corretta e stringere nuovamente la manopola (11).

Regolazione della profondità di taglio

- Allentare la manopola (3).
- Spostare la piastra (7) verso il basso.
- Dopo aver regolato la profondità corretta, stringere nuovamente la manopola di fissaggio (3).

Sostituzione o pulizia della lama della sega



Utilizzare unicamente lame raccomandate dal produttore e conformi alle norme EN 847-1.

- Usare la manopola di bloccaggio dell'asse (13) per evitare la rotazione dell'asse.
- Quindi allentare la vita a testa esagonale (6) al centro della lama della sega usando la chiave per viti Allen fornita.
- Spostare il dispositivo di sicurezza sul retro e mantenerlo con l'aiuto della manopola (15).
- Ritirare l'anello di ritenuta e la lama della sega e pulire la lama della sega o sostituirla con una nuova.
- Ricollocare la lama della sega sull'asse.
- Il cuneo divisorio deve essere utilizzato sempre, tranne quando s'intenda tagliare il pezzo da lavorare nel mezzo.
- Lasciare che il dispositivo di sicurezza ritorni sulla lama della sega rilasciando la manopola (15).
- Stringere di nuovo la manopola di bloccaggio dell'asse (13), riaggiustare l'anello di ritenuta (8) e stringere con forza un'altra volta la vite a testa esagonale (6).

4. MESSA IN SERVIZIO



Si raccomanda l'uso di una protezione per l'udito durante l'utilizzo della sega circolare

Interruttore Inserimento/Desinserimento

- Premere il pulsante (16) con il pollice della mano destra e tenerlo premuto.
- Premere il pulsante (2) per accendere l'apparecchio.
- Rilasciare il pulsante (2) per spegnere l'apparecchio.

Operatività

- Tenete fermo il lavoro usando ganasce o morsetti per avere entrambe le mani libere per usare l'apparecchio
- Accendere l'apparecchio ed appoggiare il piano inferiore sul lavoro.
- Muovere lentamente l'apparecchio verso la linea di taglio precedentemente tracciata e premere l'apparecchio in avanti.
- Tenere il piano inferiore fermamente appoggiato al lavoro per evitare che la sega circolare inizi a vibrare, causando una rottura prematura della lama.



Lasciate che sia l'apparecchio a fare il lavoro, non esercitate pressione inutile sulla sega circolare.

5. MANUTENZIONE



Assicurarsi che la macchina non sia in funzione mentre si effettuano operazioni di manutenzione sul motore.

Le macchine sono state progettate per funzionare per lunghi periodi di tempo, pur richiedendo interventi di manutenzione minimi. Un funzionamento continuo soddisfacente dipende dall'adeguata conservazione della macchina e da una pulizia regolare.

Soluzione ai problemi

Di seguito, elenchiamo le più probabili cause e soluzioni per aiutarVi nel caso in cui la sega circolare non dovesse funzionare bene.

1. La temperatura del motore elettrico eccede i 70°C.

- Il motore stato sovraccaricato da un lavoro troppo grande.
 - *Tagliare più lentamente e permettere al motore di raffreddarsi.*
- Il motore difettoso.
 - *Si prega di contattare il servizio di assistenza all'indirizzo riportato sulla scheda di garanzia.*

2. L'apparecchio non lavora quando viene acceso.

- Il cavo e/o la spina sono danneggiati.
 - *Controllare il cavo e/o la spina.*
- Il tasto di accensione difettoso.
 - *Si prega di contattare il servizio di assistenza all'indirizzo riportato sulla scheda di garanzia.*

3. Quando tagliando risulta difficile muovere in avanti il lavoro ed il taglio non pulito.

- La lama si curvata o allentata.
 - *Sostituire la lama.*

4. La sega circolare fa parecchio rumore e/o non scorre agevolmente.

- Le spazzole di carbonio sono usurate.
 - *Si prega di contattare il servizio di assistenza all'indirizzo riportato sulla scheda di garanzia.*

Pulizia

Pulire regolarmente il corpo macchina con un panno morbido, possibilmente dopo ogni uso. Eliminare polvere e sporco dalle feritoie di ventilazione. Se lo sporco non è asportabile, usare un panno morbido inumidito con acqua saponata. Non usare mai solventi come benzina, alcool, ammoniaca, ecc, perché potrebbero danneggiare i componenti in plastica.

Sostituzione delle spazzole di carbone

Fig. F

- Togliere le viti (17).
- Ritirare le spazzole di carbone (18) dalla sega circolare e controllare se sono logore.
- Ricollocare le spazzole di carbone negli appositi sostegni.
- Controllare che il contatto di rame delle spazzole di carbone stia bene in contatto con

la parte in rame del sostegno delle spazzole.

- Rimettere a posto le viti (17) e stringerle con forza.



Se le spazzole sono usurate a meno di 4 mm, vanno sostituite.

Lubrificazione

La macchina non richiede lubrificazioni aggiuntive.

Riparazioni e commercianti

Se si presentano problemi a causa di, per esempio, usurati una parte della sega, si prega di contattare il servizio di assistenza all'indirizzo riportato sulla scheda di garanzia.

AMBIENTE

Per evitare che si danneggi durante il trasporto, la macchina è imballata in un contenitore resistente. La maggior parte dei componenti dell'imballaggio sono riciclabili. Portare tali materiali presso gli appositi centri di riciclaggio.



Strumenti elettrici e/o elettronici difettosi o usurati devono essere smaltiti in appropriate aree di riciclaggio.

GARANZIA

Le condizioni di garanzia sono espone nell'apposita scheda allegata a parte.

CIRKELSÅG

Tack för att du har valt att köpa denna Ferm-produkt.

Du har nu en enastående produkt som har levererats av en av Europas ledande distributörer. Alla produkter som Ferm levererar till dig är tillverkade enligt högsta standarder för prestanda och säkerhet. Dessutom ingår det i vår filosofi att erbjuda en högklassig kundservice som backas upp av vår omfattande garanti. Vi hoppas att du får många års glädje av din nya produkt.

Siffrorna i nedanstående text motsvarar bilderna på sidan 2



För din egen och andras säkerhet, var vänlig läs denna bruksanvisning noggrant innan apparaten tas i bruk. Det kommer att hjälpa dig att förstå din produkt bättre och förebygger onödiga risker. Spara denna bruksanvisning på ett säkert ställe för framtida bruk.

Innehåll

1. Tekniska specifikationer
2. Säkerhetsföreskrifter
3. Montering och inställningsföreskrifter
4. Bruk
5. Underhåll

1. TEKNISKA SPECIFIKATIONER

Teknika data

Spänning	220-240 V
Frekvens	50 Hz
Effektförbrukning	1050 W
Varvtal, obelastad	4900/min
Sågklinga	Ø185*20*2.4mm Ø190*30*2.4mm
Max sågdjup 90°	68 mm
Max sågdjup 45°	46 mm
IP-klass	IP 20
Vikt	4.19 kg
Lpa (bullernivå)	88+3 dB(A)
Lwa (bullereffekt)	99+3 dB(A)
Vibrationsvärde	2+1,5 m/s ²

Vibrationsnivå

Vibrationsemissionsvärdet som står på baksidan av den här instruktionsboken har uppmätts enligt ett standardiserat test i enlighet med EN 62841; detta värde kan användas för att jämföra vibrationen hos olika verktyg och som en ungefärlig uppskattning av hur stor vibration användaren utsätts för när verktyget används enligt det avsedda syftet

- om verktyget används på ett annat än det avsedda syftet eller med fel eller dåligt underhållna tillbehör kan detta drastiskt öka vibrationsnivån
- när verktyget stängs av eller är på men inte används, kan detta avsevärt minska vibrationsnivån

Skydda dig mot vibration genom att underhålla verktyget och dess tillbehör, hålla händerna varma och styra upp ditt arbetssätt

Produktinformation

Fig. A

1. Handtag
2. Strömbrytare
3. Ställknapp för skärdjup
4. Nätsladd
5. Sågbladsskydd
6. Sexkantsskruv
7. Fotplatta
8. Stoppring
9. Sågblad
10. Klyvskydd
11. Klyvskyddets ställknapp
12. Sågvinkelns ställknapp
13. Axelns spärrknapp
14. Skydd
15. Vred
16. Säkerhetsbrytare
17. Kolborstskruv
18. Kolborste

Förpackningens innehåll

- 1 Cirkelsåg
- 1 Klyvskydd
- 1 Sexkantsnyckel

Kontrollera om maskinen, tösa delar eller tillbehör uppvisar transportkador.

2. SÄKERHETSFORESKRIFTER

Symbolernas betydelse



Anger att det föreligger risk för personskador, livsfara eller risk för skador på maskinen om instruktionerna i denna bruksanvisning inte efterlevs.



Anger risk för elektrisk stöt.



Förbipasserande får inte komma för nära



Bär ögon- och hörselskydd



Använd en skyddsmask mot damm. När du arbetar med trä, metall eller andra material, kan damm bildas som är skadlig för hälsan. Arbeta ej med material som innehåller asbest!

Varning

- Håll händerna borta från skärområdet och klingan. Håll din andra hand på hjälphandtaget eller motorhöljet. Om båda händer håller sågen kan de inte skadas av klingan.
- Sträck dig inte under arbetsstycket. Skyddsanordningen kan inte skydda dig från klingan under arbetsstycket.
- Justera skärdjupet efter arbetsstyckets tjocklek. Det får inte synas mer än en hel tand av klingans tänder under arbetsstycket.
- Håll aldrig det stycke som skall sågas i dina händer eller mot dina ben. Fäst arbetsstycket i en stabil plattform. Det är viktigt att stödja arbetsstycket ordentligt för att minimera kroppslig kontakt, förhindra att klingan nyper fast eller att du tappar kontrollen.
- Håll elverktyget i de isolerade greppytorna när skärverktyget kan komma i kontakt med dolda kablar eller sin egen kabel. Vid kontakt med en strömförande kabel utsätts också elverktygets metalldelar för ström och operatören kan då få en stöt.
- Vid klyvsågning skall alltid ett mothåll eller en rak kantstyrning användas. Detta förbättrar sågsnittets noggrannhet och minskar risken för att klingan nyper fast.

- Använd alltid klingor med rätt storlek och form (diamant eller runt) på fästets hål. Klingor som inte passar i sågens fäste kommer inte att röra sig i cirkelrund bana, vilket kan leda till att du tappar kontrollen.
- Använd aldrig skadade eller felaktiga brickor eller bultar på klingorna. Klingornas brickor och bultar är specialkonstruerade för din såg, för optimal prestanda och driftssäkerhet.

Orsaker till och förebyggande av driftskast

- Kast är en plötslig reaktion från en klämd, fastnyppt eller felriktad sågklinga, vilket gör att en okontrollerbar såg lyfts upp från arbetsstycket mot operatören;
- När klingan nyps fast eller kläms ordentligt i skåran drivs enheten snabbt tillbaka mot operatören, på grund av klingans tjuvstopp och motorns reaktion.
- Om klingan vrids eller riktas fel i klyvningen, kan tänderna på klingans bakre kant borra in sig i den övre träytan, vilket gör att klingan reser sig från skåran och kastas tillbaka mot operatören.

Kast är resultatet av felaktig användning av sågen och/eller felaktiga driftsförfaranden eller -förhållanden, vilket kan undvikas genom att följa de försiktighetsåtgärder som visas nedan.

- Behåll ett fast grepp med båda händer på sågen och placera dina armar så att de står emot kraften från plötsliga kast. Placera kroppen på en av sågens sidor, men inte i linje med klingan. Plötsliga kast kan göra att sågen kastas bakåt, men kraften från plötsliga kast kan däremot kontrolleras av operatören om korrekta försiktighetsåtgärder vidtas.
- När klingan nyps fast eller när en sågning avbryts oavsett anledning, släpper du av tryckaren och håller sågen orörlig i arbetsstycket tills klingan stannat helt. Försök inte ta bort sågen från arbetsstycket och dra inte tillbaka sågen medan klingan fortfarande snurrar, eftersom ett plötsligt kast då kan ske. Undersök och korriger felaktigheter för att förhindra att klingan nyper fast.
- När sågen startas igen centrerar du klingan i arbetsstyckets skåra och kontrollerar att sågtänderna inte sitter fast i stycket. Om sågklingan sitter fast kan det hända att den

kastas tillbaka från arbetsstycket då sågen startas igen.

- d) Ge stora arbetsstycken stöd för att minimera risken att klingan nyper fast eller kastas tillbaka. Stora arbetsstycken brukar bånga av sin egen vikt. Stöden måste placeras på båda sidor under arbetsstycket, i närheten av skärinjen och arbetsstyckets kant.
- e) Använd inte slitna eller skadade sågklingor. Oslipade eller felaktigt inställda klingor ger ett smalt sågsnitt som orsakar överdriven friktion, medför att klingan nyper fast och ger plötsliga kast.
- f) Spakarna för justering av skärdjup och nedslipning måste vara åtdragna innan sågning sker. Om justering av klingan sker under sågning, kan det göra så att klingan nyper fast och ge plötsliga kast.
- g) Var extra försiktig när du skär igenom befintliga väggar eller andra "blinda" ytor. Det kan hända att den framskjutande klingan skär i föremål som kan orsaka plötsliga kast.

Säkerhetsinstruktioner för nedre skyddsanordningen

- a) Kontrollera att det nedre skyddet stängs ordentligt varje gång maskinen skall användas. Använd inte sågen om det nedre skyddet inte rör sig fritt eller stängs direkt. Fäst eller bind inte fast det nedre skyddet i öppet läge. Om du skulle tappa sågen kan det nedre skyddet böjas. Hög det nedre skyddet med handtaget och se till att det rör sig fritt och inte vidrör klingan eller annan del av sågen, oavsett vinkel och djup.
- b) Kontrollera fjäderns funktion på det nedre skyddet. Om skyddet och fjädern inte fungerar korrekt måste de ses över innan sågen används. Det kan hända att det nedre skyddet är trögt på grund av skadade delar, gummiavlagring eller skräp.
- c) Det nedre skyddet skall endast dras bort manuellt vid specialsågningar, exempelvis "vinklad sågning" och "slipande sågning". Hög det nedre skyddet genom att dra tillbaka handtaget och släpp sedan det nedre skyddet när klingan kommer i kontakt med arbetsstycket. För all annan sågning skall det nedre skyddet manövreras automatiskt.
- d) Se alltid till att det nedre skyddet täcker klingan innan du placerar sågen på en bänk

eller på golvet. Om en snurrande klinga är oskyddad kan sågen vandra bakåt och skära av allt i sin väg. Var uppmärksam på att det tar tid för klingan att stanna efter att du släppt avtryckaren.

Innan du tar maskinen i drift

Kontrollera följande:

- *Stämmer motorns anslutningsspänning med nätspänningen*
- *Är elsladd och stickkontakt i bra skick*
- *Se efter så att sågklingan inte saknar några sågtänder eller har sprickor eller bucklor, för då skall den bytas ut direkt*
- *Kontrollera om sågklingan sitter fast ordentligt*
- *Använd inga sågklingor som är deformerade eller skadade.*
- Använd inga HSS-klingor.
- Använd bara sågklingor som uppfyller angivna dimensioner och beskrivningar. Använd inga sågklingor där stommen är bredare eller tandningen smalare än klyvkniven.
- Stanna aldrig sågklingan genom att utöva tryck sidledes på den.
- Kontrollera själv att den rörliga skyddskåpan kan röra sig fritt och att mekanismen som trycker tillbaka skyddskåpan till stängt läge fungerar väl.
- Blockera inte den rörliga skyddskåpan i öppet läge.
- Var försiktig vid sågning i arbetsstycken med knastar, spik, sprickor eller smutsbeläggning. Att såga sådant virke kan utgöra en risk för att sågen kör fast.
- Låt aldrig cirkelsågen stå obevakad om den går.
- Använd cirkelsågen bara till att såga virke.

Vid användningen av maskinen

- Arbetsstycket skall klämmas fast ordentligt.
- Trärester o.likn. som hamnar alldeles intill sågklingan får du inte ta bort med handen. Om trärester skulle bli klämda mellan fasta eller rörliga delar skall du stanna sågen och dra ut stickkontakten, innan du tar bort dem.
- Se till att du startar cirkelsågen obelastad (låt den alltså aldrig komma i kontakt med arbetsstycket innan den kopplas till).
- Cirkelsågen skall först nå sitt max varvtal.
- Såga inga arbetsstycken som är tjockare än

sågets djup.

- Var säker på när du sågar i väggar och golv att det inte har dragits några elkablar, vattenledningar eller andra rör där.
- Koppla först ifrån cirkelsågen och vänta tills den står stilla, innan du tar bort den från arbetsstycket eller lägger ned den.

Du skall stänga av maskinen direkt vid:

- Söndrig stickkontakt, elsladd eller elledning.
- Söndrig omkopplare.
- Överhettning av maskinen.
- Rök eller illaluktande rök från svedd isolering.

Elektrisk säkerhet

Vid användning av elektriska maskiner, iaktta alltid de säkerhetsföreskrifter som gäller lokalt i samband med brandfara, fara för elektriska stötar och kroppsskada. Läs förutom nedanstående instruktioner även igenom bladet med säkerhetsföreskrifter som bifogas separat. Förvara instruktionerna omsorgsfullt!



Kontrollera alltid om din nätspänning överensstämmer med värdet på typlattan.



Maskin klass II – dubbel isolering, jordad kontakt behövs ej.

Byta ut kablar eller stickkontakter

Om nätkabeln skadas, måste den bytas ut mot en speciell nätkabel som finns hos tillverkaren eller tillverkarens kundservice. Släng gamla kablar eller stickkontakter meddetsamma efter det att du har bytt ut dem mot nya. Det är farligt att sticka in stickkontakten av en lös sladd i ett uttag.

Vid användning av förlängnings kablar

Använd uteslutande en godkänd förlängningskabel som är lämplig för maskinens effekt. Ledarna måste ha en diameter på minst 1,5 mm². Om förlängningskabeln sitter på en haspel, rulla då ut den helt och hållet.

3. MONTERING OCH INSTALLERINGSFÖRESKRIFTER



Innan du ställer in sågen, skall du först kontrollera om stickkontakten är ute ur vägguttaget.

Montering av sågbladet (fas)

- Lossa båda knapparna (12).
- Roterar fotplattan till korrekt läge (0°-45°) och drag åt knapparna igen. Sågvinkeln (fas) kan avläsas på gradskivan (14).

Montering av klyvskyddet

- Skruva loss knappen (11).
- Sätt fast klyvskyddet i motsvarande springor.
- Ställ in korrekt skärbredd och drag åt knappen (11) igen.

Inställning av skärdjup

- Skruva loss knappen (3).
- Flytta fotplattan (7) nedåt.
- Drag åt ställknappen (3) igen när korrekt djup ställts in.

Byte eller rengöring av sågbladet



Använd enbart sågklingor som rekommenderas av tillverkaren och som överensstämmer med EN 847-1.

- Använd axelns spärrknapp (13) för att förhindra att axeln roterar.
- Lossa därefter sexkantsskraven (6) i mitten av sågbladet. Använd bifogad sexkantsnyckel.
- Vrid skyddet bakåt och håll det där med hjälp av knappen (15).
- Tag bort stoppringen och sågbladet och rengör sågbladet eller byt ut det mot ett nytt.
- Sätt tillbaka sågbladet på axeln.
- Sätt tillbaka skyddet över sågbladet genom att släppa knappen (15).
- Tryck in axelns spärrknapp (13) igen, montera tillbaka stoppringen (8) och drag åt sexkantsskraven (6) ordentligt igen.

4. BRUK



Användning av hörselskydd rekommenderas när man använder cirkelsågen.

Till-/Frånkoppling

- Tryck in knapp (16) med tummen i din högra hand och håll den intryckt.
- Tryck sen in knapp (2). Cirkelsågen rör nu på sig.
- Genom att släppa upp knapp (2) stannar cirkelsågen.

Att ta i drift

- Kläm fast arbetsstycket så att båda händerna är fria för att hålla fast cirkelsågen och styra den.
- Koppla till cirkelsågen och placera sågdelen på arbetsstycket.
- Flytta den långsamt efter i förväg inritad såglinje och skjut cirkelsågen långsamt framåt.
- Tryck sågdelen kraftigt mot arbetsstycket.



Låt cirkelsågen göra jobbet! Tryck därför inte alltför hårt mot cirkelsågen.

5. UNDERHÅLL



Tillse att maskinen inte är spänningsförande när underhållsarbeten utförs på de mekaniska delarna.

Maskiner har konstruerats för att under lång tid fungera problemfritt med ett minimalt underhåll. Genom att regelbundet rengöra maskinen och hantera den på rätt sätt bidrar du till en lång livslängd för din maskin.

Avbrott

Om inte bandsågen fungerar som du vill, följer nedan ett antal möjliga orsaker med dithörande åtgärder.

1. Elektromotorn blir överhettad.

- Motorn överbelastas genom för stora arbetsstycken.
 - *Såga med ett lägre tempo och ge motorn tillfälle att svalna.*
- Motorn är defekt.
 - *Kontakta servicestället som anges på garantibeviset.*

2. Tillkopplad maskin går inte.

- Det finns ett avbrott i nätanslutningen.
 - *Kontrollera om det finns brott i nätanslutningen.*
- Omkopplaren har gått sönder.
 - *Kontakta servicestället som anges på garantibeviset.*

3. Arbetsstycket går mycket svårt i en rakinje utmed sågklingan och sågsnittet är ojämnt.

- Sågklingan är buktig eller oskarp.
 - *Byt ut sågklingan.*

4. Cirkelsågen alstrar oljud och/eller går ojämnt.

- Kolborstarna är slitna.
 - *Kontakta servicestället som anges på garantibeviset.*

Rengöring

Rengör maskinhöljet regelbundet med en mjuk duk, företrädesvis efter varje användning. Tillse att ventilationsspringorna är fria från damm och smuts. Använd en mjuk duk fuktad med tvålatten vid svår smuts. Använd inga lösningsmedel som bensin, alkohol, ammoniak etc. Sådana ämnen skadar plastdelarna.

Byte av karbonborstarna

Fig. F

- Avlägsna skruvarna (17).
- Avlägsna karbonborstarna (18) från den runda handsågen och syna dem på slitage.
- Sätt tillbaka karbonborstarna i bifogade borsthållare.
- Kontrollera att kopparkontakten på karbonborstarna har bra kontakt med koppardelen i borsthållaren.
- Sätt tillbaka skruvarna (17) och drag åt dem ordentligt.



Är kolborstarna kortare än 4 mm skall de bytas ut mot nya.

Smörjning

Maskinen behöver ingen extra smörjning.

Fel

Kontakta servicestället som anges på garantibeviset om ett fel uppstår, t.ex. på grund av en del som är nedsliten. I slutet av den här bruksanvisningen finns en sprängskiss över de delar som kan beställas.

MILJÖ

För att undvika transportskador levereras maskinen i en så stadig förpackning som möjligt. Förpackningen har så långt det är möjligt tillverkats av återvinningsbart material. Ta därför tillvara möjligheten att återvinna förpackningen.



Skadade och/eller kasserade elektriska och elektroniska apparater ska lämnas in enligt gällande miljöregler.

GARANTI

Garantivillkoren framgår av det separat bifogade garantikortet.

PYÖRÖSAHA

Kiitos, että ostit tämän Ferm-tuotteen.

Niin tekemällä sinulla on nyt oivallinen tuote, jonka on toimittanut eräs Euroopan johtavista toimittajista.

Kaikki tuotteet, jotka Ferm on sinulle toimittanut, on valmistettu korkeimpien suorituskyky- ja turvallisuusnormien mukaan, ja osana filosofiaamme on järjestää oivallista asiakaspalvelua, johon kuuluu täydellinen takuamme.

Toivomme, että nautit tämän tuotteen käyttämisestä monia tulevia vuosia.

Seuraavan tekstin numerot vastaavat sivulla 2 olevien kuvien numeroita.



Oman turvallisuutesi ja lähistöllä olevien henkilöiden turvallisuuden takia lue nämä ohjeet huolellisesti, ennen kuin ryhdyt käyttämään laitetta. Ohjeiden avulla ymmärrät laitteen toiminnan paremmin ja osaat välttää tarpeettomia riskejä. Pane ohjekirja huolellisesti talteen vastaisen varalle.

Sisällys

1. Laitetiedot
2. Turvaohjeet
3. Osien asennus / Huolto
4. Käyttö
5. Huolto

1. LAITETIEDOT

Tekniset tiedot

Jännite	220-240 V
Taajuus	50 Hz
Kulutettu teho	1050 W
Kierrosnopeus, kuormittamaton	4900/min.
Terä kapasiteetti	Ø185*20*2.4mm Ø190*30*2.4mm
Maks. sahausvyvyys 90°	68 mm
Maks. sahausvyvyys 45°	46 mm
IP-luokka	IP 20
Paino	4.19 kg
Lpa (äänenpainetaso)	88+3 dB(A)
Lwa (äänentehotaso)	99+3 dB(A)
Värähtelyarvo	2+1,5 m/s ²

Tärinätaso

Tämän ohjekirjan takana mainittu tärinäsaiteilytaso on mitattu standardin EN 62841 mukaisen standarditestin mukaisesti; sitä voidaan käyttää verrattaessa yhtä laitetta toiseen sekä alustavana tärinälle altistumisen arviona käytettäessä laitetta manituissa käyttötarkoituksissa

- laitteen käyttö eri käyttötarkoituksiin tai erilaisten tai huonosti ylläpidettyjen lisälaitteiden kanssa voi lisätä merkittävästi altistumistasoa
- laitteen ollessa sammuksissa tai kun se on käynnissä, mutta sillä ei tehdä työtä, altistumistaso voi olla huomattavasti pienempi

Suojaudu tärinän vaikutuksilta ylläpitämällä laite ja sen lisävarusteet, pitämällä kädet lämpiminä ja järjestämällä työmenetelmät

Tuotteen tiedot

Kuva A

1. Kahva
2. Virtakatkaisin
3. Leikkuvyvyden lukitusnappi
4. Virtajohto
5. Sahanterän suoja
6. Kuusioruuvi
7. Levy
8. Pidätysrengas
9. Sahanterä
10. Työstöaita
11. Työstöaidan lukitusnappi
12. Sahauskulman lukitusnappi
13. Akselin lukitusnappi
14. Astelevy
15. Nuppi
16. Turvakytin
17. Hiiliharjaruuvi
18. Hiiliharja

Pakkauksen sisältö

- 1 Pyörösaaha
- 1 Työstöaita
- 1 Kuusiokoloavain

Tarkista, että, irto-osat ja värusteet eivät ole vaurioituneet kuljetuksen aikana.

2. TURVAOHJEET

Symbolien selitys



Osoittaa loukkaantumisvaaran, hengenvaaran tai työkalun vaurioitumisriskin, jos tämän oppaan ohjeita ei noudateta.



Osoittaa sähköiskuvaaran.



Älä päästä ulkopuolisia lähelle laitetta.



Käytä suojalaseja ja kuulonsuojaimia.



Använd en skyddsmask mot damm. När du arbetar med trä, metall eller andra material, kan damm bildas som är skadlig för hälsan. Arbeta ej med material

Vaara

- Pidä kätesi poissa leikkualueelta ja terästä. Pidä toinen kätesi apukahvalla tai moottorikotelolla. Jos molemmat kädet pitävät kiinni pyörösahan kahvoista, terä ei voi osua niihin vahingossa.
- Älä kurkota työkappaleen alle. Suojus ei voi suojata sinua terältä työkappaleen alapuolella.
- Sääädä sahaussyvyys työkappaleen paksuuden mukaan. Vähemmän kuin kokonainen terähammas tulisi olla näkyvissä työkappaleen alapuolella.
- Älä koskaan pidä sahattavaa kappaletta käsissäsi tai jalkojesi päällä. Kiinnitä työkappale tukevaan tasoon. On tärkeätä tukea työ kunnolla ruumiinosien vaarantumisen, terän juuttumisen tai hallinnan menettämisen minimoimiseksi.
- Tartu sähkötyökaluun eristetyistä otepinnoista, kun suoritat työtä, jossa sahatyökalu saattaa olla kosketuksissa piilossa oleviin johtoihin tai omaan johtoonsa. Kontakti varattuun johtoon saattaa varata myös sähkötyökalun paljaat metallipinnat ja aiheuttaa sähköiskun käyttäjälle.
- Työstettäessä käytä aina työstöaitaa tai oikolautaa ohjaimena. Tämä parantaa sahauksen tarkuutta ja vähentää terän juuttumisen mahdollisuutta.

- Käytä aina teriä, joissa on oikean kokoiset ja muotoiset kiinnitysreiat (vinoneliö tai pyöreä). Terät, jotka eivät vastaa sahan kiinnitysosia, toimivat epäkeskisesti, aiheuttaen hallinnan menetyksen.
- Älä koskaan käytä vaurioituneita tai vääriä terän välirenkaita tai pulttia. Terän välirenkaat ja pultti on erityisesti suunniteltu sahaasi varten parhaan mahdollisen toiminnan ja käyttöturvallisuuden takaamiseksi.

Takaiskun syyt ja käyttäjän toimet sen estämiseksi

- Takaisku on äkillinen reaktio puristuneeseen, juuttuneeseen tai vääriin kohdistettuun sahanterään, jolloin hallitsematon saha nousee ylös ja ulos työkappaleesta kohti käyttäjää;
- Kun terä on puristuksissa tai kiinnittyy tiukasti uran sulkeutuessa, terä pysähtyy ja moottorin reaktio työntää yksikön äkillisesti takaisin kohti käyttäjää;
- Jos terä vääntyy tai kohdistuu vääriin sahausseissa, terän takareunan hampaat saattavat leikkautua kiinni puun yläpintaan, aiheuttaen terän kiipeämisen ulos urasta ja hyppäämisen takaisin kohti käyttäjää.

Takaisku aiheutuu sahan väärinkäytöstä ja/tai väärästä käyttömenetelmästä tai –olosuhteista, ja se voidaan välttää noudattamalla allamainittuja oikeita varotoimia.

- Pidä saha tukevassa otteessa molemmin käsin ja aseta käsivartesi vastustamaan takaiskun voimaa. Sijoi ta vartalosi terän jommalle kummalle sivulle mutta ei linjaan terän kanssa. Takaisku saattaa saada terän hyppäämään taaksepäin mutta käyttäjä voi hallita takaiskun voimaa, mikäli oikeita varotoimia noudatetaan.
- Kun terä juuttuu tai kun keskeytät sahaamisen mistä syystä tahansa, päästä liipaisimesta ja pidä sahaa liikkumatta materiaalisissa, kunnes terä pysähtyy kokonaan. Älä koskaan yritä poistaa sahaa työstä tai vedä sahaa taaksepäin kun terä on liikkeessä tai takaisku saattaa tapahtua. Selvitä terän juuttumisen syy ja ryhdy korjaaviin toimiin estääksesi sen.
- Kun käynnistät sahan uudelleen työkappaleessa, keskitä sahanterä urassa ja tarkista, että terän hampaat eivät ole kiinni materiaalisissa. Jos terä on juuttunut, se saattaa

liikkua tai iskeä takaisin työkappaleesta, kun saha käynnistetään uudelleen.

- d) Tue suuret levyt minimoidaksesi terän puristumisen ja takaiskut. Suuret levyt saattavat painua oman painonsa alla. Tukia tulee asettaa levyn alle molemmin puolin, lähellä sahauslinjaa ja lähelle levyn reunaa.
- e) Älä käytä tylsiä tai vaurioituneita teriä. Teroittamattomat tai väärin teroitettut terät tuottavat kapean uran, joka aiheuttaa liiallista kitkaa, terän juuttumista ja takaiskuja.
- f) Terän syvyyden ja viisteen säädön lukitsimien tulee olla tiukkoja ja lukossa ennen sahaamisen aloittamista. Terän säätöjen muuttaminen sahaamisen aikana saattaa aiheuttaa juuttumista ja takaiskuja.
- g) Noudata erityistä varovaisuutta kun teet "työntösahauksen" olemassaolevaan seinään tai muihin sokkoalueisiin. Esiintyntyvä terä saattaa leikata esineitä, jotka voivat aiheuttaa takaiskun.

Turvaohjeet, alasuojus

- a) Tarkista alasuojuksen oikea sulkeutuminen ennen jokaista käyttöä. Älä käytä sahaa, mikäli alasuojus ei liiku vapaasti ja sulkeudu välittömästi. Älä koskaan purista tai sido alasuojusta auki-asentoon. Jos saha putoaa vahingossa, alasuojus saattaa väntyä. Nosta alasuojus sisään vedettävän kahvan avulla ja varmista, että se liikkuu vapaasti eikä kosketa terää tai muita osia kaikissa sahauskulmissa ja -syvyyksissä.
- b) Tarkista alasuojuksen jousen toimivuus. Jos suojus ja jousi eivät toimi kunnolla, ne tulee huoltaa ennen käyttöä. Alasuojus saattaa toimia hitaasti voittuneiden osien, tahmeiden jäämien tai kerääntyneiden roskien vuoksi.
- c) Alasuojus tulee vetää alas manuaalisesti ainoastaan erikoissahausta, kuten "työntösahausta" ja "yhdistelmäsausta" varten." Nosta alasuojus vetämällä kahvasta ja heti kun terä leikkaa materiaaliin, alasuojus tulee päästää alas. Kaikissa muissa sahauskuissa alasuojuksen pitäisi toimia automaattisesti.
- d) Varmista aina, että alasuojus peittää terän, ennenkuin lasket sahan alas penkille tai lattialle. Suojaamaton, vapaasti pyörivä terä saa sahan liikkumaan taaksepäin, leikaten kaikkea sen tielle osuvaa. Ole tietoinen ajasta, jonka terän kestää pysähtyä kun se on kytketty pois päältä.

Ennen pyörösahan käyttöönottoa

Kiinnitä huomiota seuraaviin asioihin.

- Tarkista, sopivatko moottorin ja verkon jännite yhtein.
- Tarkista, että johto ja pistoke ovat hyvässä kunnossa.
- Tarkista, että terässä ei ole halkeamia ja että terästä ei puutu hampaita. Vialliset terät on vaihdettava välittömästi.
- Tarkista terän kiinnitys.
- Älä käytä epämuodostuneita tai vioittuneita teriä.
- Älä käytä HSS-teriä.
- Käytä vain teriä, jotka mitoitetaan ja ominaisuuksiltaan vastaavat tässä ilmoitettuja arvoja. Älä käytä terää, jonka paksuus ylittää rakoveitsen paksuuden, tai jonka hammastus on rakoveistä kapeampi.
- Älä koskaan pysäytä pyörivää terää työntämällä sitä sivusuunnassa jotakin vasten.
- Varmista, että teräsuojus ei ole jumiutunut. Tarkista myös, palaako suojus suljettuun asentoon.
- Älä lukitse liikkuvaa suojusta siten, että se jää auki.
- Varo puuta sahatessasi oksia, nauvoja, halkeamia ja/tai likaa. Terä voi jumiutua niihin.
- Älä koskaan jätä pyörösahaa ilman valvontaa.
- Käytä pyörösahaa vain puun sahaamiseen.

Koneen käytön aikana

- Kiinnitä sahattava puukappale tukevasti kiinni.
- Älä poista lastuja tms. käsin terän läheltä. Jos koneen kiinteisiin ja/tai liikkuviin osiin on jumiutunut lastuja, kone on ensin sammutettava ja pistoke vedettävä pistorasiasta ennen lastujen poistamista.
- Anna sahalle aikaa saavuttaa huippukieroksensa, ennen kuin aloitat sahaamisen.
- Älä yritä sahata puuta, jonka paksuus ylittää sahausyvyyyden.
- Varo sähkö- tai vesijohtoja, jos sahaat seinää tai lattiaa.
- Sammuta kone sahausksen jälkeen ja odota kunnes terä on pysähtynyt, ennen kuin kosket sahattuun kappaleeseen ja ennen kuin asetat koneen pöydälle tai maahan.

Pysäytä kone välittömästi jos:

- Pistoke tai johto on viallinen.
- Kytkin on viallinen.
- Kone on ylikuumentunut.
- Savua tai käryä erittyä.

Sähköturvallisuus

Sähkölaitteita käytettäessä on aina noudatettava paikallisia turvamääräyksiä tulipalon, sähköiskujen ja loukkaantumisten välttämiseksi. Lue alla olevat ohjeet ja erilliset turvaohjeet huolellisesti. Säilytä nämä ohjeet!



Tarkista aina, ovatko verkkojännitte ja koneen tyyppikilvessä ilmoitettu jännitte yhteen sopivia.



Luokan II kone – kaksoiseristetty – maadoitettua pistorasiaa ei tarvita.

Johtojen ja pistotulppien vaihtaminen

Jos verkkojohto vahingoittuu, se on vaihdettava. Uusia, oikeanlaisia johtoja saa valmistajalta tai sen huoltopalvelusta. Hävitä vanhat johdot ja pistotulpat heti kun ne on vaihdettu uusiin. Irrallisen pistotulpan tai johdon kytkeminen pistorasiaan on vaarallista.

Jatkojohtojen käyttö

Käytä vain virallisesti hyväksytyjä jatkojohtoja koneen teho huomioon ottaen. Johdon ytimien on oltava vähintään 1,5 mm². Käytettäessä johtokelaa koko jatkojohto on vedettävä kelalta.

3. OSIEN ASENNUS / HUOLTO



Irrota pistoke rasiasta, ennen kuin säädät konetta.

Sahauskulman (jiiri) asettaminen

- Kierrä molemmat nupit (12) auki.
- Kierrä levy oikeaan kulmaan (0° - 45°) ja kiristä nupit. Sahauskulma (jiiri) voidaan lukea astelevystä (14).

Työstöaidan asentaminen

- Löysennä nuppi (11).
- Aseta työstöaita reikiin.
- Aseta leikkuuleveys oikeaksi ja kiristä nuppi (11).

Sahaussyvyyden asettaminen

- Löysennä nuppi (3).
- Siirrä levyä (7) alaspäin.
- Kiristä lukitusnuppi (3) uudelleen, kun oikea syvyys on asetettu.

Sahanterän vaihtaminen tai puhdistaminen



Käytä vain valmistajan suosittelemia sahanteriä, jotka ovat normin EN 847-1 mukaisia.

- Käytä akselin lukitusnuppia (13), ettei akseli pääse pyörimään.
- Löysennä seuraavaksi sahanterän keskellä oleva kuusiokoloruuvi (6) käyttämällä mukana tulevaa kuusiokoloavainta.
- Käännä suojuus taakse ja pidä se siinä nupin (15) avulla.
- Vedä pidätysrengasta ja sahanterää. Puhdista sahanterä tai vaihda se uuteen.
- Asenna sahanterä takaisin akselille.
- Päästä suojuus takaisin sahanterän päälle vapauttamalla nuppi (15).
- Paina akselin lukitusnuppi (13) takaisin sisään. Asenna pidätysrengas (8) takaisin ja kiristä kuusioruuvi (6) kunnolla.

4. KÄYTTÖ



Suosittelemme kuulosuojainten käyttöä pyörösahaa käytettäessä.

Käynnistys/Pysäytys

- Paina painiketta (16) oikean käden peukalolla, ja pidä se alas painettuna.
- Paina painiketta (2). Pyörösaha käynnistyy.
- Saha pysähtyy laskemalla painike (2) irti.

Käyttöönotto

- Kiinnitä sahattava puukappale, jotta voit käyttää molempia käsiä pyörösahan pitelemiseen ja ohjaamiseen.
- Käynnistä saha ja aseta sen pohja työstettävää puuta vasten.
- Työnnä saha hitaasti piirrettyä linjaa pitkin.
- Paina sahaa lujasti työstettävää puuta vasten.



Anna pyörösahan itse tehdä työ! Älä työnnä sitä suurella voimalla.

5. HUOLTO



Irrota aina kone virtalähteestä ennen huollon aloittamista.

Koneet on suunniteltu toimimaan pitkään ja mahdollisimman pienellä huoltotarpeella. Puhdistamalla ja käyttämällä sitä oikealla tavalla voit itsekin vaikuttaa koneen käyttöikään.

Häiriöt

Pyörösahan toimintahäiriöt ja niiden mahdolliset syyt sekä korjaukset.

1. Sähkömoottori kuumenee liikaa.

- Moottori ylikuormittuu, koska sahataan liian suuria kappaleita.
 - Sahaa hitaammin ja anna moottorin jäähtyä.*
- Moottori on viallinen.
 - Ota yhteys takuukortin huoltopisteeseen.*

2. Kone ei toimi, vaikka se on päällä.

- Virransyöttö on keskeytynyt.
 - Tarkista johto ja pistoke.*
- Kytkin on viallinen.
 - Ota yhteys takuukortin huoltopisteeseen.*

3. Sahaa on vaikea ohjata suoraan ja sahausen jälki on epätasainen.

- Sahan terä on tylsä tai vääntynyt.
 - Vaihda terä.*

4. Pyörösaha pitää kovaa melua ja/tai käy epätasaisesti,

- Hiiliharjat ovat kuluneet.
 - Ota yhteys takuukortin huoltopisteeseen.*

Puhdistaminen

Puhdista koneen ulkopinta säännöllisesti pehmeällä kankaalla. Parasta olisi puhdistaa se jokaisen käyttökerran jälkeen. Pidä koneen jäähdytysaukot puhtaina. Jos lika on pinttynyt, voit käyttää saippuavedellä kostutettua kangaspalaa. Älä kuitenkaan käytä liuottimia kuten bensiniä, alkoholia, ammoniakkaa jne, koska ne vahingoittavat koneen muoviosia.

Hiiliharjojen vaihto

Kuva F

- Irrota ruuvit (17).
- Vedä hiiliharjat (18) ulos pyörösahasta ja tarkista ne kulumisen varalta.
- Asenna hiiliharjat takaisin harjapidikkeisiin.
- Tarkista, että hiiliharjojen kuparikontakti ottaa kunnolla kiinni harjanpidikkeen kupariosaan.
- Asenna ruuvit (17) takaisin kiristä ne kunnolla.



Jos harjat ovat kuluneet alle 4 mm:n pituuteen, ne on vaihdettava.

Voitelu

Konetta ei tarvitse voidella.

Viat

Jos kone vikaantuu esimerkiksi osan kulumisen johdosta, ota yhteys takuukortin huoltopisteeseen. Tämän käyttöoppaan takasivulla on hajotuskuva, jossa on lueteltu tilattavissa olevat osat.

YMPÄRISTÖ

Kuljetusvaurioiden välttämiseksi kone on pakattu tukevaan laatikkoon. Tämä pakkaus on mahdollisimman ympäristöystävällinen. Kierrätä se.



Vioittuneet tai käytöstä poistettavat sähkölaitteet on toimitettava asianmukaiseen kierrätyspisteeseen.

TAKUU

Lue takuuehdot koneen mukaan liitetystä takuukortista.

SIRKELSAG

Tusen takk for at du valgte dette Ferm-produktet.

Det betyr at du nå har anskaffet et fremragende produkt, levert av en av Europas ledende distributører.

Alle produkter fra Ferm er framstilt i samsvar med de strengeste standarder når det gjelder ytelse og sikkerhet. En del av vår filosofi er også å yte fortreffelig kundeservice, som i tillegg støttes av vår omfattende garanti.

Vi håper du vil ha glede av dette produktet i mange år framover.

Tallene i følgende tekst viser til bildene på side 2



Les denne bruksanvisningen nøye før maskinen tas i bruk. Sørg for å vite hvordan maskinen virker og hvordan den skal betjenes. Vedlikehold maskinen i henhold til instruksene, slik at den alltid virker som den skal. Oppbevar denne bruksanvisningen og den vedlagte dokumentasjonen ved maskinen.

Innhold

1. Tekniske spesifikasjoner
2. Sikkerhetsforskrifter
3. Montering / innstillingsforskrifter
4. Bruk
5. Vedlikehold

1. TEKNISKE SPESIFIKASJONER

Maskindata

Spenning	220-240 V
Frekvens	50 Hz
Opptatt effekt	1050 W
Turtall, ubelastet	4900/min.
Sagblad	Ø185*20*2.4mm Ø190*30*2.4mm
Maksimal sagedybde 90°	68 mm
Maksimal sagedybde 45°	46 mm
IP Klasse	IP 20
Vekt	4.19 kg
Lpa (lydtrykk)	88+3 dB(A)
Lwa (lydeffekt)	99+3 dB(A)
Vibrasjonsverdi	2+1,5 m/s ²

Vibrasjonsnivå

Det avgitte vibrasjonsnivået som er angitt bak i denne bruksanvisningen er blitt målt i samsvar med en standardisert test som er angitt i EN 62841; den kan brukes til å sammenligne et verktøy med et annet, og som et foreløpig overslag over eksponering for vibrasjoner ved bruk av verktøyet til de oppgavene som er nevnt

- bruk av verktøyet til andre oppgaver, eller med annet eller mangelfullt vedlikeholdt utstyr, kan gi en vesentlig økning av eksponeringsnivået
- tidsrommene når verktøyet er avslått eller når det går men ikke arbeider, kan gi en vesentlig reduksjon av eksponeringsnivået

Beskytt deg selv mot virkningene av vibrasjoner ved å vedlikeholde verktøyet og utstyret, holde hendene varme og organisere arbeidsmåten din

Produktinformasjon

Fig. A

1. Håndtak
2. På/av-bryter
3. Klemmeknapp for sagdybde
4. Strømledning
5. Sagbladvern
6. Sekskantskruer
7. Fundamentplate
8. Låsering
9. Sagblad
10. Parallellanlegg
11. Klemmeknapp for parallellanlegg
12. Klemmeknapp for sagvinkel
13. Låseknapp for aksel
14. Vinkelmåler
15. Knapp
16. Sikkerhetsbryter
17. Kullbørste skrue
18. Kullbørste

Pakkens innhold

- 1 Sirkelsag
- 1 Parallellanlegg
- 1 Sekskantnøkkel

Kontroller at maskinen, løse deler og tilbehør ikke har fått transportskader.

2. SIKKERHETSFORSKRIFTER

Symbolforklaring



Angir fare for personskade, livsfare eller skade på maskinen hvis instruksjonene i denne bruksanvisningen ikke følges.



Fare for elektrisk støt.



Hold andre personer på avstand



Bruk vernebriller og hørselsvern



Bruk støvmaske. Arbeid med tre, metaller og andre materialer kan det oppstå helsefarlig støv. Ikke arbeid med materialer som inneholder asbest!

Fare

- Hold hendene vekke fra skjæreområdet og sagbladet. Hold din andre hånd på hjelpehåndtaket, eller motorkassen. Hvis du holder sagen med begge hender, kan du ikke skjære deg.
- Ikke ta under arbeidsemnet. Vernet kan ikke beskytte deg mot sagbladet under arbeidsemnet.
- Tilpass kuttedybden etter arbeidsemnets tykkelse. Ikke mere enn en av sagbladets tenner skal være synlig under arbeidsemnet.
- Hold aldri stykket som kuttes i hendene eller over beina. Sikre arbeidsemnet på en stabil plattform. Det er viktig å støtte arbeidsemnet godt, slik at en verner kroppen, sikrer at sagbladet ikke sitter fast, eller at en mister kontrollen.
- Hold det elektriske verktøyet i isolerte håndtak når du arbeider på steder hvor sirkelsagen kan komme borti gjemte ledninger ellers dens egen ledning. Kontakt med en strømførende ledning vil også gjøre utsatte metalldele av elektroverktøyet strømførende, og gi brukeren støt.
- Når du sager, skal du bruke et gjerde eller en presisjonslinjal. Dette gir bedre nøyaktighet og mindre risiko for at sagbladet sitter fast.

- Bruk alltid sagblad i korrekt størrelse og form (diamant eller rund) med akselhull. Blad som ikke passer til sagens monteringsmaskinvarer, vil ikke virke riktig, og føre til tap av kontroll.
- Bruk aldri skadde eller feile bladskiver eller bolter. Bladskivene og boltene er spesielt designet til denne sagen, for best mulig ytelse og brukssikkerhet.

Årsaker til Kickback og hvordan det kan forhindres

- Kickback er en plutselig reaksjon hos et fastklemt, bundet eller dårlig utlignet sagblad, noe som får en ukontrollert sag til å løftes opp og ut av arbeidsemnet mot brukeren.
- Hvis bladet sitter fastklemt eller er bundet fast i hakket, stanser bladet, og motorreaksjonen går hurtig tilbake mot brukeren.
- Hvis bladet blir bøyd eller skjevt i kuttet, kan det føre til at tennene på bakre del av sagbladet graver seg inn i øvre overflate på planken, noe som får bladet til å hoppe ut av hakket og mot brukeren.

Kickback kommer av feil bruk av sagen og /eller feile prosedyrer, forhold , og kan unngås hvis en tar de riktige forholdsregler som står nedenfor.

- Hold et fast grep med begge hender på sagen, og plasser armene slik at du kan motstå tilbakslag. Still deg med kroppen på begge sider av bladet, men ikke på linje med bladet. Kickback kan forårsake sagen til å hoppe bakover, men kickback kan kontrolleres av brukeren, hvis en tar de rette forbehold.
- Hvis bladet sitter fast, eller blir avbrutt av en eller annen grunn, utløs triggeren og hold sagen i ro i materialet til bladet stopper helt. Prøv aldri å fjerne sagen fra arbeidet eller å trekke sagen bakover mens bladet er i bevegelse, ellers kan det oppstå kickback. Gjør undersøkelser og utfør forbedringer for å eliminere årsaken til at bladet setter seg fast.
- Når en starter en sag på nytt i arbeidsemnet, skal sagbladet sentreres i hakket ,og en må kontrollere at tennene ikke sitter fast i materialet. Hvis sagbladet sitter fast, kan det hoppe ut, eller det kan oppstå kickback når sagen startes på nytt.
- Støtt lange planker for å minske risikoen for at bladet sitter fast eller kickback. Store planker

har en tendens til å synke ned på grunn av egenvekten. En må plassere støtte på begge sider av planken, nær kuttekanten og nær enden på planken.

- e) Ikke bruk sløve eller skadde blader. Usleپne sagblad eller blad som ikke er satt riktig i, skaper et smalt hakk som forårsaker ekstra friksjon, bladbinding eller kickback.
- f) Spakene som tilpasser bladdybden og skrårskjæring må være stramt og sikkert før en sager. Hvis sagbladsinnstillingen endres når en sager, kan det forårsake at bladet sitter fast og kickback.
- g) Vær ekstra forsiktig når du dybdesliper i eksisterende vegger eller andre blindområder. Sagbladet kan sage over ting som kan forårsake kickback.

Sikkerhetsinstruksjoner nedre bladbeskytter

- a) Kontroller at den nedre bladbeskytteren lukker skikkelig før bruk. Ikke bruk sagen hvis den nedre beskytteren ikke kan beveges fritt og lukker med en gang. Press eller bind aldri den nedre bladbeskytteren inn i åpen stilling. Hvis sagen mistes ved et uhell, kan den nedre beskytteren bli bøyd. Hev den nedre beskytteren med inntrekkshåndtaket og vær sikker på at det kan beveges fritt og ikke berører sagbladet eller noen andre deler, i all hakkets vinkler og dybde.
- b) Kontroller at den nedre beskytterens fjær virker. Hvis bladbeskytteren og fjæren ikke virker skikkelig, må de repareres før bruk. Den nedre beskytteren kan virke dårlig pga ødelagte deler, klebrige rester eller støv.
- c) Den nedre bladbeskytteren skal trekkes inn manuelt ved spesielle kutt som dybdesliping og compounderende kutt. Løft den nedre bladbeskytteren ved å trekke inn håndtaket så snart bladet når materialet, den nedre beskytteren må utløses. Ved all annen type saging, skal bladbeskytteren virke automatisk.
- d) Se alltid til at den nedre beskytteren dekker sagbladet før du setter sagen på benken eller gulvet. Et ubeskyttet, sagblad som går på tomgang, vil forårsake sagen til å gå bakover og sage i det den kommer over. Vær klar over at det tar tid før bladet stopper etter at du har slått av maskinen .

Før sirkelsagen tas i bruk

Kontroller følgende:

- *Stemmer motorens tilkoplingsspenning overens med nettspenningen.*
- *Er nettkabelen og støpselet i god stand.*
- *Se til at sagbladet ikke mangler noen tenner eller har fått sprekker eller revner. Et slikt sagblad må byttes ut umiddelbart.*
- *Se til at sagbladet er godt festet.*
- *Ikke bruk sagblader som er deformert eller har fått skader.*
- *Ikke bruk HSS-blader.*
- Bruk bare sagblader med de dimensjoner som er oppgitt og som stemmer overens med den beskrivelsen som er gitt. Bruk ikke sagblader der kroppen er bredere enn eller tanneggen smalere enn spaltekniven.
- Stopp aldri sagbladet ved å presse mot det fra siden.
- Forsikre deg om at det bevegelige vernedekselet kan bevege seg fritt.
- Forsikre deg om at mekanismen for å presse vernedekselet tilbake til lukket posisjon virker som den skal.
- Blokker aldri det bevegelige vernedekselet i åpen posisjon.
- Pass opp for kvister, spikre, sprekker og skittansamlinger når du sager i tre. Saging i slikt tre kan medføre fare ved at sagbladet setter seg fast.
- Ikke etterlat sirkelsagen ubevoktet.
- Bruk bare maskinen til saging i tre.

Når sirkelsagen er i bruk

- Arbeidsstykket må være godt festet.
- Trerester og lignende, som ligger i sirkelsagens umiddelbare nærhet, må ikke fjernes med hendene. Dersom trerester sitter fastklemt mellom faste og/eller bevegelige deler, må maskinen slås av og støpselet trekkes ut av stikk-kontakten før trerestene fjernes.
- Sørg for at sirkelsagen ikke belastes når den slås på. La altså ikke sirkelsagen komme i berøring med arbeidsstykket når den koples til. Sirkelsagen må først ha nådd sitt maksimale turtall.
- Ikke sag i arbeidsstykker som er tykkere enn den innstilte kuttedybden.
- Når du sager i vegger eller gulv, må du forsikre deg om at det ikke finnes elektriske kabler eller rør for vann eller gass der du sager.

- Slå først av sirkelsagen og vent til sagbladet har stanset helt før du fjerner sirkelsagen fra arbeidsstykket og legger fra deg maskinen.

Slå øyeblikkelig av maskinen ved:

- Feil på støpselet, nettkabelen eller ødelagte ledninger.
- Defekt bryter.
- Overoppheting av maskinen.
- Røyk eller lukt av svidd isoleringsmaterieil.

Elektrisk sikkerhet

Overhold ved bruk av elektriske maskiner alltid de lokale sikkerhetsforskriftene. Dette for å unngå brannfare, fare for elektrisk støt og personskaade. Les i tillegg til nedenstående instruksjer også sikkerhetsforskriftene i det vedlagte separate sikkerhetsheftet. Ta godt vare på instruksene!



Kontroller alltid om nettspenningen er i overensstemmelse med verdien på typeskiltet.



Class II-maskin – Dobbelisolert – Krever ikke jordat støpsel.

Skifting av ledninger eller støpsler

Hvis ledningen er skadet, må den erstattes med en spesiell ledning som leveres av fabrikanten eller fabrikantens kundeservice. Kast gamle ledninger eller støpsler med det samme de er skiftet ut med nye. Det er farlig å sette et støpsel med løs ledning i stikkkontakten.

Bruk av skjøteledninger

Bruk utelukkende en godkjent skjøteledning som er egnet til maskinens effekt. Ledningene må ha et tverrsnitt på minst 1,5 mm². Hvis skjøteledningen sitter på en rull, må den rulles helt ut.

3. MONTERING / INNSTILLINGS-FORSKRIFTER



Før du begynner med innstillinger på saken må du kontrollere om støpselet er trukket ut av stikk-kontakten.

Stille inn sagvinkelen (fas)

- Løsne begge knappene (12).
- Vri fundamentplaten til riktig stilling (0° - 45°), og stram knappene igjen. Sagvinkelen (fasen) kan avleses på vinkelmåleren (14).

Montere parallellanlegg

- Løsne knappen (11).
- Sett parallellanlegget inn i sporene.
- Still inn riktig kappebredde og stram knappen (11) igjen.

Stille innsagdybden

- Løsne knappen (3).
- Flytt fundamentplaten (7) nedover.
- Stram klemmeknappen (3) så snart riktig dybde er innstilt.

Skifte eller rengjøre sagbladet



Bruk bare sagblader som anbefales av produsenten og som er i samsvar med EN 847-1.

- Bruk låseknappen (13) for akselen for å hindre akselen i å rotere.
- Løsne så sekskantskruen (6) i sentrum av sagbladet ved hjelp av den medfølgende sekskantnøkkelen.
- Vend vernet bakover og hold det der ved hjelp av knappen (15).
- Trekk tilbake låseringen og sagbladet, og rengjør sagbladet, eller skift det ut med et nytt.
- Sett sagbladet tilbake på akselen.
- Løsne knappen (15), så vernet kan gå tilbake over sagbladet.
- Trykk låseknappen (13) for akselen inn igjen, monter låseringen (8) igjen, og stram sekskantskruen (6) godt til igjen.

4. BRUK



Det bør brukes hørselsvern når sirkelsagen brukes.

Slå På/Av

- Trykk inn knappen (16) med høyre hånds tommel og hold den inne.
- Trykk deretter inn knappen (2). Sirkelsagen vil nå starte.
- Ved å slippe knappen (2) stopper sirkelsagen.

Når maskinen tas i bruk

- Klem fast arbeidsstykket slik at du har begge hender fri til å holde fast og betjene sirkelsagen.
- Start sirkelsagen og plasser fotplaten på arbeidsstykket.
- Trykk forsiktig på sirkelsagen og beveg den langsomt forover langs den på forhånd inntegnede kuttelinjen.
- Pass på å trykke fotplaten fast mot arbeidsstykket.



La sirkelsagen gjøre arbeidet! Trykk derfor ikke for hardt mot sirkelsagen.

5. VEDLIKEHOLD



Sørg for at maskinen er spenningsløs når det skal utføres vedlikeholdsarbeid på de mekaniske delene.

Maskinene er konstruert slik at de kan fungere uten problemer med et minimum av vedlikehold. Hvis maskinen rengjøres regelmessig og behandles på riktig måte, bidrar dette til å gi maskinen en lang levetid.

Feil

I tilfelle sirkelsagen ikke virker som den skal, gjengir vi nedenfor noen mulige årsaker og tilhørende løsninger av problemet.

1. Motoren blir overopphetet.

- Motoren blir overbelastet ved å sage i for store arbeidsstykker.
 - *Sag i et lavere tempo og gi motoren anledning til å avkjøle seg.*
- Motoren er defekt.
 - *Skal du kontakte serviceadressen på garantikortet.*

2. Maskinen virker ikke selv om den er slått på.

- Feil i nett-tilkoplingen.
 - *Sjekk nett-tilkoplingen for brudd.*
- Bryteren er defekt.
 - *Skal du kontakte serviceadressen på garantikortet.*

3. Det er vanskelig å føre saken i en rett linje gjennom arbeidsstykket og sagkuttet er uregelmessig.

- Sagbladet er bøyd eller sløvt.
- *Skift ut sagbladet.*

4. Sirkelsagen bråker og/eller går svært uregelmessig.

- Kullbørstene er slitte.
 - *Skal du kontakte serviceadressen på garantikortet.*

Rengjøring

Rengjør maskinhuset regelmessig med en myk klut, helst etter hver bruk. Sørg for at ventilasjonsåpningene er fri for støv og skitt. Hardnakkert skitt fjernes med en myk klut som er fuktet med såpevann. Bruk ikke løsemidler som bensin, alkohol, ammoniakk o.l. Slike stoffer skader kunststoffdelene.

Skifte kullbørstene

- Fjern skruene (17).
- Trekk kullbørstene (18) tilbake fra sirkelhåndsagen og se etter om de er slitt.
- Sett kullbørstene tilbake i børsteholderne.
- Kontroller at kobberkontakten på kullbørstene har god kontakt med kobberdelen i børsteholderen.
- Sett skruene (17) tilbake på plass og stram dem godt til.



Er kullbørstene kortere enn 4 millimeter, må de skiftes ut med nye.

Smøring

Maskinen trenger ikke ekstra smøring.

Feil

Hvis det oppstår feil som følge av for eksempel utslitte deler, skal du kontakte serviceadressen på garantikortet. Bakerst i denne bruksanvisningen finner du en splittegning som viser deler som kan bestilles.

MILJØ

For å unngå transportskader leveres maskinen i solid emballasje. Emballasjen er i den grad dette er mulig fremstilt av resirkulerbart materiale. Benytt derfor anledningen til å resirkulere emballasjen.



Defekte og/eller kasserte elektriske eller elektroniske apparater må avhendes ved egnete returpunkter.

GARANTI

Garantibetingelsene er å finne på det vedlagte garantikortet.

RUNDSAV

Tak, fordi De købte dette Ferm-produkt.

Ved at gøre det har De nu et fremragende produkt leveret af en af Europas førende distributører.

Alle produkter, der leveres af Ferm, er fremstillet i henhold til de højeste standarder for ydeevne og sikkerhed, og som en del af vores filosofi yder vi en enestående kundeservice, der ledsages af vores omfattende garanti.

Vi håber, De vil få stor fornøjelse med dette produkt i mange år fremover.

Tallende i den følgende tekst korresponderer med afbildningerne på side 2.



Læs denne brugsanvisning godt igennem før maskinen tages i brug. Sørg for at De kender maskinens funktion og betjening. Vedligehold maskinen i følge instruktionerne, for at maskinen altid kan fungere optimalt. Bevar denne brugsanvisning og den vedlagte dokumentation til maskinen.

Indhold

1. Tekniske specifikationer
2. Sikkerhedsforskrifter
3. Montage og indstillings forskrifter
4. Betjening
5. Vedligeholdelse

1. TEKNISKE SPECIFIKATIONER

Tekniske data

Spænding	220-240 V
Frekvens	50 Hz
Optaget effekt	1050 W
Omdrejninger, ubelastet	4900/min.
Savklinge	Ø185*20*2.4mm Ø190*30*2.4mm
Maksimal savdybde 90°	68 mm
Maksimal savdybde 45°	46 mm
IP-klasse	IP 20
Vægt	4,19 kg
Lpa (lydtryk)	88+3 dB(A)
Lwa (lydeffekt)	99+3 dB(A)
Vibrationsværdi	2+1,5 m/s ²

Vibrationsniveau

Det vibrationsniveau, der er anført bag på denne betjeningsvejledning er målt i henhold til den standardiserede test som anført i EN 62841; den kan benyttes til at sammenligne to stykker værktøj og som en foreløbig bedømmelse af udsættelsen for vibrationer, når værktøjet anvendes til de nævnte formål

- anvendes værktøjet til andre formål eller med andet eller dårligt vedligehold tilbehør, kan dette øge udsættelsesniveauet betydeligt
- de tidsrum, hvor værktøjet er slukket, eller hvor det kører uden reelt at udføre noget arbejde, kan reducere udsættelsesniveauet betydeligt

Beskyt dig selv imod virkningerne af vibrationer ved at vedligeholde værktøjet og dets tilbehør, ved at holde dine hænder varme og ved at organisere dine arbejdsmønstre

Produktinformation

Fig. A

1. Håndtag
2. Tænd/sluk-kontakt
3. Spændeknap til skæredybde
4. Netledning
5. Sikkerhedsskærm til savklinge
6. Sekskantskrue
7. Bundplade
8. Stopring
9. Savklinge
10. Kløveanlægsflade
11. Spændeknap til kløveanlægsflade
12. Spændeknap til savevinkel
13. Aksellåseknop
14. Vinkelmåler
15. Knap
16. Sikkerhedskontakt
17. Skrue til kulbørste
18. Kulbørste

Pakkens indhold

- 1 Rundsav
- 1 Kløveanlægsflade
- 1 Sekskantnøgle

Kontroller maskinen, løsdele og tillbehør for transport-skade.

2. SIKKERHEDSFORSKRIFTER

Symbolforklaring



Betegnelse for risiko for personskader, dødsfald eller beskadigelse af værktøjet i tilfælde af at du er uopmærksom på instruktioner i denne manual.



Indikerer farer for elektrisk stød



Tag straks stikket ud af stikkontakten, hvis ledningen beskadiges og i forbindelse med vedligeholdelse



Hold omkringstående på afstand



Brug beskyttelsesbriller og høreværn



Når maskinen bruges, skal man bære støvmaske. Når der saves træ, metal og andre materialer kan der frigøres stoffer, som er sundhedsskadelige.

Fare

- Hold hænderne væk fra skæreamrådet og savklingen. Hold den anden hånd på ekstrahåndtaget eller motorhuset. Hvis begge hænder holder på saven, kan de ikke blive skåret af savklingen.
- Før ikke hånden ned under arbejdsemnet. Skærmen kan ikke beskytte dig mod savklingen under arbejdsemnet.
- Juster skæredybden efter arbejdsemnets tykkelse. Man skal kunne se mindre end en helt tand fra savklingen under arbejdsemnet.
- Hold aldrig arbejdsemnet i dine hænder eller over dit ben. Fastgør arbejdsemnet til et stabilt underlag. Det er vigtigt at støtte arbejdsemnet forsvarligt for at minimere udsættelse af kroppen, at savklingen sætter sig fast, og manglende kontrol generelt.
- Hold værktøjet på de isolerende gribeoverflader, når der udføres arbejde, hvor skæreværktøjet kan komme i kontakt med skjulte ledninger eller dets egen ledning. Kontakt med en strømførende ledning vil gøre værktøjets metaldele strømførende og kan

give elektrisk stød.

- Ved langsavning bør man altid benytte en lige anlægsflade. Dette øger præcisionen af savningen og reducerer risikoen for, at savklingen sætter sig fast.
- Brug altid savklinger af korrekt størrelse og med centerhuller af korrekt form (diamant i modsætning til rund). Savklinger, som ikke passer til savens monteringsenhed vil køre excentrisk med tab af kontrol til følge.
- Benyt aldrig beskadigede eller ukorrekte skiver og bolte til savklingen. Skiver og bolte skal være specialkonstruerede til din sav af hensyn til bedst mulig ydelse og sikker drift.

Årsager til og forebyggelse af tilbageslag

- Tilbageslag er en pludselig reaktion fra en fastklemt eller skæv savklinge, som på ukontrolleret vis kan løfte saven op og ud af arbejdsemnet mod føreren.
- Når savklingen bliver klemt eller binder hårdt i et savsnit, der lukker sig, vil savklingen stejle, og motorens reaktion driver enheden hurtigt baglæns mod føreren.
- Hvis klingen bliver bøjet eller kommer til at stå skævt i savsnittet, vil tænderne på bagkanten af savklingen arbejde sig ind i den øverste overflade af træet og få savklingen til at bevæge sig op og ud af savsnittet og springe tilbage mod føreren.

Tilbageslag skyldes forkert brug af saven og/eller forkerte arbejdsprocedurer eller -omstændigheder, og de kan undgås ved at træffe passende forholdsregler som angivet nedenfor.

- Hold godt fast på saven med begge hænder og anbring dine arme, så de kan modstå tilbageslagskræfterne. Stå med kroppen ud til siden i forhold til savklingen, så kroppen ikke er ud for savklingen. Tilbageslag kan få saven til at springe bagud, men tilbageslagskræfter kan håndteres af føreren, hvis der træffes passende forholdsregler.
- Hvis bladet binder, eller hvis savningen bliver afbrudt af nogen anden grund, skal kontakten slippes og saven holdes ubevæget i materialet, indtil savklingen er standset fuldstændig. Forsøg aldrig at fjerne saven fra arbejdsemnet eller trække saven bagud, mens savklingen er i bevægelse, da dette kan forårsage tilbageslag. Undersøg forholdene og gør, hvad der skal til

- for at fjerne årsagen til, at savklingen binder.
- Når en sav genstartes i arbejdsemnet, skal savklingen centreret i savsnittet, og det skal kontrolleres, at tænderne ikke sidder fast i materialet. Hvis en savklinge binder, kan den bevæge sig op eller forårsage tilbageslag fra arbejdsemnet, når saven startes igen.
 - Understøt store arbejdsemner for at minimere risikoen for klemning af klingen med tilbageslag til følge. Store arbejdsemner kan bøje under deres egen vægt. Der skal anbringes støtter under emnet i begge sider, tæt ved skærelinjen og tæt ved emnets kant.
 - Benyt aldrig sløve eller beskadigede savklinger. Uskærpede eller ukorrekt lagte savklinger danner smalle savsnit, som forårsager for høj gnidningsmodstand, klemning af savklingen og tilbageslag.
 - Savklingens dybde og låsearme til skråsnit skal være sikkert tilspændt, før der saves. Hvis savklingens justering ændrer sig under savning, kan det forårsage binding af savklingen og tilbageslag.
 - Vær særligt forsigtig ved "styrtssavning" ind i vægge og andre afdækkede områder. Savklingen kan komme til at stikke ud og skære i genstande, som kan forårsage tilbageslag.

Sikkerhedsinstruktioner for underskærmen

- Kontroller før hver anvendelse, at underskærmen lukker korrekt. Brug ikke saven, hvis underskærmen ikke bevæger sig frit og lukker øjeblikkeligt. Klem eller bind aldrig underskærmen fast i åben position. Hvis saven tabes, kan underskærmen blive bøjet. Løft underskærmen med trækarmen og kontroller, at den bevæger sig frit og ikke har kontakt med savklingen eller nogen anden del - i alle skærevinkler og -dybder.
- Kontroller funktionen af underskærmens fjeder. Hvis skærmen og fjederen ikke fungerer korrekt, skal de repareres før brug. Underskærmen kan arbejde trægt på grund af beskadigede dele, klistrede aflejringer eller ophobning af restmateriale.
- Underskærmen bør kun trækkes tilbage manuelt ved specialsavning som f.eks. "styrtssavning" eller "kombineret savning". Løft underskærmen med trækhåndtaget. Så snart savklingen går ind i materialet, skal underskærmen frigives. Til alle andre former for savning, skal underskærmen

fungere automatisk.

- Kontroller altid, at underskærmen dækker savklingen, før saven anbringes på bænk eller gulv. En ubeskyttet fritløbende klinge vil få saven til at bevæge sig bagud og save i alt, den møder på sin vej. Vær opmærksom på den tid, det tager for savklingen at standse, efter at kontakten slippes.

Inden rundsaven tages i brug

Kontrollér følgende:

- Kontrollér, at motorens tilslutningsspænding svarer til netspændingen.*
- Kontrollér, at netkablet og stikket er i god stand.*
- Kontrollér, at savklingen ikke mangler tænder og at den er fri for revner og eller spalter. Hvis dette er tilfældet, skal savklingen udskiftes med det samme.*
- Kontrollér, at savklingen er monteret korrekt.*
- Brug ikke savklinger, der er deformerede eller beskadiget.*
- Brug ikke HSS-klinger.
- Brug kun savklinger, der er i overensstemmelse med de angivne mål og beskrivelsen. Brug ikke savklinger, hvis krop er bredere eller hvis fortanding er smallere end spaltekniven.
- Stop aldrig savklingen ved at udøve tryk på den fra siden.
- Forvis dig om, at den bevægelige beskyttelseskop kan bevæges frit. Forvis dig også om, at den mekanisme, hvormed beskyttelseskoppen skubbes tilbage i lukket stilling, virker upåklageligt.
- Blokér ikke den bevægelige beskyttelseskoppe i åben stilling.
- Vær ved savning af træ opmærksom på knaster, søm, revner og/eller aflejring af smuds. Savning af dette træ kan føre til den farlige situation, at rundsaven løber fast.
- Efterlad aldrig rundsaven uden tilsyn.
- Brug maskinen udelukkende til savning af træ.

Når rundsaven er i brug

- Arbejdsemnet skal klemmes godt fast.
- Trærester eller lignende, der er i umiddelbar nærhed af saven, må ikke fjernes med hånden. Når trærester har sat sig fast mellem faste og/eller bevægelige dele, skal maskinen stoppes og netstikket trækkes ud af stikkontakten, før træresterne fjernes.

- Sørg for, at rundsaven tilkobles ubelastet. (Undlad at rundsaven kommer i kontakt med arbejdsemnet, når den kobles til). Rundsaven skal først have nået det maksimale omdrejningstal.
- Sav ikke arbejdsemner, der er tykkere end savens dybde.
- Forvis dig om, at der ikke er elektriske kabler, vandrør eller gasledninger, når du saver i vægge eller gulve.
- Sluk først for rundsaven og vent til savklingen er kommet helt til stilstand, før du fjerner rundsaven fra arbejdsemnet og lægger maskinen til side.

Maskinen skal slukkes øjeblikkeligt, når:

- Stikket eller netledningen er defekt, eller hvis ledningen er beskadiget.
- Afbryderen er defekt.
- Rundsaven er overophedet.
- Der er røg eller det lugter af svedet isolationsmateriale.

Elektrisk sikkerhed

Ved anvendelse af elektriske maskiner skal man altid følge de lokalt gældende sikkerhedsforskrifter i forbindelse med brandfare, fare for elektrisk stød og legemensbeskadigelse. Læs udover de nedenstående instruktioner også sikkerhedsforskrifterne i den separat vedlagte sikkerhedsfolder. Bevar instruktionerne godt!



Kontroller altid om netspændingen svarer til værdien på typeskiltet.



Klasse II maskine – Dobbelt isolering – Du behøver ingen jordforbindelsestik.

Udskiftning af ledninger eller stik

Hvis netledningen er blevet beskadiget, skal den udskiftes med en speciel netledning, som kan fås via fabrikanten eller fabrikantens kundeservice. Gamle ledninger og stik skal kasseres, når de er blevet udskiftet med nye. Det er farligt at sætte stikket på en løs ledning i en stikkontakt.

Ved brug af forlængerledninger.

Brug udelukkende godkendte forlængerledninger, der er beregnede til maskinens effekt. Lederne skal have et gennemsnit på mindst 1.5 mm². Hvis forlængerledningen sidder på en tromle, rulles ledningen helt af.

3. MONTAGE OG INDSTILLINGS FORSKRIFTER



Inden indstilling af rundsaven påbegyndes, skal du forvise dig om, at stikket er trukket ud af stikkontakten.

Indstilling af savevinkel (skråvinkel)

- Løsn begge knapper (12).
- Drej bundpladen i den korrekte position (0° - 45°) og stram knapperne igen. Savevinklen (skråvinkel) kan aflæses på vinkelmåleren (14).

Montering af kløveanlægsfladen

- Løsn knappen (11).
- Sæt kløveanlægsfladen i de forhåndenværende spalter.
- Indstil den korrekte skærebredde og stram knappen igen (11).

Indstilling af skæredybde

- Løsn knappen (3).
- Før bundpladen (7) nedad.
- Stram spændeknappen (3) igen, når den korrekte dybde er indstillet.

Udskiftning eller rengøring af savklingen



Brug kun savklinger, der er anbefalet af producenten, og som er i overensstemmelse med EN 847-1.

- Brug aksellåseknappen (13) for at forhindre akslen i at dreje.
- Løsn derefter sekskantskruen (6) midt i savklingen, med den medfølgende sekskantnøgle.
- Drej sikkerhedsskærmen tilbage, og hold den der ved hjælp af knappen (15).
- Træk stopringen og savklingen ud og gør savklingen ren eller udskift den med en ny.
- Sæt igen savklingen tilbage på akslen.
- Lad sikkerhedsskærmen vende tilbage over savklingen ved at løsne knappen (15).
- Tryk aksellåseknappen (13) i igen, monter stopringen (8) igen og stram sekskantskruen (6) godt igen.

4. BETJENING



Det anbefales at bruge høreværn, når der arbejdes med rundsaven.

Tilkobling/Frakobling

Fig. A

- Tryk på knappen (16) med højre hånds tommelfinger og hold knappen trykt ned.
- Tryk derefter på knappen (2). Rundsaven starter nu.
- Rundsaven stopper, når du slipper knappen (2).

Ibrugtagning

- Klem arbejdsemnet fast, således at begge hænderne er fri til at fastholde og betjene rundsaven.
- Tilkobl rundsaven og placér savebunden på arbejdsemnet.
- Tryk forsigtigt på rundsaven og bevæg den langsomt frem langs den på forhånd tegnede skærelinie.
- Tryk savebunden fast mod arbejdsemnet.



Lad rundsaven gøre arbejdet! Undlad derfor at udøve for meget tryk på rundsaven.

5. VEDLIGEHOLDELSE



Sørg for at maskinen ikke står under strøm, når der udføres vedligeholdelsesarbejder på mekanikken.

Maskinerne er udviklet til at fungere længe uden problemer med et minimum af vedligeholdelse. Ved at rengøre maskinen regelmæssigt og behandle den korrekt, bidrager De til en længere levetid for maskinen.

Fejl

Hvis rundsaven ikke virker hensigtsmæssigt, kan du gennemgå følgende mulige årsager og tilhørende løsninger for at afhjælpe problemerne.

1. Elektromotoren overophedes.

- Motoren overbelastes, fordi der saves for store arbejdsemner.
 - *Sav i et lavere tempo og lad motoren køle af.*
- Motoren er defekt.
 - *Kontakt venligst serviceadressen på garantibeviset.*

2. Maskinen virker ikke, selv om den er tilkoblet.

- Fejl i netledningen.
 - *Kontroller netledningen for brud.*
- Afbryderen er defekt.
 - *Kontakt venligst serviceadressen på garantibeviset.*

3. Det er vanskeligt at føre arbejdsemnet i en ret linie langs savklingen og savskæret er uregelmæssigt.

- Savklingen er bøjet eller sløv.
 - *Udskift savklingen.*

4. Rundsaven støjer og/eller går meget uregelmæssigt.

- Kulbørsterne er slidte.
 - *Kontakt venligst serviceadressen på garantibeviset.*

Rengøring

Rengør regelmæssigt maskinkappen med en blød klud, helst efter hvert brug. Sørg for at ventilationshullerne er fri for støv og snavs. Brug en blød klud, der er vædet i sæbevand til at fjerne hårdnakket snavs. Brug ingen opløsningsmidler, så som benzin, alkohol, ammoniak, osv. Den slags stoffer beskadiger kunststofdelene.

Udskiftning af kulbørster

Fig. F

- Fjern skruerne (17).
- Træk kulbørsterne (18) ud fra rundsaven og undersøg dem for slitage.
- Sæt kulbørsterne tilbage i de forhåndenværende holdere.
- Kontroller, at kobberkontakten på kulbørsterne er i god kontakt med kobberdelen i børsteholderen.
- Sæt skruerne (17) i igen og stram dem godt.



Hvis kulbørsterne er kortere end 4 mm, skal de udskiftes med nye.

Smøring

Maskinen behøver ingen ekstra smøring.

Fejl

Skulle en fejl opstå, f.eks. pga. slidtage af en enhed, kontakt venligst serviceadressen på garantibeviset. På bagsiden af denne manual finder du en tegning med alle dele, der kan bestilles.

MILJØ

For at undgå transportbeskadigelse leveres maskinen i en solid emballage. Emballagen er så vidt muligt lavet af genbrugsmateriale. Genbrug derfor emballagen.



Defekte og/eller kasserede elektriske eller elektroniske maskiner skal afleveres på en genbrugsplads.

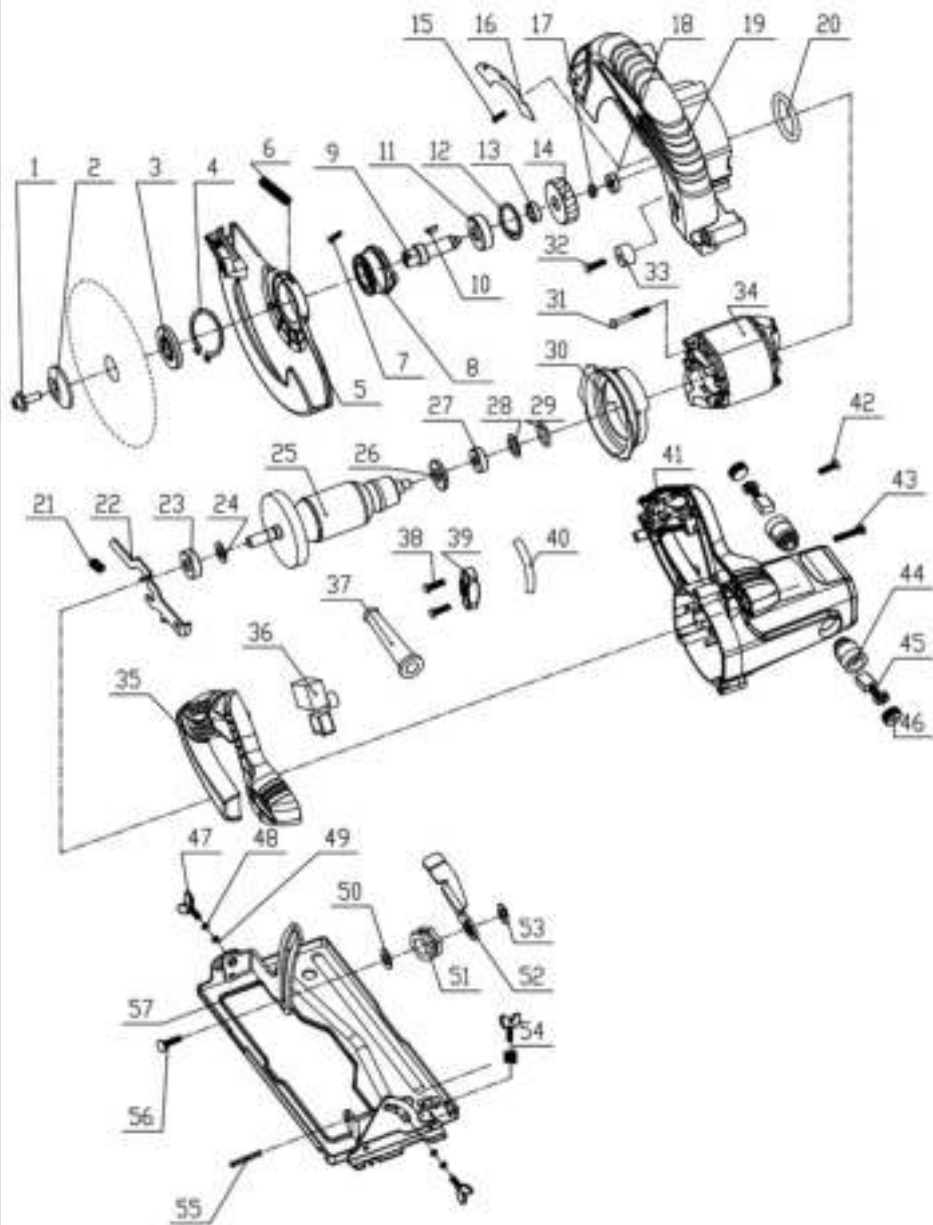
GARANTI

Læs det separat vedlagte garantikort for garantibetingelserne.

Spare parts list**CSM1041P**

No	Description	Position
521294	Screw + flat washer	1
521295	Outer flange	2
521296	Inner flange	3
521297	Movable guard complete	4, 5, 6
521298	Gearbox cover + o-ring	8, 20
521299	Axle bearing 6201 RS + ring & spring	11..13
521300	Big gear + woodruff	9,10, 14
521301	Spindle lock + spring	21, 22
521302	Front Rotor bearing 6000 + ring	23, 24
521303	Rotor with fan	25
521304	Insulation ring	26
521305	Rear rotor bearing 6000 + washer+O ring Ø22	27, 28
521306	Stator	34
521307	Switch	36
521308	Carbon brush holder set (2pcs)	44
521309	Carbon brush set (2pcs)	45
521310	Carbon brush cover set (2pcs)	46
521311	Angle adjustment screw + washers	47..49
521312	Hight adjustment lever complete	50..53, 56
521313	Base plate	57
521321	Parallel guide	

Exploded view





DECLARATION OF CONFORMITY CSM1041P - CIRCULAR SAW

- (EN) We declare under our sole responsibility that this product is in conformity with directive 2011/65/EU of the European parliament and of the council of 8 June on the restriction of the use of certain hazardous substances in electrical and electronic equipment is in conformity and accordance with the following standards and regulations:
- (DE) Der Hersteller erklärt eigenverantwortlich, dass dieses Produkt der Direktive 2011/65/EU des Europäischen Parlaments und des Rats vom 8. Juni 2011 über die Einschränkung der Anwendung von bestimmten gefährlichen Stoffen in elektrischen und elektronischen Geräten entspricht. den folgenden Standards und Vorschriften entspricht:
- (NL) Wij verklaren onder onze volledige verantwoordelijkheid dat dit product voldoet aan de conform Richtlijn 2011/65/EU van het Europees Parlement en de Raad van 8 juni 2011 betreffende beperking van het gebruik van bepaalde gevaarlijke stoffen in elektrische en elektronische apparatuur en in overeenstemming is met de volgende standaarden en reguleringen:
- (FR) Nous déclarons sous notre seule responsabilité que ce produit est conforme aux standards et directives suivants: est conforme à la Directive 2011/65/EU du Parlement Européen et du Conseil du 8 juin 2011 concernant la limitation d'usage de certaines substances dangereuses dans l'équipement électrique et électronique.
- (ES) Declaramos bajo nuestra exclusiva responsabilidad que este producto cumple con las siguientes normas y estándares de funcionamiento: se encuentra conforme con la Directiva 2011/65/UE del Parlamento Europeo y del Consejo de 8 de junio de 2011 sobre la restricción del uso de determinadas sustancias peligrosas en los equipos eléctricos y electrónicos.
- (PT) Declaramos por nossa total responsabilidade-de que este produto está em conformidade e cumpre as normas e regulamentações que se seguem: está em conformidade com a Directiva 2011/65/UE do Parlamento Europeu e com o Conselho de 8 de Junho de 2011 no que respeita à restrição de utilização de determinadas substâncias perigosas existentes em equipamento eléctrico e electrónico.
- (IT) Dichiariamo, sotto la nostra responsabilità, che questo prodotto è conforme alle normative e ai regolamenti seguenti: è conforme alla Direttiva 2011/65/UE del Parlamento Europeo e del Consiglio dell'8 giugno 2011 sulla limitazione dell'uso di determinate sostanze pericolose nelle apparecchiature elettriche ed elettroniche.
- (SV) Vi garanterar på eget ansvar att denna produkt uppfyller och följer följande standarder och bestämmelser: uppfyller direktiv 2011/65/UE från Europeiska parlamentet och EG-rådet från den 8 juni 2011 om begränsningen av användning av farliga substanser i elektrisk och elektronisk utrustning.
- (FI) Vakuutamme yksinomaan omalla vastuullamme, että tämä tuote täyttää seuraavat standardit ja säädokset: täyttää Euroopan parlamentin ja neuvoston 8. kesäkuuta 2011 päivätyn direktiivin 2011/65/UE vaatimukset koskien vaarallisten aineiden käytön rajoitusta sähkö- ja elektronisissa laitteissa.
- (NO) Vi erklærer under vårt eget ansvar at dette produktet er i samsvar med følgende standarder og regler: er i samsvar med EU-direktivet 2011/65/UE fra Europa-parlamentet og Europa-rådet, pr. 8 juni 2011, om begrensning i bruken av visse farlige stoffer i elektrisk og elektronisk utstyr.
- (DA) Vi erklærer under eget ansvar, at dette produkt er i overensstemmelse med følgende standarder og bestemmelser: er i overensstemmelse med direktiv 2011/65/UE fra Europa-Parlamentet og Rådet af 8. juni 2011 om begrænsning af anvendelsen af visse farlige stoffer i elektrisk og elektronisk udstyr.
- (HU) Felelőszégnél teljes tudatában kijelentjük, hogy ez a termék teljes mértékben megfelel az alábbi szabványoknak és előírásoknak; je v souladu se směrnicí 2011/65/EU Evropského parlamentu a Rady EU ze dne 8. června 2011, která se týká omezení použití určitých nebezpečných látek v elektrických a elektronických zařízeních.
- (CS) Na naši vlastní zodpovědnost prohlašujeme, že je tento výrobek v souladu s následujícími standardy a normami: Je v súlade s normou 2011/65/EU Európskeho parlamentu a Rady z 8. júna 2011 týkajúcej sa obmedzenia používania určitých nebezpečných látok v elektrickom a elektronickom vybavení.
- (SK) Vyhlasujeme na našu výhradnú zodpovednosť, že tento výrobok je v zhode a súlade s nasledujúcimi normami a predpismi: Je v súlade s normou 2011/65/EU Európskeho parlamentu a Rady z 8. júna 2011 týkajúcej sa obmedzenia používania určitých nebezpečných látok v elektrickom a elektronickom vybavení.
- (SL) S polno odgovornostjo izjavljamo, da je ta izdelek v skladu in da odgovarja naslednjim standardom ter predpisom: je v skladu z direktivo 2011/65/EU Evropskega parlamenta in Sveta z dne 8. junij 2011 o omejevanju uporabe določenih nevarnih snovi v električni in elektronski opremi.
- (PL) Deklarujemy na własną odpowiedzialność, że ten produkt spełnia wymogi zawarte w następujących normach i przepisach: jest zgodny z Dyrektywą 2011/65/UE Parlamentu Europejskiego i Rady z dnia 8 czerwca 2011 r. w sprawie ograniczenia stosowania niektórych niebezpiecznych substancji w sprzęcie elektrycznym i elektronicznym.
- (LT) Prisiimdami visą atsakomybę deklaruojame, kad šis gaminytis atitinka žemiau paminėtus standartus arba nuostatus: atitinka 2011 m. birželio 8 d. Europos Parlamento ir Tarybos direktyvą 2011/65/EB dėl tam tikrų pavojingųjų medžiagų naudojimo elektros ir elektroninėje įrangoje apribojimo.
- (LV) Ir atbilstoša Eiropas Parlamenta un Padomes 2011. gada 8. jūnija Direktīvai 2011/65/ES par dažū bīstamu vielu izmantošanas ierobežošanu elektriskās iekārtās.
- (ET) Aggallvojam ar viisu atbilidust, ka šis produktis ir saskanaņ ar atbilst sekošajiem standartiem un noteikumiem: ir atbilstoša Eiropas Parlamenta un Padomes 2011. gada 8. jūnija Direktīvai 2011/65/ES par dažū bīstamu vielu izmantošanas ierobežošanu elektriskās iekārtās.
- (RO) Declaram prin aceasta cu raspunderea deplina ca produsul acesta este In conformitate cu urmatoarele standarde sau directive: este In conformitate cu Directiva 2011/65/UE a Parlamentului European și a Consiliului din 8 Iunie 2011 cu privire la interzicerea utilizării anumitor substanțe periculoase la echipamentele electrice și electronice.
- (HR) Izjavljujemo pod vlastitom odgovornošću da je strojem ukladan sa sljedećim standardima ili standardiziranim dokumentima i u skladu sa odredbama: uskladeno sa Direktivom 2011/65/EU europskog parlamenta i vijeća izdanom 8. lipnja 2011. o ograničenju korištenja određenih opasnih tvari u električnoj i elektroničkoj opremi.
- (SR) Pod punom odgovornošću izjavljujemo da je usaglašen sa sledećim standardima ili normama: usaglašen sa direktivom 2011/65/EU Evropskog parlamenta i Saveta od 8. juna. 2011. godine za restrikciju upotrebe određenih opasnih materija u električnoj i elektronskoj opremi.
- (BG) Ние декларираме на наша отговорност, че този продукт отговаря на съответствие с Директива 2011/65/ЕС на Европейския парламент и на Съвета от 8 юни 2011 г. относно ограничението на употребата на определени опасни вещества в електрическото и електронното оборудване, в съответствие следните стандарти и наредби:
- (RU) Под свою ответственность заявляем, что данное изделие соответствует следующему стандарту и нормам: соответствует требованиям Директивы 2011/65/ЕU Европейского парламента и совета от 8 июня 2011 г. по ограничению использования определенных опасных веществ в элктрическом и электронном оборудовании
- (UK) На свою власну відповідальність заявляємо, що дане обладнання відповідає наступним стандартам і нормативам: задовольняє вимоги Директиви 2011/65/СС Європейського Парламенту та Ради від 8 червня 2011 року на обмеження використання деяких небезпечних речовин в електричному та електронному обладнанні.
- (EL) Δηλώνουμε υπεύθυνα ότι το προϊόν αυτό συμμορφώνεται και τηρεί τους παρακάτω κανονισμούς και πρότυπα: συμμορφώνεται με την Οδηγία 2011/65/ΕΕ του Ευρωπαϊκού Κοινοβουλίου και του Συμβουλίου της 8ης Ιουνίου 2011 για τον περιορισμό της χρήσης ορισμένων επικίνδυνων ουσιών σε ηλεκτρικό και ηλεκτρονικό εξοπλισμό.
- (AR) نعلن تحت مسؤوليتنا بانه المنتج يتوافق مع المواصفات والمعايير الواردة في توجيه 2011/65/UE الصادر عن البرلمان الأوروبي والمجلس بتاريخ 8 يونيو 2011 بشأن تقييد استخدام بعض المواد الخطرة في المعدات الكهربائية والإلكترونية.
- (TR) Tek sorumluluğu biz olarak bu ürünüň aşagıdaki standart ve yönergelere uygun olduğunu beyan ederiz.

**EN55014-1, EN55014-2, EN 62841-1, EN 62841-2-5
EN61000-3-2, EN61000-3-3**

2006/42/EC, 2014/30/EU, 2011/65/EU, 2012/19/EU

Zwolle, 01-03-2020

H.G.F. Rosberg
CEO FERM

FERM - Lingenstraat 6 - 8028 PM - Zwolle - The Netherlands

