



RDD 575BT / RDN 575BT MANUAL
ENGLISH

INSTALLATION

Tools for Installation

Use the 2 removal wrenches of the old unit to take out the old unit and place with this brand new car radio. The following tools and supplies may also be needed for the installation:

Tools for Installation: Philips Screw-drivers /Machine Screws /Wire Stripper /Wire Cutter /Hammer /Pencil /Electrical Tape /Electric Drill

Supplies for Installation: Machine Screws /Crimp Connectors /14 Gauge Wire for Power Connections /14-16 Gauge Speaker Wires

The above are not supplied.

Before you install

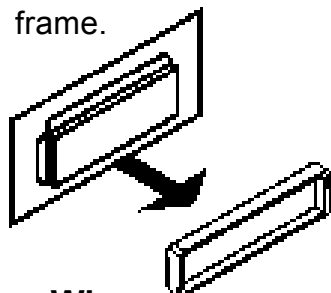
Automotive audio equipment installations can be challenging even to the most experienced of installation technicians. We strongly recommend that this unit should be professionally installed by a VAT registered installer (this is a requirement to validate the warranty).

IMPORTANT: Remove the two transport screws from the top of the unit before installing.

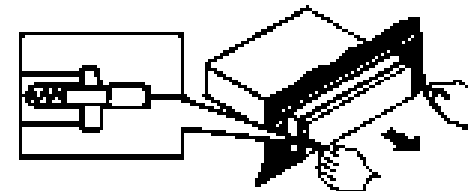
Remove the Old Unit from the Dashboard

1. Remove the outer trim frame.

DIN Front Mount



2. Insert the keys supplied with the old unit into both sides of the unit as shown in figure below until they click. Pull to remove the old unit from the dashboard.



**DO NOT DISCONNECT WIRES
AT THIS TIME!**

Mark Polarity of the Speaker Wires

Marking the polarity of the speaker wires will make it easier to connect the existing speakers to your car radio. Consult wiring diagram of existing head unit before disconnecting any wires. If you are not positive of the polarity of the existing wires from the speakers to the head unit, install new wires.

1. While the old unit is playing, disconnect the wires from one speaker.
 2. Take a length of masking tape and fold it around the wire so it forms a flag.
 3. On the masking tape mark the polarity of the speaker wires (+&-), as well as left or right, and front or rear.
 4. Double check that you marked the first speaker correctly by checking that the speaker wires are the same at the head unit.
 5. Repeat this procedure for all of the speakers.
 6. Mark the power, ground, and any other wires also.
-

INSTALLATION

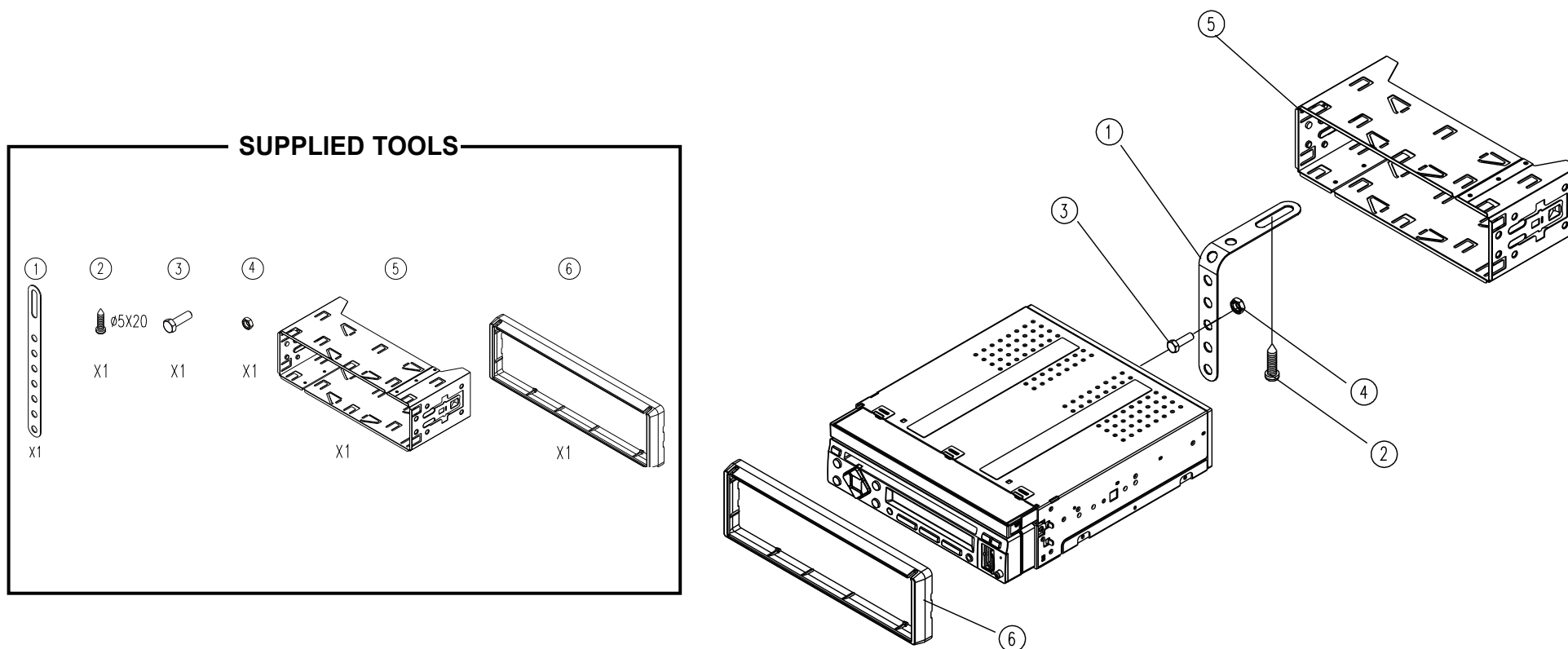
WARNING!

Disconnect negative battery terminal from battery before starting installation. Consult the vehicle's owner's manual for proper instructions.

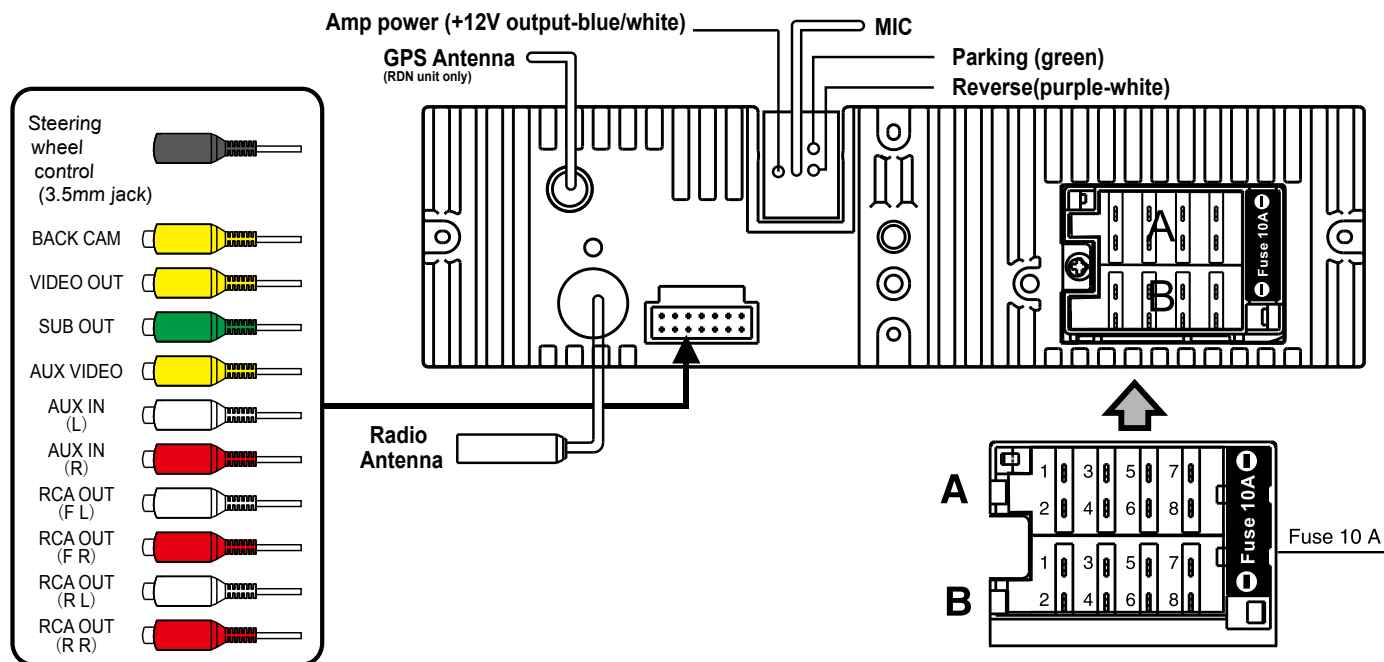
NOTE: Mark the polarity of the existing speaker wires before disconnecting battery.

NOTE: Remove the two transport screws from the top of the unit before installing.

NOTE: Make sure there is enough space for the installation of this single-din in-dash.



WIRING DIAGRAM



Connector A

1. Rear right speaker(+)/Purple
2. Rear right speaker(-)/Purple-Black
3. Front right speaker(+)/Grey
4. Front right speaker(-)/Grey-Black
5. Front left speaker(+)/White
6. Front left speaker(-)/White-Black
7. Rear left speaker(+)/Green
8. Rear left speaker(-)/Green-Black

Connector B

1. -
2. -
3. -
4. Battery 12V (+)/Yellow
5. Antenna power/Blue-White
6. -
7. ACC+/Red
8. Ground/Black

WIRING DIAGRAM

General Wiring Notes:

Make sure You have a good chassis ground. Good ground connection will eliminate most electrical noise problems. A good chassis ground requires a tight connection to the .vehicle's metal chassis. The area around the ground connection should be clean, bare metal without rust, paint, plastic, dust, or dirt for a good ground connection.

Black Ground

Connect to vehicle body/chassis. Make sure you have a good chassis ground. This will eliminate most electrical noise form the motor and alternator. A good chassis ground requires a tight connection to ground. The area should be free from rust, paint or any form of dirt.

Red Ignition

Connect to car ignition switch for main power supply of the unit.

Yellow Memory Backup

Connect to electrical terminal always supplied with power regardless of ignition switch position.

Blue-White Remote

Connect to Auto-antenna or power amp control wire/remote connection. Maximum current 300mA 12VDC. (Low Current)

Green (Hand Brake - Ground)

Connect this wire to the hand brake wire of your car so that the display will be on only when the car is fully stopped.

Purple-White (Rear Gear - VCC)

Connect this wire to the rear gear wire of your car so that the backup camera function can be activated when you car is in reverse gear.

Various outputs (Refer to the wiring diagram)

Refer to the wiring diagram for the connection details.

Speaker Wiring Notes:

Follow the above wiring diagram to install the head unit with new or existing speakers.

1. This unit is designed for use with four (4) speakers with impedance between 4 Ohms to 8 Ohms.
 2. An Impedance load of less than 4 Ohms could damage the unit.
 3. Never bridge or combine the speaker wire outputs. When not using four speakers, use electrical tape to tape the ends of the unused speaker outputs to prevent a short circuit.
 4. Never ground the negative speaker terminals to chassis ground.
-
-

Specifications

GENERAL

Operating Power.....12 Volts DC, Negative Ground
Output Wiring.....Designed for using four speakers only
RCA line out.....low-level outputs - 1000MV
Output Impedance.....Compatible 4 to 8 Ohm Speakers
Fuses.....10 amp
Dimensions.....178mm(W) x 170mm(D) x 58mm (H)
Weight.....2.8 Kg

DVD/VIDEO/SYSTEM

Discs compatible.....DVD, VCD 1.0/1.1/2.0/3.0, MP3, CD, CD-R, CD-RW, PICTURE-CD
Video System.....AUTO / PAL / NTSC
Mounting Angle.....0 to +/-30

TFT/SYSTEM

Resolution.....800x480p
Brightness/Contrast.....270cd/m2,450
Viewing angle.....80
Response Time.....Tr-30ms/Tf-10ms
Aspect Ratio.....4:3

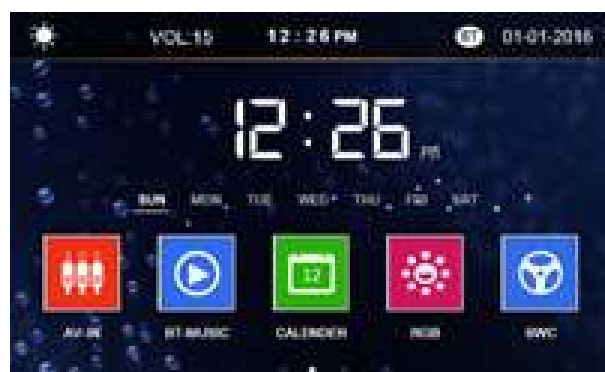
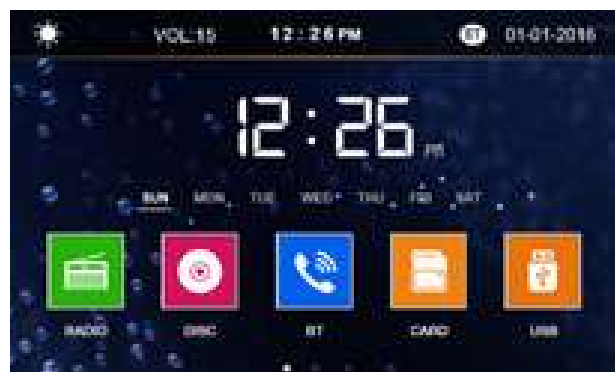
FM/TUNER

Tuning Range.....(USA) - 87.5 - 107.9MHz, (Europe) - 87.5 - 108 MHz
FM Sensitivity.....12dBu
Stereo Separation @ 1 Khz.....35dB

AM/TUNER

Tuning Range.....(USA) -- 530-1710 KHz, (Europe) -- 522-1620 KHz
Am Sensitivity.....30dBu

BASIC OPERATION



1. Tuning the unit On / Off

Press the POWER button to turn the unit on. Press again to open/close the monitor. Press and hold the POWER button to turn the unit off.

2. Turning the TFT On / Off

On the main user interface, tap the daylight setting button on the top right corner of the monitor until the screen is off. Tap the screen again to turn the TFT screen back on. Alternatively, press and hold the MUT button on the front panel for this function.

3. Mode Selection

Press the MOD Button on the front panel to cycle the Play Mode between RADIO, DISC, USB, SD, AV in and TV. Play mode can be chosen by touching on the Main User Interface also.

4. Volume Control & Sound Select

Rotate the volume knob on the front panel to adjust the volume level. Press the SEL button to cycle through BASS, TREBLE, BALANCE, FADER and rotate the volume knob to make corresponding settings.

5. Eject button

When the monitor is open, press the EJECT button to adjust the angle of the TFT monitor for better viewing experience. Press and hold the EJECT button to eject CD or DVD.

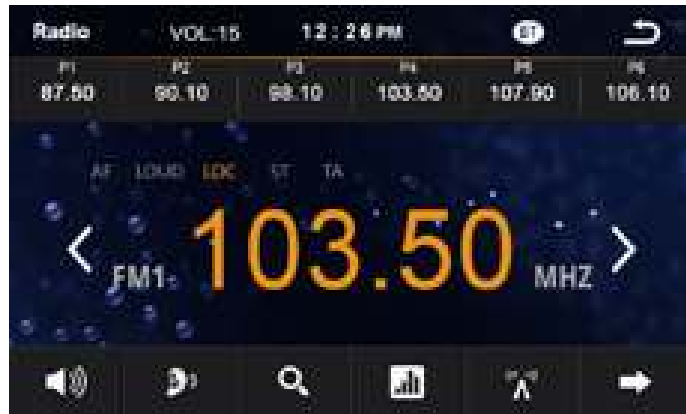
6. Main User Interface

As shown on the diagram on the right. Each play mode can be accessed directly by touching the screen.

7. Motorised Tilt Screen

Press the EJECT button to tilt the screen in order to fit your viewing angle. There are 4 steps up or down for angle adjustment.

Radio Operation



1. Choose Radio Band

Touch the AM button on screen to choose among the five radio bands - three FM Bands (FM1, FM2, and FM3) and two AM Bands (AM1, and AM2). Each of the five bands can store up to six preset stations, for a total of 30 preset memory stations.

2. Radio Seek Function

In Radio Mode, touch and hold > or < Button to adjust the radio frequency automatically. Press the button once to adjust the radio frequency manually.

3. Save Your Preset Stations

There are six numbered preset buttons on the the screen (P1-P6) which can store and recall stations for each band. While listening to a radio station you would like to save as a preset, touch and hold any key from P1-P6 until you hear a beep. The station will be saved in the designated number.

4. Mute

Touch the mute button to mute the unit. Touch again to disable the mute.

5. Mono/Stereo Reception Control

In FM radio mode, touch the ST button to select stereo or mono reception.

Radio Operation (Con'd)

6. Local/Distance Reception Control

In radio mode, touch the LOC button to select local or distance reception.

7. RDS Control (Optional)

AF, TA, PTY are the RDS functions. They are applicable to certain countries only. For countries when RDS is not available. The touch sensitivity of the button will be disabled.

8. Returning to Main User Interface

Touch the "BACK" button to return to the main user interface.

DVD/VCD/CD Operation

1. Insert/Eject CD

Insert a disc into CD slot with label side up. The disc will be automatically loaded into the unit. The unit will display the opening screen with loading status and the disc will play automatically. Press and hold the EJECT Button to eject the disc from the slot. If the disc is not removed from the slot within 10 seconds, it will automatically be loaded into the slot again. When the disc is ejected and removed (or not removed), the unit will automatically switch to radio mode.

2. Selecting Tracks

Press the SEEK >>| Button to advance to the next track. Track numbers will be shown on the display. Press SEEK >> to fast forward.

Press the SEEK |<< Button to go to a previous track. Track numbers will be shown on the display. Press the SEEK << Button to fast reverse. Press >|| button, disc will play normally. On the Remote Control, use the |<< or >>| Buttons.

3. Control of DVD/CD functions

The control of DVD/CD functions is by the touch menu onscreen. The functions described below can be found in either way. To access onscreen touch menu, touch the center of the screen and the menu will appear below. Touch the arrow button on the right to toggle between the 3 pages of onscreen menu to adjust functions described below.

4. Audio Selection

Press the AUDIO button on the remote control, in order to choose the audio language. The audio languages available differ from Disc to Disc. You can also use the setup menu to confirm. Refer to the packing of the Disc for details.

5. OSD (Display information)

Press the OSD button on the remote, so that the OSD will display on the monitor. Details such as title, track, playtime, etc, will be shown.

6. Menu Playing (for DVD only)

Tap so that the menu of the disc will be prompted

7. Motion Picture Angle Adjustment

Press the picture angle adjustment key to adjust the angle of movie playing. This feature applies to specific DVD disc only.

8. Repeat Function

Press the Repeat button to toggle between repeat chapter, repeat title, repeat all and repeat off.

DVD/VCD/CD Operation (Con'd)

9. Title Playing

Press the TITLE button so that the first title track of the DVD will be played.

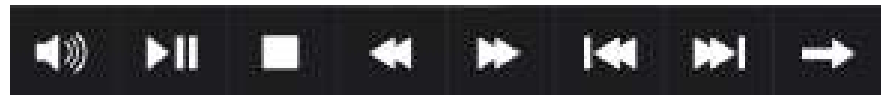
10. Subtitle Selection

Press the Sub-T button to choose the sub-title you want. The sub-title languages available differ from Disc to Disc. You can also use the setup menu to confirm. Refer to the packing of the Disc for details.

11. Track Search

Press the GOTO button to search the desired track to play the Disc. The OSD will be prompted. Make use of the navigation keys and digit keys on the touch screen to choose your desired chapter, track. Press the ENTER button to confirm your selection.

Onscreen Menu



VOL Play/Pause Stop Fast Backward Fast Rewind Track up Track down Next Page



Eject Disc Audio Selection DVD Menu Play Title Repeat Subtitle GO TO Next Page



Random Zoom Angle View Next Page

DVD/VCD/CD Operation (Con'd)

12. Zoom +/-

Press the ZOOM button on the remote control to perform the zoom function. The zoom range is from 1/2 up to 4 (total 7 stages), according to the zooming intensity.

13. Playing the DVD

After the disc is loaded, the movie of the DVD will be played automatically. The menu will be prompted so that you can choose the setting. Press the MENU button during playback so that the menu will be shown.

14. Track Time Search

Press the GOTO button on the remote control to search the desired track time to play the Disc. The OSD will be prompted. Make use of the navigation keys and digit keys on the remote control to choose your desired chapter, track or time. Press the ENTER button to confirm your selection.

15. Video System

Press the BND/SYS button on the remote control to choose between NTSC, PAL, PAL60, AUTO, according to the encoding format of the disc. The default mode is AUTO. Use this function if there is something wrong about the display function (eg. no color in display).

16. Multi-Angle View

Press the ANGLE button on the remote control to perform multi-angle playback. The number of angles change in sequential order. Note: The number of angles is different according to the disc. The function only work for discs having scenes recorded at different angles. When no different angle is recorded, the OSD will show "INVALID KEY"

17. Programme Mode

Press the PROG button on the remote control to set the program play. Use the Navigation and Digit keys to set the Chapter and Track no. as your desired sequence. Press Enter to begin the program play. Press the PROG button and confirm a blank program again to cancel this operation.

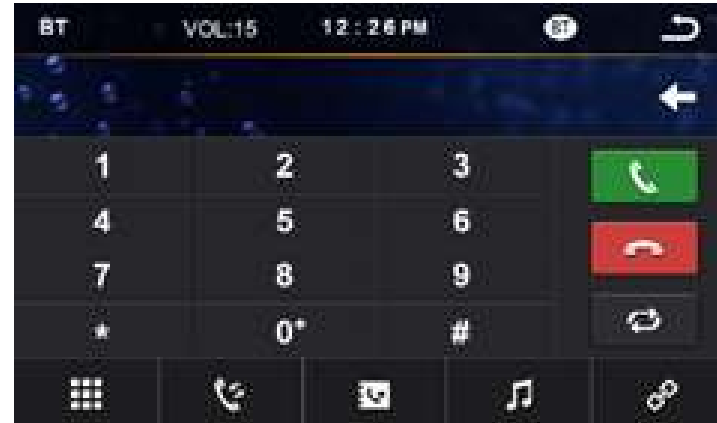
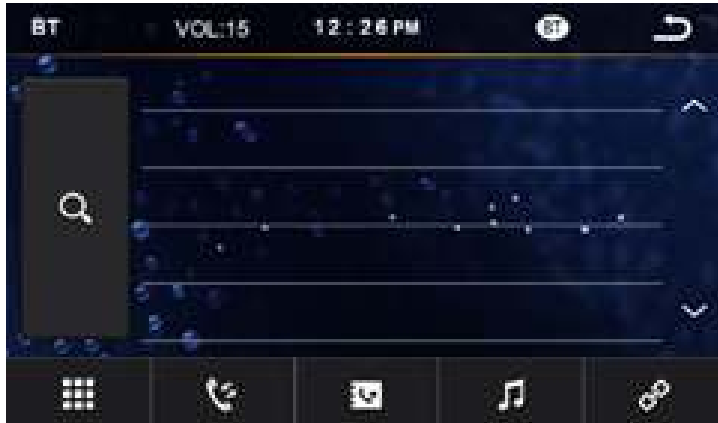
18. Electronic Skip Protection

This unit is programmed with Electronic Shock Protection (ESP) so that the video will be protected against rough roads for 5 seconds.

19. Returning to Main User Interface

Press the arrow on the right hand side of onscreen menu to return to the main user interface.

Bluetooth Operation



PAIRING

At BT mode, search bluetooth device by the phone and “RDD575BT Caliber” will appear in your phone. Input “0000” as password to establish connection.

DIAL PAD

Touch the dial pad to dial the number you would like to call. Touch the CALL (green) button to send the number.

CALL RECORD

Press the HISTORY button to enter the phone book page to view received, missed and dialed calls. More details in the next page.

A2DP

Press the MUSIC button to enter the A2DP page to control playing music of your cellphone. More details in the next page.

REJECT CALL

Press the REJECT (red) button to end the call or to reject an incoming call.

RETURN TO USER MANUAL

Touch the arrow key on the top right corner to return to the main user interface.

Bluetooth Operation (Con'd)



View Received Calls

Touch the RECEIVED CALLS button, the received calls will be displayed. There will be up/down arrows displayed for you to view them one by one.

View Missed Calls

Touch the MISSED CALLS button, the missed calls will be displayed. There will be up/down arrows displayed for you to view them one by one.

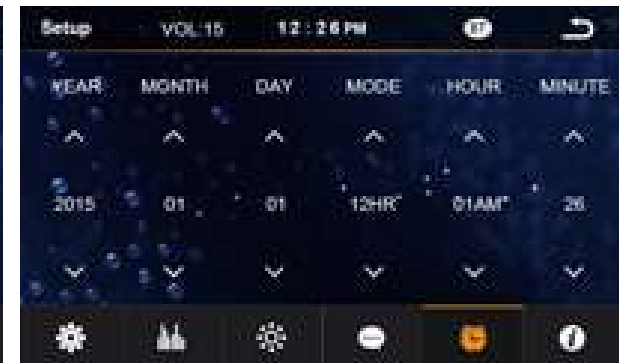
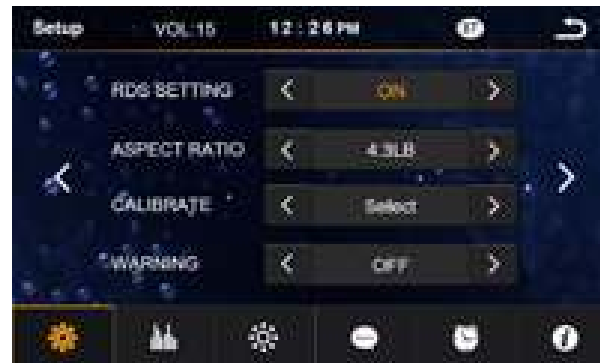
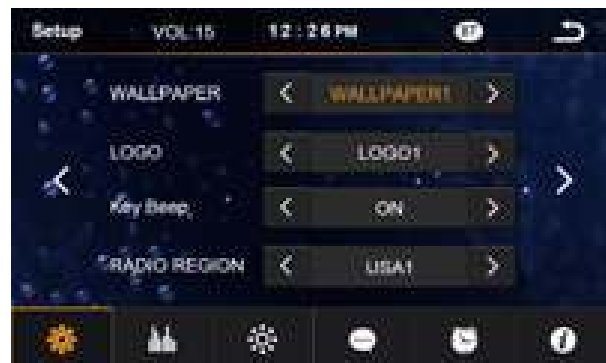
View Dialed Calls

Touch the DIALED CALLS button, the dialed calls will be displayed. There will be up/down arrows displayed for you to view them one by one.

Playing Music on your cellphone

After activating music player in the cellphone, touch (⏸) on screen to play or pause the music. Touch (⏮) and (⏭) to select up or down one song in your song list.

Settings



General Setting

The general setting menu includes wallpaper, logo, Key Beep, radio region, RDS region, aspect ratio, warning, calibration.

Time Setting

You can select Date, Time, Time mode and Time zone by tapping > directly on the options or the arrows for up/down. Tap “BACK” after the setting to take effect.

Settings



GPS Setting (RDN only)

Enter the GPS setting to define the link of the execution file of your GPS program. Consult the installer if you are not familiar with the setting. Tap OK after the full path is inserted. Now you can enter the Navigation mode in the OSD.
Make sure you have inserted the GPS map card properly (the lower micro SD card slot of the front panel) before the settings.

Language Setting

There are different languages to select. You can select the language you want for OSD, disc menu, disc audio and disc subtitle.

Other Operations

1. GPS Navigation (RDN only)

If GPS navigation is available with the system, Tap the GPS logo on the OSD to enter GPS navigation. Follow the on screen instruction to input destination and start navigation. The operation varies from software to software.

2. AV Input

The AV Input Jack is a set of composite input on the rear of the unit. Press the Mode button to choose AUX. Connect any portable audio/video device such as a DVD player or VCD player to unit. Use the volume control to adjust volume.

3. Aux Input

The Aux Input Jack is a 3.5mm connector on the front panel of the unit. Press the Mode button to choose AUX. Connect any portable audio device such as a discman or a portable MP3 player to the unit. Use the volume control to adjust volume.

4. Backup Camera Input

The backup camera input is on the back of the unit. (refer to wiring diagram). This input (in yellow) is for connecting backup camera for parking. You must connect the VCC wire (in pink color) to the reverse gear switch in order to activate this video input mode when you switch the reverse gear of your car. Please refer to the wiring diagram for more details.

5. Video Output x 1

The Video Output Jack is on the back of the unit. (Refer to Wiring Diagram) This output (in yellow) is for connecting monitor(s). You must connect a monitor for car in order to play this unit in another monitor. Consult your dealer for any kinds of monitors that are suitable to use in car.

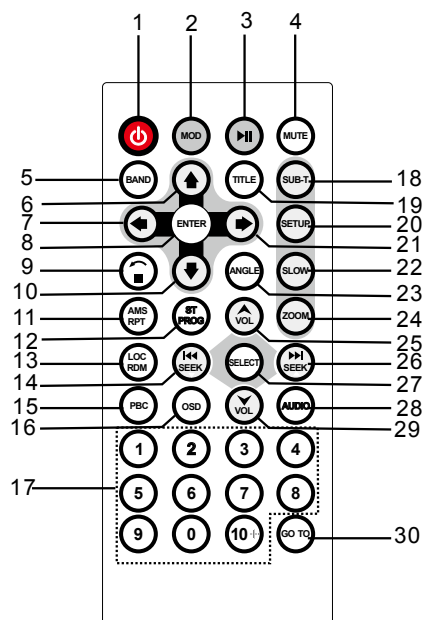
6. RCA Output x 2 sets

The RCA Output Jack is on the back of the unit. (Refer to Wiring Diagram) This output is for connecting amplifier, equalizer, or other audio component that requires a pre-amp out connection. (Red=Right, White=Left) Follow the manufactures instructions for the audio component that you are connecting.

7. Subwoofer Output x 1

The Subwoofer Output Jack is on the output wire harness. (Refer to Wiring Diagram) This output is for connecting up to 2 subwoofer amplifier to the Subwoofer Output Jack to drive a subwoofer. Follow the amplifier's installation instructions.

INFRA RED REMOTE CONTROL



1. Power on/off
2. Mode Select Key
3. Play / Pause Function
4. Mute Sound Function
5. Band Select
- 6/7/10/21. Cursor Button in Menu Mode
8. Confirm The Track/Chapter Selected
or Select Item In SETUP Menu
9. Stop Playback
11. Repeat Play Function
12. Program The Tracks To Be Played/Stereo Selection
13. Random Play Function
- 14/26. Track Up / Down or Fast Forward / Backward
15. PBC Play Mode
16. Statistical Disc Information Display Button
17. Number Select Key
18. Subtitle Language Switching Key
19. Show All Track's Title (DVD only)
20. Display SETUP Menu
22. Play DVD in Slow Advance
23. Watch The DVD Content From Different Angle
24. Zoom In and Zoom Out Function
- 25/29. Adjust Volume Level
27. Sound Select Button
28. Change The Audio Output Method
30. Track Time Search

MAINTENANCE

Cleaning the Unit

Do not use any liquids to clean this unit.
Do not use petroleum distillates to clean this unit.
Use a clean, dry cloth to clean this unit.

Replacing the Fuse

Make sure the amperage matches the specified value when replacing the fuse(s). If the fuse is bad, check the power connection and replace the fuse with a new one. If the same problem occurs, this might indicate a malfunction within the unit.

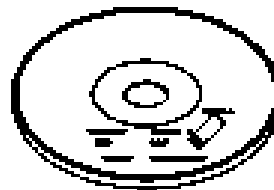
Warning

When replacing a fuse, do not use a fuse with a higher amperage rating than the fuse originally supplied to your unit, otherwise damage will result to your unit.

Care of Discs



Handle the disc by its edge to keep the disc clean. Do not touch the disc's surface.



Do not use CDs with labels or stickers attached. The label may leave a sticky residue when it begins to peel.



Do not use a disc with paste or ink residue on it.



Clean the discs with an optional cleaning cloth. Wipe each disc from the centre out.

WWW.CALIBER.NL

CALIBER HEAD OFFICE • The Netherlands • Fax: +31 (0)416 69 90 01 • E-mail: info@caliber.nl