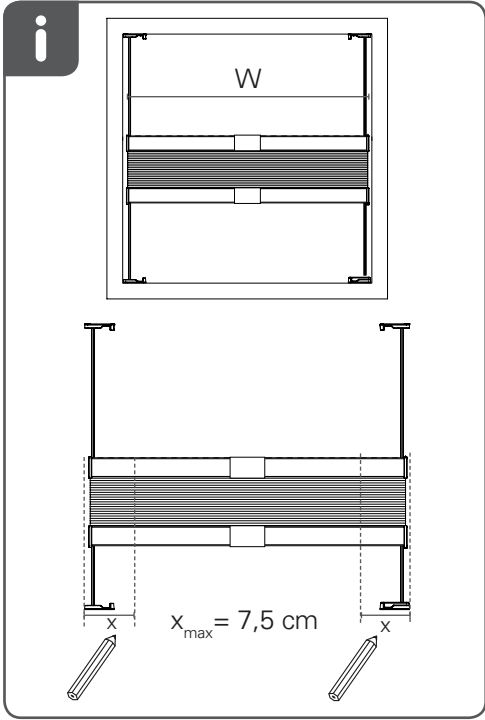
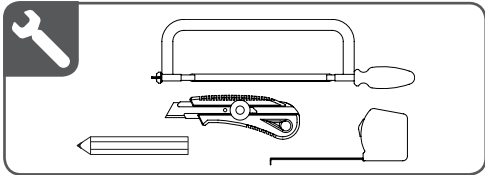
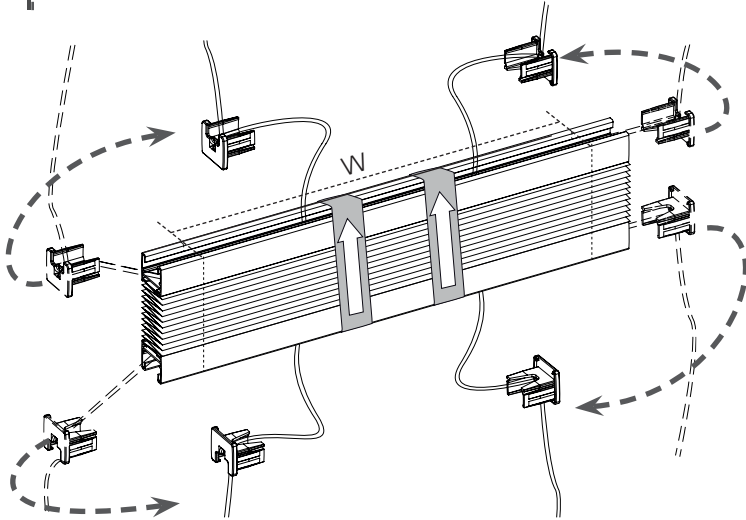
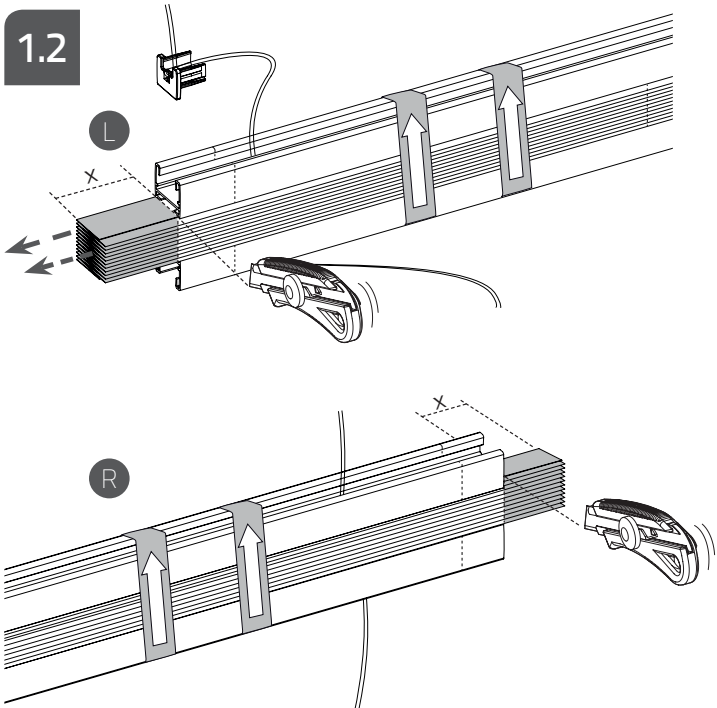
 When the honeycomb is placed too close to the window, the glass can become hot and break. We recommend a distance of 5cm from the blind to the window glass. Ensure adequate air circulation !



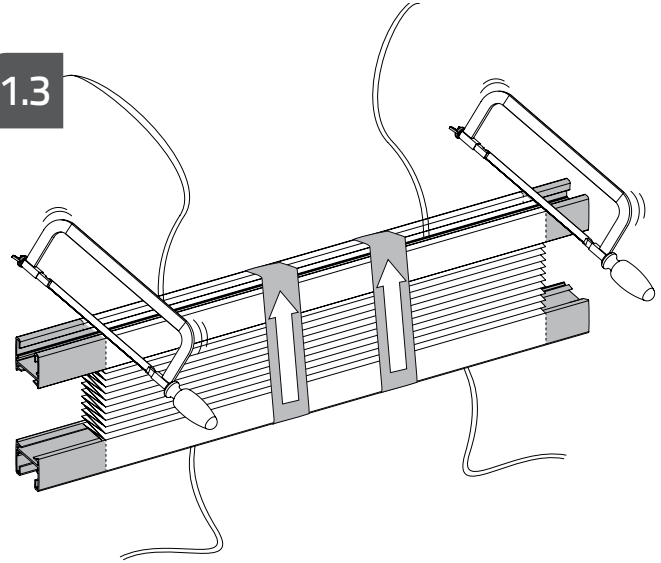
1.1



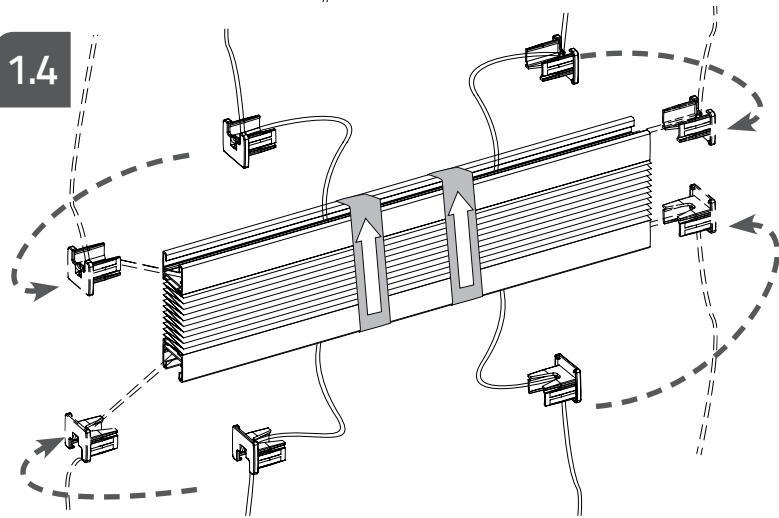
1.2



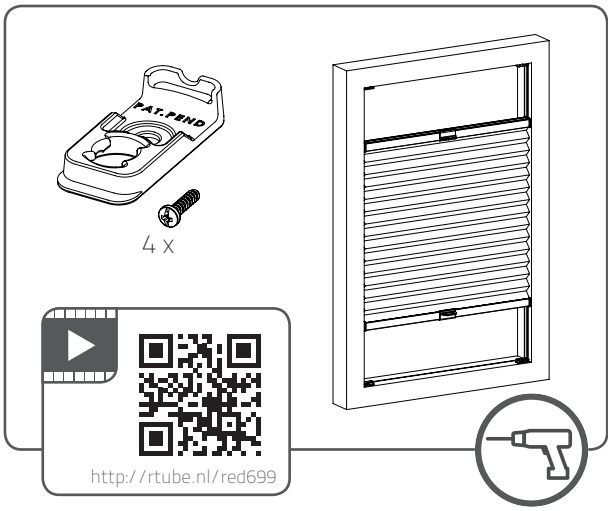
1.3



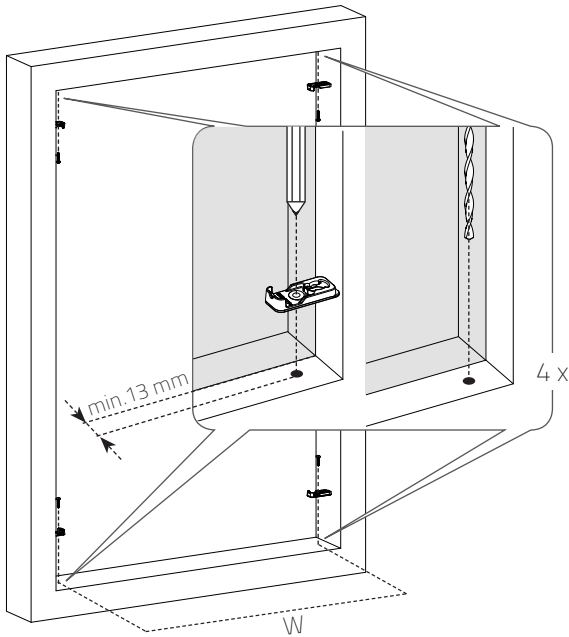
1.4



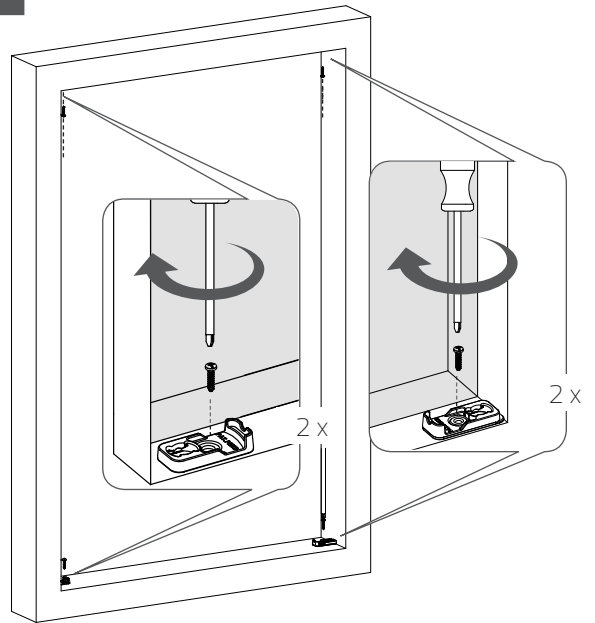
MN160118_20161221



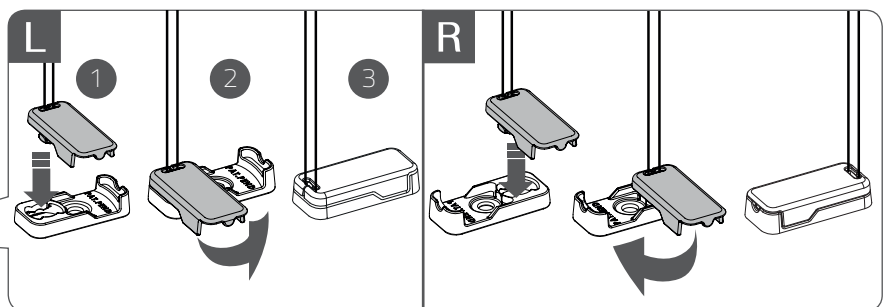
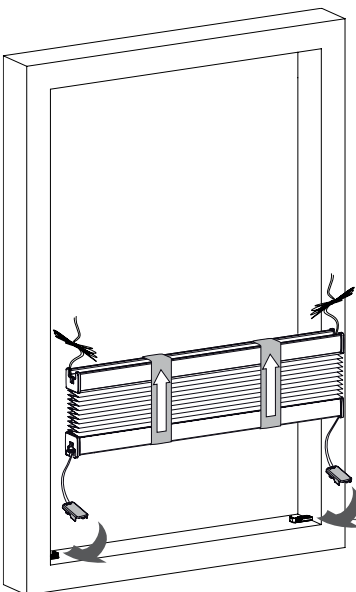
2



3

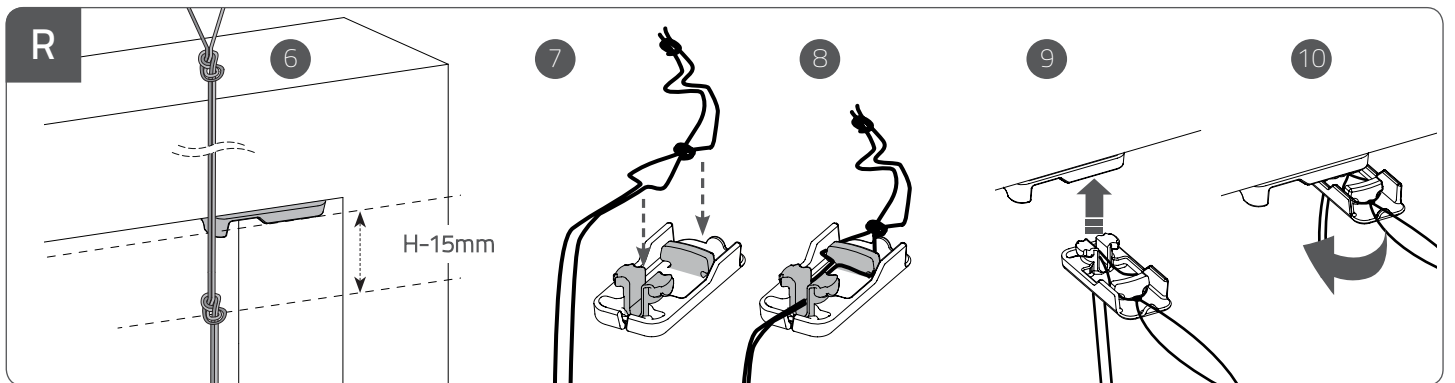
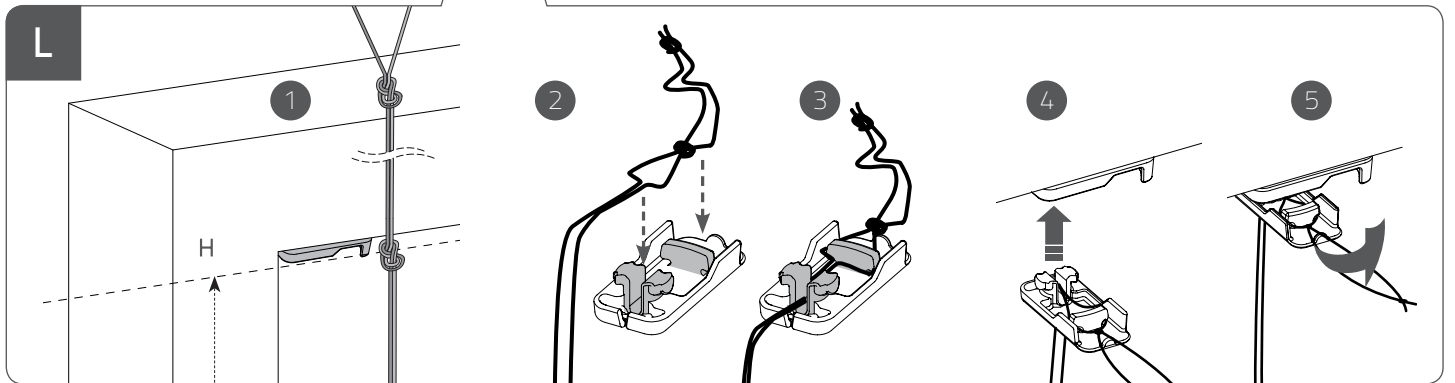
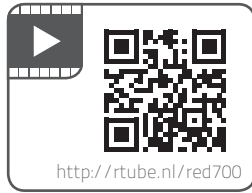
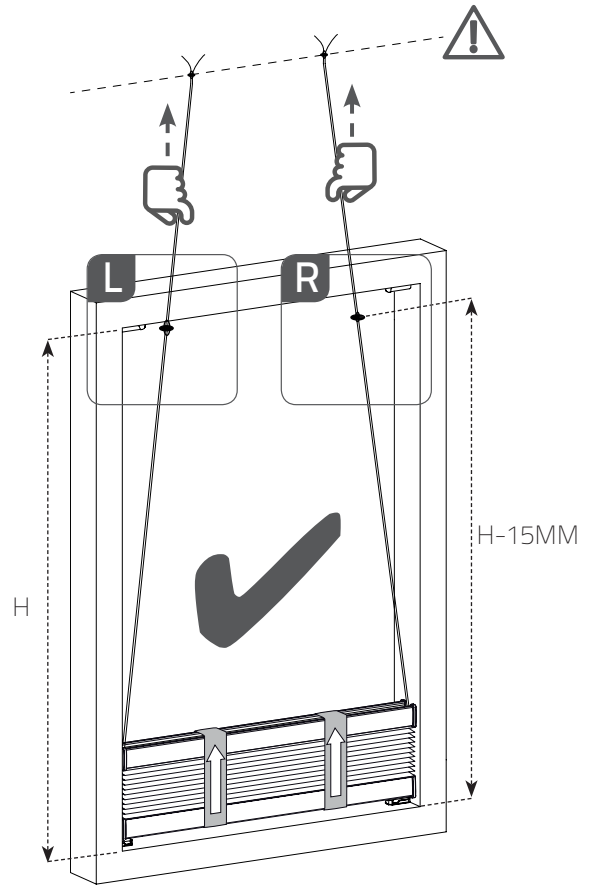
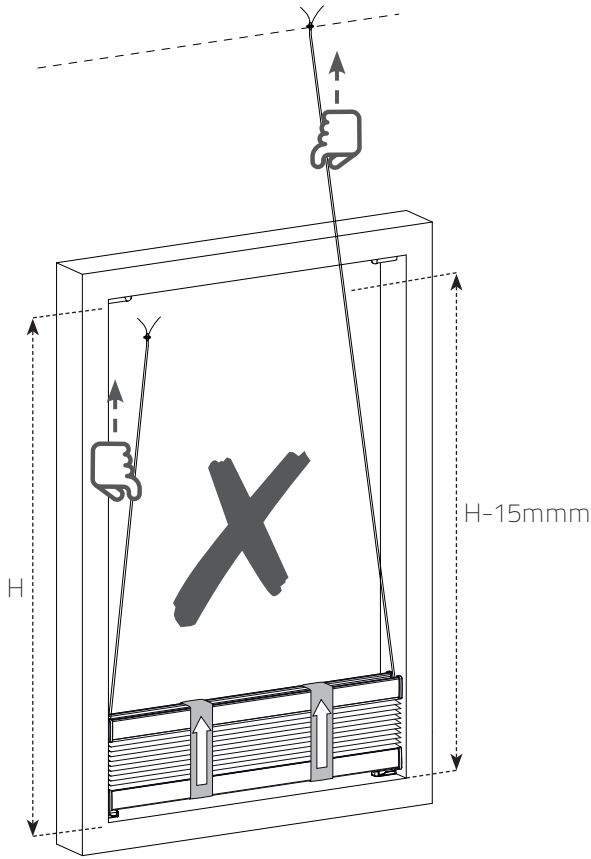


4



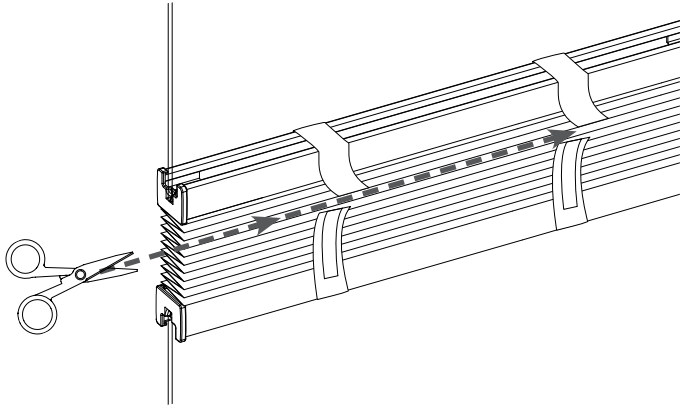
MN160118_20161221

5

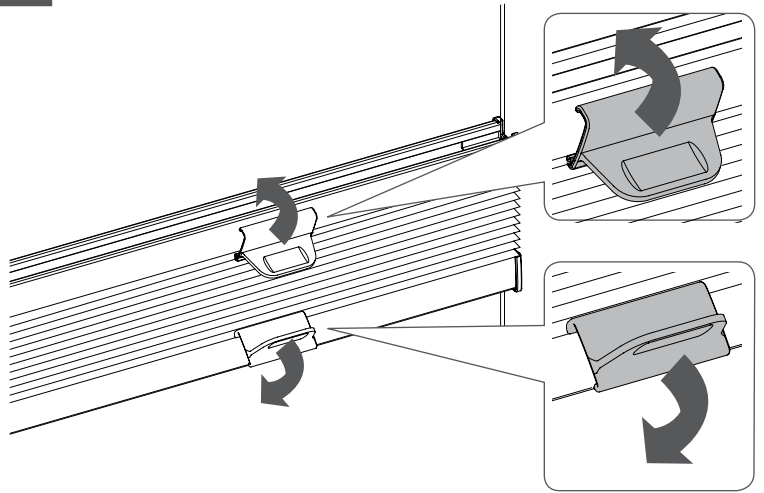


MN160118_20161221

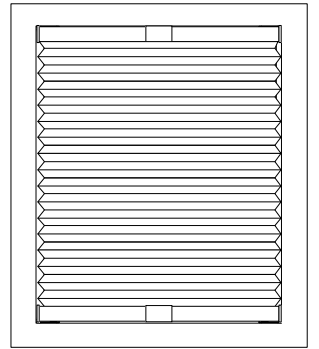
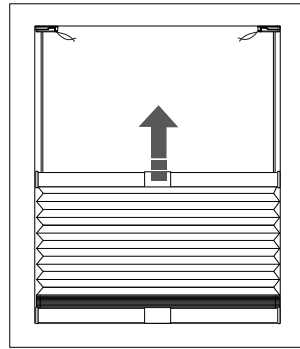
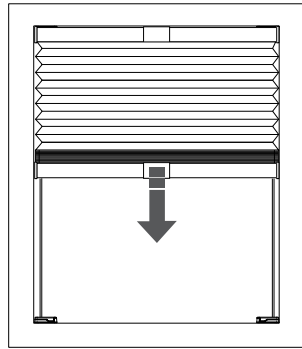
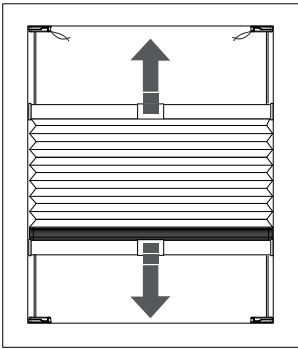
6



7



8



Troubleshoot

