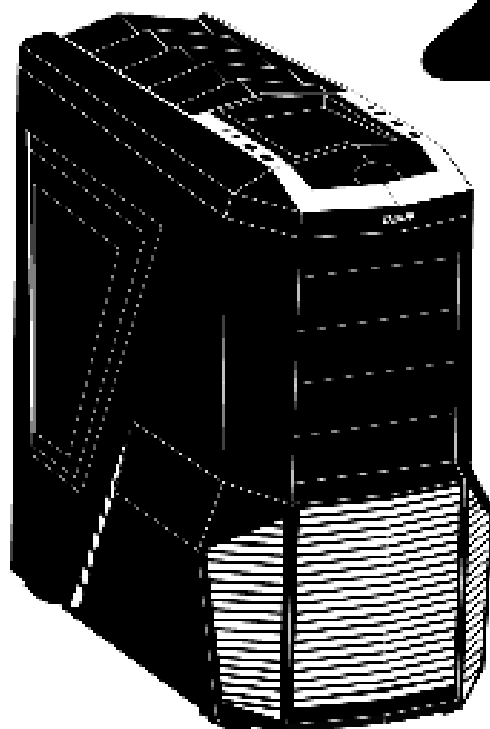


ZALMAN

COOL INNOVATIONS

ATX MID TOWER PC CASE

Z SERIES
Z1



ENGLISH
User's Manual

1 Cautionary Note

- 1) Please read this manual thoroughly prior to installation.
- 2) Before installing, check the components and condition of the product, and if any problem is found, contact the retailer.
- 3) Avoid inserting objects or hands into the system while it is in operation to prevent product damage and injuries.
- 4) Check the manual when connecting cables. Incorrect connections may cause short circuits leading to fire hazards.
- 5) Do not block the front intake vent or the rear exhaust vent.
- 6) Keep this unit away from heat sources, direct sunlight, water, oil, and humid environments, and place the unit on a flat, stable, vibration-free, and well-ventilated area.
- 7) Do not clean the product surface with chemicals or wet cloth. (chemicals: industrial brightener, wax, benzene, alcohol, paint thinner, mosquito repellent, aromatics, lubricant, detergent etc.)
- 8) Please wear gloves while handling this product to prevent injuries.
- 9) Product design and specifications may be revised to improve quality and performance.

Disclaimer) Zalman Tech Co., Ltd. is not responsible for any damages due to external causes, including but not limited to, improper use, problems with electrical power, accident, neglect, alteration, repair, improper installation, or improper testing.

2 Parts

ENG



Main Unit



User manual



Stand-Off x 5

Bolt A(BH 6-32*6) x 11
(PSU, PCI)Bolt B(PWH M3*5) x 17
(M/B, FDD, SSD)Bolt C(M3*6) x 12
(5.25" Bay ODD)Bolt D(#6-32*4) x 20
(3.5" Bay HDD)Bolt E(#6-32*6) x 5
(3.5" HDD)HDD Anti-vibration
rubber x 20
(3.5" Bay HDD)

PCI Slot x 2



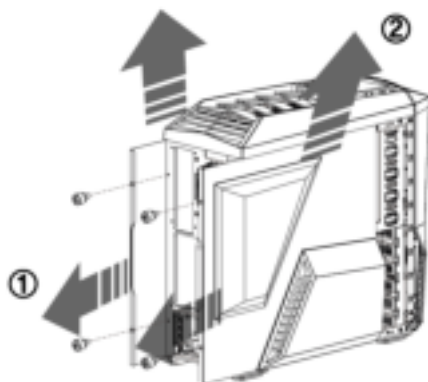
CPU 12V Extension Cable x 1



Cable Tie x 5

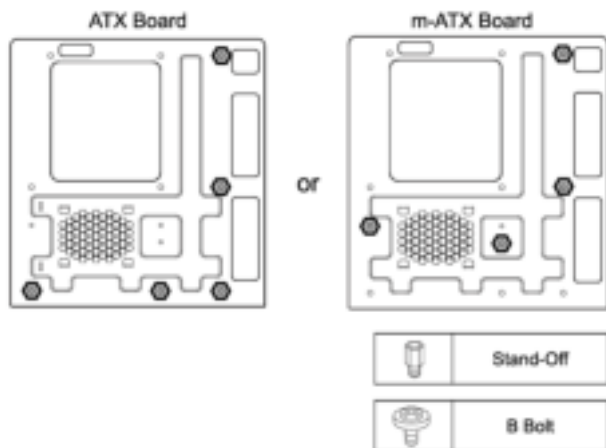
3 Installation

(1) Side Panel Removal



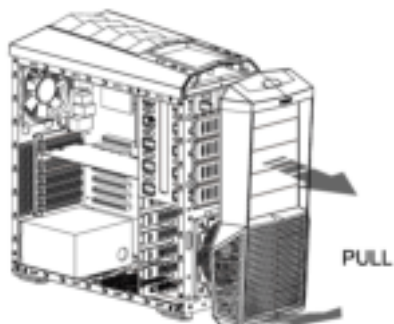
(2) Motherboard Installation

There are 4 Stand Offs preinstalled. Please refer to the diagrams below for additional Stand Off positions (based on motherboard type).



(3) 5.25" and 3.5" Drive Installation

1) Front Cover Removal

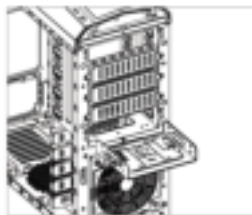
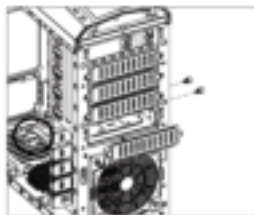


2) ODD Installation



3) 2.5" / 3.5" Tray Installation

① Tray removal



② Attach Drive to Tray
A. 3.5" FDD Installation



Bolt B

B. 3.5" HDD Installation



Bolt A

C. 2.5" SSD Installation

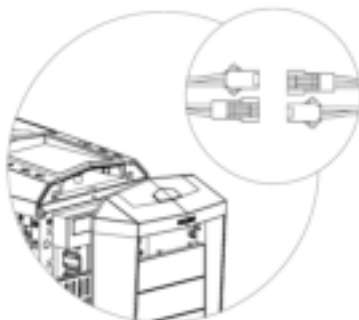


Bolt B

(4) Front Cover Installation





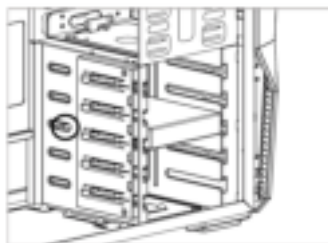
When removing the front cover, the power switch and extension cable are separated to prevent disconnection. Be sure to connect them before installing the front cover.



(5) 3.5" HDD Installation



	Bolt D
	HDD Anti-vibration rubber

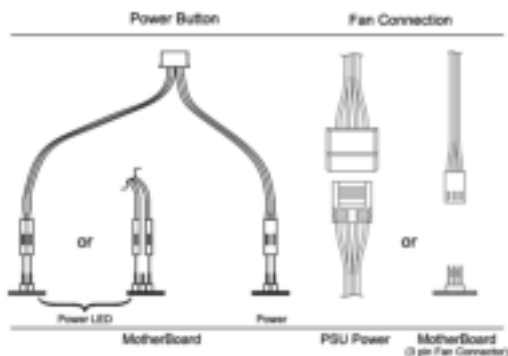


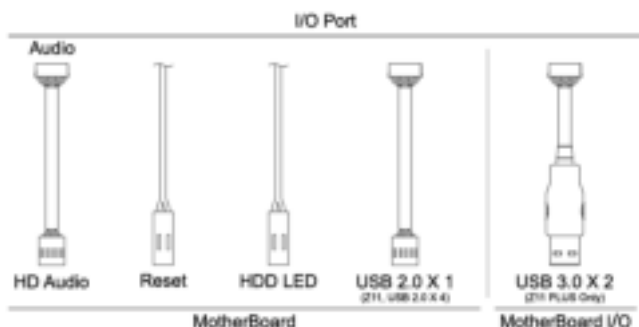
When transporting an assembled system, please secure the HDD with Bolt E as shown above.

When removing HDD, pull the fastening lever outwards and then remove it.



(6) Cable Connection

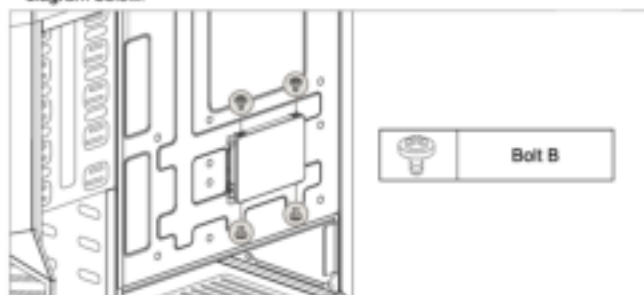




※ Please refer to your motherboard's manual when connecting power and I/O ports

(7) 2.5" HDD / SSD Optional

2.5" HDD and SSDs can be installed on the right side of case as shown in the diagram below.



(8) Optional Fan Installation and Replacement

Top Panel Fan (120/140 mm) Installation

When installing fan, press the Top Panel's seven Hook's towards each other to remove and install as shown in diagram below. The Z11 PLUS comes with one 120mm LED Fan pre-installed.

