

Instructions for use

KitchenAid


These instructions are also available on the website: www.kitchenaid.eu

Important instructions for safety	4
Installation	6
Safeguarding the environment	6
Troubleshooting guide	7
After-sales Service	7
Cleaning	7
Maintenance	8
Material supplied	9
Installation - preliminary assembly instructions	9
Installation dimensions	10
Installation - assembly instructions	10
Maintenance	11
Description and use of hood	12

Important instructions for safety

YOUR SAFETY AND THAT OF OTHERS IS HIGHLY IMPORTANT.

This manual and the appliance itself provide important safety warnings, to be read and observed at all times.

-  This is the attention symbol, pertaining to safety, which alerts users to potential risks to themselves and others.

All safety warnings are preceded by the attention symbol and the following terms:

DANGER:

indicates a hazardous situation which, if not avoided, will cause serious injury.


WARNING:

indicates a hazardous situation which, if not avoided, could cause serious injury.

All safety warnings specify the potential danger/warning to which they refer and indicate how to reduce the risk of injury, damage and electrical shock resulting from incorrect use of the appliance. Comply with the following instructions:

- Installation or maintenance must be carried out by a specialized technician, in compliance with the manufacturer's instructions and local safety regulations.

Do not repair or replace any part of the appliance unless specifically requested in the user manual.

- The appliance must be disconnected from the power supply before carrying out any installation work.
- Earthing of the appliance is compulsory. (Not necessary for class II hoods identified by the  symbol on the specifications label).
- The power supply cable must be long enough to permit connecting the appliance to the mains socket outlet.
- Do not pull the power supply cable in order to unplug the appliance.
- The electrical components must no longer be accessible to the user after installation.
- Do not touch the appliance with any wet part of the body and do not operate it when barefoot.
- This appliance may be used by children older than 8 years of age and by persons with reduced physical, sensory or mental capacities or with inadequate experience and knowledge only if they are supervised or if they have been taught how to use the appliance in conditions of safety and if they are aware of the dangers involved. Children must not play with the appliance. Cleaning and maintenance must not be carried out by children,

unless they are supervised by adults.

- Do not repair or replace any part of the appliance unless specifically indicated in the manual. Defective parts must be replaced using genuine parts. All other maintenance services must be carried out by a specialized technician.
- Children must be supervised to ensure they do not play with the appliance.
- When drilling through a wall or the ceiling, pay attention not to damage electric connections and/or pipes.
- The ventilation ducts must always discharge to the outside.
- Exhaust air must not be vented through a flue used for removal of fumes produced by appliances burning gas or other fuels, but must have a separate outlet. All national regulations governing extraction of fumes must be observed.
- If the hood is used together with other appliances operating on gas or other fuels, the negative pressure in the room must not exceed 4 Pa (4 x 10⁻⁵ bar).
For this reason, make sure the room is adequately ventilated.
- The Manufacturer declines any liability for improper use or incorrect setting of the controls.
- Regular cleaning and maintenance is essential to correct functioning and good performance of the appliance. Frequently clean all encrustations from dirty surfaces to prevent the accumulation of grease. Regularly clean or replace the filters.
- Failure to observe the instructions for cleaning the hood and replacing the filters may result in a fire.
- The fume extractor hood must never be opened without the grease filters installed and it should be kept under constant supervision.
- Gas appliances must be used under the extractor hood only with pans resting.
- When using more than three gas cooking points, the hood should be operating at power level 2 or greater. This will eliminate heat congestion in the appliance.
- Before touching the bulbs, first ensure that they are cold.
- Do not use or leave the hood without its lamps correctly installed - risk of electric shock.
- Wear work gloves for all installation and maintenance operations.
- The product is not suitable for outdoor use.
- When the hob is in use, accessible parts of the hood may become hot.
- Never flame cook food (flambé) under the appliance. Using free flames might cause fire.
- Do not leave frying pans unattended when frying, as the frying oil may catch fire.

Scrapping of household appliances

- This appliance is manufactured with recyclable or reusable materials. Dispose of it in accordance with local waste disposal regulations. Before disposing of it, make it unusable by cutting off its power supply cable.

Declaration of conformity

- This appliance has been designed, manufactured and marketed in compliance with:
 - safety objectives of the “Low Voltage” Directive 2006/95/EC (which replaces 73/23/EEC and subsequent amendments);
 - the ecodesign requirements of european regulations n. 65/2014, and n. 66/2014 in conformity to the european standard EN 61591
 - the protection requirements of Directive “EMC” 2004/108/EC.

Electrical safety of the appliance can only be guaranteed if it is correctly connected to an approved earthing system.

- For further information on the treatment, recovery and recycling of household appliances, contact your competent local authority, the collection service for household waste or the shop where you purchased the appliance.

KEEP THESE INSTRUCTIONS

Energy saving tips

- Switch ON the hood at minimum speed when you start cooking and kept it running for few minutes after cooking is finished.
- Increase the speed only in case of large amount of smoke and vapour and use boost speed(s) only in extreme situations.
- Replace the charcoal filter(s) when necessary to maintain a good odour reduction efficiency.
- Clean the grease filter(s) when necessary to maintain a good grease filter efficiency.
- Use the maximum diameter of the ducting system indicated in this manual to optimize efficiency and minimize noise.

Installation

After unpacking the appliance, check for any damage caused during transport. In case of problems, contact the dealer or the After-Sales Service. To avoid any damage, it is advisable to only remove the appliance from the polystyrene base just before installation.

PREPARATION FOR INSTALLATION

WARNING:

this appliance is heavy; the hood should only be lifted and installed by two or more people.

The minimum distance between the cooking pan support on top of the cooker and the bottom of the hood must not be less than 50 cm for electric cookers and 65 cm for gas or mixed cookers. Before installation also check the minimum distances stated in the manual of the cooker. If the installation instructions for the cooker specify a greater distance between cooker and hood, this distance must be observed.

ELECTRICAL CONNECTIONS

Make sure the power voltage specified on the appliance rating plate is the same as the mains voltage.

This information may be found on the inside of the hood, under the grease filter.

Power cable replacement (type H05 VV-F 3 x 0.75 mm²) must be carried out by a qualified electrician. Contact an authorized service centre.

If the hood is fitted with an electric plug, connect the plug to a socket complying with current regulations, located in an accessible place. If no plug is fitted

(direct wiring to the mains), or if the socket is not located in an accessible place, install a standardized double pole power switch that will enable complete isolation from the mains in case of category III overvoltage conditions, in accordance with wiring rules.

GENERAL RECOMMENDATIONS

Before use

Remove cardboard protection pieces, transparent film and adhesive labels from accessories. Make sure the appliance has not been damaged during transport.


During use

Do not place weights on the appliance, as they could damage it.

Do not expose the appliance to atmospheric agents.

Safeguarding the environment


Disposal of packing

The packing material is 100% recyclable and is marked with the recycle symbol . The various parts of the packing must be disposed of responsibly and in full compliance with local authority regulations governing waste disposal.

Disposal of the appliance

- This appliance is marked in compliance with European Directive 2012/19/EC on Waste Electrical and Electronic Equipment (WEEE).

- By ensuring that this appliance is disposed of correctly, you can help prevent potentially damaging consequences for the environment and health.

- The  symbol on the product or on the accompanying documentation indicates that it should not be treated as domestic waste but must be taken to an appropriate collection centre for the recycling of electrical and electronic equipment.

Troubleshooting guide

The appliance does not work:

- Check the domestic power supply and ensure the appliance is connected to the mains properly.
- Switch the hood off and then on again to see if the problem has been resolved.

The hood is not extracting satisfactorily:

- Check the extraction speed is set to the desired level;

After-sales Service

Before calling the After-sales Service:

1. See if you can solve the problem yourself with the help of the “Troubleshooting guide”.
2. Switch the hood off and then on again to see if the problem has been resolved.

If, after the above checks, the problem persists, contact your nearest After-sales Service.

Always provide:

- a brief description of the problem;
- the type and specific model of the appliance;
- the Service number (this is the number which follows the word SERVICE on the dataplate), inside the appliance. The Service number is also printed on the warranty booklet;

Cleaning

⚠ WARNING:

- Do not use steam cleaners.
- Disconnect the appliance from the power supply.

IMPORTANT: Do not use corrosive or abrasive detergents. If any of these products accidentally comes into contact with the appliance, clean it immediately with a damp cloth.

- Clean the surfaces with a damp cloth. If very dirty, add a few drops of washing up detergent to the water. Dry with a dry cloth.

- Check the filters are clean;
- Check the air vents are not blocked;

The light does not work:

- Check to see if the lamp needs replacing;
- Check to see if the lamp has been fitted properly;

- your full address;
- your telephone number;

SERVICE 0000 000 00000



If any repairs are needed, contact an authorized **Service Centre** (to ensure that only original spare parts are used and that repairs are made correctly).

IMPORTANT: Do not use abrasive sponges or metallic scrapers or scouring pads. Their use could eventually ruin the enamelled surfaces.

- Use specific detergents to clean the appliance and follow the manufacturer’s instructions

IMPORTANT: Clean the filters at least once a month to remove built-up oil and grease.

Maintenance

⚠ WARNING:

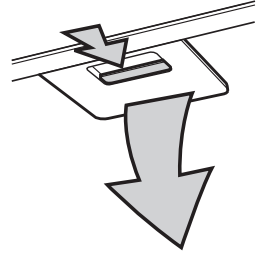
- use protective gloves.
- disconnect the appliance from the mains power supply.

GREASE FILTERS

Metal grease filters have an unlimited life and should be washed once a month either by hand or in a dishwasher at a low temperature and with a short cycle. Washing in a dishwasher can cause grease filters to turn white, but this in no way affects efficiency.

Pull out the handle to remove the filter.

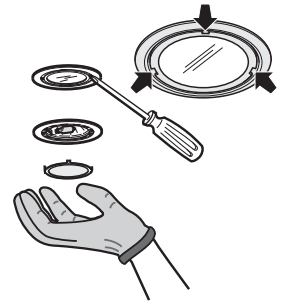
Wash the filter and leave it to dry, proceeding in reverse order to refit it.



REPLACING THE HALOGEN BULBS

IMPORTANT: Replace using 20W max G4 halogen bulbs only.

1. Disconnect the hood from the mains power supply.
2. Use a small screwdriver to gently prise (at the three points indicated) the lamp cover off.
3. Remove the burnt-out lamp and fit a new one.
4. Replace the lamp cover so that it clicks into position.



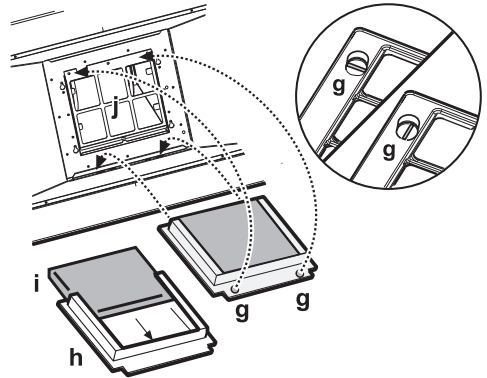
ACTIVE CARBON FILTER (filter hoods only):

The carbon filter must be cleaned once a month in a dishwasher at the highest temperature, using a normal dishwasher detergent. Wash the filters on their own. After washing, reactivate the carbon filter by drying it in the oven at 100°C for 10 minutes. Change the carbon filter every 3 years.

Fitting the carbon filter:

1. Remove the grease filter.
2. Turn the side knobs 90° and then remove the filter holder "g".
3. Fit the carbon filter "i" in the filter holder "h".

Reverse the above procedure to refit the filter holder and grease filter.



Material supplied

Remove all the components from the packets. Check that all the components are included.

- Hood assembled with motor, lamps and grease filters installed.
- Instructions for assembly and use
- 1 connection ring
- Telescopic flues
- 1 Assembly template
- 6 wall plugs Ø 8mm
- 6 screws Ø 5x45
- 1 cable clamp
- Power cable
- 3 screws Ø 3.5 x 9.5
- **60, 70 and 90 cm wide models only:**
 - 1 Flue support bracket
 - 1 baffle
 - 4 screws Ø 2.9x6.5
- **120 cm wide model only:**
 - 1 Flue support bracket (3 pieces, for assembly)
 - 1 deflector (3 pieces, for assembly)
 - 4 screws Ø 4x8
 - 8 screws Ø 3.5x9.5
 - 2 screws Ø 2.9x6.5

Installation - preliminary assembly instructions

The hood is designed for installation and use in “Extractor version” or in “Filter version”.

Note: The model with electric shutter can only be used in "Extractor version" and the exhaust pipe must be connected to a peripheral extraction unit.

Extractor Version

Fumes are extracted and expelled to the outside through an exhaust pipe (not supplied) fixed to the hood exhaust pipe connector.

Depending on the exhaust pipe purchased, provide for suitable fixing to the exhaust pipe connector.

IMPORTANT: If already installed, remove the carbon filter/s.

Filter Version

Air is filtered through the carbon filter/s and recycled into the surrounding environment.

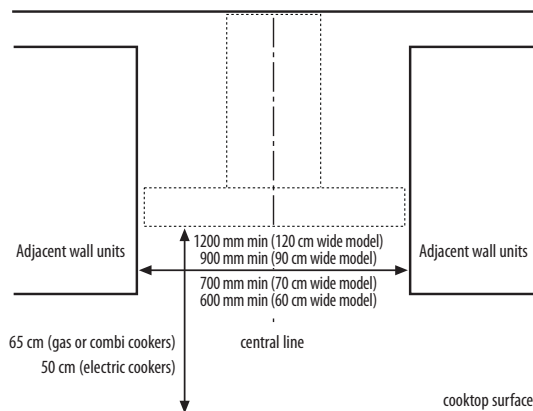
IMPORTANT: check that air recirculation is facilitated.

If the hood does not have a carbon filter/s, order one/them and fit it/them before use.

Install the hood away from very dirty locations, windows, doors and sources of heat.

The hood comes supplied with all the materials required for installation on most walls/ceilings. However, a qualified technician is needed to make sure that the plugs are suitable for your ceiling.

Installation dimensions



Installation - assembly instructions

The instructions below, to be carried out in the order in which they are numbered, refer to the figures (with the same step numbers) given on the last pages of this manual, that are inserted in the installation instructions manual.

Note: Some instructions differ depending on the hood body width and height, in which case installation differences are given in the text and in the figures.

1. Pull the panel (FRONT) firmly downwards.
2. Push the small lever (located in the right part of the panel) to the left.
3. Release it from the rear supports.
4. Mark a line on the wall up to the ceiling, corresponding to the centre line.
5. Cut the template at the line **H6** and place the drilling diagram on the wall (fixing it with adhesive tape): the vertical centre line printed on the drilling diagram must match the centre line drawn on the wall, and the lower edge of the drilling diagram must match the lower edge of the hood.

Drill a hole.

6. Remove the drilling diagram and insert plugs and screws as shown.
7. Partially tighten the screws
8. Assemble (120 cm wide model only) and place the flue support bracket on the wall, against the ceiling. Drill and insert the wall plugs as shown. Fix the bracket.
9. **For Extractor Version only** - rear exhaust outlet: Make a hole in the rear wall for the exhaust pipe.
10. **For Extractor Version only** - ceiling exhaust outlet: Make a hole in the ceiling for the exhaust pipe.
11. Prepare the connection to the household electrical system.
12. **For Filter Version only:** Fix the deflector to the flue support bracket.

120 cm wide model only: the deflector comes in 3 pieces and must be assembled to size.

13. Remove the adhesive tape holding the control electronics box to the motor body.

Note: The figure is only a guide, and the box may be temporarily fixed to other sides of the motor body.

14. Remove the grease filter(s).
15. Hook the hood to the wall.
16. Adjust the hood horizontally.
17. Adjust the distance between the hood and wall.
18. Mark the hole(s) for final fixing of the hood as shown.
19. Remove the hood from the wall.
20. Drill and insert wall plugs as shown.
21. Rehook the hood to the wall.
22. Fix the hood to the wall with screws as shown.

23. Fix the collar to the exhaust opening.
24. Secure the box with the screws already pre-tightened to the motor body.

Note: The box is of two types, with front or rear fixing. Follow the instructions in the figures (24a and 24b), depending on your model.

25. Fit the power cable in the special housing.
26. Secure the cable to the cable clamp.

IMPORTANT: This operation is compulsory. To avoid accidental disconnection of the electrical cable.

Carry out the connection to the household electrical system.

27. Connect the fume exhaust pipe to the collar; the pipe must be run towards the outside (*extractor version*) or towards the deflector (*filter version*).
28. Fit the flues over the extraction unit, in the special seat above the hood.
- 29 a. Pull out the top section and fix the flues with the screws as shown.
b. With 120 cm wide models, the flue must also be fixed at the bottom, inside the hood, with screws as shown in the figure.
30. Fit the carbon filter (*Filter Version only*) and refit the grease filter(s).
31. Hook the panel to the hood.
32. Secure the panel with the special lever located on the right of the panel.

Note: Make sure the panel is properly secured in place.

33. Turn the panel covering the extraction area, hooking it to the hood by pressing hard.

IMPORTANT: Always make sure the panel is firmly fixed in place.

Check correct hood operation, referring to the hood description and use section.

Maintenance

⚠ WARNING:

- **Disconnect the appliance from the power supply**

Cleaning the perimeter extraction panel

Removal:

pull the handle (FRONT) firmly downwards.

Cleaning:

The extraction panel must be cleaned as often as the grease filter, using a rag moistened with neutral liquid detergent.

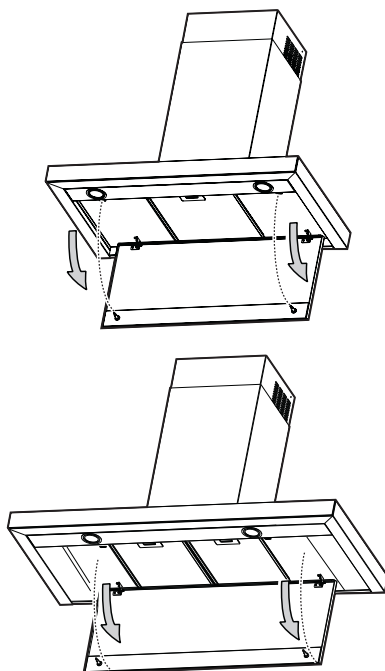
Do not use products containing abrasives.

IMPORTANT: Do not use alcohol.

Fitting:

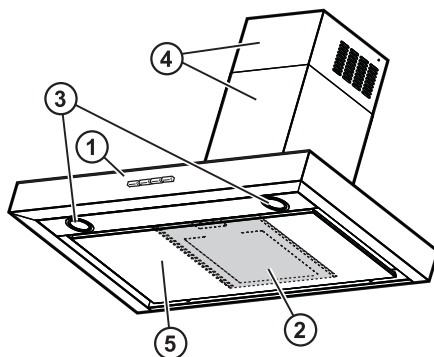
The panel must be fixed at the front, in the special pins on the hood surface.

IMPORTANT: Always make sure the panel is firmly fixed in place.



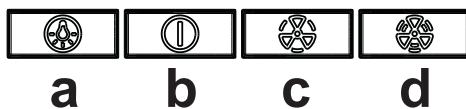
Description and use of hood

1. Control panel.
2. Grease filters (over the perimeter extraction panel).
3. Halogen lamps.
4. Telescopic flue.
5. Perimeter extraction panel.



Control panel

- a. Light ON/OFF button
- b. Motor ON/OFF and minimum speed (extraction power) selection button
- c. Medium speed (extraction power) selection button
- d. Maximum speed (extraction power) selection button





FOR THE WAY IT'S MADE.

Printed in Italy

06/15

400010803609

