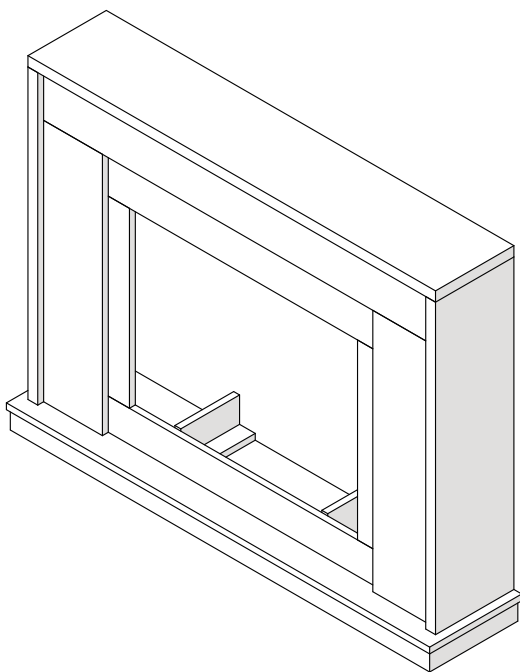


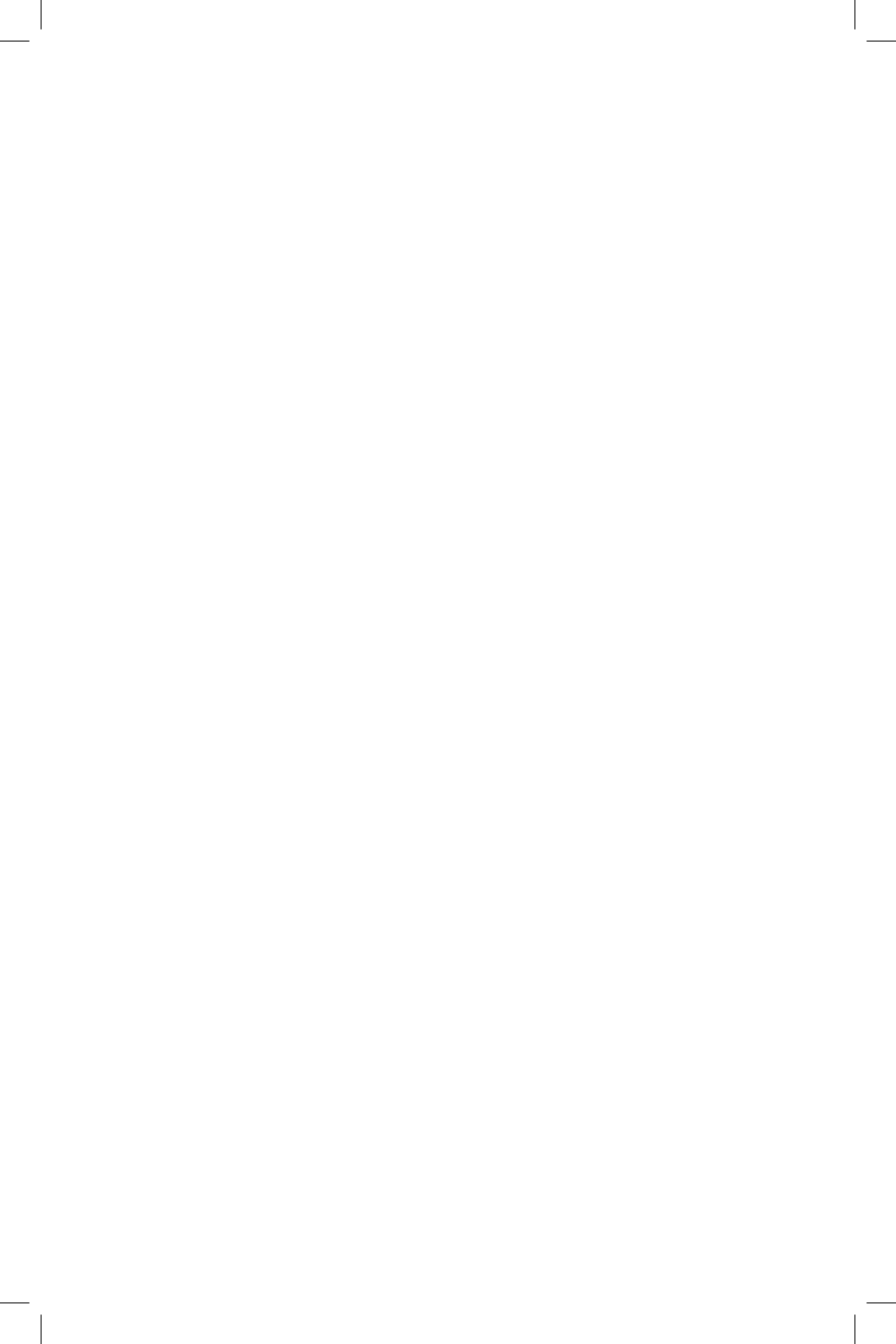
FIREPLACE MANTEL

ASSEMBLY INSTRUCTIONS

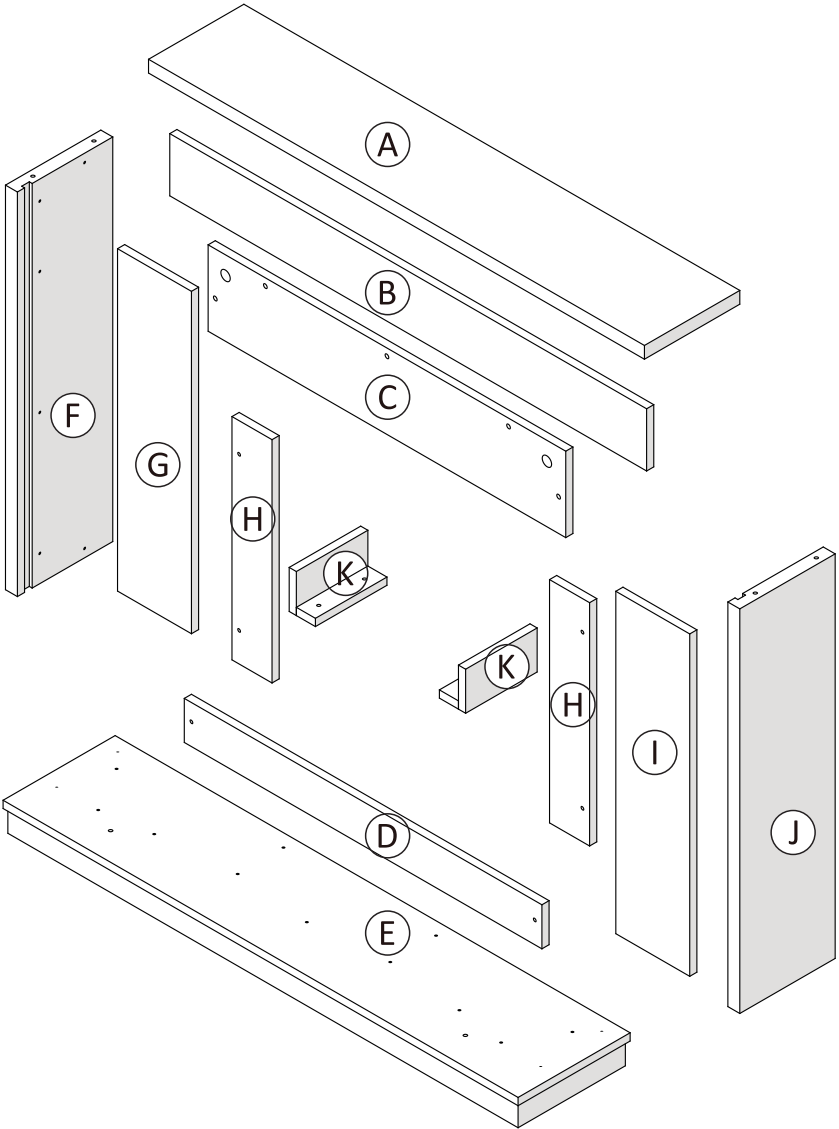
MT378C



If you have a problem with this product, DO NOT RETURN.



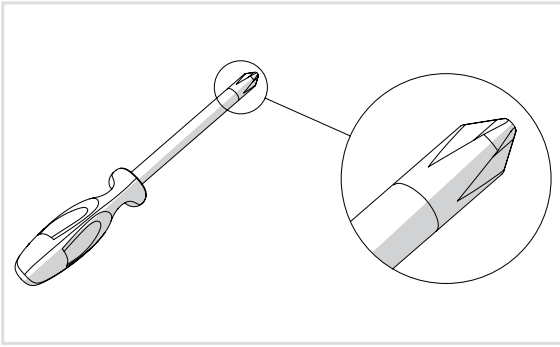
PARTS LIST


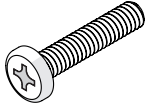
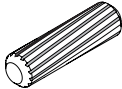
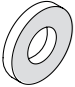
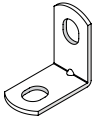



PARTS AND ACCESSORIES

Tools required:

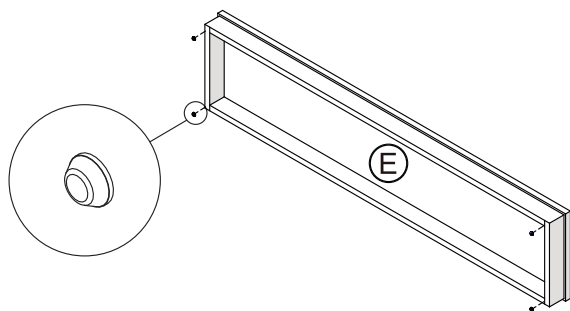
A screwdriver will be needed.



 41 x M6x12mm	 16 x M6x28mm	 11 x ø 8x30mm
 16 x	 21 x	 6 x

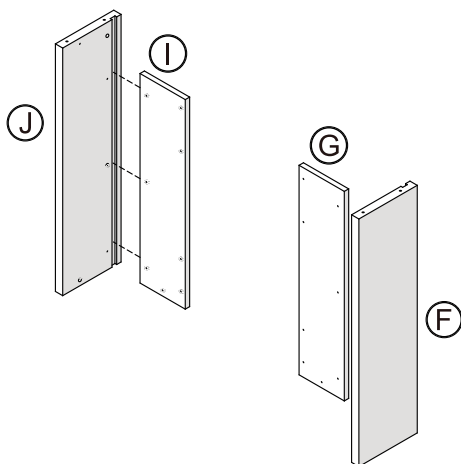
ASSEMBLY INSTRUCTIONS

01



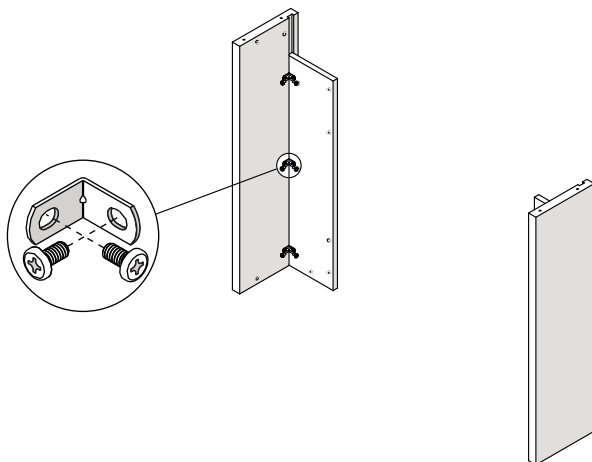
Carry out this assembly step on both sides

02



Carry out this assembly step on both sides

03



12x

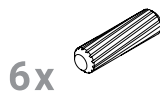
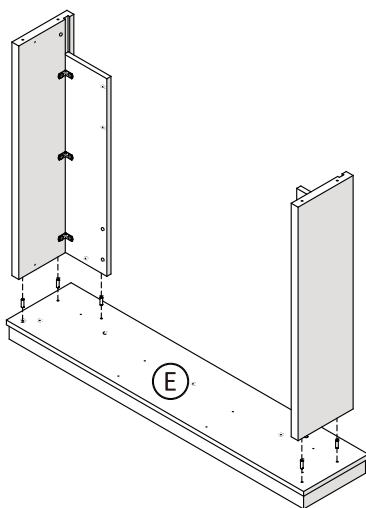
M6x12mm



6x

Carry out this assembly step on both sides

04

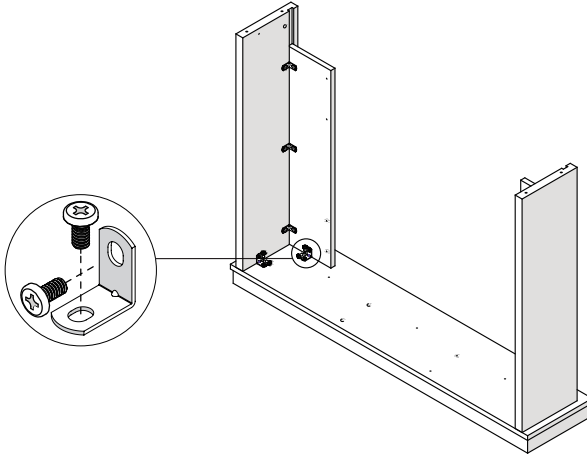


6x

ø 8x30mm

Carry out this assembly step on both sides

05



8x



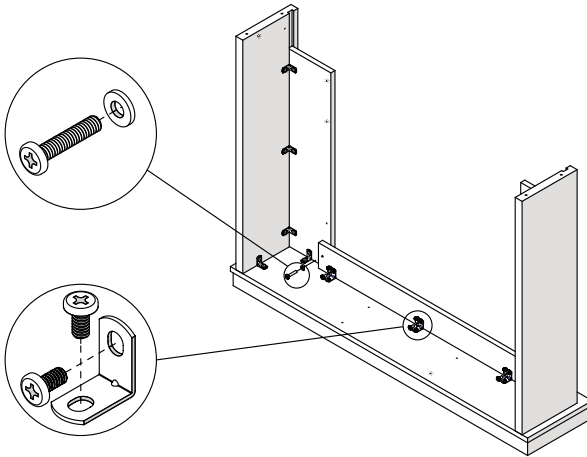
M6x12mm

4x



Carry out this assembly step on both sides

06



6x



M6x12mm

2x



M6x28mm

3x

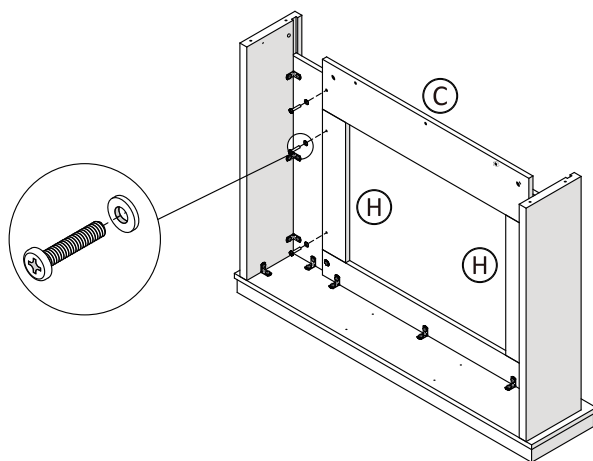


2x



Carry out this assembly step on both sides

07



6x



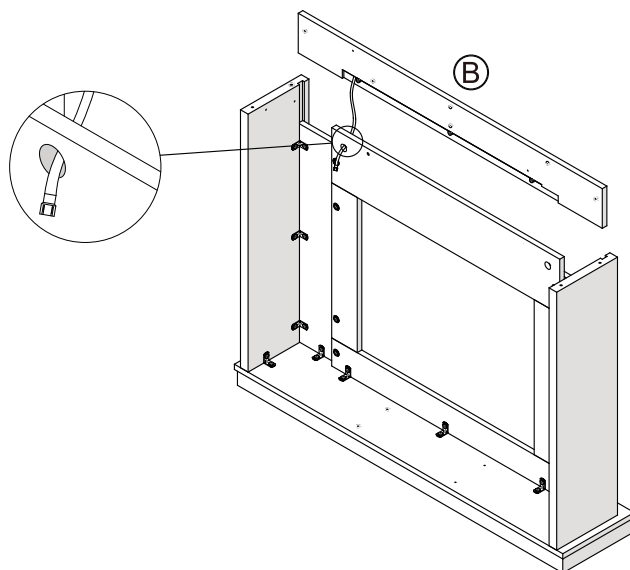
M6x28mm

6x

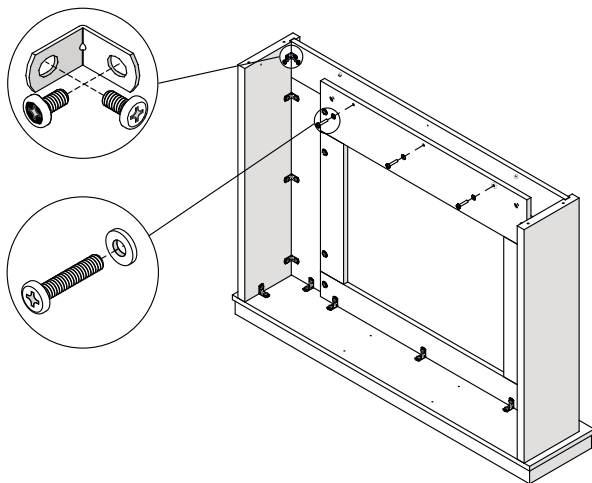


Carry out this assembly step on both sides

08



09

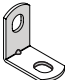


4x 

M6x12mm

3x 

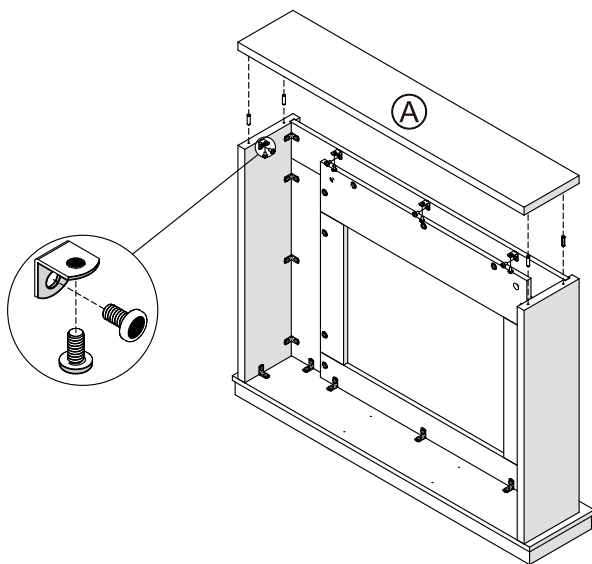
M6x28mm

2x 

3x 

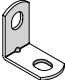
Carry out this assembly step on both sides

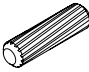
10



10x 

M6x12mm

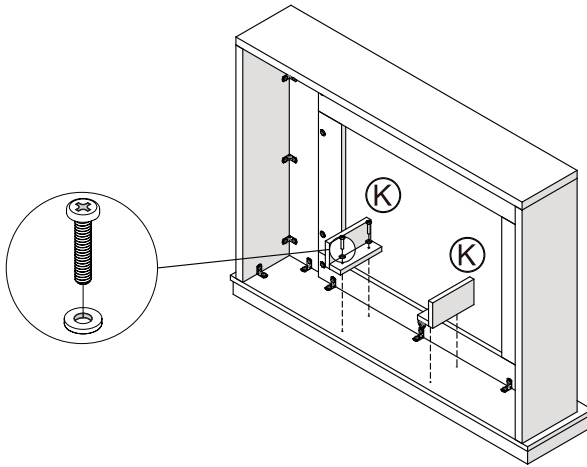
5x 

4x 

ø 8x30mm

Carry out this assembly step on both sides

11



4x

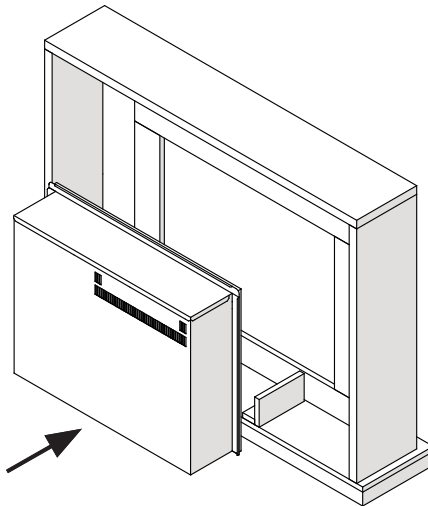
M6x28mm

4x



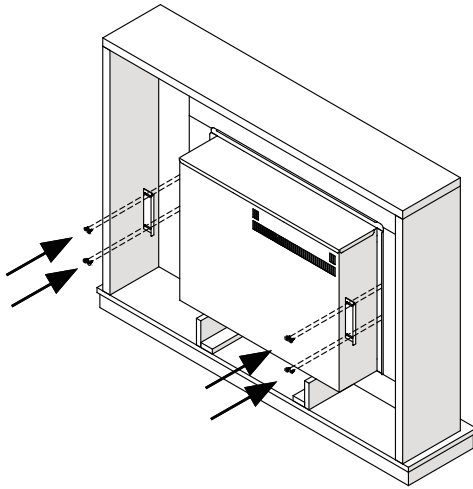
Carry out this assembly step on both sides

12



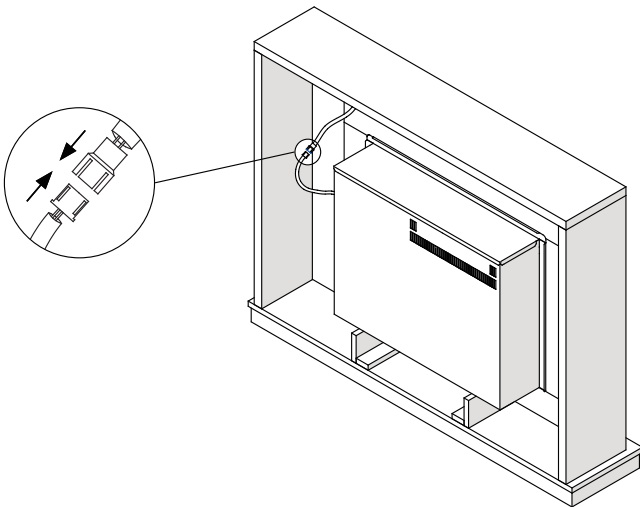
Rear side of the mantel

13



Use 8 pcs ST3.5x12 screws

14



Connect the Mood Light

Distributor:

Tel:

Email: