

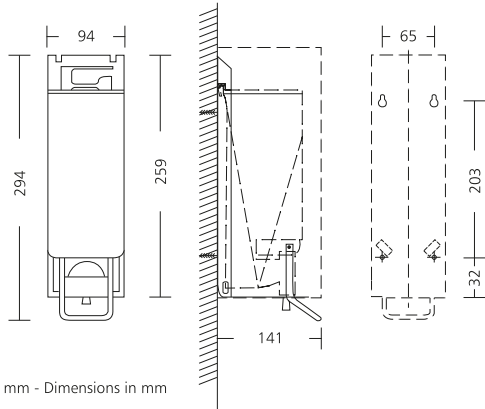
NSU 5 S

High-quality built-in cabinet dispenser for liquid soaps
Art.-No. 1417500



OPHARDT HYGIENE-TECHNIK GmbH + Co. KG
Lindenau 27 | 47611 Issum | Germany
Tel.: +49 (0) 28 35 18-10 | Fax +49 (0) 28 35 18-77
planer@ophardt.com | www.ophardt.com

NSU 5



Maße in mm - Dimensions in mm



References

airports, train stations, schools, kindergartens, hotels, restaurants, commercial kitchen, food processing areas, prisons, exhibitions, conference centres, shopping centres, fitness and sports centres, industry, laboratories, administration facilities

Usage examples

washrooms, baths, nursing and examination rooms, kitchens, production facilities, entrance area

Technical data

Dispenser type:	refillable dispenser
Housing:	Stainless steel, brushed
Filling volume (ml):	600 ml
Dosing pump:	long-life plastic soap pump
Dosage quantity:	1.5 ml/stroke
Filling good:	Liquid soaps, Disinfectant
Operating type:	Stainless steel lever
with/without viewing window:	None
Mounting:	Wall mounting with 4 screws and wall plugs
Cleaning:	manual wipe disinfection
Warranty:	5 years
Net weight:	0.58 kg
Dimensions (W x H x D) in mm:	94x294x141
Hinweis:	Before using new products, please always check the compatibility of the product and the dispensing system to ensure proper functionality.