

OPERATION MANUAL
MANUEL D'UTILISATION
HANDLEIDING

B

100



IMPORTANT SAFETY INSTRUCTIONS

**BEFORE USING THIS APPLIANCE READ ALL INSTRUCTIONS
AND CAUTIONARY MARKINGS IN THIS MANUAL AND ON THE
APPLIANCE.**

KARL HAGEMANN™ CUSTOMER CARE

THANK YOU FOR CHOOSING TO BUY A HAGEMANN™ APPLIANCE

After registering your free 2 year guarantee, your Hagemann™ appliance will be covered for parts and labour (excluding filters) for 2 years from the date of purchase, subject to the terms of the guarantee. If you have any questions about your appliance, call the Hagemann™ Helpline with your serial number and details of where/when you bought the appliance.

SERVICE À LA CLIENTÈLE KARL HAGEMANN™

MERCI D'AVOIR CHOISI D'ACHETER UN APPAREIL HAGEMANN™

Une fois que vous aurez enregistré votre garantie gratuite de 2 ans, votre appareil Hagemann™ sera couvert pour les pièces et la main-d'œuvre (à l'exclusion des filtres) pendant 2 ans à compter de la date d'achat, sous réserve des conditions de la garantie. Pour toute question relative à votre appareil, appelez la ligne d'assistance Hagemann™ en indiquant votre numéro de série et les détails concernant le lieu/la date d'achat de l'appareil.

KARL HAGEMANN™ KLANTENSERVICE

HARTELIJK DANK VOOR UW AANKOOP VAN EEN APPARAAT VAN HAGEMANN™

Na het registreren van uw gratis 2-jarige garantie, is uw Hagemann-apparaat voor 2 jaar gedekt voor onderdelen en arbeidskosten (exclusief filters) vanaf de datum van aanschaf, onderhevig aan de voorwaarden van de garantie. Als u vragen hebt over uw Hagemann-apparaat, bel dan de



Karl
Hagemann™
Service

✉ service@karlhagemann.com

🌐 085 0600467

📞 www.karlhagemann.com



WARNING

These warnings apply to the appliance, to all tools, accessories, chargers or mains adaptors. To reduce the risk of fire, electric shocks, and/or injuries:

1. This Hagemann machine can be used by children aged from 8 years and above and persons with reduced physical or reasoning capabilities, or lack of experience and knowledge can use the appliance under supervision by a responsible person. Cleaning and maintenance should not be performed by children.
2. Do not allow the machine to be used as a toy. Close attention is needed when used by or near children.
3. Please use a separate outlet according to the current / voltage of the fan. Do not use a multi-purpose socket for simultaneous use with other electrical devices.
4. If the machine does not work due to a damaged power cord, turn off the power and contact the Hagemann customer care. Use only as described in this official Karl Hagemann manual. Do not carry out any maintenance other than that shown in this manual or advised by the Hagemann Helpline.
5. Do not move the appliance when you pull the plug out of the socket.
6. Do not unplug by pulling on the cable. To unplug, grasp the plug not the cable. The use of an extension cable is not recommended.
7. Do not operate the fan with a damaged cable or connector. Please contact customer service to replace or repair the cable if the cable is damaged.
8. Do not stretch or energize the cable. Keep the cable away from any heat sources.
9. Suitable for dry places only. Keep away from wet surfaces and do not use outdoors. Do not expose it to water or rain.
10. Do not run the cable under carpets, do not cover it with carpets or similar covers. Route the cable outside the traffic area to avoid accidents.
11. Turn off all controls before pulling the plug and pull the plug out of the socket if you are not going to use the device for a long time.
12. Do not place any objects on the air inlet or outlet. Make sure that the ventilation openings are free of dust, lint, hair and other obstacles that could reduce the air flow.
13. The fan should be set up dry on a horizontal platform and should not be near heat sources, corrosive air and moisture. The fan should be kept a distance of 15 cm around to ensure good air circulation.
14. Always carry the appliance by the base, do not carry it by the loop amplifier.
15. Do not immerse the air cooler, power cord, or plug in water or other liquids to avoid danger. The use of an extension cord is not recommended.
16. Do not use an air cleaner or similar product right next to the appliance. Keep essential oils and chemicals away from the appliance.
17. Do not use any cleaning agents or lubricants for this fan and pull out the power plug before cleaning, moving and/or servicing the device.
18. Choking hazard – The remote-control unit contains a small battery. Keep the remote control away from under aged children and do not swallow the battery. If the battery is swallowed seek medical help immediately.



WARNING

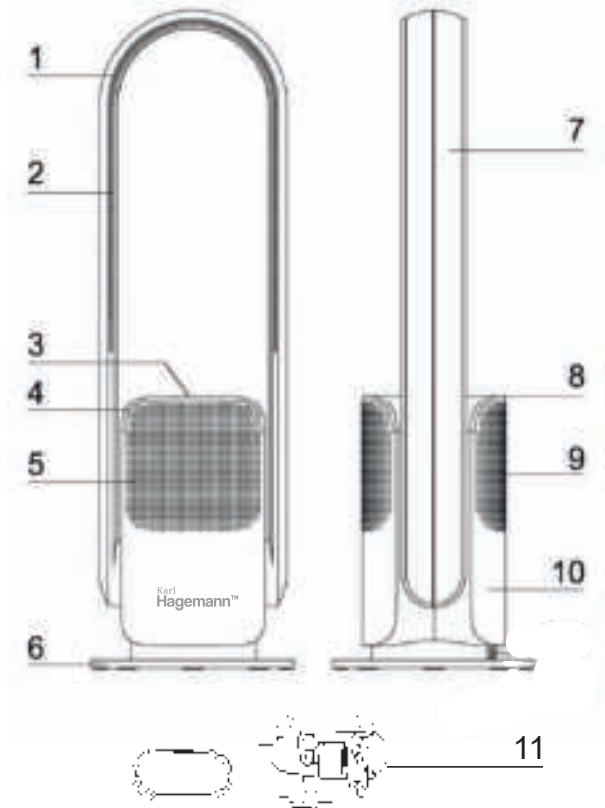
The appliance and the remote control both contain magnets.

1. Pacemakers and defibrillators may be affected by strong magnetic fields. If you or someone in your household has a pacemaker or defibrillator, avoid placing the remote control in a pocket or near to the appliance.
2. Credit cards and electronic storage media may also be affected by magnets and should be kept away from the remote control and the top of the appliance.



PRODUCT STRUCTURE

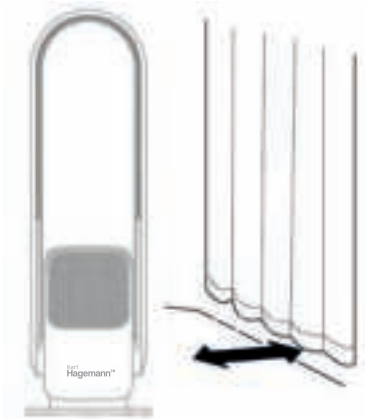
1. Air Duct
2. Air Outlet
3. LED Display
4. Top Cover
5. Air Inlet
6. Base
7. Air Duct
8. Top Cover
9. Air Inlet
10. Body
11. Power adapter





GETTING STARTED

1. Please put the appliance on a stable flat surface. Avoid putting it on an unstable surface (such as a slanted or soft surface) to prevent it from falling over. Please do not use it in hot and humid areas (such as bathroom and kitchen).
2. Avoid blocking the Air Inlet and Air Outlet when the appliance is in use. Please keep the appliance away from curtains, so that they will not block the Inlet/Outlet and obstruct the airflow.
3. Do not place objects within 1 meter in front of the Air Outlet to ensure that the airflow would not be reduced.



Battery Replacement

1. Please remove the insulation sheet before using the remote control.
2. Battery replacement method: as shown in the picture. Please note the battery direction.



CAUTION

1. If the remote control will not be used for a prolonged period of time, please remove the battery.
2. The battery is not rechargeable. Do not try to recharge the battery.
3. The remote control and battery are not toys. Please keep them out of reach of any children.
4. If the battery is swallowed, please seek medical help immediately.

OPERATING INSTRUCTIONS

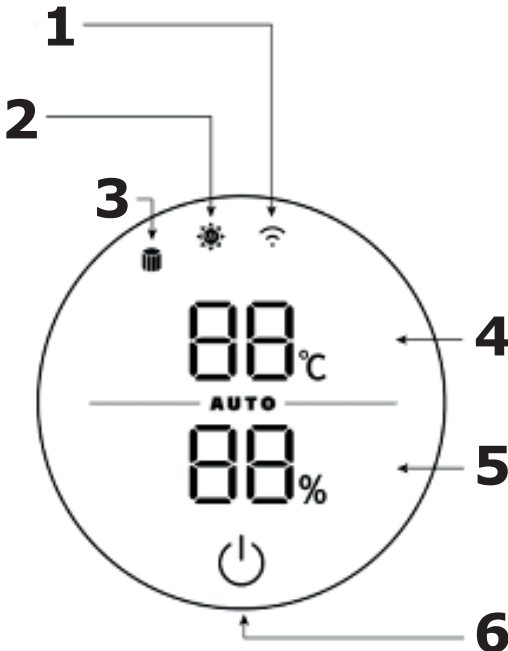
Air Duct Angle Setting

Before adjusting the air duct angle, please make sure the product is turned off. Hold the body with one hand and set the air duct 15° forward or backward. Switch ON and OFF

1. Connect to power source, and the air cooler will enter into Standby Mode.
2. Press On/Off, the buzzer will beep once, and product will start to operate.
3. To turn off the appliance, press On/Off for 2 seconds. The buzzer will beep twice, and the appliance will be turned off. When the buzzer beeps once the air cooler will stop operating, but it will not be turned off.



LED Display



1. Wi-Fi Indicator Light
2. UV-C Disinfection Indicator Light
3. Filter Replacement Alert
4. Temperature Display / AUTO mode
5. Settings & Humidity Display
6. Turn On/Off

LED Display Icons



On/Off Button

- Press to turn product on.
- Press repeatedly to adjust air volume.
- Press 1 second to turn on oscillation on and off.
- Press 2 second to turn off the appliance.
- Long-press 5 seconds to connect product to smartphone App Control.



Filter Replacement Alert Indicator Light

After approx. 720 hours of operation the filter replacement indicator will light up, indicating the filter needs to be replaced. After the filter has been replaced, long-press on the Remote Control for 5 seconds, the indicator will turn off, and product will enter a new 720-hour cycle.



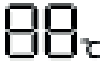
UV-C Disinfection Indicator Light

When UV-C Disinfection Function is turned on via the remote control, the indicator will light up. UV-C will automatically turn off after 1 hour.



Wi-Fi Indicator Light

Long-press on the LED Display for 5 seconds, the indicator will flash, user can then control the product through smartphone App. When successfully connected to the app, the indicator will light up.



Temperature Display

Cool Air Mode, display will light up in white



Settings & Humidity Display

This indicates the current setting and humidity level.



Attention!

When operating the Hagemann B100 aircooler, the following phenomena may occur:

1. The appliance may respond to the remote control of other devices.
2. Other products may respond to the received remote control. This is due to overlapping frequencies of the remote controls. To avoid interference, keep this remote control away from other electrical devices during operation.
3. The On/Off button on the Remote Control does not completely disconnect the power supply to this product. If product will be unused for a prolonged period of time, please unplug the power cord from the socket.

Remote Control

1. Turn On/Off

- In Standby Mode, press once to turn on product.
- When the appliance is operating, press once and the air cooler will turn off and return to standby mode.

2. Oscillation

- Press once to turn on Oscillation Function, oscillation angle is $80^{\circ}\pm 5^{\circ}$.
- Press again to turn off Oscillation Function.

3. AUTO mode

Press this button to start AUTO function. Air speed will be changed base on different room temperature.

4. UV sterilization

- Press once to turn on UV-C Sterilization Function.
- Press again to turn off UV-C Sterilization Function (UV Sterilization Function will automatically turn off after operating for 1 hour).

5. Turbo Mode

Max mode: the digital display will show "HH" and the wind speed becomes maximum.

6. Timer Mode

Press this button to set Countdown to turn Off Time (1-8 hours). When the countdown is finished, the appliance will automatically stop operating.

7. Sleep Mode

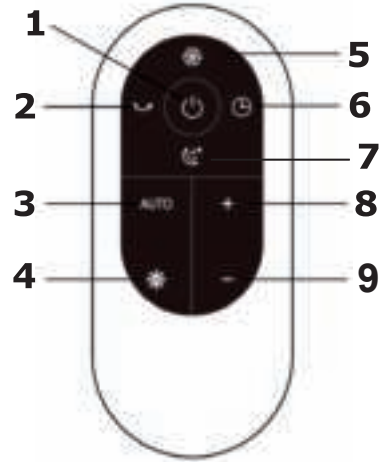
Press this button to set the airflow to soft.

8. Air volume +

- Press + to increase airflow.
- Fan has 9 levels of airflow.

9. Air volume -

- Press - to decrease airflow.
- Fan has 9 levels of airflow.



NOTE

The remote control should be pointed directly at the signal receiver on the appliance's display panel to maximize remote control reception.

CLEANING & MAINTENANCE

Unplug the power supply before performing maintenance.

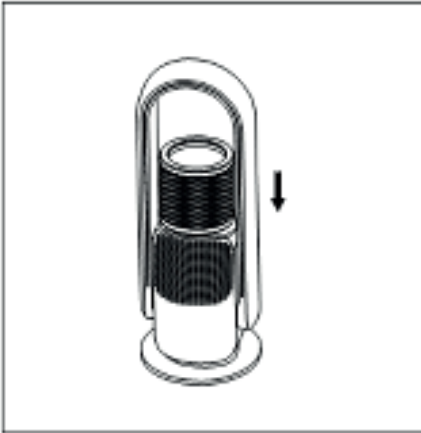
Filter Replacement



Lift out Top Cover.



Lift out the old air filter



Install new filter into the main body of the product.



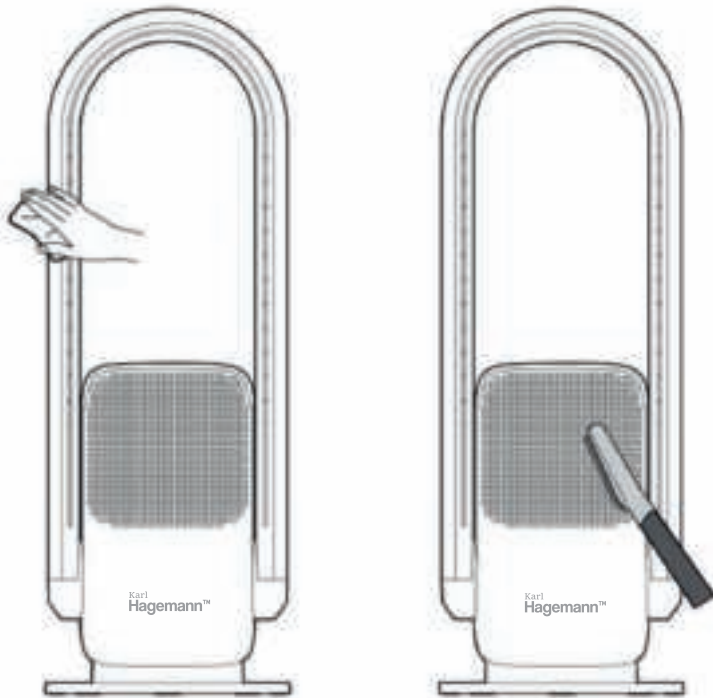
Reinstall Top Cover, the magnetic-lid will snap into place automatically.

Product Surface

- When cleaning the appliance, do not wet or splash water on the product, to avoid water entering and causing malfunctions.
- Do not use banana oil, benzine, alcohol, bleach or metal objects to wipe the surface of the appliance, which may damage the surface or cause discoloration.
- Please use a soft dry cloth to lightly wipe the surface of the product.
- If the surface is very dirty, use a soft cloth and diluted mild detergent to clean, then wipe dry with a soft dry cloth.

Air Inlet & Air Outlet

Use a soft brush or vacuum cleaner to regularly clean off any dust accumulated on the Air Inlet and Outlet. Do not let dust build up as too much dust will reduce the efficiency of the product.



Product Surface

Remote Control

Gently wipe the surface of the remote control with a soft dry cloth. If the remote control will not be used for a prolonged period of time, please remove the battery inside to avoid battery consumption.

Power Plug

Use soft dry cloth to clean the power plug.

Storage

- After cleaning the product, put in plastic bag and store away.
 - Avoid storing in a place with vibration, a place heated or cooled by another appliance.
 - Avoid placing it in direct sunlight or in a hot and humid environment.
 - Keep this product out of reach of young children.
-

Technical Specification

Brand	Karl Hagemann™	
Model	B100 CleanCool	
Serie	B series	
Type	Aircooler	
Rated Power	35W	
Rated Voltage	DC 24V	
Product size	Depth	23.5 cm
	Length	23.5 cm
	Height	81 cm

SMART APP

Operating through Google Home

The Aircooler works with the Google Assistant, allowing you to control your device by using your Google Home devices, your Android or iPhone, or any other device with built-in Google Assistant support.

-
- 1 Open Google Home App by tapping the app icon on your device. Tap "Sign up" and choose one Google account that you already logged in on your mobile device. Find and tap "Settings" from Home page. And then tap "More Settings".
 - 2 Tap "Assistant". Tap "Home Control". Tap "+". Find "Smart Life" in the list. In the input window, select your Smart Life account's region type and input your account and password. The link tab will be highlighted.
 - 3 Tap "Link Now". After linked, select the Room (ex Living Room) where your Aircooler is located. This helps you identify the device when you want to cast to it.
 - 4 After then, your devices will be listed in the Home Control page and now you can control your Aircooler through Fan Home. And you can now activate Aircooler ON/OFF via voice instructions to Google Home Device.
 - 5 Now you can use your Google Home device to control your products using voice commands, e.g. :
"Hey Google, turn on the "device name"".
"Hey Google, turn off the "device name"".

"Hey Google, set the "device name" to 9 Speeds"
"Hey Google, increase / decrease the "device name" speed".

Operating through Smart Life

Download and install Smart Life APP.

Use your smart phone to scan the QR code below to download "Smart Life" App.



Or search "Smart Life" in either Apple Store or Google Play to download and install the App.

- 1** Run the "Smart Life" App and either register a new account or login with your existing account and password. You will need to add your Smart Aircooler to the same WiFi Router as your phone by following the below instructions.
- 2** Open the App and click "Add Device" or "+" to add device, select "Small Home Appliance" in the list of devices and tap "Aircooler" icon.
- 3** Make sure the power is connected to the appliance before using. Plug the appliance into an AC 240V~50Hz mains outlet. Press and hold the power button for 5 seconds. Ensure your phone is connected with your local 2.4GHz WIFI.
- 4** In OFF mode, press and hold the button for 5 seconds, the display will show "F" and until the "F" flashes rapidly. If not, try again. The network connection is abnormal if the indicator flashes slowly, please check the router or network configuration.
- 5** Click "Confirm light blinks rapidly". Type in your WiFi password and click "Confirm" to search device. Once the configuration is completed, the indicator light will stop blinking rapidly.
Note: If the Aircooler is failed to establish connection, make sure there is no special symbol in your WiFi name (it should only contain letters and numbers) and password, try again by repeating step 4 and step 5 to set it up.
- 6** Once connected, you can rename your Aircooler and select the Room (e.g. Living Room) where your Smart Aircooler is located. This helps you identify the device when you want to cast to it.
- 7** You can tap the "Power icon" to turn on/off the cooler. Sliding Press "the blue circle" to adjust the fan speed, Press "Oscillate" to adjust the Oscillation Press "Sleep", "Boost" or "Fresh" to select your want. Press "Time", to set 1 to 8 hours.

Operating through Amazon Alexa @ Echo dot

The Aircooler works seamlessly with Alexa to give you hands-free voice control.

-
- 1 Run the Alexa App and connect your Echo dot. Go to Home menu. Select "Skills" or "Skills & Games" in Home menu and search "Smart Life" in the search window. And then select "Smart Life" and tap "Enable" to enable the Smart Life skill.
 - 2 Select your country code and enter your "Smart Life" App Login and Password, then press the "Link Now" button. Choose "Smart Life" and tap "Link Now" again. And then press "Authorize" button. Wait until Alexa has been successful linked with Smart Life.
 - 3 Back to the menu, press the "Smart home" button and choose "Devices". And then press "Discover" button.
 - 4 Your device is connected successfully if you find the device in the Devices list. You can use your echo dot through Alexa to control your Smart Aircooler by voice now.
 - 5 Control your intelligent product via Amazon Alexa. When the accounts have been successfully linked, you can use your smart products via control the Amazon Alexa device by voice command, e.g .:

"Hi Alexa, turn on the "device name".

"Hi Alexa, turn off the "device name".

"Hi Alexa, set the "device name" to 9 speeds".

"Hi Alexa, increase / decrease the "device name" speed .

"Hello Alexa, increase / decrease the Speed of the "device name".

Note: Echo needs to discover your smart devices before it controls them. You can say "Alexa, discover devices" to Alexa. Alexa will discover devices in about 20 seconds.

OPERATION MANUAL
MANUEL D'UTILISATION
HANDLEIDING

B

100



IMPORTANTES CONSIGNES DE SÉCURITÉ
AVANT TOUTE UTILISATION DE CET APPAREIL, VEUILLEZ LIRE
ATTENTIVEMENT TOUTES LES INSTRUCTIONS ET MISES EN
GARDE FIGURANT DANS CE MANUEL ET SUR L'APPAREIL.

AVERTISSEMENT

Ces avertissements sont applicables à l'appareil, à tous les outils, accessoires, chargeurs ou adaptateurs secteur. Afin de réduire les risques d'incendie, de chocs électriques et/ou de blessures:

1. Cette machine Hagemann convient aux enfants à partir de 8 ans et aux personnes ayant des capacités physiques ou de raisonnement réduites, ou manquant d'expérience et de connaissances pouvant utiliser l'appareil sous la surveillance d'une personne responsable. Le nettoyage et l'entretien ne doivent pas être effectués par des enfants.
2. Ne pas laisser l'appareil être utilisé comme un jouet. Une attention particulière est nécessaire lorsqu'il est utilisé par ou à proximité des enfants.
3. Veuillez recourir à une prise de courant séparée en fonction du courant / de la tension du ventilateur. Ne pas utiliser une prise polyvalente pour l'utilisation simultanée d'autres appareils électriques.
4. Si l'appareil ne fonctionne pas en raison d'un cordon d'alimentation endommagé, coupez l'alimentation et contactez le service clientèle de Hagemann. Ne pas utiliser la machine autrement que comme décrit dans ce manuel officiel Karl Hagemann. N'effectuez aucun entretien autre que celui indiqué dans ce manuel ou conseillé par le service d'assistance téléphonique de Hagemann.
5. Ne pas déplacer l'appareil lorsque vous retirez la fiche de la prise.
6. Ne pas débrancher en tirant sur le câble. Pour débrancher, saisissez la fiche et non le câble. L'utilisation d'une rallonge n'est pas recommandée.
7. Ne pas faire fonctionner le ventilateur avec un câble ou un connecteur endommagé. Veuillez contacter le service client pour remplacer ou réparer le câble si celui-ci est endommagé.
8. Ne pas tendre ou mettre le câble sous tension. Gardez le câble à l'écart de toute source de chaleur.
9. Convient uniquement aux endroits secs. Tenir à l'écart des surfaces humides et ne pas utiliser à l'extérieur. Ne pas l'exposer à l'eau ou à la pluie.
10. Ne pas faire passer le câble sous les tapis, ne pas le recouvrir de tapis ou de couvertures similaires. Faites passer le câble en dehors de la zone de circulation pour éviter les accidents.
11. Éteignez toutes les commandes avant de débrancher la fiche et débranchez la fiche de la prise si vous ne comptez pas utiliser l'appareil pendant une longue période.
12. Ne pas placer d'objets sur l'entrée ou la sortie d'air. Assurez-vous que les ouvertures de ventilation sont exemptes de poussière, de peluches, de cheveux et d'autres éléments qui pourraient réduire le flux d'air.
13. Le ventilateur ne doit pas être posé sur une plate-forme horizontale et ne doit pas se trouver à proximité de sources de chaleur, d'air corrosif et d'humidité. Le ventilateur doit être maintenu à une distance de 15 cm autour pour assurer une bonne circulation de l'air.
14. Portez toujours l'appareil par le socle, ne le portez pas par l'amplificateur de boucle.
15. Ne pas plonger le rafraîchisseur d'air, le cordon d'alimentation ou la fiche dans l'eau ou d'autres liquides pour éviter tout danger. L'utilisation d'une rallonge n'est pas recommandée.
16. Ne pas utiliser un purificateur d'air ou un produit similaire juste à côté de l'appareil. Gardez les huiles essentielles et les produits chimiques loin de l'appareil.

17. Ne pas utiliser de produits de nettoyage ou de lubrifiants pour ce ventilateur et débrancher la fiche d'alimentation avant de nettoyer, déplacer et/ou entretenir l'appareil.
18. Risque de suffocation - La télécommande contient une petite pile. Gardez la télécommande hors de portée des enfants en bas âge et n'avez pas la pile. En cas d'ingestion de la pile, consultez immédiatement un médecin.



AVERTISSEMENT

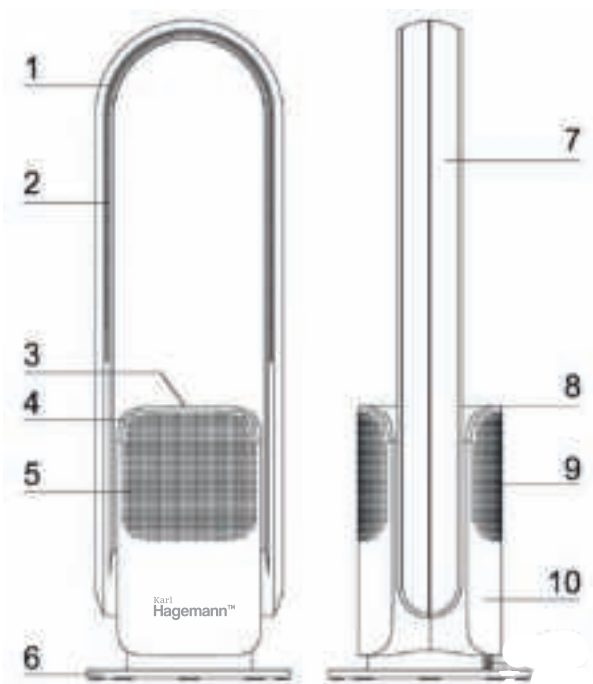
L'appareil et la télécommande contiennent tous deux des aimants.

1. Les stimulateurs cardiaques et les défibrillateurs peuvent être affectés par des champs magnétiques puissants. Si vous ou un membre de votre famille porte un stimulateur cardiaque ou un défibrillateur, évitez de placer la télécommande dans une poche ou à proximité de l'appareil.
2. Les cartes de crédit et les supports de stockage électroniques peuvent également être affectés par les aimants et doivent être tenus à l'écart de la télécommande et du dessus de l'appareil.



STRUCTURE DU PRODUIT

1. Conduit d'Air
2. Sortie d'Air
3. Affichage LED
4. Couvercle Supérieur
5. Entrée d'Air
6. Socle
7. Conduit d'Air
8. Couvercle Supérieur
9. Entrée d'Air
10. Corps
11. Adaptateur Secteur

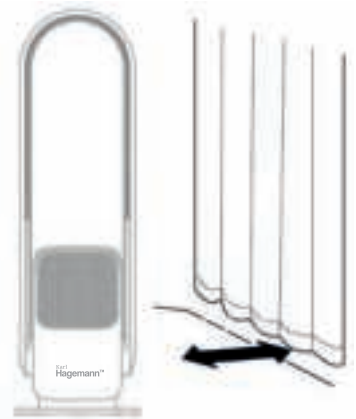


11



DÉMARRER

1. Veuillez mettre l'appareil sur une surface plane et stable. Évitez de le poser sur une surface instable (telle qu'une surface inclinée ou molle) pour éviter qu'il ne se renverse. Ne pas utiliser l'appareil dans des endroits chauds et humides (comme la salle de bain ou la cuisine).
2. Évitez de bloquer l'entrée et la sortie d'air en cours d'utilisation de l'appareil. Tenez l'appareil éloigné des rideaux, afin qu'ils ne bloquent pas l'entrée/sortie d'air et n'entravent pas le flux d'air.
3. Ne pas placer d'objets à moins d'un mètre devant la Sortie d'Air pour s'assurer que le flux d'air ne sera pas réduit.



Remplacement de la Batterie

1. Veuillez retirer la feuille d'isolation avant d'utiliser la télécommande.
2. Méthode de remplacement de la batterie: comme indiqué sur la photo. Veuillez noter le sens de la batterie



AVERTISSEMENT

1. Lorsque la télécommande n'est pas utilisée pendant une période prolongée, veuillez retirer la pile.
2. La batterie n'est pas rechargeable. N'essayez pas de la recharger.
3. La télécommande et la pile ne sont pas des jouets. Veuillez les garder hors de portée des enfants.
4. En cas d'ingestion de la pile, veuillez consulter immédiatement un médecin.

MODE D'EMPLOI

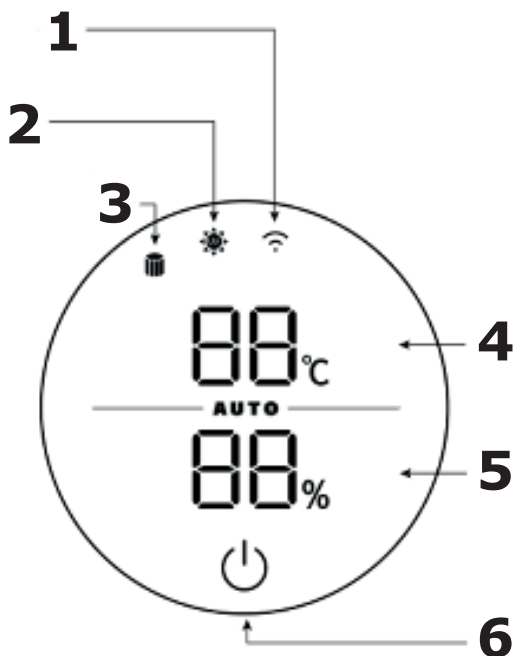
Réglage de l'Angle du Conduit d'Air

Avant de régler l'angle du conduit d'air, veuillez vous assurer que le produit est éteint. Tenez le corps d'une main et réglez le conduit d'air de 15° en avant ou en arrière. Allumez et Eteignez

1. Brancher à la source d'alimentation, et le refroidisseur d'air entrera en mode veille.
2. Appuyez sur la touche On/Off, le buzzer émet un bip et le produit commence à fonctionner.
3. Pour éteindre l'appareil, appuyez sur On/Off pendant 2 secondes. Le buzzer émet deux bips et l'appareil s'éteint. Lorsque le buzzer émet un seul bip, le rafraîchisseur d'air s'arrête de fonctionner, mais il ne s'éteint pas.



Affichage LED



1. Témoin lumineux du Wi-Fi
2. Voyant lumineux de désinfection par UV-C
3. Alerte de Remplacement du Filtre
4. Affichage de la Température / Mode AUTO
5. Affichage des Paramètres et de l'Humidité
6. Mise en Marche/Arrêt

Icônes d'Affichage LED



Bouton On/Off

- Appuyez pour allumer le produit.
- Appuyez à plusieurs reprises pour régler le volume d'air.
- Appuyez 1 seconde pour activer et désactiver l'oscillation.
- Appuyez 2 secondes pour éteindre l'appareil.
- Appuyez longuement pendant 5 secondes pour connecter le produit au système de contrôle de l'application du smartphone.



Témoin Lumineux d'Alerte de Remplacement du Filtre

Après environ 720 heures de fonctionnement, l'indicateur de remplacement du filtre s'allume, indiquant que le filtre doit être remplacé. Après le remplacement du filtre, appuyez longuement sur la télécommande pendant 5 secondes, l'indicateur s'éteint et le produit entre dans un



Voyant Lumineux de Désinfection par UV-C

Lorsque la fonction de désinfection par UV-C est activée par la télécommande, l'indicateur s'allume. Les UV-C s'éteignent automatiquement après une heure.



Témoin Lumineux du Wi-Fi

Appuyez longuement sur l'écran LED pendant 5 secondes, l'indicateur clignote, l'utilisateur peut alors contrôler le produit via l'application du smartphone. Lorsque la connexion à l'application est réussie, l'indicateur s'allume.



Affichage de la Température

Mode Air Frais, l'écran s'allume en blanc.



Réglages et Affichage de l'Humidité

Il indique le réglage et le taux d'humidité actuels.



Attention!

Lors du fonctionnement du refroidisseur d'air Hagemann B100, les phénomènes suivants peuvent se produire:

1. L'appareil peut répondre à la télécommande d'autres appareils.
2. D'autres produits peuvent être sensibles à la télécommande reçue. Ceci est dû au chevauchement des fréquences des télécommandes. Pour éviter toute interférence, éloignez cette télécommande d'autres appareils électriques pendant son fonctionnement.
3. Le bouton On/Off de la télécommande ne permet pas de couper complètement l'alimentation de ce produit. Si le produit ne sera pas utilisé pendant une période prolongée, veuillez débrancher le cordon d'alimentation de la prise.

Télécommande

1. Allumer/Éteindre

- En mode veille, appuyer une fois pour mettre l'appareil en marche.
- Lorsque l'appareil fonctionne, appuyez une fois sur cette touche et le rafraîchisseur d'air s'éteindra et reviendra en mode veille.

2. Oscillation

- Appuyez une fois pour activer la fonction d'oscillation, l'angle d'oscillation est de $80^{\circ} \pm 5^{\circ}$.
- Appuyez à nouveau pour désactiver la fonction d'oscillation.

3. Mode AUTO

Appuyez sur ce bouton pour lancer la fonction AUTO. La vitesse de l'air sera modifiée en fonction de la température de la pièce.

4. Stérilisation par UV

- Appuyez une fois pour activer la fonction de stérilisation par UV.
- Appuyez à nouveau sur cette touche pour désactiver la fonction de stérilisation par UV (la fonction de stérilisation par UV s'éteint automatiquement après une heure de fonctionnement).

5. Mode Turbo

Mode Max : l'écran numérique affiche "HH" et la vitesse du vent devient maximale.

6. Mode de Minuterie

Appuyez sur cette touche pour régler la durée du compte à rebours avant l'arrêt de l'appareil (1 à 8 heures). Lorsque le compte à rebours est terminé, l'appareil s'arrête automatiquement.

7. Mode veille

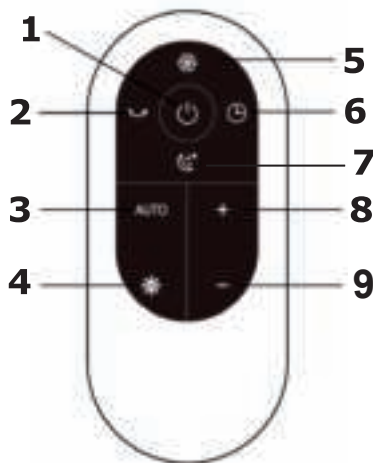
Appuyez sur ce bouton pour régler le débit d'air sur doux.

8. Volume d'air +

- Appuyez sur + pour augmenter le débit d'air.
- Le ventilateur possède 9 niveaux de débit d'air.

9. Volume d'air -

- Appuyez - pour diminuer le débit d'air.
- Le ventilateur possède 9 niveaux de débit d'air.



REMARQUE

La télécommande doit être dirigée directement vers le récepteur de signaux sur le panneau d'affichage de l'appareil pour maximiser la réception de la télécommande.

NETTOYAGE ET ENTRETIEN

Débranchez l'alimentation électrique avant de procéder à l'entretien.

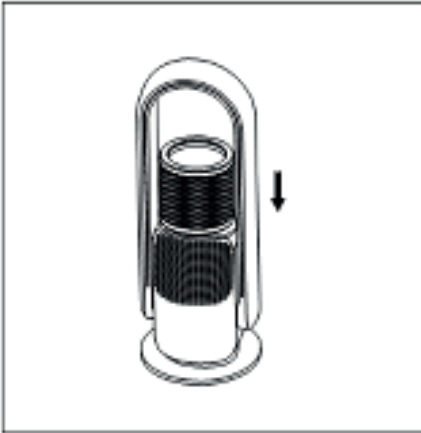
Remplacement du Filtre



Soulever le couvercle supérieur.



Retirez l'ancien filtre à air.



Installez le nouveau filtre dans le système principal.



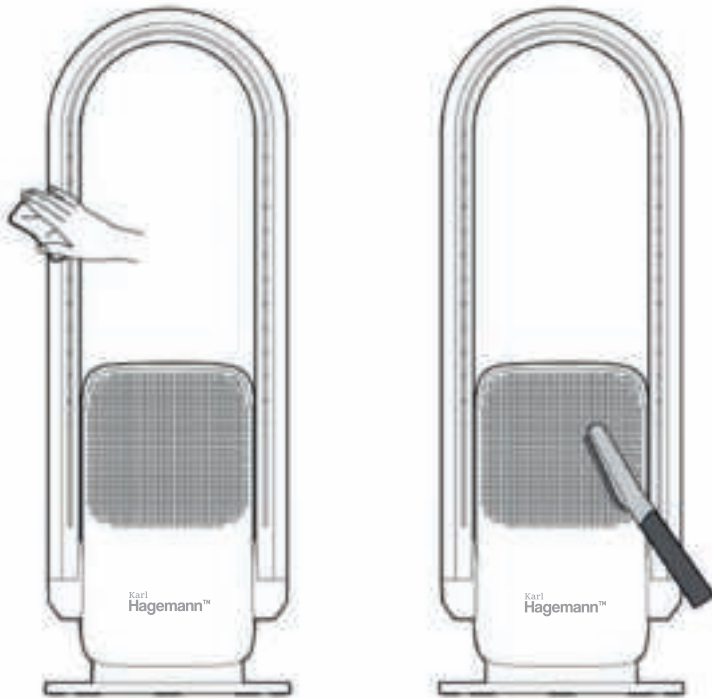
Remettez le couvercle supérieur en place, le couvercle magnétique s'enclenchera automatiquement.

Surface du Produit

- Lorsque vous nettoyez l'appareil, ne le mouillez pas et ne l'éclaboussez pas d'eau, afin d'éviter que l'eau ne pénètre et ne provoque des dysfonctionnements.
- Ne pas utiliser d'huile de banane, de benzine, d'alcool, d'agent de blanchiment ou d'objets métalliques pour essuyer la surface de l'appareil, ce qui pourrait endommager la surface ou provoquer une décoloration.
- Veuillez utiliser un chiffon doux et sec pour essuyer légèrement la surface du produit.
- Si la surface est très sale, utilisez un chiffon doux et un détergent doux dilué pour la nettoyer, puis essuyez-la avec un chiffon doux et sec.

Entrée d'Air et Sortie d'Air

Utilisez une brosse douce ou un aspirateur pour nettoyer régulièrement la poussière accumulée sur l'entrée et la sortie d'air. Ne laissez pas la poussière s'accumuler car un excès de poussière réduirait l'efficacité du produit.



Surface du Produit

Surface du Produit

Essayez délicatement la surface de la télécommande avec un chiffon doux et sec. Si la télécommande n'est pas utilisée pendant une période prolongée, veuillez retirer la pile à l'intérieur pour éviter qu'elle ne s'use.

Fiche d'Alimentation

Utilisez un chiffon doux et sec pour nettoyer la fiche d'alimentation.

Rangement

- Après avoir nettoyé le produit, mettez-le dans un sac en plastique et rangez-le.
 - Évitez de le ranger dans un endroit exposé à des vibrations, un endroit chauffé ou refroidi par un autre appareil.
 - Évitez de l'exposer aux rayons directs du soleil ou de le placer dans un environnement chaud et humide.
 - Gardez ce produit hors de portée des jeunes enfants.
-

Spécifications Techniques

Marque	Karl Hagemann™	
Modèle	B100 CleanCool	
Série	Série B	
Type	Refroidisseur d'Air	
Puissance Nominale	35W	
Tension Nominale	DC 24V	
Taille du Produit	Profondeur	23.5 cm
	Longueur	23.5 cm
	Hauteur	81 cm

APPLICATION INTELLIGENTE

Fonctionnement via Google Home

Le refroidisseur d'air fonctionne avec l'Assistant Google, ce qui vous permet de contrôler votre appareil en utilisant vos appareils Google Home, votre Android ou votre iPhone, ou tout autre appareil avec un support intégré de l'Assistant Google.

-
- 1** Ouvrez l'application Google Home en appuyant sur l'icône de l'application sur votre appareil. Appuyez sur "S'inscrire" et choisissez un compte Google auquel vous êtes déjà connecté sur votre appareil mobile. Trouvez et appuyez sur "Paramètres" sur la page d'accueil. Puis appuyez sur "Autres paramètres"..
 - 2** Appuyez sur "Assistant". Appuyez sur "Contrôle de l'Accueil". Appuyez sur "+". Trouvez "Smart Life" dans la liste
 - 3** Appuyez sur "Jumer Maintenant". Une fois le jumelage effectué, sélectionnez la pièce (par exemple, le salon) où se trouve votre refroidisseur d'air. Cela vous aidera à identifier l'appareil lorsque vous voudrez le diffuser.
 - 4** Ensuite, vos appareils seront listés dans la Page de Contrôle de l'Accueil et vous pouvez maintenant contrôler votre refroidisseur d'air via Accueil du Ventilateur. Et vous pouvez maintenant activer ou désactiver le refroidisseur d'air par des instructions vocales à l'appareil Google Home.
 - 5** Vous pouvez désormais utiliser votre appareil Google Home pour contrôler vos produits à l'aide de commandes vocales, par ex.:
"Hey Google, activez le "nom de l'appareil"
"Hey Google, désactivez le "nom de l'appareil".
"Hey Google, définissez le "nom de l'appareil" à 9 vitesses"
"Hey Google, augmentez / diminuez la vitesse du "nom de l'appareil".

Fonctionner grâce à Smart Life

Téléchargez et installez l'application Smart Life.

Utilisez votre téléphone intelligent pour scanner le code QR ci-dessous afin de télécharger l'application "Smart Life".



Ou recherchez "Smart Life" dans l'Apple Store ou le Google Play pour télécharger et installer l'application.

- 1** Lancez l'application "Smart Life" et enregistrez un nouveau compte ou connectez-vous avec votre compte et votre mot de passe existants. Vous devrez ajouter votre Smart Aircooler au même routeur WiFi que votre téléphone en suivant les instructions ci-dessous.
- 2** Ouvrez l'application et cliquez sur "Ajouter un appareil" ou "+" pour ajouter un appareil, sélectionnez "Petit Appareil Domestique" dans la liste des appareils et appuyez sur l'icône " Refroidisseur d'Air ".
- 3** Assurez-vous que l'appareil est branché avant de l'utiliser. Branchez l'appareil sur une prise secteur de 240V~50Hz. Appuyez sur le bouton d'alimentation et maintenez-le enfoncé pendant 5 secondes. Assurez-vous que votre téléphone est connecté à votre WIFI 2.4GHz local.
- 4** En mode OFF, appuyez sur le bouton pendant 5 secondes, l'écran affiche "F" et jusqu'à ce que le "F" clignote rapidement. Si ce n'est pas le cas, essayez à nouveau. Le réseau affiche "F" et jusqu'à ce que le "F" clignote rapidement. Si ce n'est pas le cas, essayez à nouveau. Le routeur du réseau ou la configuration du réseau.
- 5** Cliquez sur "Confirmer le clignotement rapide de la lumière" Saisissez votre mot de passe WiFi et cliquez sur "Confirmer" pour rechercher l'appareil. Une fois la configuration terminée, le voyant lumineux cesse de clignoter rapidement.
Remarque: Si le refroidisseur d'air ne parvient pas à établir la connexion, assurez-vous qu'il n'y a pas de symbole spécial dans la fenêtre de connexion. Votre nom WiFi (il ne doit contenir que des lettres et des chiffres) et votre mot de passe. Réessayez en répétant les étapes 4 et 5 pour le configurer.
- 6** Une fois connecté, vous pouvez renommer votre refroidisseur d'air et sélectionner la pièce (par exemple, le salon) où se trouve votre refroidisseur d'air intelligent. Cela vous aidera à identifier l'appareil lorsque vous voudrez le faire fonctionner.
- 7** Vous pouvez appuyer sur "l'icône d'alimentation" pour allumer/éteindre le refroidisseur Appuyez sur "le cercle bleu" pour régler la vitesse du ventilateur, appuyez sur "Oscillation"-pour régler l'oscillation. Appuyez sur "Veille", " Boost " ou " Fraîcheur " pour, pour régler de 1 à 8 heures.

Fonctionnement via Amazon Alexa @ Echo dot

Le refroidisseur d'air fonctionne de manière transparente avec Alexa pour vous offrir un contrôle vocal mains libres.

-
- 1 Lancez l'application Alexa et connectez votre Echo dot. Allez dans le menu Accueil. Sélectionnez " Aptitudes " ou " Aptitudes et jeux " dans le menu Accueil et recherchez " Smart Life " dans la fenêtre de recherche. Sélectionnez ensuite "Smart Life" et appuyez sur "Activer" pour activer la compétence Smart Life.
 - 2 Sélectionnez votre code de pays et entrez votre identifiant et votre mot de passe pour l'application "Smart Life", puis appuyez sur le bouton " Jumeler Maintenant ". Choisissez "Smart Life" et appuyez à nouveau sur " Jumeler Maintenant ". Puis appuyez sur le bouton "Autoriser". Attendez qu'Alexa ait été jumelé avec Smart Life.
 - 3 Retournez au menu, appuyez sur le bouton "Smart home" et choisissez " Appareils ". Puis appuyez sur le bouton "Découvrir".
 - 4 Votre appareil est connecté avec succès si vous trouvez l'appareil dans la liste des appareils. Vous pouvez utiliser votre echo dot via Alexa pour contrôler votre Refroidisseur d'Air Intelligent par la voix maintenant.
 - 5 Contrôlez votre produit intelligent via Amazon Alexa. Lorsque les comptes ont été liés avec succès, vous pouvez utiliser vos produits intelligents via le contrôle de l'appareil Amazon Alexa par commande vocale, par exemple

"Bonjour Alexa, allume le "nom de l'appareil".

"Bonjour Alexa, éteint le "nom de l'appareil".

"Bonjour Alexa, réglez le "nom de l'appareil" sur 9 vitesses ".

"Bonjour Alexa, augmenter / diminuer la vitesse du "nom de l'appareil" .

"Bonjour Alexa, augmenter / diminuer la vitesse du "nom de l'appareil".

Remarque : Echo doit découvrir vos appareils intelligents avant de les contrôler. Vous pouvez dire "Alexa, découvrir les appareils" à Alexa. Alexa découvrira les appareils en 20 secondes environ.

**OPERATION MANUAL
MANUEL D'UTILISATION
HANDLEIDING**

B

100



BELANGRIJKE VEILIGHEIDSINSTRUCTIES
ALVORENS DIT APPARAAT TE GEBRUIKEN LEES ALLE
INSTRUCTIES EN WAARSCHUWINGSMARKERINGEN IN DEZE
HANDLEIDING EN OP HET APPARAAT.

WAARSCHUWING

Deze waarschuwingen zijn van toepassing op het apparaat, op alle gereedschappen, accessoires, laders of netadapters. Om het risico te verminderen op brand, elektrische schokken en/of verwondingen:

1. De Hagemann luchtkoeler kan worden gebruikt door kinderen vanaf 8 jaar en ouder. Personen met verminderde lichamelijke, redeneervermogen of een gebrek aan ervaring en kennis kan het apparaat alleen worden gebruikt onder toezicht van een verantwoordelijke persoon. Reiniging en onderhoud mogen niet door kinderen worden uitgevoerd.
2. Laat de Hagemann luchtkoeler niet als speelgoed worden gebruikt. Let goed op bij gebruik door of in de buurt van kinderen.
3. Gebruik een apart stopcontact in overeenstemming met de stroom/spanning van de ventilator. Gebruik geen universeel stopcontact voor gelijktijdig gebruik met andere elektrische apparaten.
4. Als de Hagemann luchtkoeler niet werkt vanwege een beschadigd netsnoer, schakel dan de stroom uit en neem contact op met de Hagemann klanten service. Gebruik het apparaat alleen zoals beschreven in deze handleiding. Voer geen ander onderhoud uit dan aangegeven in deze handleiding of op advies van de Hagemann hulplijn.
5. Verplaats het apparaat niet als u de stekker uit het stopcontact trekt.
6. Trek de stekker niet uit het stopcontact door aan de kabel te trekken. Pak de stekker vast en niet de kabel om de stekker uit het stopcontact te halen. Het gebruik van een verlengsnoer wordt niet aanbevolen.
7. Gebruik de ventilator niet met een beschadigde kabel of connector. Neem contact op met de klantenservice om de kabel te vervangen of te repareren als de kabel beschadigd is.
8. Rek de kabel niet uit en zet hem niet onder spanning. Houd de kabel uit de buurt van elke warmtebron.
9. Alleen geschikt voor droge plaatsen. Verwijderd houden van natte oppervlakken en niet buiten het huis gebruiken. Stel het niet bloot aan water of regen.
10. Laat de kabel niet onder tapijten lopen, bedek hem niet met tapijten of soortgelijke hoezen. Leg de kabel buiten het loop gebied in het huis om ongelukken te voorkomen.
11. Schakel alle bedieningselementen uit voordat u de stekker uit het stopcontact trekt en trek de stekker uit het stopcontact als u het apparaat voor langere tijd niet gaat gebruiken.
12. Plaats geen voorwerpen op de luchtinlaat of -uitlaat. Zorg ervoor dat de ventilatieopeningen vrij zijn van stof, pluïsjes, haar en andere obstakels die de luchtstroom kunnen verminderen.
13. De ventilator moet droog op een horizontaal platform worden opgesteld en mag zich niet in de buurt van warmtebronnen, corrosieve lucht en vocht bevinden. Het apparaat moet een afstand van 15cm om zich heen hebben voor een goede luchtcirculatie.
14. Draag het apparaat altijd bij de basis, niet bij de lucht in-/uitlaat.
15. Dompel het apparaat, het netsnoer of de stekker niet onder in water of andere vloeistoffen om gevaar te voorkomen. Het gebruik van een verlengsnoer wordt niet aanbevolen.
16. Gebruik geen luchtfilter of soortgelijk product direct naast het apparaat. Houd etherische oliën en chemicaliën uit de buurt van het apparaat.

17. Gebruik geen reinigings- of smeermiddelen voor dit apparaat en trek de stekker uit het stopcontact voordat u het apparaat reinigt, verplaatst en/of onderhoudt.
18. Verstikkingsgevaar - De afstandsbediening bevat een kleine batterij. Houd de afstandsbediening uit de buurt van minderjarige kinderen en slik de batterij niet in. Zoek onmiddellijk medische hulp als de batterij wordt ingeslikt.



WAARSCHUWING

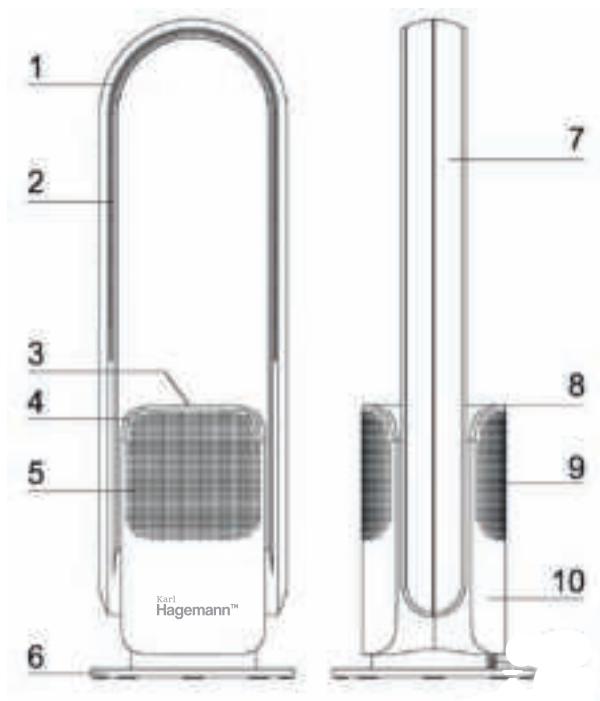
HET APPARAAT EN DE AFSTANDBEDIENING BEVATTEN BEIDE MAGNETEN.

1. Pacemakers en defibrillatoren kunnen worden beïnvloed door sterke magnetische velden. Als u of iemand in uw huishouden een pacemaker of defibrillator heeft, plaats de afstandsbediening dan niet in uw zak of in de buurt van het apparaat.
2. Creditcards en elektronische opslagmedia kunnen ook worden beïnvloed door magneten en moeten uit de buurt van de afstandsbediening en de bovenkant van het apparaat worden gehouden.



PRODUCT STRUCTUUR

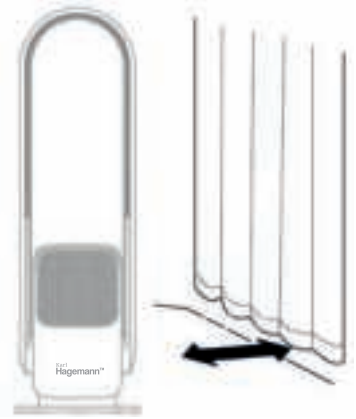
1. Luchtkanaal
2. Luchtuitlaat
3. LED-scherm
4. Bovenklep
5. Luchtinlaat
6. Basis
7. Luchtkanaal
8. Bovenklep
9. Luchtinlaat
10. Lichaam
11. Stroomadapter





GEBRUIK PRODUCT

1. Plaats het apparaat op een stabiele, vlakke ondergrond. Plaats het niet op een onstabiel oppervlak (zoals een schuin of zacht oppervlak) om te voorkomen dat het omvalt. Gebruik het niet in warme en vochtige ruimtes (zoals badkamer en keuken).
2. Voorkom het blokkeren van de luchtinlaat en luchtuitlaat wanneer het apparaat in gebruik is. Houd het apparaat uit de buurt van gordijnen, zodat ze de inlaat en uitlaat niet blokkeren en de luchtstroom belemmert.
3. Plaats objecten niet binnen 1 meter voor de luchtuitlaat zodat de luchtstroom niet wordt verminderd.



Vervangen van batterij

1. Verwijder het isolerende vel alvorens het gebruik van de afstandsbediening.
2. Batterijvervangingsmethode: zoals weergegeven in de afbeelding. Let op de batterijrichting.



LET OP

1. Wanneer de afstandsbediening gedurende lange tijd niet wordt gebruikt, verwijder de batterij.
2. De batterij is niet oplaadbaar. Probeer niet de batterij op te laden.
3. Afstandsbediening en batterijen zijn geen speelgoed. Houd ze buiten het bereik van kinderen.
4. Als de batterij per ongeluk wordt ingeslikt, neem dan onmiddellijk medische hulp onmiddellijk.

GEBRUIKSAANWIJZING

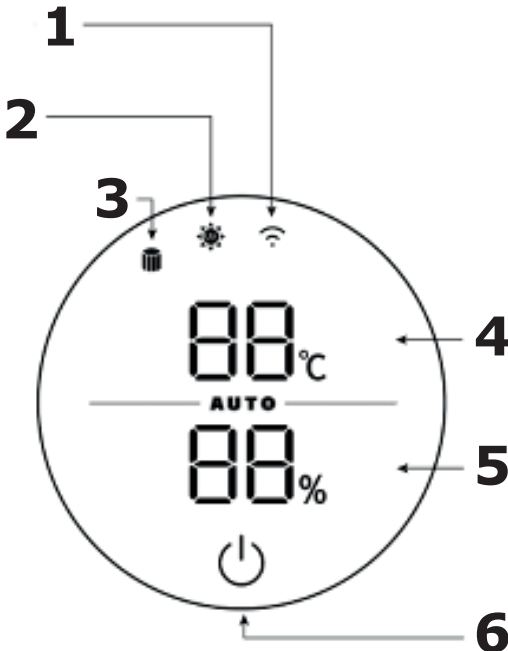
Instelling hoek luchtkanaal

Zorg ervoor dat het product is uitgeschakeld voordat u de hoek van het luchtkanaal aanpast. Houd het lichaam met één hand vast en draai het luchtkanaal 15 ° naar voren of naar achteren. Schakel AAN en UIT

1. Sluit de stroombron, en de Hagemann luchtkoeler zal in de stand-by modus gaan.
2. Druk op Aan/Uit. De zoemer piept één keer en het product begint te werken.
3. Om het apparaat uit te schakelen, drukt u 2 seconden op Aan/Uit. Als de zoemer twee keer piept, dan zal het apparaat worden uitgeschakeld. Wanneer de zoemer een keer piept dan zal het apparaat stoppen met werken, maar het zal niet worden uitgeschakeld.



LED Scherm



1. Wi-Fi indicatie status
2. UV-C desinfectie status
3. Filter aan vervanging toe
4. Temperatuur status / AUTO modus
5. Instelling & Luchtvochtigheid instellingen
6. Aan/uit status

LED-weergavepictogram



Aan/uit knop

- Druk om het product in te schakelen.
- Druk herhaaldelijk om het luchtvolume aan te passen.
- Druk 1 seconde om oscillatie in en uit te schakelen.
- Druk 2 seconden om het apparaat uit te schakelen.
- Houd 5 seconden lang ingedrukt om het product te verbinden met App Control op de smartphone.



Waarschuwingslampje voor filtervervangning

Na in totaal 720 bedrijfsuren, gaat het lampje branden om aan te geven dat het filter vervangen moet worden. Nadat het filter is vervangen, drukt u 5 seconden lang op de afstandsbediening om de waarschuwingslampje uit te schakelen en gaat het product in een nieuwe cyclus van 720 uur.



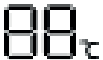
Indicatielampje UV-C-desinfectie

Wanneer de UV-C-desinfectiefunctie is ingeschakeld via de afstandsbediening, UV-C schakelt automatisch uit na 1 uur.



Wi-Fi-indicatielampje

Druk gedurende 5 seconden, het pictogram zal knipperen, de gebruiker kan het product vervolgens bedienen via de smartphone-app. Bij een succesvolle verbinding zal het pictogram constant branden.



Temperatuurweergave

Bij koele modus zal het pictogram wit licht branden.



Instellingen en vochtigheidsweergave

Dit geeft de huidige instelling en vochtigheidsgraad aan.



Attentie!

Bij het gebruik van de Hagemann B100 luchtkoeler kunnen de volgende verschijnselen optreden:

1. Het apparaat kan reageren op de afstandsbediening van andere apparatuur.
2. Andere producten kunnen reageren op de ontvangen signalen van de afstandsbediening. Dit komt door overlappende frequenties van de afstandsbedieningen. Om interferentie te vermijden, houdt de afstandsbediening gescheiden van elektrische apparaten tijdens gebruik.
3. De aan/uit-knop op de afstandsbediening verbreekt de stroomtoevoer naar dit product niet volledig. Als het product gedurende langere tijd niet zal worden gebruikt, trek dan de stekker uit het stopcontact.

Afstandsbediening

1. Turn On/Off

- In de stand-by modus druk eenmaal om het product in te schakelen.
- Wanneer het apparaat in werking is, drukt u eenmaal en het apparaat wordt uitgeschakeld en gaat in stand-by modus

2. Oscillatie

- Druk eenmaal om de oscillatiefunctie in te schakelen, de oscillatiehoek is $80^{\circ} \pm 5^{\circ}$.
- Druk nogmaals om de oscillatiefunctie uit te schakelen.

3. AUTO modus

- Druk op deze knop om de AUTO-functie te starten. De luchtsnelheid wordt gewijzigd op basis van een andere kamertemperatuur.

4. UV-C Sterilisatiefunctie

- Druk eenmaal om de UV-C-sterilisatiefunctie in te schakelen.
- Druk nogmaals om de UV-C-sterilisatiefunctie uit te schakelen
(UV Sterilisatie functie wordt automatisch uitgeschakeld na 1 uur).

5. Turbo Modus

Max-modus: het digitale display geeft "HH " weer en de windsnelheid wordt maximaal.

6. Timer Modus

Druk op deze knop om de aftellen om uit te schakelen in te stellen (1-8 uur). Wanneer de aftelling is voltooid, wordt het apparaat automatisch uitgeschakeld

7. Slaapstand

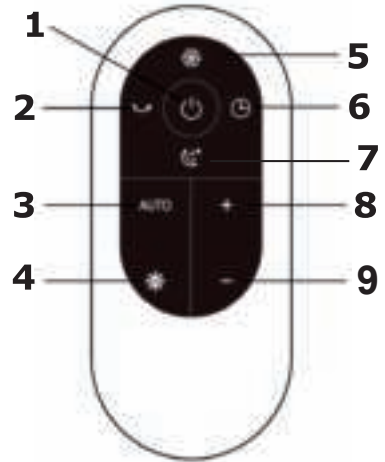
Druk op deze knop om de luchtstroom in te stellen op zacht.

8. Koelstand +

- Druk op + om de luchtstroom te verhogen.
- Het apparaat heeft 9 luchtstroomniveaus.

9. Koelstand -

- Druk op - om de luchtstroom te verlagen.
- Het apparaat heeft 9 luchtstroomniveaus.



Let op!

De afstandsbediening moet direct worden gericht op het signaalontvanger van het apparaat om ontvangst van de afstandsbediening te maximaliseren.

REINIGING EN ONDERHOUD

Haal de stekker uit het stopcontact voordat u onderhoud uitvoert.

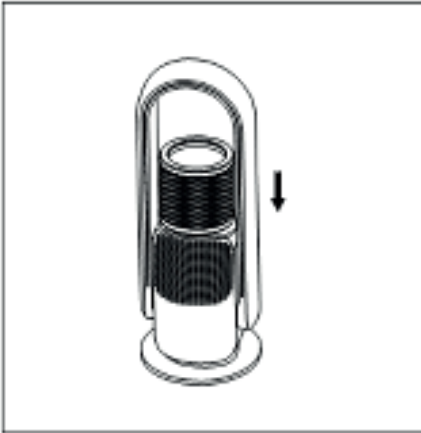
Filter vervangen



Til de bovenklep los.



Haal de vervuilde luchtfilter eruit.



Installeer de nieuwe filter in de behuizing.



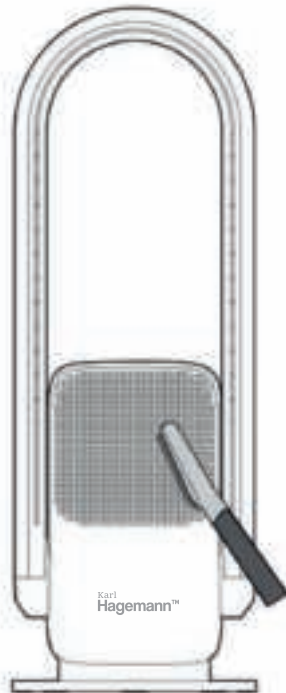
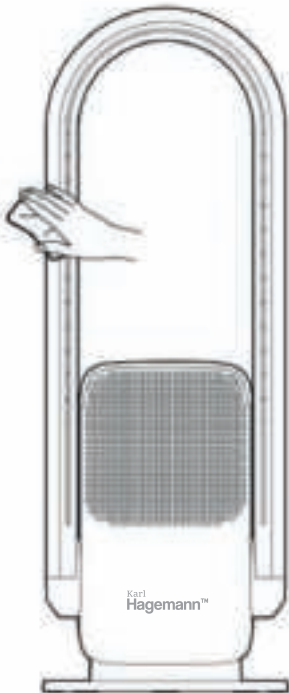
Plaats de bovenklep terug, het magnetische deksel zal automatisch op zijn plaats klikken.

Productoppervlak reinigen

- Bij het schoonmaken van het apparaat, bevochtig of spetter geen water op het product om te voorkomen dat er water in het apparaat komt en het een storing veroorzaakt.
- Gebruik geen bananenolie, benzine, alcohol, bleekmiddel of metalen voorwerpen om het oppervlak van het apparaat schoon te vegen, aangezien dit het oppervlak kan beschadigen of verkleuring kan veroorzaken.
- Gebruik een zachte, droge doek om het oppervlak van het product lichtjes af te vegen.
- Als het oppervlak erg vuil is, gebruik dan een zachte doek en een verdund mild schoonmaakmiddel om schoon te maken, en veeg het daarna droog met een zachte, droge doek.

Luchtin & uitlaat

Gebruik een zachte borstel of stofzuiger om regelmatig stof te verwijderen dat zich op de luchtinlaat en -uitlaat heeft verzameld. Zorg ervoor dat er zich geen stof ophoopt, aangezien te veel stof de efficiëntie van het product zal verminderen.



Productoppervlak reinigen

Afstandsbediening

Veeg het oppervlak van de afstandsbediening met een droge doek. Als de afstandsbediening niet zal worden gebruikt voor een langere tijd, verwijder dan de batterij batterijverbruik te voorkomen

Stekker

Gebruik een zachte, droge doek om de stekker te reinigen.

Opslag

- Doe het product na het reinigen in een plastic zak en berg het op.
 - Vermijd opslag op een plaats met trillingen, een plaats die verwarmd of gekoeld wordt door een ander apparaat.
 - Plaats het niet in direct zonlicht of in een warme en vochtige omgeving.
 - Bewaar dit product buiten het bereik van jonge kinderen.
-

Technische specificaties

Merk	Karl Hagemann™	
Model	B100 CleanCool	
Serie	B series	
Type	Aircooler	
Vermogen	35W	
Spanning	DC 24V	
Productafmetingen	Diepte	23.5 cm
	Lengte	23.5 cm
	Hoogte	81 cm

SMART APP

Bediening via Google Home

De Aircooler werkt met Google Assistent, zodat u uw apparaat kunt bedienen met uw Google Home-apparaten, uw Android of iPhone of elk ander apparaat met ingebouwde Google Assistent-ondersteuning. U zult genieten van naadloze, intuïtieve spraakbesturing voor deze slimme ventilator.

-
- 1 Open de Google Home-app door op het app-pictogram op uw apparaat te tikken. Tik op "Aanmelden" en kies een Google-account waarmee u al bent aangemeld op uw mobiele apparaat. Zoek en tik op "Instellingen" vanaf de startpagina. En tik vervolgens op "Meer instellingen".
 - 2 Tik op "Assistent". Tik op "Home Control". Tik op "+". Zoek "Smart Life" in de lijst. Selecteer in het invoervenster de regio van uw Smart Life-account en voer uw account en wachtwoord in. Het link tabblad wordt gemarkeerd.
 - 3 Tik op "Nu koppelen". Selecteer na het koppelen de kamer (bijv. woonkamer) waar uw slimme ventilator zich bevindt. Dit helpt u het apparaat te identificeren wanneer je ernaar wilt casten.
 - 4 Vervolgens, worden uw apparaten in de Home Control pagina vermeld en nu kunt u uw Smart air cooler bedienen via Fan Home. En u kunt nu uw Smart air cooler (de)activeren via gesproken instructies naar Google Home Device.
 - 5 Nu kunt u uw Google Home-apparaat gebruiken om uw producten te bedienen met spraakopdrachten, bijvoorbeeld:
 - “Hey Google, schakel de 'apparaatnaam' in”.
 - “Hey Google, schakel de 'apparaatnaam' uit”.
 - “Hey Google, stel de "apparaatnaam" in op 9 snelheden”.
 - “Hey Google, verhoog/verlaag de snelheid van "apparaatnaam””.

Bediening via Smart Life

Download en installeer de Smart Life APP.

Gebruik uw smartphone om de onderstaande QR-code te scannen om de "Smart Life" -app te downloaden.



Of zoek "Smart Life" in Apple Store of Google Play om de app te downloaden en te installeren.

- 1** Start de "Smart Life" app en registreer een nieuw account of log in met uw bestaande account en wachtwoord. U moet uw aircooler aan dezelfde WiFi router toevoegen als uw telefoon door de onderstaande instructies te volgen.
- 2** Open de app en klik op "Apparaat toevoegen" of "+" om een apparaat toe te voegen, selecteer " Small Home Appliance" in de lijst met apparaten en tik op het pictogram "Fan".
- 3** Zorg ervoor dat de stroom is aangesloten op het apparaat voordat u het gebruikt. Sluit het apparaat aan op een AC 240V ~ 50Hz stopcontact. Houd de aan/uit-knop 5 seconden ingedrukt. Zorg ervoor dat uw telefoon is verbonden met uw lokale 2,4 GHz wifi.
- 4** Houdt de UIT knop 5 seconden ingedrukt, het display zal "F" tonen en het zal snel knipperen. Als dit niet het geval is, probeer het dan opnieuw. De netwerkverbinding is abnormaal als de indicator langzaam knippert, dan kunt u de router of netwerkconfiguratie controleren.
- 5** Klik op "Bevestig dat het lampje snel knippert ". Typ uw Wifi wachtwoord en klik op "Bevestigen" om het apparaat te zoeken. Zodra de configuratie is voltooid, stopt het indicatielampje met snel knipperen.
Let op! Als de aircooler geen verbinding kan maken, zorg er dan voor dat er geen speciaal symbool in uw Wifi naam zit (het mag alleen letters en cijfers bevatten), probeer het vervolgens opnieuw door stap 4 en stap 5 te herhalen om het in te stellen.
- 6** Eenmaal verbonden, kunt u uw Smart Fan hernoemen en de kamer (bijv. Woonkamer) selecteren waar uw Smart Fan zich bevindt. Dit helpt je het apparaat te identificeren wanneer je ernaar wilt casten.
- 7** U kunt op het "Power-pictogram" tikken om het apparaat aan/uit te schakelen. Druk op "de blauwe cirkel" om de snelheid aan te passen. Druk op " Oscillate " om de oscillatie aan te passen. Druk op "Sleep", "Boost" of "Fresh" om uw wensen te selecteren. Druk op "Time" om 1 tot 8 uur werking in te stellen.

Bediening via Amazon Alexa @ Echo dot

De Aircooler werkt naadloos samen met Alexa om je handsfree spraakbesturing te geven.

-
- 1 Start de Alex app en verbind je Echo dot. Ga naar het hoofdmenu. Selecteer "Skills" of "Skills & Games" in het hoofdmenu en zoek "Smart Life" in het zoekvenster. Selecteer vervolgens "Smart Life" en tik op "Inschakelen" om de Smart Life vaardigheid in te schakelen.
 - 2 Selecteer uw landcode en voer uw aanmeldingsnaam en wachtwoord voor de "Smart Life" app in, druk vervolgens op de knop "Nu koppelen". Kies "Smart Life" en tik nogmaals op "Nu koppelen". Druk vervolgens op de knop "Autoriseren". Wacht tot Alexa succesvol is gekoppeld aan Smart Life.
 - 3 Ga terug naar het menu, druk op de knop "Smart home" en kies "Apparaten". En druk vervolgens op de knop "Ontdekken".
 - 4 Uw apparaat is succesvol verbonden als u het apparaat in de apparatenlijst vindt. U kunt uw Echo dot via Alexa gebruiken om uw apparaat nu met uw stem te bedienen.
 - 5 Wanneer de accounts succesvol zijn gekoppeld, kunt u uw slimme producten gebruiken door het Amazon Alexa-apparaat te bedienen met spraakopdrachten, bijvoorbeeld:

"Hallo Alexa, zet de "apparaatnaam" aan".

"Hallo Alexa, zet de 'apparaatnaam ' uit".

"Hallo Alexa, stel de "apparaatnaam" in op 9 snelheden".

"Hi Alexa, verhoog of verlaag de snelheid van "naam van het apparaat"".

Let op: Echo moet uw slimme apparaten ontdekken voordat deze ze bedient. Je kunt tegen Alexa zeggen "Alexa, ontdek apparaten". Alexa vindt apparaten in ongeveer 20 seconden. U kunt nu uw slimme apparaten bedienen via Echo.