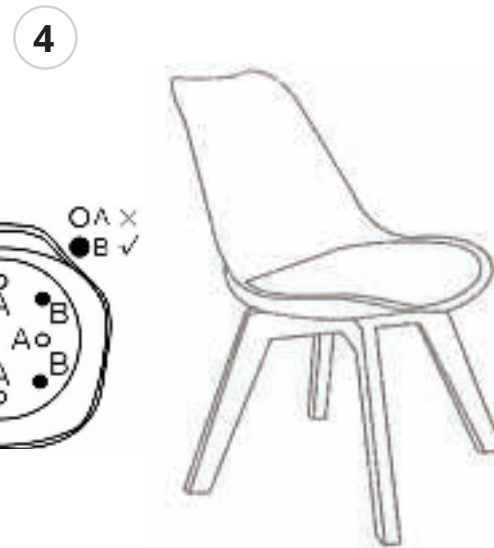
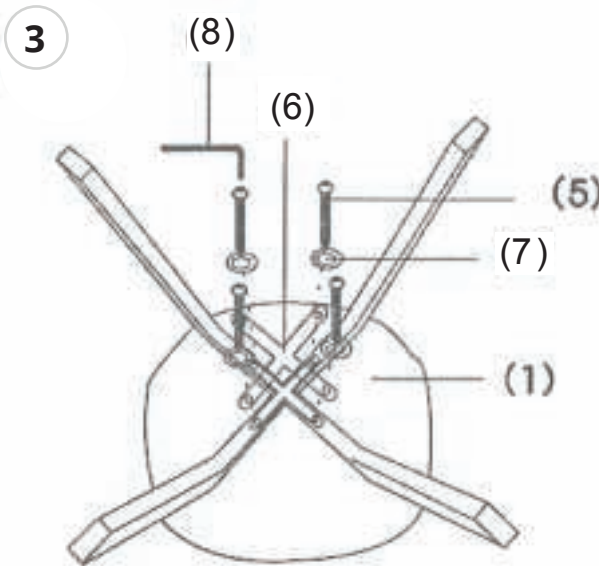
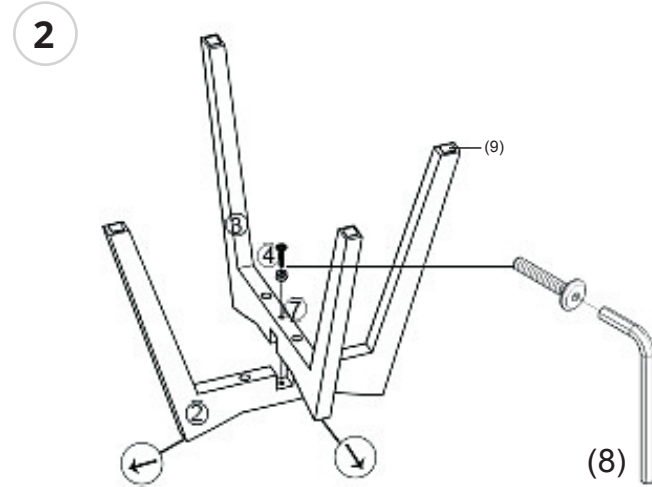
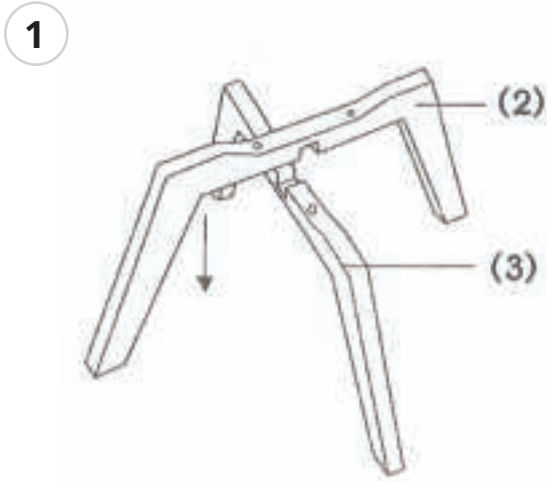


# Assembly instruction | Wooden base



## Included parts

1 x1	2 x1
3 x1	4 x1 (M6x35mm)
	5 x4 (M6x70mm)
6 x1	7 x5 (M6x12mm)
8 x1	9 x4

## Notes

- Tighten the screws gently. Then place the seat on a flat surface, check that the frame is firm and stable. Finally, tighten the screws.
- We recommend that you re-tighten the screws after a while for optimum retention of your seat.

