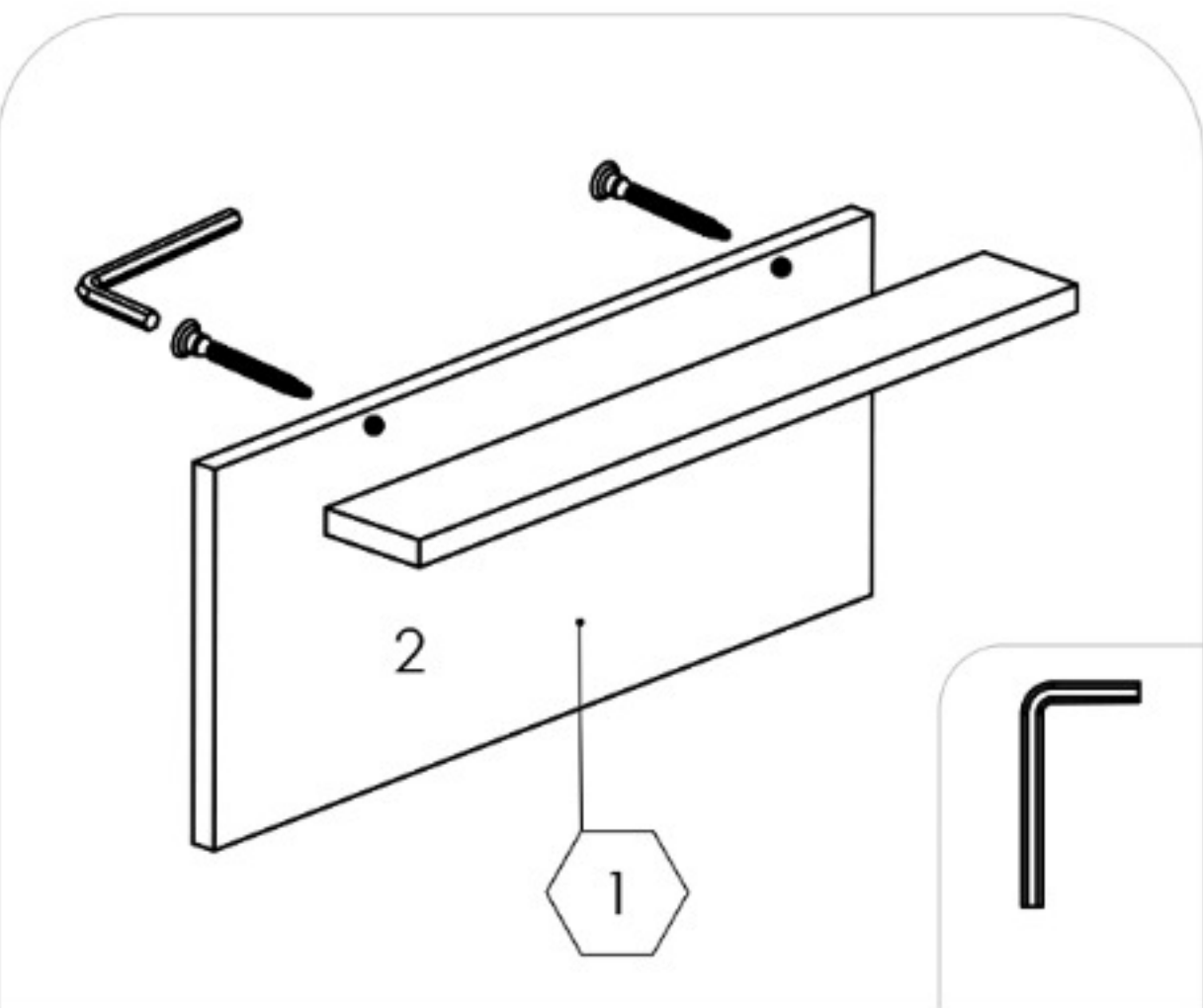
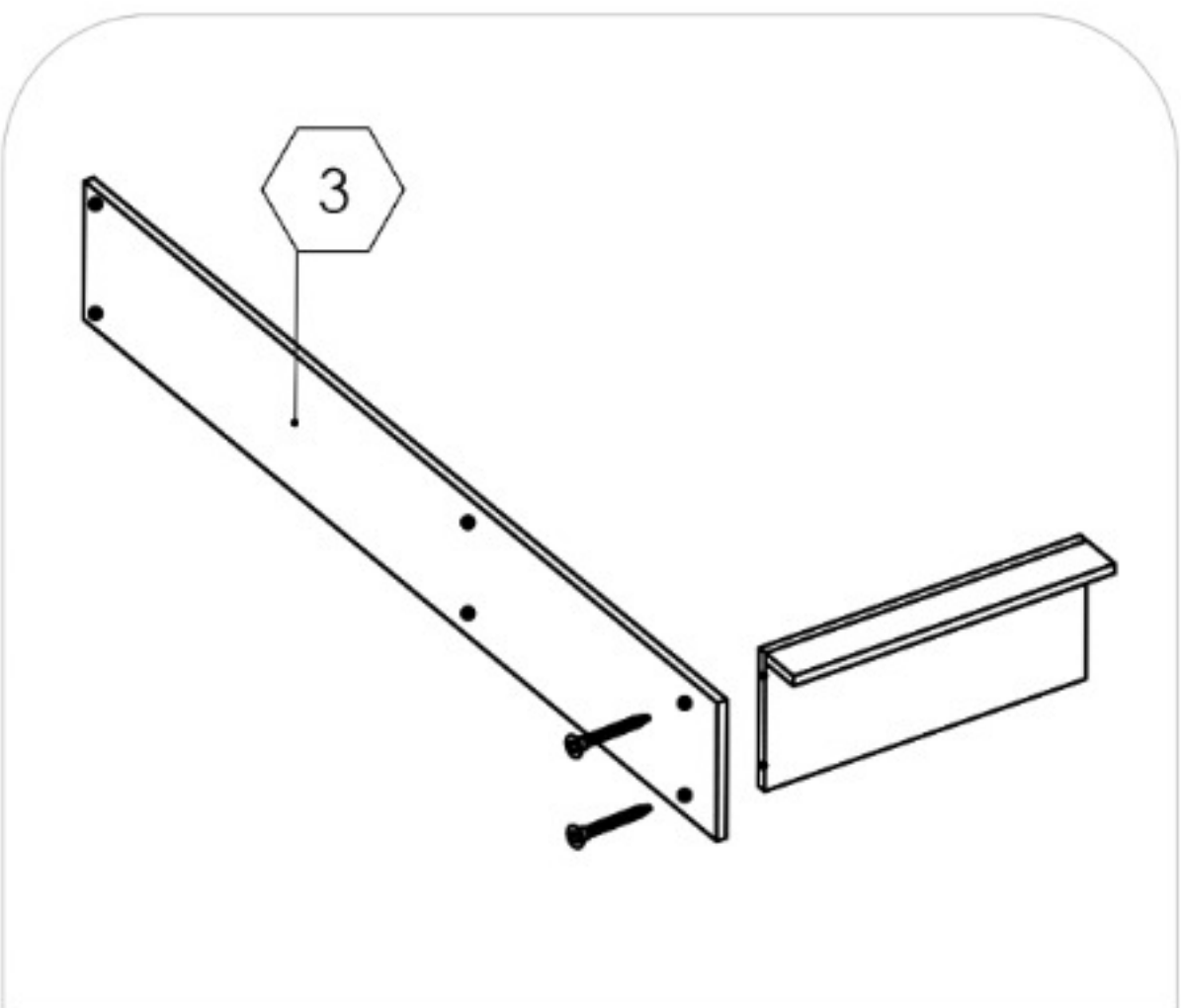


5 SHELVES BOOKSHELF



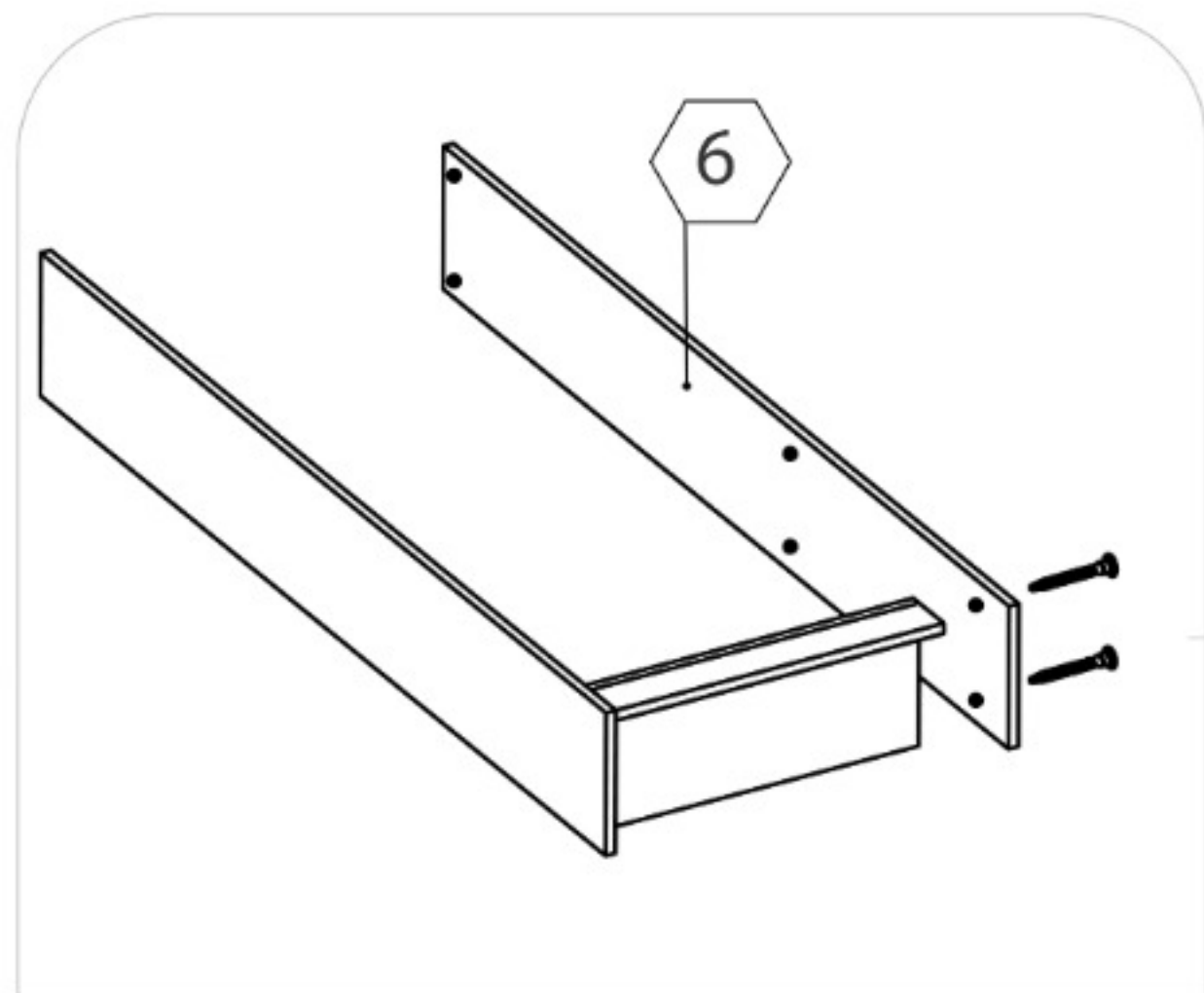
Assemble the lower table and the plinth with the allen screw.

1



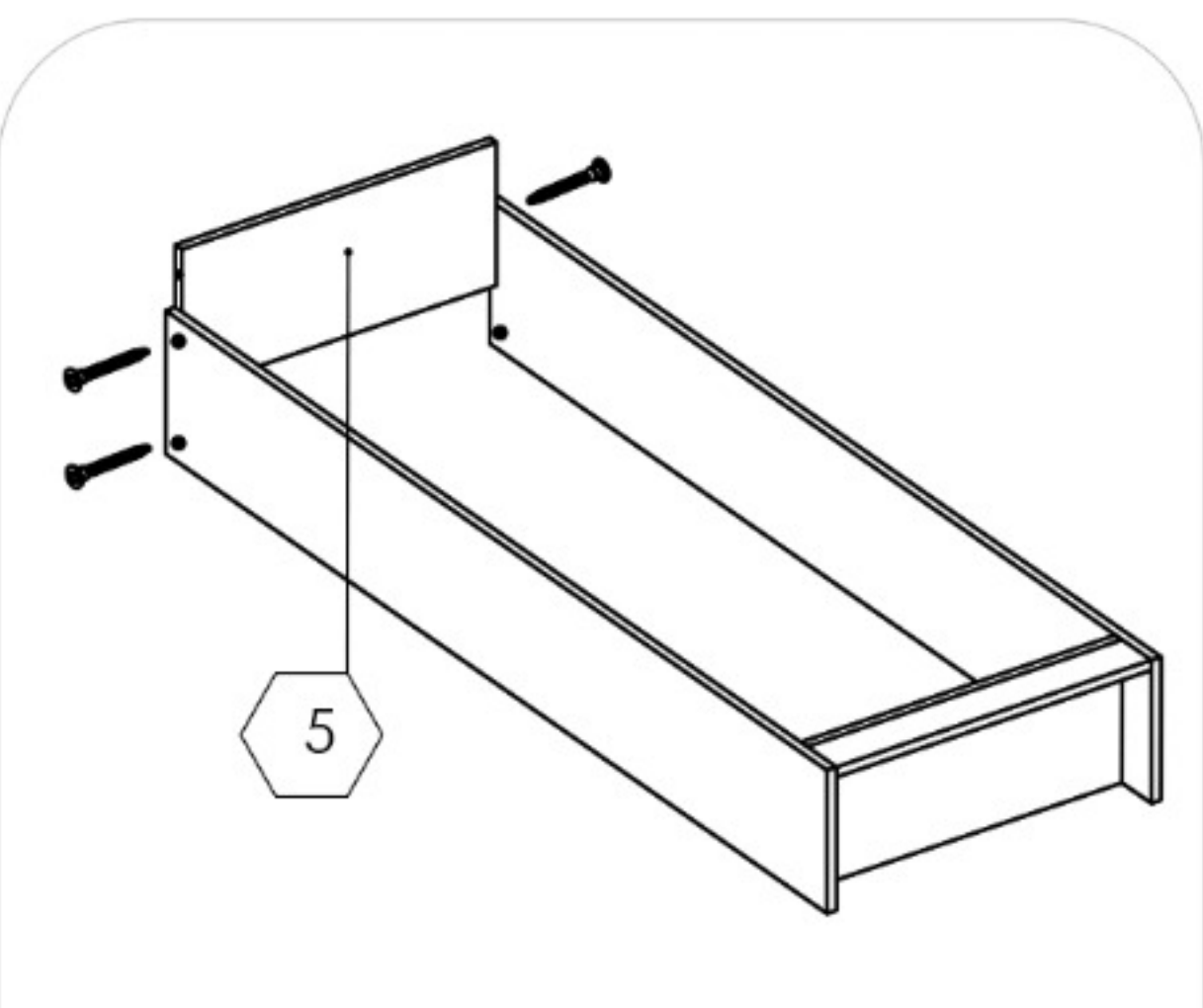
Mount the left side table to the lower table with the hexagonal screw as shown in the figure.

2



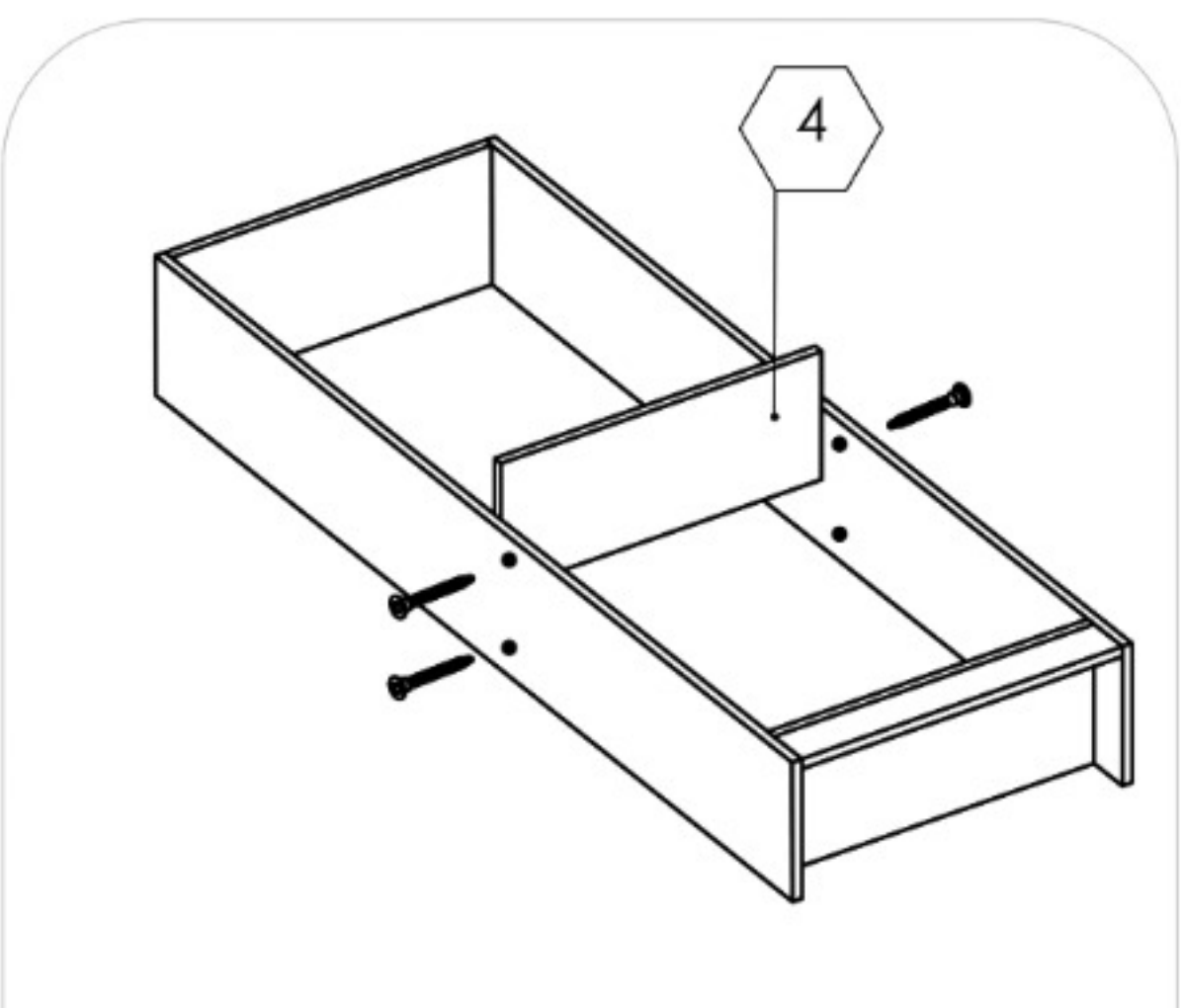
Mount the right side table to the lower table with the hexagonal screw as shown in the figure.

3



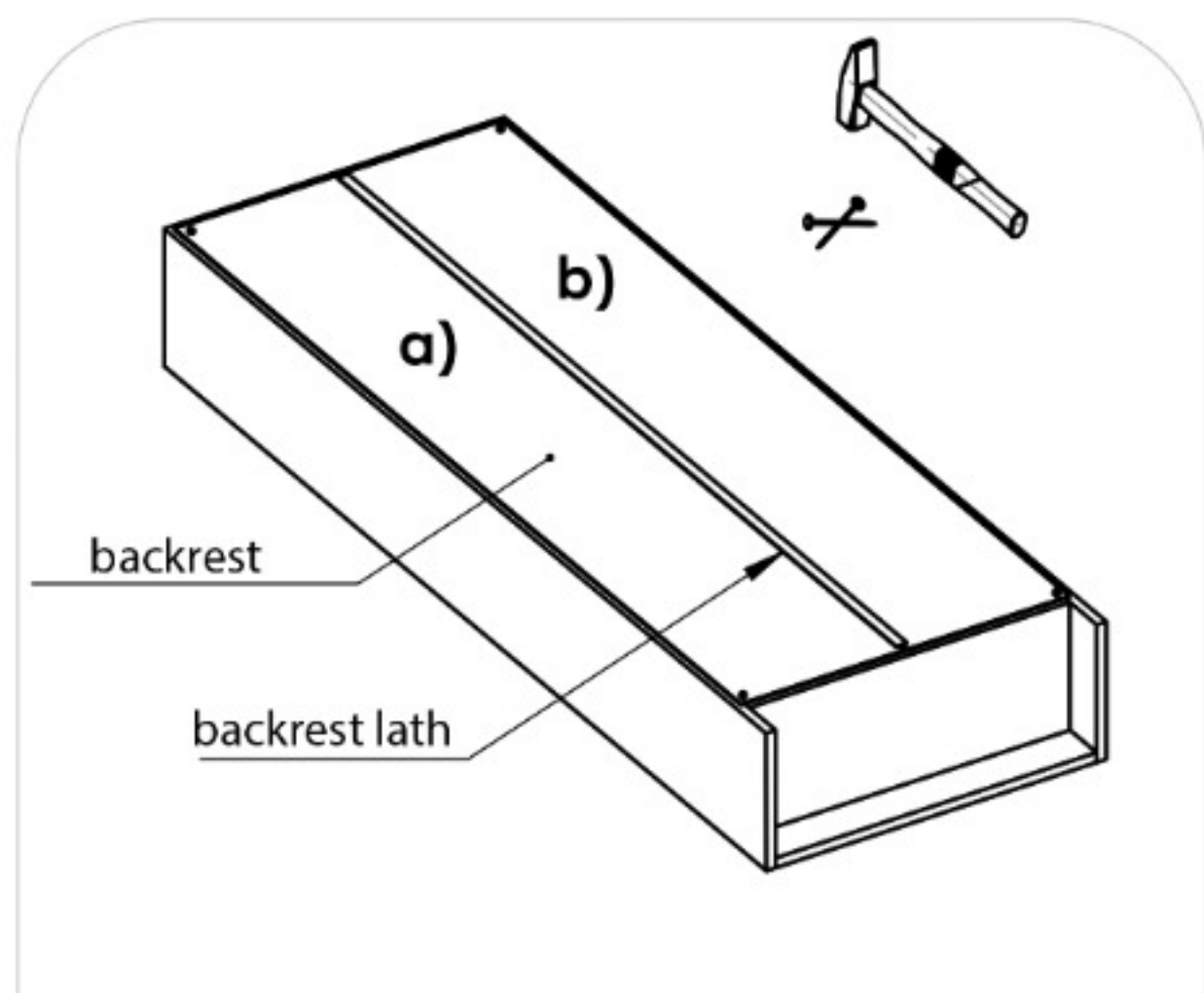
After placing the top plate between the left and right side tables, install it with an allen screw.

4



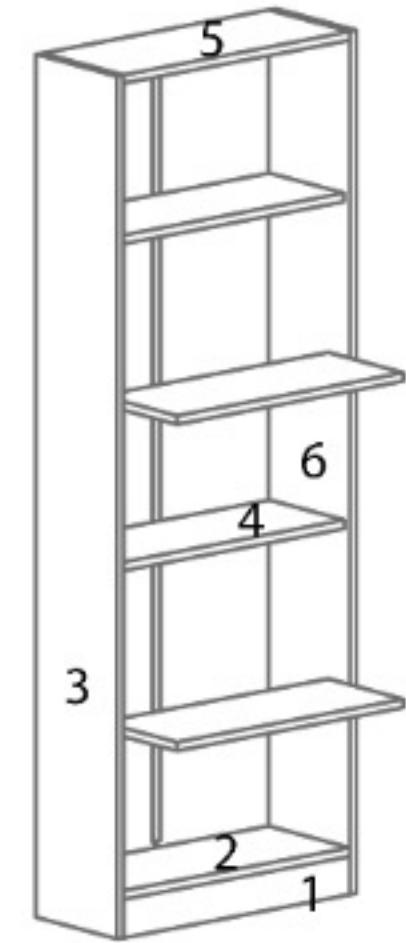
After placing the fixed shelf between the left and right side stands, install it with an allen screw.

5



Let's turn the library over and then hit the backs in certain places.

6



- MINIFIX MIL 14 PCS
- MINIFIX HEAD 14 PCS
- NAIL 30 PCS
- DOWEL 14 PCS
- SHELF PIN 12 PCS