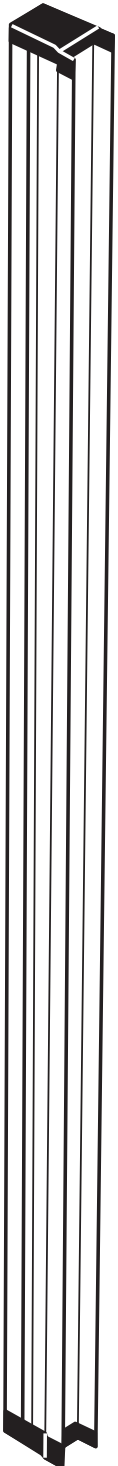
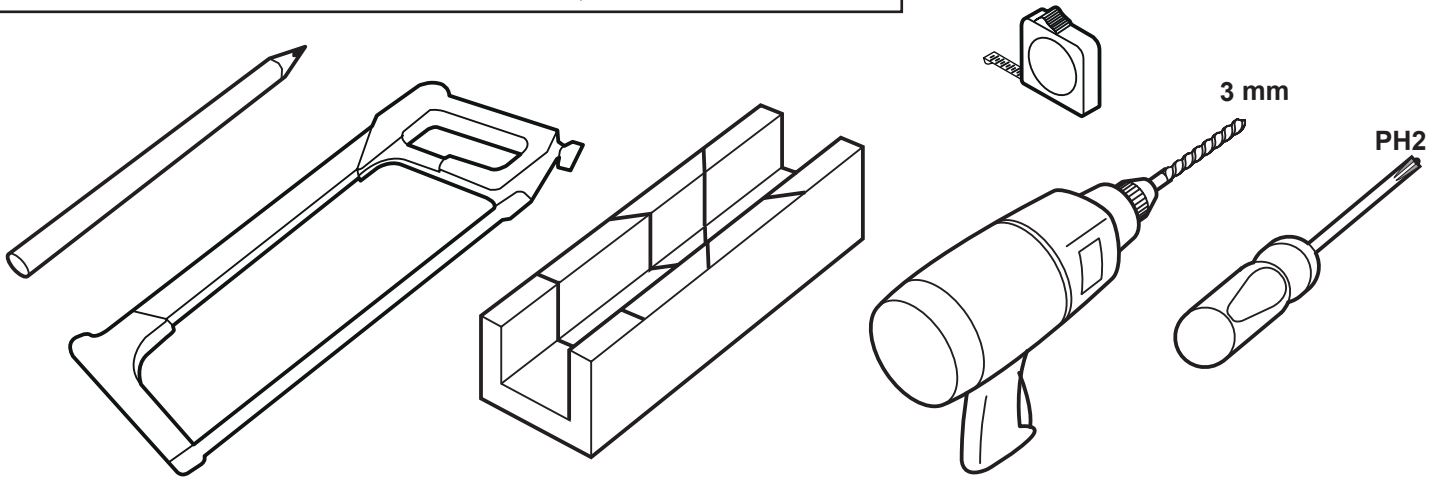


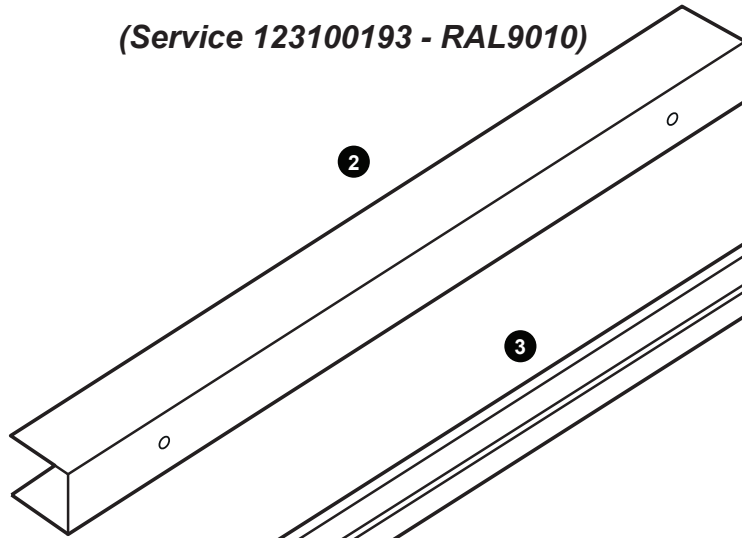


# HANDLEIDING GUIDE D'INSTALLATION MANUAL

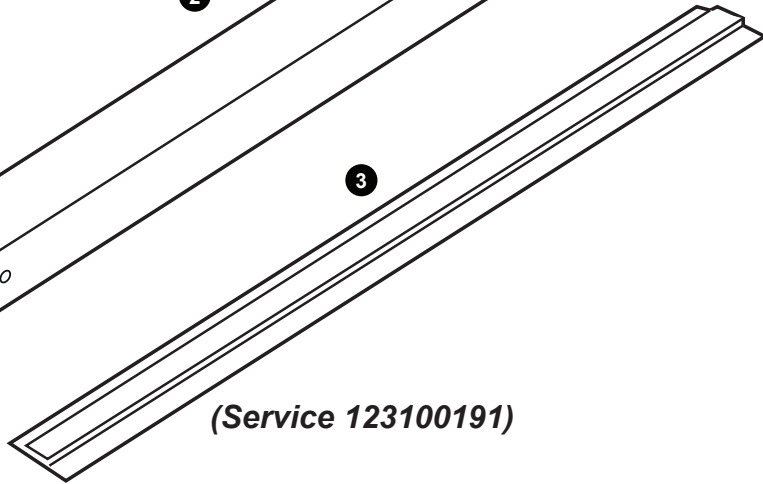


(Service 123100193 - RAL9010)

1



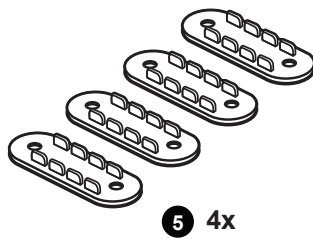
2



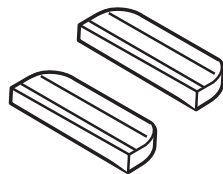
3

(Service 123100191)

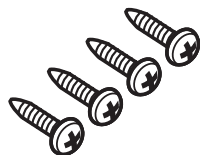
(Service 27581)



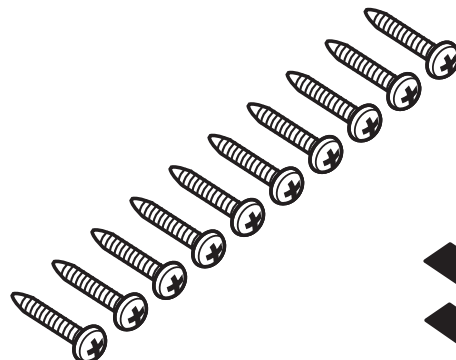
5 4x



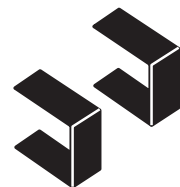
7 2x



6 4x

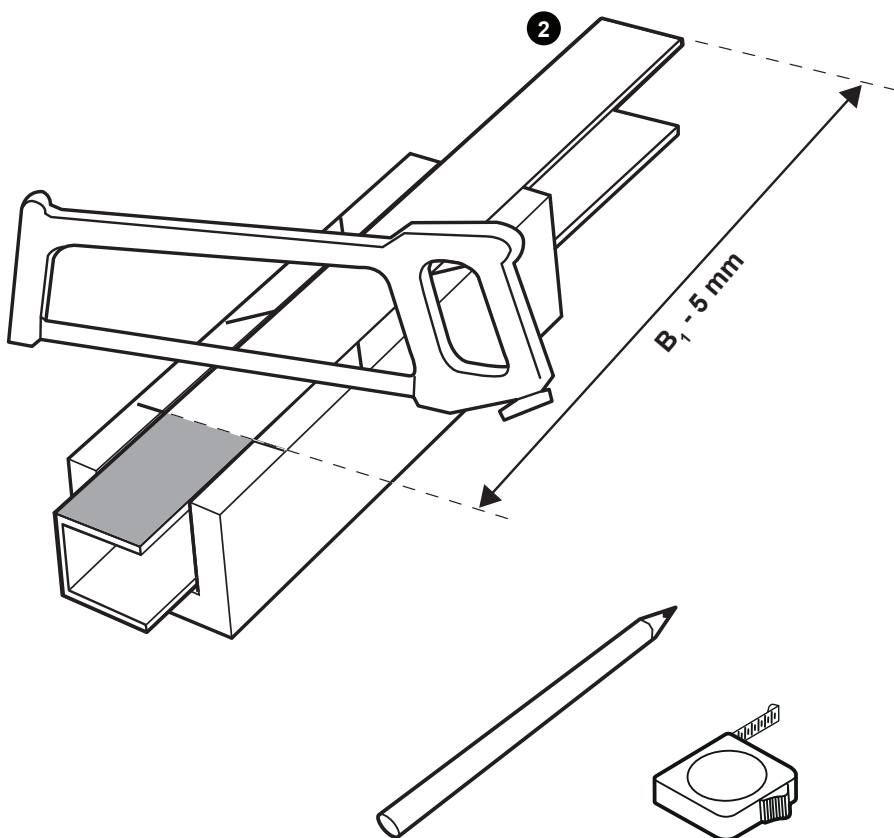
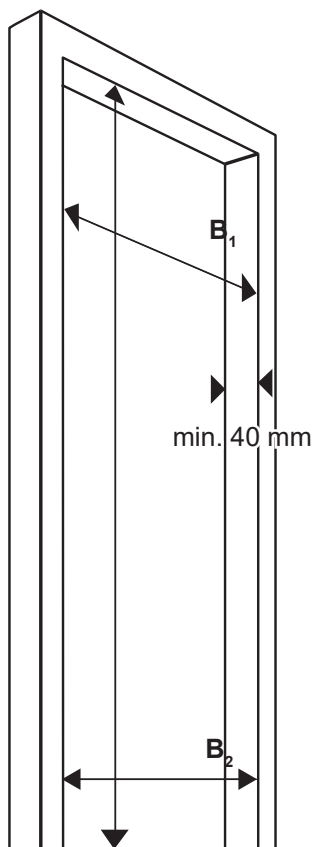


8 10x

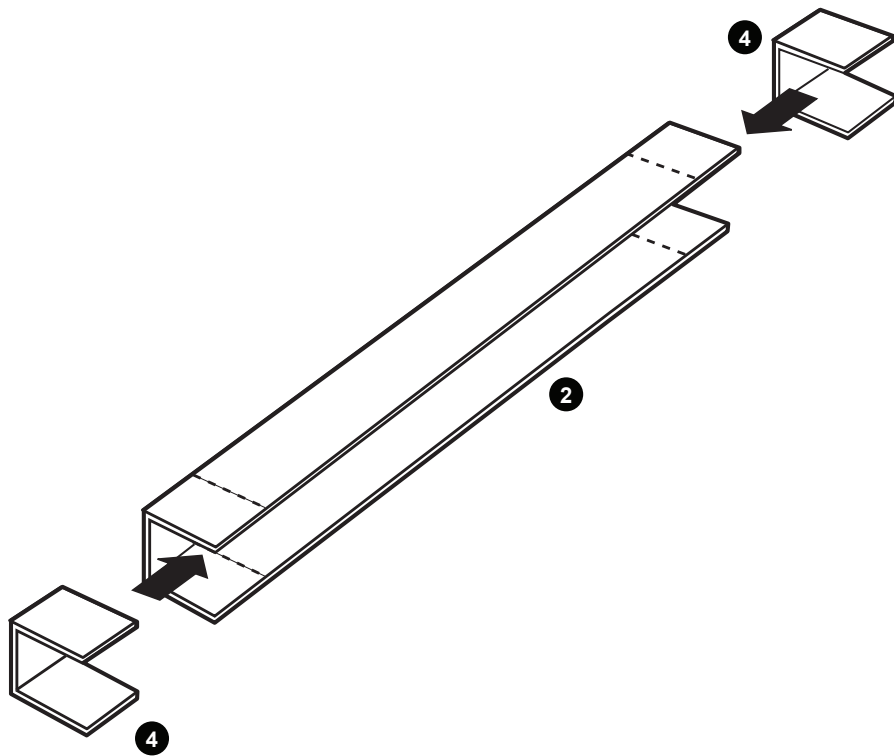
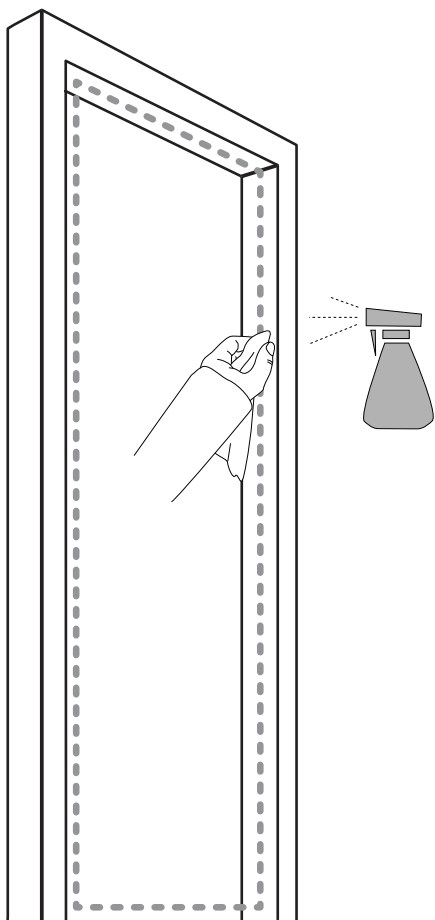


4 2x

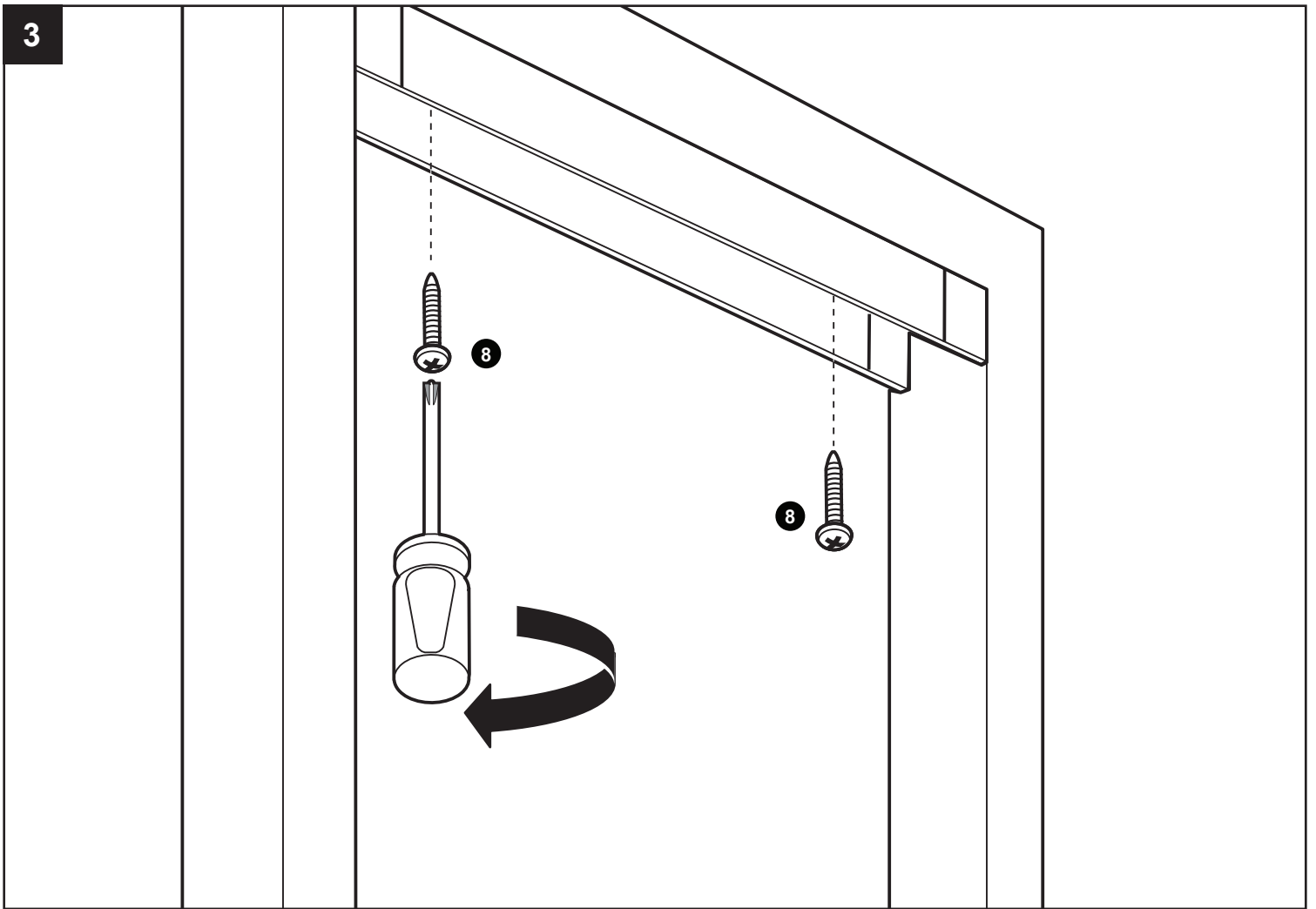
1



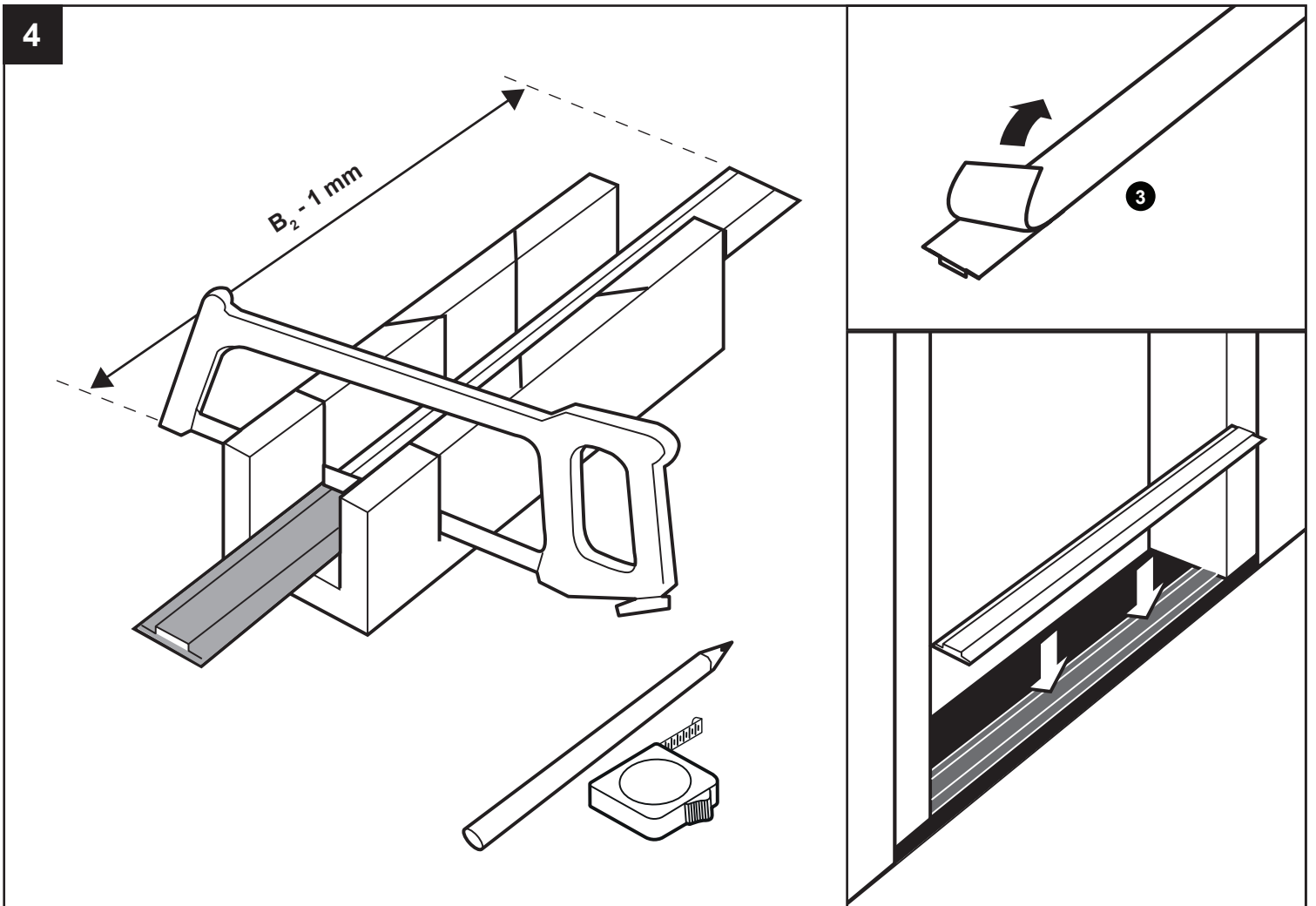
2

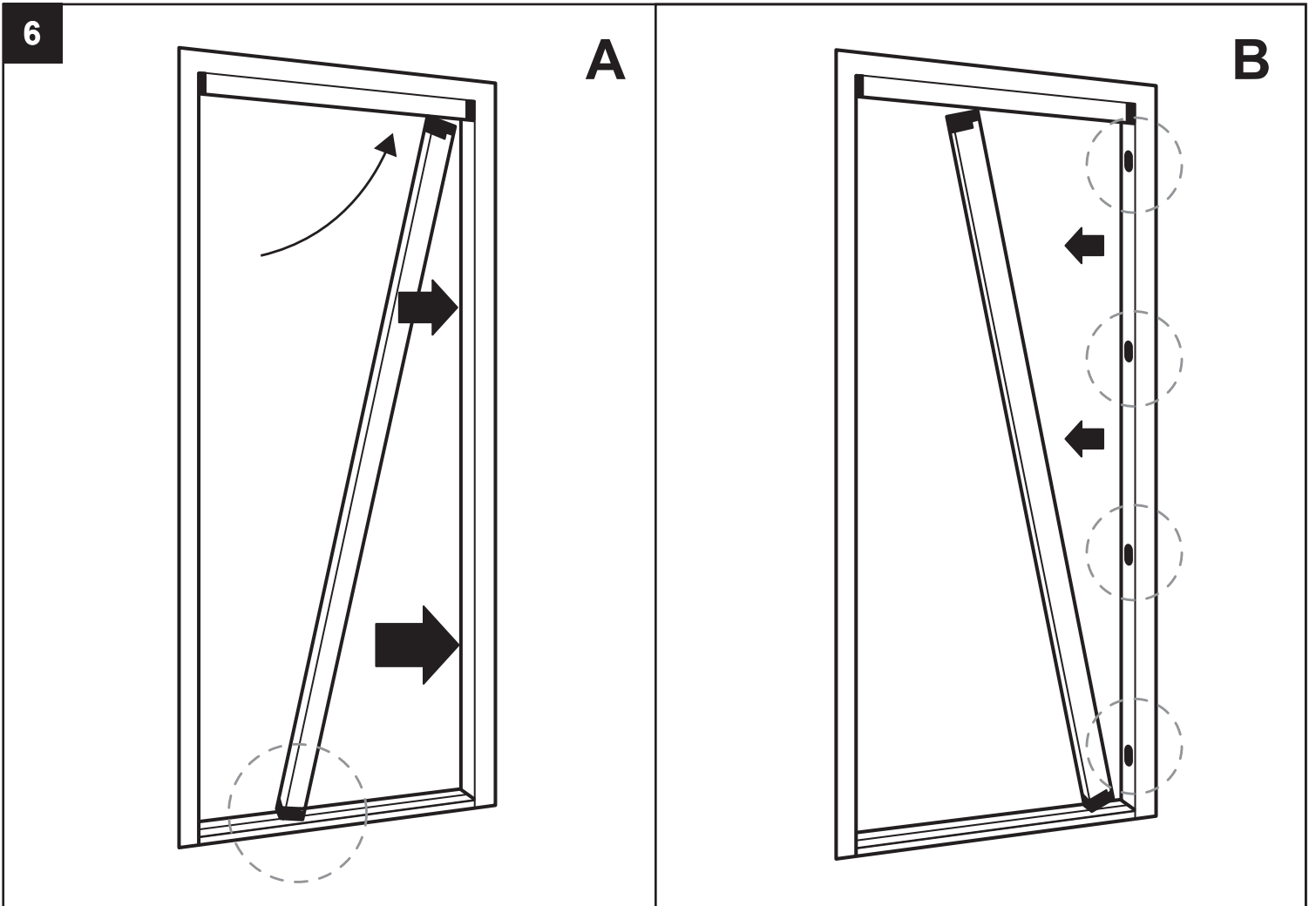
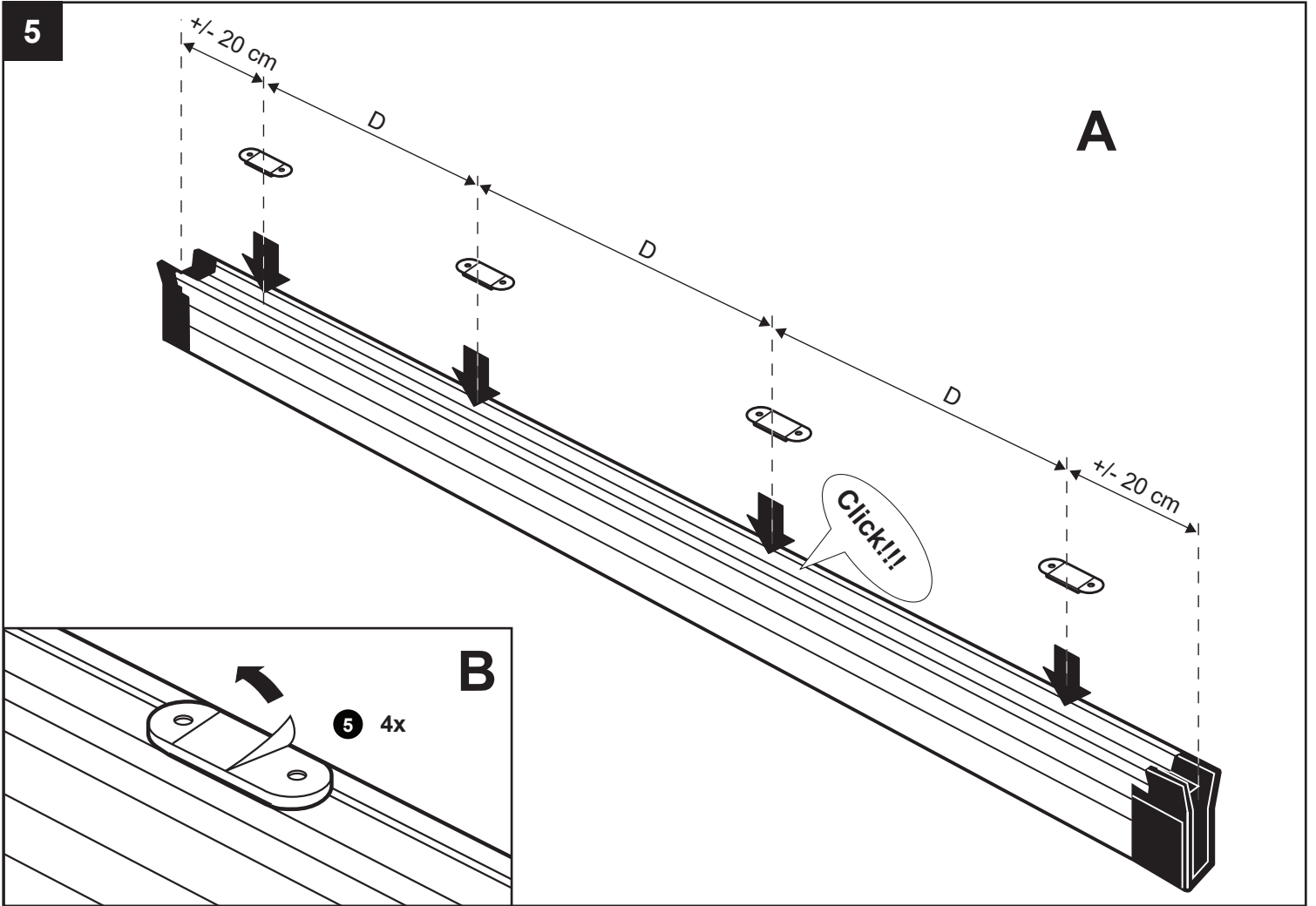


3



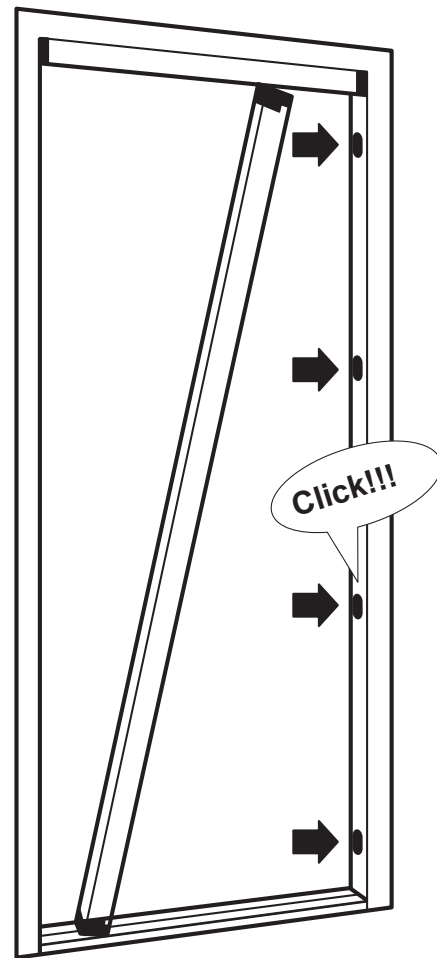
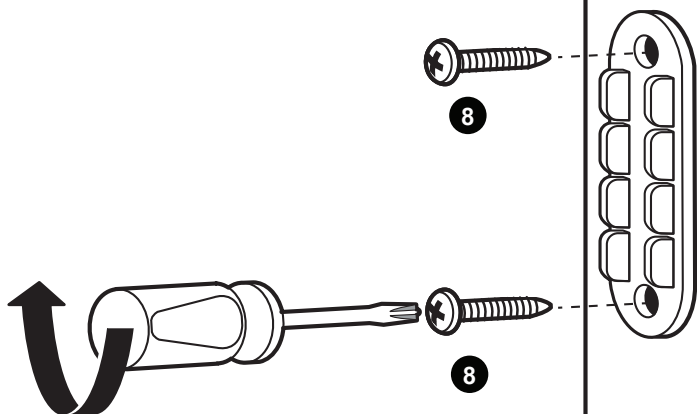
4





7

4x



8

