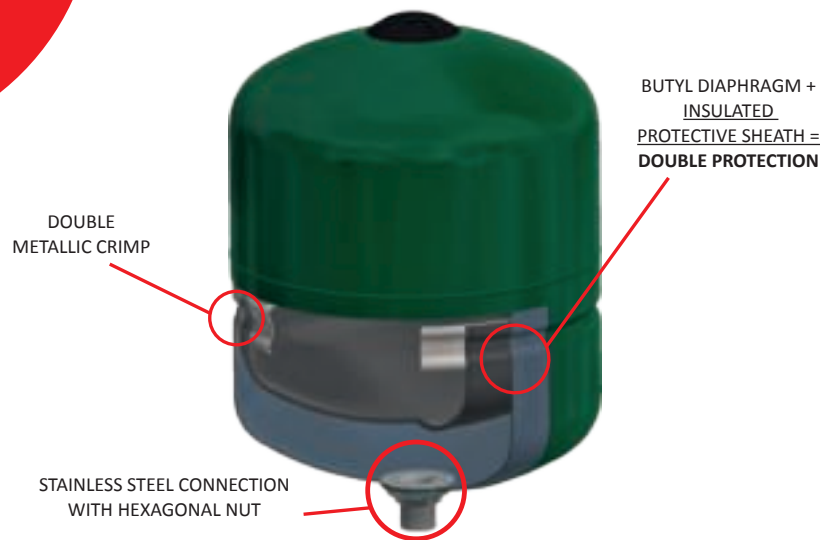


THERMOHYDRAULICS

STORAGE
HEATING
COOLING
SOLAR

NEW
PRODUCT



DP series

Multifunctional tanks
with fixed butyl diaphragm
and insulated protective sheath





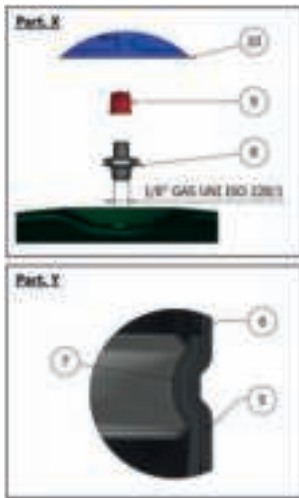
DP

MULTIFUNCTIONAL TANKS WITH FIXED BUTYL DIAPHRAGM AND INSULATED PROTECTIVE SHEATH

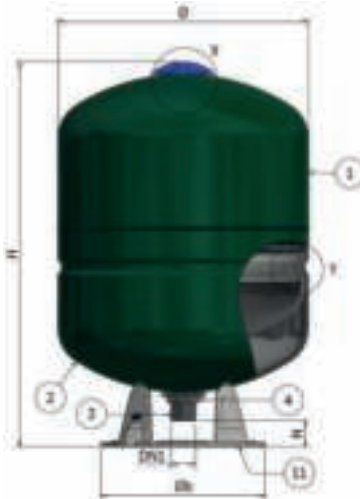
(5 - 500 LITRI)



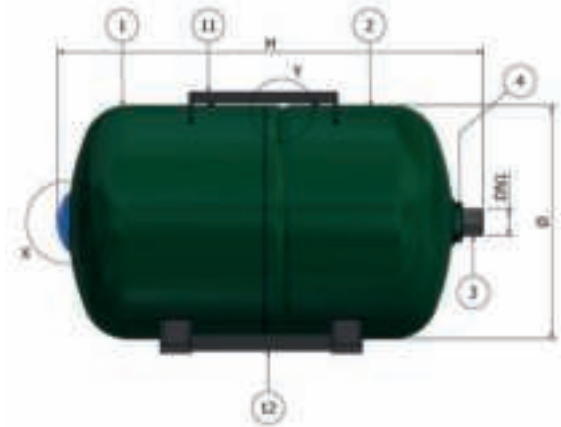
DP 5 - 35



DPV 50 - 500



DPH 18 - 24



CE certified product



For air conditioning systems



For drinking water



For pressurisation systems



For sanitary hot water



Water hammer arrestor



For heating systems

Multifunctional tanks with fixed-bladder and protective sheath

Multifunctional sanitary vessels with fixed bladder are designed to be fitted both as expansion tanks into sanitary systems, suitable to absorb the water expansion volume generated by a changing temperature, as well as pressure tanks for cold water sanitary systems.

Both applications are possible thanks to the protective sheath with patented crimping system that ensures the protection against corrosion of the inner surface of the tank.

In your Domestic Hot Water system install Elbi expansion tanks in the cold water supply pipe (do not install in the hot water drawoff pipe).

Characteristics:

- Min./max. working temperature: -10° / +99°C
- Max working pressure: 10 bar
- Pre-charge pressure: 2,5 bar
- Hydrostatic test pressure: 14,3 bar
- Fixed alimentary diaphragm in butyl
- Alimentary protective sheath in butyl
- Stainless steel connection with hexagonal nut
- Double metallic crimp
- Long lasting epoxy powder paint, green RAL 6005;

Reference standard:

- Declaration of conformity to essential safety requirements specified in 2014/68/UE Directive;

- CE approved

WARRANTY: 5 YEARS

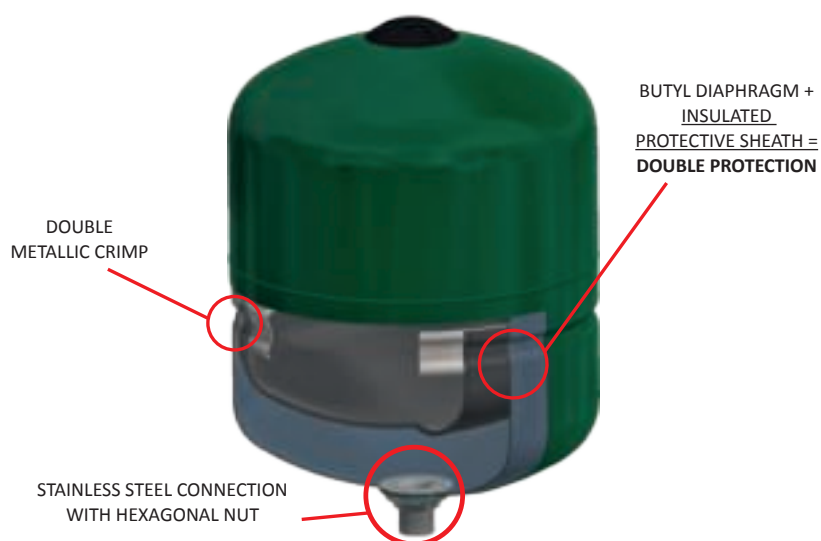
DIMENSIONS

MODEL	CODE	Cap. litres	P.pre bar	P.max bar	Temp. max	Diam. mm	H mm	Øb mm	DN1	N mm	Packing mm
DP 5	A2C2L11	5	2,5	10	+99°C	205	225	/	3/4"	/	210 x 210 x 250
DP 8	A2C2L16	8	2,5	10	+99°C	205	285	/	3/4"	/	210 x 210 x 320
DP 11	A2C2L19	11	2,5	10	+99°C	270	305	/	3/4"	/	280 x 280 x 310
DP 18	A2C2L24	18	2,5	10	+99°C	270	400	/	3/4"	/	280 x 280 x 450
DP 24	A2C2L27	24	2,5	10	+99°C	320	355	/	1"	/	330 x 330 x 375
DP 24 /16	A2C2R27	24	2,5	16	+99°C	270	500	/	1"	/	280 x 280 x 510
DP 35	A2C2L31	35	2,5	10	+99°C	400	410	/	1"	/	410 x 410 x 410
DPH 20	A2E2L25	20	2,5	10	+99°C	270	440	/	1"	/	280 x 280 x 450
DPH 24	A2E2L27	24	2,5	10	+99°C	270	500	/	1"	/	280 x 280 x 510
DPV 50	A2C2L34	50	2,5	10	+99°C	400	570	330	1"	68	410 x 410 x 610
DPV 80	A2C2L37	80	2,5	10	+99°C	400	820	330	1"1/4	68	410 x 410 x 860
DPV 100	A2C2L38	100	2,5	10	+99°C	500	735	330	1"1/4	67	510 x 510 x 830
DPV 150	A2C2L43	150	2,5	10	+99°C	500	1005	330	1"1/4	67	510 x 510 x 1040
DPV 200	A2C2L47	200	2,5	10	+99°C	600	1065	485	1"1/4	107	610 x 610 x 1110
DPV 300	A2C2L51	300	2,5	10	+99°C	650	1240	485	1"1/4	98	660 x 660 x 1290
DPV 500	A2C2L55	500	2,5	10	+99°C	775	1400	485	1"1/4	108	785 x 785 x 1440

Available in WHITE version

MODEL	CODE	Cap. litri
DP 5	A2C2L11 V0020	5
DP 8	A2C2L16 V0020	8
DP 11	A2C2L19 V0020	11
DP 18	A2C2L24 V0020	18
DP 24	A2C2L27 V0020	24
DP 24 /16	A2C2R27 V0020	24
DP 35	A2C2L31 V0020	35
DPH 20	A2E2L25 V0020	20
DPH 24	A2E2L27 V0020	24
DPV 50	A2C2L34 V0020	50
DPV 80	A2C2L37 V0020	80
DPV 100	A2C2L38 V0020	100
DPV 150	A2C2L43 V0020	150
DPV 200	A2C2L47 V0020	200
DPV 300	A2C2L51 V0020	300
DPV 500	A2C2L55 V0020	500

IMMAGINE ILLUSTRATIVA





cod. 8109462 V8000 - 07/2021

Elbi S.p.A.
Sede legale e
stabilimento principale:
C.P. 103 - Via Buccia, 9
35010 LIMENA (PD)
Tel +39-049-8840677
Fax +39-049-8841610

**Stabilimento e
deposito di Modugno:**
Via delle Magnolie, 19
70026 MODUGNO (BA)
Tel +39-080-5316843
Fax +39-080-5316822

Elbi of America, Inc
Houston, TX 77032
Tel. 001 (713) 674-2900
Fax 001 (713) 674-2982
www.elbi.net

Brea, CA 92821
Tel. 001 (714) 674-0590

www.elbi.it
info@elbi.it

