





<b>GB</b>	ORIGINAL INSTRUCTIONS	11	<b>GR</b>	ΠΡΩΤΟΤΥΠΟ ΟΔΗΓΙΩΝ ΧΡΗΣΗΣ	67
<b>F</b>	NOTICE ORIGINALE	14	<b>RO</b>	INSTRUCȚIUNI DE FOLOSIRE ORIGINALE	71
<b>D</b>	ORIGINALBETRIEBSANLEITUNG	18	<b>BG</b>	ОРИГИНАЛНО РЪКОВОДСТВО ЗА ЕКСПЛОАТАЦИЯ	75
<b>NL</b>	ORIGINELE GEBRUIKSAANWIJZING	21	<b>SK</b>	PŔVODNÝ NÁVOD NA POUŽITIE	79
<b>S</b>	BRUKSANVISNING I ORIGINAL	25	<b>HR</b>	ORIGINALNE UPUTE ZA RAD	82
<b>DK</b>	ORIGINAL BRUGSANVISNING	28	<b>SRB</b>	ORIGINALNO UPUTSTVO ZA RAD	86
<b>N</b>	ORIGINAL BRUKSANVISNING	32	<b>SLO</b>	IZVIRNA NAVODILA	89
<b>FIN</b>	ALKUPERÄISET OHJEET	35	<b>EST</b>	ALGUPÄRANE KASUTUSJUHEND	92
<b>E</b>	MANUAL ORIGINAL	38	<b>LV</b>	ORIĢINĀLĀ LIETOŠANAS PAMĀCĪBA	95
<b>P</b>	MANUAL ORIGINAL	42	<b>LT</b>	ORIGINALI INSTRUKCIJA	99
<b>I</b>	ISTRUZIONI ORIGINALI	45	<b>MK</b>	ИЗБОРНО УПАТСТВО ЗА РАБОТА	103
<b>H</b>	EREDETI HASZNÁLATI UTASÍTÁS	49	<b>AL</b>	UDHËZIMET ORIGJINALE	107
<b>CZ</b>	PŔVODNÍM NÁVODEM K POUŽÍVÁNÍ	53	<b>AR</b>	دليل الاستعمال	116
<b>TR</b>	ORİJİNAL İŞLETME TALİMATI	56	<b>FA</b>	راهنمای اصلی	114
<b>PL</b>	INSTRUKCJA ORYGINALNA	59			
<b>UA</b>	ОРИГІНАЛЬНА ІНСТРУКЦІЯ З ЕКСПЛУАТАЦІЇ	63			

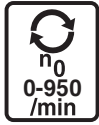
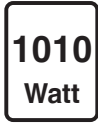


<b>GB</b>	<b>EU Declaration of conformity</b>		We declare under our sole responsibility that the stated products comply with all applicable provisions of the directives and regulations listed below and are in conformity with the following standards.
	<b>Rotary hammer</b>	Article number	Technical file at:*
<b>F</b>	<b>Déclaration de conformité UE</b>		Nous déclarons sous notre propre responsabilité que les produits décrits sont en conformité avec les directives, règlements normatifs et normes énumérés ci-dessous. Dossier technique auprès de:*
	<b>Marteau perforateur</b>	Numéro d'article	
<b>D</b>	<b>EU-Konformitätserklärung</b>		Wir erklären in alleiniger Verantwortung, dass die genannten Produkte allen einschlägigen Bestimmungen der nachfolgend aufgeführten Richtlinien und Verordnungen entsprechen und mit folgenden Normen übereinstimmen. Technische Unterlagen bei:*
	<b>Bohrhammer</b>	Sachnummer	
<b>NL</b>	<b>EU-conformiteitsverklaring</b>		Wij verklaren op eigen verantwoordelijkheid dat de genoemde producten voldoen aan alle desbetreffende bepalingen van de hierna genoemde richtlijnen en verordeningen en overeenstemmen met de volgende normen. Technisch dossier bij:*
	<b>Boorhamer</b>	Productnummer	
<b>S</b>	<b>EU-konformitetsförklaring</b>		Vi förklarar under eget ansvar att de nämnda produkterna uppfyller kraven i alla gällande bestämmelser i de nedan angivna direktiven och förordningarna och att de stämmer överens med följande normer. Teknisk dokumentation:*
	<b>Borrhämmare</b>	Produktnummer	
<b>DK</b>	<b>EU-overensstemmelseserklæring</b>		Vi erklærer som eneansvarlige, at det beskrevne produkt er i overensstemmelse med alle gældende bestemmelser i følgende direktiver og forordninger og opfylder følgende standarder. Tekniske bilag ved:*
	<b>Borehammer</b>	Typenummer	
<b>N</b>	<b>EU-samsvarserklæring</b>		Vi erklærer under eneansvar at de nevnte produktene er i overensstemmelse med alle relevante bestemmelser i direktivene og forordningene nedenfor og med følgende standarder. Teknisk dokumentasjon hos:*
	<b>Borhammer</b>	Produktnummer	
<b>FIN</b>	<b>EU-vaatimustenmukaisuusvakuutus</b>		Vakuutamme täten, että mainitut tuotteet vastaavat kaikkia seuraavien direktiivien ja asetusten asiaankuuluvia vaatimuksia ja ovat seuraavien standardien vaatimusten mukaisia. Tekniset asiakirjat saatavana:*
	<b>Porvasara</b>	Tuotenumero	
<b>E</b>	<b>Declaración de conformidad UE</b>		Declaramos bajo nuestra exclusiva responsabilidad, que los productos nombrados cumplen con todas las disposiciones correspondientes de las directivas y los reglamentos mencionados a continuación y están en conformidad con las siguientes normas. Documentos técnicos de:*
	<b>Martillo perforador</b>	Número de artículo	
<b>P</b>	<b>Declaração de conformidade CE</b>		Declaramos sob nossa exclusiva responsabilidade que os produtos mencionados cumprem todas as disposições e os regulamentos indicados e estão em conformidade com as seguintes normas. Documentação técnica pertencente a:*
	<b>Martelo perfurador</b>	Número do produto	
<b>I</b>	<b>Dichiarazione di conformità UE</b>		Dichiariamo sotto la nostra piena responsabilità che i prodotti indicati sono conformi a tutte le disposizioni pertinenti delle direttive e dei regolamenti elencati di seguito, nonché alle seguenti normative. Documentazione tecnica presso:*
	<b>Martello perforatore</b>	Codice prodotto	
<b>H</b>	<b>EU konformitási nyilatkozat</b>		Egyedüli felelőséggel kijelentjük, hogy a megnevezett termékek megfelelnek az alábbiakban felsorolásra kerülő irányelvek és rendeletek valamennyi idevágó előírásainak és megfelelnek a következő szabványoknak. Műszaki dokumentumok megőrzési pontja:*
	<b>Fúrókalapács</b>	Cikkszám	
<b>CZ</b>	<b>EU prohlášení o shodě</b>		Prohlašujeme na výhradní zodpovědnost, že uvedený výrobek splňuje všechna příslušná ustanovení níže uvedených směrnic a nařízení a je v souladu s následujícími normami. Technické podklady u:*
	<b>Vrtací kladivo</b>	Objednací číslo	
<b>TR</b>	<b>AB Uygunluk beyanı</b>		Tek sorumlu olarak, tanınlan ürünün aşağıdaki yönetmelik ve direktiflerin geçerli bütün hükümlerine ve aşağıdaki standartlara uygun olduğunu beyan ederiz. Teknik belgelerin bulunduğu yer:*
	<b>Kırcı-delici</b>	Ürün kodu	
<b>PL</b>	<b>Deklaracja zgodności UE</b>		Oświadczamy z pełną odpowiedzialnością, że niniejsze produkty odpowiadają wszystkim wymaganiom poniżej wyszczególnionych dyrektyw i rozporządzeń, oraz że są zgodne z następującymi normami. Dokumentacja techniczna:*
	<b>Młot udarowo-obrotowy</b>	Numer katalogowy	
<b>RU</b>	<b>Заявление о соответствии ЕС</b>		Мы заявляем под нашу единоличную ответственность, что названные продукты соответствуют всем действующим предписаниям нижеуказанных директив и распоряжений, а также нижеуказанным норм. Техническая документация хранится у:*
	<b>Перфоратор</b>	Товарный номер	
<b>UA</b>	<b>Заява про відповідність ЄС</b>		Мизявляємо під нашу одноособову відповідальність, що названі вироби відповідають усім чинним положенням нижчеозначених директив і розпоряджень, а також нижчеозначеним нормам. Технічна документація зберігається у:*
	<b>Перфоратор</b>	Товарний номер	

<b>GR</b>	<b>Δήλωση πιστότητας ΕΕ</b>		Δηλώνουμε με αποκλειστική μας ευθύνη, ότι τα αναφερόμενα προϊόντα αντιστοιχούν σε όλες τις σχετικές διατάξεις των πιο κάτω αναφερόμενων οδηγιών και κανονισμών και ταυτίζονται με τα ακόλουθα πρότυπα. Τεχνικά έγγραφα στη:*
<b>RO</b>	<b>Declarație de conformitate UE</b>	Αριθμός ευρετηρίου	Declarăm pe proprie răspundere că produsele menționate corespund tuturor dispozițiilor relevante ale directivei și reglementărilor enumerate în cele ce urmează și sunt în conformitate cu următoarele standarde. Documentație tehnică la:*
<b>BG</b>	<b>ЕС декларация за съответствие</b>	Număr de identificare	С пълна отговорност ние декларираме, че посочените продукти отговарят на всички валидни изисквания на директивите и разпоредбите по-долу и съответства на следните стандарти. Техническа документация при:*
<b>SK</b>	<b>EU vyhlásenie o zhode</b>	Каталожен номер	Vyhlasujeme na výhradnú zodpovednosť, že uvedený výrobok spĺňa všetky príslušné ustanovenia nižšie uvedených smerníc a nariadení a je v súlade s nasledujúcimi normami. Technické podklady má spoločnosť:*
<b>HR</b>	<b>EU izjava o sukladnosti</b>	Vecné číslo	Pod punom odgovornošću izjavljujemo da navedeni proizvodi odgovaraju svim relevantnim odredbama direktiva i propisima navedenima u nastavku i da su sukladni sa sljedećim normama. Tehnička dokumentacija se može dobiti kod:*
<b>SRB</b>	<b>EU-izjava o usaglašenosti</b>	Kataloški broj	Na sopstvenu odgovornost izjavljujemo, da navedeni proizvodi odgovaraju svim dotičnim odredbama naknadno navedenih smernica u uredaba i da su u skladu sa sledećim standardima. Tehnička dokumentacija kod:*
<b>SLO</b>	<b>Izjava o skladnosti ES</b>	Broj predmeta	Izjavljamo pod izključno odgovornostjo, da je omenjen izdelek v skladu z vsemi relevantnimi določili direktiv in uredb ter ustreza naslednjim standardom. Tehnična dokumentacija pri:*
<b>EST</b>	<b>EL-vastavusdeklaratsioon</b>	Številka artikla	Kinnitame ainuvastutajatena, et nimetatud tooted vastavad järgnevalt loetletud direktiivide ja määruste kõiki dele asjaomastele nõuetele ja on kooskõlas järgmiste normidega. Tehnilised dokumendid saadaval:*
<b>LV</b>	<b>Deklarācija par atbilstību EK standartiem</b>	Tootenumbers	Mēs ar pilnu atbildību paziņojam, ka šeit aplūkoti izstrādājumi atbilst visiem tālāk minētajās direktīvās un rīkojumos ietvertajām saistošajām nostādņēm, kā arī sekojošiem standartiem. Tehniskā dokumentācija saugoma:*
<b>LT</b>	<b>ES atitikties deklaracija</b>	Izstrādājuma numurs	Atsakingai pareiškiame, kad išvardyti gaminiai atitinka visus privalomus žemiau nurodytų direktyvų ir reglamentų reikalavimus ir šiuos standartus. Techninė dokumentacija saugoma:*
<b>MK</b>	<b>EU-Изјава за сообразност</b>	Gaminio numeris	Со целосна одговорност изјавуваме, дека опишаните производи се во согласност со сите релевантни одредби на следните регулативи и прописи и се во согласност со следните норми. Техничка документација кај:*
<b>AL</b>	<b>EU Deklarata e konformitetit</b>	Број на артикл	Ne deklarojmë me përgjegjësinë tonë të vetme se produktet e paraqitura janë në përputhje me të gjitha dispozitatet e zbatueshme të direktivave dhe rregulloreve të listuara më poshtë dhe janë në përputhje me standardet si më poshtë. Dosja teknike në:*
<b>1763</b>	<b>F0151763..</b>		2006/42/EC 2014/30/EU 2011/65/EU EN 60745-1:2009 + A11:2010 EN 60745-2-6:2010 EN 55014-1:2006 + A1:2009 + A2:2011 EN 55014-2:2015 EN 61000-3-2:2014 EN 61000-3-3:2013 EN 50581:2012
			 * Skil BV Konijnenberg 62 4825 BD Breda The Netherlands
			Olaf Dijkgraaf Approval Manager 
			Skil BV, Konijnenberg 62, 4825 BD Breda, NL 17.12.2018

1

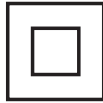
1763



2



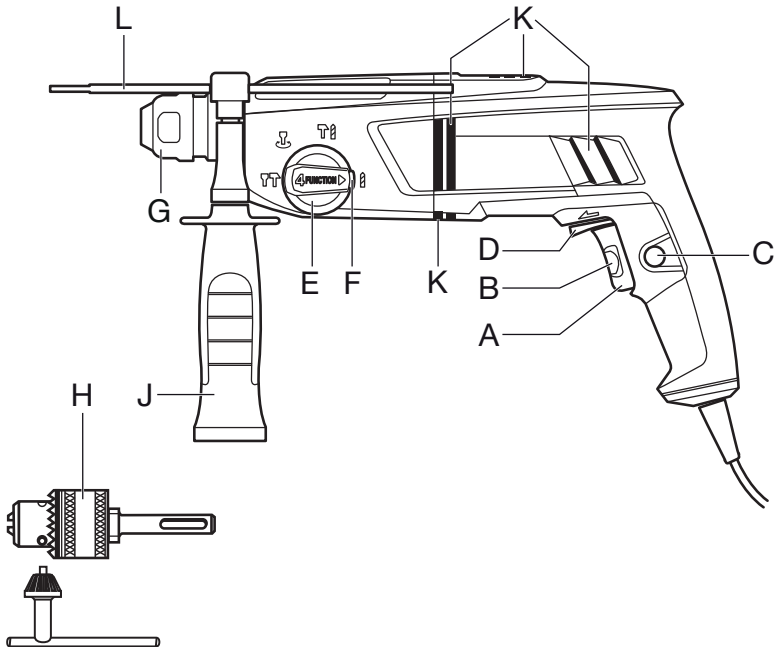
3

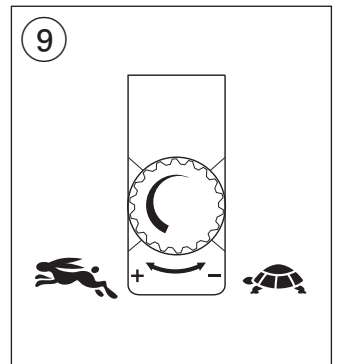
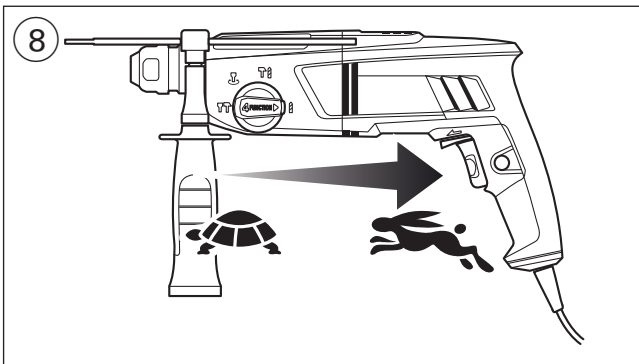
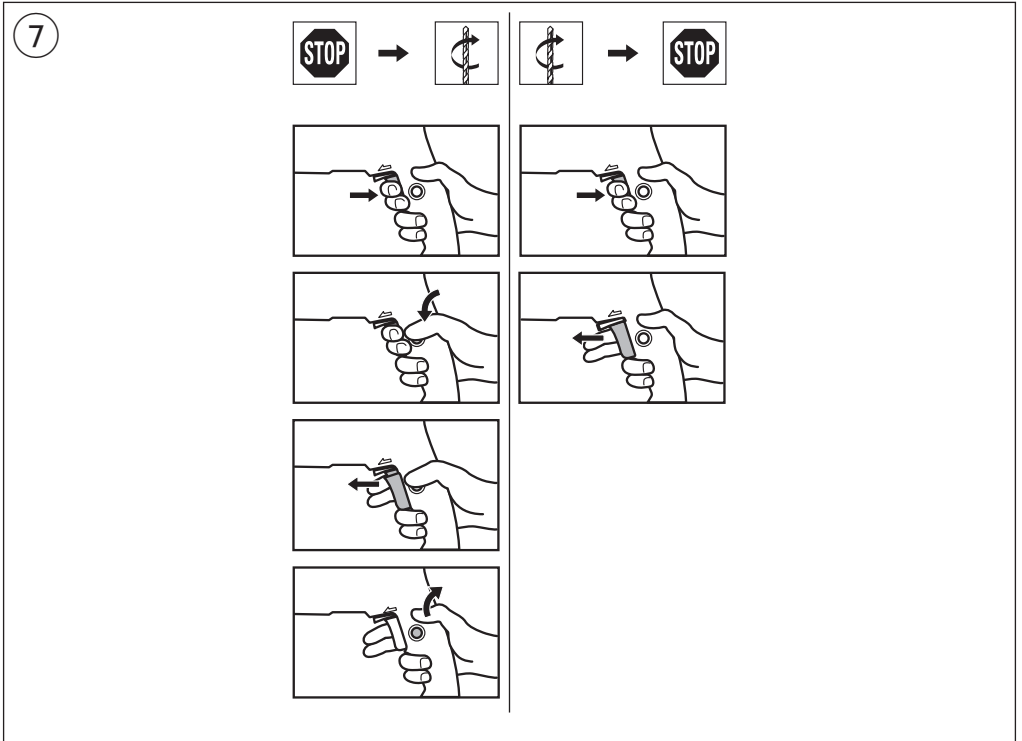
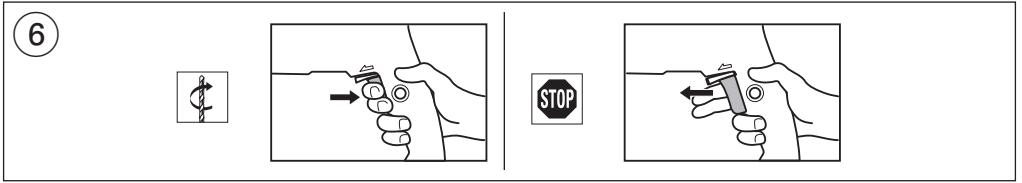


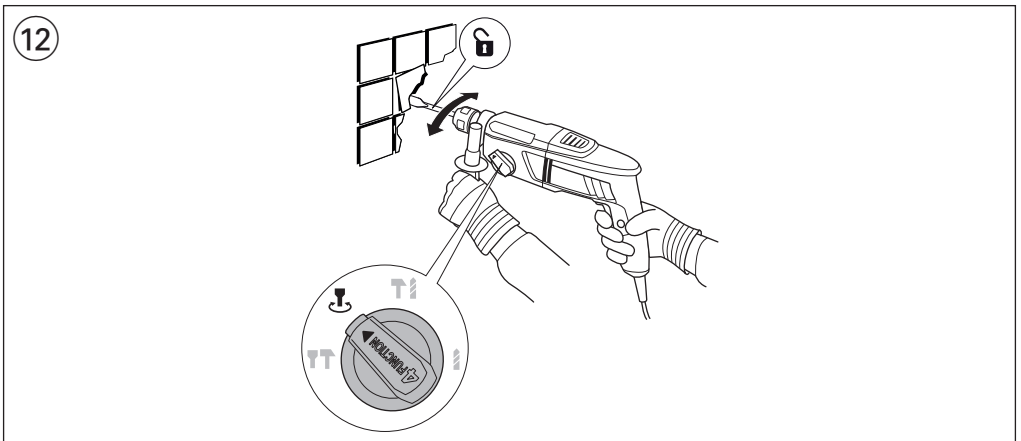
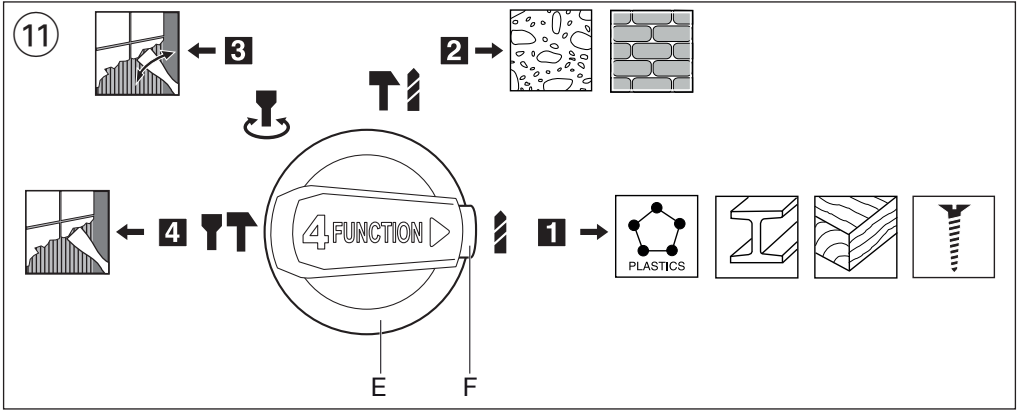
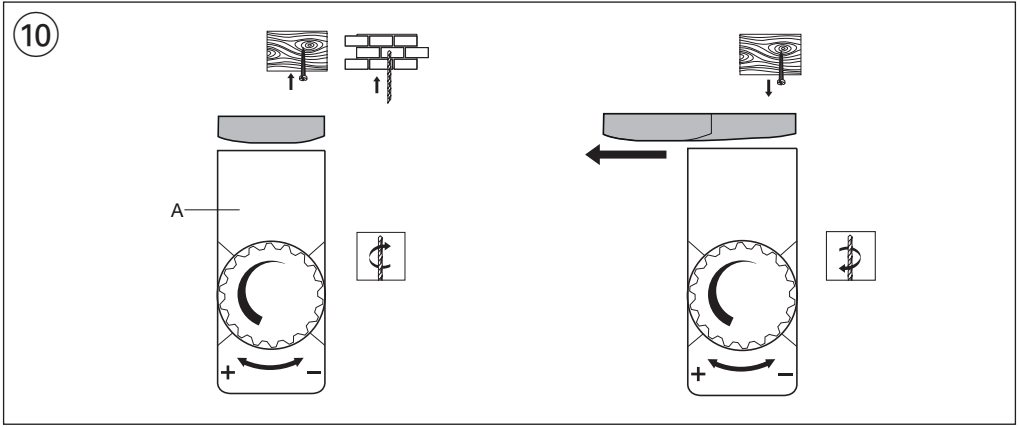
4

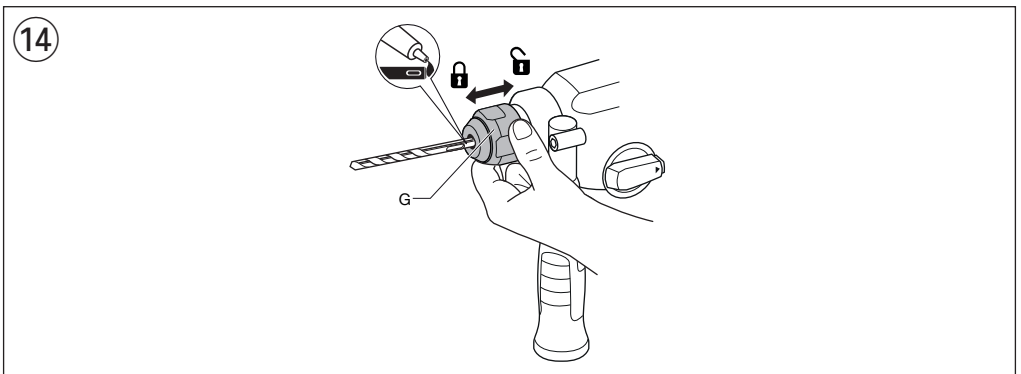
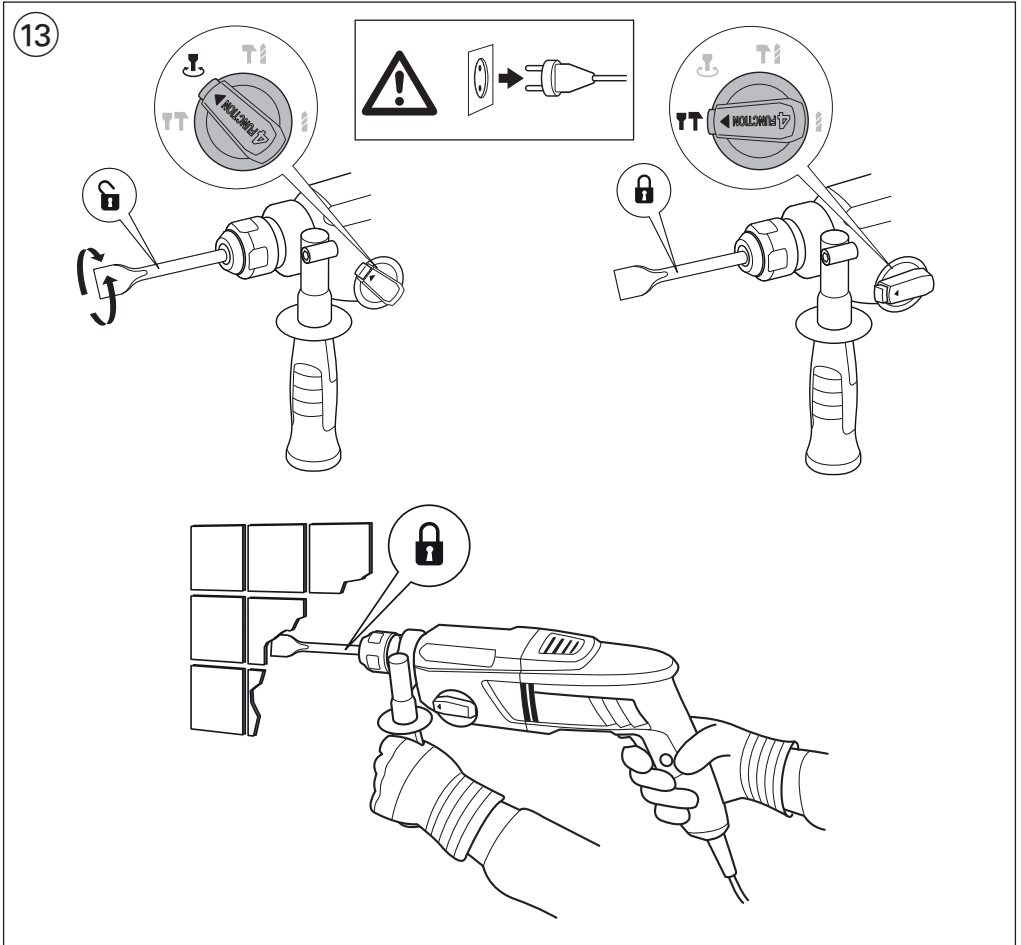


5

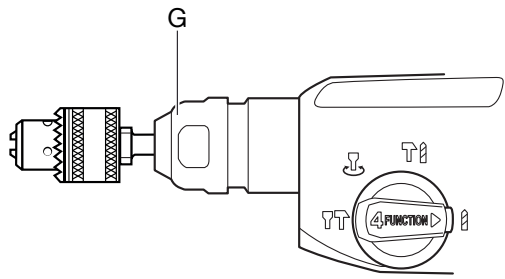
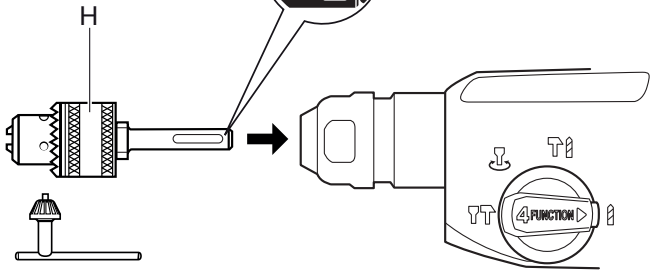
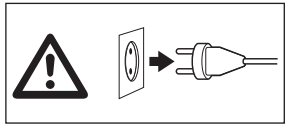




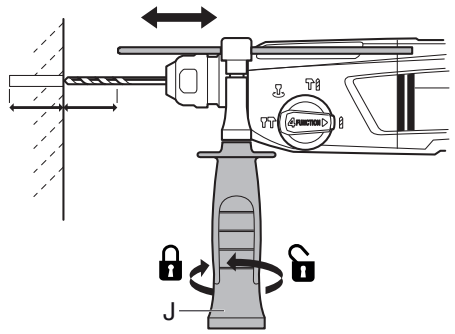




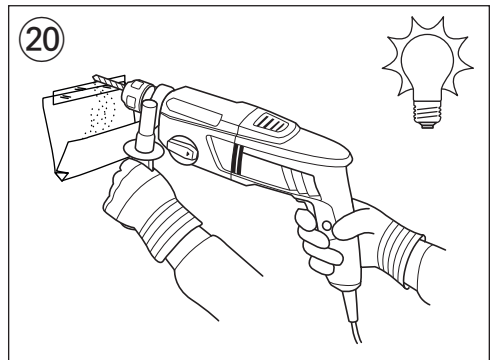
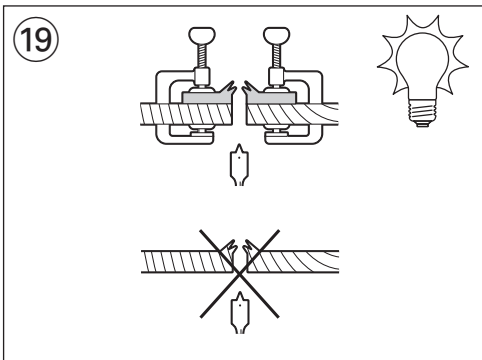
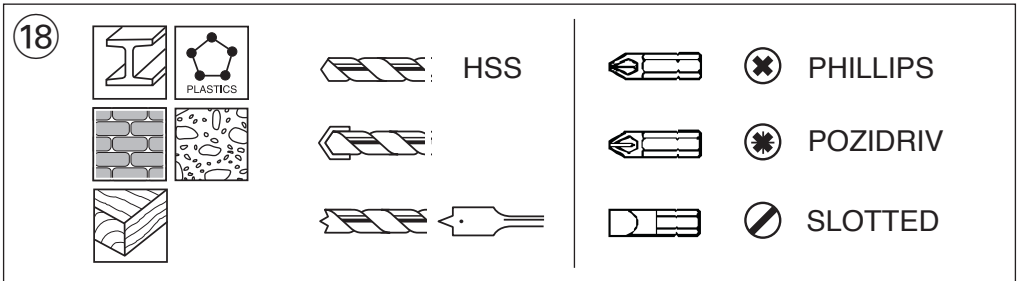
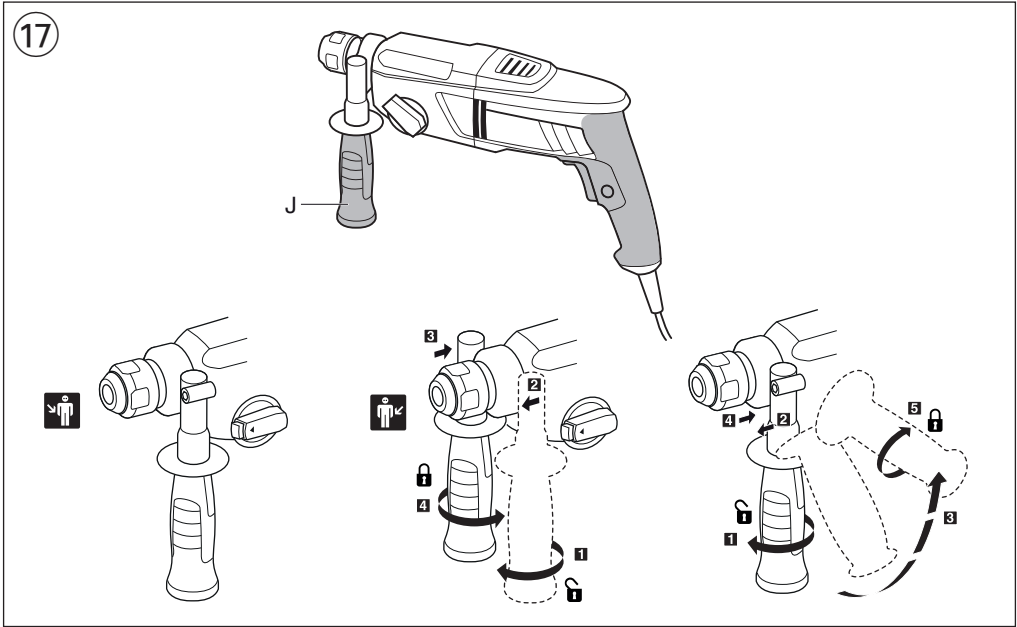
15



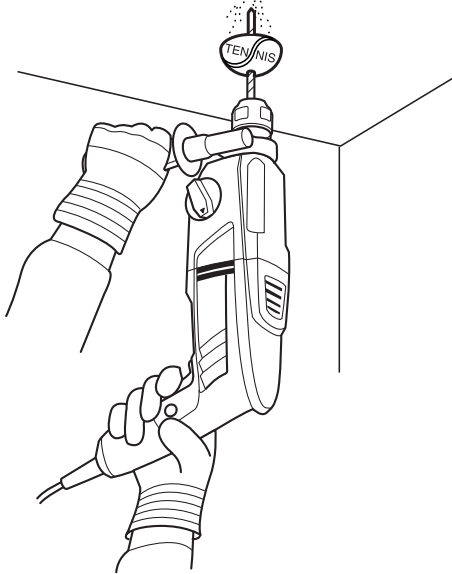
16



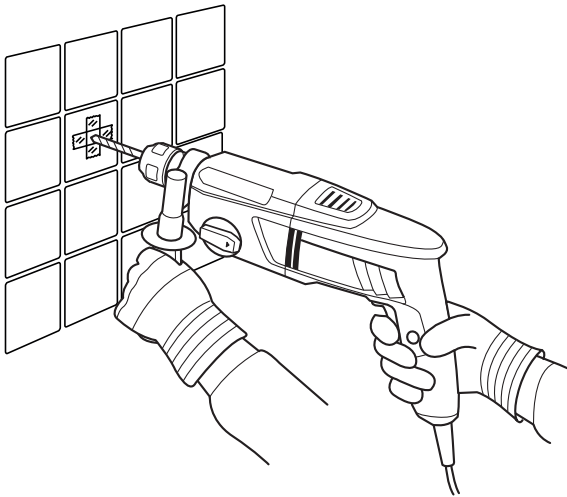




21



22



ACCESSORIES



WWW.SKIL.COM

## Rotary hammer

1763

### INTRODUCTION

- This tool is intended for hammer drilling in concrete, brick and stone as well as for light chiseling work; for drilling in wood, metal and plastic as well as for screwdriving specific accessories should be used
- The hammering system in this tool outperforms any traditional ratcheting drill when drilling in concrete
- This tool is not intended for professional use
- This tool is designed for use in combination with all standard SDS+ accessories
- Read and save this instruction manual ②

### TECHNICAL DATA ①

- \* Impact energy per stroke according to EPTA-Procedure 05/2009

### TOOL ELEMENTS ⑤

- A Switch for on/off and speed control
- B Wheel for maximum speed control
- C Button for switch locking
- D Lever for changing direction of rotation
- E Switch for selecting operating mode
- F Unlocking button
- G Locking sleeve
- H Adapter + 13 mm chuck
- J Auxiliary handle
- K Ventilation slots
- L Depth gauge

### SAFETY

#### GENERAL POWER TOOL SAFETY WARNINGS

**⚠ WARNING** Read all safety warnings, instructions, illustrations and specifications provided with this power tool. Failure to follow all instructions listed below may result in electric shock, fire and/or serious injury.

**Save all warnings and instructions for future reference.**

The term “power tool” in the warnings refers to your mains-operated (corded) power tool or battery-operated (cordless) power tool.

#### 1) WORK AREA SAFETY

- a) **Keep work area clean and well lit.** Cluttered or dark areas invite accidents.
- b) **Do not operate power tools in explosive atmospheres, such as in the presence of flammable liquids, gases or dust.** Power tools create sparks which may ignite the dust or fumes.
- c) **Keep children and bystanders away while operating a power tool.** Distractions can cause you to lose control.

#### 2) ELECTRICAL SAFETY

- a) **Power tool plugs must match the outlet. Never modify the plug in any way. Do not use any adapter plugs with earthed (grounded) power tools.** Unmodified plugs and matching outlets will reduce risk of electric shock.
- b) **Avoid body contact with earthed or grounded surfaces such as pipes, radiators, ranges and refrigerators.** There is an increased risk of electric shock if your body is earthed or grounded.
- c) **Do not expose power tools to rain or wet conditions.** Water entering a power tool will increase the risk of electric shock.
- d) **Do not abuse the cord. Never use the cord for carrying, pulling or unplugging the power tool. Keep cord away from heat, oil, sharp edges or moving parts.** Damaged or entangled cords increase the risk of electric shock.
- e) **When operating a power tool outdoors, use an extension cord suitable for outdoor use.** Use of a cord suitable for outdoor use reduces the risk of electric shock.
- f) **If operating a power tool in a damp location is unavoidable, use a residual current device (RCD) protected supply.** Use of an RCD reduces the risk of electric shock.

#### 3) PERSONAL SAFETY

- a) **Stay alert, watch what you are doing and use common sense when operating a power tool. Do not use a power tool while you are tired or under the influence of drugs, alcohol or medication.** A moment of inattention while operating power tools may result in serious personal injury.
- b) **Use personal protective equipment. Always wear eye protection.** Protective equipment such as dust mask, non-skid safety shoes, hard hat, or hearing protection used for appropriate conditions will reduce personal injuries.
- c) **Prevent unintentional starting. Ensure the switch is in the off-position before connecting to power source and/or battery pack, picking up or carrying the tool.** Carrying power tools with your finger on the switch or energising power tools that have the switch on invites accidents.
- d) **Remove any adjusting key or wrench before turning the power tool on.** A wrench or a key left attached to a rotating part of the power tool may result in personal injury.
- e) **Do not overreach. Keep proper footing and balance at all times.** This enables better control of the power tool in unexpected situations.
- f) **Dress properly. Do not wear loose clothing or jewellery. Keep your hair and clothing away from moving parts.** Loose clothes, jewellery or long hair can be caught in moving parts.
- g) **If devices are provided for the connection of dust extraction and collection facilities, ensure these are connected and properly used.** Use of dust collection can reduce dust-related hazards.
- h) **Do not let familiarity gained from frequent use of tools allow you to become complacent and ignore tool safety principles.** A careless action can cause severe injury within a fraction of a second.

#### 4) POWER TOOL USE AND CARE

- a) **Do not force the power tool. Use the correct power tool for your application.** The correct power tool will do the job better and safer at the rate for which it was designed.
  - b) **Do not use the power tool if the switch does not turn it on and off.** Any power tool that cannot be controlled with the switch is dangerous and must be repaired.
  - c) **Disconnect the plug from the power source and/or remove the battery pack, if detachable, from the power tool before making any adjustments, changing accessories, or storing power tools.** Such preventive safety measures reduce the risk of starting the power tool accidentally.
  - d) **Store idle power tools out of the reach of children and do not allow persons unfamiliar with the power tool or these instructions to operate the power tool.** Power tools are dangerous in the hands of untrained users.
  - e) **Maintain power tools and accessories. Check for misalignment or binding of moving parts, breakage of parts and any other condition that may affect the power tool's operation. If damaged, have the power tool repaired before use.** Many accidents are caused by poorly maintained power tools.
  - f) **Keep cutting tools sharp and clean.** Properly maintained cutting tools with sharp cutting edges are less likely to bind and are easier to control.
  - g) **Use the power tool, accessories and tool bits etc., in accordance with these instructions, taking into account the working conditions and the work to be performed.** Use of the power tool for operations different from those intended could result in a hazardous situation.
  - h) **Keep handles and grasping surfaces dry, clean and free from oil and grease.** Slippery handles and grasping surfaces do not allow for safe handling and control of the tool in unexpected situations.
- #### 5) SERVICE
- a) **Have your power tool serviced by a qualified repair person using only identical replacement parts.** This will ensure that the safety of the power tool is maintained.

#### SAFETY INSTRUCTIONS FOR HAMMERS

##### GENERAL


- Always check that the supply voltage is the same as the voltage indicated on the nameplate of the tool (tools with a rating of 230V or 240V can also be connected to a 220V supply)
  - This tool should not be used by people under the age of 16 years
  - **Do not work materials containing asbestos** (asbestos is considered carcinogenic)
  - Never use the tool when cord is damaged; have it replaced by a qualified person
  - **Always disconnect plug from power source before making any adjustment or changing any accessory**
- ##### ACCESSORIES

- SKIL can assure flawless functioning of the tool only when original accessories are used
- Use only accessories with an allowable speed matching at least the highest no-load speed of the tool

#### BEFORE USE

- Use completely unrolled and safe extension cords with a capacity of 16 Amps (U.K. 13 Amps)
- Avoid damage that can be caused by screws, nails and other elements in your workpiece; remove them before you start working
- **Secure the workpiece** (a workpiece clamped with clamping devices or in a vice is held more securely than by hand)
- **Use suitable detectors to find hidden utility lines or call the local utility company for assistance** (contact with electric lines can lead to fire or electrical shock; damaging a gas line can result in an explosion; penetrating a water pipe will cause property damage or an electrical shock)
- Dust from material such as paint containing lead, some wood species, minerals and metal may be harmful (contact with or inhalation of the dust may cause allergic reactions and/or respiratory diseases to the operator or bystanders); **wear a dust mask and work with a dust extraction device when connectable**
- Certain kinds of dust are classified as carcinogenic (such as oak and beech dust) especially in conjunction with additives for wood conditioning; **wear a dust mask and work with a dust extraction device when connectable**
- Follow the dust-related national requirements for the materials you want to work with

#### DURING USE

- **Wear ear protectors** (exposure to noise can cause hearing loss)
- **Use auxiliary handle(s), if supplied with the tool** (loss of control can cause personal injury)
- **Hold the power tool by insulated gripping surfaces, when performing an operation where the cutting accessory may contact hidden wiring or its own cord** (cutting accessory contacting a "live" wire may make exposed metal parts of the power tool "live" and could give the operator an electric shock)
- Always keep the cord away from moving parts of the tool
- In case of electrical or mechanical malfunction, immediately switch off the tool and disconnect the plug
- If the cord is damaged or cut through while working, do not touch the cord, but immediately disconnect the plug
- If the drill bit becomes unexpectedly jammed (causing a sudden, dangerous reaction), immediately switch off the tool
- Be aware of the forces that occur as a result of jamming (especially when drilling metals); **always use auxiliary handle J**  and take a secure stance

#### AFTER USE

- When you put away the tool, switch off the motor and ensure that all moving parts have come to a complete standstill

#### EXPLANATION OF SYMBOLS ON TOOL

- ② Read the instruction manual before use
- ③ Double insulation (no earth wire required)
- ④ Do not dispose of the tool together with household waste material

#### WHEN CONNECTING NEW 3-PIN PLUG (U.K. ONLY):

- Do not connect the blue (= neutral) or brown (= live) wire in the cord of this tool to the earth terminal of the plug
- If for any reason the old plug is cut off the cord of this tool, it must be disposed of safely and not left unattended

## USE

- On/off ⑥
- Switch locking for continuous use ⑦
- Speed control for smooth starting ⑧
- Maximum speed control ⑨  
With wheel B ⑤ the maximum speed can be adjusted steplessly from minimum to maximum
- Changing direction of rotation ⑩
  - when not properly set in left/right position, switch A cannot be activated
  - ! **change direction of rotation only when tool is at a complete standstill**
- Selecting operating mode ⑪
  - press button F to unlock switch E
  - turn switch E to the desired operating mode until it snap-locks
  - ! **start working only when switch E is locked**
    - 1 = normal drilling/screwdriving
    - 2 = impact drilling
    - 3 = chiseling with rotating chisel
    - 4 = chiseling with fixed chisel
  - ! **select operating mode only when tool is switched off and plug is disconnected**
  - the hammer mechanism is activated by applying a slight pressure on the tool when the drill bit is in contact with the workpiece
  - best hammer drilling results can be obtained by only a slight pressure on the tool; drilling performance will not improve by applying more pressure on the tool
- Chiseling with rotating chisel ⑫
  - ! **switch off the tool and disconnect the plug**
  - select "rotating" chiseling mode
- Chiseling with fixed chisel ⑬
  - ! **switch off the tool and disconnect the plug**
  - select "rotating" chiseling mode
  - place chisel in desired position
  - select "fixed" chiseling mode
- Changing bits ⑭
  - ! **clean and lightly lubricate the SDS+ accessory before insertion**
  - pull back locking sleeve G and insert accessory in SDS+ chuck while turning and pushing it until it engages; the accessory locks in position automatically
  - pull accessory to check that it is locked correctly
  - remove accessory by pulling back locking sleeve G
  - ! **the SDS+ accessory requires freedom of movement which causes eccentricity when tool is off-load; however, the accessory automatically centres itself during operation without affecting drilling precision**
  - ! **do not use bits/chisels with a damaged shank**
  - For drilling in wood, metal and plastic as well as for screwdriving use adapter H ⑮
    - clean and lightly lubricate adapter before insertion

- pull back locking sleeve G and insert adapter in SDS+ chuck while turning and pushing it until it engages; the adapter locks in position automatically
- pull adapter to check whether it is locked correctly
- set switch E ⑤ to normal drilling (**only activate when tool is switched off and plug is disconnected**)
- Safety clutch
  - If the accessory gets jammed, the drive to the spindle is interrupted (causing a rattling noise)
    - immediately switch off tool
    - remove the jammed accessory
    - switch on tool again
- Adjusting drilling depth ⑯
- Holding and guiding the tool ⑰
  - ! **while working, always hold the tool at the grey-coloured grip area(s)**
  - **always use auxiliary handle J** (can be adjusted as illustrated)
  - keep the ventilation slots uncovered
  - do not apply too much pressure on the tool; let the tool do the work for you

## APPLICATION ADVICE

- Use the appropriate bits ⑱
  - ! **only use sharp bits/chisels**
- When drilling ferrous metals
  - pre-drill a smaller hole, when a large hole is required
  - lubricate drill bit occasionally with oil
- When turning in a screw at/near the cross cut end or an edge of wood, pre-drill a hole in order to avoid cracking of the wood
- Splinterfree drilling in wood ⑲
- Dustfree drilling in walls ⑳
- Dustfree drilling in ceilings ㉑
- Drilling in tiles without skidding ㉒
- For more tips see [www.skil.com](http://www.skil.com)

## MAINTENANCE / SERVICE

- This tool is not intended for professional use
- Always keep tool and cord clean (especially ventilation slots K ⑤)
  - ! **disconnect the plug before cleaning**
- If the tool should fail despite the care taken in manufacturing and testing procedures, repair should be carried out by an after-sales service centre for SKIL power tools
  - send the tool **undismantled** together with proof of purchase to your dealer or the nearest SKIL service station (addresses as well as the service diagram of the tool are listed on [www.skil.com](http://www.skil.com))

## ENVIRONMENT

- **Do not dispose of electric tools, accessories and packaging together with household waste material** (only for EU countries)
  - in observance of European Directive 2012/19/EC on waste of electric and electronic equipment and its implementation in accordance with national law, electric tools that have reached the end of their life

must be collected separately and returned to an environmentally compatible recycling facility

- symbol ④ will remind you of this when the need for disposing occurs

## NOISE / VIBRATION

- Measured in accordance with EN 60745 the sound pressure level of this tool is 91.0 dB(A) and the sound power level 102.0 dB(A) (standard deviation: 3 dB), and the vibration \* (triax vector sum; uncertainty K = 1.5 m/s<sup>2</sup>)
    - \* when hammer drilling in concrete 12.3 m/s<sup>2</sup>
    - \* when chiseling 10.9 m/s<sup>2</sup>
  - The vibration emission level has been measured in accordance with a standardised test given in EN 60745; it may be used to compare one tool with another and as a preliminary assessment of exposure to vibration when using the tool for the applications mentioned
    - using the tool for different applications, or with different or poorly maintained accessories, may significantly increase the exposure level
    - the times when the tool is switched off or when it is running but not actually doing the job, may significantly reduce the exposure level
- ! protect yourself against the effects of vibration by maintaining the tool and its accessories, keeping your hands warm, and organizing your work patterns**

F

## Marteau perforateur

1763

### INTRODUCTION

- L'outil est conçu pour le martelage dans le béton, la brique et dans la pierre naturelle ainsi que pour d'autres travaux de burinage légers; pour le perçage dans le bois, le métal et les matières plastiques ainsi que pour le vissage il est nécessaire d'utiliser des accessoires spécifiques
- Le système martelage de cet outil surpasse largement la performance des perceuses à percussion traditionnelles lorsqu'il est utilisé dans le béton
- Cet outil n'est conçu pour un usage professionnel
- Cet outil convient parfaitement pour une utilisation avec tous les accessoires SDS+ standards
- Lisez et conservez ce manuel d'instruction ②

### CARACTERISTIQUES TECHNIQUES ①

- \* Puissance de frappe individuelle suivant EPTA-Procédure 05/2009

### ELEMENTS DE L'OUTIL ⑤

- A Interrupteur de marche/arrêt et réglage de vitesse
- B Molette de réglage de la vitesse maximum
- C Bouton de blocage de l'interrupteur
- D Levier pour inverser le sens de rotation
- E Commutateur pour sélectionner le mode de fonctionnement
- F Bouton de déblocage

- G Douille de verrouillage
- H Adaptateur + mandrin de 13 mm
- J Poignée auxiliaire
- K Fentes de ventilation
- L Jauge de profondeur

## SECURITE

### AVERTISSEMENTS DE SECURITE GENERAUX POUR L'OUTIL ELECTRIQUE

**AVERTISSEMENT** Lisez tous les avertissements de sécurité, les instructions, les illustrations et les spécifications fournis avec cet outil électrique. Ne pas suivre les instructions énumérées ci-dessous peut provoquer un choc électrique, un incendie et/ou une blessure sérieuse.

### Conservez tous les avertissements et toutes les instructions pour pouvoir s'y reporter ultérieurement.

Le terme "outil électrique" dans les avertissements se rapporte à des outils électriques raccordés au secteur (avec câble de raccordement) et à des outils électriques à batterie (sans câble de raccordement).

#### 1) SECURITE DE LA ZONE DE TRAVAIL

- a) **Maintenez l'endroit de travail propre et bien éclairé.**  
Un lieu de travail en désordre ou mal éclairé augmente le risque d'accidents.
- b) **N'utilisez pas l'outil électrique dans un environnement présentant des risques d'explosion et où se trouvent des liquides, des gaz ou poussières inflammables.** Les outils électriques génèrent des étincelles risquant d'enflammer les poussières ou les vapeurs.
- c) **Tenez les enfants et autres personnes éloignés durant l'utilisation de l'outil électrique.** En cas d'inattention vous risquez de perdre le contrôle sur l'outil électrique.

#### 2) SECURITE RELATIVE AU SYSTEME ELECTRIQUE

- a) **La fiche de secteur de l'outil électrique doit être appropriée à la prise de courant. Ne modifiez en aucun cas la fiche. N'utilisez pas de fiches d'adaptateur avec des outils électriques avec mise à la terre.** Les fiches non modifiées et les prises de courant appropriées réduisent le risque de choc électrique.
- b) **Évitez le contact physique avec des surfaces mises à la terre telles que tuyaux, radiateurs, fours et réfrigérateurs.** Il y a un risque élevé de choc électrique au cas où votre corps serait relié à la terre.
- c) **N'exposez pas l'outil électrique à la pluie ou à l'humidité.** La pénétration d'eau dans un outil électrique augmente le risque d'un choc électrique.
- d) **N'utilisez pas le câble à d'autres fins que celles prévues, n'utilisez pas le câble pour porter l'outil électrique ou pour l'accrocher ou encore pour le débrancher de la prise de courant. Maintenez le câble éloigné des sources de chaleur, des parties grasses, des bords tranchants ou des parties de l'outil électrique en rotation.** Un câble endommagé ou torsadé augmente le risque d'un choc électrique.

e) **Au cas où vous utiliseriez l'outil électrique à l'extérieur, utilisez une rallonge autorisée homologuée pour les applications extérieures.** L'utilisation d'une rallonge électrique homologuée pour les applications extérieures réduit le risque d'un choc électrique.

f) **Si l'usage d'un outil dans un emplacement humide est inévitable, utilisez un disjoncteur de fuite à la terre.** L'utilisation d'un disjoncteur de fuite à la terre réduit le risque de choc électrique.

### 3) SECURITE DES PERSONNES

a) **Restez vigilant, surveillez ce que vous faites. Faites preuve de bon sens en utilisant l'outil électrique. N'utilisez pas l'outil électrique lorsque vous êtes fatigué ou après avoir consommé de l'alcool, des drogues ou avoir pris des médicaments.** Un moment d'inattention lors de l'utilisation de l'outil électrique peut entraîner de graves blessures sur les personnes.

b) **Portez des équipements de protection. Portez toujours des lunettes de protection.** Le fait de porter des équipements de protection personnels tels que masque anti-poussières, chaussures de sécurité antidérapantes, casque de protection ou protection acoustique suivant le travail à effectuer, réduit le risque de blessures.

c) **Évitez tout démarrage intempestif. S'assurez que l'interrupteur est en position arrêt avant de brancher l'outil au secteur et/ou au bloc de batteries, de le ramasser ou de le porter.** Porter les outils en ayant le doigt sur l'interrupteur ou brancher des outils dont l'interrupteur est en position marche est source d'accidents.

d) **Enlevez tout outil de réglage ou toute clé avant de mettre l'outil électrique en fonctionnement.** Une clé ou un outil se trouvant sur une partie en rotation peut causer des blessures.

e) **Ne surestimez pas vos capacités. Veillez à garder toujours une position stable et équilibrée.** Ceci vous permet de mieux contrôler l'outil électrique dans des situations inattendues.

f) **Portez des vêtements appropriés. Ne portez pas de vêtements amples ni de bijoux. Gardez les cheveux et les vêtements à distance des parties en mouvement.** Des vêtements amples, des bijoux ou des cheveux longs peuvent être happés par des pièces en mouvement.

g) **Si des dispositifs servant à aspirer ou à recueillir les poussières doivent être utilisés, vérifiez que ceux-ci soient effectivement raccordés et qu'ils sont correctement utilisés.** L'utilisation des collecteurs de poussière réduit les dangers dus aux poussières.

h) **Restez vigilant et ne pas négligez les principes de sécurité de l'outil sous prétexte que vous avez l'habitude de l'utiliser.** Une fraction de seconde d'inattention peut provoquer une blessure grave.

### 4) UTILISATION ET EMPLOI SOIGNEUX DE L'OUTIL ELECTRIQUE

a) **Ne surchargez pas l'outil électrique. Utilisez l'outil électrique approprié au travail à effectuer.** Avec l'outil électrique approprié, vous travaillerez mieux et avec plus de sécurité à la vitesse pour laquelle il est prévu.

b) **N'utilisez pas un outil électrique dont l'interrupteur est défectueux.** Un outil électrique qui ne peut plus être

mis en ou hors fonctionnement est dangereux et doit être réparé.

c) **Débranchez la fiche de la source d'alimentation et/ ou enlevez le bloc de batteries, s'il est amovible, avant tout réglage, changement d'accessoires ou avant de ranger l'outil électrique.** De telles mesures de sécurité préventives réduisent le risque de démarrage accidentel de l'outil électrique.

d) **Gardez les outils électriques non utilisés hors de portée des enfants. Ne permettez pas l'utilisation de l'outil électrique à des personnes qui ne se sont pas familiarisées avec celui-ci ou qui n'ont pas lu ces instructions.** Les outils électriques sont dangereux lorsqu'ils sont utilisés par des personnes non initiées.

e) **Observez la maintenance des outils électriques et des accessoires. Vérifiez que les parties en mouvement fonctionnent correctement et qu'elles ne soient pas coincées, et contrôlez si des parties sont cassées ou endommagées de telle sorte que le bon fonctionnement de l'outil électrique s'en trouve entravé. Faites réparer les parties endommagées avant d'utiliser l'outil électrique.** De nombreux accidents sont dus à des outils électriques mal entretenus.

f) **Maintenez les outils de coupe aiguisés et propres.** Des outils soigneusement entretenus avec des bords tranchants bien aiguisés se coincent moins souvent et peuvent être guidés plus facilement.

g) **Utilisez l'outil électrique, les accessoires, les outils à monter etc. conformément à ces instructions. Tenez compte également des conditions de travail et du travail à effectuer.** L'utilisation de l'outil électrique à d'autres fins que celles prévues peut entraîner des situations dangereuses.

h) **Il faut que les poignées et les surfaces de préhension restent sèches, propres et dépourvues d'huiles et de graisses.** Des poignées et des surfaces de préhension glissantes rendent impossibles la manipulation et le contrôle en toute sécurité de l'outil dans les situations inattendues.

### 5) SERVICE

a) **Ne faites réparer votre outil électrique que par un personnel qualifié et seulement avec des pièces de rechange d'origine.** Ceci permet d'assurer la sécurité de l'outil électrique.

## INSTRUCTIONS DE SECURITE POUR PERFORATEURS

### GENERALITES

- Contrôlez toujours si la tension secteur correspond à la tension indiquée sur la plaquette signalétique de l'outil (les outils conçus pour une tension de 230V ou 240V peuvent également être branchés sur 220V)
- Cet outil ne doit pas être utilisé par des personnes de moins de 16 ans
- **Ne travaillez pas de matériaux contenant de l'amiante** (l'amiante est considérée comme étant cancérigène)
- N'utilisez jamais d'outil avec un câble endommagé; faites-le remplacer par un technicien qualifié
- **Débranchez toujours l'outil avant tout réglage ou changement d'accessoire**

## ACCESSOIRES

- SKIL ne peut se porter garant du bon fonctionnement de cet outil que s'il a été utilisé avec les accessoires d'origine
- La vitesse admissible des accessoires utilisées doit être au moins aussi élevée que la vitesse à vide maximale de l'outil

## AVANT L'USAGE

- Utilisez un câble de prolongement complètement déroulé et de bonne qualité d'une capacité de 16 A
- Faites attention aux vis, clous ou autres éléments qui pourraient se trouver dans la pièce à travailler et qui risqueraient d'endommager très fortement votre outil; enlevez-les avant de commencer le travail
- **Fixez solidement la pièce à travailler** (une pièce fixée à l'aide de dispositifs de fixation est davantage assurée que si elle était tenue à la main)
- **Utilisez des détecteurs appropriés afin de localiser la présence de conduites électriques ou bien s'adresser à la société locale de distribution** (un contact avec des lignes électriques peut provoquer un incendie et une décharge électrique; le fait d'endommager une conduite de gaz peut entraîner une explosion; le fait d'endommager une conduite d'eau peut entraîner des dégâts matériels ou causer une décharge électrique)
- La poussière de matériaux, tels que la peinture contenant du plomb, certaines espèces de bois, certains minéraux et différents métaux, peut être nocive (le contact avec la poussière ou son inhalation peut provoquer des réactions allergiques et/ou des maladies respiratoires chez l'opérateur ou des personnes se trouvant à proximité); **portez un masque antipoussières et travaillez avec un appareil de dé poussiérage lorsqu'il est possible d'en connecter un**
- Certains types de poussières sont classifiés comme étant cancérigènes (tels que la poussière de chêne ou de hêtre), en particulier en combinaison avec des additifs de traitement du bois; **portez un masque antipoussières et travaillez avec un appareil de dé poussiérage lorsqu'il est possible d'en connecter un**
- Suivez les directives nationales relatives au dé poussiérage pour les matériaux à travailler

## PENDANT L'USAGE

- **Portez des protections auditives** (l'exposition aux bruits peut provoquer une perte de l'audition)
- **Utilisez la(les) poignée(s) auxiliaire(s) fournie(s) avec l'outil** (la perte de contrôle peut provoquer des blessures)
- **Tenez l'outil par les surfaces de préhension isolées, lors de la réalisation d'une opération au cours de laquelle l'accessoire de coupe peut entrer en contact avec un câblage non apparent ou son propre câble d'alimentation** (le contact avec un fil sous tension peut également mettre sous tension les parties métalliques de l'outil électrique et provoquer un choc électrique sur l'opérateur)
- Tenez toujours le câble éloigné des parties mobiles de l'outil
- En cas de dysfonctionnement électrique ou mécanique, mettez directement l'outil hors service et débranchez la fiche
- Si le câble est endommagé ou rompu pendant le travail, n'y touchez pas, mais débranchez immédiatement la prise

- En cas de blocage de la mèche (générant une contre-réaction violente et dangereuse), éteignez immédiatement l'outil
- Assurez-vous des forces en jeu consécutives au blocage (spécialement durant le perçage des métaux); **utilisez toujours la poignée auxiliaire J 5** et adoptez une position de travail stable et sûre

## APRES L'USAGE

- Lorsque vous rangez votre outil, le moteur doit être coupé et les pièces mobiles complètement arrêtées

## EXPLICATION DES SYMBOLES SUR L'OUTIL

- ② Veuillez lire le mode d'emploi avant d'utiliser l'outil
- ③ Double-isolation (ne nécessite pas de mise à la terre)
- ④ Ne jetez pas l'outil dans les ordures ménagères

## UTILISATION

- Marche/arrêt ⑥
- Blocage de l'interrupteur pour marche continue ⑦
- Réglage de la vitesse pour démarrage doux ⑧
- Réglage de la vitesse maximum ⑨  
La molette B ⑤ vous permet de régler sans paliers la vitesse maximum de minimum au maximum
- Inversion du sens de rotation ⑩
  - quand l'outil n'est pas réglé exactement sur la position gauche/droite, il ne peut être mis en marche
  - ! **inversez uniquement le sens de rotation lorsque l'outil est à l'arrêt complet**
- Sélection du mode de fonctionnement ⑪
  - appuyez sur le bouton F pour débloquer le commutateur E
  - sélectionnez le mode de fonctionnement de votre choix en tournant le commutateur E jusqu'à ce qu'il se bloque
  - ! **ne commencez à travailler que lorsque le commutateur E est bloqué**
    - 1 = perçage normal/vissage
    - 2 = perçage de percussion
    - 3 = ciselage avec ciseau rotatif
    - 4 = ciselage avec ciseau fixe
  - ! **sélectionnez le mode de fonctionnement uniquement lorsque l'outil n'est pas sous tension et la fiche est débranchée**
  - le mécanisme de martelage est déclenché par une légère pression sur l'outil lorsque la mèche est en contact avec le matériau à travailler
  - de performants résultats de martelage ne sont obtenus que par une légère pression sur l'outil; une pression plus important n'accroît en aucun cas les performances de perçage
- Ciselage avec ciseau rotatif ⑫
  - ! **arrêtez l'outil et débranchez la prise**
    - sélectionnez le mode de ciselage "rotatif"
- Ciselage avec ciseau fixe ⑬
  - ! **arrêtez l'outil et débranchez la prise**
    - sélectionnez le mode de ciselage "rotatif"
    - placez le ciseau dans la position souhaitée
    - sélectionnez le mode de ciselage "fixe"
- Changement des embouts ⑭
  - ! **nettoyez l'accessoire SDS+ avant l'emploi et le graissez légèrement**
    - tirez sur la douille de verrouillage G et insérez l'accessoire dans le mandrin SDS+ tout en l'enfonçant



en tournant jusqu'à ce qu'il s'enclanche; l'accessoire se bloque de lui-même

- tirez sur l'accessoire pour contrôler qu'il est bien bloqué
- retirez l'accessoire en tirant sur la douille de verrouillage G

! **l'accessoire SDS+ doit rester mobile ce qui entraîne un effet visuel excentrique lorsque l'outil est en marche; cependant, le centrage de l'accessoire se fait automatiquement durant l'opération sans que la précision du perçage ne soit affectée**

! **ne pas utiliser des embouts/ciseaux avec une queue endommagée**

Pour le perçage dans le bois, le métal et les matières plastiques ainsi que pour le vissage utilisez l'adaptateur H (15)

- nettoyez l'adaptateur avant l'emploi et le graissez légèrement
- tirez sur la douille de verrouillage G et insérez l'adaptateur dans le mandrin SDS+ tout en l'enfonçant en tournant jusqu'à ce qu'il s'enclanche; l'adaptateur se bloque de lui-même
- tirez sur l'adaptateur pour contrôler qu'il est bien bloqué
- sélectionnez la fonction perçage normal avec l'interrupteur E (5) (**uniquement lorsque l'outil n'est pas sous tension et la fiche est débranchée**)
- Embrayage de sécurité  
En cas de blocage de l'accessoire, l'entraînement de l'arbre est interrompu (générant un bruit de crécelle)
  - débranchez immédiatement l'outil
  - retirez l'accessoire bloqué
  - remettez en marche l'outil
- Réglage de la profondeur de perçage (16)
- Tenue et guidage de l'outil (17)  
! **lorsque vous travaillez, tenez toujours l'outil par la(les) zone(s) de couleur grise**
  - **utilisez toujours la poignée auxiliaire J** (peut être réglée comme illustré)
  - tenez les fentes de ventilation dégagées
  - ne pas appuyez trop fortement sur l'outil; laissez l'outil travailler pour vous

## CONSEILS D'UTILISATION

- Utilisez les embouts appropriés (18)  
! **utilisez seulement des embouts/ciseaux bien affûtés**
- Quand vous percez des métaux ferreux
  - pour faire un gros trou, faites un avant-trou plus petit
  - lubrifiez le foret de temps en temps
- Quand vous devez visser une vis près d'une arête de bois ou à la fin d'une coupe transversale, il est préférable de faire un avant-trou afin d'éviter de faire craquer le bois
- Perçage sans éclat en bois (19)
- Perçage sans poussières dans les murs (20)
- Perçage sans poussières dans les plafonds (21)
- Perçage des carreaux sans glisser (22)
- Pour des suggestions complémentaires voyez [www.skil.com](http://www.skil.com)

## ENTRETIEN / SERVICE APRES-VENTE

- Cet outil n'est pas conçu pour un usage professionnel
- Gardez toujours votre outil et le câble propres (spécialement les aérations K (5))  
! **débranchez la fiche avant le nettoyage**
- Si, malgré tous les soins apportés à la fabrication et au contrôle de l'outil, celui-ci devait avoir un défaut, la réparation ne doit être confiée qu'à une station de service après-vente agréée pour outillage SKIL
  - retournez l'outil **non démonté** avec votre preuve d'achat au revendeur ou au centre de service après-vente SKIL le plus proche (les adresses ainsi que la vue éclatée de l'outil figurent sur [www.skil.com](http://www.skil.com))

## ENVIRONNEMENT

- **Ne jetez pas les outils électriques, les accessoires et l'emballage dans les ordures ménagères** (pour les pays européens uniquement)
  - conformément à la directive européenne 2012/19/EG relative aux déchets d'équipements électriques ou électroniques, et à sa transposition dans la législation nationale, les outils électriques usés doivent être collectés séparément et faire l'objet d'un recyclage respectueux de l'environnement
  - le symbole (4) vous le rappellera au moment de la mise au rebut de l'outil



## BRUIT / VIBRATION

- Mesuré selon EN 60745 le niveau de la pression sonore de cet outil est 91,0 dB(A) et le niveau de la puissance sonore 102,0 dB(A) (déviat standard: 3 dB), et la vibration \* (somme vectorielle des trois axes directionnels; incertitude K = 1,5 m/s<sup>2</sup>)
  - \* pendant le martelage au béton 12,3 m/s<sup>2</sup>
  - \* pendant le burinage 10,9 m/s<sup>2</sup>
- Le niveau de vibrations émises a été mesuré conformément à l'essai normalisé de la norme EN 60745; il peut être utilisé pour comparer plusieurs outils et pour réaliser une évaluation préliminaire de l'exposition aux vibrations lors de l'utilisation de l'outil pour les applications mentionnées
  - l'utilisation de l'outil dans d'autres applications, ou avec des accessoires différents ou mal entretenus, peut considérablement **augmenter** le niveau d'exposition
  - la mise hors tension de l'outil et sa non-utilisation pendant qu'il est allumé peuvent considérablement **réduire** le niveau d'exposition
- ! **protégez-vous contre les effets des vibrations par un entretien correct de l'outil et de ses accessoires, en gardant vos mains chaudes et en structurant vos schémas de travail**

## Bohrhammer

1763

### EINLEITUNG

- Das Werkzeug ist bestimmt zum Hammerbohren in Beton, Ziegel und Stein sowie für leichte Meißelarbeiten; zum Bohren in Holz, Metall und Kunststoff sowie für Schraubarbeiten sollte spezifisches Zubehör verwendet werden
- Das Hammerbohr-System bei diesem Werkzeug übertrifft bei weitem alle Schlagbohrmaschinen beim Bohren in Beton
- Dieses Werkzeug eignet sich nicht für den professionellen Einsatz
- Dieses Werkzeug erlaubt den Gebrauch jedes normalen SDS+ Zubehörs
- Bitte diese Bedienungsanleitung sorgfältig lesen und aufbewahren ②

### TECHNISCHE DATEN ①

\* Einzelschlagstärke entsprechend EPTA-Procedure 05/2009

### WERKZEUGKOMPONENTEN ⑤

- A Schalter zum Ein-Aus-Schalten und zur Drehzahlregelung
- B Rad zur Maximalgeschwindigkeits-Kontrolle
- C Knopf zum Feststellen des Schalters
- D Hebel zum Umschalten der Drehrichtung
- E Schalter zum Wählen der Betriebsart
- F Entriegelungstaste
- G Verriegelungshülse
- H Adapter + 13 mm Bohrfutter
- J Zusatzgriff
- K Lüftungsschlitze
- L Tiefenanschlag

### SICHERHEIT

#### ALLGEMEINE SICHERHEITSHINWEISE FÜR ELEKTROWERKZEUGE

**⚠️ WARNUNG** Lesen Sie alle Sicherheitshinweise, Anweisungen, Gebildungen und technischen Daten, mit denen dieses Elektrowerkzeug versehen ist.

Versäumnisse bei der Einhaltung der nachfolgenden Anweisungen können elektrischen Schlag, Brand und/oder schwere Verletzungen verursachen.

**Bewahren Sie alle Sicherheitshinweise und Anweisungen für die Zukunft auf.**

Der in den Sicherheitshinweisen verwendete Begriff "Elektrowerkzeug" bezieht sich auf netzbetriebene Elektrowerkzeuge (mit Netzkabel) und auf akkubetriebene Elektrowerkzeuge (ohne Netzkabel).

#### 1) ARBEITSPLATZSICHERHEIT

- a) **Halten Sie Ihren Arbeitsbereich sauber und gut beleuchtet.** Unordnung oder unbeleuchtete Arbeitsbereiche können zu Unfällen führen.
- b) **Arbeiten Sie mit dem Elektrowerkzeug nicht in explosionsgefährdeter Umgebung, in der sich brennbare Flüssigkeiten, Gase oder Stäube befinden.** Elektrowerkzeuge erzeugen Funken, die den Staub oder die Dämpfe entzünden können.
- c) **Halten Sie Kinder und andere Personen während der Benutzung des Elektrowerkzeuges fern.** Bei Ablenkung können Sie die Kontrolle über das Elektrowerkzeug verlieren.

#### 2) ELEKTRISCHE SICHERHEIT

- a) **Der Anschlussstecker des Elektrowerkzeuges muss in die Steckdose passen. Der Stecker darf in keiner Weise verändert werden. Verwenden Sie keine Adapterstecker gemeinsam mit schutzgeerdeten Elektrowerkzeugen.** Unveränderte Stecker und passende Steckdosen verringern das Risiko eines elektrischen Schlages.
  - b) **Vermeiden Sie Körperkontakt mit geerdeten Oberflächen, wie von Rohren, Heizungen, Herden und Kühlschränken.** Es besteht ein erhöhtes Risiko durch elektrischen Schlag, wenn Ihr Körper geerdet ist.
  - c) **Halten Sie das Elektrowerkzeug von Regen oder Nässe fern.** Das Eindringen von Wasser in ein Elektrogerät erhöht das Risiko eines elektrischen Schlages.
  - d) **Zweckentfremden Sie das Kabel nicht, um das Elektrowerkzeug zu tragen, aufzuhängen oder um den Stecker aus der Steckdose zu ziehen. Halten Sie das Kabel fern von Hitze, Öl, scharfen Kanten oder sich bewegenden Elektrowerkzeugteilen.** Beschädigte oder verwickelte Kabel erhöhen das Risiko eines elektrischen Schlages.
  - e) **Wenn Sie mit einem Elektrowerkzeug im Freien arbeiten, verwenden Sie nur Verlängerungskabel, die auch für den Außenbereich zugelassen sind.** Die Anwendung eines für den Außenbereich geeigneten Verlängerungskabels verringert das Risiko eines elektrischen Schlages.
  - f) **Wenn der Betrieb des Elektrowerkzeuges in feuchter Umgebung nicht vermeidbar ist, verwenden Sie einen Fehlerstromschutzschalter.** Der Einsatz eines Fehlerstromschutzschalters vermindert das Risiko eines elektrischen Schlages.
- #### 3) SICHERHEIT VON PERSONEN
- a) **Seien Sie aufmerksam, achten Sie darauf, was Sie tun, und gehen Sie mit Vernunft an die Arbeit mit einem Elektrowerkzeug. Benutzen Sie das Elektrowerkzeug nicht, wenn Sie müde sind oder unter dem Einfluss von Drogen, Alkohol oder Medikamenten stehen.** Ein Moment der Unachtsamkeit beim Gebrauch des Elektrowerkzeuges kann zu ernsthaften Verletzungen führen.
  - b) **Tragen Sie persönliche Schutzausrüstung und immer eine Schutzbrille.** Das Tragen persönlicher Schutzausrüstung, wie Staubmaske, rutschfeste Sicherheitsschuhe, Schutzhelm oder Gehörschutz, je nach Art und Einsatz des Elektrowerkzeuges, verringert das Risiko von Verletzungen.

- c) **Vermeiden Sie eine unbeabsichtigte Inbetriebnahme.** Vergewissern Sie sich, dass das Elektrowerkzeug ausgeschaltet ist, bevor Sie es an die Stromversorgung und/oder den Akku anschließen, es aufnehmen oder tragen. Wenn Sie beim Tragen des Elektrowerkzeuges den Finger am Schalter haben oder das Elektrowerkzeug eingeschaltet an die Stromversorgung anschließen, kann dies zu Unfällen führen.
- d) **Entfernen Sie Einstellwerkzeuge oder Schraubenschlüssel, bevor Sie das Elektrowerkzeug einschalten.** Ein Werkzeug oder Schlüssel, der sich in einem drehenden Elektrowerkzeugeteil befindet, kann zu Verletzungen führen.
- e) **Überschätzen Sie sich nicht. Sorgen Sie für einen sicheren Stand und halten Sie jederzeit das Gleichgewicht.** Dadurch können Sie das Elektrowerkzeug in unerwarteten Situationen besser kontrollieren.
- f) **Tragen Sie geeignete Kleidung. Tragen Sie keine weite Kleidung oder Schmuck. Halten Sie Haare und Kleidung fern von sich bewegenden Teilen.** Lockere Kleidung, Schmuck oder lange Haare können von sich bewegenden Teilen erfasst werden.
- g) **Wenn Staubabsaug- und -auffangeinrichtungen montiert werden können, vergewissern Sie sich, dass diese angeschlossen sind und richtig verwendet werden.** Verwendung einer Staubabsaugung verringert Gefährdungen durch Staub.
- h) **Wiegen Sie sich nicht in falscher Sicherheit und setzen Sie sich nicht über die Sicherheitsregeln für Elektrowerkzeuge hinweg, auch wenn Sie nach vielfachem Gebrauch mit dem Elektrowerkzeug vertraut sind.** Achtloses Handeln kann binnen Sekundenbruchteilen zu schweren Verletzungen führen.
- 4) SORGFÄLTIGER UMGANG UND GEBRAUCH VON ELEKTROWERKZEUGEN**
- a) **Überlasten Sie das Elektrowerkzeug nicht. Verwenden Sie für Ihre Arbeit das dafür bestimmte Elektrowerkzeug.** Mit dem passenden Elektrowerkzeug arbeiten Sie besser und sicherer im angegebenen Leistungsbereich.
- b) **Benutzen Sie kein Elektrowerkzeug, dessen Schalter defekt ist.** Ein Elektrowerkzeug, das sich nicht mehr ein- oder ausschalten lässt, ist gefährlich und muss repariert werden.
- c) **Ziehen Sie den Stecker aus der Steckdose und/oder entfernen Sie einen abnehmbaren Akku, bevor Sie Geräteeinstellungen vornehmen, Zubehörteile wechseln oder das Elektrowerkzeug weglegen.** Diese Vorsichtsmaßnahme verhindert den unbeabsichtigten Start des Elektrowerkzeuges.
- d) **Bewahren Sie unbenutzte Elektrowerkzeuge außerhalb der Reichweite von Kindern auf. Lassen Sie Personen das Elektrowerkzeug nicht benutzen, die mit diesem nicht vertraut sind oder diese Anweisungen nicht gelesen haben.** Elektrowerkzeuge sind gefährlich, wenn Sie von unerfahrenen Personen benutzt werden.
- e) **Pflegen Sie Elektrowerkzeuge und Zubehör mit Sorgfalt. Kontrollieren Sie, ob bewegliche**

**Elektrowerkzeugeteile einwandfrei funktionieren und nicht klemmen, ob Teile gebrochen oder so beschädigt sind, dass die Funktion des Elektrowerkzeuges beeinträchtigt ist. Lassen Sie beschädigte Teile vor dem Einsatz des Elektrowerkzeuges reparieren.** Viele Unfälle haben ihre Ursache in schlecht gewarteten Elektrowerkzeugen.

- f) **Halten Sie Schneidwerkzeuge scharf und sauber.** Sorgfältig gepflegte Schneidwerkzeuge mit scharfen Schneidkanten verklemmen sich weniger und sind leichter zu führen.
- g) **Verwenden Sie Elektrowerkzeug, Zubehör, Einsatzwerkzeuge usw. entsprechend diesen Anweisungen. Berücksichtigen Sie dabei die Arbeitsbedingungen und die auszuführende Tätigkeit.** Der Gebrauch von Elektrowerkzeugen für andere als die vorgesehenen Anwendungen kann zu gefährlichen Situationen führen.
- h) **Halten Sie Griffe und Griffflächen trocken, sauber und frei von Öl und Fett.** Rutschige Griffe und Griffflächen erlauben keine sichere Bedienung und Kontrolle des Elektrowerkzeuges in unvorhergesehenen Situationen.

## 5) SERVICE

- a) **Lassen Sie Ihr Elektrowerkzeug nur von qualifiziertem Fachpersonal und nur mit Original-Ersatzteilen reparieren.** Damit wird sichergestellt, dass die Sicherheit des Elektrowerkzeuges erhalten bleibt.

## SICHERHEITSHINWEISE FÜR BOHRHAMMER

### ALLGEMEINES

- Stets nachprüfen, daß die Netzspannung mit der auf dem Typenschild des Werkzeuges angegebenen Spannung übereinstimmt (mit 230V oder 240V beschriftete Werkzeuge können auch an 220V betrieben werden)
- Der Benutzer dieses Werkzeuges sollte älter als 16 Jahre sein
- **Bearbeiten Sie kein asbesthaltiges Material** (Asbest gilt als krebserregend)
- Werkzeug nicht weiter verwenden, wenn das Kabel beschädigt ist; lassen Sie dieses von einem anerkannten Elektrofachmann ersetzen
- **Ziehen Sie grundsätzlich den Netzstecker, bevor Sie beliebige Änderungen an den Einstellungen oder einen Zubehörwechsel vornehmen**

### ZUBEHÖR

- SKIL kann nur dann die einwandfreie Funktion des Werkzeuges zusichern, wenn Original-Zubehör verwendet wird
- Nur Zubehör verwenden, dessen zulässige Drehzahl mindestens so hoch ist wie die höchste Leerlaufdrehzahl des Werkzeuges

### VOR DER ANWENDUNG

- Bei Benutzung von Verlängerungskabeln ist darauf zu achten, daß das Kabel vollständig abgerollt ist und eine Kapazität von 16 A hat
- Beschädigungen durch Schrauben, Nägel und ähnliches an Ihrem Werkstück vermeiden; diese vor Arbeitsbeginn entfernen
- **Sichern Sie das Werkstück** (ein mit Spannvorrichtungen oder Schraubstock festgehaltenes Werkstück ist sicherer gehalten als mit der Hand)

- **Verwenden Sie geeignete Suchgeräte, um verborgene Versorgungsleitungen aufzuspüren, oder ziehen Sie die örtliche Versorgungsgesellschaft hinzu** (Kontakt mit Elektroleitungen kann zu Feuer und elektrischem Schlag führen; Beschädigung einer Gasleitung kann zur Explosion führen; Eindringen in eine Wasserleitung verursacht Sachbeschädigung oder kann einen elektrischen Schlag verursachen)
- Staub von Materialien wie Farbe, die Blei enthält, einigen Holzarten, Mineralien und Metall kann schädlich sein (Kontakt mit oder Einatmen des Staubs kann zu allergischen Reaktionen und/oder Atemwegskrankheiten beim Bediener oder Umstehenden führen); **tragen Sie eine Staubmaske und arbeiten Sie mit einem Staubabsaugungssystem, wenn ein solches angeschlossen werden kann**
- Bestimmte Arten von Staub sind als karzinogen klassifiziert (beispielsweise Eichen- und Buchenholzstaub), insbesondere in Verbindung mit Zusätzen für die Holzvorbehandlung; **tragen Sie eine Staubmaske und arbeiten Sie mit einem Staubabsaugungssystem, wenn ein solches angeschlossen werden kann**
- Beachten Sie die für Ihr verwendetes Verbrauchsmaterial gültigen nationalen Staubschutzvorgaben

#### WÄHREND DER ANWENDUNG

- **Tragen Sie Gehörschutz** (die Einwirkung von Lärm kann Gehörverlust bewirken)
- **Benutzen Sie mit dem Werkzeug gelieferte Zusatzhandgriffe** (der Verlust der Kontrolle kann zu Verletzungen führen)
- **Halten Sie das Elektrowerkzeug an den isolierten Griffflächen, wenn Sie Arbeiten ausführen, bei denen das Einsatzwerkzeug verborgene Stromleitungen oder das eigene Netzkabel treffen kann** (der Kontakt mit einer spannungsführenden Leitung kann auch Metallteile des Elektrowerkzeuges unter Spannung setzen und zu einem elektrischen Schlag führen)
- Das Kabel immer von umlaufenden Teilen des Werkzeuges fernhalten
- Bei elektrischer oder mechanischer Fehlfunktion das Werkzeug sofort ausschalten und den Netzstecker ziehen
- Wird bei der Arbeit das Kabel beschädigt oder durchtrennt, Kabel nicht berühren, sondern sofort den Netzstecker ziehen
- Im Falle des unerwarteten Blockierens des Bohrers (mit einer ruckartigen gefährlichen Reaktion), das Werkzeug sofort abschalten
- Beachten Sie die auftretenden Kräfte beim Blockieren (besonders beim Bohren in Metall); **das Werkzeug immer am Seitengriff J ⑤ festhalten und einen sicheren Stand einnehmen**

#### NACH DER ANWENDUNG

- Sobald Sie sich von Ihrem Werkzeug entfernen, sollte dieses ausgeschaltet werden und die sich bewegenden Teile vollkommen zum Stillstand gekommen sein

#### ERKLÄRUNG DER SYMBOLE AUF DEM WERKZEUG

- ② Die Bedienungsanleitung vor dem Gebrauch lesen
- ③ Doppelte Isolierung (kein Erdleiter erforderlich)
- ④ Das Werkzeug nicht in den Hausmüll werfen

## BEDIENUNG

- Ein-/Aus-Schalten ⑥
  - Arretierung des Schalters für Dauerlauf ⑦
  - Drehzahlregulierung für Sanftanlauf ⑧
  - Maximalgeschwindigkeits-Kontrolle ⑨  
Mit dem Rad B ⑤ wird die Maximalgeschwindigkeit stufenlos von minimal bis maximal eingestellt
  - Umschalten der Drehrichtung ⑩
    - wenn die links/rechts Position nicht richtig einrastet, kann der Schalter A nicht betätigt werden
    - ! **Drehrichtung nur dann umschalten, wenn das Werkzeug vollkommen stillsteht**
  - Wählen der Betriebsart ⑪
    - Taste F drücken um Schalter E zu entriegeln
    - Schalter E in die gewünschte Betriebsart drehen, bis er einrastet
    - ! **nur mit der Arbeit anfangen, wenn Schalter E verriegelt ist**
      - 1 = normales Bohren/Schrauben
      - 2 = Schlagbohren
      - 3 = Meißeln mit rotierendem Meißel
      - 4 = Meißeln mit feststehendem Meißel
    - ! **Betriebsart nur wählen wenn das Werkzeug ausgeschaltet und der Netzstecker gezogen ist**
    - der Hammerbohr-Mechanismus wird durch einen leichten Druck auf das Werkzeug eingeschaltet, wenn der Bohrer in Kontakt mit dem Werkstück kommt
    - beste Hammerbohrergebnisse können nur durch einen leichten Druck auf das Werkzeug erzielt werden; größerer Druck verbessert nicht das Bohrerergebnis
  - Meißeln mit rotierendem Meißel ⑫
    - ! **das Werkzeug ausschalten und den Netzstecker ziehen**
    - die Betriebsart für "rotierendes" Meißeln wählen
  - Meißeln mit feststehendem Meißel ⑬
    - ! **das Werkzeug ausschalten und den Netzstecker ziehen**
    - die Betriebsart für "rotierendes" Meißeln wählen
    - den Meißel in die gewünschte Stellung bringen
    - die Betriebsart für "feststehendes" Meißeln wählen
  - Wechseln von Bits ⑭
    - ! **SDS+ Zubehör vor Einsetzen reinigen und leicht fetten**
    - Verriegelungshülse G zurückziehen und das Zubehör in das SDS+ Bohrfutter drehend und hineinschiebend bis zum Einrasten einführen; das Zubehör verriegelt sich selbsttätig
    - Verriegelung durch Ziehen am Zubehör prüfen
    - Zubehör entfernen durch Zurückziehen der Verriegelungshülse G
    - ! **das SDS+ Zubehör muß frei beweglich sein, wodurch beim Leerlauf eine Rundlaufabweichung entsteht, die sich beim Bohren selbsttätig zentriert; dies hat keine Auswirkungen auf die Genauigkeit des Bohrlochs**
    - ! **keine Bits/Meißel mit beschädigtem Schaft benutzen**
- Zum Bohren in Holz, Metall und Kunststoff sowie zum Schrauben Adapter H ⑮ verwenden
- Adapter vor Einsetzen reinigen und leicht fetten
  - Verriegelungshülse G zurückziehen und Adapter in das SDS+ Bohrfutter drehend und hineinschiebend

bis zum Einrasten einführen; der Adapter verriegelt sich selbsttätig

- Verriegelung durch Ziehen am Adapter prüfen
- Schalter E ⑤ auf Normalbohren stellen (**nur betätigen wenn das Werkzeug ausgeschaltet und der Netzstecker gezogen ist**)
- Sicherheitskupplung  
Blockiert das Zubehör, wird der Antrieb zur Spindel unterbrochen (schlagendes Geräusch)
  - das Werkzeug sofort abschalten
  - blockiertes Zubehör entfernen
  - das Werkzeug wieder anschalten
- Einstellen der Bohrtiefe ⑩
- Halten und Führen des Werkzeuges ⑰  
**! Werkzeug beim Arbeiten immer am grauen Griffbereich fassen**
  - **das Werkzeug immer am Seitengriff J festhalten** (kann laut Darstellung geregelt werden)
  - halten Sie die Lüftungsschlitze offen
  - nicht zu viel Druck auf das Werkzeug ausüben; lassen Sie das Werkzeug für Sie arbeiten

## ANWENDUNGSHINWEISE

- Die entsprechenden Bits verwenden ⑱  
**! nur scharfe Bits/Meißel benutzen**
- Beim Bohren in Eisenmetallen
  - kleines Loch vorbohren wenn ein größeres Loch benötigt ist
  - Bits gelegentlich mit Öl einfetten
- Beim Eindrehen einer Schraube am Ende oder Kopfstück eines Holzes sollte ein Loch vorgebohrt werden um ein Spalten des Holzes zu vermeiden
- Splitterfreies Bohren in Holz ⑲
- Staubbefreies Bohren in Mauern ⑳
- Staubbefreies Bohren in Decken ㉑
- Bohren in Fliesen ohne auszurutschen ㉒
- Für mehr Tips siehe [www.skil.com](http://www.skil.com)

## WARTUNG / SERVICE

- Dieses Werkzeug eignet sich nicht für den professionellen Einsatz
- Halten Sie Werkzeug und Kabel immer sauber (insbesondere die Lüftungsschlitze K ⑤)  
**! Netzstecker vor dem Säubern ziehen**
- Sollte das Elektrowerkzeug trotz sorgfältiger Herstellungs- und Prüfverfahren einmal ausfallen, ist die Reparatur von einer autorisierten Kundendienststelle für SKIL-Elektrowerkzeuge ausführen zu lassen
  - das Werkzeug **unzerlegt**, zusammen mit dem Kaufbeleg, an den Lieferer oder die nächste SKIL-Vertragswerkstätte senden (die Anschriften so wie die Ersatzteilzeichnung des Werkzeuges finden Sie unter [www.skil.com](http://www.skil.com))

## UMWELT

- **Elektrowerkzeuge, Zubehör und Verpackungen nicht in den Hausmüll werfen** (nur für EU-Länder)
  - gemäß Europäischer Richtlinie 2012/19/EG über Elektro- und Elektronik- Altgeräte und Umsetzung in nationales Recht müssen nicht mehr gebrauchsfähige

- Elektrowerkzeuge getrennt gesammelt und einer umweltgerechten Wiederverwertung zugeführt werden
- hieran soll Sie Symbol ④ erinnern

## GERÄUSCH / VIBRATION

- Gemessen gemäß EN 60745 beträgt der Schalldruckpegel dieses Gerätes 91,0 dB(A) und der Schalleistungspegel 102,0 dB(A) (Standardabweichung: 3 dB), und die Vibration \* (Vektorsumme dreier Richtungen; Unsicherheit K = 1,5 m/s<sup>2</sup>)
  - \* beim Hammerbohren in Beton 12,3 m/s<sup>2</sup>
  - \* beim Meißeln 10,9 m/s<sup>2</sup>
- Die Vibrationsemissionsstufe wurde mit einem standardisierten Test gemäß EN 60745 gemessen; Sie kann verwendet werden, um ein Werkzeug mit einem anderen zu vergleichen und als vorläufige Beurteilung der Vibrationsexposition bei Verwendung des Werkzeugs für die angegebenen Anwendungszwecke
  - die Verwendung des Werkzeugs für andere Anwendungen oder mit anderem oder schlecht gewartetem Zubehör kann die Expositionsstufe erheblich **erhöhen**
  - Zeiten, zu denen das Werkzeug ausgeschaltet ist, oder wenn es läuft aber eigentlich nicht eingesetzt wird, können die Expositionsstufe erheblich **verringern**
- ! schützen Sie sich vor den Auswirkungen der Vibration durch Wartung des Werkzeugs und des Zubehörs, halten Sie Ihre Hände warm und organisieren Sie Ihren Arbeitsablauf**

NL

## Boorhamer

1763

## INTRODUCTIE

- Deze machine is bestemd voor het hamerboren in beton, baksteen en steen alsmede voor licht beitelwerk; voor het boren in hout, metaal en kunststof en voor het in- en uitdraaien van schroeven moeten specifieke accessoires gebruikt worden
- Het hamer-systeem in deze machine overtreft de beton-boorprestatie van iedere traditionele kloppoommachine
- Deze machine is niet bedoeld voor professioneel gebruik
- Deze machine is zo ontworpen, dat alle standaard SDS+ accessoires gebruikt kunnen worden
- Lees en bewaar deze gebruiksaanwijzing ②

## TECHNISCHE GEGEVENS ①

- \* ) Slagkracht overeenkomstig EPTA-Procedure 05/2009

## MACHINE-ELEMENTEN ⑤

- A Schakelaar voor aan/uit en toerentalregeling
- B Instelwielje voor maximum-snelheid/koppel
- C Knop voor vastzetten van schakelaar
- D Pal voor omschakelen van draairichting
- E Knop voor selecteren van functie-stand
- F Ontgrendelingsknop

- G Vergrendelingshuls
- H Adapter + 13 mm boorkop
- J Extra handgreep
- K Ventilatie-opening
- L Diepteaanslag

## VEILIGHEID

### ALGEMENE VEILIGHEIDSWAARSCHUWINGEN VOOR ELEKTRISCHE GEREEDSCHAPPEN

**⚠ WAARSCHUWING** Lees alle veiligheidswaarschuwingen, aanwijzingen, afbeeldingen en specificaties die bij dit elektrische gereedschap worden geleverd. Als de hieronder vermelde aanwijzingen niet worden opgevolgd, kan dit een elektrische schok, brand en/of ernstig letsel tot gevolg hebben.

#### Bewaar alle waarschuwingen en voorschriften voor toekomstig gebruik.

Het in de waarschuwingen gebruikte begrip "elektrisch gereedschap" heeft betrekking op elektrische gereedschappen voor gebruik op het stroomnet (met netsnoer) en op elektrische gereedschappen voor gebruik met een accu (zonder netsnoer).

#### 1) VEILIGHEID VAN DE WERKOMGEVING

- a) **Houd uw werkomgeving schoon en opgeruimd.** Een rommelige of onverlichte werkomgeving kan tot ongevallen leiden.
- b) **Werk met het gereedschap niet in een omgeving met explosiegevaar waarin zich brandbare vloeistoffen, gassen of stof bevinden.** Elektrische gereedschappen veroorzaken vonken die het stof of de dampen tot ontsteking kunnen brengen.
- c) **Houd kinderen en andere personen tijdens het gebruik van het elektrische gereedschap uit de buurt.** Wanneer u wordt afgeleid, kunt u de controle over het gereedschap verliezen.

#### 2) ELEKTRISCHE VEILIGHEID

- a) **De aansluitstekker van het gereedschap moet in het stopcontact passen. De stekker mag in geen geval worden veranderd. Gebruik geen adapterstekkers in combinatie met geaarde gereedschappen.** Onveranderde stekkers en passende stopcontacten beperken het risico van een elektrische schok.
- b) **Voorkom aanraking van het lichaam met geaarde oppervlakken, bijvoorbeeld van buizen, verwarmingen, fornuizen en koelkasten.** Er bestaat een verhoogd risico door een elektrische schok wanneer uw lichaam geaard is.
- c) **Houd het gereedschap uit de buurt van regen en vocht.** Het binnendringen van water in het elektrische gereedschap vergroot het risico van een elektrische schok.
- d) **Gebruik de kabel niet voor een verkeerd doel, om het gereedschap te dragen of op te hangen of om de stekker uit het stopcontact te trekken. Houd de kabel uit de buurt van hitte, olie, scherpe randen en bewegende gereedschapsdelen.** Beschadigde of in de

war geraakte kabels vergroten het risico van een elektrische schok.

- e) **Wanneer u buitenshuis met elektrisch gereedschap werkt, dient u alleen verlengkabels te gebruiken die voor gebruik buitenshuis zijn goedgekeurd.** Het gebruik van een voor gebruik buitenshuis geschikte verlengkabel beperkt het risico van een elektrische schok.
  - f) **Als het gebruik van het elektrische gereedschap in een vochtige omgeving onvermijdelijk is, dient u een aardlekschakelaar te gebruiken.** Het gebruik van een aardlekschakelaar vermindert het risico van een elektrische schok.
- ### 3) VEILIGHEID VAN PERSONEN
- a) **Wees alert, let goed op wat u doet en ga met verstand te werk bij het gebruik van het elektrische gereedschap. Gebruik het gereedschap niet wanneer u moe bent of onder invloed staat van drugs, alcohol of medicijnen.** Een moment van onoplettendheid bij het gebruik van het gereedschap kan tot ernstige verwondingen leiden.
  - b) **Draag persoonlijke beschermende uitrusting en altijd een veiligheidsbril.** Het dragen van persoonlijke beschermende uitrusting zoals een stofmasker, slijpvaste werkschoenen, een veiligheidshelm of gehoorbescherming, afhankelijk van de aard en het gebruik van het elektrische gereedschap, vermindert het risico van verwondingen.
  - c) **Voorkom per ongeluk inschakelen. Controleer dat het elektrische gereedschap uitgeschakeld is voordat u de stekker in het stopcontact steekt of de accu aansluit en voordat u het gereedschap oppakt of draagt.** Wanneer u bij het dragen van het elektrische gereedschap uw vinger aan de schakelaar hebt of wanneer u het gereedschap ingeschakeld op de stroomvoorziening aansluit, kan dit tot ongevallen leiden.
  - d) **Verwijder instelgereedschappen of schroefsleutels voordat u het gereedschap inschakelt.** Een instelgereedschap of sleutel in een draaiend deel van het gereedschap kan tot verwondingen leiden.
  - e) **Probeer niet ver te reiken. Zorg ervoor dat u stevig staat en steeds in evenwicht blijft.** Daardoor kunt u het gereedschap in onverwachte situaties beter onder controle houden.
  - f) **Draag geschikte kleding. Draag geen loshangende kleding of sieraden. Houd haren en kleding uit de buurt van bewegende delen.** Loshangende kleding, sieraden en lange haren kunnen door bewegende delen worden meegenomen.
  - g) **Wanneer stofafzuigings- of stofopvangvoorzieningen kunnen worden gemonteerd, dient u zich ervan te verzekeren dat deze zijn aangesloten en juist worden gebruikt.** Het gebruik van een stofafzuiging beperkt het gevaar door stof.
  - h)  **Ondanks het feit dat u eventueel heel goed vertrouwd bent met het gebruik van gereedschappen, moet u ervoor zorgen dat u niet nonchalant wordt en veiligheidsvoorschriften voor het gereedschap gaat negeren.** Een onoplettende handeling kan binnen een fractie van een seconde ernstig letsel veroorzaken.

#### 4) GEBRUIK EN ONDERHOUD VAN ELEKTRISCHE GEREEDSCHAPPEN

- a) **Overbelast het gereedschap niet. Gebruik voor uw werkzaamheden het daarvoor bestemde elektrische gereedschap.** Met het passende elektrische gereedschap werkt u beter en veiliger binnen het aangegeven capaciteitsbereik.
  - b) **Gebruik geen elektrisch gereedschap waarvan de schakelaar defect is.** Elektrisch gereedschap dat niet meer kan worden in- of uitgeschakeld, is gevaarlijk en moet worden gerepareerd.
  - c) **Trek de stekker uit het stopcontact en/of neem de accu (indien uitneembaar) uit het elektrische gereedschap voordat u het elektrische gereedschap instelt, accessoires wisselt of het elektrische gereedschap opbergt.** Deze voorzorgsmaatregel voorkomt onbedoeld starten van het elektrische gereedschap.
  - d) **Bewaars niet-gebruikte elektrische gereedschappen buiten bereik van kinderen. Laat het gereedschap niet gebruiken door personen die er niet mee vertrouwd zijn en deze aanwijzingen niet hebben gelezen.** Elektrische gereedschappen zijn gevaarlijk wanneer deze door onervaren personen worden gebruikt.
  - e) **Verzorg het gereedschap zorgvuldig. Controleer of bewegende delen van het gereedschap correct functioneren en niet vastklemmen en of onderdelen zodanig gebroken of beschadigd zijn dat de werking van het gereedschap nadelig wordt beïnvloed. Laat beschadigde delen repareren voordat u het gereedschap gebruikt.** Veel ongevallen hebben hun oorzaak in slecht onderhouden elektrische gereedschappen.
  - f) **Houd snijdende inzetgereedschappen scherp en schoon.** Zorgvuldig onderhouden snijdende inzetgereedschappen met scherpe snijkanten klemmen minder snel vast en zijn gemakkelijker te geleiden.
  - g) **Gebruik elektrische gereedschappen, toebehoren, inzetgereedschappen en dergelijke volgens deze aanwijzingen. Let daarbij op de arbeidsomstandigheden en de uit te voeren werkzaamheden.** Het gebruik van elektrische gereedschappen voor andere dan de voorziene toepassingen kan tot gevaarlijke situaties leiden.
  - h) **Houd handgrepen en greepvlakken droog, schoon en vrij van olie en vet.** Gladde handgrepen en greepvlakken verhinderen dat het gereedschap in onverwachte situaties veilig kan worden gehanteerd en bediend.
- 5) SERVICE
- a) **Laat het gereedschap alleen repareren door gekwalificeerd en vakkundig personeel en alleen met originele vervangingsonderdelen.** Daarmee wordt gewaarborgd dat de veiligheid van het gereedschap in stand blijft.

#### VEILIGHEIDSVOORSCHRIFTEN VOOR BOORHAMERS

##### ALGEMEEN

- Controleer altijd of het voltage, dat vermeld staat op het typeplaatje van de machine, overeenkomt met de netspanning (met 230V of 240V aangeduide machines kunnen ook op 220V aangesloten worden)

- Deze machine mag niet worden gebruikt door personen onder de 16 jaar
- **Bewerk geen asbesthoudend materiaal** (asbest geldt als kankerverwekkend)
- Gebruik de machine niet, wanneer het snoer beschadigd is; laat dit door een erkende vakman vervangen
- **Trek altijd de stekker uit het stopcontact voordat u een instelling verandert of een accessoire verwisselt**

##### ACCESSOIRES

- SKIL kan alleen een correcte werking van de machine garanderen, indien originele accessoires worden gebruikt
- Gebruik alleen accessoires met een toegestaan toerental, dat minstens even hoog is als het hoogste onbelaste toerental van de machine

##### VÓÓR GEBRUIK

- Gebruik volledig uitgerolde en veilige verlengsnoeren met een capaciteit van 16 Ampère
- Voorkom schade, die kan ontstaan door schroeven, spijkers en andere voorwerpen in uw werkstuk; verwijder deze, voordat u aan een karwei begint
- **Zet het werkstuk vast** (een werkstuk, dat is vastgezet met klemmen of in een bankschroef, zit steviger vast dan wanneer het met de hand wordt vastgehouden)
- **Gebruik een geschikt detectieapparaat om verborgen stroom-, gas- of waterleidingen op te sporen of raadpleeg het plaatselijke energie- of waterleidingbedrijf** (contact met elektrische leidingen kan tot brand of een elektrische schok leiden; beschadiging van een gasleiding kan tot een explosie leiden; breuk van een waterleiding veroorzaakt materiële schade en kan tot een elektrische schok leiden)
- Stof van materiaal zoals loodhoudende verf, sommige houtsoorten, mineralen en metaal kunnen schadelijk zijn (contact met of inademing van de stof kan allergische reacties en/of ademhalingsziekten bij gebruiker of omstanders veroorzaken); **draag een stofmasker en werk met een stofopvang-voorziening als die kan worden aangesloten**
- Bepaalde soorten stof zijn geclassificeerd als kankerverwekkend (zoals stof van eiken en beuken), met name in combinatie met toevoegingsmiddelen voor houtverzorging; **draag een stofmasker en werk met een stofopvang-voorziening als die kan worden aangesloten**
- Neem voor de door u te bewerken materialen de nationale voorschriften aangaande stofopvang in acht

##### TIJDENS GEBRUIK

- **Draag gehoorbescherming** (blootstelling aan lawaai kan gehoorverlies tot gevolg hebben)
- **Gebruik de bij de machine geleverde extra handgrepen** (verlies van controle kan tot verwondingen leiden)
- **Houd het elektrische gereedschap aan de geïsoleerde greepvlakken vast als u werkzaamheden uitvoert waarbij het inzetgereedschap verborgen stroomleidingen of de eigen stroomkabel kan raken** (contact met een onder spanning staande leiding kan ook metalen delen van het elektrische gereedschap onder spanning zetten en tot een elektrische schok leiden)
- Houd het snoer altijd verwijderd van de bewegende delen van uw machine

- In geval van elektrische of mechanische storing, de machine onmiddellijk uitschakelen en de stekker uit het stopcontact trekken
- Raak het snoer niet aan, als dit tijdens de werkzaamheden wordt beschadigd of doorgesneden, maar trek onmiddellijk de stekker uit het stopcontact
- Schakel in geval van onverwacht blokkeren van de boorpunt (met een gevaarlijke schokbeweging als gevolg) de machine onmiddellijk uit
- Houd rekening met de krachten, die optreden bij blokkeren (vooral bij het boren in metaal); **gebruik altijd zijhandgreep J** ⑤ en zorg ervoor, dat u stevig staat

## NA GEBRUIK

- Als u de machine wegzet moet de motor uitgeschakeld zijn en de bewegende delen tot stilstand zijn gekomen

## UITLEG VAN SYMBOLEN OP MACHINE

- ② Lees de gebruiksaanwijzing vóór gebruik
- ③ Dubbele isolatie (geen aarddraad nodig)
- ④ Geef de machine niet met het huisvuil mee

## GEBRUIK

- Aan/uit ⑥
- Vastzetten van schakelaar voor continu gebruik ⑦
- Toerentalregeling voor langzaam starten ⑧
- Instelbaar maximum-toerental ⑨  
Met wieltje B ⑤ kan een maximum-toerental traploos ingesteld worden van minimum tot maximum
- Omschakelen van draairichting ⑩  
- als de omkeerschakelaar niet in de uiterste stand op links/rechts staat, kan schakelaar A niet ingedrukt worden  
**! schakel de draairichting alleen om als de machine volledig stilstaat**
- Selecteren van functie-stand ⑪  
- druk op knop F om schakelaar E te ontgrendelen  
- draai schakelaar E naar de gewenste functie-stand totdat deze vastklikt  
**! begin alleen te werken als schakelaar E vergrendeld is**  
1 = normaal boren/schroeven  
2 = klopboren  
3 = beitelen met roterende beitel  
4 = beitelen met vaste beitel  
**! selecteer de functie-stand alleen als de machine uitgeschakeld is en met de stekker uit het stopcontact**  
- het hamerslagmechanisme treedt in werking als u tijdens het boren een lichte druk op uw machine uitoefent  
- de beste hamerboor-resultaten in beton worden verkregen door een lichte druk op uw machine uit te oefenen; de boorprestatie zal niet groter worden door harder op uw machine te drukken
- Beitelen met roterende beitel ⑫  
**! schakel de machine uit en trek de stekker uit het stopcontact**  
- kies de functie "roterende" beitel
- Beitelen met vaste beitel ⑬  
**! schakel de machine uit en trek de stekker uit het stopcontact**  
- kies de functie "roterende" beitel

- plaats de beitel in de gewenste stand
- kies de functie "vaste" beitel
- Verwisselen van bits ⑭  
**! het SDS+ accessoire voor het inzetten reinigen en licht invetten**  
- trek vergrendelingshuls G naar achteren en plaats accessoire draaiend en drukkend in SDS+ boorkop tot deze vastklikt; het accessoire vergrendelt automatisch  
- controleer vergrendeling door aan accessoire te trekken  
- verwijder accessoire door vergrendelingshuls G naar achteren te trekken  
**! het SDS+ accessoire dient beweeglijk geplaatst te worden, waardoor tijdens het onbelast draaien een excentrische onnauwkeurigheid ontstaat; het accessoire centreert zich tijdens het boren echter geheel vanzelf zonder de boorprecisie te beïnvloeden**  
**! gebruik geen bits/beitels met een beschadigde schacht**

Gebruik voor het boren in hout, metaal en kunststof en voor het in- en uitdraaien van schroeven adapter H ⑮

- de adapter voor het inzetten reinigen en licht invetten
- trek vergrendelingshuls G naar achteren en plaats adapter draaiend en drukkend in SDS+ boorkop tot deze vastklikt; de adapter vergrendelt automatisch
- controleer vergrendeling door aan adapter te trekken
- zet schakelaar E ⑤ op normaal boren (**alleen als de machine uitgeschakeld is en met de stekker uit het stopcontact**)

- Veiligheidskoppeling  
Indien het accessoire blokkeert, wordt de verbinding tussen aandrijving en as verbroken (met een ratelend geluid als gevolg)  
- schakel de machine onmiddellijk uit  
- verwijder het geblokkeerde accessoire  
- schakel de machine weer in
- Instellen van boordiepte ⑯
- Vasthouden en leiden van de machine ⑰  
**! houd de machine tijdens het werk altijd vast bij het(de) grijs-gekleurde greepvlak(ken)**  
- **gebruik altijd zijhandgreep J** (regelbaar zoals afgebeeld)  
- houd de ventilatie-openingen onbedekt  
- oefen niet te veel druk uit; laat de machine het werk voor u doen

## TOEPASSINGSADVIES

- Gebruik de juiste bits ⑱  
**! gebruik uitsluitend scherpe bits/beitels**
- Bij het boren in ijzerhoudende metalen  
- een kleiner gat voorbereiden, wanneer een groot gat nodig is  
- vet de boorpunt af en toe met olie in
- Altijd een gat voorbereiden bij het schroeven in/vlakbij de kopse- of zijkant van hout
- Splintervrij boren in hout ⑲
- Stofvrij boren in muren ⑳
- Stofvrij boren in plafonds ㉑
- Boren in tegels zonder uitglijden ㉒
- Voor meer tips zie [www.skil.com](http://www.skil.com)



## ONDERHOUD / SERVICE

- Deze machine is niet bedoeld voor professioneel gebruik
- Houd machine en snoer altijd schoon (met name de ventilatie-openingen K ⑤)
  - ! **trek de stekker uit het stopcontact vóór het reinigen**
- Mocht het elektrische gereedschap ondanks zorgvuldige fabricage- en testmethoden toch defect raken, dient de reparatie te worden uitgevoerd door een erkende klantenservice voor SKIL elektrische gereedschappen
  - stuur de machine **ongedemonteerd**, samen met het aankoopbewijs, naar het verkoopadres of het dichtstbijzijnde SKIL service-station (de adressen evenals de onderdelentekening van de machine vindt u op [www.skil.com](http://www.skil.com))

## MILIEU

- **Geef elektrisch gereedschap, accessoires en verpakkingen niet met het huisvuil mee** (alleen voor EU-landen)
  - volgens de Europese richtlijn 2012/19/EG inzake oude elektrische en elektronische apparaten en de toepassing daarvan binnen de nationale wetgeving, dient afgedankt elektrisch gereedschap gescheiden te worden ingezameld en te worden afgevoerd naar een recycle-bedrijf, dat voldoet aan de geldende milieu-eisen
  - symbool ④ zal u in het afdankstadium hieraan herinneren

## GELUID / VIBRATIE

- Gemeten volgens EN 60745 bedraagt het geluidsdrukniveau van deze machine 91,0 dB(A) en het geluidsvormniveau 102,0 dB(A) (standaard deviatie: 3 dB), en de vibratie \* (vector som van drie richtingen; onzekerheid  $K = 1,5 \text{ m/s}^2$ )
    - \* bij het hamerboren in beton  $12,3 \text{ m/s}^2$
    - \* bij het beitelen  $10,9 \text{ m/s}^2$
  - Het trillingsemisniveau is gemeten in overeenstemming met een gestandaardiseerde test volgens EN 60745; deze mag worden gebruikt om twee machines met elkaar te vergelijken en als voorlopige beoordeling van de blootstelling aan trilling bij gebruik van de machine voor de vermelde toepassingen
    - gebruik van de machine voor andere toepassingen, of met andere of slecht onderhouden accessoires, kan het blootstellingsniveau aanzienlijk **verhogen**
    - wanneer de machine is uitgeschakeld of wanneer deze loopt maar geen werk verricht, kan dit het blootstellingsniveau aanzienlijk **reduceren**
- ! **bescherm uzelf tegen de gevolgen van trilling door de machine en de accessoires te onderhouden, uw handen warm te houden en uw werkwijze te organiseren**

S

## Borhammare

1763

## INTRODUKTION

- Maskinen är avsedd för hammarborring i betong, tegel och sten samt för lättare mejslingsarbete; för borring i trä, metall och plast samt för skruvdraging måste specifikt tillbehör användas
- Hammarborrsystemet i denna maskin konkurrerar ut varje traditionell slagborrmaskin, när du skall borra i betong
- Det här verktyget är inte avsett för yrkesmässig användning
- Denna maskin är konstruerad för användning i kombination med alla standard SDS+ tillbehör
- Läs och spara denna instruktionsbok ②

## TEKNISKA DATA ①

\* ) Enkelslagstyrka enligt EPTA-Procedure 05/2009

## VERKTYGSELEMENT ⑤

- A Strömbrytare för till/från och varvtalsreglering
- B Ratt för justering av maximalvarvtalet
- C Knapp för låsning av strömbrytare
- D Spak för reversering av rotationsriktningen
- E Omkopplare för utväljande av driftsläge
- F Låsknapp
- G Låshylsa
- H Adapter + 13 mm chuck
- J Hjälpbandtag
- K Ventilationsöppningar
- L Djupmätt

## SÄKERHET

### ALLMÄNNA SÄKERHETSANVISNINGAR FÖR ELVERKTYG

**⚠ VARNING Läs alla säkerhetsvarningar, instruktioner, illustrationer och specifikationer som ingår med detta elverktyg.** Fel som uppstår till följd av att instruktionerna nedan inte följts kan orsaka elstöt, brand och/eller allvarliga personskador.

### Förvara alla varningar och anvisningar för framtida bruk.

Nedan använt begrepp "elverktyg" hänför sig till nätdrivna elverktyg (med nätsladd) och till batteridrivna elverktyg (sladdlösa).

#### 1) ARBETSPLATSSÄKERHET

- a) **Håll arbetsplatsen ren och välbelyst.** Oordning på arbetsplatsen eller dåligt belyst arbetsområde kan leda till olyckor.
- b) **Använd inte elverktyget i explosionsfarlig omgivning med brännbara vätskor, gaser eller damm.** Elverktygen alstrar gnistor som kan antända dammet eller gaserna.
- c) **Håll under arbetet med elverktyget barn och obehöriga personer på betryggande avstånd.** Om du

störs av obehöriga personer kan du förlora kontrollen över elverkytget.

## 2) ELEKTRISK SÄKERHET

- a) **Elverkytgets stickpropp måste passa till vägguttaget. Stickproppen får absolut inte förändras. Använd inte adapterkontakter tillsammans med skyddsjordade elverkyt.** Oförändrade stickproppar och passande vägguttag reducerar risken för elektriskt slag.
- b) **Undvik kroppskontakt med jordade ytor som t. ex. rör, värmeelement, spisar och kylskåp.** Det finns en större risk för elektriskt slag om din kropp är jordad.
- c) **Skydda elverkytget mot regn och väta.** Tränger vatten in i ett elverkytget ökar risken för elektriskt slag.
- d) **Missbruka inte nätsladden och använd den inte för att bära eller hänga upp elverkytget och inte heller för att dra stickproppen ur vägguttaget. Håll nätsladden på avstånd från värme, olja, skarpa kanter och rörliga maskindelar.** Skadade eller tilltrasslade ledningar ökar risken för elektriskt slag.
- e) **När du arbetar med ett elverkytget utomhus använd endast förlängningssladdar som är godkända för utomhusbruk.** Om en lämplig förlängningssladd för utomhusbruk används minskar risken för elektriskt slag.
- f) **Använd en jordfelsbrytare om det inte är möjligt att undvika elverkytgets användning i fuktig miljö.** Genom att använda en jordfelsbrytare minskas risken för elstöt.

## 3) PERSONSÄKERHET

- a) **Var uppmärksam, kontrollera vad du gör och använd elverkytget med förnuft. Använd inte elverkytget när du är trött eller om du är påverkad av droger, alkohol eller mediciner.** Under användning av elverkytget kan även en kort uppmärksamhet leda till allvarliga kroppsskador.
- b) **Bär alltid personlig skyddsutrustning och skyddsglasögon.** Användning av personlig skyddsutrustning som t. ex. dammfiltermask, halkfrisa säkerhetsskor, skyddshjälm och hörselskydd reducerar alltefter elverkytgets typ och användning risken för kroppsskada.
- c) **Undvik oavsiktlig igångsättning. Kontrollera att elverkytget är fränkopplat innan du ansluter stickproppen till vägguttaget och/eller ansluter/tar bort batteriet, tar upp eller bär elverkytget.** Om du bär elverkytget med fingret på strömställaren eller ansluter påkopplat elverkyt till nätströmmen kan olycka uppstå.
- d) **Ta bort alla inställningsverktyg och skruvnycklar innan du kopplar på elverkytget.** Ett verktyg eller en nyckel i en roterande komponent kan medföra kroppsskada.
- e) **Överskatta inte din förmåga. Se till att du står stadigt och håller balansen.** I detta fall kan du lättare kontrollera elverkytget i oväntade situationer.
- f) **Bär lämpliga kläder. Bär inte löst hängande kläder eller smycken. Håll håret och kläderna på avstånd från de rörliga delarna.** Löst hängande kläder, smycken och långt hår kan dras in av roterande delar.
- g) **Vid elverkytget med dammsugnings- och -uppsamlingsutrustning kontrollera att anordningarna är rätt monterade och används på**

**korrekt sätt.** Användning av dammsugning minskar de risker damm orsakar.

- h) **Låt inte vanan att ofta använda verktygen göra att du blir slarvig och ignorerar verktygets säkerhetsprinciper.** En vårdslös åtgärd kan leda till allvarlig personskada inom bråkdelen av en sekund.
- ## 4) OMSORGSFULL HANTERING OCH ANVÄNDNING AV ELVERKYTGET
- a) **Överbelasta inte elverkytget. Använd för aktuellt arbete avsett elverkytget.** Med ett lämpligt elverkytget kan du arbeta bättre och säkrare inom angivet effektområde.
  - b) **Ett elverkytget med defekt strömställare får inte längre användas.** Ett elverkytget som inte kan kopplas in eller ur är farligt och måste repareras.
  - c) **Dra stickproppen ur vägguttaget och/eller ta bort batteriet, om det kan tas ut ur elverkytget, innan inställningar utförs, tillbehör delar byts ut eller elverkytget lagras.** Denna skyddsåtgärd förhindrar oavsiktlig inkoppling av elverkytget.
  - d) **Förvara elverkytgen oåtkomliga för barn. Låt elverkytget inte användas av personer som inte är förtrogna med dess användning eller inte läst denna anvisning.** Elverkytgen är farliga om de används av oerfarna personer.
  - e) **Underhåll elverkytget och tillbehör omsorgsfullt.** Kontrollera att rörliga komponenter fungerar felfritt och inte kärvar, att komponenter inte brustit eller skadats; orsaker som kan leda till att elverkytgets funktioner påverkas menligt. Låt skadade delar repareras innan elverkytget återanvänds. Många olyckor orsakas av dåligt skötta elverkytget.
  - f) **Håll skärverktygen skarpa och rena.** Omsorgsfullt skötta skärverktyg med skarpa eggar kommer inte så lätt i kläm och går lättare att styra.
  - g) **Använd elverkytget, tillbehör, insatsverktyg osv. enligt dessa anvisningar. Ta hänsyn till arbetsvillkoren och arbetsmomenten.** Används elverkytget på icke ändamålsenligt sätt kan farliga situationer uppstå.
  - h) **Håll handtag och greppytor torra, rena och fria från olja och fett.** Håll handtag och greppytor ger ingen säker hantering och kontroll över verktyget i oväntade situationer.
- ## 5) SERVICE
- a) **Låt elverkytget repareras endast av kvalificerad fackpersonal och med originalreservdelar.** Detta garanterar att elverkytgets säkerhet upprätthålls.

## SÄKERHETSANVISNINGAR FÖR BORRHAMMARE

### ALLMÄNT

- Kontrollera alltid att den tillförda strömtypen stämmer med spänningen som anges på maskinens märkplåt (maskiner med beteckningen 230V eller 240V kan även anslutas till 220V)
- Den här maskinen ska inte användas av personer under 16 år
- **Asbesthaltigt material får inte bearbetas** (asbest anses vara cancerframkallande)
- Använd ej maskinen om sladden är trasig; låt den byta ut av en kvalificerad person
- **Dra alltid ur stickkontakten från vägguttaget innan du gör någon justering eller byter tillbehör**

## TILLBEHÖR

- SKIL kan endast garantera att maskinen fungerar felfritt om originaltillbehör används
- Använd endast tillbehör vilkas tillåtna varvtal åtminstone motsvarar maskinens högsta tomgångsvarvtal

## FÖRE ANVÄNDNINGEN

- Använd helt uttrullade och säkra förlängningssladdar med kapacitet på 16 A
- Undvik skador genom att ta bort skruvar, spikar eller andra föremål ur arbetsstycket; ta dem bort innan du startar ett arbete
- **Sätt fast arbetsstycket** (ett arbetsstycke fastsatt med skruvtingar eller i ett skruvstäd är mera stabilt än om det hålls fast för hand)
- **Använd lämpliga detektorer för lokalisering av dolda försörjningsledningar eller konsultera lokalt distributionsföretag** (kontakt med elledningar kan förorsaka brand och elstöt; en skadad gasledning kan leda till explosion; borring i vattenledning kan förorsaka saksador eller elstöt)
- Viss typ av damm, exempelvis färg som innehåller bly, vissa träsorter, mineraler och metaller kan vara hälsovådliga om de inhaleras (hudkontakt eller inandning kan ge allergisk reaktion och/eller luftvägsproblem/sjukdom hos personer i närheten); **använd andningsskydd och arbeta med en dammuppsamlare om sådan anslutning finns**
- Vissa typer av damm är klassificerade så som carcinogena (t.ex. ek- och björkdamm) särskilt i kombination med tillsatser för träbehandling; **använd andningsskydd och arbeta med en dammuppsamlare om sådan anslutning finns**
- Följ de nationella krav, som finns angående damm, för de material du skall arbeta med

## UNDER ANVÄNDNINGEN

- **Bär hörselskydd** (risk finns för att buller leder till hörselskada)
- **Använd verktyget med medlevererade stödhandtag** (förlorad kontroll kan orsaka person skador)
- **Håll fast elverket vid de isolerade greppytorna när arbeten utförs på ställen där insatstillbehöret kan skada dolda elledningar eller egen nätsladd** (kontakt med en spänningsförande ledning kan sätta elverket metalldelar under spänning och leda till elstöt)
- Håll alltid sladden på säkert avstånd från rörliga maskindelar
- I händelse av onormala elektriska eller mekaniska störningar, stäng genast av maskinen och dra ur stickkontakten
- Skadas eller kapas nätsladden under arbetet, rör inte vid sladden utan dra genast ut stickkontakten
- Om borrar-bit tillfälligt skulle blockera (orsaka en ryckig och farlig reaktion), stäng genast av maskinen
- Var medveten om den kraft som uppstår i händelse av blockering (speciellt när du borrar i metaller); **använd alltid extrahandtaget J** (6) och se till att du står stadigt

## EFTER ANVÄNDNINGEN

- När du ställer ifrån dig maskinen måste motorn vara frånslagen och de rörliga delarna ska ha stannat fullständigt

## FÖRKLARING AV SYMBOLERNA PÅ VERKTYGET

- ② Läs bruksanvisningen före användning
- ③ Dubbel isolering (ingen jordning krävs)
- ④ Maskinen får inte kastas i hushållsoporna

## ANVÄNDNING

- Till/från (6)
  - Låsning av strömbrytare för kontinuerlig drift (7)
  - Varvtalsreglering för mjukstart (8)
  - Justering av maximalvarvtalet (9)  
Med ratten B (5) kan maximalvarvtalet justeras steglöst från minimum till maximum
  - Reversering av rotationsriktningen (10)
    - om inte vänster/höger är inställt i rätt läge, kan inte strömbrytaren A tryckas in
  - ! **ändra rotationsriktningen när maskinen är helt stilla**
  - Utväljande av driftsläge (11)
    - tryck på knappen F för att låsa upp omkopplaren E
    - vrid omkopplaren E till önskat driftsläge tills den spärras i läge
  - ! **arbeta endast när omkopplaren E är låst**
    - 1 = normal borring/skruvdragning
    - 2 = slagborring
    - 3 = mejsling med roterande mejsel
    - 4 = mejsling med fast mejsel
  - ! **välj driftsläge endast då maskinen är avstängd och kontakten urdragen**
    - hammarbormekanismen aktiveras genom ett lätt tryck på maskinen, när borsten är i kontakt med arbetsmaterialet
    - det bästa hammarborresultatet uppnås genom endast ett lätt tryck på maskinen; borresultatet blir inte bättre genom att trycka hårdare på maskinen
  - Mejsling med roterande mejsel (12)
    - ! **stäng av maskinen och dra ut sladden**
    - välj roterande mejslingsläge
  - Mejsling med fast mejsel (13)
    - ! **stäng av maskinen och dra ut sladden**
    - välj roterande mejslingsläge
    - placera mejseln i önskat läge
    - välj fast mejslingsläge
  - Byte av bits (14)
    - ! **rengör och fetta in SDS+ tillbehöret lätt innan det sätts i**
    - dra tillbaka låshylsan G och för in tillbehöret i SDS+ chuck samtidigt som du vrider och trycker tills den sitter fast; tillbehöret låser sig automatiskt
    - kontrollera låsningen genom att dra i tillbehöret
    - ta bort tillbehöret genom att dra tillbaka låshylsan G
    - ! **SDS+ tillbehöret måste vara fritt rörligt; genom detta uppstår under tomgång en ocentererad rörelse vilken upphör vid borring; detta påverkar ej borrets precision**
    - ! **använd aldrig bits/mejslar med trasig axel**
- För borring i trä, metall och plast samt för skruvdragning använd adapter H (15)
- rengör och fetta in i adaptern lätt innan det sätts i
  - dra tillbaka låshylsan G och för in i adaptern i SDS+ chuck samtidigt som du vrider och trycker tills den sitter fast; adaptern låser sig automatiskt
  - kontrollera låsningen genom att dra i adaptern

- ställ in vridknappen E ⑤ till normal borring (**används endast då maskinen är avstängd och kontakten urdragen**)
- Säkerhetskoppling  
Om tillbehöret blockeras, frånkopplas spindelns drivkraft (orsakar en skramlande ljud)
  - stäng genast av maskinen
  - ta bort blockerat tillbehör
  - starta maskinen igen
- Justering av borrjupet ⑯
- Fattning och styrning av maskinen ⑰
- ! **under arbetet, håll alltid verktyget i det grå greppet**
  - **använd alltid extrahandtaget J** (kan justeras enligt bilden)
  - håll ventilationsöppningarna ej övertäckta
  - lägg inte för mycket tryck på maskinen; låt maskinen göra arbetet åt dig

## ANVÄNDNINGSTIPS

- Använd rätt bits ⑱
- ! **använd endast skarpa bits/mejslar**
- När du borrar i järmetaller
  - förborra ett mindre hål då ett större behövs
  - olja in boren emellanåt
- Vid idragning av en skruv nära kortändan eller på sidan av trämaterial skall förborring ske för att undvika sprickbildning
- Splinterfri borring i trä ⑲
- Dammfri borring i vägg ⑳
- Dammfri borring i tak ㉑
- Borring i kakel utan att slinta ㉒
- För fler tips se [www.skil.com](http://www.skil.com)

## UNDERHÅLL / SERVICE

- Det här verktyget är inte avsedd för yrkesmässig användning
- Håll alltid din maskin och sladden ren (speciellt ventilationsöppningarna K ⑤)
- ! **drag ur stickkontakten innan rengöring**
- Om i elverktyget trots exakt tillverkning och sträng kontroll störning skulle uppstå, bör reparation utföras av auktoriserad serviceverkstad för SKIL elverktyg
  - sänd in verktyget i **odemonterat skick** tillsammans med inköpsbevis till försäljaren eller till närmaste SKIL serviceverkstad (adresser till servicestationer och sprängskisser av maskiner finns på [www.skil.com](http://www.skil.com))

## MILJÖ

- **Elektriska verktyg, tillbehör och förpackning får inte kastas i hushållsoporna** (gäller endast EU-länder)
  - enligt direktivet 2012/19/EG som avser äldre elektrisk och elektronisk utrustning och dess tillämpning enligt nationell lagstiftning ska uttjänta elektriska verktyg sorteras separat och lämnas till miljövänlig återvinning
  - symbolen ④ kommer att påminna om detta när det är tid att kassera

## LJUD / VIBRATION

- Ljudtrycksnivån som uppmätts enligt EN 60745 är på denna maskin 91,0 dB(A) och ljudeffektnivån 102,0 dB(A) (standard deviation: 3 dB), och vibration \* m/s<sup>2</sup> (vektorsumma i tre riktningar; onoggrannhet K = 1,5 m/s<sup>2</sup>)
  - \* vid hammarborring i betong 12,3 m/s<sup>2</sup>
  - \* vid mejsling 10,9 m/s<sup>2</sup>
- Vibrationsemissionsvärdet har uppmätts enligt ett standardiserat test i enlighet med EN 60745; detta värde kan användas för att jämföra vibrationen hos olika verktyg och som en ungefärlig uppskattning av hur stor vibration användaren utsätts för när verktyget används enligt det avsedda syftet
  - om verktyget används på ett annat än det avsedda syftet eller med fel eller dåligt underhållna tillbehör kan detta drastiskt **öka** vibrationsnivån
  - när verktyget stängs av eller är på men inte används, kan detta avsevärt **minska** vibrationsnivån
- ! **skydda dig mot vibration genom att underhålla verktyget och dess tillbehör, hålla händerna varma och styra upp ditt arbetssätt**

DK

## Borehammer

1763

## INLEDNING

- Værktøjet er beregnet til hammerboring i beton, tegl og sten samt til let mejslingsarbejde; til boring i træ, metal og kunststof samt til skruearbejde dog med specifikt tilbehør
- Hammersystemet i denne værktøj udkonkurrerer alle traditionelle slagboremaskiner ved boring i beton
- Dette værktøj er ikke beregnet til professionelt brug
- Dette værktøj er konstrueret til brug med alt standard SDS+ tilbehør
- Læs og gem denne betjeningsvejledning ②

## TEKNISKE DATA ①

\* ) Enkelt slagstyrke iht. EPTA-Procedure 05/2009

## VÆRKTØJETS DELE ⑤

- A Afbryder til tænd/sluk og regulering af omdrejningstal
- B Hjul til justering af maximal-hastighed
- C Knap til fastlåsning af afbryderen
- D Arm til ændring af omdrejningsretningen
- E Omskifter for valg af driftsmodus
- F Åbnknap
- G Låsemuff
- H Adapter + 13 mm borepatron
- J Støttehåndtag
- K Ventilationshuller
- L Dybdestop

# SIKKERHED

## GENERELLE SIKKERHEDSINSTRUKSER FOR EL-VÆRKTØJ

**⚠ ADVARSEL** Læs alle sikkerhedsadvarsler, instruktioner, illustrationer og specifikationer, som følger med el-værktøjet. I tilfælde af manglende overholdelse af anvisningerne nedenfor er der risiko for elektrisk stød, brand og/eller alvorlige personskader.

### Gem alle advarsler og instruktioner til senere brug.

Begrebet "el-værktøj" i advarslerne refererer til el-værktøj, der kører på lysnettet, (med netkabel) samt akku-værktøj (uden netkabel).

### 1) SIKKERHED PÅ ARBEJDSPLADSEN

- a) **Sørg for, at arbejdsområdet er rent og ryddeligt.**  
Uorden eller uoplyste arbejdsområder øger faren for uheld.
- b) **Brug ikke el-værktøjet i eksplosionstruede omgivelser, hvor der er brændbare væsker, gasser eller støv.** El-værktøj kan slå gnister, der kan antænde støv eller dampe.
- c) **Sørg for, at andre personer og ikke mindst børn holdes væk fra arbejdsområdet, når el-værktøjet er i brug.** Hvis man distraheres, kan man miste kontrollen over el-værktøjet.

### 2) ELEKTRISK SIKKERHED

- a) **El-værktøjets stik skal passe til kontakten. Stikket må under ingen omstændigheder ændres. Brug ikke adapterstik sammen med jordforbundet el-værktøj.**  
Uændrede stik, der passer til kontakterne, nedsætter risikoen for elektrisk stød.
- b) **Undgå kropskontakt med jordforbundne overflader som f.eks. rør, radiatorer, komfurer og køleskabe.**  
Hvis din krop er jordforbundet, øges risikoen for elektrisk stød.
- c) **El-værktøjet må ikke udsættes for regn eller fugt.**  
Indtrængning af vand i et el-værktøj øger risikoen for elektrisk stød.
- d) **Brug ikke ledningen til formål, den ikke er beregnet til. Du må aldrig bære el-værktøjet i ledningen, hænge el-værktøjet op i ledningen eller rykke i ledningen for at trække stikket ud af kontakten. Beskyt ledningen mod varme, olie, skarpe kanter eller maskindele, der er i bevægelse.** Beskadigede eller indviklede ledninger øger risikoen for elektrisk stød.
- e) **Hvis el-værktøjet benyttes i det fri, må der kun benyttes en forlængerledning, der er egnet til udendørs brug.** Brug af forlængerledning til udendørs brug nedsætter risikoen for elektrisk stød.
- f) **Hvis det ikke kan undgås at bruge el-værktøjet i fugtige omgivelser, skal der bruges et HFI-relæ.**  
Brug af et HFI-relæ reducerer risikoen for at få elektrisk stød.

### 3) PERSONLIG SIKKERHED

- a) **Det er vigtigt at være opmærksom, se, hvad man laver, og bruge el-værktøjet fornuftigt. Brug ikke noget el-værktøj, hvis du er træt, har nydt alkohol eller er påvirket af medikamenter eller euforiserende**

**stoffer.** Få sekunders uopmærksomhed ved brug af el-værktøjet kan føre til alvorlige personskader.

- b) **Brug beskyttelsesudstyr og hav altid beskyttelsesbriller på.** Brug af sikkerhedsudstyr som f. eks. støvmaske, skridsikket fodtøj, beskyttelseshjelm eller høreværn afhængig af maskintype og anvendelse nedsætter risikoen for personskader.
  - c) **Undgå utilsigtet igangsætning. Kontrollér, at el-værktøjet er slukket, før du tilslutter det til strømtilførslen og/eller akkuen, løfter eller bærer det.** Undgå at bære el-værktøjet med fingeren på afbryderen og sørg for, at el-værktøjet ikke er tændt, når det slutes til nettet, da dette øger risikoen for personskader.
  - d) **Gør det til en vane altid at fjerne indstillingsværktøj eller skruenøgle, før el-værktøjet tændes.** Hvis et stykke værktøj eller en nøgle sidder i en roterende maskindel, er der risiko for personskader.
  - e) **Undgå en unormal legemssposition. Sørg for at stå sikkert, mens der arbejdes, og kom ikke ud af balance.** Dermed har du bedre muligheder for at kontrollere el-værktøjet, hvis der skulle opstå uventede situationer.
  - f) **Brug egnet arbejdstøj. Undgå løse beklædningsgenstande eller smykker. Hold hår og tøj væk fra dele, der bevæger sig.** Dele, der er i bevægelse, kan gribe fat i løstsiddende tøj, smykker eller langt hår.
  - g) **Hvis støvudsugnings- og opsamlingsudstyr kan monteres, er det vigtigt, at dette tilsluttes og benyttes korrekt.** Brug af en støvsugning kan reducere støvmængden og dermed den fare, der er forbundet støv.
  - h) **Selvom du kender værktøjet godt og er vant til at bruge det, skal du alligevel være opmærksom og overholde sikkerhedsanvisningerne.** Et øjeblikvis uopmærksomhed kan medføre alvorlige personskader.
- ### 4) OMHYGGE LIG OMGANG MED OG BRUG AF EL-VÆRKTØJ
- a) **Undgå overbelastning af el-værktøjet. Brug altid et el-værktøj, der er beregnet til det stykke arbejde, der skal udføres.** Med det passende el-værktøj arbejder man bedst og mest sikkert inden for det angivne effektområde.
  - b) **Brug ikke et el-værktøj, hvis afbryder er defekt.** Et el-værktøj, der ikke kan startes og stoppes, er farlig og skal repareres.
  - c) **Træk stikket ud af stikkontakten og/eller fjern akkuen, hvis den er aftagelig, før maskinen indstilles, før skift af tilbehørsdele eller før el-værktøjet lægges til opbevaring.** Disse sikkerhedsforanstaltninger forhindrer utilsigtet start af el-værktøjet.
  - d) **Opbevar ubenyttet el-værktøj uden for børns rækkevidde. Lad aldrig personer, der ikke er fortrolige med el-værktøjet eller ikke har gennemlæst disse instrukser, benytte el-værktøjet.** El-værktøj er farligt, hvis det benyttes af ukendte personer.
  - e) **Vedligehold el-værktøj og tilbehørsdele. Kontrollér, om bevægelige maskindele fungerer korrekt og ikke sidder fast, og om delene er brækket eller**

beskadiget, således at el-værktøjets funktion påvirkes. Få beskadigede dele repareret, inden el-værktøjet tages i brug. Mange uheld skyldes dårligt vedligeholdte el-værktøjer.

- f) **Sørg for, at skæreværktøjer er skarpe og rene.** Omhyggeligt vedligeholdte skæreværktøjer med skarpe skærekanter sætter sig ikke så hurtigt fast og er nemmere at føre.
- g) **Brug el-værktøj, tilbehør, indsatsværktøj osv. iht. disse instrukser. Tag hensyn til arbejdsforholdene og det arbejde, der skal udføres.** Anvendelse af el-værktøjet til formål, som ligger uden for det fastsatte anvendelsesområde, kan føre til farlige situationer.
- h) **Hold hånden tag og gribeblader tørre, rene og fri for olie og smørefedt.** Hvis håndtag og gribeblader er glatte, kan værktøjet ikke håndteres og styres sikkert, hvis der sker noget uventet.
- 5) **SERVICE**
- a) **Sørg for, at el-værktøj kun repareres af kvalificerede fagfolk og at der kun benyttes originale reservedele.** Dermed sikres størst mulig maskinsikkerhed.

## SIKKERHEDSINSTRUKSER FOR BOREHAMMER

### GENERELT

- Kontrollér altid at forsyningsspændingen er den samme som den spænding, der er anført på værktøjets navneskilt (værktøj med betegnelsen 230V eller 240V kan også tilsluttes til 220V)
- Dette værktøj må ikke bruges af personer under 16 år
- **Bearbejd ikke asbestholdigt materiale** (asbest er kræftfremkaldende)
- Brug ikke værktøjet, hvis kablet er beskadiget; få det skiftet ud af en anerkendt fagmand
- **Fjern altid først stikket fra kontakten, før De foretager nogle ændringer eller skifter tilbehør**

### TILBEHØR

- SKIL kan kun sikre en korrekt funktion af værktøjet, hvis der benyttes originalt tilbehør
- Der må kun benyttes tilbehør, hvis godkendte omdrejningstal er mindst så højt som værktøjets max. omdrejningstal i ubelastet tilstand

### INDEN BRUG

- Anvend helt udrullede og sikre forlængerledninger med en kapacitet på 16 A
- Undgå skader forårsaget af skruer, søm eller andre materialer i arbejdsstykke; fjern disse før De begynder at arbejde
- **Fastgør emnet** (det er sikrere at holde emner i en fastgøringsanordning eller skruestik end med hånden)
- **Anvend egnede søgeinstrumenter til at finde frem til skjulte forsyningsledninger eller kontakt det lokale forsyningselskab** (kontakt med elektriske ledninger kan føre til brand og elektrisk stød; beskadigelse af en gasledning kan føre til eksplosion; brud på et vandrør kan føre til materiel skade eller elektrisk stød)
- Støv fra materiale som f.eks. maling, der indeholder bly, nogle træsorter, mineraler og metal kan være skadeligt (kontakt med eller indånding af støvet kan forårsage allergiske reaktioner og/eller sygdomme i luftvejene hos den, der anvender værktøjet, eller hos omkringstående); **bær en støvmaske og arbejd med en**

støvuvsugningsanordning, hvor en sådan kan sluttes til

- Visse slags støv er klassificeret som kræftfremkaldende (som f.eks. støv fra eg og bøg) især i forbindelse med tilsætningsstoffer til træbehandling; **bær en støvmaske og arbejd med en støvuvsugningsanordning, hvor en sådan kan sluttes til**
- Følg de nationale krav, hvad angår støv, for de materialer, du ønsker at arbejde med

### UNDER BRUG

- **Brug hørbeværn** (støjpåvirkning kan føre til tab af hørelse)
- **Brug de ekstra håndgreb, der følger med værktøjet** (manglende kontrol kan forårsage personlige skader)
- **Hold el-værktøjet i de isolerede gribeblader, når du udfører arbejde, hvor indsats tilbehøret kan ramme bøjede strømledninger eller el-værktøjets eget kabel** (kontakt med en spændingsførende ledning kan også sætte el-værktøjets metaldele under spænding, hvilket kan føre til elektrisk stød)
- Hold altid ledningen væk fra værktøjets bevægelige dele
- I tilfælde af elektrisk eller mekanisk fejlfunktion skal afbryderen straks afbrydes og stikket tages ud af kontakten
- Hvis kablet beskadiges eller skæres over under arbejdet, ikke berør kablet, og straks træk ud stikket
- Hvis boret blokerer uventet (førende til en rykagtig farlig reaktion), skal værktøjet straks afbrydes
- Vær opmærksom på de opståede kræfter af blokering (især ved boring i metal); **anvend altid støttegrebet J** <sup>⑤</sup> og sørg for at stå sikkert

### EFTER BRUG

- Efter endt arbejde skal afbryderen afbrydes og alle bevægelige dele være stoppet før værktøjet sættes til side

### FORKLARING TIL SYMBOLERNE PÅ VÆRKTØJET

- ② Læs instruktionen inden brugen
- ③ Dobbelt isolering (jordforbindelse unødvendig)
- ④ Værktøj må ikke bortskaffes som almindeligt affald

## BETJENING

- Tænd/sluk <sup>⑥</sup>
- Fastlåsning af afbryderen til vedvarende drift <sup>⑦</sup>
- Regulering af omdrejningstal til blød start <sup>⑧</sup>
- Justering af maksimal-hastighed <sup>⑨</sup>  
Ved hjælp af hjulet B <sup>⑤</sup> kan maksimalhastigheden justeres trinløst fra min. til max.
- Ændring af omdrejningsretningen <sup>⑩</sup>
  - afbryderen A kan ikke aktiveres, hvis retningskifteren ikke er indstillet korrekt
- ! **ændre kun omdrejningsretningen når værktøjet er standset helt**
- Valg af driftsmodus <sup>⑪</sup>
  - tryk på knap F for at låse kontakt E op
  - drej kontakt E i den ønskede driftstilstand, indtil den smækker i lås
- ! **begynd ikke at arbejde, før kontakt E er låst**
  - 1 = normal boring/skrurning
  - 2 = slagboring
  - 3 = mejsling med roterende mejsel
  - 4 = mejsling med fast mejsel

- ! **vælg kun driftsmodus når værktøjet er slukket og stikket er taget ud af stikkontakten**
- hammer mekanismen aktiveres med et let tryk på værktøjet når boret er i berøring med materialet
- det bedste hammerborings resultat opnås ved et let tryk på værktøjet; borchastigheden vil ikke blive forøget ved større tryk på værktøjet
- Mejsling med roterende mejsel <sup>(12)</sup>
- ! **sluk værktøjet og træk stikket ud af stikkontakten**
- vælg "roterende" mejsling
- Mejsling med fast mejsel <sup>(13)</sup>
- ! **sluk værktøjet og træk stikket ud af stikkontakten**
- vælg "roterende" mejsling
- anbring mejsel i den ønskede position
- vælg "fast" mejsling
- Ombytning af bits <sup>(14)</sup>
- ! **SDS+ tilbehør skal renses og indfedtes let, før det isættes**
- træk låsemuffen G tilbage og indsæt tilbehøret i SDS+ borepatronen, mens du drejer og trykker, til den sidder fast; tilbehør bliver automatisk låst fast
- kontroller fastlåsnings ved at trække i tilbehøret
- tag tilbehøret ud ved at trække låsemuffen G tilbage
- ! **SDS+ tilbehøret skal være frit bevægeligt hvorved opstår i tomgang en rundløbsafvigelse; tilbehøret bliver automatisk centreret ved boring og dette har ingen påvirkning af borehullets nøjagtighed**
- ! **brug ikke bits/mejsler med beskadiget skaft**

Til boring i træ, metal og kunststof samt til skruearbejde anvend adapter H <sup>(15)</sup>

- adapter skal renses og indfedtes let, før det isættes
- træk låsemuffen G tilbage og indsæt adapter i SDS+ borepatronen, mens du drejer og trykker, til den sidder fast; adapter bliver automatisk låst fast
- kontroller fastlåsnings ved at trække i adapter
- stil afbryderen E <sup>(5)</sup> på normal borings indstilling (**må kun aktiveres når værktøjet er slukket og stikket er taget ud af stikkontakten**)
- Sikkerhedskobling
- Hvis tilbehøret blokerer, afbrydes fremdriften af spindlen (der fører til en skramlende lyd)
- sluk straks for værktøjet
- fjern blokeret tilbehør
- tænd værktøjet igen
- Indstilling af boreedyden <sup>(16)</sup>
- Håndtering og styring af værktøjet <sup>(17)</sup>
- ! **under arbejde, hold altid om værktøjet på de grå markerede grebsområde(r)**
- anvend altid støttegrebet J (kan justeres som vist)
- hold ventilationshullerne udækkede
- pres ikke for hårdt med værktøjet; lad værktøjet gøre arbejdet for dig

## GODE RÅD

- Brug rigtige bits <sup>(18)</sup>
- ! **brug kun skarpe bits/mejsler**
- Ved boring i jernholdige metaller
- forbor et mindre hul, når et stort hul skal bores
- sørg for at smøre boret en gang imellem med olien

- Ved iskruning af en skrue nær endeflader eller i endetræ bør der forbores for at undgå splinter i træet
- Splintfri boring i træ <sup>(19)</sup>
- Støvfri boring i vægge <sup>(20)</sup>
- Støvfri boring i lofter <sup>(21)</sup>
- Boring i fliser uden udskridning <sup>(22)</sup>
- For flere tips se [www.skil.com](http://www.skil.com)

## VEDLIGEHODELSE/SERVICE

- Dette værktøj er ikke beregnet til professionelt brug
- Hold værktøjet og ledningen ren (især ventilationshullerne K <sup>(5)</sup>)
- ! **træk stikket ud før rensning**
- Skulle el værktøjet trods omhyggelig fabrikation og kontrol holde op med at fungere, skal reparationen udføres af et autoriseret serviceværksted for SKIL-elektroværktøj
- send den **uskilte** værktøjet sammen med et købsbevis til forhandleren eller nærmeste SKIL serviceværksted (adresser og reservedelstegning af værktøjet findes på [www.skil.com](http://www.skil.com))

## MILJØ

- **Elværktøj, tilbehør og emballage må ikke bortskaffes som almindeligt affald** (kun for EU-lande)
- i henhold til det europæiske direktiv 2012/19/EF om bortskaffelse af elektriske og elektroniske produkter og gældende national lovgivning, skal brugt elværktøj indsamles separat og bortskaffes på en måde, der skåner miljøet mest muligt
- symbolet <sup>(4)</sup> erindrer dig om dette, når udskiftning er nødvendig

## STØJ / VIBRATION

- Måles efter EN 60745 er lydtrykniveau af dette værktøj 91,0 dB(A) og lydeffektniveau 102,0 dB(A) (standard deviation: 3 dB), og vibrationsniveauet \* m/s<sup>2</sup> (vektorsum for tre retninger; usikkerhed K = 1,5 m/s<sup>2</sup>)
- \* ved hammerboring i beton 12,3 m/s<sup>2</sup>
- \* ved mejsling 10,9 m/s<sup>2</sup>
- Det vibrationsniveau er målt i henhold til den standardiserede test som anført i EN 60745; den kan benyttes til at sammenligne to stykker værktøj og som en foreløbig bedømmelse af udsættelsen for vibrationer, når værktøjet anvendes til de nævnte formål
- anvendes værktøjet til andre formål eller med andet eller dårligt vedligeholdet tilbehør, kan dette **øge** udsættelsesniveauet betydeligt
- de tidsrum, hvor værktøjet er slukket, eller hvor det kører uden reelt at udføre noget arbejde, kan **reducere** udsættelsesniveauet betydeligt
- ! **beskyt dig selv imod virkningerne af vibrationer ved at vedligeholde værktøjet og dets tilbehør, ved at holde dine hænder varme og ved at organisere dine arbejdsmønstre**

## INTRODUKSJON

- Dette verktøyet er beregnet til hammerboring i betong, mursten og sten samt på lett meisling; til boring i tre, metall og kunststoff og dessuten til skruing, men med spesifikt tilbehør
- Hammersystemet i dette verktøyet overgår alle tradisjonelle slagboremekanismer ved bruk i betong
- Dette verktøyet er ikke beregnet på profesjonell bruk
- Dette verktøyet er spesielt konstruert til bruk sammen med alt standard SDS+ tilbehør
- Les og ta vare på denne brukerveiledningen ②

## TEKNISKE DATA ①

\* Enkeltslagstyrke tilsvarende EPTA-Procedure 05/2009

## VERKTØYELEMENTER ⑤

- A Bryter til av/på og turtallsregulering
- B Hjul for maksimumshastighetsregulering
- C Knapp til låsing av bryteren
- D Hendel til endring av dreieretning
- E Bryter til valg av driftsmodus
- F Frigjøringsknapp
- G Låsehylse
- H Adapter + 13 mm chuck
- J Støttehåndtak
- K Ventilasjonsåpninger
- L Dybdemåler

## SIKKERHET

### GENERELLE ADVARSLER FOR ELEKTROVERKTØY

**⚠ ADVARSEL** Les alle sikkerhetsanvisningene, instruksjonene, illustrasjonene og spesifikasjonene som følger med dette elektroverktøyet. Manglende overholdelse av anvisningene nedenfor kan medføre elektrisk støt, brann og/eller alvorlige personskader.

### Ta godt vare på alle advarslene og informasjonene.

Det nedenstående anvendte uttrykket "elektroverktøy" gjelder for strømdrevne (med ledning) og batteridrevne elektroverktøy (uten ledning).

#### 1) SIKKERHET PÅ ARBEIDSPLASSEN

- Hold arbeidsområdet rent og ryddig.** Rotete arbeidsområder eller arbeidsområder uten lys kan føre til ulykker.
- Ikke arbeid med elektroverktøyet i eksplosjonsutsatte omgivelser – der det befinner seg brennbare væsker, gass eller støv.** Elektroverktøy lager gnister som kan antenne støv eller damper.
- Hold barn og andre personer unna når elektroverktøyet brukes.** Hvis du blir forstyrret under arbeidet, kan du miste kontrollen over elektroverktøyet.

#### 2) ELEKTRISK SIKKERHET

- Støpselet til elektroverktøyet må passe inn i stikkkontakten. Støpselet må ikke forandres på noen som helst måte. Ikke bruk adapterstøpsler sammen med jordede maskiner.** Bruk av støpsler som ikke er forandret på og passende stikkontakter reduserer risikoen for elektriske støt.
- Unngå kroppskontakt med jordede overflater slik som rør, ovner, komfyrer og kjøleskap.** Det er større fare ved elektriske støt hvis kroppen din er jordet.
- Hold elektroverktøyet unna regn eller fuktighet.** Dersom det kommer vann i et elektroverktøy, øker risikoen for elektriske støt.
- Ikke bruk ledningen til andre formål, f.eks. til å bære elektroverktøyet, henge den opp eller trekke den ut av stikkkontakten. Hold ledningen unna varme, olje, skarpe kanter eller maskindeler som beveger seg.** Med skadede eller opphopede ledninger øker risikoen for elektriske støt.
- Når du arbeider utendørs med et elektroverktøy, må du kun bruke en skjøteledning som er godkjent til utendørs bruk.** Når du bruker en skjøteledning som er egnet for utendørs bruk, reduseres risikoen for elektriske støt.
- Hvis det ikke kan unngås å bruke elektroverktøyet i fuktige omgivelser, må du bruke en jordfeilbryter.** Bruk av en jordfeilbryter reduserer risikoen for elektriske støt.

#### 3) PERSONSIKKERHET

- Vær oppmerksom, pass på hva du gjør, gå fornuftig frem når du arbeider med et elektroverktøy. Ikke bruk elektroverktøyet når du er trett eller er påvirket av narkotika, alkohol eller medikamenter.** Et øyeblikks uoppmerksomhet ved bruk av elektroverktøyet kan føre til alvorlige skader.
- Bruk personlig verneutstyr og husk alltid å bruke vernebriller.** Bruk av personlig sikkerhetsutstyr som støvmaske, sklifaste arbeidssko, hjelm eller hørselvern – avhengig av type og bruk av elektroverktøyet – reduserer risikoen for skader.
- Unngå å starte verktøyet ved en feiltagelse. Forviss deg om at elektroverktøyet er slått av før du kobler det til strømmen og/eller batteriet, løfter det opp eller bærer det.** Hvis du holder fingeren på bryteren når du bærer elektroverktøyet eller kobler elektroverktøyet til strømmen i innkoblet tilstand, kan dette føre til uhell.
- Fjern innstillingsverktøy eller skrunøkler før du slår på elektroverktøyet.** Et verktøy eller en nøkkel som befinner seg i en roterende maskindel, kan føre til skader.
- Ikke overvurder deg selv. Sørg for å stå stødig og i balanse.** Dermed kan du kontrollere elektroverktøyet bedre i uventede situasjoner.
- Bruk alltid egnede klær. Ikke bruk vide klær eller smykker. Hold hår og klær unna deler som beveger seg.** Løstsittende tøy, smykker eller langt hår kan komme inn i deler som beveger seg.
- Hvis det kan monteres støvavsug- og oppsamlingsinnretninger, må du forvise deg om at disse er tilkoblet og brukes på korrekt måte.** Bruk av et støvavsug reduserer farer på grunn av støv.
- Selv når du er blitt vant til verktøyet, må du ikke bli sløv og ignorere sikkerhetsreglene for verktøyet.** En uforsiktig handling kan forårsake alvorlig personskade i løpet av et brøkdels sekund.



#### 4) AKTSOM HÅNDTERING OG BRUK AV ELEKTROVERKTØY

- a) **Ikke overbelast elektroverktøyet. Bruk et elektroverktøy som er beregnet til den type arbeid du vil utføre.** Med et passende elektroverktøy arbeider du bedre og sikrere i det angitte effektområdet.
  - b) **Ikke bruk elektroverktøy med defekt på-/avbryter.** Et elektroverktøy som ikke lenger kan slås av eller på, er farlig og må repareres.
  - c) **Trekk støpselet ut av stikkkontakten og/eller fjern batteriet (hvis demonterbart) før du utfører innstillinger på elektroverktøyet, skifter tilbehørsdeler eller legger elektroverktøyet bort.** Disse tiltakene forhindrer en utilsiktet startung av elektroverktøyet.
  - d) **Elektroverktøy som ikke er i bruk må oppbevares utilgjengelig for barn. Ikke la elektroverktøyet brukes av personer som ikke er fortrolig med dette eller ikke har lest disse anvisningene.** Elektroverktøy er farlige når de brukes av uerfarne personer.
  - e) **Vær nøye med vedlikeholdet av elektroverktøyet og tilbehøret. Kontroller om bevegelige maskindeler fungerer feilfritt og ikke klemmes fast, og om deler er brukket eller skadet, slik at dette innvirker på elektroverktøyet funksjon. La skadede deler repareres før elektroverktøyet brukes.** Dårlig vedlikeholdte elektroverktøy er årsaken til mange uhell.
  - f) **Hold skjæreverktøyene skarpe og rene.** Godt stelte skjæreverktøy med skarpe skjær setter seg ikke så ofte fast og er lettere å føre.
  - g) **Bruk elektroverktøy, tilbehør, verktøy osv. i henhold til disse anvisningene. Ta hensyn til arbeidsforholdene og arbeidet som skal utføres.** Bruk av elektroverktøy til andre formål enn det som er angitt kan føre til farlige situasjoner.
  - h) **Hold håndtak og gripeflater tørre, rene og uten olje eller fett.** Glatte håndtak og gripeflater hindrer sikker håndtering og styring av verktøyet i uventede situasjoner.
- #### 5) SERVICE
- a) **Maskinen din skal alltid kun repareres av kvalifisert fagpersonale og kun med originale reservedeler.** Slik opprettholdes elektroverktøyet sikkerhet.

#### SIKKERHETSANVISNINGER FOR BORHAMMER

##### GENERELL

- Sjekk alltid at tilført spenningen er den samme som oppgitt på verktøyet merkeplate (verktøy som er betegnet med 230V eller 240V kan også koples til et 220V strømuttak)
- Verktøyet må ikke brukes av personer under 16 år
- **Ikke bearbeid asbestholdig material** (asbest kan fremkalle kreft)
- Bruk ikke verktøyet dersom kabel er skadet; få den skiftet ud af en anerkendt fagmand
- **Ta alltid ut kontakten før du forandrer innstillinger på sagen eller skifter tilbehør**

##### TILBEHØR

- SKIL kan kun garantere et feilfritt verktøy dersom original-tilbehør brukes
- Bruk kun tilbehør med et godkjent turtall som er minst like høyt som verktøyet høyeste tomgangsturtall

#### FØR BRUK

- Bruk helt utrullet og sikker skjøteledning med en kapasitet på 16 A
- Ungå skade p.g.a. skruer, spiker eller andre elementer i arbeidsstykket; fjernes før man starter jobben
- **Sett fast arbeidsstykket** (et arbeidsstykke som er sikret med klemmer, sitter sikrere enn om det holdes fast for hånd)
- **Bruk egnede detektorer til å finne skjulte strøm-/gass-/vannledninger, eller spør hos det lokale el-/gass-/vannverket** (kontakt med elektriske ledninger kan medføre brann og elektrisk støt; skader på en gassledning kan føre til eksplosjon; inntrenging i en vannledning forårsaker materielle skader og kan medføre elektriske støt)
- Støv fra materialer som blyholdig maling, visse tresorter, mineraler og metall kan være skadelig (kontakt med eller inhalering av støv kan gi allergiske reaksjoner og/eller sykdommer i åndedrettsorganene for brukeren eller personer i nærheten); **bruk støvmaske og arbeid med støvfjerningsutstyr når det er mulig**
- Visse typer støv er klassifisert som kreftfremkallende (som f.eks. støv fra eik og bøk), spesielt sammen med tilsetningsstoffer for trebehandling; **bruk støvmaske og arbeid med støvfjerningsutstyr når det er mulig**
- Følg de nasjonale krav, når det gjelder støv for de materialer du ønsker å arbeide med

#### UNDER BRUK

- **Bruk hørselvern** (innvirkning av støv kan føre til at man mister hørselen)
- **Bruk ekstrahåndtakene som leveres sammen med verktøyet** (manglende kontroll kan forårsake personlige skader)
- **Hold elektroverktøyet på de isolerte gripeflatene, hvis du utfører arbeid der innsatstilbehøret kan treffe på skjulte strømledninger eller den egne strømledningen** (kontakt med en spenningsførende ledning kan også sette elektroverktøyet metalldele under spenning og føre til elektriske støt)
- Hold alltid kabelen borte fra bevegelige deler på verktøyet
- I tilfelle en elektrisk eller mekanisk svikt, skal verktøyet med en gang slås av og støpselet trekkes ut
- Hvis kabelen skades eller kappes under arbeid må kabelen ikke berøres, men støpselet straks trekkes ut
- Hvis boret plutselig skulle blokkere (førende til en rykkagtig farlig reaksjon), slå øyeblikkelig av bryteren
- Ta hensyn til de krefter som da oppstår ved blokkering (spesielt ved boring i metaller); **bruk alltid sidehåndtaket J** ⑤ og pass på å stå stødig

#### ETTER BRUK

- Når du setter bort verktøyet må bryteren slås av, bevegelige deler må være helt stoppet

#### FORKLARING AV SYMBOLER PÅ VERKTØY

② Les instruksjonsboken før bruk

③ Dobbeltisolert (ikke nødvendig med jordingsleder)

④ Kast aldri verktøy i husholdningsavfall

#### BRUK

- Av/på ⑥
- Låsning av bryteren for permanent drift ⑦
- Turtallsregulering for myk-start ⑧

- Variabel maksimumshastighet ⑨  
Maksimumshastighet kan justeres trinnløs fra minimum til maksimum med hjelp av hjulet B ⑤
- Endring av dreieretning ⑩
  - hvis ikke retningshendelen er riktig satt i venstre/høyre posisjon, sperres bryteren A
  - ! **endre bare dreieretning når verktøyet er helt stillestående**
- Valg av driftsmodus ⑪
  - trykk inn knappen F for å frigjøre bryteren E
  - vri bryteren E til ønsket driftsmodus inntil den snepper på plass
  - ! **ikke begynn å jobbe før bryteren E er låst på plass i riktig posisjon**
  - 1 = normal boring/skruing
  - 2 = slagboring
  - 3 = meisling med den roterende meiselen
  - 4 = meisling med den faste meiselen
  - ! **velg driftsmodus når verktøyet er slått av og støpselet trukket ut av kontakten**
  - hammermekanismen aktiveres ved å tilføre et lett trykk bak på drillen når boret står i kontakt med arbeidsmaterialet
  - beste hammerboringsresultat oppnås ved kun lett belastning på verktøyet; resultatet forbedres ikke ved å legge mer kraft på verktøyet
- Meisling med den roterende meiselen ⑫
  - ! **slå av verktøyet og trekk støpselet ut av kontakten**
  - velg modus for roterende meisling
- Meisling med den faste meiselen ⑬
  - ! **slå av verktøyet og trekk støpselet ut av kontakten**
  - velg modus for roterende meisling
  - sett meiselen på ønsket sted
  - velg modus for fast meisling
- Bytting av bits ⑭
  - ! **SDS+ tilbehør må renses og fettes lett inn før bruk**
  - trekk tilbake låsehylsen G og sett inn tilbehøret i SDS+ chucken mens du vrir og skyver til den griper; tilbehøret låses automatisk fast
  - kontrollér at tilbehøret er festet ved å trekke i det
  - fjern tilbehøret ved å trekke tilbake låsehylsen G
  - ! **SDS+ tilbehøret må bevegges fritt, ved tomgang vil dermed tilbehøret være usentrert, men sentrerer automatisk ved belastning uten at dette påvirker bor-nøyaktigheten**
  - ! **bruk aldri bit/meisler med skadet tange**
  - Til boring i tre, metall og kunststoff og dessuten til skruing bruk adapteren H ⑮
    - adapter må renses og fettes lett inn før bruk
    - trekk tilbake låsehylsen G og sett inn adapteren i SDS+ chucken mens du vrir og skyver til den griper; adapteren låses automatisk fast
    - kontrollér at adapteren er festet ved å trekke i det
    - sett bryteren E ⑤ på normal boringsfunksjon (**må kun betjenes når verktøyet er slått av og støpselet trukket ut av kontakten**)
- Sikkerhetskopling  
Dersom tilbehøret kjøres fast, avbrytes driften av spindelen (førende til en skramlende støy)
  - slå øyeblikkelig av verktøjet
  - fjern fastkjøret tilbehør
  - slå på verktøyet igjen

- Justering av boreddybden ⑯
- Grep og styring av verktøyet ⑰
  - ! **under arbeid, hold verktøyet alltid i grått(gråe) grepsområde(r)**
  - bruk alltid sidehåndtaket J (kan justeres som vist)
  - hold ventilasjonsåpningen utilddekket
  - ikke utøv for meget press på verktøyet; la verktøyet gjøre jobben for deg

## BRUKER TIPS

- Bruk riktig bits ⑱
  - ! **bruk alltid skarpt bit/meisler**
- Ved boring i jernholdige metaller
  - bor først et lite hull, når et stort hull er krevet
  - smør boret av og til med olje
- Ved skruing ute ved materialkanten er det en fordel å forbore for a ongå at materialet sprekker
- Splinterfri boring i tre ⑲
- Støvfri boring i vegger ⑳
- Støvfri boring i tak ㉑
- Boring i fliser uten skli ㉒
- Se flere tips på [www.skil.com](http://www.skil.com)

## VEDLIKEHOLD / SERVICE

- Dette verktøyet er ikke beregnet på profesjonell bruk
- Hold alltid verktøyet og kabelen ren (spesielt ventilasjons hullene K ⑥)
- ! **dra ut støpselet før rengjøring**
- Hvis elektroverktøyet til tross for omhyggelige produksjons- og kontrollmetoder en gang skulle svikte, må reparasjonen utføres av et autorisert serviceverksted for SKIL-elektroverktøy
  - send verktøyet i **montert** tilstand sammen med kjøpebevis til forhandleren eller nærmeste SKIL servicesenter (adresser liksom service diagram av verktøyet finner du på [www.skil.com](http://www.skil.com))

## MILJØ

- **Kast aldri elektroverktøy, tilbehør og emballasje i husholdningsavfallet** (kun for EU-land)
  - i henhold til EU-direktiv 2012/19/EF om kasserte elektriske og elektroniske produkter og direktivets iverksetting i nasjonal rett, må elektroverktøy som ikke lenger skal brukes, samles separat og returneres til et miljøvennlig gjenvinningsanlegg
  - symbolet ④ er påtrykt som en påminnelse når utskiftning er nødvendig

## STØY / VIBRASJON

- Målt ifølge EN 60745 er lydtrykknivået av dette verktøyet 91,0 dB(A) og lydstyrkenivået 102,0 dB(A) (standard deviasjon: 3 dB), og vibrasjonsnivået \* m/s<sup>2</sup> (vektorsum fra tre retninger; usikkerhet K = 1,5 m/s<sup>2</sup>)
  - \* ved hammerboring i betong 12,3 m/s<sup>2</sup>
  - \* ved meisling 10,9 m/s<sup>2</sup>
- Det avgitte vibrasjonsnivået er blitt målt i samsvar med en standardisert test som er angitt i EN 60745; den kan brukes til å sammenligne et verktøy med et annet, og som et foreløpig overslag over eksponering for vibrasjoner ved bruk av verktøyet til de oppgavene som er nevnt

- bruk av verktøyet til andre oppgaver, eller med annet eller mangelfullt vedlikeholdt utstyr, kan gi en vesentlig **økning** av eksponeringsnivået
  - tidsrommene når verktøyet er avslått eller når det går men ikke arbeider, kan gi en vesentlig **reduksjon** av eksponeringsnivået
- ! beskytt deg selv mot virkningene av vibrasjoner ved å vedlikeholde verktøyet og utstyret, holde hendene varme og organisere arbeidsmåten din**

FIN

## Poravasara

1763

### ESITTELY

- Koneet on tarkoitettu vasaraporaukseen betoniin, tiileen ja kiveen sekä keveään talttatyöhön; porattaessa puuta, metallia tai muovia tai ruuvattaessa on käytettävä erikseen näille materiaaleille tarkoitettuja tarvikkeita
- Vasaramekanismi tekee tarpeettomaksi kaikki traditionaaliset iskuporat porattaessa betoniin
- Tätä työkalua ei ole tarkoitettu ammattikäyttöön
- Tässä koneessa voidaan käyttää tavallisia SDS+ tarvikkeita
- Lue ja säilytä tämä ohjekirja ②

### TEKNISET TIEDOT ①

- \* ) Kiinnitysiskun voimakkuus vastaa EPTA-Procedure 05/2009

### LAITTEEN OSAT ⑤

- A On/off- ja nopeudensäätökytkin  
 B Pyörä maksiminopeuden säätämistä varten  
 C Kytkimen lukituksen painike  
 D Vipu pyörintäsunnan vaihtamiseksi  
 E Kytkin käyttötilan valitsemiseksi  
 F Vapautuspainike  
 G Lukitusholkki  
 H Adapterin + 13 mm:n istukka  
 J Apukahva  
 K Ilmanvaihto-aukot  
 L Poraussyvyyden rajoitin

### TURVALLISUUS

#### YLEISET SÄHKÖTYÖKALUJEN TURVALLISUUTEEN LIITTYVÄT VAROITUKSET

**VAROITUS** Lue kaikki tämän sähkötyökalun mukana toimitetut varoitukset, ohjeet, kuvat ja tekniset tiedot. Alla mainittujen ohjeiden noudattamisen laiminlyönti saattaa aiheuttaa sähköiskun, tulipalon ja/tai vakavan loukkaantumisen.

**Säilytä kaikki turvallisuus- ja muut ohjeet tulevaisuutta varten.**

Turvallisuusohjeissa käytetty käsite "sähkötyökalu" käsittää verkkokäyttöisiä sähkötyökaluja (verkkojohdolla) ja akkukäyttöisiä sähkötyökaluja (ilman verkkojohtoa).

#### 1) TYÖPAIKAN TURVALLISUUS

- a) **Pidä työskentelyalue puhtaana ja hyvin valaistuna.** Työpaikan epäjärjestys tai valaisemattomat työalueet voivat johtaa tapaturmiin.
- b) **Älä työskentele sähkötyökalulla räjähdysalttiissa ympäristössä, jossa on palavaa nestettä, kaasua tai pölyä.** Sähkötyökalu muodostaa kipinöitä, jotka saattavat sytyttää pölyn tai höyryt.
- c) **Pidä lapset ja sivulliset loitolla sähkötyökalua käyttäessäsi.** Voit menettää laitteesi hallinnan, huomiosi suuntautuessa muualle.

#### 2) SÄHKÖTURVALLISUUS

- a) **Sähkötyökalun pistotulpan tulee sopia pistorasiaan.** Pistotulppaa ei saa muuttaa millään tavalla. **Älä käytä mitään pistorasia-adaptereita maadoitettujen sähkötyökalujen kanssa.** Alkuperäisessä kunnossa olevat pistotulpat ja sopivat pistorasiat vähentävät sähköiskun vaaraa.
- b) **Vältä koskettamasta maadoitettuja pintoja, kuten putkia, pattereita, liesiä tai jääkaappeja.** Sähköiskun vaara kasvaa, jos kehosi on maadoitettu.
- c) **Älä aseta sähkötyökalua alttiiksi sateelle tai kosteudelle.** Veden tunkeutuminen sähkötyökalun sisään kasvattaa sähköiskun riskiä.
- d) **Älä käytä verkkojohtoa väärin. Älä käytä sitä sähkötyökalun kantamiseen, vetämiseen tai pistotulpan irrottamiseen pistorasiasta. Pidä johto loitolla kuumuudesta, öljystä, terävistä reunoista ja liikkuvista osista.** Vahingoittuneet tai sotkeutuneet johdot kasvattavat sähköiskun vaaraa.
- e) **Käyttäessäsi sähkötyökalua ulkona, käytä ainoastaan ulkokäyttöön soveltuvaa jatkojohtoa.** Ulkokäyttöön soveltuvan jatkojohdon käyttö pienentää sähköiskun vaaraa.
- f) **Jos sähkötyökalun käyttö kosteassa ympäristössä ei ole vältettävissä, tulee käyttää maavuotokatkaisijaa.** Maavuotokatkaisijan käyttö vähentää sähköiskun vaaraa.

#### 3) HENKILÖTURVALLISUUS

- a) **Ole valpas, kiinnitä huomiota työskentelyysi ja noudata tervettä järkeä sähkötyökalua käyttäessäsi. Älä käytä sähkötyökalua, jos olet väsynyt tai huumeiden, alkoholin tai lääkkeiden vaikutuksen alaisena.** Hetken tarkkaamattomuus sähkötyökalua käytettäessä, saattaa johtaa vakavaan loukkaantumiseen.
- b) **Käytä suojarusteita. Käytä aina suojalaseja.** Henkilökohtaisen suojarustuksen käyttö, kuten polynaamarin, luistamattomien turvakenkien, suojakypärän tai kuulonsuojaimien, riippuen sähkötyökalun lajista ja käyttötavasta, vähentää loukkaantumisen riskiä.
- c) **Vältä tahatonta käynnistämistä. Varmista, että sähkötyökalu on poiskytkettynä, ennen kuin liität sen sähköverkkoon ja/tai liität akun, otat sen käteen tai kannat sitä.** Jos kannat sähkötyökalua sormi käynnistyskytkimellä tai kytket sähkötyökalun pistotulpan pistorasiaan, käynnistyskytkimen ollessa käyntiasennossa, altistat itsesi onnettomuuksille.
- d) **Poista kaikki säätötyökalut ja ruuvitalat, ennen kuin käynnistät sähkötyökalun.** Työkalu tai avain, joka

sijaitsee laitteen pyöriässä osassa, saattaa johtaa loukkaantumiseen.

- e) **Älä yliarvioidi itseäsi. Huolehdi aina tukevasta seisoma-asennosta ja tasapainosta.** Täten voit paremmin hallita sähkötyökalua odottamattomissa tilanteissa.
- f) **Käytä tarkoitukseen soveltuvia vaatteita. Älä käytä löysiä työvaatteita tai koruja. Pidä hiukset ja vaatteet poissa liikkuvien osien ulottuvilta.** Väljät vaatteet, korut ja pitkät hiukset voivat takertua liikkuviin osiin.
- g) **Jos pölynimu- ja keräilylaitteita voidaan asentaa, tulee sinun tarkistaa, että ne on liitetty ja että ne käytetään oikealla tavalla.** Pölynimulaitteiston käyttö vähentää pölyn aiheuttamia vaaroja.
- h) **Työskentele keskittyneesti ja noudata aina turvallisuusmääräyksiä.** etkellinenkin huolimattomuus voi aiheuttaa vakavia vammoja.
- 4) SÄHKÖTYÖKALUJEN KÄYTTÖ JA HOITO**
- a) **Älä ylikuormita laitetta. Käytä kypseeseen työhön tarkoitettua sähkötyökalua.** Sopivaa sähkötyökalua käyttäen työskentelet paremmin ja varmemmin tehoalueella, jolle sähkötyökalu on tarkoitettu.
- b) **Älä käytä sähkötyökalua, jota ei voida käynnistää ja pysäyttää käynnistyskytkimestä.** Sähkötyökalu, jota ei enää voida käynnistää ja pysäyttää käynnistyskytkimellä, on vaarallinen ja se täytyy korjata.
- c) **Irrota pistotulppa pistorasiasta ja/tai irrota akku (jos irrotettava) sähkötyökalusta, ennen kuin suoritat säätöjä, vaihdat tarvikkeita tai viet sähkötyökalun varastoon.** Nämä turvatoimenpiteet pienentävät sähkötyökalun tahattoman käynnistysriskin.
- d) **Säilytä sähkötyökalut poissa lasten ulottuvilta, kun niitä ei käytetä. Älä anna sellaisen henkilöiden käyttää sähkötyökalua, jotka eivät tunne sitä tai jotka eivät ole lukeneet tätä käyttöohjetta.** Sähkötyökalut ovat vaarallisia, jos niitä käyttävät kokemattomat henkilöt.
- e) **Pidä sähkötyökalut ja tarvikkeet hyvässä kunnossa. Tarkista, että liikkuvat osat toimivat moitteettomasti, eivätkä ole puristuksessa sekä, että siinä ei ole murtuneita tai vahingoittuneita osia, jotka saattaisivat vaikuttaa haitallisesti sähkötyökalun toimintaan. Anna korjauttaa mahdolliset viat ennen käyttöönottoa.** Monen tapaturman syyt löytyvät huonosti huolletuista laitteista.
- f) **Pidä leikkausterät terävinä ja puhtaina.** Huolellisesti hoidetut leikkaustyökalut, joiden leikkausreunat ovat teräviä, eivät tartu helposti kiinni ja niitä on helpompi hallita.
- g) **Käytä sähkötyökaluja, tarvikkeita, vaihtotyökaluja jne. näiden ohjeiden mukaisesti. Ota tällöin huomioon työolosuhteet ja suoritettava toimenpide.** Sähkötyökalun käyttö muuhun kuin sille määrättyyn käyttöön, saattaa johtaa vaarallisiin tilanteisiin.
- h) **Pidä kahvat ja kädensijat kuivina ja puhtaina (öljyttöminä ja rasvattomina).** Jos kahvat ja kädensijat ovat liukkaita, et pysty ylläpitävissä tilanteissa ohjaamaan ja hallitsemaan työkalua turvallisesti.
- 5) HUOLTO**
- a) **Anna koulutettujen ammattihenkilöiden korjata sähkötyökalusi ja hyväksy korjauksiin vain alkuperäisiä varaosia.** Täten varmistat, että sähkötyökalu säilyy turvallisena.

## PORAVASARAN TURVALLISUUSOHJEET

### YLEISTÄ

- Tarkista aina, että syöttöjännite on sama kuin työkalun nimilaatan osoittama jännite (työkalut, joiden jännitetaso on 230V tai 240V, voidaan kytkeä myös 220V tason jännitteeseen)
- Tätä työkalua saavat käyttää vain 16 vuotta täyttäneet henkilöt
- **Älä koskaan työstä asbestipitoista ainetta** (asbestia pidetään karsinogeenisena)
- Älä käytä työkalua, kun johto on vioittunut; vaan toimita se valtuutettuun huoltoliikkeeseen
- **Irrota aina pistotulppa pistorasiasta, ennen kuin suoritat laitteelle mitään säätöjä tai vaihdat tarviketta**

### VARUSTEET

- SKIL pystyy takaamaan työkalun moitteettoman toiminnan vain, kun käytetään alkuperäisiä tarvikkeita
- Käytä vain tarvikkeita, joiden sallittu kierros- ja vähintään yhtä suuri kuin laitteen suurin tyhjäkäyntieros- ja kierros- ja kierros-

### ENNEN KÄYTTÖÄ

- Käytä täysin rullaamattomia ja turvallisia jatkejohtoja, joiden kapasiteetti on 16 ampeeria
- Vältä vaaralliset vahingot, jotka voivat aiheutua nauloista, ruuveista tai muista aineista työstettävässä materiaalissa; poista ne ennen työskentelyn aloittamista
- **Kiinnitä työstettävä kappale** (kiinnittimeen tai puristimeen kiinnitetty työstettävä kappale pysyy tukevammin paikoillaan kuin käsin pidettäessä)
- **Käytä sopivia esintälaitteita piilossa olevien syöttöjohtojen paikallistamiseksi, tai käänny paikallisen jakeluyltiön puoleen** (kosketus sähköjohtoon saattaa johtaa tulipaloon ja sähköiskuun; kaasuputken vahingoittaminen saattaa johtaa räjähdyksen; vesijohtoon tunkeutuminen aiheuttaa aineellista vahinkoa tai saattaa johtaa sähköiskuun)
- Materiaaleista, kuten lyijypitoinen maali, jotkut puulajit, mineraalit ja metallit, tuleva pöly voi olla vahingollista (kosketuksiin joutuminen pölyn kanssa tai sen sisään hengittäminen voi aiheuttaa käyttäjälle tai sivustakatsojille allergiareaktioita ja/tai hengitysvaivoja); **käytä pölynaamaria ja työskentele pölynpoistolaitteen kanssa, kun sellainen on liitettävissä**
- Tiettyntyyppiset pölyt on luokiteltu karsinogeenisiksi (kuten tammi- ja pyökkipöly) erityisesti puun käsittelyyn käytettävien lisäaineiden yhteydessä; **käytä pölynaamaria ja työskentele pölynpoistolaitteen kanssa, kun sellainen on liitettävissä**
- Noudata maakohtaisia pölyyn liittyviä sääntöjä

### KÄYTÖN AIKANA

- **Käytä kuulonsuojainta** (melu saattaa aiheuttaa kuulon menetystä)
- **Käytä työkalun mukana toimitettuja lisäkahvoja** (hallinnan menettäminen saattaa johtaa loukkaantumisiin)
- **Tartu sähkötyökaluun ainoastaan eristetyistä pinnoista, tehdessäsi työtä, jossa vaihtotyökalu saattaisi osua piilossa olevaan sähköjohtoon tai sähkötyökalun omaan sähköjohtoon** (kosketus jännitteeseen johtoon voi saattaa sähkötyökalun metalliosat jännitteisiksi ja johtaa sähköiskuun)

- Pidä johto aina poissa työkalun liikkuvien osien läheisyydestä
- Jos huomaat sähköisen tai mekaanisen vian, sammuta kone heti ja irrota liitosjohto pistorasiasta
- Jos sähköjohto vahingoittuu tai katkeaa työn aikana ei johtoa saa koskettaa, vaan pistotulppa on välittömästi irrotettava pistorasiasta
- Jos poran terä juuttuu odottamatta (aiheuttaen äkillisen, vaarallisen reaktion), katkaise virta työkalusta välittömästi
- Tarkkaile valppaasti juuttumisen aiheuttamia seurauksia (varsinkin metalleja porattaessa); **käytä aina apukahvaa J ⑤** ja asetaudu tukevaan asentoon

## KÄYTÖN JÄLKEEN

- Kun panet koneen pois, sammuta moottori ja varmista, että kaikki liikkuvat osat ovat pysähtyneet

## TYÖKALUN SYMBOLIEN SELITYKSET

- ② Lue käyttöohjeet ennen käyttöä
- ③ Kaksoiseristys (ei tarvita maajohtoa)
- ④ Älä hävitä konettasi tavallisen kotitalousjätteen mukana

## KÄYTTÖ

- Käynnistys/pysäytys ⑥
- Kytkimen lukitseminen jatkuvaa käyttöä varten ⑦
- Nopeudensäätö tasaista käynnistystä varten ⑧
- Maksiminopeuden säätö ⑨  
Maksiminopeus voidaan säätää portaattomasti minimistä maksimiin säätöpyörästä B ⑤
- Pyörintäsuunnan vaihto ⑩
  - jos säätöä ei ole oikein asetettu vasen/oikea -asentoon, kytkintä A ei voi käynnistää
  - ! **muuta pyörintäsuuntaa vain kun työkalu on täysin pysäytettyinä**
- Käyttötilan valinta ⑪
  - vapauta kytkin E painamalla painiketta F
  - kierrä kytkin E haluamaasi käyttötilaan niin, että se napsahtaa paikalleen
  - ! **aloita työskentely vasta, kun kytkin E on lukittu**
  - 1 = normaali poraus/ruuvinkierteitys
  - 2 = iskuporaus
  - 3 = piikkaus pyörivällä taltalla
  - 4 = piikkaus kiinteällä taltalla
  - ! **valitse käyttötila vain kun kone ei pyöri ja kun kosketin on irrotettuna pistorasiasta**
  - vasaramekanismi aktivoituu kevyellä painamisella kun porantera on kiinni työstökohteessa
  - paras vasaraporaustulos saavutetaan kevyellä painamisella; porausteho ei lisääny painamalla lisää konetta
- Piikkaus pyörivällä taltalla ⑫
  - ! **sammuta kone ja irrota pistoke pistorasiasta**
  - valitse "pyörivä" piikkaustila
- Piikkaus kiinteällä taltalla ⑬
  - ! **sammuta kone ja irrota pistoke pistorasiasta**
  - valitse "pyörivä" piikkaustila
  - aseta taltta haluamaasi asentoon
  - valitse "kiinteä" piikkaustila
- Kärkien vaihto ⑭
  - ! **SDS+ tarvikkeet puhdistetaan ja rasvataan kevyesti ennen käyttöä**
  - vedä lukitusholkki G taakse ja aseta tarvikkeet SDS+ istukkaan samalla kun kierrät ja työnnot sitä, kunnes se lukkiutuu; tarvikkeet lukkiutuvat kiinni itsestään
  - lukkiutumisen tarkistetaan vetämällä tarvikkeita ulospäin

- irrota tarvikkeet vetämällä lukitusholkkia G taaksepäin
- ! **SDS+ tarvikkeiden on oltava vapaasti liikuteltavissa, siten syntyä tyhjäkäynnillä pyörintäheitoa, joka porattaessa keskiöityy; tällä ei ole mitään vaikutusta porausreian tarkkuuteen**
- ! **älä käytä kärkiä/taltoja, joiden varsi on vahingoittunut**
- Adapterilla H ⑮ voidaan porata puuta, metallia ja muovia tai ruuvata
  - adapteri puhdistetaan ja rasvataan kevyesti ennen käyttöä
  - vedä lukitusholkki G taakse ja aseta adapteri SDS+ istukkaan samalla kun kierrät ja työnnot sitä, kunnes se lukkiutuu; adapteri lukkiutuu kiinni itsestään
  - lukkiutumisen tarkistetaan vetämällä adapteria ulospäin
  - aseta kytkin E ⑤ porausoimintoasentoon (**saadaan käyttää vain virran ollessa katkaistuna työkalusta ja kun kosketin on irrotettuna pistorasiasta**)
- Turvakytkin
  - Jos tarvike jumiuuu työstön aikana, kytkeyty akseli irti käyttövoimasta (aiheuttaen kalisevan äänen)
    - sammuta kone heti
    - poista juuttunut tarvike
    - käynnistä uudelleen kone
- Porausryyvyyden säätö ⑯
- Koneen pitäminen ja ohjaaminen ⑰
  - ! **pidä työkalusta kiinni aina työskentelyn aikana harmaan värisestä kädensija(o)ista**
  - **käytä aina apukahvaa J** (voidaan säätää kuvan osoittamalla tavalla)
  - älä peitä ilmanvaihto-aukkoja
  - älä paina työkalua liian voimakkaasti; vaan anna työkalun tehdä työ puolestasi

## VINKKEJÄ

- Käytä oikeantyyppisiä kärkiä ⑱
- ! **käytä vain teräviä kärkiä/taltoja**
- Porattaessa rautametalleja
  - poraa ensin pienempi esireikä ja jatka sitten isommalla terällä
  - voitele porantera ajoittain öljyllä
- Kun ruuvi väännetään lähelle puun reunaa, pitää porata esireikä ruuvia varten, jotta estetään puun halkeaminen
- Repimätön poraus puuhun ⑲
- Pölytön poraus seiniin ⑳
- Pölytön poraus kattoihin ㉑
- Poraus laattoihin luiskauttamatta ㉒
- Lisävinkkejä on tarjolla web-osoitteessa [www.skil.com](http://www.skil.com)

## HOITO / HUOLTO

- Tätä työkalua ei ole tarkoitettu ammattikäyttöön
- Pidä työkalu ja johto puhtaina (varmista erityisesti ilma-aukkojen puhtaus K ⑤)
- ! **irrota liitosjohto aina puhdistuksen ajaksi pistorasiasta**
- Jos sähkötyökalussa, huolellisesta valmistuksesta ja koestusmenettelystä huolimatta esiintyy vikaa, tulee korjaus antaa SKIL sopimushuollon tehtäväksi
  - toimita työkalu sitä osiin **purkamatta** lähimpään SKIL-huoltoon (osoitteet ja työkalun huoltokaava ovat tarjolla web-osoitteessa [www.skil.com](http://www.skil.com)) ostotodiste mukaan liitettynä

## YMPÄRISTÖNSUOJELU

- **Älä hävitä sähkötyökalua, tarvikkeita tai pakkausta tavallisen kotitalousjätteen mukana** (koskee vain EU-maita)
  - vanhoja sähkö- ja elektroniikkalaitteita koskevan EU-direktiivin 2012/19/ETY ja sen maakohtaisten sovellusten mukaisesti käytetyt sähkötyökalut on toimitettava ongelmajätteen keräyspisteeseen ja ohjattava ympäristöstävälliseen kierrätykseen
  - symboli ④ muistuttaa tästä, kun käytöstä poisto tulee ajankohtaiseksi

## MELU / TÄRINÄ

- Mitattuna EN 60745 mukaan työkalun melutaso on 91,0 dB(A) ja yleensä työkalun äänen voimakkuus on 102,0 dB(A) (keskihajonta: 3 dB), ja tärinän voimakkuus \* m/s<sup>2</sup> (kolmen suunnan vektorisumma; epävarmuus K = 1,5 m/s<sup>2</sup>)
    - \* betoniin vasaraporattaessa 12,3 m/s<sup>2</sup>
    - \* piikkattaessa 10,9 m/s<sup>2</sup>
  - Tärinäsaiteilytaso on mitattu standardin EN 60745 mukaisen standarditestin mukaisesti; sitä voidaan käyttää verrattaessa yhtä laitetta toiseen sekä alustavana tärinälle altistumisen arviona käytettäessä laitetta manituissa käyttötarkoituksissa
    - laitteen käyttö eri käyttötarkoituksiin tai erilaisten tai huonosti ylläpidettyjen lisälaitteiden kanssa voi **lisätä** merkittävästi altistumistasoa
    - laitteen ollessa sammuksissa tai kun se on käynnissä, mutta sillä ei tehdä työtä, altistumistaso voi olla huomattavasti **pienempi**
- ! suojaudu tärinän vaikutuksilta ylläpitämällä laite ja sen lisävarusteet, pitämällä kädet lämpiminä ja järjestämällä työmenetelmät**

E

## Martillo perforador

1763

## INTRODUCCIÓN

- La herramienta ha sido diseñada para taladrar de martillo en hormigón, ladrillo y piedra, así como para trabajos ligeros de cincelado; para taladrar en madera, metal y materiales sintéticos así como para atornillar deben utilizarse accesorios específicos
- El sistema del martillo en esta herramienta supera los trabajos realizados en hormigón más que cualquier taladro percutor tradicional
- Esta herramienta no está concebida para uso profesional
- Esta herramienta ha sido especialmente diseñada para ser usada en combinación con todos los accesorios estandar SDS+
- Lea y conserve este manual de instrucciones ②

## DATOS TÉCNICOS ①

- \*) Energía por percusión según EPTA-Procedure 05/2009

## ELEMENTOS DE LA HERRAMIENTA ⑤

- A Interruptor para encendido/apagado y control de velocidad
- B Rueda para regular la velocidad máxima
- C Botón para bloquear el interruptor
- D Palanca para invertir la dirección de giro
- E Interruptor para seleccionar el modo de operación
- F Botón de desbloqueo
- G Casquillo de bloqueo
- H Adaptador + portabrocas de 13 mm
- J Empuñadura auxiliar
- K Ranuras de ventilación
- L Tope de profundidad

## SEGURIDAD

### ADVERTENCIAS DE PELIGRO GENERALES PARA HERRAMIENTAS ELÉCTRICAS

**⚠ ADVERTENCIA** Lea íntegramente las advertencias de peligro, las instrucciones, las ilustraciones y las especificaciones entregadas con esta herramienta eléctrica. En caso de no atenderse a las instrucciones siguientes, ello puede ocasionar una descarga eléctrica, un incendio y/o una lesión grave.

### Guardar todas las advertencias de peligro e instrucciones para futuras consultas.

El término "herramienta eléctrica" empleado en las siguientes advertencias de peligro se refiere a herramientas eléctricas de conexión a la red (con cable de red) y a herramientas eléctricas accionadas por acumulador (o sea, sin cable de red).

### 1) SEGURIDAD DEL PUESTO DE TRABAJO

- a) **Mantenga limpia y bien iluminada su área de trabajo.** El desorden o una iluminación deficiente en las áreas de trabajo pueden provocar accidentes.
- b) **No utilice la herramienta eléctrica en un entorno con peligro de explosión, en el que se encuentren combustibles líquidos, gases o material en polvo.** Las herramientas eléctricas producen chispas que pueden llegar a inflamar los materiales en polvo o vapores.
- c) **Mantenga alejados a los niños y otras personas de su área de trabajo al emplear la herramienta eléctrica.** Una distracción le puede hacer perder el control sobre la herramienta.

### 2) SEGURIDAD ELÉCTRICA

- a) **El enchufe de la herramienta eléctrica debe corresponder a la toma de corriente utilizada. No es admisible modificar el enchufe en forma alguna. No emplear adaptadores en herramientas eléctricas dotadas con una toma de tierra.** Los enchufes sin modificar adecuados a las respectivas tomas de corriente reducen el riesgo de una descarga eléctrica.
- b) **Evite que su cuerpo toque partes conectadas a tierra como tuberías, radiadores, cocinas y refrigeradores.** El riesgo a quedar expuesto a una descarga eléctrica es mayor si su cuerpo tiene contacto con tomas de tierra.

- c) **No exponga las herramientas eléctricas a la lluvia o a condiciones de humedad.** Existe el peligro de recibir una descarga eléctrica si penetran líquidos en la herramienta eléctrica.
- d) **No utilice el cable de red para transportar o colgar la herramienta eléctrica, ni tire de él para sacar el enchufe de la toma de corriente.** Mantenga el cable de red alejado del calor, aceite, esquinas cortantes o piezas móviles. Los cables de red dañados o enredados pueden provocar una descarga eléctrica.
- e) **Al trabajar con la herramienta eléctrica en la intemperie utilice solamente cables de prolongación homologados para su uso en exteriores.** La utilización de un cable de prolongación adecuado para su uso en exteriores reduce el riesgo de una descarga eléctrica.
- f) **Si el funcionamiento de una herramienta eléctrica en un lugar húmedo fuese inevitable, utilice un cortacircuito de fuga a tierra.** El uso de un cortacircuito de fuga a tierra reduce el riesgo de descarga eléctrica.

### 3) SEGURIDAD DE PERSONAS

- a) **Esté atento y emplee la herramienta eléctrica con prudencia. No utilice la herramienta eléctrica si estuviese cansado, ni bajo los efectos de alcohol, drogas o medicamentos.** El no estar atento durante el uso de una herramienta eléctrica puede provocarle serias lesiones.
- b) **Utilice un equipo de protección personal y en todo caso unas gafas de protección.** El riesgo a lesionarse se reduce considerablemente si, dependiendo del tipo y la aplicación de la herramienta eléctrica empleada, se utiliza un equipo de protección adecuado como una mascarilla antipolvo, zapatos de seguridad con suela antideslizante, casco, o protectores auditivos.
- c) **Evite una puesta en marcha fortuita. Asegurarse de que la herramienta eléctrica esté desconectada antes de conectarla a la toma de corriente y/o al montar el acumulador, al recogerla, y al transportarla.** Si transporta la herramienta eléctrica sujetándola por el interruptor de conexión/desconexión, o si introduce el enchufe en la toma de corriente con la herramienta eléctrica conectada, ello puede dar lugar a un accidente.
- d) **Retire las herramientas de ajuste o llaves fijas antes de conectar la herramienta eléctrica.** Una herramienta o llave colocada en una pieza rotativa puede producir lesiones graves al accionar la herramienta eléctrica.
- e) **Sea precavido. Trabaje sobre una base firme y mantenga el equilibrio en todo momento.** Ello le permitirá controlar mejor la herramienta eléctrica en caso de presentarse una situación inesperada.
- f) **Lleve puesta una vestimenta de trabajo adecuada. No utilice vestimenta amplia ni joyas. Mantenga su pelo y vestimenta alejados de las piezas móviles.** La vestimenta suelta, las joyas y el pelo largo se pueden enganchar con las piezas en movimiento.
- g) **Siempre que sea posible utilizar equipos de aspiración o captación de polvo, asegúrese que éstos estén montados y que sean utilizados correctamente.** El empleo de estos equipos reduce los riesgos derivados del polvo.

- h) **No permita que la familiaridad ganada por el uso frecuente de la herramienta eléctrica lo deje creerse seguro e ignorar las normas de seguridad.** Una acción negligente puede causar lesiones graves en una fracción de segundo.

### 4) CUIDADO Y UTILIZACIÓN DE HERRAMIENTAS ELÉCTRICAS

- a) **No sobrecargue la herramienta eléctrica. Use la herramienta eléctrica prevista para el trabajo a realizar.** Con la herramienta eléctrica adecuada podrá trabajar mejor y con mayor seguridad dentro del margen de potencia indicado.
- b) **No utilice herramientas eléctricas con un interruptor defectuoso.** Las herramientas eléctricas que no se puedan conectar o desconectar son peligrosas y deben repararse.
- c) **Saque el enchufe de la red y/o retire el acumulador desmontable de la herramienta eléctrica, antes de realizar un ajuste, cambiar de accesorio o al guardar la herramienta eléctrica.** Esta medida preventiva reduce el riesgo de conectar accidentalmente la herramienta eléctrica.
- d) **Guarde las herramientas eléctricas fuera del alcance de los niños y de las personas que no estén familiarizadas con su uso.** Las herramientas eléctricas utilizadas por personas inexpertas son peligrosas.
- e) **Cuide la herramienta eléctrica y los accesorios con esmero. Controle si funcionan correctamente, sin atascarse, las partes móviles de la herramienta eléctrica, y si existen partes rotas o deterioradas que pudieran afectar al funcionamiento de la herramienta eléctrica. Si la herramienta eléctrica estuviese defectuosa haga repararla antes de volver a utilizarla.** Muchos de los accidentes se deben a herramientas eléctricas con un mantenimiento deficiente.
- f) **Mantenga los útiles limpios y afilados.** Los útiles mantenidos correctamente se dejan guiar y controlar mejor.
- g) **Utilice herramientas eléctricas, accesorios, útiles, etc. de acuerdo con estas instrucciones, teniendo en cuenta las condiciones de trabajo y la tarea a realizar.** El uso de herramientas eléctricas para trabajos diferentes de aquellos para los que han sido concebidas puede resultar peligroso.
- h) **Mantenga las empuñaduras y las superficies de las empuñaduras secas, limpias y libres de aceite y grasa.** Las empuñaduras y las superficies de las empuñaduras resbaladizas no permiten un manejo y control seguro de la herramienta eléctrica en situaciones imprevistas.

- h) **Mantenga las empuñaduras y las superficies de las empuñaduras secas, limpias y libres de aceite y grasa.** Las empuñaduras y las superficies de las empuñaduras resbaladizas no permiten un manejo y control seguro de la herramienta eléctrica en situaciones imprevistas.

### 5) SERVICIO

- a) **Únicamente haga reparar su herramienta eléctrica por un profesional, empleando exclusivamente piezas de repuesto originales.** Solamente así se mantiene la seguridad de la herramienta eléctrica.

### INSTRUCCIONES DE SEGURIDAD PARA MARTILLOS

#### GENERAL

- Compruebe siempre que la tensión de alimentación es la misma que la indicada en la placa de características de la herramienta (las herramientas de 230V o 240V pueden conectarse también a 220V)

- Esta herramienta no debe utilizarse por personas menores de 16 años
- **No trabaje materiales que contengan amianto** (el amianto es cancerígeno)
- No utilizar la herramienta cuando el cable esté dañado; hágalo cambiar por una persona calificada
- **Desenchufar siempre la herramienta antes de realizar cualquier ajuste o cambiar algún accesorio**

#### ACCESORIOS

- SKIL únicamente puede garantizar un funcionamiento correcto de la herramienta al emplear accesorios originales
- Utilice únicamente accesorios cuyo límite de revoluciones permitido sea como mínimo igual a las revoluciones en vacío máximas de la herramienta

#### ANTES DEL USO

- Utilice cables de extensión seguros y completamente desenrollados con una capacidad de 16 amperios
- Evite los daños que puedan causar los tornillos, clavos y otros objetos sobre la pieza de trabajo; retírelos antes de empezar a trabajar
- **Asegure la pieza de trabajo** (una pieza de trabajo fijada con unos dispositivos de sujeción o en un tornillo de banco, se mantiene sujeta de forma mucho más segura que con la mano)
- **Utilice aparatos de detección adecuados para localizar posibles conductores o tuberías ocultas, o consulte a su compañía abastecedora** (el contacto con conductores eléctricos puede provocar una descarga eléctrica e incluso un incendio; al dañar una tubería de gas puede producirse una explosión; la perforación de una tubería de agua pueden causar daños materiales o una descarga eléctrica)
- El polvo del material, como por ejemplo la pintura que contiene plomo, algunas especies de madera, minerales y metal podrían ser dañinos (el contacto o inhalación del polvo podría producir reacciones alérgicas y/o trastornos respiratorios al operador u otras personas cerca); **utilice una máscara contra el polvo y trabaje con un dispositivo de extracción de polvo cuando lo conecte**
- Ciertos tipos de polvo están catalogados como cancerígenos (por ejemplo el polvo de roble y de haya) especialmente junto con aditivos para el acondicionamiento de la madera; **utilice una máscara contra el polvo y trabaje con un dispositivo de extracción de polvo cuando lo conecte**
- Siga la normativa nacional en cuanto a extracción de polvo, en función de los materiales que vayan a ser utilizados

#### DURANTE EL USO

- **Utilice protectores auditivos** (el ruido intenso puede provocar sordera)
- **Emplee las empuñaduras adicionales suministradas con la herramienta** (la pérdida de control sobre la herramienta puede provocar un accidente)
- **Sujete la herramienta eléctrica por las superficies de agarre aisladas al realizar trabajos en los que el accesorio pueda tocar conductores eléctricos ocultos o el propio cable** (el contacto con conductores bajo tensión puede hacer que las partes metálicas de la herramienta eléctrica le provoquen una descarga eléctrica)
- Mantenga siempre el cable lejos de las partes móviles de la herramienta

- En el caso de que se produjera un mal funcionamiento eléctrico o mecánico, apague inmediatamente la herramienta y desconecte el enchufe
- Si llega a dañarse o cortarse el cable eléctrico durante el trabajo, no tocar el cable, sino extraer inmediatamente el enchufe de la red
- Si la broca se bloquea inesperadamente (causando una brusca y peligrosa reacción), desconectar la herramienta inmediatamente
- Tenga cuidado con las fuerzas resultantes del bloqueo (sobre todo al taladrar metales); **utilizar siempre el puño auxiliar J** ⑤ y adopte una posición estable

#### DESPUÉS DEL USO

- Ponga atención al guardar su herramienta de que el motor está apagado y las partes móviles están parados

#### EXPLICACIÓN DE LOS SÍMBOLOS DE LA HERRAMIENTA

- ② Lea el manual de instrucciones antes de utilizarla
- ③ Doble aislamiento (no requiere cable de tierra)
- ④ No deseche la herramienta junta con los residuos domésticos

#### USO

- Encendido/apagado ⑥
- Bloqueo del interruptor para uso permanente ⑦
- Control de velocidad para un arranque suave ⑧
- Control de la velocidad máxima ⑨  
Con la rueda B ⑤ puede regularse, sin escalonamientos, la velocidad máxima desde la posición mínima hasta la máxima
- Inversión de la dirección de giro ⑩  
- si el inversor de giro no está adecuadamente colocado en la posición izquierda/derecha, el interruptor A no podrá ser activado
- ! **sólo invierta la dirección de giro cuando la herramienta esté completamente parada**
- Selección del modo de operación ⑪  
- pulse el botón F para desbloquear el interruptor E  
- gire el interruptor E al modo de operación deseado hasta que quede bloqueado
- ! **comience el trabajo sólo cuando el interruptor E esté bloqueado**  
1 = taladrado sin percusión/atornillado  
2 = taladrado con percusión  
3 = cincelado con cincel giratorio  
4 = cincelado con cincel fijo
- ! **seleccione sólo el modo de operación cuando la herramienta esté apagada y el enchufe desconectado**  
- el mecanismo del martillo se pone en marcha si usted empuja suavemente la herramienta cuando está taladrando  
- se pueden alcanzar los mejores resultados al taladrar de martillo en hormigón empujando suavemente la herramienta; el rendimiento al taladrar no se aumentará empujando más fuerte su herramienta
- Cincelado con cincel giratorio ⑫  
! **pare la herramienta y desenchúfela**  
- seleccione el modo de cincelado "giratorio"
- Cincelado con cincel fijo ⑬  
! **pare la herramienta y desenchúfela**  
- seleccione el modo de cincelado "giratorio"  
- coloque el cincel en la posición deseada  
- seleccione el modo de cincelado "fijo"



- Cambio de brocas <sup>(14)</sup>

**! limpiar y engrasar levemente el accesorio SDS+ antes de su montaje**

- tirar hacia atrás el casquillo de bloqueo G e introducir el accesorio en el portabrocas SDS+ girándolo y empujándolo hasta que encastre; el accesorio se bloquea automáticamente
- tirar del accesorio para cerciorarse de que esté bloqueado
- retirar el accesorio tirando hacia atrás el casquillo de bloqueo G

**! el accesorio SDS+ deberá poder moverse libremente, lo que al funcionar en vacío resulta en una desviación de la marcha circular; al taladrar el accesorio se centra automáticamente sin afectar la exactitud del taladro**

**! no utilice brocas/cinceles con un mago deteriorado**

Para taladrar sin percusión en madera, metal y material sintético así como para atornillar utilizar el adaptador H

- <sup>(15)</sup>
- limpiar y engrasar levemente el adaptador antes de su montaje
- tirar hacia atrás el casquillo de bloqueo G e introducir el adaptador en el portabrocas SDS+ girándolo y empujándolo hasta que encastre; el adaptador se bloquea automáticamente
- tirar del adaptador para cercionarse de que esté bloqueado
- coloque el interruptor E <sup>(5)</sup> en la función de taladro normal (**accionar sólo cuando la herramienta está apagada y el enchufe desconectado**)

- Embrague de seguridad

En caso de bloqueo del accesorio, se interrumpe el accionamiento del eje (causando un ruido tableteando)

- parar inmediatamente la herramienta
- retirar el accesorio bloqueado
- poner en marcha la herramienta una vez más

- Regulación de la profundidad de perforación <sup>(16)</sup>

- Sujeción y manejo de la herramienta <sup>(17)</sup>

**! durante el trabajo, sujete siempre la herramienta por la(s) zona(s) de empuñadura de color gris**

- **utilizar siempre el puño auxiliar J** (puede ser ajustado de la forma ilustrada)
- mantenga libres las ranuras de ventilación
- no ejerza demasiada presión en la herramienta; deje que la herramienta haga su trabajo

## CONSEJOS DE APLICACIÓN

- Utilice las brocas adecuadas <sup>(18)</sup>

**! utilice únicamente brocas/cinceles afilados**

- Al taladrar metales ferrosos
  - pretaladre antes un agujero pequeño
  - lubrique de cuando en cuando la broca con aceite
- Taladrar de antemano un agujero para poder atornillar en/cerca o al lado de la madera para prevenir la rotura de ésta
- Taladrar sin virutas en madera <sup>(19)</sup>
- Taladrado sin polvo en paredes <sup>(20)</sup>
- Taladrado sin polvo en techos <sup>(21)</sup>
- Taladrado en azulejos sin resbalar <sup>(22)</sup>
- Para más consejos vea [www.skil.com](http://www.skil.com)

## MANTENIMIENTO / SERVICIO

- Esta herramienta no está concebida para uso profesional
- Mantenga limpio el cable eléctrico y la herramienta (sobre todo las ranuras de ventilación K <sup>(5)</sup>)
- ! desenchufar la herramienta antes de limpiar**
- Si a pesar de los esmerados procesos de fabricación y control, la herramienta llegase a averiarse, la reparación deberá encargarse a un servicio técnico autorizado para herramientas eléctricas SKIL
  - envíe la herramienta **sin desmontar** junto con una prueba de su compra a su distribuidor o a la estación de servicio más cercana de SKIL (los nombres así como el despiece de piezas de la herramienta figuran en [www.skil.com](http://www.skil.com))

## AMBIENTE

- **No deseche las herramientas eléctricas, los accesorios y embalajes junto con los residuos domésticos** (sólo para países de la Unión Europea)
  - de conformidad con la Directiva Europea 2012/19/CE sobre residuos de aparatos eléctricos y electrónicos y su aplicación de acuerdo con la legislación nacional, las herramientas eléctricas cuya vida útil haya llegado a su fin se deberán recoger por separado y trasladar a una planta de reciclaje que cumpla con las exigencias ecológicas
  - símbolo <sup>(4)</sup> llamará su atención en caso de necesidad de tirarlas

## RUIDOS / VIBRACIONES

- Medido según EN 60745 el nivel de la presión acústica de esta herramienta se eleva a 91,0 dB(A) y el nivel de la potencia acústica a 102,0 dB(A) (desviación estándar: 3 dB), y la vibración a \* m/s<sup>2</sup> (suma vectorial de tres direcciones; incertidumbre K = 1,5 m/s<sup>2</sup>)
  - \* al taladrar con martillo en hormigón 12,3 m/s<sup>2</sup>
  - \* al cincelar 10,9 m/s<sup>2</sup>
- El nivel de emisión de vibraciones ha sido medido según una prueba estándar proporcionada en EN 60745; puede utilizarse para comparar una herramienta con otra y como valoración preliminar de la exposición a las vibraciones al utilizar la herramienta con las aplicaciones mencionadas
  - al utilizarla para distintas aplicaciones o con accesorios diferentes o con un mantenimiento deficiente, podría **augmentar** de forma notable el nivel de exposición
  - en las ocasiones en que se apaga la herramienta o cuando está funcionando pero no está realizando ningún trabajo, se podría **reducir** el nivel de exposición de forma importante
- ! protéjase contra los efectos de la vibración realizando el mantenimiento de la herramienta y sus accesorios, manteniendo sus manos calientes y organizando sus patrones de trabajo**



## Martelo perfurador

1763

### INTRODUÇÃO

- Esta ferramenta foi concebida para a perfuração com martelo em betão, tijolo e pedra assim como para trabalhos ligeiros de cinzelamento; para furar em madeira, metal e plástico, assim como para aparafusar, devem utilizar-se acessórios específicos
- O sistema de martelo nesta ferramenta ultrapassa qualquer berbequim de percussão tradicional quando perfura em betão
- Esta ferramenta não se destina a utilização profissional
- Esta ferramenta está também desenhada para uso em conjunto com todos os acessórios SDS+ estandartes
- Leia e guarde este manual de instruções (2)

### DADOS TÉCNICOS (1)

- \*) Força de impacto individual conforme EPTA-Procedure 05/2009

### ELEMENTOS DA FERRAMENTA (5)

- A Interruptor para ligar/desligar e regulação da velocidade
- B Roda para controle da velocidade máxima
- C Botão de fixação do interruptor
- D Patilha para inverter o sentido da rotação
- E Comutador para seleccionar o modo de funcionamento
- F Botão de desbloqueio
- G Casquilho de bloqueio
- H Adaptador + bucha de 13 mm
- J Punho auxiliar
- K Aberturas de ventilação
- L Regulação de profundidade

### SEGURANÇA

#### INDICAÇÕES GERAIS DE SEGURANÇA PARA FERRAMENTAS ELÉTRICAS

**⚠ ATENÇÃO** Devem ser lidas todas as indicações de segurança, instruções, ilustrações e especificações desta ferramenta eléctrica. O desrespeito das instruções apresentadas abaixo pode causar choque elétrico, incêndio e/ou graves lesões.

**Guarde bem todas as advertências e instruções para futura referência.**

O termo "ferramenta eléctrica" utilizado a seguir nas indicações de advertência, refere-se a ferramentas eléctricas operadas com corrente de rede (com cabo de rede) e a ferramentas eléctricas operadas com acumulador (sem cabo de rede).

#### 1) SEGURANÇA DA ÁREA DE TRABALHO

- a) **Mantenha a sua área de trabalho limpa e arrumada.** Desordem ou áreas de trabalho com fraca iluminação podem causar acidentes.

- b) **Não trabalhar com a ferramenta eléctrica em áreas com risco de explosão, nas quais se encontrem líquidos, gases ou pós inflamáveis.** Ferramentas eléctricas produzem faíscas que podem provocar a ignição de pó e vapores.
- c) **Mantenha crianças e outras pessoas afastadas da ferramenta eléctrica durante o trabalho com a ferramenta.** Distrações podem causar a falta de controle sobre o aparelho.

#### 2) SEGURANÇA ELÉTRICA

- a) **A ficha da ferramentas eléctricas devem caber na tomada. A ficha não deve ser modificada de modo algum. Não utilize quaisquer fichas de adaptação junto com ferramentas eléctricas ligadas à terra.** Fichas sem modificações e tomadas adequadas reduzem o risco de choques elétricos.
- b) **Evite que o corpo entre em contacto com superfícies ligadas à terra, como por exemplo tubos, radiadores, fogões e geladeiras.** Há um risco elevado de choques elétricos, caso o corpo for ligado à terra.
- c) **A ferramenta eléctrica não deve ser exposta à chuva nem humidade.** A penetração de água na ferramenta eléctrica aumenta o risco de choques elétricos.
- d) **O cabo do aparelho não deve ser utilizado para o transporte, para pendurar o aparelho, nem para puxar a ficha da tomada. Mantenha o cabo afastado de calor, óleo, cantos afiados ou partes em movimento do aparelho.** Cabos danificados ou torcidos aumentam o risco de choques elétricos.
- e) **Ao trabalhar com a ferramenta eléctrica ao ar livre, use um cabo de extensão apropriado para áreas externas.** O uso de um cabo apropriado para áreas externas reduz o risco de choques elétricos.
- f) **Se não for possível evitar o funcionamento da ferramenta eléctrica em áreas húmidas, deverá ser utilizado uma disjuntor de corrente de avaria.** A utilização de um disjuntor de corrente de avaria reduz o risco de um choque elétrico.

#### 3) SEGURANÇA DE PESSOAS

- a) **Esteja alerta, observe o que está a fazer, e tenha prudência ao trabalhar com a ferramenta eléctrica. Não use a ferramenta eléctrica se estiver fatigado ou sob a influência de drogas, álcool ou medicamentos.** Um momento de falta de atenção durante a operação da ferramenta eléctrica pode causar graves lesões.
- b) **Utilizar equipamento de protecção pessoal e sempre óculos de protecção.** A utilização de equipamento de protecção pessoal, como máscara de protecção contra pó, sapatos de segurança antiderrapantes, capacete de segurança ou protecção auricular, de acordo com o tipo e aplicação da ferramenta eléctrica, reduz o risco de lesões.
- c) **Evitar uma colocação em funcionamento involuntária. Assegure se de que a ferramenta eléctrica esteja desligada, antes de conectá-la à alimentação de rede e/ou ao acumulador, antes de levantá-la ou de transportá-la.** Se tiver o dedo no interruptor ao transportar a ferramenta eléctrica ou se o

aparelho for conectado à alimentação de rede enquanto estiver ligado, poderão ocorrer acidentes.

- d) **Remover chaves de ajustes ou chaves de fenda, antes de ligar a ferramenta eléctrica.** Uma chave de fenda ou chave de ajuste que se encontre numa parte móvel do aparelho, pode levar a lesões.
- e) **Não se sobrestime. Mantenha uma posição firme e mantenha sempre o equilíbrio.** Desta forma poderá ser mais fácil controlar o aparelho em situações inesperadas.
- f) **Use roupa apropriada. Não use roupa larga ou jóias. Mantenha os cabelos e roupas afastados de partes em movimento.** Roupas largas, jóias ou cabelos longos podem ser agarradas por partes em movimento.
- g) **Se for prevista a montagem de dispositivos de aspiração de pó e de dispositivos de recolha, assegure-se de que estão conectados e que sejam utilizados de forma correcta.** A utilização de uma aspiração de pó pode reduzir o perigo devido ao pó.
- h) **Não deixe que a familiaridade resultante de uma utilização frequente de ferramentas permita que você se torne complacente e ignore os princípios de segurança da ferramenta.** Uma ação descuidada pode causar ferimentos graves numa fração de segundo.

#### 4) USO E TRATAMENTO DE FERRAMENTAS ELÉTRICAS

- a) **Não sobrecarregue a ferramenta eléctrica. Use para o seu trabalho a ferramenta eléctrica correcta.** A ferramenta correcta realizará o trabalho de forma melhor e mais segura dentro da faixa de potência indicada.
- b) **Não utilize a ferramenta eléctrica se o interruptor não puder ser ligado nem desligado.** Qualquer ferramenta eléctrica que não possa ser controlada através do interruptor de ligar-desligar, é perigosa e deve ser reparada.
- c) **Puxar a ficha da tomada e/ou remover o acumulador, se amovível, antes de executar ajustes na ferramenta, de substituir acessórios ou de guardar a ferramenta.** Esta medida de segurança evita que a ferramenta eléctrica seja ligada acidentalmente.
- d) **Guarde ferramentas eléctricas que não estiverem sendo utilizadas, for a do alcance de crianças. Não permita que o aparelho seja utilizado por pessoas não familiarizadas com o mesmo ou que não tenham lido estas instruções.** Ferramentas eléctricas são perigosas nas mãos de pessoas sem treinamento.
- e) **Trate a ferramenta eléctrica e os acessórios com cuidado. Verifique se as partes móveis do aparelho funcionam perfeitamente e não emperram, se há peças quebradas ou danificadas, que possam influenciar o funcionamento do aparelho. Peças danificadas devem ser reparadas antes da utilização do aparelho.** Muitos acidentes tem como causa uma manutenção insuficiente das ferramentas eléctricas.
- f) **Mantenha as ferramentas de corte sempre afiadas e limpas.** Ferramentas de cortes devidamente tratadas, com cantos afiados travam com menos frequência e podem ser controladas com maior facilidade.
- g) **Use a ferramenta eléctrica, os acessórios os bits da ferramenta etc., de acordo com estas instruções. Considere também as condições de trabalho e o**

**trabalho a ser efectuado.** A utilização da ferramenta eléctrica para outros fins que os previstos, pode resultar em situações perigosas.

- h) **Mantenha os punhos e as superfícies de agarrar secas, limpas e livres de óleo e massa consistente.** Punhos e superfícies de agarrar escorregadias não permitem o manuseio e controle seguros da ferramenta em situações inesperadas.

#### 5) SERVIÇO

- a) **A sua ferramenta eléctrica só deve ser reparada por pessoal qualificado e só devem ser colocadas peças sobressalentes originais.** Desta forma é assegurada a segurança da ferramenta eléctrica.

#### INSTRUÇÕES DE SEGURANÇA PARA MARTELOS

##### GENERAL

- Certifique-se sempre de que a tensão de alimentação está de acordo com a tensão indicada na placa de identificação da ferramenta (ferramentas com a indicação de 230V ou 240V também podem ser ligadas a uma fonte de 220V)
- Esta ferramenta não deve ser utilizada por pessoas menores de 16 anos
- **Não processar material que contenha asbesto** (asbesto é considerado como sendo cancerígeno)
- Não utilizar ferramenta caso o fio esteja danificado; mandando-o substituir por pessoal qualificado
- **Desligue sempre a ficha da tomada antes de proceder a qualquer ajustamento ou troca de acessório**

##### ACESSÓRIOS

- A SKIL só pode garantir um funcionamento perfeito da ferramenta, quando utilizada com os acessórios originais
- Utilize apenas acessórios com um número de rotação admissível no mínimo tão alto como o mais alto número de rotação em vazio da ferramenta

##### ANTES DA UTILIZAÇÃO

- Utilize extensões completamente desenroladas e seguras, com uma capacidade de 16 Amp
- Evite danificar a ferramenta em superfícies com pregos ou parafusos; remova-os antes de começar a trabalhar
- **Fixe a peça de trabalho** (uma peça de trabalho fixa com dispositivos de fixação ou num torno fica melhor fixa do que manualmente)
- **Utilizar detectores apropriados para detectar tubos e cabos de alimentação escondidos, ou consulte a firma de alimentação local** (o contacto com um cabo eléctrico pode levar a incêndio e choque eléctrico; a danificação de um cano de gás pode levar à explosão; a penetração de uma tubulação de água provoca danos materiais ou pode provocar um choque eléctrico)
- O pó do material, como tinta com chumbo, algumas espécies de madeira, minerais e metais, pode ser prejudicial (contacto ou inalação do pó pode provocar reacções alérgicas e/ou doenças respiratórias ao operador ou às pessoas presentes); **use máscara respiratória e trabalhe com um dispositivo de extracção de pó quando ligado a**
- Determinados tipos de pó são classificados como substâncias cancerígenas (como pó de carvalho e faia), em especial, juntamente com aditivos para acondicionamento da madeira; **use máscara**

## respiratória e trabalhe com um dispositivo de extração de pó quando ligado a

- Siga o regulamento nacional quanto a extração de pó, em função dos materiais que vão ser utilizados

### DURANTE A UTILIZAÇÃO

- **Use protecção auricular** (ruídos podem provocar a surdez)
- **Utilize os punhos adicionais fornecidos com a ferramenta** (a perda de controle pode provocar lesões)
- **Segurar a ferramenta eléctrica pelas superfícies de punho isoladas ao executar trabalhos durante os quais o acessório possa atingir cabos eléctricos escondidos ou o próprio cabo de rede** (o contacto com um cabo sob tensão também pode colocar sob tensão as peças metálicas da ferramenta e levar a um choque eléctrico)
- Mantenha sempre o fio afastado das peças rotativas da ferramenta
- Em caso de anomalias eléctricas ou mecânicas, desligue imediatamente a ferramenta e tire a ficha da tomada
- Caso o fio for danificado ou cortado durante o trabalho, não toque no fio, mas tire imediatamente a ficha da tomada
- Se a broca bloquear repentinamente (provocando uma reacção brusca e perigosa), desligue imediatamente a ferramenta
- Tenha especial atenção com eventuais contra-golpes que possam ocorrer se o acessório bloquear (especialmente quando perfurar metais); **utilize sempre o punho lateral J** <sup>(5)</sup> e mantenha uma posição firme

### APÓS A UTILIZAÇÃO

- Quando guardar a ferramenta, deverá certificar-se que o motor esta devidamente parado assim como todas as peças rotativas

### EXPLICAÇÃO DOS SÍMBOLOS DA FERRAMENTA

- ② Leia o manual de instruções antes de utilizar o equipamento
- ③ Isolamento duplo (nenhum fio de terra necessário)
- ④ Não deite a ferramenta no lixo doméstico

## MANUSEAMENTO

- Ligar/desligar <sup>(6)</sup>
- Fixação do interruptor para utilização contínua <sup>(7)</sup>
- Regulação da velocidade para arranque suave <sup>(8)</sup>
- Controle da velocidade máxima <sup>(9)</sup>
- Com a roda B <sup>(5)</sup> pode regular-se gradualmente a velocidade máxima do mínimo até ao máximo
- Inversão do sentido da rotação <sup>(10)</sup>
  - quando não forem correctamente reguladas as posições esquerda/direita, o interruptor A não será accionado

### ! inverta o computador do sentido de rotação apenas quando a ferramenta desligada

- Selecção do modo de funcionamento <sup>(11)</sup>
  - prima o botão F para desbloquear o interruptor E
  - rode o interruptor E para o modo de funcionamento pretendido até ouvir um estalido

### ! só comece a trabalhar quando o interruptor E estiver bloqueado

- 1 = perfuração normal/aparafusamento
- 2 = perfuração com percussão
- 3 = cinzelamento com cinzel rotativo
- 4 = cinzelamento com cinzel fixo

### ! seleccione o modo de funcionamento apenas com a ferramenta desligada e a ficha fora da tomada

- o mecanismo do martelo activa-se por uma pequena pressão sobre a ferramenta, quando a broca estiver em contacto com a peça a trabalhar
- serão conseguidos melhores resultados do perfuração com martelo fazendo uma pequena pressão sobre a ferramenta; a capacidade de perfuração não irá melhorar se aplicar uma maior pressão sobre a ferramenta
- Cinzelamento com cinzel rotativo <sup>(12)</sup>
  - ! **desligue a ferramenta e retire a ficha da tomada**
  - seleccione o modo de cinzelamento “rotativo”
- Cinzelamento com cinzel fixo <sup>(13)</sup>
  - ! **desligue a ferramenta e retire a ficha da tomada**
  - seleccione o modo de cinzelamento “rotativo”
  - coloque o cinzel na posição desejada
  - seleccione o modo de cinzelamento “fixo”
- Substituição de pontas <sup>(14)</sup>
  - ! **antes de colocar o acessório SDS+ é necessário limpá-lo e lubrificá-lo levemente**
  - puxar para trás o casquilho de bloqueio G e insira o acessório na bucha SDS+ enquanto o roda e empurra até engatar; o acessório fica automaticamente travado
  - puxar o acessório para verificar se está bem travado
  - retirar o acessório puxando para trás o casquilho de bloqueio G
  - ! **o acessório SDS+ tem de ser livremente móvel por que assim surge durante a rotação em vazio um desvio na rotação; porém o acessório automaticamente centra durante a perfuração sem haver quaisquer consequências sobre a precisão de perfuração**
  - ! **não utilize pontas/cinzéis com encabadouros danificados**

Para furar em madeira, metal e plástico, assim como para aparafusar utilizar o adaptador H <sup>(15)</sup>

- antes de colocar o adaptador é necessário limpá-lo e lubrificá-lo levemente
- puxar para trás o casquilho de bloqueio G e insira o adaptador na bucha SDS+ enquanto o roda e empurra até engatar; o adaptador fica automaticamente travado
- puxar o adaptador para verificar se está bem travado
- coloque o interruptor E <sup>(5)</sup> na função de perfuração normal (**accionar apenas com a ferramenta desligada e a ficha fora da tomada**)
- Embraiagem de segurança
- Em caso de bloqueio do acessório, o accionamento do veio será interrompido (provocando um som rouco)
  - desligar imediatamente a ferramenta
  - retirar o acessório bloqueado
  - ligue a ferramenta novamente
- Regulação da profundidade de perfuração <sup>(16)</sup>
- Segurar e guiar a ferramenta <sup>(17)</sup>
  - ! **durante o trabalho, segure sempre a ferramenta na(s) área(s) de fixação cinzenta(s)**
  - **utilize sempre o punho lateral J** (pode ser ajustado conforme ilustrado)
  - mantenha as aberturas de ventilação destapadas
  - não exerça demasiada pressão na ferramenta; deixe a ferramenta trabalhar espontaneamente

## CONSELHOS DE APLICAÇÃO

- Utilize as pontas apropriadas <sup>(18)</sup>  
! **utilize apenas pontas/cinzéis com pontas afiadas**
- Quando perfurar metais ferrosos
  - faça primeiro um pequeno furo se necessitar abrir um furo maior
  - lubrifique frequentemente a broca com óleo adequado
- Quando apertar um parafuso num rebordo de madeira, ou perto dele, deverá primeiro perfurar, a fim de evitar que a madeira estale
- Perfuração anti estilhaço em madeira <sup>(19)</sup>
- Perfuração sem pó em paredes <sup>(20)</sup>
- Perfuração sem pó em tectos <sup>(21)</sup>
- Perfuração em cerâmica sem derrapagens <sup>(22)</sup>
- Para mais sugestões consulte [www.skil.com](http://www.skil.com)

## MANUTENÇÃO / SERVIÇO

- Esta ferramenta não se destina a utilização profissional
- Mantenha a ferramenta e o fio sempre limpos (especialmente as ranhuras de respiração K <sup>(5)</sup>)  
! **desligar a ferramenta da fonte de corrente antes de limpar**
- Se a ferramenta falhar apesar de cuidadosos processos de fabricação e de teste, a reparação deverá ser executada por uma oficina de serviço autorizada para ferramentas eléctricas SKIL
  - envie a ferramenta **sem desmontar**, juntamente com a prova de compra, para o seu revendedor ou para o centro de assistência SKIL mais próximo (os endereços assim como a mapa de peças da ferramenta estão mencionados no [www.skil.com](http://www.skil.com))

## AMBIENTE

- **Não deite ferramentas eléctricas, acessórios e embalagem no lixo doméstico** (apenas para países da UE)
  - de acordo com a directiva europeia 2012/19/CE sobre ferramentas eléctricas e electrónicas usadas e a transposição para as leis nacionais, as ferramentas eléctricas usadas devem ser recolhidas em separado e encaminhadas a uma instalação de reciclagem dos materiais ecológica
  - símbolo <sup>(4)</sup> lhe avisará em caso de necessidade de arranja-las

## RUÍDO / VIBRAÇÃO

- Medido segundo EN 60745 o nível de pressão acústica desta ferramenta é 91,0 dB(A) e o nível de potência acústica 102,0 dB(A) (espaço de erro: 3 dB), e a vibração \* m/s<sup>2</sup> (soma de vectores de três direcções; incerteza K = 1,5 m/s<sup>2</sup>)
  - \* ao perfurar com martelo em betão 12,3 m/s<sup>2</sup>
  - \* ao cincelar 10,9 m/s<sup>2</sup>
- O nível de emissão de vibrações foi medido de acordo com um teste normalizado fornecido na EN 60745; pode ser utilizado para comparar uma ferramenta com outra e como uma avaliação preliminar de exposição à vibração quando utilizar a ferramenta para as aplicações mencionadas

- utilizar a ferramenta para diferentes aplicações ou com acessórios diferentes ou mantidos deficientemente, pode **umentar** significativamente o nível de exposição
- o número de vezes que a ferramenta é desligada ou quando estiver a trabalhar sem fazer nada, pode **reduzir** significativamente o nível de exposição
- ! **proteja-se contra os efeitos da vibração, mantendo a ferramenta e os acessórios, mantendo as mãos quentes e organizando os padrões de trabalho**



## Martello perforatore

1763

## INTRODUZIONE

- L'utensile è idoneo così per la foratura con meccanismo battente pneumatico nel calcestruzzo, nei laterizi e nella pietra come per lavori leggeri di scalpellatura; per forare nel legno, metallo e materie plastiche e per avvitare è necessario applicare un accessorio specifico
- Il meccanismo battente pneumatico di quest'utensile supera qualsiasi altro trapano a percussione nella perforazione del calcestruzzo
- Questo utensile non è inteso per un uso professionale
- Quest'utensile è progettato per l'uso in combinazione con tutti gli accessori SDS+
- Leggete e conservate questo manuale di istruzione <sup>(2)</sup>

## DATI TECNICI <sup>(1)</sup>

\* ) Forza colpo singolo corrispondente alla procedura EPTA 05/2009

## ELEMENTI UTENSILE <sup>(5)</sup>

- A** Interruttore di accensione/spegnimento e regolazione della velocità
- B** Rotella di controllo della velocità massima
- C** Pulsante di blocco dell'interruttore
- D** Leva per l'inversione del senso di rotazione
- E** Commutatore per la selezione della modalità di funzionamento
- F** Pulsante di sblocco
- G** Bussola di bloccaggio
- H** Adattatore + mandrino da 13 mm
- J** Impugnatura ausiliaria
- K** Feritoie di ventilazione
- L** Asta di profondità

# SICUREZZA

## AVVERTENZE GENERALI DI PERICOLO PER ELETTROUTENSILI

**AVVERTENZA** Leggere tutte le avvertenze di pericolo, le istruzioni operative, le figure e le specifiche accluse al presente elettROUTENSILE. Il mancato rispetto di tutte le istruzioni sottoelencate potrà comportare il pericolo di scosse elettriche, incendi e/o gravi lesioni.

**Conservare tutte le avvertenze di pericolo e le istruzioni operative per ogni esigenza futura.**

Il termine "elettROUTENSILE" utilizzato nelle avvertenze di pericolo si riferisce ad elettROUTENSILI alimentati dalla rete (con linea di allacciamento) ed ad elettROUTENSILI alimentati a batteria (senza linea di allacciamento).

### 1) SICUREZZA DELLA POSTAZIONE DI LAVORO

- Mantenere pulito ed ordinato il posto di lavoro.** Il disordine o le zone di lavoro non illuminate possono essere fonte di incidenti.
- Evitare d'impiegare l'elettROUTENSILE in ambienti soggetti al rischio di esplosioni nei quali si trovino liquidi, gas o polveri infiammabili.** Gli elettROUTENSILI producono scintille che possono far infiammare la polvere o i gas.
- Mantenere lontani i bambini ed altre persone durante l'impiego dell'elettROUTENSILE.** Eventuali distrazioni potranno comportare la perdita del controllo sull'elettROUTENSILE.

### 2) SICUREZZA ELETTRICA

- La spina per la presa di corrente dovrà essere adatta alla presa. Evitare assolutamente di apportare modifiche alla spina. Non impiegare spine adattatrici assieme ad elettROUTENSILI con collegamento a terra.** Le spine non modificate e le prese adatte allo scopo riducono il rischio di scosse elettriche.
- Evitare il contatto fisico con superfici collegate a terra, come tubi, riscaldamenti, cucine elettriche e frigoriferi.** Sussiste un maggior rischio di scosse elettriche nel momento in cui il corpo è messo a massa.
- Custodire l'elettROUTENSILE al riparo dalla pioggia o dall'umidità.** L'eventuale infiltrazione di acqua in un elettROUTENSILE va ad aumentare il rischio d'insorgenza di scosse elettriche.
- Non usare il cavo per scopi diversi da quelli previsti al fine di trasportare o appendere l'elettROUTENSILE, oppure di togliere la spina dalla presa di corrente. Mantenere l'elettROUTENSILE al riparo da fonti di calore, dall'olio, dagli spigoli o da pezzi in movimento.** I cavi danneggiati o aggrovigliati aumentano il rischio d'insorgenza di scosse elettriche.
- Qualora si voglia usare l'elettROUTENSILE all'aperto, impiegare solo ed esclusivamente cavi di prolunga omologati per l'impiego all'esterno.** L'uso di un cavo di prolunga omologato per l'impiego all'esterno riduce il rischio d'insorgenza di scosse elettriche.
- Qualora non fosse possibile evitare di utilizzare l'elettROUTENSILE in ambiente umido, utilizzare un**

**interruttore di messa a terra.** L'uso di un interruttore di messa a terra riduce il rischio di una scossa elettrica.

### 3) SICUREZZA DELLE PERSONE

- È importante concentrarsi su ciò che si sta facendo e a maneggiare con giudizio l'elettROUTENSILE durante le operazioni di lavoro. Non utilizzare l'elettROUTENSILE in caso di stanchezza o sotto l'effetto di droghe, bevande alcoliche e medicinali.** Un attimo di distrazione durante l'uso dell'elettROUTENSILE potrà causare lesioni gravi.
  - Indossare sempre equipaggiamento protettivo individuale. Usare sempre protezioni per gli occhi.** Se si avrà cura d'indossare equipaggiamento protettivo individuale come la maschera antipolvere, la calzatura antidistruciolevole di sicurezza, il casco protettivo o la protezione dell'udito, a seconda dell'impiego previsto per l'elettROUTENSILE, si potrà ridurre il rischio di ferite.
  - Evitare l'accensione involontaria dell'elettROUTENSILE. Prima di collegarlo alla rete di alimentazione elettrica e/o alla batteria ricaricabile, prima di prenderlo oppure prima di iniziare a trasportarlo, assicurarsi che l'elettROUTENSILE sia spento.** Tenendo il dito sopra l'interruttore mentre si trasporta l'elettROUTENSILE oppure collegandolo all'alimentazione di corrente con l'interruttore inserito, si vengono a creare situazioni pericolose in cui possono verificarsi seri incidenti.
  - Togliere gli attrezzi di regolazione o la chiave inglese prima di accendere l'elettROUTENSILE.** Un elettROUTENSILE o una chiave inglese che si trovino in una parte dell'elettROUTENSILE in rotazione potranno causare lesioni.
  - È importante non sopravvalutarsi. Avere cura di mettersi in posizione sicura e di mantenere l'equilibrio.** In tale maniera sarà possibile controllare meglio l'elettROUTENSILE in situazioni inaspettate.
  - Indossare vestiti adeguati. Evitare di indossare vestiti lenti o gioielli. Tenere capelli e vestiti lontani da parti in movimento.** Vestiti lenti, gioielli o capelli lunghi potranno impigliarsi in pezzi in movimento.
  - Se sussiste la possibilità di montare dispositivi di aspirazione o di captazione della polvere, assicurarsi che gli stessi siano stati installati correttamente e vengano utilizzati senza errori.** L'utilizzo di un'aspirazione polvere può ridurre lo svilupparsi di situazioni pericolose dovute alla polvere.
  - Una volta presa confidenza con gli utensili, evitare di trascurare le norme di sicurezza.** Una mancanza di attenzione può causare gravi lesioni in una frazione di secondo.
- ### 4) MANEGGIO ED IMPIEGO ACCURATO DI ELETTROUTENSILI
- Non sovraccaricare l'elettROUTENSILE. Impiegare l'elettROUTENSILE adatto per sbrigare il lavoro.** Utilizzando l'elettROUTENSILE adatto si potrà lavorare meglio e con maggior sicurezza nell'ambito della gamma di potenza indicata.
  - Non utilizzare elettROUTENSILI con interruttori difettosi.** Un elettROUTENSILE che non si può più accendere o spegnere è pericoloso e dovrà essere riparato.

- c) **Prima di procedere ad operazioni di regolazione sull'elettrotensile, prima di sostituire parti accessorie oppure prima di posare l'elettrotensile al termine di un lavoro, estrarre sempre la spina dalla presa della corrente e/o estrarre la batteria ricaricabile, se rimovibile.** Tale precauzione eviterà che l'elettrotensile possa essere messo in funzione inavvertitamente.
- d) **Custodire gli elettrotensili non utilizzati al di fuori della portata dei bambini. Non fare usare l'elettrotensile a persone che non sono abituate ad usarlo o che non abbiano letto le presenti istruzioni.** Gli elettrotensili sono pericolosi se utilizzati da persone inesperte.
- e) **Eseguire la manutenzione degli elettrotensili e degli accessori. Verificare che le parti mobili dell'elettrotensile funzionino perfettamente e non s'inceppino, che non ci siano pezzi rotti o danneggiati al punto tale da limitare la funzione dell'elettrotensile stesso. Far riparare le parti danneggiate prima d'impiegare l'elettrotensile.** Numerosi incidenti vengono causati da elettrotensili la cui manutenzione è stata effettuata poco accuratamente.
- f) **Mantenere affilati e puliti gli elettrotensili da taglio.** Gli elettrotensili da taglio curati con particolare attenzione e con taglienti affilati s'inceppano meno frequentemente e sono più facili da condurre.
- g) **Utilizzare elettrotensili, accessori, attrezzi, ecc. in conformità con le presenti istruzioni. Osservare le condizioni di lavoro ed il lavoro da eseguirsi durante l'impiego.** L'impiego di elettrotensili per usi diversi da quelli consentiti potrà dar luogo a situazioni di pericolo.
- h) **Mantenere impugnature e superfici di presa asciutte, pulite e prive di olio e grasso.** Impugnature e superfici di presa scivolose non consentono di manipolare e controllare l'utensile in caso di situazioni inaspettate.
- 5) ASSISTENZA**
- a) **Fare riparare l'elettrotensile solo ed esclusivamente da personale specializzato e solo impiegando pezzi di ricambio originali.** In tale maniera potrà essere salvaguardata la sicurezza dell'elettrotensile.

## ISTRUZIONI DI SICUREZZA PER MARTELLI

### NOTE GENERALI

- Controllare che la tensione dell'alimentazione sia la stessa di quella indicata sulla targhetta dell'utensile (gli utensili con l'indicazione di 230V o 240V possono essere collegati anche alla rete di 220V)
- Questo utensile non dev'essere utilizzato da persone di età inferiore ai 16 anni
- **Non lavorare mai materiali contenenti amianto** (l'amianto è ritenuto materiale cancerogeno)
- Non usare l'utensile quando il cavo è danneggiato; farlo sostituire da personale qualificato
- **Staccate sempre la spina dell'utensile prima di effettuare regolazioni o cambiare gli accessori**

## ACCESSORI

- La SKIL garantisce un perfetto funzionamento dell'utensile soltanto se vengono utilizzati accessori originali
- Utilizzate solo accessori il cui numero massimo di giri corrisponda almeno al massimo dei numeri di giri dell'utensile

### PRIMA DELL'USO

- Usare cavi di prolunga completamente srotolati e sicure con una capacità di 16 Amp
- Evitate possibili danneggiamenti da viti e chiodi sporgenti; rimuoverli prima di iniziare la lavorazione
- **Fissare il pezzo da lavorare** (un pezzo in lavorazione rimane bloccato in posizione con maggiore sicurezza se fissato con appositi dispositivi di serraggio o con una morsa e non tenendolo con la mano)
- **Al fine di rilevare possibili linee di alimentazione nascoste, utilizzare adeguate apparecchiature di ricerca oppure rivolgersi alla locale società erogatrice** (un contatto con linee elettriche può provocare lo sviluppo di incendi e di scosse elettriche; danneggiando linee del gas si può creare il pericolo di esplosioni; penetrando una tubazione dell'acqua si provocano seri danni materiali oppure vi è il pericolo di provocare una scossa elettrica)
- Le polveri di materiali come vernici contenenti piombo, alcune specie di legno, minerali e metallo possono essere nocive (il contatto con queste polveri o la loro inalazione possono causare reazioni allergiche e/o disturbi respiratori all'operatore o ad altre persone presenti sul posto); **indossare una maschera protettiva per la polvere e utilizzare un dispositivo per l'estrazione della polvere se è presente una presa di collegamento**
- Alcuni tipi di polvere sono classificati come cancerogeni (quali le polveri di quercia e faggio) specialmente se associate ad additivi per il trattamento del legno; **indossare una maschera protettiva per la polvere e utilizzare un dispositivo per l'estrazione della polvere se è presente una presa di collegamento**
- Rispettare le istruzioni nazionali riguardanti l'estrazione della polvere per i materiali in lavorazione

### DURANTE L'USO

- **Portare cuffie di protezione** (l'effetto del rumore può provocare la perdita dell'udito)
- **Utilizzare le impugnature supplementari fornite insieme all'utensile** (la perdita di controllo sull'utensile può comportare il pericolo di incidenti)
- **Tenere l'elettrotensile per le superfici isolate dell'impugnatura qualora venissero effettuati lavori durante i quali l'accessorio potrebbe venire a contatto con cavi elettrici nascosti oppure con il proprio cavo di rete** (il contatto con un cavo sotto tensione può mettere sotto tensione anche parti metalliche dell'elettrotensile, causando una scossa elettrica)
- Mantenere sempre il cavo distante dalle parti in movimento dell'utensile
- Nel caso di cattivo funzionamento elettrico o meccanico, spegnete subito l'utensile e staccate la spina

- Se durante un'operazione di lavoro viene danneggiato oppure troncato il cavo, non toccare il cavo ma estrarre immediatamente la spina dalla presa
- Se la punta si blocca inaspettatamente (provocando un contraccolpo di reazione), spegnete subito l'utensile
- Attenzione alle forze sviluppate in caso di bloccaggio dell'utensile (specialmente nella foratura del metallo); **utilizzare sempre l'impugnatura ausiliaria J** ⑤ ed assumete una sicura posizione di lavoro

## DOPO L'USO

- Quando riponete l'utensile accertatevi che non ci siano parti in movimento e che il motore sia spento

## SPIEGAZIONE DEI SIMBOLI PRESENTI

### SULL'UTENSILE

- ② Leggere il manuale di istruzioni prima dell'uso
- ③ Doppio isolamento (non è necessario alcun cavo di terra)
- ④ Non gettare l'utensile tra i rifiuti domestici

## USO

- Acceso/spento ⑥
- Blocco dell'interruttore per il funzionamento continuo ⑦
- Regolazione della velocità per un avviamento lento ⑧
- Controllo della velocità massima ⑨
- Con la rotella B ⑤ potete scegliere progressivamente la velocità massima da minima a massima
- Inversione del senso di rotazione ⑩
  - quando la posizione sinistra/destra non è inserita propriamente l'interruttore A non può essere attivato
  - ! invertire il senso di rotazione solo quando l'utensile si è arrestato completamente**
- Selezione della modalità di funzionamento ⑪
  - premete il pulsante F per sbloccare l'interruttore E
  - ruotate l'interruttore E sulla modalità di funzionamento desiderata, finché non scatta in posizione
  - ! accendete l'utensile solo quando l'interruttore E è bloccato**
  - 1 = foratura normale/avvitatura
  - 2 = foratura a percussione
  - 3 = scalpellatura con scalpello girevole
  - 4 = scalpellatura con scalpello fisso
  - ! selezionare la modalità di funzionamento solo quando l'utensile è spento e quando la spina è scollegata**
  - il meccanismo battente pneumatico è attivato applicando una leggera pressione sull'utensile quando la punta è a contatto con il piano di lavoro
  - i migliori risultati di foratura con meccanismo battente pneumatico si ottengono solo applicando una leggera pressione sull'utensile; la prestazione di perforazione non migliorerà applicando più pressione sull'utensile
- Scalpellatura con scalpello girevole ⑫
  - ! spegnete l'utensile e togliete la spina dalla presa di corrente**
  - selezionare la modalità della scalpellatura con "rotazione"
- Scalpellatura con scalpello fisso ⑬
  - ! spegnete l'utensile e togliete la spina dalla presa di corrente**
  - selezionare la modalità della scalpellatura con "rotazione"
  - posizionare lo scalpello nel punto desiderato
  - selezionare la modalità della scalpellatura "fissa"

- Cambio delle punte ⑭
  - ! prima dell'impiego pulire ed ingrassare leggermente l'accessorio SDS+**
  - tirare all'indietro la bussola di bloccaggio G ed inserire l'accessorio nel mandrino SDS+ ruotandolo e spingendolo fino all'innesto; l'accessorio si blocca automaticamente
  - controllare il bloccaggio tirando l'accessorio
  - rimuovere l'accessorio tirando all'indietro la bussola di bloccaggio G
  - ! l'accessorio SDS+ deve essere mobile: si forma così una eccentricità durante il funzionamento a vuoto, che viene annullata automaticamente durante la foratura; questo sistema non ha nessun effetto sulla precisione di foratura**
  - ! non utilizzare punte/scalpelli con il gambo danneggiato**
- Per forare nel legno, metallo e materie plastiche e per avvitare utilizzare il adattatore H ⑮
  - prima dell'impiego pulire ed ingrassare leggermente l'adattatore
  - tirare all'indietro la bussola di bloccaggio G ed inserire l'adattatore nel mandrino SDS+ ruotandolo e spingendolo fino all'innesto; l'adattatore si blocca automaticamente
  - controllare il bloccaggio tirando l'adattatore
  - spostare l'interruttore E ⑤ nel funzionamento di perforazione normale (**azionare solo quando l'utensile è spento e quando la spina è scollegata**)
- Frizione di sicurezza
  - Nel caso l'accessorio si blocchi, viene interrotta la trasmissione all'alberino (provocando un rumore intermittente)
  - spegnere subito l'utensile
  - rimuovere l'accessorio bloccato
  - avviare nuovamente l'utensile
- Regolazione della profondità di perforazione ⑯
- Tenuta e guida dell'utensile ⑰
  - ! durante la lavorazione, impugna l'utensile sempre in corrispondenza della(e) area(e) grigia(e)**
  - utilizzare sempre l'impugnatura ausiliaria J (può venire regolata come illustrato)
  - tenete libere le feritoie di ventilazione
  - non applicate una pressione eccessiva all'utensile; lasciate che sia l'utensile a lavorare per voi

## CONSIGLIO PRATICO

- Usare le punte appropriate ⑱
  - ! usare solo punte/scalpelli affilate**
- Quando le parti da forare sono ferrose
  - preparare un piccolo foro, quando è richiesto un grande foro
  - lubrificare la punta di tanto in tanto con olio
- Quando avvitate una vite in vicinanza dei bordi dell'asse, è preferibile fare un foro precedentemente per evitare le spaccature di legno
- Forature antisceglia nel legno ⑲
- Foratura senza polvere nel muro ⑳
- Foratura senza polvere nel soffitto ㉑
- Foratura di piastrelle senza scivolamento ㉒
- Per altri consigli consultare il sito [www.skil.com](http://www.skil.com)



## MANUTENZIONE / ASSISTENZA

- Questo utensile non è inteso per un uso professionale
- Tenete sempre puliti utensile e cavo (soprattutto le ferite di ventilazione K ⑤)

### ! prima di pulire estrarre la spina dalla presa

- Se nonostante gli accurati procedimenti di produzione e di controllo l'utensile dovesse guastarsi, la riparazione va fatta effettuare da un punto di assistenza autorizzato per gli elettrodomestici SKIL
- inviare l'utensile **non smontato** assieme alle prove di acquisto al rivenditore oppure al più vicino centro assistenza SKIL (l'indirizzo ed il disegno delle parti di ricambio dell'utensile sono riportati su [www.skil.com](http://www.skil.com))

## TUTELA DELL'AMBIENTE

- **Non gettare l'utensile elettrico, gli accessori e l'imballaggio tra i rifiuti domestici** (solo per paesi UE)
- secondo la Direttiva Europea 2012/19/CE sui rifiuti di utensili elettrici ed elettronici e la sua attuazione in conformità alle norme nazionali, gli utensili elettrici esausti devono essere raccolti separatamente, al fine di essere reimpiagati in modo eco-compatibile
- il simbolo ④ vi ricorderà questo fatto quando dovrete eliminarlo

## RUMOROSITÀ / VIBRAZIONE

- Misurato in conformità al EN 60745 il livello di pressione acustica di questo utensile è 91,0 dB(A) ed il livello di potenza acustica 102,0 dB(A) (deviazione standard: 3 dB), e la vibrazione \* m/s<sup>2</sup> (somma dei vettori in tre direzioni; incertezza K = 1,5 m/s<sup>2</sup>)
  - \* nella foratura con meccanismo battente pneumatico nel cemento 12,3 m/s<sup>2</sup>
  - \* nella scalpellatura 10,9 m/s<sup>2</sup>
- Il livello di emissione delle vibrazioni è stato misurato in conformità a un test standardizzato stabilito dalla norma EN 60745; questo valore può essere utilizzato per mettere a confronto un l'utensile con un altro o come valutazione preliminare di esposizione alla vibrazione quando si impiega l'utensile per le applicazioni menzionate
  - se si utilizza l'utensile per applicazioni diverse, oppure con accessori differenti o in scarse condizioni, il livello di esposizione potrebbe **augmentare** notevolmente
  - i momenti in cui l'utensile è spento oppure è in funzione ma non viene effettivamente utilizzato per il lavoro, possono contribuire a **ridurre** il livello di esposizione
- ! **proteggersi dagli effetti della vibrazione effettuando la manutenzione dell'utensile e dei relativi accessori, mantenendo le mani calde e organizzando i metodi di lavoro**

H

## Fúrókalapács

1763

### BEVEZETÉS

- A készülék betonban, téglában és kőzetekben végzett kalapács fúráshoz és kőzetekhez való szolgálatra; fában, fémekben és műanyagokban végzett fúráshoz és csavarozáshoz használjon speciális tartozékokat
- Ezen készülék kalapács rendszere messze felülmúlja a szokásos ütvefúrógépeket betonfúrásnál
- Ez a szerszám nem professzionális használatra készült
- A gép alkalmas valamennyi SDS+ tartozék használatára
- Olvassa el figyelmesen és őrizze meg a használati utasítást ②

### MŰSZAKI ADATOK ①

\* Egyedi ütőerő az EPTA-Procedure 05/2009 szerint

### SZERSZÁMGÉP ELEMEI ⑤

- A Be/Ki kapcsoló és sebességszabályozó
- B A maximális sebesség beállítására szolgáló kerék
- C Kapcsolórögzítógomb
- D A forgásirány változtatására szolgáló kar
- E Üzem mód kapcsoló
- F Kioldó gomb
- G Reteszelő hüvelyt
- H Adapter + 13 mm-es tokmány
- J Oldalfogantyú
- K Szellőzőnyílások
- L Mélységbeállító

## BIZTONSÁG

### ÁLTALÁNOS BIZTONSÁGI ELŐÍRÁSOK AZ ELEKTROMOS KÉZISZERSZÁMOKHOZ

**FIGYELMEZTETÉS** Olvassa el az ehhez a kéziszerszámmal mellékelt összes biztonsági figyelmeztetést, előírást, illusztrációt és specifikációt. Az alábbiakban felsorolt előírások betartásának elmulasztása áramütésekhez, tűzhöz és/vagy súlyos testi sérülésekhez vezethet.

### Őrizze meg a jövőbeli használatra is valamennyi biztonsági előírást és utasítást.

Az alább alkalmazott "elektromos kéziszerszám" fogalom a hálózati elektromos kéziszerszámokat (hálózati csatlakozó kábelrel) és az akkumulátoros elektromos kéziszerszámokat (hálózati csatlakozó kábel nélkül) foglalja magában.

#### 1) MUNKAHELYI BIZTONSÁG

- a) **Tartsa tisztán és tartsa rendben a munkahelyét.**  
Rendetlen munkahelyek vagy megvilágítatlan munkaterületek balesetekhez vezethetnek.
- b) **Ne dolgozzon az elektromos kéziszerszámmal olyan robbanásveszélyes környezetben, ahol éghető folyadékok, gázok vagy porok vannak.** Az elektromos

- kéziszerszámok szikrákat bocsáthatnak ki, amelyek meggyújthatják a port vagy a gőzöket.
- c) **Tartsa távol a gyerekeket és az idegen személyeket a munkahelytől, ha az elektromos kéziszerszámot használja.** Ha elvonják a figyelmét a munkától, könnyen elvesztheti az uralmát a berendezés felett.
- 2) ELEKTROMOS BIZTONSÁGI ELŐÍRÁSOK**
- a) **A készülék csatlakozó dugójának bele kell illeszkednie a dugaszolóaljzatba. A csatlakozó dugót semmilyen módon sem szabad megváltoztatni. Védőföldeléssel ellátott készülékekkel kapcsolatban ne használjon csatlakozó adaptert.** A változtatás nélküli csatlakozó dugók és a megfelelő dugaszoló aljzatok csökkentik az áramütés kockázatát.
- b) **Ne érjen hozzá földelt felületekhez, mint csövekhez, fűtőtestekhez, kályhákhoz és hűtőszekrényekhez.** Az áramütési veszély megnövekszik, ha a teste le van földelve.
- c) **Tartsa távol az elektromos kéziszerszámot az esőtől és a nedvesség hatásaitól.** Ha víz hatol be egy elektromos kéziszerszámba, ez megnöveli az áramütés veszélyét.
- d) **Ne használja a kábelt a rendeltetésétől eltérő célokra, vagyis a szerszámot soha ne hordozza vagy akassza fel a kábelnél fogva, és soha ne húzza ki a hálózati csatlakozó dugót a kábelnél fogva. Tartsa távol a kábelt hőforrásoktól, olajtól, éles élektől, sarkaktól és mozgó gépalkatrészekről.** Egy megrongálódott vagy csomókkal teli kábel megnöveli az áramütés veszélyét.
- e) **Ha egy elektromos kéziszerszámmal a szabad ég alatt dolgozik, csak a szabadban való használatra engedélyezett hosszabbítót használjon.** A szabadban való használatra engedélyezett hosszabbító használat csökkenti az áramütés veszélyét.
- f) **Ha nem lehet elkerülni az elektromos kéziszerszám nedves környezetben való használatát, alkalmazzon egy földzárlat megszakítót.** Egy földzárlat megszakító alkalmazása csökkenti az áramütés kockázatát.
- 3) SZEMÉLYI BIZTONSÁGI ELŐÍRÁSOK**
- a) **Munka közben mindig figyeljen, ügyeljen arra, amit csinál, és meggondoltan dolgozzon az elektromos kéziszerszámmal.** Ha fáradt, ha kábítószerek vagy alkohol hatása alatt áll, vagy orvosságokat vett be, ne használja a berendezést. A berendezéssel végzett munka közben már egy pillanatnyi figyelmen kívül hagyás komoly sérülésekhez vezethet.
- b) **Viseljen személyi védőfelszerelést és mindig viseljen védőszemüveget.** A személyi védőfelszerelések, mint porvédő álarc, csúszásbiztos védőcipő, védősapka és fülvédő használat a elektromos kéziszerszám használata jellegének megfelelően csökkenti a személyes sérülések kockázatát.
- c) **Kerülje el a készülék akaratlan üzembe helyezését. Győződjön meg arról, hogy az elektromos kéziszerszám ki van kapcsolva, mielőtt bedugná a csatlakozó dugót a dugaszolóaljzatba, csatlakoztatná az akkumulátor-csomagot, és mielőtt felvenné és vinni kezdené az elektromos kéziszerszámot.** Ha az elektromos kéziszerszám felemelése közben az újját a kapcsolón tartja, vagy ha a készüléket bekapcsolt állapotban csatlakoztatja az áramforráshoz, ez balesetekhez vezethet.
- d) **Ne használja az elektromos kéziszerszámot bekapcsolása előtt okvetlenül távolítsa el a beállító szerszámokat vagy csavarkulcsokat.** Az elektromos kéziszerszám forgó részeiben felejtett beállító szerszám vagy csavarkulcs sérüléseket okozhat.
- e) **Ne becsülje túl önmagát. Kerülje el a normálistól eltérő testtartást, ügyeljen arra, hogy mindig biztosan álljon és az egyensúlyát megtartsa.** Így az elektromos kéziszerszám felett váratlan helyzetekben is jobban tud uralkodni.
- f) **Viseljen megfelelő ruhát. Ne viseljen bő ruhát vagy ékszereket. Tartsa távol a haját és a ruháját a mozgó részekről.** A bő ruhát, az ékszereket és a hosszú hajat a mozgó alkatrészek magukkal ránthatjaák.
- g) **Ha az elektromos kéziszerszámra fel lehet szerelni a por elszívásához és összegyűjtéséhez szükséges berendezéseket, ellenőrizze, hogy azok megfelelő módon hozzá vannak kapcsolva a készülékhez és rendeltetésüknek megfelelően működnek.** A porgyűjtő berendezések használata csökkenti a munka során keletkező por veszélyes hatását.
- h) **Ne hagyja, hogy az elektromos kéziszerszám gyakori használata során szerzett tapasztalatok olyan önelégültté tegyék, hogy figyelmen kívül hagyja az idevonatkozó biztonsági alapelveket.** Egy gondatlan művelet egy másodperc törtrésze alatt súlyos sérüléseket okozhat.
- 4) AZ ELEKTROMOS KÉZISZERSZÁMOK GONDOS KEZELÉSE ÉS HASZNÁLATA**
- a) **Ne terhelje túl az elektromos kéziszerszámot. A munkájához csak az arra szolgáló elektromos kéziszerszámmal használja.** Egy alkalmas elektromos kéziszerszámmal a megadott teljesítménytartományon belül jobban és biztonságosabban lehet dolgozni.
- b) **Ne használjon olyan elektromos kéziszerszámot, amelynek a kapcsolója elromlott.** Egy olyan elektromos kéziszerszám, amelyet nem lehet sem be-, sem kikapcsolni, veszélyes és meg kell javíttatni.
- c) **Húzza ki a csatlakozó dugót a dugaszolóaljzatból és/vagy távolítsa el az akkumulátor-csomagot (ha az leválasztható) az elektromos kéziszerszámtól, mielőtt az elektromos kéziszerszámot beállítási munkákat végez, tartozékokat cserél vagy a szerszámot tárolásra elteszi.** Ez az elővigyázatossági intézkedés meggátolja a szerszám akaratlan üzembe helyezését.
- d) **A használaton kívüli elektromos kéziszerszámokat olyan helyen tárolja, ahol azokhoz gyerekek ne férhess nek hozzá. Ne hagyja, hogy olyan személyek használják az elektromos kéziszerszámot, akik nem ismerik a szerszámot, vagy nem olvasták el ezt az útmutatót.** Az elektromos kéziszerszámok veszélyesek, ha azokat gyakorlatlan személyek használják.
- e) **Az elektromos kéziszerszámot és tartozékait gondosan tartsa karban. Ellenőrizze, hogy a mozgó alkatrészek kifogástalanul működnek-e, nincsenek-e beszorulva, és nincsenek-e eltörve vagy megrongálódva olyan alkatrészek, amelyek hatással**

lehetnek az elektromos kéziszerszám működésére.

**A megrongálódott részeket a készülék használata előtt javíttassa meg.** Sok olyan baleset történik, amelyet az elektromos kéziszerszám nem kielégítő karbantartására lehet visszavezetni.

- f) **Tartsa tisztán és éles állapotban a vágószerszámokat.** Az éles vágóélekkel rendelkező és gondosan ápolott vágószerszámok ritkábban ékelődnek be és azokat könnyebben lehet vezetni és irányítani.
- g) **Az elektromos kéziszerszámokat, tartozékokat, betétszerszámokat stb. csak ezen előírásoknak használja. Vegye figyelembe a munkafeltételeket és a kivitelezendő munka sajátosságait.** Az elektromos kéziszerszám eredeti rendeltetésétől eltérő célokra való alkalmazása veszélyes helyzetekhez vezethet.
- h) **Tartsa szárazon, tisztán és olaj- és zsírmentes állapotban a fogantyúkat és markoló felületeket.** A csúsztós fogantyúk és markoló felületek váratlan helyzetekben lehetetlenné teszik az elektromos kéziszerszám biztonságos kezelését és irányítását.

## 5) SZERVIZ

- a) **Az elektromos kéziszerszámot csak szakképzett személyzet és csak eredeti pótalkatrészek felhasználásával javíthatja.** Ez biztosítja, hogy az elektromos kéziszerszám biztonságos szerszám maradjon.

## BIZTONSÁGI ELŐÍRÁSOK FÚRÓKALAPÁCSHOZ

### ÁLTALÁNOS TUDNIVALÓK

- Mindig ellenőrizze, hogy a hálózati feszültség megegyezik-e a gép adattábláján feltüntetett értékkel (a 230V vagy 240V jelzésű gépek 220V feszültségre is csatlakoztathatók)
- A készüléket csak 16 éven felüli személyek használják
- **Ne munkáljon meg a berendezéssel azbesztes tartalmazó anyagokat** (az azbesztesnek rákkeltő hatása van)
- Soha ne használja a szerszámot ha a kábel sérült; cseréltesse ki szakértő által
- **Mindig húzza ki a dugaszolóaljzatot mielőtt tartozékokat cserélné vagy bármit változtatna a gép beállításán**

### TARTOZÉKOK

- SKL cég kiegészítő eredeti alkatrészek és kiegészítők alkalmazása esetén tudja garantálni a gép problémamentes működését
- Csak olyan tartozékokat használjon, amelyek legmagasabb megengedett fordulatszáma legalább akkora, mint a berendezés legmagasabb üresjárati fordulatszáma

### HASZNÁLAT ELŐTT

- Használjon teljesen letekert és biztonságos hosszabbítókábel, 16 A-es teljesítménnyel
- Ügyeljen arra, hogy a munkadarabban lévő csavar, szög vagy hasonló sérüléseket ne okozhasson; a munka megkezdése előtt eltávolítandó
- **Rögzítse a munkadarabot** (befogókészülékkel vagy satuval befogott munkadarabot sokkal biztonságosabban lehet rögzíteni mint a kézzel tartottat)
- **A rejtett vezeték felkutatásához használjon alkalmas fémkereső készüléket, vagy kérje ki a helyi energiaellátó vállalat tanácsát** (ha egy elektromos vezetékeket a berendezéssel megérint, ez tűzhöz és

áramütéshez vezethet; egy gázvezeték megrongálása robbanást eredményezhet; egy vízvezetékbe való behatolás anyagi károkhöz és áramütéshez vezethet)

- Az anyagból származó por (mint például az ólomot, néhány fafajtát, ásványi anyagokat és fémeket tartalmazó festék) káros lehet (a por érintése vagy belégzése allergiás reakciókat és/vagy légzőszervi betegségeket okozhat a kezelő, illetve a közelben állók esetében); **viseljen pormaszkot és amennyiben csatlakoztatható, dolgozzon porszívó berendezéssel**
- Bizonyos porfajták rákkeltő besorolással rendelkeznek (ilyen például a tölgy- és a bükkfa pora), különösen a fa kondicionálására szolgáló adalékokkal együtt; **viseljen pormaszkot és amennyiben csatlakoztatható, dolgozzon porszívó berendezéssel**
- Kövesse a por kezelésével kapcsolatos helyi előírásokat azon termékekkel kapcsolatban, amellyel dolgozni kíván

### HASZNÁLAT KÖZBEN

- **Viseljen fülvédőt** (ennek elmulasztása esetén a zaj hatása a hallóképesség elvesztéséhez vezethet)
- **Használja a kéziszerszámmal együtt szállított pótfogantyúkat** (ha elveszti az uralmát a berendezés felett, ez sérülésekhez vezethet)
- **Az elektromos kéziszerszámot csak a szigetelt fogantyúfelületeknél fogva tartsa, ha olyan munkát végez, amelynek során a betétszerszám feszültség alatt áll, kivülről nem látható vezetékhez, vagy a készülék saját hálózati csatlakozó kábeljéhez érhet** (ha a berendezés egy feszültség alatt álló vezetékhez ér, az elektromos kéziszerszám fémrészei szintén feszültség alá kerülhetnek és áramütéshez vezethetnek)
- A gép mozgó részétől mindig tartsa távol az elektromos kábelt
- Normálistól eltérő működés valamint szokatlan, idegen hangok esetén a készüléket azonnal kapcsolja ki és a kábelt húzza ki a fali dugaszoló aljzattól
- Ha a kábel munka közben megsérül vagy el van vágva, ne érjen a kábelhoz, hanem azonnal húzza ki a konektorból
- A fúró váratlan (hirtelen, veszélyes reakciót okozó) beszorulása vagy elakadása esetén azonnal kapcsolja ki a gépet
- Soha ne feledkezzen meg arról, hogy a fúró elakadása vagy beszorulása (különösen fémfúrás esetén) mekkora erőhatással jár; **a gépet mindig az oldalfogantyúnál J**  
⑤ fogja és gondoskodjon szilárd támaszról

### A HASZNÁLATOT KÖVETŐEN

- A gépet soha ne hagyja bekapcsolt állapotban, ha már nem dolgozik vele

### A SZERSZÁMON TALÁLHATÓ SZIMBÓLUMOK MAGYARÁZATA

- ② Használat előtt olvassa el a használati utasítást
- ③ Kettős szigetelés (földelővezeték nem szükséges)
- ④ A gépet ne dobja a háztartási szemétkébe

## KEZELÉS

- Be/Ki ⑥
  - Kapcsolórögzítő folyamatos használat esetére ⑦
  - Egyenletes indítást biztosító sebességszabályozó ⑧
  - Maximális sebesség beállítás ⑨
- A B ⑤ kerék segítségével állítható be fokozatmentesen a legnagyobb fordulatszám, a minimumtól a maximumig

- Forgásirány változtatás <sup>10</sup>
  - amennyiben az A be/ki kapcsoló nem kattan tökéletesen a helyére ne kapcsolja be gépét
  - ! **a forgásirány kizárólag a gép teljes leállása után változtatható**

- Üzem mód megválasztása <sup>11</sup>
  - nyomja meg az F gombot az E kapcsoló kioldásához
  - kapcsolja az E kapcsolót a kívánt üzemmódba, amíg az a helyére kattan

! **csak akkor kezdje meg a munkát, ha az E kapcsoló rögzítve van**

1 = normál fűrés/csavarhúzás

2 = ütvefűrés

3 = vésés forgó vésóval

4 = vésés rögzített vésóval

! **az üzemmódot megválasztását csak a gép kikapcsolása és a hálózati csatlakozó legyen kihúzva a konnektorból**

- az kalapács mechanizmus akkor lép működésbe, amikor a fúró a munkadarabbal érintkezik, a gépre gyakorolt enyhe nyomás bekapcsolja az kalapács mechanizmust
- a legjobb kalapácsfűrés eredményt akkor érjük el, ha a gépre enyhe nyomást gyakorolunk; az erőteljesebb nyomás nem javítja a fűrési teljesítményt

- Vésés forgó vésóval <sup>12</sup>

! **kapcsolja ki a gépet és húzza ki a csatlakozódugót**  
- válassza a "forgó" vésési módot

- Vésés rögzített vésóval <sup>13</sup>

! **kapcsolja ki a gépet és húzza ki a csatlakozódugót**  
- válassza a "forgó" vésési módot  
- helyezze a vésót a kívánt helyzetbe  
- válassza a "rögzített" vésési módot

- A szerszámhegyek cseréje <sup>14</sup>

! **az SDS+ tartozékok használat előtt tisztítsuk meg és enyhén zsírozzuk be**

- húzza vissza a reteszelő hüvelyt G és illessze be a tartozékokat az SDS+ tokmányba s eközben forgassa és nyomja, amíg a helyére nem kerül; a tartozék automatikusan rögzül

- a tartozékokat húzzuk meg, így ellenőrizzük a megfelelő reteszeléset

- a reteszelő hüvelyt G visszahúzása után a tartozékok kivéhető

! **az SDS+ tartozéknak szabadon kell mozognia, ezáltal amikor a gép üresjáratban van, a tartozék forgás közben kitér, fűrésnél azonban automatikusan középre áll; ez nem befolyásolja a furat pontosságát**

! **soha ne használjon sérült befogóvégű szerszámhegyet/vésőt**

Használjon a H <sup>15</sup> adapterrel fában, fémekben és műanyagokban végzett fűrésrához valamint csavarozáshoz

- az adaptert használat előtt tisztítsuk meg és enyhén zsírozzuk be
- húzza vissza a reteszelő hüvelyt G és illessze be az adaptert az SDS+ tokmányba s eközben forgassa és nyomja, amíg a helyére nem kerül; az adapter automatikusan rögzül
- az adaptert húzzuk meg, így ellenőrizzük a megfelelő reteszeléset

- az E <sup>5</sup> kapcsolót normál fűrésrá állítjuk **(csak a gép kikapcsolása és a hálózati csatlakozó legyen kihúzva a konnektorból)**

- Biztonsági tengelykapcsoló  
Ha a tartozék megszorul, a tengely meghajtása megszűnik (kereselő hangot okoz)
  - azonnal kapcsolja ki a gépet
  - a megszorult tartozékokat távolítsa el
  - kapcsolja be újra a gépet
- A furatmélység beállítása <sup>16</sup>
- A gép vezetése és tartása <sup>17</sup>
  - ! **munka közben mindvégig tartsa gépet a szürke színű markolati terület(ek)en**
  - **a gépet mindig az oldalfogantyúnál J fogja** (az ábrán látható módon beállítható)
  - tartsa a szellőzőnyílásokat mindig szabadon
  - ne gyakoroljon túl nagy nyomást a gépre; hagyja, hogy a gép dolgozzon ön helyett

## HASZNÁLAT

- Mindig a megfelelő szerszámhegyet használja <sup>18</sup>
  - ! **ne használjon kopott vagy éleetlen szerszámhegyet/vésőt**
- Fémekben történő fűréskor
  - készítsünk kisméretű előfuratot
  - kenje időnként olajjal a fúróhegyet
- Csavarok faanyag végébe vagy szálirányába történő behajtása előtt készítsen előfuratot
- Forgácsmentes fűrés <sup>19</sup>
- Pormentes fűrés falban <sup>20</sup>
- Pormentes fűrés plafonban <sup>21</sup>
- Csempék/burkolólapok fűrésa megcsúszás nélkül <sup>22</sup>
- A [www.skil.com](http://www.skil.com) címen még több ötletet és javaslatot talál

## KARBANTARTÁS / SZERVIZ

- A szerszám nem professzionális használatra készült
- Mindig tartsa tisztán a gépet és a vezetéket (különös tekintettel a szellőzőnyílásokra K <sup>5</sup>)
  - ! **tisztítás előtt húzza ki a csatlakozódugót**
- Ha a gép a gondos gyártási és ellenőrzési eljárás ellenére egyszer mégis meghibásodna, akkor a javítással csak SKIL elektromos kéziszerszám-műhely ügyfélszolgálatát szabad megbízni
  - küldje az **összeszerelt** gépet a vásárlást bizonyító számlával együtt a kereskedő vagy a legközelebbi SKIL szervizállomás címére (a címlista és a gép szervizdiagramja a [www.skil.com](http://www.skil.com) címen található)

## KÖRNYEZET

- **Az elektromos kéziszerszámokat, tartozékokat és csomagolást ne dobja a háztartási szemétkébe** (csak EU-országok számára)
  - a használt villamos és elektronikai készülékekről szóló 2012/19/EK irányelv és annak a nemzeti jogba való átültetése szerint az elhasznált elektromos kéziszerszámokat külön kell gyűjteni, és környezetbarát módon újra kell hasznosítani
  - erre emlékeztet a <sup>4</sup> jelzés, amennyiben felmerül az intézkedésre való igény

## ZAJ / REZGÉS

- Az EN 60745 alapján végzett mérések szerint ezen készülék hangnyomás szintje 91,0 dB(A) a hangteljesítmény szintje 102,0 dB(A) (normál eltérés: 3 dB), a rezgésszám  $* m/s^2$  (a három irány vektorösszege; szórás  $K = 1,5 m/s^2$ )  
**\* beton kalapácsfúrásakor 12,3  $m/s^2$**   
**\* véséskor 10,9  $m/s^2$**
  - A rezgés-kibocsátási szint mérése az EN 60745 szabványban meghatározott szabványosított teszttel összhangban történt; ez egy eszköznek egy másik eszközzel történő összehasonlítására, illetve a rezgésnek való kitettség előzetes felmérésére használható fel az eszköznek az említett alkalmazásokra történő felhasználása során
    - az eszköznek eltérő alkalmazásokra, vagy eltérő, illetve rosszul karbantartott tartozékokkal történő felhasználása jelentősen **emelheti** a kitettség szintjét
    - az idő, amikor az eszköz ki van kapcsolva, vagy amikor ugyan működik, de ténylegesen nem végez munkát, jelentősen **csökkentheti** a kitettség szintjét
- ! az eszköz és tartozékai karbantartásával, kezének melegen tartásával, és munkavégzésének megszervezésével védje meg magát a rezgések hatásaitól**

CZ

## Vrtací kladivo

1763

### ÚVOD

- Tento nástroj je určen k elektropneumatické vrtání do betonu, zdví a kamene, cihel a lehké dlabací práce; k vrtání do dřeva, kovu a umělé hmoty jakož i k šroubování použijte speciální příslušenství
- Elektropneumatický vrtací systém u tohoto nářadí zdaleka předčí všechny ostatní při vrtání do betonu
- Tento nástroj není určen k profesionálnímu použití
- Tento nářadí umožňuje používání běžného příslušenství SDS+
- Tento návod s pokyny si pečlivě přečtěte a uschovejte ②

### TECHNICKÁ DATA ①

- \* Intenzita jednotlivých úderů podle EPTA-Procedure 05/2009

### SOUČÁSTI NÁSTROJE ⑤

- A Vypínač zapnout/vypnout a regulace rychlosti
- B Kolečko na kontrola maximální rychlosti
- C Tlačítko k zajištění vypínače
- D Páčka na změnu směru otáček
- E Spínač na volbu provozního režimu
- F Odjišťovací tlačítko
- G Zajišťovací objímka
- H Adapter + skřídlo 13 mm
- J Pomocná rukojeť
- K Větrací šterbiny
- L Hloubkový doraz

## BEZPEČNOST

### OBEČNÉ BEZPEČNOSTNÍ POKYNY PRO ELEKTRONÁŘADÍ

**VAROVÁNÍ** Přečtěte si všechny bezpečnostní pokyny, výstrahy, zobrazení a specifikace k tomuto elektronářadí. Nedodržování všech níže uvedených pokynů může mít za následek úraz elektrickým proudem, požár a/nebo těžké poranění.

### Všechny pokyny a výstrahy uchovejte pro budoucí potřebu.

Ve varovných upozorněních použitý pojem "elektronářadí" se vztahuje na elektronářadí provozované na el. síti (se síťovým kabelem) a na elektronářadí provozované na akumulátoru (bez síťového kabelu).

#### 1) BEZPEČNOST PRACOVNÍHO MÍSTA

- Udržujte Vaše pracovní místo čisté a uklizené.**  
Nepořádek nebo neosvětlené pracovní oblasti mohou vést k úrazům.
- Se strojem nepracujte v prostředích ohrožených explozí, kde se nacházejí hořlavé kapaliny, plyny nebo prach.** Elektronářadí vytváří jiskry, které mohou prach nebo páry zapálit.
- Děti a jiné osoby udržujte při použití elektronářadí daleko od Vašeho pracovního místa.** Při rozptýlení můžete ztratit kontrolu nad strojem.

#### 2) ELEKTRICKÁ BEZPEČNOST

- Připojovací zástrčka stroje musí lícovat se zásuvkou. Zástrčka nesmí být žádným způsobem upravena. Společně se stroji s ochranným uzemněním nepoužívejte žádné adaptérové zástrčky.** Neupravené zástrčky a vhodné zásuvky snižují riziko elektrického úderu.
- Zabraňte kontaktu těla s uzemněnými povrchy, jako např. potrubí, topení, sporáky a chladničky.** Je-li Vaše tělo uzemněno, existuje zvýšené riziko elektrického úderu.
- Chraňte stroj před deštěm a vlhkem.** Vniknutí vody do elektrického stroje zvyšuje nebezpečí elektrického úderu.
- Dbejte na účel kabelu, nepoužívejte jej k nošení či zavěšení stroje nebo vytažení zástrčky ze zásuvky. Udržujte kabel daleko od tepla, oleje, ostrých hran nebo pohyblivých dílů stroje.** Poškozené nebo spletené kabely zvyšují riziko elektrického úderu.
- Pokud pracujete s elektronářadím venku, použijte pouze takové prodlužovací kabely, které jsou schváleny i pro venkovní použití.** Použití prodlužovacího kabelu, jež je vhodný pro použití venku, snižuje riziko elektrického úderu.
- Pokud se nelze vyhnout provozu elektronářadí ve vlhkém prostředí, použijte ochranný jistič.** Nasazení ochranného jističe snižuje riziko úderu elektrickým proudem.

#### 3) BEZPEČNOST OSOB

- Buďte pozorní, dávejte pozor na to, co děláte a přistupujte k práci s elektronářadím rozumně. Stroj nepoužívejte pokud jste unavení nebo pod vlivem drog, alkoholu nebo léků.** Moment nepozornosti při použití elektronářadí může vést k vážným poraněním.

- b) **Noste osobní ochranné pomůcky a vždy ochranné brýle.** Nošení osobních ochranných pomůcek jako maska proti prachu, bezpečnostní obuv s protiskluzovou podrážkou, ochranná přilba nebo sluchátka, podle druhu nasazení elektronářadí, snižují riziko poranění.
- c) **Zabraňte neúmyslnému uvedení do provozu. Přesvědčte se, že je elektronářadí vypnuté dříve než jej uchopíte, poneseťe či připojíte na zdroj proudu a/ nebo akumulátor.** Máte-li při nošení elektronářadí prst na spínači nebo pokud stroj připojíte ke zdroji proudu zapnutý, pak to může vést k úrazům.
- d) **Než stroj zapnete, odstraňte seřizovací nástroje nebo šroubovák.** Nástroj nebo klíč, který se nachází v otáčivém dílu stroje, může vést k poranění.
- e) **Nepřeceňujte se. Zajistěte si bezpečný postoj a vždy udržujte rovnováhu.** Tím můžete stroj v neočekávaných situacích lépe kontrolovat.
- f) **Noste vhodný oděv. Nenoste žádný volný oděv nebo šperky. Vlasy a oděv udržujte daleko od pohybujících se dílů.** Volný oděv, šperky nebo dlouhé vlasy mohou být zachyceny pohybujícími se díly.
- g) **Lze-li namontovat odsávací či zachycující přípravky, přesvědčte se, že jsou připojeny a správně použity.** Použití odsávání prachu může snížit ohrožení prachem.
- h) **Dbejte na to, abyste při častém používání nářadí nebyli méně ostražití a nezapomínali na bezpečnostní zásady.** Nedbalé ovládání může způsobit těžké poranění za zlomek sekundy.
- 4) **SVĚDOMITĚ ZACHÁZENÍ A POUŽÍVÁNÍ ELEKTRONÁŘADÍ**
- a) **Stroj nepřetěžujte. Pro svou práci použijte k tomu určený stroj.** S vhodným elektronářadím budete pracovat v dané oblasti výkonu lépe a bezpečněji.
- b) **Nepoužívejte žádné elektronářadí, jehož spínač je vadný.** Elektronářadí, které nelze zapnout či vypnout je nebezpečné a musí se opravit.
- c) **Než provedete seřízení stroje, výměnu dílů příslušenství nebo stroj odložíte, vytáhněte zástrčku ze zásuvky a/nebo odstraňte odpojitelný akumulátor.** Toto preventivní opatření zabrání neúmyslnému zapnutí stroje.
- d) **Uchovávejte nepoužívané elektronářadí mimo dosah dětí. Nenechte stroj používat osobám, které se strojem nejsou seznámeny nebo nečetly tyto pokyny.** Elektronářadí je nebezpečné, je-li používáno nezkušenými osobami.
- e) **Pečujte o elektronářadí a příslušenství svědomitě. Zkontrolujte, zda pohyblivé díly stroje bezvadně fungují a nevzpříčují se, zda díly nejsou zlomené nebo poškozené tak, že je omezena funkce stroje. Poškozené díly nechte před nasazením stroje opravit.** Mnoho úrazů má příčinu ve špatně udržovaném elektronářadí.
- f) **Řezné nástroje udržujte ostré a čisté.** Pečlivě ošetřované řezné nástroje s ostrými řeznými hranami se méně vzpříčují a dají se lehčeji vést.
- g) **Používejte elektronářadí, příslušenství, nasazovací nástroje apod. podle těchto pokynů. Respektujte přitom pracovní podmínky a prováděnou činnost.** Použití elektronářadí pro jiné než určující použití může vést k nebezpečným situacím.

- h) **Udržujte rukojeti a úchytné plochy suché, čisté a bez oleje amaziva.** Kluzké rukojeti a úchytné plochy neumožňují bezpečnou manipulaci a ovládání nářadí v neočekávaných situacích.

## 5) SERVIS

- a) **Nechte Váš stroj opravit pouze kvalifikovaným odborným personálem a pouze s originálními náhradními díly.** Tím bude zajištěno, že bezpečnost stroje zůstane zachována.

## BEZPEČNOSTNÍ PŘEDPISY PRO VRTAČÍ KLADIVA

### OBECNĚ

- Vždy zkontrolujte, zda je napájecí napětí stejné jako napětí uvedené na typovém štítku nástroje (nářadí určené k napájení 230V nebo 240V lze použít též v síti 220V)
- Tento nástroj nesmí používat osoby mladší 16 let
- **Nepracovávajte žádný materiál obsahující azbest** (azbest je karcinogenní)
- Pila se nesmí používat, je-li její přívodní šňůra poškozená; nechte si je kvalifikovaným pracovníkem vyměnit
- **Před seřizováním, měněním pilových listů a příslušenství, vždy vytáhněte zástrčku nářadí z el. sítě**

### PŘÍSLUŠENSTVÍ

- SKIL zajistí bezvadnou funkci nářadí pouze tehdy, používáte-li původní značkové
- Používejte pouze příslušenství, jejichž dovolené otáčky jsou alespoň tak vysoké jako nejvyšší otáčky stroje naprázdno

### PŘED POUŽITÍM

- Používejte zcela rozvinuté a bezpečně prodlužovací šňůry o kapacitě 16 ampér
- Vrtačku nepoužívejte je-li navlhla a nepracujte v blízkosti snadno zápalných nebo výbušných materiálů; před zahájením práce je odstraňte
- **Zajistěte obráběný díl** (obráběný díl uchycený pomocí upínacích zařízení nebo ve svěráku je mnohem bezpečnější než v ruce)
- **Použijte vhodné hledací přístroje k vyhledání skrytých přívodních vedení nebo přivězte místní dodavatelskou společnost** (kontakt s el. vedením může vést k požáru a elektrickému úderu; poškození plynového vedení může vést k explozi; proniknutí do vodovodního potrubí může způsobit věcné škody nebo elektrický úder)
- Prach z látek, jako jsou barvy obsahující olovo, některé druhy dřeva, minerály a kovy, může být škodlivý (kontakt s prachem nebo jeho vdechnutí může způsobit alergickou reakci a/nebo vyvolat respirační choroby u obsluhy nebo přihlížejících); **noste protiprachovou masku a pracujte se zařízením na odsávání prachu, pokud je možné jej připojit**
- Některé druhy prachu jsou klasifikovány jako karcinogenní (například dubový a bukový prach) zejména ve spojení s přísadami pro úpravu dřeva; **noste protiprachovou masku a pracujte se zařízením na odsávání prachu, pokud je možné jej připojit**
- Dodržujte stanovená nařízení pro práci v prašném prostředí

## BĚHEM POUŽITÍ

- **Noste ochranu sluchu** (působení hluku může způsobit ztrátu sluchu)
- **Používejte přídatvné rukojeti dodávané s nářadím** (ztráta kontroly může vést ke zraněním)
- **Pokud provádíte práce, při kterých může nasazovací nástroj zasáhnout skrytá elektrická vedení nebo vlastní síťový kabel, pak držte elektronářadí na izolovaných plochách rukojeti** (kontakt s vedením pod napětím může přivést napětí i na kovové díly elektronářadí a vést k úderu elektrickým proudem)
- Šňůru udržujte vždy mimo dosah pohyblivých částí nástroje
- V případě atypického chování nebo cizích hluků ihned vypněte nářadí a vytáhněte zástrčku
- Jestliže přívodní šňůru při práci podkódníte nebo poříznete, nedotýkejte se jí a okamžitě ji vytáhněte ze síťové zásuvky
- Jestliže se vrták neočekávaně zadře (a způsobí náhlou, nebezpečnou reakci), okamžitě nástroj vypněte
- Nezapomeňte, že při zadření vznikají určité síly (zejména při vrtání kovů); **vždy držte nářadí za pomocná rukojeť J** ⑤ a pevně se postavte

## PO POUŽITÍ

- Jakmile se hodláte vzdálit od nářadí, měl byste ho vypnout a vyčkat, dokud se pohybující části nezastaví

## VYSVĚTLENÍ SYMBOLŮ NA NÁŘADÍ

- ② Před použitím si přečtěte návod k použití
- ③ Dvojité izolace (není nutný zemnicí drát)
- ④ Nářadí nevyhazujte do komunálního odpadu

## OBSLUHA

- Zapnuto/vypnuto ⑥
- Aretace spínače pro nepřetržitě použití ⑦
- Regulátor rychlosti k hladkému startu ⑧
- Kontrola maximální rychlosti ⑨  
Pomocí ovladače B ⑤ se reguluje plynule maximální rychlost od minimální až po maximální
- Změna směru otáček ⑩
  - jestliže poloha doleva/doprava správně nezapadne, není možno zapnout vypínač A
  - ! **směr otáček se smí změnit pouze je-li nástroj zcela zastaven**
- Volba provozního režimu ⑪
  - pokud chcete odjízdit spínač E, zmáčkněte tlačítko F
  - otáčejte spínačem E do požadovaného provozního režimu, dokud nezaklapne
  - ! **zařízení se spustí pouze tehdy, pokud je spínač E zajištěný**
    - 1 = normální vrtání/šroubování
    - 2 = příklepové vrtání
    - 3 = dlabání s rotujícím dlátem
    - 4 = dlabání s pevným dlátem
  - ! **provozní režim nastavujte pouze při vypnutém nástroji a když je zástrčka odpojená**
  - elektropneumatický vrtací mechanismus se zapíná lehkým tlakem na vrtačku, jestliže se vrták dotkne obrobku
  - nejlepší výkony elektropneumatické vrtání je možné dosáhnout lehkým tlakem na vrtačku; větší tlak již nevede k lepšímu výsledku

- Dlabání s rotujícím dlátem ⑫
  - ! **vypněte nářadí a odpojte zástrčku**
  - vyberte "rotující" režim dlabání
- Dlabání s pevným dlátem ⑬
  - ! **vypněte nářadí a odpojte zástrčku**
  - vyberte "rotující" režim dlabání
  - dejte dláto do požadované polohy
  - vyberte "pevný" režim dlabání
- Výměna hrotů ⑭
  - ! **příslušenství SDS+ před nasazením očistete a lehce promažte**
  - odtáhněte zajišťovací objímku G a vložte příslušenství do sklíčidla SDS+ a otáčejte a přitlačujte jej, dokud nezapadne na své místo; příslušenství samočinně zaklapne
  - zaklapnutí příslušenství je třeba vyzkoušet
  - příslušenství vyjměte odtážením zajišťovací objímky G
  - ! **příslušenství SDS+ musí být volně pohyblivé, při chodu naprázdno vzniká rozkmit, který se při vrtání samočinně vystředí, a tudíž nemá žádný vliv na přesnost vrtání**
  - ! **nepoužívejte hroty/dláta s poškozeným dřikem**
  - Použijte adapter H ⑮ k vrtání do dřeva, kovu a umělé hmoty jakož i k šroubování
    - adapter před nasazením očistete a lehce promažte
    - odtáhněte zajišťovací objímku G a vložte adapter do sklíčidla SDS+ a otáčejte a přitlačujte jej, dokud nezapadne na své místo; adapter samočinně zaklapne
    - zaklapnutí adapteru je třeba vyzkoušet
    - přepínačem E ⑤ nastavit na normální vrtání (**přepínat pouze při vypnutém nástroji a když je zástrčka odpojená**)
  - Bezpečnostní spojka
    - Zablokuje-li se příslušenství, pohyb se přeruší až k vřetenu (a způsobí drnčivý hluk)
    - okamžitě nářadí vypněte
    - vyjměte zablokované příslušenství
    - nářadí znovu zapněte
  - Seřizování hloubky vrtání ⑯
  - Držení a vedení nástroje ⑰
    - ! **při práci vždy držte nástroj v šedě zabarvené oblasti rukojeti**
    - **vždy držte nářadí za pomocná rukojeť J** (Ize ji regulovat podle obrázku)
    - udržujte větrací šterbiny volné
    - na nástroj příliš netlačte; nechte jej, aby pracoval za vás

## NÁVOD K POUŽITÍ

- Použijte správné vrtáky ⑱
  - ! **používejte pouze ostré hroty/dláta**
- Při vrtání v kovu
  - předvrtajte napřed malý otvor
  - vrták při práci občas naolejujte
- Při zašroubovávání šroubu na konci nebo na začátku nějakého dřeva by měla být předvrtána díra, aby se zamezilo rozštípnutí dřeva
- Vrtání dřeva bez vzniku třísek ⑲
- Bezpečné vrtání zdí ⑳
- Bezpečné vrtání stropů ㉑
- Vrtání dlaždic bez skluzy ㉒
- Další tipy najdete na [www.skil.com](http://www.skil.com)

## ÚDRŽBA / SERVIS

- Tento nástroj není určen k profesionálnímu použití
- Nástroj a přívodní šňůru udržujte čisté (zejména větrací štěrbinu K ⑤)
- ! **před čištěním odpojte zástrčku**
- Pokud dojde i přes pečlivou výrobu a náročné kontroly k poruše nástroje, svěťte provedení opravy autorizovanému servisnímu středisku pro elektronářadí firmy SKIL
  - zašlete nástroj **nerozebraný** spolu s potvrzením o nákupu své prodejné nebo nejbližšímu servisu značky SKIL (adresy a servisní schéma nástroje najdete na [www.skil.com](http://www.skil.com))

## ŽIVOTNÍ PROSTŘEDÍ

- **Elektrické nářadí, doplňky a balení nevyhazujte do komunálního odpadu** (jen pro státy EU)
  - podle evropské směrnice 2012/19/EG o nakládání s použitými elektrickými a elektronickými zařízeními a odpovídajících ustanovení právních předpisů jednotlivých zemí se použitá elektrická nářadí, musí sbírat odděleně od ostatního odpadu a podrobit ekologicky šetrnému recyklování
  - symbol ④ na to upozorňuje

## HLUČNOSTI / VIBRACÍ

- Měřeno podle EN 60745 činí tlak hlukové vlny tohoto přístroje 91,0 dB(A) a dávka hlučnosti 102,0 dB(A) (standardní odchylka: 3 dB), a vibrací \* m/s<sup>2</sup> (vektorový součet tří os; nepřesnost K = 1,5 m/s<sup>2</sup>)
    - \* při elektropneumatické vrtání do betonu 12,3 m/s<sup>2</sup>
    - \* při sekání 10,9 m/s<sup>2</sup>
  - Úroveň vibrací byla měřena v souladu se standardizovaným testem podle EN 60745; je možné ji použít ke srovnání jednoho přístroje s druhým a jako předběžné posouzení vystavování se vibracím při používání přístroje k uvedeným aplikacím
    - používání přístroje k jiným aplikacím nebo s jiným či špatně udržovaným příslušenstvím může zásadně **zvýšit** úroveň vystavení se vibracím
    - doba, kdy je přístroj vypnutý nebo kdy běží, ale ve skutečnosti není využíván, může zásadně **snížit** úroveň vystavení se vibracím
- ! **chráňte se před následky vibrací tak, že budete dbát na údržbu přístroje a příslušenství, budete si udržovat teplé ruce a uspořádáte si své pracovní postupy**

TR

Křivci-delici

1763

## GİRİS

- Bu alet, beton, tuğla ve taş malzemede çekiç delme işleri için ve hafif keski işleri için geliştirilmiştir; tahta, metal, ve plastik malzemede delme ve vidalama işlerine belirli aksesuarı kullanın
- Bu aletin çekiç delme sistemi, betonda delme işlerinde bütün diğer darbeli matkapların performansını büyük ölçüde aşar

- Bu alet profesyonel kullanıma yönelik değildir
- Bu aletle bütün normal SDS+ aksesuarları kullanılabilir
- Bu kullanma kılavuzunu okuyun ve saklayın ②

## TEKNİK VERİLER ①

\* EPTA-Procedure 05/2009'a göre tek darbe kuvveti

## ALET BİLEŞENLERİ ⑤

- A Açma/kapama ve hız kontrol anahtarı
- B Maksimum hızı ayar düğmesi
- C Anahtar kilitleme düğmesi
- D Dönüş yönü değiştirme için kol
- E Çalıştırma modunu seçme anahtarı
- F Kilit açma düğmesi
- G Sürgülü kovani
- H Adaptör + 13 mm mandren
- J Yedek tutamak
- K Havalandırma yuvaları
- L Derinlik ayarı

## GÜVENLİK

### GENEL ELEKTRİKLİ EL ALETİ GÜVENLİK UYARILARI

**UYARI** Bu elektrikli el aletiyle birlikte gelen tüm güvenlik uyarılarını, talimatları, resim ve açıklamaları okuyun. Aşağıda bulunan talimatlara uyulmaması elektrik çarpmalarına, yangınlara ve/veya ağır yaralanmalara neden olabilir.

**Tüm uyarı ve talimatları ileride kullanmak üzere saklayın.**

Uyarı ve talimat hükümlerinde kullanılan "elektrikli el aleti" kavramı, akım şebekesine bağlı (şebeke bağlantı kablo su ile) aletlerle akü ile çalışan aletleri (akım şebekesine bağlantısı olmayan aletler) kapsamaktadır.

### 1) ÇALIŞMA YERİ GÜVENLİĞİ

- a) **Çalıştığınız yeri temiz ve düzenli tutun.** İşyerindeki düzensizlik veya yetersiz aydınlatma kazalara neden olabilir.
- b) **Yanıcı sıvıların, gazların veya tozların bulunduğuna patlama tehlikesi olan yer ve mekânlarda aletinizle çalışmayın.** Elektrikli el aletleri, toz veya buharların tutuşmasına veya yanmasına neden olan kıvılcımlar çıkarırlar.
- c) **Elektrikli el aletinizle çalışırken çocukları ve başkalarını çalışma alanınızın uzağında tutun.** Yakınızdaki bulunan kişiler dikkatinizi dağıtabilir ve bu da alet üzerindeki kontrolünüzü kaybetmenize neden olabilir.

### 2) ELEKTRİKSEL GÜVENLİK

- a) **Aletinizin bağlantı fişi prize uymalıdır. Fişi hiçbir şekilde değiştirmeyin. Koruyucu topraklamalı aletlerle adaptörlü fiş kullanmayın.** Değiştirilmemiş, orijinal fiş ve uygun prizler elektrik çarpma tehlikesini azaltır.
- b) **Borular, kalorifer tesisatı, ısıtıcılar ve buzdolapları gibi topraklanmış yüzeylerle bedensel temasa gelmekten kaçınınız.** Eğer bedeniniz topraklanacak olursa yüksek bir elektrik çarpma tehlikesi ortaya çıkar.



- c) **Aletinizi yağmur ve nemden koruyun.** Elektrikli el aletinin içine suyun sızması elektrik çarpmaya tehlikesini yükseltir.
- d) **Kabloyu kendi amacı dışında kullanmayın; örneğin aleti kablodan tutarak taşımayın, aleti kablo ile asmayın veya kablodan çekerek fişi prizden çıkarmayın.** Kabloyu aşırı ısıtın, yağlardan, keskin kenarlı cisimlerden veya aletin hareketli parçalarından uzak tutun. Hasarlı veya dolaşmış kablo elektrik çarpmaya tehlikesini yükseltir.
- e) **Elektrikli el aletinizle açık havada çalışırken mutlaka açık havada kullanılmaya müsadele uzatma kablosu kullanın.** Açık havada kullanılmaya uygun ve müsadele uzatma kablosunun kullanılması elektrik çarpmaya tehlikesini azaltır.
- f) **Elektrikli el aletinin nemli ortamlarda çalıştırılması şartsa, mutlaka toprak kaçağı devre kesicisi kullanın.** Toprak kaçağı devre kesicisi kullanımı elektrik çarpmaya tehlikesini azaltır.
- 3) KİŞİLERİN GÜVENLİĞİ**
- a) **Dikkatli olun, ne yaptığınıza dikkat edin ve elektrikli el aletinizle çalışırken makul hareket edin.** Yorgunsanız, hap, ilaç veya alkol almışsanız aletinizi kullanmayın. Aletinizi kullanırken bir anlık dikkatsizliğiniz ciddi yaralanmalara yol açabilir.
- b) **Daima kişisel korunma donanımları ve bir koruyucu gözlük kullanın.** Elektrikli el aletinin türü ve kullanımına uygun olarak kullanacağınız toz maskesi, kaymayan sağlam iş ayakkabıları, koruyucu kask veya koruyucu kulaklık gibi kişisel korunma donanımlarını kullanmanız yaralanma tehlikesini büyük ölçüde azaltır.
- c) **Aleti yanlışlıkla çalıştırmaktan kaçının.** Akım ikmal şebekesine ve/veya aküye bağlamadan, elinize alıp taşımadan önce elektrikli el aletinin kapalı durumda olduğundan emin olun. Elektrikli el aletini parmağınız şalter üzerinde dururken taşırırsanız ve alet açılken fişi prize sokarsanız kazalara neden olabilirsiniz.
- d) **Aleti çalıştırmadan önce ayar aletlerini veya tornavidaları aletten uzaklaştırın.** Dönen alet parçasına temas halinde bulunan bir uç veya alet anahtar yaralanmalara neden olabilir.
- e) **Kendinize çok fazla güvenmeyin. Duruşunuzun güvenli olmasına dikkat edin ve daima denginizi koruyun.** Bu sayede aletinizi beklenmedik durumlarda daha iyi kontrol edersiniz.
- f) **Uygun iş elbiseleri giyin. Geniş giysiler giymeyin ve takı takmayın. Saçlarınızı ve giysilerinizi aletin hareketli parçalarından uzak tutun.** Bol giysiler, takılar veya uzun saçlar aletin hareketli parçaları tarafından tutulabilir.
- g) **Aletinize toz emme donanımı ve toz tutma donanımı takılabiliyorsa, bunların bağlı olup olmadığını ve doğru işlev görüp görmediklerini kontrol edin.** Toz emme donanımının kullanımını tozdan kaynalanabilecek tehlikeleri azaltır.
- h) **Aletleri sık kullanmanız sebebiyle kazandığınız alışkanlıklar, güvenlik prensiplerine uymanızı önlememelidir.** Dikkatsiz bir hareket, bir anda ciddi yaralanmalara yol açabilir.

#### **4) ELEKTRİKLİ EL ALETLERİYLE DİKKATLİ ÇALIŞMAK VE ALETİ DOĞRU KULLANMAK**

- a) **Aletinizi aşırı ölçüde zorlamayın. İşinize uygun elektrikli el aletini kullanın.** Uygun elektrikli el aleti ile belirtilen performans alanında daha iyi ve daha güvenli çalışırsınız.
- b) **Açma/kapama şalteri arızalı olan elektrikli el aletini kullanmayın.** Açılıp kapanamayan bir elektrikli el aleti tehlikelidir ve onarılması gerekir.
- c) **Alette bir ayarlama işlemine başlamadan, herhangi bir aksesuarı değiştirirken veya aleti elinizden bırakırken fişi prizden çekin veya aküyü çıkarın.** Bu önlem, elektrikli el aletinin yanlışlıkla çalışmasını önler.
- d) **Kullanım dışında iken elektrikli el aletinizi çocukların ulaşamayacağı bir yerde saklayın. Aleti kullanmayı bilmeyen veya bu güvenlik talimatını okumayan kişilerin aleti kullanmasına izin vermeyin.** Deneyimsiz kişiler tarafından kullanıldıkları takdirde elektrikli el aletleri tehlikeli olabilirler.
- e) **Elektrikli el aletinizin ve aksesuarlarınızın bakımını düzenli yapın. Aletin hareketli parçalarını kusursuz işlev görüp görmediklerini ve sıkışmadıklarını, parçaların kırık veya hasarlı olup olmadıklarını kontrol edin, aksi takdirde alet işlevini tam olarak yerine getiremez. Aletinizi kullanmadan önce hasarlı parçaları onartın.** Birçok iş kazası aletlerin kötü ve yetersiz bakımından kaynaklanır.
- f) **Kesici uçları keskin ve temiz tutun.** İyi bakım görmüş kesici uçlar daha ender sıkışır ve daha iyi yönlendirilirler.
- g) **Elektrikli el aletlerini, aksesuarı, uçları ve benzerlerini bu güvenlik talimatına uygun olarak kullanın. Aletinizi kullanırken çalışma koşullarını ve yaptığınız işi daima dikkate alın.** Elektrikli el aletlerini kendileri için öngörülen işlevlerinde kullanmak tehlikeli durumların ortaya çıkmasına neden olabilir.
- h) **Tutamak ve kavrama yüzeylerini kuru, yağsız ve temiz tutun.** Kaygan tutamak ve kavrama yüzeyleri, aletin beklenmeyen durumlarda güvenli şekilde tutulmasını ve kontrol edilmesini engeller.

#### **5) SERVİS**

- a) **Aletinizi sadece uzman bir elemanga ve orijinal yedek parçalar kullanılarak onartın.** Böylelikle aletin güvenliğini korumuş olursunuz.

#### **KIRICI-DELİCİLER İÇİN GÜVENLİK TALİMATI**

##### **GENEL**

- Güç geriliminin, aletin özellik plakasında belirtilen voltaj değeriyle aynı olduğunu sık sık kontrol edin (230V veya 240V aletler 220V kaynağa bağlanabilir)
- Bu alet 16 yaşının altındaki kişiler tarafından kullanılmamalıdır
- **Bu aletle asbest içeren malzemeleri işlemeyin** (asbest kanserojen bir madde kabul edilir)
- Kordondan hasarlı iken cihazı kesinlikle kullanmayın; uzman bir kişi tarafından değiştiriniz
- **İstedığınız ayar değişikliklerini ve aksesuar değişikliklerini yapmadan önce mutlaka şebeke fişini prizden çekin**

##### **AKSESUARLAR**

- SKIL sadece orijinal aksesuarlar kullanıldığında aletin düzgün çalışmasını garanti eder

- Bu aletle kullanacağınız aksesuar edilen devir sayısı en azından aletin boştaki en yüksek devir sayısı kadar olmalıdır

#### KULLANMADAN ÖNCE

- Tamamen kusursuz ve güvenli 16 Amp uzatma kabloları kullanın
- İş parçasının vida, çivi ve benzeri malzeme tarafından hasar görmemesi için dikkatli olun; çalışmaya başlamadan önce bunları çıkartın
- **Çalıştığınız parçayı sabitleyin** (kıskaçlarla ya da mengeneyle sabitlenmiş bir iş parçası elle tutulan işten daha güvenilirdir)
- **Görünmeyen elektrik kablolarını belirlemek için uygun bir tarama cihazı kullanın veya yerel akım ikmal şirketlerinden yardım isteyin** (elektrik kablolarıyla temas, yangın çıkmasına veya elektrik çarpmalarına neden olabilir; bir gaz borusu hasar görürse patlama tehlikesi ortaya çıkar; bir su borusunun delinmesi halinde maddi hasarlar meydana gelebilir veya elektrik çarpma tehlikesi ortaya çıkabilir)
- Kurşun içeren boya, bazı ahşap türleri, mineral ve metal gibi malzemelerden çıkan toz zararlı olabilir (tozla temasta bulunulması veya solunması operatörde veya yakında bulunan kişilerde alerjik reaksiyonlara ve/veya solunum yolu hastalıklarına neden olabilir); **toz maskesi takın ve toz ekstraksiyon cihazıyla çalışın (bağlanabiliyorsa)**
- Bazı toz tipleri (örneğin meşe ve kayın ağacı tozu), bilhassa ahşap yenileme katkı maddeleriyle birlikte, kanserojenik olarak sınıflandırılır; **toz maskesi takın ve toz ekstraksiyon cihazı ile çalışın (bağlanabiliyorsa)**
- Çalışmak istediğiniz malzemelerin, toz ile ilgili ulusal taleplerini takip ediniz

#### KULLANIM SIRASINDA

- **Koruyucu kulaklık kullanın** (çalışırken çıkan gürültü kalıcı işitme kayıplarına neden olabilir)
- **Aleti ile birlikte teslim edilen ek tutamağı kullanın** (aletin kontrolünün kaybı yaralanmalara neden olabilir)
- **Çalışma esnasından uç görünmeyen akım kablolarına veya kendi bağlantı kablosuna temas etme olasılığı olan işleri yaparken aleti sadece izolasyonlu tutamaklarından tutun** (gerilim ileten kablolarla temas elektrikli el aletinin metal parçalarını da elektrik akımına maruz bırakabilir ve elektrik çarpmasına neden olabilir)
- Kabloyu her zaman aletin hareketli parçalarından uzak tutun
- Elektriksel veya mekaniksel hatalı çalışma durumunda aleti hemen kapatın ve fişi çekin
- Eğer cihazı kullanırken kordon hasar görür yada kesilirse, kordona kesinlikle dokunmayınız ve derhal fişi çekiniz
- Eğer matkap beklenmedik şekilde sıkışırsa (ani tehlikeli bir tepkiye sebep olarak) aleti hemen kapatın
- Sıkışma yüzünden meydana gelebilecek güçlerin farkında olun (özellikle metal delerken); **daime yardımcı kulpunu J 5 kullanın ve güvenli bir duruş alın**

#### KULLANIMDAN SONRA

- Aletinizi bırakıp gitmeden önce mutlaka kapatın ve döner parçaların tam olarak durmasını bekleyin

#### ALET ÜZERİNDEKİ SİMGELERİN AÇIKLAMASI

- ② Kullanmadan önce kılavuzu okuyun
- ③ Çift yalıtım (topraklama kablosu gerekli değildir)
- ④ Aleti evdeki çöp kutusuna atmayınız

## KULLANIM

- Açma/kapama ⑥
- Sürekli kullanım için anahtar kilitleme ⑦
- Düzgün başlama için hız kontrolü ⑧
- Maksimum hız kontrolü ⑨
- Ayar düğmesi B ⑤ ile maksimum hız minimumdan maksimuma kadar kademesiz olarak ayarlanabilir
- Dönüş yönünü değiştirme ⑩
  - sol/sağ pozisyonları doğru olarak kilitleme yapmadığı takdirde, açma/kapama şalteri A çalışmaz
  - ! **dönüş yönünü sadece alet tamamen dururken değiştirin**
- Çalıştırma modunu seçme ⑪
  - E anahtarın kilidini açmak için F düğmesine basın
  - E anahtarı kilitletinceye kadar istenen çalıştırma moduna getirin
  - ! **ancak E anahtar kilitletiği zaman çalışmaya başlayın**
    - 1 = normal delme/vidalama
    - 2 = darbeli delme
    - 3 = döner iskarpela ile yontma
    - 4 = sabit iskarpela ile yontma
  - ! **çalıştırma modunu sadece alet kapalıyken ve cihazın fısı takılı değilken seçin**
  - çekiç mekanizması, matkap ucu iş parçasına temas ettikten sonra alete hafifçe bastırmak suretiyle devreye girer
  - en iyi çekiç delme sonucu, alete hafifçe bastırmak suretiyle elde edilir; fazla bastırmakla delme sonucu düzelmez
- Döner iskarpela ile yontma ⑫
  - ! **aleti kapatın ve fişi prizden çekin**
  - “döner” yontma modunu seçin
- Sabit iskarpela ile yontma ⑬
  - ! **aleti kapatın ve fişi prizden çekin**
  - “döner” yontma modunu seçin
  - iskarpelayı istenen pozisyona getirin
  - “sabit” yontma modunu seçin
- Uçları değiştirme ⑭
  - ! **aksesuarı SDS+ takmadan önce temizleyin ve hafifçe yağlayın**
  - sürgülü kovani G geriye çekin ve aksesuarı SDS+ mandrene takın ve kavrayana kadar döndürün ve bastırın; aksesuar kendiliğinden kilitletir
  - aksesuarı çekerek kilitletmeyi kontrol edin
  - sürgülü kovani G geri çekerek aksesuarı çıkartın
  - ! **SDS+ aksesuar sürtünmesiz ve serbet hareket etmelidir; bunun sonucunda boşta çalışmadan konsantriklikte bir sapma olur, ancak delme sırasında bu dönme hareketi otomatik olarak merkezlenir; bunun delik hassaslığı ve tamlığı üzerinde bir etkisi olmaz**
  - ! **hasarlı uçları/keskileri kullanmayın**
- Tahta, metal ve plastik malzemede delme ve vidalama işlerinde adaptörü H ⑮ kullanın
  - adaptörü takmadan önce temizleyin ve hafifçe yağlayın
  - sürgülü kovani G geriye çekin ve adaptör SDS+ mandrene takın ve kavrayana kadar döndürün ve bastırın; adaptör kendiliğinden kilitletir
  - adaptörü çekerek kilitletmeyi kontrol edin
  - şalteri E ⑤ normal delme pozisyonuna getirin (**sadece alet kapalıyken ve cihazın fısı takılı değilken**)

- Emniyet debriyajı  
Matkap ucu sıkışacak veya takılacak olursa, emniyet debriyajı matkap milinin hareketini keser (takırdama sesi çıkar)
- aleti hemen kapatın
- takırdama sesi çıkartan aksesuarı çıkartın
- aleti tekrar çalıştırın
- Delik derinliğinin ayarlanması ⑩
- Aletin tutulması ve kullanılması ⑪
- ! **çalışma esnasında, aleti daima gri renkli bölge(ler)den tutun(uz)**
- **daima yardımcı kulpunu J kullanın** (gösterildiği gibi ayarlanabilir)
- havalandırma yuvalarını kapatmayın
- alete çok fazla baskı uygulamayın, bırakın alet sizin için çalışsın

## UYGULAMA

- Uygunu uçları kullanın ⑫
- ! **sadece keskin uçlar/keskiler kullanın**
- Metalde delik açarken
- önce küçük bir kılavuz delik açın
- matkap uçlarını belirli aralıklarla yağlayın
- Bir tahtanın baş kısmına veya sonuna bir vida vidalanırken, tahtanın yarılması için bir ön kılavuz delik açın
- Tahtada çatlaksız delme ⑬
- Duvarlarda tozsuz delme ⑭
- Tavanlarda tozsuz delme ⑮
- Fayans üzerinde kaydırmadan delme ⑯
- Daha fazla ipucu için [www.skil.com](http://www.skil.com) sitesini gezin

## BAKIM / SERVİS

- Bu alet profesyonel kullanıma yönelik değildir
- Aleti ve kablosunu daima temiz tutun (özellikle havalandırma yuvalarını K ⑤)
- ! **temizlemeden önce, cihazın fişini prizden çekin**
- Dikkatli biçimde yürütülen üretim ve test yöntemlerine rağmen aleti arıza yapacak olursa, onarım SKIL elektrikli aletleri için yetkili bir serviste yapılmalıdır
- aleti ambalajıyla birlikte satın alma belgenizde ekleyerek satıcınıza veya en yakın SKIL servisine ulaştırın (adresler ve aletin servis şemaları [www.skil.com](http://www.skil.com) adresinde listelenmiştir)

## ÇEVRE

- **Elektrikli aletlerini, aksesuarları ve ambalajları evdeki çöp kutusuna atmayınız** (sadece AB ülkeleri için)
- kullanılmış elektrikli aletleri, elektrik ve elektronik eski cihazlar hakkındaki 2012/19/EC Avrupa yönergelerine göre ve bu yönergeler ulusal hukuk kurallarına göre uyarlanarak, ayrı olarak toplanmalı ve çevre şartlarına uygun bir şekilde tekrar değerlendirmeye gönderilmelidir
- sembol ④ size bunu anımsatmalıdır

## GÜRÜLTÜ / TİTREŞİM

- Ölçülen EN 60745 göre ses basıncı bu makinanın seviyesi 91,0 dB(A) ve çalışma sırasındaki gürültü 102,0 dB(A) (standart sapma: 3 dB), ve titreşim \* m/s<sup>2</sup> (üç yönün vektör toplamı; tolerans K = 1,5 m/s<sup>2</sup>)
- \* betonde çekiç delerken 12,3 m/s<sup>2</sup>
- \* keskilme esnasında 10,9 m/s<sup>2</sup>
- Titreşim emisyon seviyesi EN 60745'te sunulan standart teste göre ölçülmüştür; bu seviye, bir aleti bir başkasıyla karşılaştırmak amacıyla ve aletin söz konusu uygulamalarda kullanılması sırasında titreşime maruz kalma derecesinin ön değerlendirmesi olarak kullanılabilir
- aletin farklı uygulamalar için veya farklı ya da bakımı yetersiz yapılmış aksesuarlarla kullanılması, maruz kalma seviyesini belirgin biçimde **arttırabilir**
- aletin kapalı olduğu veya çalıştığı ancak gerçek anlamda iş yapmadığı zamanlarda, maruz kalma seviyesi belirgin biçimde **azalabilir**
- ! **aletin ve aksesuarlarının bakımını yaparak, ellerinizi sıcak tutarak ve iş modellerinizi düzenleyerek kendinizi titreşimin etkilerinden koruyun**

PL

## Młot udarowo-obrotowy

1763

## WSTĘP

- Narzędzie przeznaczone jest do wiercenia z udarem elektropneumatycznym w betonie, cegle i kamieniu oraz do lekkiego dłutowania; do wiercenia w drewnie, metalu i tworzywach sztucznych oraz do wkręcania stosować odpowiedni osprzęt
- Zastosowany udar elektropneumatyczny pozwala na osiągnięcie znacznie większych wydajności wiercenia w betonie w porównaniu do zwykłych wiertarek udarowych
- Narzędzie nie jest przeznaczone do zastosowań profesjonalnych
- Elektronarzędzie przystosowane jest do mocowania narzędzi roboczych z chwytem wykonanym w standardzie SDS+
- Przeczytać i zachować niniejszą instrukcję obsługi ②

## DANE TECHNICZNE ①

\* ) Energia udaru zgodna z EPTA-Procedure 05/2009

## ELEMENTY NARZĘDZIA ⑤

- A Przycisk włącznik/wyłącznik i regulator prędkości
- B Pokrętko do kontrola maksymalnej prędkości obrotowej
- C Przycisk blokady włącznika
- D Dźwignia zmiany kierunku rotacji
- E Przełącznik wyboru trybu działania
- F Przycisk zwolnienia blokady
- G Tuleja blokująca
- H Adapter + uchwyt 13 mm
- J Uchwyt dodatkowy
- K Szczeliny wentylacyjne
- L Ogranicznik głębokości wiercenia

# BEZPIECZEŃSTWO

## OGÓLNE OSTRZEŻENIA DOTYCZĄCE BEZPIECZEŃSTWA UŻYTKOWANIA ELEKTRONARZĘDZIA

**⚠ OSTRZEŻENIE** Należy przeczytać wszystkie ostrzeżenia i wskazówki dotyczące bezpieczeństwa użytkowania oraz przestudiować wszystkie rysunki i parametry techniczne, dostarczone wraz z niniejszym elektronicznym narzędziem. Nieprzestrzeganie poniższych wskazówek może stać się przyczyną porażenia prądem elektrycznym, pożaru lub/i poważnych obrażeń ciała.

**Wszystkie ostrzeżenia i wskazówki należy zachować do dalszego zastosowania.**

Użyte w poniższym tekście pojęcie "elektronarzędzie" odnosi się do elektronicznego narzędzia zasilanego energią elektryczną z sieci (z przewodem zasilającym) i do elektronicznego narzędzia zasilanego akumulatorami (bez przewodu zasilającego).

### 1) BEZPIECZEŃSTWO MIEJSCA PRACY

- Miejsce pracy należy utrzymywać w czystości i dobrze oświetlone.** Nieporządek lub nie oświetlone miejsce pracy mogą doprowadzić do wypadków.
- Nie należy pracować tym narzędziem w otoczeniu zagrożonym wybuchem, w którym znajdują się np. łatwopalne ciecze, gazy lub pyły.** Elektronarzędzia wytwarzają iskry, które mogą podpalić ten pył lub pary.
- Elektronarzędzie trzymać podczas pracy z daleka od dzieci i innych osób.** Przy nieuwadze można stracić kontrolę nad narzędziem.

### 2) BEZPIECZEŃSTWO ELEKTRYCZNE

- Wtyczka urządzenia musi pasować do gniazda. Nie wolno modyfikować wtyczki w jakikolwiek sposób. Nie należy używać wtyczek adapterowych razem z uziemionymi narzędziami.** Niezmienione wtyczki i pasujące gniazda zmniejszają ryzyko porażenia prądem.
- Należy unikać kontaktu z uziemionymi powierzchniami jak rury, grzejniki, piece i lodówki.** Istnieje zwiększone ryzyko porażenia prądem, gdy Państwa ciało jest uziemnione.
- Urządzenie należy przechowywać zabezpieczone przed deszczem i wilgocią.** Wniknięcie wody do elektronicznego narzędzia podwyższa ryzyko porażenia prądem.
- Nigdy nie należy używać kabla do innych czynności. Nigdy nie używać kabla do noszenia urządzenia za kabel, zawieszenia lub do wyciągania wtyczki z gniazda. Kabel należy trzymać z daleka od wysokich temperatur, oleju, ostrych krawędzi lub ruchomych części urządzenia.** Uszkodzone lub poplątane kable zwiększają ryzyko porażenia prądem.
- W przypadku, kiedy elektronicznym narzędziem pracuje się na świeżym powietrzu należy używać kabla przedłużającego, który dopuszczony jest do używania na zewnątrz.** Użycie dopuszczanego do używania na zewnątrz kabla przedłużającego zmniejsza ryzyko porażenia prądem.
- Jeżeli nie da się uniknąć zastosowania elektronicznego narzędzia w wilgotnym otoczeniu, należy użyć wyłącznika ochronnego różnicowo-prądowego.**

Zastosowanie wyłącznika ochronnego różnicowo-prądowego zmniejsza ryzyko porażenia prądem.

### 3) BEZPIECZEŃSTWO OSÓB

- Należy być uważnym, uważać na to co się robi i pracę elektronicznym narzędziem rozpoczynać z rozsądkiem. Nie należy używać urządzenia gdy jest się zmęczonym lub pod wpływem narkotyków, alkoholu lub lekarstw.** Moment nieuwagi przy użyciu urządzenia może doprowadzić do poważnych urażeń ciała.
- Należy nosić osobiste wyposażenie ochronne i zawsze okulary ochronne.** Noszenie osobistego wyposażenia ochronnego jak maska przeciwpyłowa, nie ślizgające się buty robocze, hełm ochronny lub ochrona słuchu, w zależności od rodzaju i zastosowania elektronicznego narzędzia lub podłączenia do prądu włączonego narzędzia, może stać się przyczyną wypadków.
- Zanim urządzenie zostanie włączone należy usunąć narzędzia nastawcze lub klucze.** Narzędzie lub klucz, które znajdują się w ruchomych częściach urządzenia mogą doprowadzić do obrażeń ciała.
- Nie należy przeceniać swoich możliwości. Należy dbać o bezpieczną pozycję pracy i zawsze utrzymywać równowagę.** Przez to możliwa jest lepsza kontrola urządzenia w nieprzewidywalnych sytuacjach.
- Należy nosić odpowiednie ubranie. Nie należy nosić luźnego ubrania lub biżuterii. Włosy i ubranie należy trzymać z daleka od ruchomych elementów .[e] Luźne ubranie, biżuteria lub długie włosy mogą zostać pociągnięte przez poruszające się części.**
- W przypadku, kiedy możliwe jest zamontowanie urządzenia odsysających lub podchwytyjących należy upewnić się, czy są one właściwie podłączone i prawidłowo użyte.** Użycie urządzenia odsysającego pył może zmniejszyć zagrożenie pyłami.
- Nie wolno pozwolić, aby rutyna nabyta w wyniku wielokrotnego użycia elektronicznego narzędzia, zastąpiła ścisłe przestrzeganie zasad bezpieczeństwa.** Niedbale obsługiwane elektroniczne narzędzie może w ułamku sekundy wyrządzić istotne szkody lub spowodować ciężkie obrażenia.

### 4) UWAŻNE OBCOWANIE ORAZ UŻYCIE ELEKTRONARZĘDZIA

- Nie należy przeciążać urządzenia. Do pracy używać należy elektronicznego narzędzia, które jest do tego przewidziane.** Odpowiednim narzędziem pracuje się lepiej i bezpieczniej w podanym zakresie sprawności.
- Nie należy używać elektronicznego narzędzia, którego wyłącznik/wyłącznik jest uszkodzony.** Elektronarzędzie, którego nie można włączyć lub wyłączyć jest niebezpieczne i musi zostać naprawione.
- Przed rozpoczęciem jakichkolwiek prac nastawczych, przed wymianą osprzętu lub przed odłożeniem elektronicznego narzędzia należy wyjąć wtyczkę z gniazda sieciowego i/lub usunąć akumulator.** Ten

środek ostrożności zapobiega niezamierzonomu włączeniu się urządzenia.

- d) **Nie używane elektronarzędzia należy przechowywać poza zasięgiem dzieci. Nie należy udostępniać narzędzia osobom, które jego nie umieją lub nie przeczytały tych przepisów.** Używane przez niedoświadczone osoby elektronarzędzia są niebezpieczne.
- e) **Elektronarzędzia i osprzęt należy utrzymywać w nienagannym stanie technicznym. Należy kontrolować, czy ruchome części urządzenia funkcjonują bez zarzutu i nie są zablokowane, czy części nie są pęknięte lub uszkodzone, co mogłoby mieć wpływ na prawidłowe funkcjonowanie urządzenia. Uszkodzone narzędzie należy przed użyciem urządzenia oddać do naprawy.** Wiele wypadków spowodowanych jest przez niewłaściwą konserwację elektronarzędzi.
- f) **Osprzęt tnący należy utrzymywać ostry i czysty.** Starannie pielęgnowany osprzęt tnący z ostrymi krawędziami tnącymi blokuje się rzadziej i łatwiej się używa.
- g) **Elektronarzędzia, osprzęt, narzędzia itd. należy używać odpowiednio do tych przepisów. Uwzględnić należy przy tym warunki pracy i czynności do wykonania.** Użycie elektronarzędzi do innych niż przewidziane prace może doprowadzić do niebezpiecznych sytuacji.
- h) **Uchwyty i powierzchnie chwytowe powinny być zawsze suche, czyste, niezabrudzone olejem ani smarem.** Śliskie uchwyty i powierzchnie chwytowe nie pozwalają na bezpieczne trzymanie narzędzia i kontrolę nad nim w nieoczekiwanych sytuacjach.

## 5) SERWIS

- a) **Naprawę urządzenia należy zlecić jedynie kwalifikowanemu fachowcowi i przy użyciu oryginalnych części zamiennych.** To gwarantuje, że bezpieczeństwo użytkowania zostanie zachowane.

## PRZEPISY BEZPIECZEŃSTWA DO MŁOTÓW

### OGÓLNE

- Każdorazowo należy sprawdzać, czy napięcie zasilania jest zgodne z napięciem podanym na tabliczce znamionowej urządzenia (narzędzia na napięcie znamionowe 230V lub 240V zasilane można także napięciem 220V)
- Narzędzie nie powinny używać dzieci poniżej 16 roku życia
- **Nie należy obrabiać materiału zawierającego azbest** (azbest jest rakotwórczy)
- Pod żadnym pozorem nie wolno korzystać z narzędzia z uszkodzonym przewodem; zleć jego wymianę wykwalifikowanej osobie
- **Przed przystąpieniem do wykonywania jakichkolwiek czynności przy narzędziu, w czasie przerwy w pracy jak również po jej zakończeniu wyjąć wtyczkę z gniazda sieciowego**

### AKCESORIA

- SKIL może zagwarantować bezawaryjne działanie narzędzia tylko przy korzystaniu z oryginalnego wyposażenia dodatkowego

- Używać tylko akcesoriów, których dopuszczalna prędkość obrotowa jest co najmniej tak wysoka jak najwyższa prędkość obrotowa urządzenia na biegu bez obciążenia

### PRZED UŻYCIEM

- W przypadku korzystania z kabla przedłużającego należy zwrócić uwagę, aby był maksymalnie nawinięty na bęben oraz był przystosowany do przewodzenia prądu o natężeniu przynajmniej 16 A
  - Uwaga na gwoździe, śruby i inne twarde przedmioty; przed przystąpieniem do obróbki powinny być usunięte z obrabianego przedmiotu; usunąć je przed rozpoczęciem pracy
  - **Należy zabezpieczyć miejsce przeznaczone do zszycia** (miejsce przeznaczone do zszycia umieszczone w zaciskach lub imadle jest utrzymywane w miejscu bezpieczniej niż w ręku)
  - **Aby wykryć ukryte przewody zasilające należy używać stosownych detektorów lub porozumieć się z miejscowymi zakładami energetycznymi** (kontakt z przewodami elektrycznymi może doprowadzić do pożaru i porażenia elektrycznego; uszkodzenie przewodu gazowego może doprowadzić do wybuchu; uszkodzenie przewodów instalacji wodociągowej powoduje szkody rzeczowe i może spowodować porażenie elektryczne)
  - Pył pochodzący z takich materiałów, jak farby zawierające ołów, niektóre gatunki drzewa, minerały i metal może być szkodliwy (kontakt z nim lub wdychanie takiego pyłu może powodować reakcje alergiczne i/lub niewydolność oddechową u operatora lub osób towarzyszących); **należy zakładać maskę przeciwpyłową i pracować z urządzeniem odsysającym, jeżeli można je podłączyć**
  - Niektóre rodzaje pyłu są zaklasyfikowane jako rakotwórcze (tak, jak pył dębu i buka) szczególnie w połączeniu z dodatkami do kondycjonowania drewna; **należy zakładać maskę przeciwpyłową i pracować z urządzeniem odsysającym pył, jeżeli można je podłączyć**
  - Należy stosować się do lokalnych wymogów dotyczących pracy w otoczeniu pyłu powstającego podczas obróbki materiału
- ### PODCZAS UŻYWANIA
- **Zakładać ochronniki słuchu** (wpływ hałasu może spowodować utratę słuchu)
  - **Narzędzia używać z dodatkowymi rękawicami dostarczonymi z narzędziem** (utrata kontroli może spowodować osobiste obrażenia operatora)
  - **Podczas wykonywania prac, przy których narzędzie robocze mogłoby natrafić na ukryte przewody elektryczne lub na własny przewód zasilający, elektronarzędzie należy trzymać za izolowane powierzchnie rękawic** (kontakt z przewodem sieci zasilającej może spowodować przekazanie napięcia na części metalowe elektronarzędzia, co mogłoby spowodować porażenie prądem elektrycznym)
  - Kabel zasilający powinien stałe znajdować się w bezpiecznej odległości od wirującej części elektronarzędzia
  - W przypadku wadliwego działania mechanicznych lub elektrycznych elementów urządzenia, należy bezzwocznie odłączyć narzędzie i wyjąć wtyczkę

- W przypadku uszkodzenia lub przecięcia przewodu podczas pracy, nie wolno go dotykać, tylko należy natychmiast wyciągnąć z gniazdka wtyczkę
- Natychmiast wyłączyć narzędzie, gdy wiertło niespodziewanie ulegnie zakleszczeniu (wywołując nagłą, niebezpieczną reakcję)
- Należy zdawać sobie sprawę z sił, jakie powstają w wyniku zakleszczenia (szczególnie podczas wiercenia w metalu); **należy zawsze korzystać z pomocniczy uchwytu J** ⑤ i zachowywać bezpieczną odległość

## PO UŻYCIU

- Przed pozostawieniem elektronarzędzia należy odłączyć zasilanie elektryczne i odczekać do całkowitego zatrzymania się wrzeciona

## OBJAŚNIENIE SYMBOLI NA NARZĘDZIU

- ② Przed użyciem przeczytaj instrukcję obsługi
- ③ Podwójna izolacja (brak uziemienia)
- ④ Nie wyrzucaj narzędzie wraz z odpadami z gospodarstwa domowego

## UŻYTKOWANIE

- Włącznik/wyłącznik ⑥
- Blokada włącznika dla pracy ciągłej ⑦
- Regulacja prędkości dla płynnego startu ⑧
- Kontrola maksymalnej prędkości obrotowej ⑨  
Pokrętko B ⑤ umożliwia dokonanie bezstopniowego wyboru maksymalnej prędkości obrotowej od wartości minimalnych do maksymalnych
- Zmiana kierunku obrotów ⑩
  - w przypadku niewłaściwej pozycji przełącznika w lewo/prawo przycisk włącznika/wyłącznika A jest zablokowany
- ! **kierunek obrotów zmieniać tylko wtedy, gdy narzędzie jest całkowicie zatrzymane**
- Wybór trybu działania ⑪
  - nacisnąć przycisk F, aby odblokować przełącznik E
  - przekręcić przełącznik E na odpowiedni tryb pracy, do momentu jego zatrzaskania
- ! **pracę rozpoczynać tylko, jeśli przełącznik E jest zablokowany**
  - 1 = normalne wiercenie/wkręcanie
  - 2 = wiercenie z udarem
  - 3 = dłutowanie z wirującym dłutem
  - 4 = dłutowanie z ustaloną pozycją dłuta
- ! **tryb pracy wybieraj tylko przy wyłączonym urządzeniu i odłączonym zasilaniu**
  - udar elektropneumatyczny uruchamia się w momencie wywarcia niewielkiego nacisku na wiertło przy jego zetknięciu się z powierzchnią obrabianego materiału
  - optymalną wydajność wiercenia z udarem elektropneumatycznym osiąga się poprzez wywieranie tylko nieznacznego nacisku na wiertło; zwiększenie nacisku nie zwiększa wydajności wiercenia
- Dłutowanie z wirującym dłutem ⑫
  - ! **wyłącz narzędzie i wyciągnij wtyczkę z gniazdka**
  - wybierz tryb dłutowania "wirującego"
- Dłutowanie z ustaloną pozycją dłuta ⑬
  - ! **wyłącz narzędzie i wyciągnij wtyczkę z gniazdka**
  - wybierz tryb dłutowania "wirującego"
  - umieść dłuto w żądanej pozycji
  - wybierz tryb dłutowania z ustaloną pozycją dłuta

- Wymiana wiertła ⑭
  - ! **przed umieszczeniem osprzętu SDS+ wyczyść go i lekko nasmaruj**
  - pociągnąć do siebie tuleję blokującą G i umieść osprzętu w uchwycie SDS+ jednocześnie obracając go i wciskając aż do zetknięcia; osprzęt zostanie automatycznie zablokowany
  - pociągnąć osprzęt, aby sprawdzić czy jest prawidłowo zablokowany
  - wysunąć osprzęt pociągając tuleję blokującą G do siebie
  - ! **zgodnie z zasadą mocowania SDS+ osprzęt po wsunięciu do uchwytu powinno mieć możliwość niewielkiego poruszania się; w skutek tego w biegu luzem powstaje bicie promieniowe, które zanika w momencie rozpoczynania wiercenia i wiertło centruje się samoczynnie; nie zmniejsza to w żadnym stopniu dokładności wierconego otworu**
  - ! **nie używać wiertła/dłut ze zniszczonym uchwytem**  
Do wiercenia w drewnie, metalu i plastiku oraz wkręcania używaj adaptera H ⑮
    - przed umieszczeniem adaptera wyczyść go i lekko nasmaruj
    - pociągnąć do siebie tuleję blokującą G i umieść adapter w uchwycie SDS+ jednocześnie obracając go i wciskając aż do zetknięcia; adapter zostanie automatycznie zablokowany
    - pociągnąć adapter, aby sprawdzić czy jest prawidłowo zablokowany
    - przełącznik E ⑤ na normalne wiercenie (**włączy tylko wówczas przy wyłączonym urządzeniu i odłączonym zasilaniu**)
- Sprzęgło bezpieczeństwa  
W przypadku zablokowania się SDS+ osprzęt w obrabianym materiale zadziała sprzęgło odłączając napęd od wrzeciona (wywołując specyficzny hałas)
  - natychmiast wyłączyć elektronarzędzie
  - wysunąć zaklinowany osprzęt
  - elektronarzędzie uruchomić ponownie
- Ustawienie głębokości wiercenia ⑯
- Utrzymywanie i prowadzenie narzędzia ⑰
  - ! **podczas pracy zawsze trzymać narzędzie za uchwyt(y) ograniczone szarym kolorem**
  - **należy zawsze korzystać z pomocniczy uchwytu J** (istnieje możliwość regulacji, tak jak przedstawiono na rysunku)
  - szczeliny wentylacyjne powinny być odkryte
  - nie przyciskać urządzenia zbyt silnie; pozwól mu pracować dla ciebie

## WSKAZÓWKI UŻYTKOWANIA

- Używać właściwych wiertła ⑱
  - ! **używać tylko ostrych wiertła/dłut**
- Wiercenie otworów w metalach, w skład których wchodzi żelazo
  - podczas wiercenia dużych otworów należy wstępnie wywiercić mały otwór
  - od czasu do czasu naoliwić wiertło
- W celu uniknięcia rozwarstwiania przedmiotów drewnianych przy wkręcaniu wkrętów na brzegu należy otwór odpowiednio nawiercić

- Прzewieranie przedmiotów drewnianych bez wrywania krawędzi 19
- Bezpyłowe wiercenie w ścianie 20
- Bezpyłowe wiercenie w suficie 21
- Wiercenie bez poślizgu w płytkach ceramicznych 22
- Więcej wskazówek można znaleźć pod adresem [www.skil.com](http://www.skil.com)

## KONSERWACJA / SERWIS

- Narzędzie nie jest przeznaczone do zastosowań profesjonalnych
- Zawsze dbać o czystość narzędzia i przewodu zasilającego (a szczególnie otworów wentylacyjnych K 5)
- ! **przed przystąpieniem do czyszczenia należy wyjąć wtyk z gniazda sieciowego**
- Jeśli narzędzie, mimo dokładnej i wszechstronnej kontroli produkcyjnej ulegnie kiedykolwiek awarii, naprawę powinien przeprowadzić autoryzowany serwis elektronarzędzi firmy SKIL
  - odesłać **nierozebrany** narzędzie, wraz z dowodem zakupu, do dealera lub do najbliższego punktu usługowego SKIL (adresy oraz diagram serwisowy narzędzenia znajdują się na stronach [www.skil.com](http://www.skil.com))

## ŚRODOWISKO

- **Nie wyrzucaj elektronarzędzi, akcesoriów i opakowania wraz z odpadami z gospodarstwa domowego** (dotyczy tylko państw UE)
  - zgodnie z Europejską Dyrektywą 2012/19/WE w sprawie zużytego sprzętu elektrotechnicznego i elektronicznego oraz dostosowaniem jej do prawa krajowego, zużyte elektronarzędzia należy posegregować i zutylizować w sposób przyjazny dla środowiska
  - w przypadku potrzeby pozbycia się narzędzia, akcesoriów i opakowania - symbol 4 przypomni Ci o tym

## HAŁASU / WIBRACJE

- Pomiarów dokonano zgodnie z normą EN 60745 ciśnienie akustyczne narzędzia wynosi 91,0 dB(A) zaś poziom mocy akustycznej 102,0 dB(A) (poziom odchylenie: 3 dB), zaś vibracje \* m/s<sup>2</sup> (suma wektorowa z trzech kierunków; błąd pomiaru K = 1,5 m/s<sup>2</sup>)
  - \* podczas wiercenia z udarem elektropneumatycznym w betonie 12,3 m/s<sup>2</sup>
  - \* podczas dłutowania 10,9 m/s<sup>2</sup>
- Poziom emisji vibracji został zmierzony zgodnie z testem standaryzowanym podanym w EN 60745; może służyć do porównania jednego narzędzia z innym i jako ocena wstępna narażenia na vibracje w trakcie używania narzędzia do wymienionych zadań
  - używanie narzędzia do innych zadań, lub z innymi albo źle utrzymanymi akcesoriami, może znacząco **zwiększyć** poziom narażenia
  - przypadki, kiedy narzędzie jest wyłączane lub jest czynne, ale aktualnie nie wykonuje zadania, mogą znacząco **zmniejszyć** poziom narażenia

! **należy chronić się przed skutkami wibracji przez konserwację narzędzia i jego akcesoriów, zakładanie rękawic i właściwą organizację pracy**

UA

## Перфоратор

1763

### ВСТУП

- Цей інструмент придатний для свердління з ударом по бетону, цеглі та камінню, а також для легких довальних робіт; для свердління по дереву, металу та пластику, а також для роботи з гвинтами, використовуючи спеціальні приладдя
- Електропневматична система свердління з ударом цього інструмента, під час свердління бетону, перевіряє по своїм параметрам усі традиційні ударні дрилі
- Цей інструмент не придатний для промислового використання
- Цей інструмент розроблений для використання в комбінації з усіма стандартними приладдями SDS+
- Прочитайте і збережіть цю Інструкцію з експлуатації 2

### ТЕХНІЧНІ ДАНІ 1

\* ) Сила одиночного удару відповідно до EPTA-Procedure 05/2009

### ЕЛЕМЕНТИ ІНСТРУМЕНТА 5

- A Вимикач для вкл/викл та регулювання швидкості
- B Маховик для регулювання максимальної швидкості обертання
- C Кнопка блокування вимикача
- D Вазиль для зміни напрямку обертання
- E Вимикач для вибору режиму роботи
- F Кнопка розблокування
- G Фіксаторна втулка
- H Адаптер + патрон 13 мм
- J Додаткова ручка
- K Вентиляційні отвори
- L Обмежувач глибини свердління

### БЕЗПЕКА

#### ЗАГАЛЬНІ ВКАЗІВКИ З ТЕХНІКИ БЕЗПЕКИ ПОВОДЖЕННЯ З ЕЛЕКТРОІНСТРУМЕНТАМИ

**⚠ ПОПЕРЕДЖЕННЯ** Прочитайте всі вказівки з техніки безпеки, інструкції, ілюстрації та специфікації, надані з цим електроінструментом. Невиконання усіх поданих нижче інструкцій може призвести до ураження електричним струмом, пожежі і/або серйозної травми.

**Добре зберігайте на майбутнє ці попередження і вказівки.**

Під поняттям "електроприлад" в цих попередженнях мається на увазі електроприлад, що працює від мережі (з електрокабелем) або від акумуляторної батареї (без електрокабелю).

## 1) БЕЗПЕКА НА РОБОЧОМУ МІСЦІ

- a) **Примайте своє робоче місце в чистоті та прибирайте його.** Безлад або погане освітлення на робочому місці можуть призводити до нещасних випадків.
- b) **Не працюйте з приладом у середовищі, де існує небезпека вибуху внаслідок присутності горючих рідин, газів або пилу.** Електроприлади можуть породжувати іскри, від яких може займатися пил або пари.
- c) **Під час працювання з приладом не підпускайте до робочого місця дітей та інших людей.** Ви можете втратити контроль над приладом, якщо Ваша увага буде відвернута.

## 2) ЕЛЕКТРИЧНА БЕЗПЕКА

- a) **Штепсель приладу повинен пасувати до розетки. Не дозволяється що-небудь міняти в штепселі. Для роботи з приладами, що мають захисне заземлення, не використовуйте адаптери.** Використання оригінального штепселя та належної розетки зменшує ризик удару електричним струмом.
- b) **Уникайте контакту частей тіла із заземленими поверхнями, як напр., трубами, батареями опалення, печами та холодильниками.** Коли Ваше тіло заземлене, існує збільшена небезпека удару електричним струмом.
- c) **Захищайте прилад від дощу та вологи.** Попадання води в електроінструмент збільшує ризик удару електричним струмом.
- d) **Не використовуйте кабель для перенесення приладу, підвішування або витягування штепселя з розетки. Захищайте кабель від жару, олії, гострих країв та деталей приладу, що рухаються.** Пошкоджений або закручений кабель збільшує ризик удару електричним струмом.
- e) **Для зовнішніх робіт обов'язково використовуйте лише такий подовжувач, що допущений для зовнішніх робіт.** Використання подовжувача, що розрахований на зовнішні роботи, зменшує ризик удару електричним струмом.
- f) **Якщо не можна запобігти використанню електроприладу у вологому середовищі, використовуйте пристрій захисту від витоку в землю.** Використання зристою захисту від витоку в землю зменшує ризик удару електричним струмом.

## 3) БЕЗПЕКА ЛЮДЕЙ

- a) **Будьте уважними, слідуйте за тим, що Ви робите, та розсудливо поведіться під час роботи з електроприладом. Не користуйтеся приладом, якщо Ви стомлені або знаходитесь під дією наркотиків, спиртних напоїв або лік.** Мить неуважності при користуванні приладом може призводити до серйозних травм.
- b) **Вдягайте особисте захисне спорядження та обов'язково вдягайте захисні окуляри.** Вдягання особистого захисного спорядження, як напр., - в залежності від виду робіт - захисної маски, спецвзуття, що не ковзається, каски або навушників, зменшує ризик травм.
- c) **Уникайте ненавмисного вмикання. Перш ніж вмикати електроприлад в електромережу або встромляти акумуляторну батарею, брати його в**

**руки або переносити, впевніться в тому, що електроприлад вимкнений.** Тримання пальця на вимикачі під час перенесення електроприладу або встромлення в розетку увімкненого приладу може призводити до травм.

- d) **Перед тим, як вмикати прилад, приберіть налагоджувальні інструменти та гайковий ключ.** Знаходження налагоджувального інструмента або ключа в деталі, що обертається, може призводити до травм.
  - e) **Не переоцінюйте себе. Зберігайте стійке положення та завжди зберігайте рівновагу.** Це дозволить Вам краще зберігати контроль над приладом у несподіваних ситуаціях.
  - f) **Вдягайте придатний одяг. Не вдягайте просторий одяг та прикраси. Не підставляйте волосся й одяг до деталей, що рухаються.** Просторий одяга, прикраси та довге волосся можуть попадати в деталі, що рухаються.
  - g) **Якщо існує можливість монтувати пилівідсмоктувальні або пилоуловлювальні пристрої, переконайтеся, щоб вони були добре під'єднані та правильно використовувалися.** Використання пилівідсмоктувального пристрою може зменшити небезпеки, зумовлені пилом.
  - h) **Добре знання електроінструментів, отримане в результаті частого їх використання, не повинно призводити до самовпевненості й ігнорування принципів техніки безпеки.** Необережна дія може в одну мить призвести до важкої травми.
- ## 4) ПРАВИЛЬНЕ ПОВОДЖЕННЯ ТА КОРИСТУВАННЯ ЕЛЕКТРОПРИЛАДАМИ
- a) **Не перавантажуйте прилад. Використовуйте такий прилад, що спеціально призначений для певної роботи.** З придатним приладом Ви з меншим ризиком отримаєте кращі результати роботи, якщо будете працювати в зазначеному діапазоні потужності.
  - b) **Не користуйтеся приладом з пошкодженим вимикачем.** Прилад, який не можна увімкнути або вимкнути, є небезпечним і його треба відремонтувати.
  - c) **Перед тим, як регулювати що-небудь на приладі, міняти приладдя або ховати прилад, витягніть штепсель із розетки та/або витягніть акумуляторну батарею, якщо вона знімається.** Ці попереджувальні заходи з техніки безпеки зменшують ризик ненавмисного запуску приладу.
  - d) **Зберігайте електроприлади, якими Ви саме не користуєтесь, далеко від дітей. Не дозволяйте користуватися електроприладом особам, що не знайомі з його роботою або не читали ці вказівки.** У разі застосування недосвідченими особами прилади несуть в собі небезпеку.
  - e) **Старанно дглядайте за електроінструментами і приладдям. Перевірте, щоб рухомі деталі приладу бездоганно працювали та не заїдали, не були поламаними або настільки пошкодженими, щоб це могло вплинути на функціонування приладу. Пошкоджені деталі треба відремонтувати в авторизованій майстерні, перш ніж ними можна знову користуватися.** Велика



кількість нещасних випадків спричиняється поганим доглядом за електроприладами.

- f) **Тримайте різальні інструменти добре нагостреними та в чистоті.** Старанно доглянути різальні інструменти з гострим різальним краєм менше застряють та їх легше вести.
- g) **Використовуйте електроприлади, приладдя до них, робочі інструменти т.і. відповідно до цих вказівок. Беріть до уваги при цьому умови роботи та специфіку виконуваної роботи.** Використання електроприладів для робіт, для яких вони не передбачені, може призводити до небезпечних ситуацій.
- h) **Тримайте рукоятки і поверхні захвату сухими і чистими, слідуйте, щоб на них не було оливи або густого мастила.** Слизькі рукоятки і поверхні захвату унеможливають безпечно поводження з електроінструментом та його контролювання в неочікуваних ситуаціях.

#### 5) СЕРВІС

- a) **Віддавайте свій прилад на ремонт лише кваліфікованим фахівцям та лише з використанням оригінальних запчастин.** Це забезпечить безпечність приладу на довгий час.

#### ВКАЗІВКИ ПО БЕЗПЕЦІ ДЛЯ ПЕРФОРАТОРІВ

##### ЗАГАЛЬНЕ

- Перед роботою перевірте відповідність струму в мережі із струмом, позначені на інструменті (інструменти, розраховані на 230В або 240В, також можуть підключатися до мережі 220В)
- Цей інструмент не можна використовувати особам віком до 16 років
- **Не обробляйте матеріали, що містять асбест** (асбест вважається канцерогенним)
- Ніколи не використовуйте інструмент з пошкодженим шнуром; його повинен замінити кваліфікований фахівець
- **Перед регулюванням або заміною приладдя обов'язково вийміть вилку із сітьової розетки**

##### АКСЕСУАРИ

- SKIL гарантує надійну роботу інструмента тільки при використанні відповідного приладдя
- Використовуйте лише приладдя, допускає швидкість обертання якого як мінімум відповідає найвищій швидкості інструмента без навантаження

##### ПЕРЕД ВИКОРИСТАННЯМ

- Використовуйте повністю розгорнений шнур подовжувача, який може витримувати навантаження в 16 Ампер
- Не допускайте пошкоджень, які можуть нанести шурупи, цвяхи і інші елементи вашому виробу; видаліть їх перед початком роботи
- **Зафіксуйте оброблювану деталь** (оброблювана деталь, зафіксована за допомогою затискних пристроїв або лещат, закріплюється краще, ніж вручну)
- **Використовуйте придатні пошукові прилади для знаходження захованих в будівлі труб та кабелів або зверніться за допомогою в місцеве підприємство електро-, газо- та водопостачання** (зачеплення електропроводки може призводити до

пожежі та удару електричним струмом; зачеплення газової труби може призводити до вибуху; зачеплення водопровідної труби може завдати шкоду матеріальним цінностям або призводити до удару електричним струмом)

- Пил від таких матеріалів, як свинцовоутримуюча фарба, деякі породи дерева, мінерали й метал, може бути шкідливим (контакт із таким пилом або його вдихання може стати причиною виникнення в оператора або осіб, що перебувають поруч, алергійних реакцій і/або респіраторних захворювань); **надягайте респіратор і працюйте з пиловидальючим пристроєм під час увімкнення інструмента**
- Деякі види пилу класифікуються як канцерогенні (наприклад, дубовий або буковий пил), особливо в сполученні з добавками для кондиціювання деревини; **надягайте респіратор і працюйте з пиловидальючим пристроєм під час увімкнення інструмента**
- Слідуйте інструкціям по роботі з матеріалами, продуцуючими пил

##### ПІД ЧАС ВИКОРИСТАННЯ

- **Вдягайте навушники** (шум може пошкодити слух)
- **Використовуйте додані до інструменту додаткові рукоятки** (втрата контролю над інструментом може призводити до тілесних ушкоджень)
- **При роботах, коли робочий інструмент може зачепити заховану електропроводку або власний шнур живлення, тримайте електроінструмент за ізольовані рукоятки** (зачеплення проводки, що знаходиться під напругою, може заряджувати також і металеві частини електроінструмента та призводити до удару електричним струмом)
- Не дозволяйте шнуру живлення стикатися з рухомими частинами інструменту
- У разі електричної або механічної несправності, негайно відключіть інструмент і вимкніть з розетки
- Якщо шнур пошкоджений або прорізаний при роботі, не доторкайтеся до нього і негайно витягніть його з розетки
- Якщо свердло заїло (що призводить до неочікуваної небезпечної реакції), негайно вимкніть інструмент
- Пам'ятайте про безпеку, що може з'явитися під час заїдання свердла (особливо при свердлінні металів); **завжди використовуйте бонову ручку J** ⑤ та займайте надійну позу

##### ПІСЛЯ ВИКОРИСТАННЯ

- Коли ви закінчили роботу з інструментом, вимкніть мотор і переконайтеся, що всі рухомі частини повністю зупинилися

##### ПОЯСНЕННЯ ДО УМОВНИХ ПОЗНАЧОК НА ІНСТРУМЕНТІ

- ② Перед використанням прочитайте інструкцію із застосування
- ③ Подвійна ізоляція (заземлюючий провід не потрібен)
- ④ Не викидайте інструмент разом зі звичайним сміттям

##### ВИКОРИСТАННЯ

- Вмикання/вимикання ⑥
- Блокування вимикача для тривалої роботи ⑦

- Контроль швидкості для плавного пуску ⑧
- Регулятор максимальної швидкості ⑨  
Маховиком В ⑤ можна досягнути максимальної швидкості свердління, обертаючи його поступово від мінімуму до максимуму
- Зміна напрямку обертання ⑩
  - при неповній установці положення лів/прав пускового виключачеля А не працює
  - ! мінняйте напрям обертання тільки при повній зупинці інструмента**
- Вибір режиму роботи ⑪
  - натисніть кнопку F для розблокування перемикача Е
  - переведіть вимикач Е у потрібний режим роботи до фіксації
  - ! починайте роботу тільки після блокування перемикача Е**
  - 1 = свердління без удару/викрутка
  - 2 = ударне свердління
  - 3 = пробійний режим з різцем, що крутиться
  - 4 = пробійний режим з фіксованим різцем
  - ! обертайте режим роботи тільки при вимкненому інструменті та вилка вийнята з розетки**
  - електропневматичний механізм свердління з ударом вмикається шляхом легкого натискання на інструмент, коли кінчик свердла торкається заготовки
  - найкращі результати свердління з ударом досягаються тільки при легкому натиску на інструмент; при посиленні тиску на інструмент продуктивність свердління не збільшується
- Пробійний режим з різцем, що крутиться ⑫
  - ! вимкніть інструмент і витягніть вилку з розетки**
  - виберіть пробійний режим "з різцем, що крутиться"
- Пробійний режим з фіксованим різцем ⑬
  - ! вимкніть інструмент і витягніть вилку з розетки**
  - виберіть пробійний режим "з різцем, що крутиться"
  - розмістіть різець у потрібному положенні
  - виберіть пробійний режим "з фіксованим різцем"
- Заміна насадок ⑭
  - ! перед встановленням очистіть та трохи змастіть приладдя SDS+**
  - відтягніть фіксаторну втулку G та втруміть приладдя у патрон SDS+, прокрутіть та натисніть на нього; фіксація приладдя у необхідному положенні відбудеться автоматично
  - потягніть за приладдя, щоб переконатись, що воно правильно затиснуто
  - для зняття приладдя відтягніть фіксаторну втулку G
  - ! приладдя SDS+ потребують свободи кріплення, що призводить до появи ексцентриситету, коли інструмент не навантажено; однак під час процесу роботи відбувається автоматичне центрування приладдя без створення шкоди для точного свердління**
  - ! не використовуйте насадки/різці з пошкодженим стовбуром**

Для свердління по дереву, металу та пластикку, а також для загвинчування слід використовувати адаптер Н ⑮

- почистіть та змастіть адаптер перед встановленням
- відтягніть фіксаторну втулку G та втруміть адаптер у патрон SDS+, прокрутіть та натисніть на нього; фіксація адаптера у необхідному положенні відбудеться автоматично
- подягніть за адаптер, щоб переконатись що він надійно зафіксований
- встановіть перемикач Е ⑤ на режим звичайного свердління (**перемикач працює тільки при вимкненому інструменті та вилка вийнята з розетки**)
- Запобіжна муфта  
Якщо приладдя заідає під час свердління, відбувається блокування шпинделя (і, як наслідок, лунає характерний звук)
  - негайно вимкніть інструмент
  - розблокуйте приладдя
  - увімкніть інструмент
- Регулювання глибини свердління ⑯
- Утримування і робота інструментом ⑰
  - ! під час роботи, завжди тримайте інструмент за частини захвату сірого кольору**
  - завжди використовуйте бокову ручку J (може регулюватись як показано)
  - не закривайте вентиляційні отвори
  - не тисніть на інструмент; дайте інструменту можливість працювати за вас

## ПОРАДИ ПО ВИКОРИСТАННЮ

- Використовуйте відповідні насадки ⑱
  - ! використовуйте тільки гострі насадки/різці**
- Свердління чорних металів
  - попередню просвердліть отвір меншого діаметру, якщо необхідний отвір великого розміру
  - час від часу змащуйте свердла маслом
- При вгвинчуванні шурупів у поперечний зріз дерева або біля нього або в кромку дерева необхідно спочатку просвердлити отвір, щоб запобігти розколу деревини
- Свердління деревини без виривання скалок ⑲
- Свердління в стінах без пилу ⑳
- Свердління в стелях без пилу ㉑
- Свердління нафельних плиток без прослизькування ㉒
- Див додаткову інформацію на [www.skil.com](http://www.skil.com)

## ДОГЛЯД/ОБСЛУГОВУВАННЯ

- Цей інструмент не придатний для промислового використання
- Завжди тримайте інструмент та його шнур в чистоті (особливо вентиляційні отвори К ⑥)
  - ! перед чисткою інструменту необхідно роз'єднати штепсельний роз'єм**
- Якщо незважаючи на ретельну технологію виготовлення і перевірки інструмент все-таки вийде з ладу, його ремонт дозволяється виконувати лише в

авторизованій сервісній майстерні для електроприладів SKIL

- надішліть **нерозібраний** інструмент разом з доказом купівлі до Вашого дилера або до найближчого центру обслуговування SKIL (адреси, а також діаграма обслуговування пристрою, подаються на сайті [www.skil.com](http://www.skil.com))

## ΟΧΟΡΟΝΑ ΝΑΒΚΟΛΙШНЬΟΪ ΣΕΡΕΔΙ

- **Не викидайте електроінструмент, принадлежності та упаковку разом зі звичайним сміттям** (тільки для країн ЄС)
- відповідно до європейської директиви 2012/19/ЄС щодо утилізації старих електричних та електронних приладів, в залежності з місцевим законодавством, електроінструмент, який перебував в експлуатації повинен бути утилізований окремо, безпечним для навколишнього середовища шляхом
- малюнок ④ нагадає вам про це

## ШУМ / ВІБΡΑЦІЯ

- Зміряний відповідно до EN 60745 рівень тиску звуку даного інструменту 91,0 дБ(А) і потужність звуку 102,0 дБ(А) (стандартне відхилення: 3 дБ), і вібрація
    - \*  $m/c^2$  (векторна сума трьох напрямків; похибка  $K = 1,5 m/c^2$ )
    - \* свердління з ударом в бетоні  $12,3 m/c^2$
    - \* довшання  $10,9 m/c^2$
  - Рівень вібрації було виміряно у відповідності зі стандартизованим випробуванням, що міститься в EN 60745; дана характеристика може використовуватися для порівняння одного інструмента з іншим, а також для попередньої оцінки впливу вібрації під час застосування даного інструмента для вказаних цілей
  - при використанні інструмента в інших цілях або з іншими/несправними допоміжними пристосуваннями рівень впливу вібрації може значно **підвищуватися**
  - у періоди, коли інструмент вимикнений або функціонує без фактичного виконання роботи, рівень впливу вібрації може значно **знижуватися**
- ! захищайте себе від впливу вібрації, підтримуючи інструмент і його допоміжні пристосування в справному стані, підтримуючи руки в теплі, а також правильно організовуючи свій робочий процес**

GR

## Перистроφικό πιστολέτο

1763

## ΕΙΣΑΓΩΓΗ

- Το εργαλείο προορίζεται για διάτρηση με περιστροφή σε μετόν, τούβλο και πέτρα καθώς και για ελαφρές εργασίες σμίλευσης – για διάτρηση σε ξύλο, μέταλλα και πλαστικά υλικά καθώς και για βίδωμα πρέπει να χρησιμοποιούνται ειδικά εξαρτήματα

- Το σύστημα διάτρησης με περιστροφή στο εργαλείο αυτό ξεπερνά σε απόδοση κάθε παραδοσιακού τύπου κρουστικό δράπανο για διάτρηση σε τσιμέντο
- Αυτό το εργαλείο δεν προορίζεται για επαγγελματική χρήση
- Αυτό το εργαλείο είναι σχεδιασμένο για χρήση σε συνδυασμό με τα τυποποιημένα εξαρτήματα SDS+
- Διαβάστε και φυλάξτε αυτές τις οδηγίες χρήσεως ②

## ΤΕΧΝΙΚΑ ΧΑΡΑΚΤΗΡΙΣΤΙΚΑ ①

- \* Ισχύς μεμονωμένης κρούσης κατά EPTA-Procedure 05/2009

## ΜΕΡΗ ΤΟΥ ΕΡΓΑΛΕΙΟΥ ⑤

- A** Διακόπτης εκκίνησης/στάσης και ελέγχου ταχύτητας
- B** Τροχήσκος ρύθμισης της μέγιστης ταχύτητας
- C** Κουμπί ασφάλισης του διακόπτη
- D** Μοχλός αλλαγής της κατεύθυνσης περιστροφής
- E** Διακόπτης επιλογής τρόπου λειτουργίας
- F** Κουμπί απασφάλισης
- G** Κέλυφος μανδάλωσης
- H** Προσαρμογέα + τσόκ 13 mm
- J** Βοηθητική λαβή
- K** Σχιστές αερισμού
- L** Δείκτης βάθους

## ΑΣΦΑΛΕΙΑ

### ΓΕΝΙΚΕΣ ΥΠΟΔΕΙΞΕΙΣ ΑΣΦΑΛΕΙΑΣ ΓΙΑ ΗΛΕΚΤΡΙΚΑ ΕΡΓΑΛΕΙΑ

**ΠΡΟΕΙΔΟΠΟΙΗΣΗ** Διαβάστε όλες τις υποδείξεις ασφαλείας, οδηγίες, εικονογραφήσεις και όλα τα τεχνικά στοιχεία, που συνοδεύουν αυτό το ηλεκτρικό εργαλείο. Αμέλειες κατά την τήρηση των ακόλουθων υποδείξεων μπορεί να προκαλέσουν ηλεκτροπληξία, πυρκαγιά και/ή σοβαρούς τραυματισμούς.

**Φυλάξτε όλες τις υποδείξεις ασφαλείας και τις οδηγίες για το μέλλον.**

Ο ορισμός “ηλεκτρικό εργαλείο” που χρησιμοποιείται στις προειδοποιητικές υποδείξεις αναφέρεται σε ηλεκτρικά εργαλεία που τροφοδοτούνται από το ηλεκτρικό δίκτυο (με ηλεκτρικό καλώδιο) καθώς και σε ηλεκτρικά εργαλεία που τροφοδοτούνται από μπαταρία (χωρίς ηλεκτρικό καλώδιο).

### 1) ΑΣΦΑΛΕΙΑ ΣΤΟ ΧΩΡΟ ΕΡΓΑΣΙΑΣ

- α) Διατηρείτε το χώρο που εργάζεσθε καθαρό και καλά φωτισμένο.** Αταξία στο χώρο που εργάζεσθε ή μη φωτισμένες περιοχές εργασίας μπορεί να οδηγήσουν σε ατυχήματα.
- β) Μην εργάζεσθε με το ηλεκτρικό εργαλείο σε περιβάλλον που υπάρχει κίνδυνος έκρηξης, στο οποίο υπάρχουν εύφλεκτα υγρά, αέρια ή σκόνη.** Τα ηλεκτρικά εργαλεία μπορεί να δημιουργήσουν σπινθηρισμό ο οποίος μπορεί να αναφλέξει τη σκόνη ή τις αναθυμιάσεις.
- γ) Όταν χρησιμοποιείτε το ηλεκτρικό εργαλείο κρατάτε τα παιδιά κι άλλα τυχόν πρόσωπα μακριά από το χώρο που εργάζεσθε.** Σε περίπτωση που

άλλα άτομα αποσπάσουν την προσοχή σας μπορεί να χάσετε τον έλεγχο του μηχανήματος.

## 2) ΗΛΕΚΤΡΙΚΗ ΑΣΦΑΛΕΙΑ

- a) **Το φως του καλωδίου του ηλεκτρικού εργαλείου πρέπει να ταιριάζει στην αντίστοιχη πρίζα. Δεν επιτρέπεται με κανένα τρόπο η μετασκευή του φως. Μη χρησιμοποιείτε προσρμοστικά φως σε συνδυασμό με ηλεκτρικά εργαλεία συνδεδεμένα με τη γη (γειωμένα).** Αθικτα φως και κατάλληλες πρίζες μειώνουν τον κίνδυνο ηλεκτροπληξίας.
- b) **Αποφεύγετε την επαφή του σώματος σας με γειωμένες επιφάνειες όπως σωλήνες, θερμαντικά σώματα (καλοριφέρ), κουζίνες και ψυγεία.** Όταν το σώμα σας είναι γειωμένο αυξάνεται ο κίνδυνος ηλεκτροπληξίας.
- c) **Μην εκθέτετε το ηλεκτρικό εργαλείο στη βροχή ή την υγρασία.** Η διείσδυση νερού στο ηλεκτρικό εργαλείο αυξάνει τον κίνδυνο ηλεκτροπληξίας.
- d) **Μη χρησιμοποιείτε το καλώδιο για να μεταφέρετε ή ν'αναρτήσετε το ηλεκτρικό εργαλείο ή για να βγάλετε το φως από την πρίζα. Κρατάτε το καλώδιο μακριά από υψηλές θερμοκρασίες, λάδια, κοφτερές ακμές η κινούμενα εξαρτήματα.** Τυχόν χαλασμένα ή μπερδεμένα καλώδια αυξάνουν τον κίνδυνο ηλεκτροπληξίας.
- e) **Όταν εργάζεσθε με το ηλεκτρικό εργαλείο στο ύπαιθρο χρησιμοποιείτε πάντοτε καλώδια επιμήκυνσης (μπαλαντάζες) που έχουν εγκριθεί για χρήση σε εξωτερικούς χώρους.** Η χρήση καλωδίων επιμήκυνσης εγκριμένων για εργασία σε εξωτερικούς χώρους μειώνει τον κίνδυνο ηλεκτροπληξίας.
- f) **Όταν η χρήση του ηλεκτρικού εργαλείου σε υγρό περιβάλλον είναι αναπόφευκτη, τότε χρησιμοποιήστε έναν προστατευτικό διακόπτη διαρροής.** Η χρήση ενός προστατευτικού διακόπτη διαρροής ελαττώνει τον κίνδυνο ηλεκτροπληξίας.

## 3) ΑΣΦΑΛΕΙΑ ΠΡΟΣΩΠΩΝ

- a) **Να είστε πάντοτε προσεκτικός/προσεκτική, να δίνετε προσοχή στην εργασία που κάνετε και να χειριζέσθε το ηλεκτρικό εργαλείο με περισκεψη. Μην κάνετε χρήση του ηλεκτρικού εργαλείου όταν είσθε κουρασμένος/κουρασμένη ή όταν βρίσκεσθε υπό την επιρροή ναρκωτικών, οιοπνεύματος ή φαρμάκων.** Μια στιγμήαια απροσεξία κατά το χειρισμό του ηλεκτρικού εργαλείου μπορεί να οδηγήσει σε σοβαρούς τραυματισμούς.
- b) **Φοράτε προστατευτικά ενδύματα και πάντοτε προστατευτικά γυαλιά.** Όταν φοράτε ενδύματα ασφαλείας, ανάλογα με το υπό χρήση ηλεκτρικό εργαλείο, όπως προσωπίδα προστασίας από σκόνη, αντιολισθητικά παπούτσια ασφαλείας, κράνη ή ωταπίδες, μειώνεται ο κίνδυνος τραυματισμών.
- c) **Αποφεύγετε την αθέλητη εκκίνηση. Βεβαιωθείτε ότι το ηλεκτρικό εργαλείο έχει αποζευχτεί πριν το συνδέσετε με το ηλεκτρικό δίκτυο ή/και με την μπαταρία καθώς και πριν το παραλάβετε ή το μεταφέρετε.** Όταν μεταφέρετε το ηλεκτρικό εργαλείο έχοντας το δάχτυλό σας στο διακόπτη ή όταν συνδέσετε το μηχανήμα με την πηγή ρεύματος όταν αυτό είναι ακόμη συζευγμένο, τότε δημιουργείται κίνδυνος τραυματισμών.
- d) **Αφαιρείτε από τα ηλεκτρικά εργαλεία πριν τα θέσετε σε λειτουργία τυχόν συναρμολογημένα χρησιμοποιήσιμα εργαλεία ή κλειδιά.** Ένα εργαλείο ή κλειδί συναρμολογημένο στο περιστρεφόμενο εξάρτημα του ηλεκτρικού εργαλείου μπορεί να οδηγήσει σε τραυματισμούς.
- e) **Μην υπερκτιμάτε τον εαυτό σας. Φροντίζετε για την ασφαλή στήριξη του σώματος σας και διατηρείτε πάντοτε την ισορροπία σας.** Αυτό σας επιτρέπει τον καλύτερο έλεγχο το ηλεκτρικού εργαλείου σε περιπτώσεις απροσδόκητων καταστάσεων.
- f) **Φοράτε κατάλληλη ενδυμασία εργασίας. Μη φοράτε φαδιά ρούχα ή κοσμήματα. Κρατάτε τα μαλλιά και τα ρούχα σας μακριά από κινούμενα εξαρτήματα.** Χαλαρή ενδυμασία, κοσμήματα και μακριά μαλλιά μπορεί να εμπλακούν στα κινούμενα εξαρτήματα.
- g) **Αν υπάρχει η δυνατότητα συναρμολόγησης διατάξεων αναρρόφησης ή συλλογής σκόνης, βεβαιωθείτε αν οι διατάξεις αυτές είναι συνδεδεμένες καθώς κι αν χρησιμοποιούνται σωστά.** Η χρήση μιας αναρρόφησης σκόνης μπορεί να ελαττώσει τον κίνδυνο που προκαλείται από τη σκόνη.
- h) **Μην εφισυχάτε σε μια λάθος ασφάλεια και μην αφήψάτε τους κανόνες ασφαλείας για τα ηλεκτρικά εργαλεία, ακόμα και όταν μετά από συχνή χρήση είστε εξοικειωμένοι με το εργαλείο.** Ένας απρόσεκτος χειρισμός μπορεί μέσα σε κλάσματα του δευτερολέπτου να οδηγήσει σε σοβαρούς τραυματισμούς.

## 4) ΧΡΗΣΗ ΚΙ ΕΠΙΜΕΛΗΣ ΧΕΙΡΙΣΜΟΣ ΤΩΝ ΗΛΕΚΤΡΙΚΩΝ ΕΡΓΑΛΕΙΩΝ

- a) **Μην υπερφορτώνετε το ηλεκτρικό εργαλείο. Χρησιμοποιείτε για την εκάστοτε εργασία σας το ηλεκτρικό εργαλείο που προορίζεται γι'αυτήν.** Με το κατάλληλο ηλεκτρικό εργαλείο εργάζεσθε καλύτερα και ασφαλέστερα στην αναφερόμενη περιοχή ισχύος.
- b) **Μη χρησιμοποιήσετε ποτέ ένα ηλεκτρικό εργαλείο του οποίου ο διακόπτης ON/OFF είναι χαλασμένος.** Ένα ηλεκτρικό εργαλείο το οποίο δεν μπορεί να τεθεί πλέον σε ή εκτός λειτουργίας είναι επικίνδυνο και πρέπει να επισκευαστεί.
- c) **Τραβήξτε το φως από την πρίζα και/ή απομακρύνετε μια αποσπώμενη μπαταρία, προτού εκτελέσετε ρυθμίσεις στο ηλεκτρικό εργαλείο, προτού αλλάξετε εξαρτήματα ή φυλάξετε το ηλεκτρικό εργαλείο.** Αυτά τα προληπτικά μέτρα ασφαλείας μειώνουν τον κίνδυνο από τυχόν αθέλητη εκκίνηση του ηλεκτρικού εργαλείου.
- d) **Διαφυλάγετε τα ηλεκτρικά εργαλεία που δε χρησιμοποιείτε μακριά από παιδιά. Μην αφήνετε άτομα που δεν είναι εξοικειωμένα με το ηλεκτρικό εργαλείο ή δεν έχουν διαβάσει αυτές τις οδηγίες χρήσης να το χρησιμοποιήσουν.** Τα ηλεκτρικά εργαλεία είναι επικίνδυνα όταν χρησιμοποιούνται από άπειρα πρόσωπα.
- e) **Φροντίζετε τα ηλεκτρικά εργαλεία και τα εξάρτημα με επιμέλεια. Ελέγχετε, αν τα κινούμενα εξαρτήματα λειτουργούν άψογα, χωρίς να μπλοκάρουν, ή μήπως έχουν σπάσει ή φθαρεί τυχόν εξαρτήματα τα οποία επηρεάζουν τον**

τρόπο λειτουργίας του ηλεκτρικού εργαλείου. Δώστε αυτά τα χαλασμένα εξαρτήματα για επισκευή πριν τα ξαναχρησιμοποιήσετε. Η κακή συντήρηση των ηλεκτρικών εργαλείων αποτελεί αιτία πολλών ατυχημάτων.

- f) **Διατηρείτε τα κοπτικά εργαλεία κοφτερά και καθαρά.** Τα κοπτικά εργαλεία που συντηρούνται με προσοχή μπορούν να οδηγηθούν εύκολα και να ελεγχθούν καλύτερα.
- g) **Χρησιμοποιείτε τα ηλεκτρικά εργαλεία, τα εξαρτήματα, τα χρησιμοποιήσιμα εργαλεία κτλ. σύμφωνα με τις παρούσες οδηγίες καθώς. Λαμβάνετε ταυτόχρονα υπόψη σας τις συνθήκες εργασίας και την υπό εκτέλεση εργασία.** Η χρήση του ηλεκτρικού εργαλείου για άλλες εκτός από τις προβλεπόμενες εργασίες μπορεί να δημιουργήσει επικίνδυνες καταστάσεις.
- h) **Διατηρείτε τις λαβές και επιφάνειες λαβής στεγνές, καθαρές και ελεύθερες από λάδι και γράσο.** Οι ολισθηρές λαβές και επιφάνειες λαβής δεν επιτρέπουν κανέναν ασφαλή χειρισμό και έλεγχο του ηλεκτρικού εργαλείου σε τυχόν απρόβλεπτες καταστάσεις.

## 5) SERVICE

- a) **Δίνετε το ηλεκτρικό σας εργαλείο για επισκευή από άριστα ειδικευμένο προσωπικό, μόνο με γνήσια ανταλλακτικά.** Έτσι εξασφαλίζεται η διατήρηση της ασφάλειας του ηλεκτρικού εργαλείου.

## ΥΠΟΔΕΙΞΙΣ ΑΣΦΑΛΕΙΑΣ ΓΙΑ ΠΙΣΤΟΛΕΤΑ

### ΓΕΝΙΚΑ

- Βεβαιωθείτε ότι η τάση του παρεχόμενου ρεύματος είναι ίδια με την τάση που υποδεικνύεται στην πινακίδα δεδομένων του εργαλείου (εργαλεία που φέρουν την ένδειξη 230V ή 240V μπορούν να συνδεθούν επίσης σε πρίζα 220V)
- Αυτό το εργαλείο δεν πρέπει να χρησιμοποιείται από άτομα κάτω των 16 ετών
- **Μην κατεργάζεστε υλικά που περιέχουν αμιάντο** (το αμιάντο θεωρείται σαν καρκινογόνο υλικό)
- Ποτέ μη χρησιμοποιείτε το εργαλείο όταν έχει υποστεί βλάβη το καλώδιο - το καλώδιο θα πρέπει να αντικατασταθεί από έναν εξειδικευμένο τεχνίτη
- **Πάντα να αποσυνδέεται την πρίζα από το ηλεκτρικό δίκτυο πριν κάνετε κάποια ρύθμιση ή αλλάξετε εξάρτημα**

### ΕΞΑΡΤΗΜΑΤΑ

- Η SKIL χρησιμοποιεί την τέλεια λειτουργία του εργαλείου μόνο όταν χρησιμοποιούνται αυθεντικά εξαρτήματα
- Χρησιμοποιείτε μόνο εξαρτήματα των οποίων ο ύψιστος επιτρεπτός αριθμός στροφών είναι τουλάχιστον τόσο υψηλός, όσο ο ύψιστος αριθμός στροφών χωρίς φορτίο του εργαλείου

### ΠΡΙΝ ΑΠΟ ΤΗ ΧΡΗΣΗ

- Χρησιμοποιείτε ασφαλείς, τελείως ξετυλιγμένες προεκτάσεις καλωδίου με χωρητικότητα 16 Amps
- Προφυλάξτε το εργαλείο από τυχόν φθορές από ξένα σώματα (βίδες, καρφιά ή άλλα) που ίσως είναι μέσα στο κομμάτι που θα δουλέψετε - αφαιρέστε τα πριν αρχίσετε την εργασία
- **Στερεώστε το κομμάτι εργασίας** (το κομμάτι εργασίας συγκρατείται καλύτερα με σφιγκτήρες ή σε μέγγενη παρά με το χέρι)

- **Χρησιμοποιήστε κατάλληλες ανιχνευτικές συσκευές για να εντοπίσετε τυχόν αφανείς τροφοδοτικές γραμμές ή συμβουλευτείτε σχετικά τις επιχειρήσεις παροχής ενέργειας** (επαφή με ηλεκτρικές γραμμές μπορεί να οδηγήσει σε πυρκαϊά ή σε ηλεκτροπληξία - βλάβες σε αγωγούς φωταερίου (γκαζίο) μπορεί να οδηγήσουν σε έκρηξη - η διείσδυση σ' ένα σωλήνα νερού προκαλεί υλικές ζημιές ή μπορεί να προκαλέσει ηλεκτροπληξία)
- Η σκόνη από υλικά όπως μπιονιές που περιέχουν μόλυβδο, ορισμένα είδη ξύλου, ανόργανα στοιχεία και μέταλλα μπορεί να είναι επικυβερτική (η επαφή ή η εισπνοή της σκόνης μπορεί να προκαλέσει αλλεργικές αντιδράσεις ή/και αναπνευστικές ασθένειες στον χειριστή ή σε άτομα που παρίστανται) - **να φοράτε προσωπίδα προστασίας από τη σκόνη και να εργάζεστε με συσκευή αφαίρεσης σκόνης όταν είναι δυνατό**
- Ορισμένα είδη σκόνης ταξινομούνται ως καρκινογόνα (όπως η σκόνη από τη δρυ ή την οξιά) ιδιαίτερα σε συνδυασμό με πρόσθετα συντήρησης ξύλου - **να φοράτε προσωπίδα προστασίας από τη σκόνη και να εργάζεστε με συσκευή αφαίρεσης σκόνης όταν είναι δυνατό**
- Ακολουθήστε τις σχετικές με σκόνη εθνικές διατάξεις για τα υλικά που θέλετε να εργαστείτε

### ΚΑΤΑ ΤΗ ΧΡΗΣΗ

- **Φοράτε ωτασπίδες** (η επίδραση του θορύβου μπορεί να οδηγήσει σε απώλεια της ακοής)
- **Να χρησιμοποιείτε τις πρόσθετες λαβές που συνοδεύουν το εργαλείο** (η απώλεια του ελέγχου μπορεί να οδηγήσει σε τραυματισμούς)
- **Να κρατάτε το ηλεκτρικό εργαλείο από τις μονωμένες επιφάνειες συγκράτησης όταν υπάρχει κίνδυνος το κοπτικό εξάρτημα να έρθει σε επαφή με μη ορατούς ηλεκτροφόρους αγωγούς ή το ίδιο το καλώδιό του** (η επαφή με έναν ηλεκτροφόρο αγωγό μπορεί να θέσει τα μεταλλικά μέρη του ηλεκτρικού εργαλείου επίσης υπό τάση και προκαλέσει έτσι ηλεκτροπληξία)
- Να κρατάτε πάντα το καλώδιο μακριά από τα κινούμενα μέρη του εργαλείου σας
- Σε περίπτωση ηλεκτρικής ή μηχανικής δυσλειτουργίας, σταματήστε αμέσως το εργαλείο και βγάλτε το από την πρίζα
- Σε περίπτωση που υποστεί βλάβη ή κοπεί το καλώδιο κατά την εργασία, μην αγγίζετε το καλώδιο, αλλά αποσυνδέστε αμέσως το φις από την πρίζα
- Σε περίπτωση που το τρυπάνι μπλοκάρει κατά την εργασία (προκαλώντας μια απότομη, επικίνδυνη αντίδραση), σβήστε αμέσως το εργαλείο
- Έχετε υπόψη σας τις δυνάμεις που δημιουργούνται σαν αποτέλεσμα του μπλοκαρίσματος του εργαλείου (κυρίως όταν τρυπάτε μέταλλο) - **να χρησιμοποιείτε πάντοτε την πλευρική χειρολαβή J** ⑤ και φροντίστε να στέκεστε σταθερά

### ΜΕΤΑ ΤΗ ΧΡΗΣΗ

- Όταν τελειώνετε την δουλειά σας και ακουμπάτε το εργαλείο στο πλάι, κλείστε τον διακόπτη και βεβαιωθείτε ότι όλα τα κινούμενα μέρη του έχουν σταματήσει εντελώς

## ΕΠΕΞΗΓΗΣΗ ΤΩΝ ΣΥΜΒΟΛΩΝ ΣΤΟ ΕΡΓΑΛΕΙΟ

- ② Διαβάστε το εγχειρίδιο οδηγιών πριν από τη χρήση
- ③ Διπλή μόνωση (δεν απαιτείται καλώδιο γείωσης)
- ④ Μην πετάτε το εργαλείο στον κάδο οικιακών απορριμμάτων

## ΧΡΗΣΗ

- Εκκίνηση/Σταση ⑥
- Ασφάλιση του διακόπτη για συνεχή λειτουργία ⑦
- Έλεγχος ταχύτητας για ομαλή εκκίνηση ⑧
- Έλεγχος της μέγιστης ταχύτητας ⑨
  - Με τον τροχίσκο Β ⑤ μπορεί να ρυθμιστεί η μέγιστη ταχύτητα από τον μηδέν στο μέγιστο αδιαβαθμητα
- Αλλαγή της κατεύθυνσης περιστροφής ⑩
  - αν η διακόπτης Α δεν είναι σωστά τοποθετημένη στη μία ή άλλη θέση δεν μπορεί να ενεργοποιηθεί
  - ! αλλάξτε την κατεύθυνση περιστροφής μόνο όταν το εργαλείο είναι τελείως σταματημένο**
- Επιλογή τρόπου λειτουργίας ⑪
  - πιέστε το κουμπί F για να απασφαλίσετε το διακόπτη E
  - περιστρέψτε το διακόπτη E στον επιθυμητό τρόπο λειτουργίας έως ότου ασφαλίσει
  - ! ξεκινήστε την εργασία, μόνο εφόσον ο διακόπτης E έχει ασφαλίσει**
    - 1 = κανονικά τρύπημα/βίδωμα
    - 2 = διάτρηση με κρούση
    - 3 = σμίλευση με περιστρεφόμενη σμίλη
    - 4 = σμίλευση με σταθερή σμίλη
  - ! επιλέξτε τον τρόπο λειτουργίας μόνο όταν το εργαλείο είναι σβησμένο και όταν το φως είναι βγαλμένο**
  - ο μηχανισμός περιστροφής ενεργοποιείται αν εφαρμόσετε μικρή πίεση στο εργαλείο όταν το άκρο του τρυπανιού είναι σε επαφή με το κατεργαζόμενο τεμάχιο
  - θα έχετε καλύτερα αποτελέσματα διάτρησης με περιστροφή αν εφαρμόσετε μόνο μία ελαφριά πίεση στο εργαλείο - δεν θα βελτιώσετε την απόδοσή του δραπάνου εφαρμόζοντας μεγαλύτερη πίεση στο εργαλείο
- Σμίλευση με περιστρεφόμενη σμίλη ⑫
  - ! απενεργοποιήστε το εργαλείο και βγάλτε το φως από την πρίζα**
  - επιλέξτε τη λειτουργία “περιστρεφόμενης” σμίλευσης
- Σμίλευση με σταθερή σμίλη ⑬
  - ! απενεργοποιήστε το εργαλείο και βγάλτε το φως από την πρίζα**
  - επιλέξτε τη λειτουργία “περιστρεφόμενης” σμίλευσης
  - βάλτε τη σμίλη στη θέση που επιθυμείτε
  - επιλέξτε τη λειτουργία “σταθερής” σμίλευσης
- Αλλαγή μύτων ⑭
  - ! καθαρίζετε και λιπαίνετε λίγο το SDS+ εξαρτήμα πριν τη τοποθέτησή του**
  - τραβήξτε το κέλυφος μανδάλωσης G προς τα πίσω και τοποθετήστε το εξαρτήμα στον SDS+ τσόκ στρέφοντας και πιέζοντας αυτό μέχρι να εμπλακεί
    - το εξαρτήμα ασφαλίζεται αυτόματα
    - ελέγχετε τη μανδάλωση τραβώντας από το εξαρτήμα

- αφαιρέστε το εξαρτήμα τραβώντας το κέλυφος μανδάλωσης G προς τα πίσω
  - ! το εξαρτήμα SDS+ πρέπει να κινείται ελεύθερο με αποτέλεσμα να υπάρχει έκκεντρο κίνηση κατά τις περιστροφές του εργαλείου χωρίς φορτίο - το εξαρτήμα κεντράρει αυτόματα κατά την διάνοιξη οπών χωρίς να υπάρχουν επιπτώσεις στην ακρίβεια της διάνοιξης οπών**
  - ! μη χρησιμοποιείτε μύτη/σμίλες με φθαρμένο στέλεχος**
- Για διάτρηση σε ξύλο, μέταλλα και πλαστικά υλικά καθώς και για βίδωμα χρησιμοποιείτε τον προσαρμογέα Η ⑮
- καθαρίζετε και λιπαίνετε λίγο τον σχετικό προσαρμογέα πριν τη τοποθέτησή του
  - τραβήξτε το κέλυφος μανδάλωσης G προς τα πίσω και τοποθετήστε τον σχετικό προσαρμογέα στον SDS+ τσόκ στρέφοντας και πιέζοντας αυτό μέχρι να εμπλακεί - ο προσαρμογέας ασφαλίζει από μόνος του
  - ελέγχετε τη μανδάλωση τραβώντας από τον σχετικό προσαρμογέα
  - ρυθμίστε τη διακόπτη E ⑤ στη κανονική διάτρηση (μόνο όταν το εργαλείο είναι σβησμένο και όταν το φως είναι βγαλμένο)
- Συμπλέκτης ασφαλείας
  - Σε περίπτωση που το εξάρτημα κολλήσει, διακόπτετε η μετάδοση της κίνησης στον άξονα (προκαλώντας έναν κροταλισμένο θορυβό)
    - σταματάτε αμέσως το εργαλείο
    - αφαιρέστε το σφινομένο εξάρτημα
    - ξεκινάτε πάλι το εργαλείο
- Πώς να ρυθμίσετε το βάθος του τρυπανιού ⑯
- Πώς να κρατάτε και να οδηγείτε το εργαλείο ⑰
  - ! ενώ εργάζεστε, να κρατάτε πάντα το εργαλείο από τη/τις λαβή/ές με γκρι χρώμα**
  - να χρησιμοποιείτε πάντοτε την πλευρική χειρολαβή J (μπορεί να ρυθμιστεί όπως δείχνει η εικόνα)
  - κρατάτε τις σχισμές αερισμού ακάλυπτες
  - μην ασκείτε υπέρμετρη πίεση στο εργαλείο, αφήστε το εργαλείο να δουλέψει για σας

## ΟΔΗΓΙΕΣ ΕΦΑΡΜΟΓΗΣ

- Χρησιμοποιείτε τη κατάλληλη μύτη ⑱
  - ! χρησιμοποιείτε μόνο αιχμηρά μύτη/σμίλες**
- Όταν κάνετε διάτρηση σε σιδηρούχα μέταλλα
  - προ-τρυπήστε μία τρύπα μικρότερη από την απαιτούμενη
  - λιπαίνετε τα εξαρτήματα του τρυπανιού τακτικά με λάδι
- Όταν έχετε να βιδώσετε μία βίδα στη γωνία ή σε άκρα ξύλου θα πρέπει πρώτα να τρυπήσετε με τρυπάνι για να αποφύγετε το “σκάσιμο” του ξύλου
- Για σωστό “καθαρό” τρύπημα στο ξύλο ⑲
- Τρύπημα χωρίς σκόνες σε τοίχους ⑳
- Τρύπημα χωρίς σκόνες σε οροφές ㉑
- Τρύπημα χωρίς γλιστρήματα σε πλακάκια ㉒
- Για περισσότερες συμβουλές δείτε [www.skil.com](http://www.skil.com)

## ΣΥΝΤΗΡΗΣΗ / ΣΕΡΒΙΣ

- Αυτό το εργαλείο δεν προορίζεται για επαγγελματική χρήση
- Κρατάτε πάντοτε το εργαλείο και το καλώδιο καθαρά (και ιδιαίτερα τις θυρίδες αερισμού K ⑤)
- ! **αφαιρέστε την πρίζα πριν το καθάρισμα**
- Αν παρ' όλες τις επιμελημένες μεθόδους κατασκευής κι ελέγχου το εργαλείο σταματήσει κάποτε να λειτουργεί, τότε η επισκευή του πρέπει να ανατεθεί σ' ένα εξουσιοδοτημένο συνεργείο για ηλεκτρικά εργαλεία της SKIL
- στείλτε το εργαλείο **χωρίς να το αποσυρμολογήσετε** μαζί με την απόδειξη αγοράς στο κατάστημα από το οποίο το αγοράσατε ή στον πλησιέστερο σταθμό τεχνικής εξυπηρέτησης της SKIL (θα βρείτε τις διευθύνσεις και το διάγραμμα συντήρησης του εργαλείου στην ιστοσελίδα [www.skil.com](http://www.skil.com))

## ΠΕΡΙΒΑΛΛΟΝ

- **Μην πετάτε τα ηλεκτρικά εργαλεία, εξαρτημάτα και συσκευασία στον κάδο οικιακών απορριμμάτων** (μόνο για τις χώρες της ΕΕ)
- σύμφωνα με την ευρωπαϊκή οδηγία 2012/19/ΕΚ περί ηλεκτρικών και ηλεκτρονικών συσκευών και την ενσωμάτωσή της στο εθνικό δίκαιο, τα ηλεκτρικά εργαλεία πρέπει να συλλέγονται ξεχωριστά και να επιστρέφονται για ανακύκλωση με τρόπο φιλικό προς το περιβάλλον
- το σύμβολο ④ θα σας το θυμίσει αυτό όταν έλθει η ώρα να πετάξετε τις

## ΘΟΥΒΟΣ / ΚΡΑΔΑΣΜΟΣ

- Μετρημένη σύμφωνα με EN 60745 η στάθμη ακουστικής πίεσης αυτού του εργαλείου ανέρχεται σε 91,0 dB(A) και η στάθμη ηχητικής ισχύος σε 102,0 dB(A) (κοινή απόκλιση: 3 dB), και ο κραδασμός σε \* m/s<sup>2</sup> (άθροισμα ανυμάτων τριών κατευθύνσεων - ανασφάλεια K = 1,5 m/s<sup>2</sup>)
- \* όταν διάτρησθε με περιστροφή σε μπετόν 12,3 m/s<sup>2</sup>
- \* όταν σμίλευσετε 10,9 m/s<sup>2</sup>
- Το επίπεδο παραγωγής κραδασμών έχει μετρηθεί σύμφωνα με μια τυποποιημένη δοκιμή που αναφέρεται στο πρότυπο EN 60745 - μπορεί να χρησιμοποιηθεί για τη σύγκριση ενός εργαλείου με ένα άλλο, καθώς και ως προκαταρκτική αξιολόγηση της έκθεσης στους κραδασμούς όταν το εργαλείο χρησιμοποιείται για τις εφαρμογές που αναφέρονται
- η χρήση του εργαλείου για διαφορετικές εφαρμογές ή με διαφορετικά ή κακοσυντηρημένα εξαρτήματα μπορεί να **αυξήσει** σημαντικά το επίπεδο έκθεσης
- όταν το εργαλείο είναι απενεργοποιημένο ή δουλεύει αλλά δεν εκτελεί την εργασία, το επίπεδο έκθεσης μπορεί να **μειωθεί** σημαντικά
- ! **προστατευτείτε από τις επιδράσεις των κραδασμών συντηρώντας σωστά το εργαλείο και τα εξαρτήματά του, διατηρώντας τα χέρια σας ζεστά και οργανώνοντας τον τρόπο εργασίας σας**

RO

## Ciocan rotopercutor

1763

## INTRODUCERE

- Această sculă este destinată pentru găurire de ciocan în beton, cărămidă și piatră, ca și pentru lucrări de dăltuire ușoare; pentru găurire în lemn, metal și material plastic, deasemenea pentru înșurubarea unor piese auxiliare specifice, în caz de utilizare a acestora
- Sistemul de ciocan al acestei scule funcționează superior față de orice alt fel de perforator tradițional, atunci când se perforează în beton
- Această sculă nu este destinată utilizării profesionale
- Această sculă este destinată utilizării în combinație cu toate sistemele SDS standard + piesele auxiliare
- Citiți și păstrați acest manual de instrucțiuni ②

## DATE TEHNICE ①

\*) Energia de percucie conform EPTA-Procedure 05/2009

## ELEMENTELE SCULEI ⑤

- A Întrerupător deschis/închis și controlul vitezei
- B Rotiță pentru reglajul vitezei maxime
- C Buton pentru închiderea întrerupătorului
- D Manetă pentru schimbarea direcției de rotație
- E Întrerupător pentru selectarea modului de funcționare
- F Buton de deblocare
- G Manșon de blocare
- H Adaptor + mandrină 13 mm
- J Mâner auxiliar
- K Fantele de ventilație
- L Sistem de reglare a adâncimii

## SIGURANȚA

### INSTRUCȚIUNI GENERALE DE SIGURANȚĂ PENTRU SCULE ELECTRICE

**⚠ AVERTISMENT** Citiți toate avertizările, instrucțiunile, ilustrațiile și specificațiile puse la dispoziție împreună cu această sculă electrică. Nerespectarea instrucțiunilor menționate mai jos poate duce la electrocutare, incendiu și/ sau vătămări corporale grave.

**Păstrați toate avertizările și instrucțiunile în vederea consultării ulterioare.**

Termenul de "sculă electrică" folosit în indicațiile de avertizare se referă la sculele electrice alimentate de la rețea (cu cablu de alimentare) și la sculele electrice cu acumulator (fără cablu de alimentare).

### 1) SIGURANȚA LA LOCUL DE MUNCĂ

- a) **Păstrați-vă locul de muncă curat și bine iluminat.**  
Dezordinea la locul de muncă sau existența unor sectoare de lucru neiluminate poate duce la accidente.
- b) **Nu folosiți mașina în medii cu pericol de explozie, acolo unde există lichide, gaze sau pulberi**

- inflamabile. Sculele electrice pot produce scânteii care să aprindă pulberile sau vaporii.
- c) **Nu permiteți accesul copiilor și al altor persoane în timpul lucrului cu mașina.** Dacă vi se distrage atenția puteți pierde controlul asupra mașinii.
- 2) SECURITATE ELECTRICĂ**
- a) **Ștecherul de racordare a mașinii trebuie să se potrivească cu priza de alimentare. Nu este permisă în nici-un caz modificarea ștecherului. Nu folosiți adaptoare pentru ștechere la mașinile legate la pământ.** Ștecherele nemodificate și prizele de curent adecvate acestora reduc riscul de electrocutare.
- b) **Evitați contactul corporal cu suprafețe legate la pământ ca țevi, radiatoare, plite electrice și frigidere.** Există un risc crescut de electrocutare atunci când corpul dv. este și el legat la pământ.
- c) **Nu lăsați mașina afară în ploaie sau în mediu umed.** Riscul de electrocutare crește atunci când într-o sculă electrică pătrunde apă.
- d) **Nu trageți niciodată mașina de cordonul de alimentare pentru a o transporta, a o atârna sau a scoate ștecherul din priza de curent. Feriți cordonul de alimentare de căldură, ulei, muchi ascuțiți sau de subansamble aflate în mișcare.** Un cordon de alimentare deteriorat sau înfășurat mărește riscul de electrocutare.
- e) **Atunci când lucrați cu scula electrică în aer liber, folosiți numai cordoane prelungitoare autorizate pentru exterior.** Întrebuințarea unui cordon prelungitor adecvat utilizării în aer liber reduce riscul de electrocutare.
- f) **Atunci când nu poate fi evitată utilizarea sculei electrice în mediu umed, folosiți un întrerupător de circuit cu împământare.** Folosirea unei întrerupător de circuit cu împământare reduce riscul de electrocutare.
- 3) SECURITATEA PERSOANELOR**
- a) **Fiți vigilenți, fiți atenți la ceea ce faceți și procedați rațional atunci când lucrați cu scula electrică. Nu folosiți mașina dacă sunteți obosiți sau vă aflați sub influența drogurilor, alcoolului sau a medicamentelor.** Un moment de neatenție în timpul lucrului cu mașina poate duce la răni grave.
- b) **Purtați echipament de protecție personală și întotdeauna ochelari de protecție.** Folosirea echipamentelor de protecție a persoanei ca mască de protecție împotriva prafului, încălțăminte antiderapantă, cască de protecție sau aparat de protecție auditivă, în funcție de tipul și domeniul de folosire al sculei electrice, reduce riscul rănilor.
- c) **Evitați o punere în funcțiune involuntară. Înainte de a introduce ștecherul în priză și/sau de a introduce acumulatorul în scula electrică, de a o ridica sau de a o transporta, asigurați-vă că aceasta este oprită.** Dacă atunci când transportați scula electrică țineți degetul pe întrerupător sau dacă porniți scula electrică înainte de a o racorda la rețeaua de curent, puteți provoca accidente.
- d) **Înainte de a pune mașina în funcțiune scoateți afară cheile reglabile și fixe.** O cheie reglabilă sau fixă, aflată într-o componentă de mașină care se rotește, poate provoca răni.

- e) **Nu vă supraapreciați. Asigurați-vă o poziție stabilă și păstrați-vă întotdeauna echilibrul.** Astfel veți putea controla mai bine mașina în situații neașteptate.
- f) **Purtați îmbrăcăminte de lucru adecvată. Nu purtați haine largi sau podoabe. Feriți părul și îmbrăcăminte de piesele aflate în mișcare.** Îmbrăcăminte largă, podoabe și părul lung pot fi prinse de piesele aflate în mișcare.
- g) **Dacă există posibilitatea montării de echipamente și instalații de aspirare și colectare a prafului, asigurați-vă că acestea sunt conectate și folosite corect.** Folosirea unei instalații de aspirare a prafului poate duce la reducerea poluării cu praf.
- h) **Nu vă lăsați amăgiți de ușurința în operare dobândită în urma folosirii frecvente a sculelor electrice și nu ignorați principiile de siguranță ale acestora.** Neglijența poate provoca, într-o fracțiune de secundă, vătămări corporale grave
- 4) MANEVRAȚI ȘI FOLOSIȚI CU GRIJĂ SCULELE ELECTRICE**
- a) **Nu suprasolicitați mașina. Folosiți scula electrică destinată executării lucrării dumneavoastră.** Cu scula electrică potrivită lucrați mai bine și mai sigur în domeniul de putere specificat.
- b) **Nu folosiți scula electrică dacă are întrerupătorul defect.** O sculă electrică, care nu mai poate fi pornită sau oprită este periculoasă și trebuie reparată.
- c) **Scoateți ștecherul afară din priză și/sau îndepărtați acumulatorul dacă este detașabil, să folosească mașina de a executa reglaje, a schimba accesorii sau a depozita scula electrică.** Această măsură preventivă reduce riscul unei porniri involuntare a mașinii.
- d) **În caz de nefolosire păstrați mașinile la loc inaccesibil copiilor. Nu permiteți persoanelor care nu sunt familiarizate cu mașina sau care n-au citit prezentele instrucțiuni, să folosească mașina.** Sculele electrice sunt periculoase atunci când sunt folosite de persoane fără experiență.
- e) **Întrețineți sculele electrice și accesoriile acestora. Controlați dacă componentele mobile funcționează corect și dacă nu se blochează, dacă nu există piese defecte sau deteriorate, care să afecteze funcționarea mașinii. Înainte de a repune în funcțiune mașina, duceți-o la un atelier de asistență service pentru repararea sau înlocuirea pieselor deteriorate.** Multe accidente s-au datorat întreținerii defectuoase a sculelor electrice.
- f) **Păstrați accesoriile bine ascuțite și curate.** Accesoriile atent întreținute, cu muchi tăietoare bine ascuțite se blochează mai greu și pot fi conduse mai ușor.
- g) **Folosiți sculele electrice, accesoriile, dispozitivele de lucru etc. conform prezentelor instrucțiuni. Țineți seama de condițiile de lucru și de lucrarea care trebuie executată.** Întrebuințarea unor scule electrice destinate altor utilizări decât cele preconizate, poate duce la situații periculoase.
- h) **Mentțineți mânerul și zonele de prindere uscate, curate și ferii-le de ulei și unsoare.** Mânerul și zonele de prindere alunecoase nu permit manevrarea și controlul sigur al sculei electrice în situații neașteptate.



## 5) SERVICIU

- a) **Permiteți repararea mașinii dumneavoastră numai de către un specialist calificat și numai cu piese de schimb originale.** În acest mod este garantată menținerea siguranței de exploatare a mașinii.

## INSTRUCȚIUNI DE SIGURANȚĂ PENTRU CIOCANUL ROTOPERCUTOR

### GENERALITĂȚI

- Verificați întotdeauna dacă tensiunea de alimentare este aceeași cu tensiunea indicată pe plăcuța de identificare a sculei (sculele cu o specificație de 230V și 240V pot fi conectate și la alimentarea de 220V)
- Această sculă nu trebuie să fie folosit de persoane sub 16 ani
- **Nu prelucrați materiale care conțin azbest** (azbestul este considerat a fi cancerigen)
- Nu folosiți scula atunci când cordonul sau prezintă defecțiuni; înlocuirea lor se va efectua de o persoană autorizată
- **Decuplați întotdeauna ștecherul de la sursa de alimentare înainte de a face o reglare sau o schimbare de accesoriu**

### ACCESORII

- SKIL garantează funcționarea perfectă a aparatului numai dacă sunt folosite accesoriile originale
- Folosiți numai accesoriile a căror turație admisă este cel puțin egală cu turația maximă la mers în gol a aparatului

### ÎNAINTEA UTILIZĂRII

- Folosiți cabluri de prelungire derulate complet, protejate/izolate, cu o capacitate de 16 amperi
- Evitați daunele provocate de șuruburi, țiște și alte elemente din timpul lucrului; înlăturați aceste elemente înainte de a trece la acțiune
- **Securizați piesa de lucru** (o piesă de lucru fixată cu clame sau într-o menghină este ținută mult mai în siguranță decât manual)
- **Folosiți detectoare adecvate pentru depistarea conductelor și conductorilor de alimentare sau apelați în acest scop la întreprinderea locală de furnizare a utilităților** (contactul cu conductorii electrici poate provoca incendii sau electrocutare; deteriorarea unei conducte de gaz poate duce la explozii; spargerea unei conducte de apă provoacă pagube materiale sau poate provoca electrocutare)
- Praful rezultat din materiale precum vopseaua care conține plumb, unele specii de lemn, minerale și metale poate fi periculos (contactul cu praful sau inhalarea acestuia poate provoca reacții alergice și/sau afecțiuni respiratorii operatorului sau persoanelor care stau în apropiere); **purtați o mască de praf și lucrați cu un dispozitiv de extragere a prafului când poate fi conectat**
- Anumite tipuri de praf sunt clasificate ca fiind cancerigene (cum ar fi praful de stejar și fag) în special în combinație cu aditivi pentru tratarea lemnului; **purtați o mască de praf și lucrați cu un dispozitiv de extragere a prafului când poate fi conectat**
- Respectați reglementările naționale referitoare la aspirația prafului în funcție de materialele de lucru folosite

## ÎN TIMPUL FUNCȚIONĂRII

- **Purtați protecții auditive** (zgomotul poate provoca pierderea auzului)
- **Folosiți mânerul suplimentare din setul de livrare** (pierderea controlului poate duce la vătămări corporale)
- **Apucați scula electrică de suprafețele de prindere izolate atunci când executați operații în cursul cărora accesoriul poate atinge fire electrice ascunse sau propriul cablu de alimentare** (contactul un cablu aflat sub tensiune poate pune sub tensiune și componentele metalice ale sculei electrice și duce la electrocutare)
- Feriți-vă întotdeauna cordonul de părțile în mișcare ale sculei
- În cazul unor defecțiuni electrice sau mecanice deconectați imediat instrumentul și scoateți șnurul din priză
- În cazul în care cordonul este deteriorat sau secționat în timpul lucrului, nu atingeți cordonul, dar deconectați imediat de la priză
- Dacă burghiul se blochează brusc (ceea ce cauzează o reacție periculoasă) trebuie să opriți imediat aparatul
- Țineți socoteala de forțele care se creează ca urmare a blocării (mai ales la găurirea în metal); **folosiți întotdeauna mânerul auxiliar J** ⑤ și luați o poziție stabilă

### DUPĂ UTILIZARE

- Când puneți instrumentul la o parte, deconectați motorul și asigurați-vă că toate elementele mobile și-au oprit complet mișcarea

### EXPLICAȚIA SIMBOLURILOR DE PE INSTRUMENT

- ② Citiți manual de instrucțiuni înainte de utilizare
- ③ Izolație dublă (nu este necesar fir de împământare)
- ④ Nu aruncați instrumentul direct la pubelele de gunoi

## UTILIZAREA

- Porniți/opriți ⑥
- Întrerupător-blocare pentru uz continuu ⑦
- Control de viteză pentru start încet ⑧
- Reglajul vitezei maxime ⑨
- Potențiometrul rotativ B ⑤ asigură reglajul continuu al vitezei maxime de la minimum la maximum
- Schimbarea direcției de rotație ⑩
  - dacă pârghia nu se așază în poziția corectă stânga/dreapta, întrerupător A nu va putea fi acționat
- ! **schimbați direcția de rotație abia atunci când aparatul este complet oprit**
- Selectarea modului de funcționare ⑪
  - apăsați butonul F pentru a debloca comutatorul E
  - rotiți întrerupătorul E în modul de funcționare dorit până când se autoblochează
- ! **începeți să lucrați numai când comutatorul E este blocat**
  - 1 = găurire normală/înșurubare
  - 2 = găurire cu percuție
  - 3 = dăltuire cu daltă rotativă
  - 4 = dăltuire cu daltă fixă
- ! **selectați modul de funcționare numai când scula este oprită și deconectată de la priză**
  - mecanismul de ciocan este pus în funcțiune prin apăsarea ușoară a sculei, în momentul în care vârful burghiului se găsește în contact cu piesa de prelucrat

- cele mai bune rezultate de găurire de ciocan pot fi obținute numai prin ușoara apăsare a sculei; prestațiile de perforare nu vor fi mai bune prin apăsarea mai puternică a sculei
  - Dălțuire cu daltă rotativă <sup>12</sup>
    - ! **opriți scula și scoateți-l din priză**
    - selectați modul de dălțuire rotativă
  - Dălțuire cu daltă fixă <sup>13</sup>
    - ! **opriți scula și scoateți-l din priză**
    - selectați modul de dălțuire rotativă
    - așezați daltă în poziția dorită
    - selectați modul de dălțuire fixă
  - Înlocuirea biți <sup>14</sup>
    - ! **Înainte de a insera, curățați și ungeți ușor SDS+ accesoriile**
    - trageți înapoi manșonul de blocare G și inserați accesoriul în SDS+ mandrină; în timp ce-l rotiți, împingeți până ce acesta s-a angajat; accesoriul se blochează automat în poziție
    - trageți de accesoriu pentru a verifica dacă acesta s-a blocat corect
    - îndepărtați accesoriul prin tragerea înapoi a manșonului de blocare G
    - ! **SDS+ accesoriul necesită libertate de mișcare, ceea ce cauzează excentricitate atunci când scula funcționează în gol; oricum accesoriul se centrează automat în timpul prelucrării, fără să afecteze precizia de găurire**
    - ! **nu folosiți biți/dălți cu coadă deteriorată**
- Pentru găurire în lemn, metal și material plastic, cât și pentru înșurubare, folosiți adaptorul H <sup>15</sup>
- înainte de a insera, curățați și ungeți ușor adaptorul
  - trageți înapoi manșonul de blocare G și inserați adaptorul în SDS+ mandrină; în timp ce-l rotiți, împingeți până ce acesta s-a angajat; adaptorul se blochează automat în poziție
  - trageți de adaptor pentru a verifica dacă acesta s-a blocat corect
  - alegeți întrerupătorul E <sup>5</sup> pentru găurire normală (**se acționează numai atunci când scula este oprită și deconectată de la priză**)
- Cuplaj de siguranță
- Întrepe transmisia la fus, în cazul în care se blochează accesoriul (ceea ce cauzează un zgomot caracteristic)
- întrerupeți imediat scula
  - înlăturați accesoriul blocată
  - puneți scula din nou în funcțiune
- Reglajul adâncimii de găurire <sup>16</sup>
  - Mânuirea și dirijarea sculei <sup>17</sup>
    - ! **în timp ce lucrați, țineți întotdeauna scula de zone (zonele) de prindere colorate gri**
    - **folosiți întotdeauna mânerul auxiliar J** (care trebuie să fie ajustat așa cum apare în schemă)
    - păstrați deschise fantele de ventilație
    - nu exercitați prea multă presiune asupra aparatului; lăsați aparatul să funcționeze

## SFATURI PENTRU UTILIZARE

- Folosiți biți juste <sup>18</sup>
  - ! **folosiți numai biți/dălți ascuțiți**

- La găurirea în metale feroase
  - când este necesară găurirea la un diametru mare, efectuați întâi o găurire intermediară, la diametru mai mic
  - ungeți cu ulei din când în când burghiul
- Atunci când doriți să suciți un șurub la marginea, colțul, capătul lemnului, se recomandă să faceți o gaură cu instrumentul de găurit pentru a evita crăparea lemnului
- Găurire așchiată în lemn <sup>19</sup>
- Găurire în ziduri fara praf <sup>20</sup>
- Găurire în plăfoane fara praf <sup>21</sup>
- Găurire în tige fara a aluneca <sup>22</sup>
- A se vedea alte recomandări la [www.skil.com](http://www.skil.com)

## ÎNȚREȚINERE / SERVICE

- Această sculă nu este destinată utilizării profesionale
- Păstrați aparatul și cablul curat (mai ales fantele de ventilație K <sup>5</sup>)
  - ! **deconectați de la priză înainte de a curăța**
- Dacă în ciuda procedeelelor de fabricație și control riguroase scula are totuși o pană, repararea acesteia se va face numai la un atelier de asistență service autorizat pentru scule electrice SKIL
  - trimiteți scula **în totalitatea lui** cu bonul de cumpărare la distribuitorul sau la centrul de service SKIL cel mai apropiat (adrese și diagrame de service se găsesc la [www.skil.com](http://www.skil.com))

## MEDIUL

- **Nu aruncați sculele electrice, accesoriile sau ambalajele direct la pubelele de gunoi** (numai pentru țările din Comunitatea Europeană)
  - Directiva Europeană 2012/19/EC face referire la modul de aruncare a echipamentelor electrice și electronice și modul de aplicare a normelor în conformitate cu legislația națională; sculele electrice în momentul în care au atins un grad avansat de uzură și trebuie aruncate, ele trebuie colectate separat și reciclate într-un mod ce respectă normele de protecție a mediului înconjurător
  - simbolul <sup>4</sup> vă va reaminti acest lucru

## ZGOMOT / VIBRAȚII

- Măsurat în conformitate cu EN 60745 nivelul de presiune a sunetului generat de acest instrument este de 91,0 dB(A) iar nivelul de putere a sunetului 102,0 dB(A) (abaterea standard: 3 dB), iar nivelul vibrațiilor \* m/s<sup>2</sup> (suma vectorială a trei direcții; incertitudine K = 1,5 m/s<sup>2</sup>) \* când găuriți de ciocan în beton 12,3 m/s<sup>2</sup> \* când dălțuiți 10,9 m/s<sup>2</sup>
- Nivelul emisiilor de vibrații a fost măsurat în conformitate cu un test standardizat precizat în EN 60745; poate fi folosit pentru a compara o sculă cu alta și ca evaluare preliminară a expunerii la vibrații atunci când folosiți scula pentru aplicațiile menționate
  - utilizarea sculei pentru aplicații diferite sau cu accesoriile diferite și prost întreținute poate **crește** semnificativ nivelul de expunere
  - momentele în care scula este oprită sau când funcționează dar nu execută nicio lucrare, pot **reduce** semnificativ nivelul de expunere

**!** **protejați-vă împotriva efectelor vibrațiilor prin întreținerea sculei și a accesoriilor sale, păstrând mâinile calde și organizând procesele de lucru**

**BG**

## Перфоратор

1763

### УВОД

- Този инструмент е предназначен за ударно пробиване с перфоратор на бетон, тухла и камък, както и за използване като леко длето; за пробиване на дърво, метал и пластмаса, както и за завиване на винтове, трябва да се използват специални накрайници
- Ударната система на този инструмент превъзхожда всички традиционни пробивни системи с храпов механизъм при пробиването на бетон
- Този инструмент не е предназначен за професионална употреба
- Този инструмент е проектиран за работа в комбинация с всички стандартни SDS+ накрайници
- Прочетете и пазете това ръководство за работа ②

### ТЕХНИЧЕСКИ ДАННИ ①

\*) Енергия на единичен удар съгласно EPTA-Procedure 05/2009

### ЕЛЕМЕНТИ НА ИНСТРУМЕНТА ⑤

- A Спусък за включване/изключване и регулиране на скоростта
- B Диска за регулиране на максимална скорост
- C Бутон за застопоряване на включващия спусък
- D Лост за обръщане на посоката на въртене
- E Превключвател за избор на режим на работа
- F Деблокиращ бутон
- G Затягаща втулка
- H Адаптер + 13 мм патрон
- J Помощна ръчка
- K Вентилационните отвори
- L Дълбочинен ограничител

### БЕЗОПАСНОСТ

#### ОБЩИ УКАЗАНИЯ ЗА БЕЗОПАСНА РАБОТА С ЕЛЕКТРОИНСТРУМЕНТИ

**!** **ВНИМАНИЕ** Прочетете всички предупреждения, указания, запознайте се с фигурите и техническите характеристики, приложени към електроинструмента. Пропуски при спазването на указанията по-долу могат да предизвикат токов удар и/или тежки травми.

**Запазете всички предупреждения и указания за ползване в бъдеще.**

Използваният по-долу термин "електроинструмент" се отнася до захранвани от електрическата мрежа електроинструменти (със захранващ кабел) и до захранвани от акумулаторна батерия електроинструменти (без захранващ кабел).

#### 1) БЕЗОПАСНОСТ НА РАБОТНОТО МЯСТО

- a) **Поддържайте работното си място чисто и подредено.** Безпорядъкът или недостатъчното осветление могат да спомогнат за възникването на трудова злополука.
- b) **Не работете с електроинструмента в среда с повишена опасност от възникване на експлозия, в близост до леснозапалими течности, газове или прахообразни материали.** По време на работа в електроинструментите се отделят искри, които могат да възпламенят прахообразни материали или пари.
- c) **Дръжте деца и странични лица на безопасно разстояние, докато работите с електроинструмента.** Ако вниманието Ви бъде отклонено, може да загубите контрола над електроинструмента.

#### 2) БЕЗОПАСНОСТ ПРИ РАБОТА С ЕЛЕКТРИЧЕСКИ ТОК

- a) **Щепселът на електроинструмента трябва да е подходящ за ползвания контакт.** В никакъв случай не се допуска изменение на конструкцията на щепсела. Когато работите със занулени електроуреди, не използвайте адаптери за щепсела. Ползването на оригинални щепсели и контакти намалява риска от възникване на токов удар.
- b) **Избягвайте допира на тялото Ви до заземени тела, напр. тръби, отоплителни уреди, печии и хладилници.** Когато тялото Ви е заземено, рискът от възникване на токов удар е по-голям.
- c) **Предпазвайте електроинструмента си от дъжд и влага.** Проникването на вода в електроинструмента повишава опасността от токов удар.
- d) **Не използвайте захранващия кабел за цели, за които той не е предвиден, напр. за да носите електроинструмента за кабела или да извадите щепсела от контакта.** Предпазвайте кабела от нагряване, омасляване, допир до остри ръбове или до подвижни звена на машини. Повредени или усукани кабели увеличават риска от възникване на токов удар.
- e) **Когато работите с електроинструмент навън, използвайте само удължителни кабели, предназначени за работа на открито.** Използването на удължител, предназначен за работа на открито, намалява риска от възникване на токов удар.
- f) **Ако се налага използването на електроинструмента във влажна среда, използвайте предпазен прекъсвач за утечни токове.** Използването на предпазен прекъсвач за утечни токове намалява опасността от възникване на токов удар.

#### 3) БЕЗОПАСЕН НАЧИН НА РАБОТА

- a) **Бъдете концентрирани, следете внимателно действията си и постъпвайте предпазливо и разумно.** Не използвайте електроинструмента, когато сте уморени или под влиянието на наркотични вещества, алкохол или упойващи лекарства. Един миг разсеяност при работа с

- електроинструмент може да има за последствие изключително тежки наранявания.
- b) **Работете с предпазващо работно облекло и винаги с предпазни очила.** Носенето на подходящи за ползвания електроинструмент и извършваната дейност лични предпазни средства, като дихателна маска, здрави плътнотзатоворени обувки със стабилен грайфер, защитна каска или шумозаглушители (антифони), намалява риска от възникване на трудова злополука.
  - c) **Избягвайте опасността от включване на електроинструмента по невнимание. Преди да включите щепсела в захранващата мрежа или да поставите акумулаторната батерия, се уверявайте, че пусковият прекъсвач е в положение изключено.** Ако, когато носите електроинструмента, държите пръста си върху пусковия прекъсвач, или ако подавате захранващо напрежение на електроинструмента, когато е включен, съществува опасност от възникване на трудова злополука.
  - d) **Преди да включите електроинструмента, се уверявайте, че сте отстранили от него всички помощни инструменти и гаечни ключове.** Помощен инструмент, забравен на въртящо се звено, може да причини травми.
  - e) **Не надценявайте възможностите си. Работете в стабилно положение на тялото и във всеки момент поддържайте равновесие.** Така ще можете да контролирате електроинструмента по-добре и по-безопасно, ако възникне неочаквана ситуация.
  - f) **Работете с подходящо облекло. Не работете с широки дрехи или украшения. Дрънкетата и дрехите си на безопасно разстояние от движещи се звена.** Широките дрехи, украшенията, дългите коси могат да бъдат захванати и увлечени от въртящи се звена.
  - g) **Ако е възможно използването на външна аспирационна система, се уверявайте, че тя е включена и функционира изправно.** Използването на аспирационна система намалява рисковете, дължащи се на отделящата се при работа прах.
  - h) **Доброто познаване на електроинструмента вследствие на честа работа с него не е повод за намаляване на вниманието и пренебрегване на мерките за безопасност.** Едно невнимателно действие може да предизвика тежки наранявания само за части от секундата.
- #### 4) ВНИМАТЕЛНО ОТНОШЕНИЕ КЪМ ЕЛЕКТРОИНСТРУМЕНТИ
- a) **Не претоварвайте електроинструмента.** Използвайте електроинструментите само съобразно тяхното предназначение. Ще работите по-добре и по-безопасно, когато използвате подходящия електроинструмент в зададения от производителя диапазон на натоварване.
  - b) **Не използвайте електроинструмент, чито пусков прекъсвач е повреден.** Електроинструмент, който не може да бъде изключван и включван по предвидения от производителя начин, е опасен и трябва да бъде ремонтиран.
  - c) **Преди да извършвате каквото и да е дейности по електроинструмента, напр. настройване, смяна на работен инструмент, както и когато го прибирате, изключвайте щепсела от контакта, респ. изваждайте батерията, ако е възможно.** Тази мярка премахва опасността от задействане на електроинструмента по невнимание.
  - d) **Съхранявайте електроинструментите на места, където не могат да бъдат достигнати от деца. Не допускате те да бъдат използвани от лица, които не са запознати с начина на работа с тях и не са прочели тези инструкции.** Когато са в ръцете на неопитни потребители, електроинструментите могат да бъдат изключително опасни.
  - e) **Поддържайте добре електроинструментите си и аксесоарите им. Проверявайте дали подвижните звена функционират безукорно, дали не заклинват, дали има счупени или повредени детайли, които нарушават или изменят функциите на електроинструмента. Преди да използвате електроинструмента, се погрижете повредените детайли да бъдат ремонтирани.** Много от трудовете злополуки се дължат на недобре поддържани електроинструменти и уреди.
  - f) **Поддържайте режещите инструменти винаги добре заточени и чисти.** Добре поддържаните режещи инструменти с остри ръбове оказват по-малко съпротивление и се водят по-леко.
  - g) **Използвайте електроинструментите, допълнителните приспособления, работните инструменти и т.н., съобразно инструкциите на производителя. С дейности и процедури, есентуално предписани от различни нормативни документи.** Използването на електроинструменти за различни от предвидените от производителя приложения повишава опасността от възникване на трудови злополуки.
  - h) **Поддържайте дръжките и ръкохватките сухи, чисти и неомаслени.** Хлъзгавите дръжки и ръкохватки не позволяват безопасната работа и доброто контролиране на електроинструмента при възникване на неочаквана ситуация.
- #### 5) ПОДДЪРЖАНЕ
- a) **Допускате ремонтът на електроинструментите Ви да се извършва само от квалифицирани специалисти и само с използването на оригинални резервни части.** По този начин се гарантира съхраняване на безопасността на електроинструмента.

#### УКАЗАНИЯ ЗА БЕЗОПАСНА РАБОТА ЗА ПЕРФОРАТОР

##### ОБЩИ

- Преди включване на инструмента в контакта се уверете, че мрежовото напрежение отговаря на напрежението, обозначено на фирмената табелка на инструмента (инструменти с номинално напрежение 230V или 240V могат да бъдат включени и към захранване с напрежение 220V)

- Машината не трябва да се използва от лица под 16 години
- **Не обработвайте азбестосъдържащ материал** (азбестът е канцерогенен)
- Не използвайте инструмента, когато е повреден шуруът; замената му следва да се извърши от квалифицирано лице
- **Преди извършването на канвата и да било настройка или смяна на принадлежност винаги изваждайте щепсела от контакта на електрозахранването**

#### ДОПЪЛНИТЕЛНИ АКСЕСОАРИ

- SKIL може да осигури безаварийна работа на електроинструмента само ако се използва оригинални допълнителни приспособления
- Използвайте само принадлежности, чиято допустима скорост на въртене е по-голяма или равна на максималната скорост на въртене на празен ход на електроинструмента

#### ПРЕДИ УПОТРЕБА

- Използвайте напълно развити и обезопасени разклонители с капацитет 16 А
- Избягвайте повреди, които могат да бъдат причинени от винтове, гвоздеи и други метални елементи в обработвания детайл; отстранете ги преди да започнете работа
- **Обезопасете работния материал** (материал, затегнат в затягащ инструмент или в менгеме е по-устойчив, отколкото ако се държи в ръка)
- **За да откриете скрити под повърхността електро-, водо- и газопроводи, използвайте подходящи уреди или се обърнете към местното снабдително дружество** (прекъсването на електропроводници под напрежение може да предизвика пожар и/или токов удар; увреждането на газопровод може да предизвика експлозия; засягането на водопровод може да предизвика значителни материални щети и/или токов удар)
- Прахът от някои материали, като например съдържаща олово боя, някои видове дървесина, минерали и метали може да бъде вреден (контакт или вдишване на такъв прах могат да причинят алергични реакции и/или респираторни заболявания на оператора или стоящите наблизо лица); **използвайте противопрахова масна и работете с аспирираща прахта устройство, когато такова може да бъде свързано**
- Определени видове прах са класифицирани като карциногенни (като прах от дъб и бук) особено когато са комбинирани с добавки за подобряване на състоянието на дървесината; **използвайте противопрахова масна и работете с аспирираща прахта устройство, когато такова може да бъде свързано**
- Следвайте дефинираните по БДС изисквания относно запрашеността за материалите, които желаете да обработвате

#### ПРИ УПОТРЕБА

- **Работете с шумозаглушители** (въздействието на шум може да предизвика загуба на слух)

- **Използвайте включените в окомплектовката спомагателни ръкохватки** (при загуба на контрол над инструмента може да се стигне до травми)
- **Когато изпълнявате дейности, при които работният инструмент може да попадне на скрити под повърхността проводници под напрежение или да засегне захранващия кабел, внимавайте да допирате електроинструмента само до изолираните ръкохватки** (при контакт с проводник под напрежение то се предава на металните детайли на електроинструмента и това може да предизвика токов удар)
- Винаги отвеждайте захранващият кабел далеч от движещите се звена на електроинструмента
- В случай на електрическа или механична неизправност, изключете незабавно апарата и прекъснете контакта с електрическата мрежа
- Ако кабелът се повреди ил среже по време на работа, не го докосвайте, веднага изключете щепсела, никога не използвайте инструмента с повреден кабел
- Ако свредлото на пробивната инструмент неочаквано заседне (предизвиквайки внезапно, опасно противодействие), незабавно изключете електроинструмента
- Имайте предвид силите, които възникват в резултат на засядане на свредлото (особено при пробиване на метали); **винаги използвайте спомагателна ръчка J** <sup>⑤</sup> и поддържайте устойчиво положение на тялото

#### СЛЕД РАБОТА

- Преди да приберете инструмента, изключете мотора и се уверете, че всички движещи се части са преустановили движението

#### ОБЪСНЕНИЕ НА СИМВОЛИТЕ ПО ИНСТРУМЕНТА

- ② Преди употреба прочетете ръководството с указания
- ③ Двойна изолация (не се изисква кабел за заземяване)
- ④ Не изхвърляйте инструмента заедно с битови отпадъци

#### УПОТРЕБА

- Включване/изключване <sup>⑥</sup>
- Застопоряване на включващия спусък за непрекъсната работа <sup>⑦</sup>
- Регулиране на скоростта за плавно пускане в ход <sup>⑧</sup>
- Управление на максималната скорост <sup>⑨</sup>
- С диска В <sup>⑤</sup> максималната скорост може да се регулира плавно от минимална до максимална стойност
- Обръщане на посоката на въртене <sup>⑩</sup>
  - ако лостът не е точно в положение включване/ изключване, спусъкът А не може да бъде активиран
- ! **обръщайте посоката на въртене само когато електроинструментът е напълно спрял**
- Избор на режим на работа <sup>⑪</sup>
  - натиснете бутон F, за да деблокирате превключвателя E
  - включете превключвател E на желания работен режим, докато блокира с шракване

**! започвайте работа само когато превключателят Е е блокиран**

- 1 = нормално пробиване/завиване на винтове
- 2 = ударно пробиване
- 3 = изсичане с въртящ се секач
- 4 = изсичане с неподвижен секач

**! избирайте режим на работа само при изключен инструмент и щепселът е изключен от контакта**

- ударният механизъм се задейства с леко натискане на инструмента, когато свредлото е в контакт с работната повърхност
- най-добро ударно пробиване с перфоратор се получава само с лек натиск на инструмента; скоростта на пробиване няма да се увеличи, ако се натиска по-силно инструмента
- Изсичане с въртящ се секач ⑫
- ! изключете инструмента и извадете захранващия кабел**
- изберете “въртящ” режим на изсичане
- Изсичане с неподвижен секач ⑬
- ! изключете инструмента и извадете захранващия кабел**
- изберете “въртящ” режим на изсичане
- поставете секача в желаната позиция
- изберете “неподвижен” режим на изсичане
- Смяна на бит ⑭

**! почистете и леко смажете найкрайника SDS+ преди поставянето му**

- изтеглете назад затягащата втулка G и пхнете найкрайника в затягащия патрон SDS+, като го въртите и натискате докато зацепи; найкрайникът се захваща автоматично в нужното положение
- дръпнете найкрайника, за да проверите дали е захванат правилно
- свалете найкрайника като изтеглите назад затягащата втулка G

**! найкрайникът SDS+ изисква свобода на движението, която предизвиква ексцентричност, когато инструментът не е натоварен; при работа обаче найкрайникът се центрира автоматично без да нарушава точността на пробиване**

**! не използвайте бит/длета с повредена опашка**

За пробиване на дърво, метал и пластмаса, както и за завиване на винтове трябва да се използват адаптера H ⑮

- почистете и леко смажете адаптера преди поставянето ѝ
- изтеглете назад затягащата втулка G и пхнете адаптера в SDS+ патрона, като въртите и натискате докато зацепи; адаптера се захваща автоматично в нужното положение
- дръпнете адаптера, за да проверите дали е захваната правилно
- поставете превключателя Е ⑤ в положение “нормално пробиване” (**работи само при изключен инструмент и щепселът е изключен от контакта**)
- Предпазна муфта
- Прекъсва задвижването на вретеното, ако найкрайникът заеде (предизвиквайки тракане)
- незабавно изключете инструмента

- свалете заялия найкрайник
- включете инструмента отново
- Регулиране на дълбочината на пробиване ⑯
- Държане и насочване на инструмента ⑰
- ! по време на работа, винаги дръжте уреда за оцветената(ите) в сиво зона(и) за хващане**
- винаги използвайте спомагателна ръчка J (наглася се както е показано на илюстрацията)
- оставайте вентилационните отвори непокрити
- не прилагайте твърде голям натиск върху електроинструмента; нека той да свърши работата вместо вас

## УКАЗАНИЯ ЗА РАБОТА

- Използвайте подходящи бит ⑱
- ! използвайте само остри бит/длета**
- При пробиване на цветни метали
  - ако ви трябва голям отвор, първо пробийте малък
  - от време на време смазвайте свредлата с машинно масло
- При завиване на винт в близост до ръба на дървен детайл първо пробийте отвор, за да избегнете откътрване на дървото
- Пробиване в дърво без откътрване на ръбчето ⑲
- Безпрахово пробиване в стени ⑳
- Безпрахово пробиване в тавани ㉑
- Пробиване на керамични плочки без плъзгане на свредлото ㉒
- За повече полезни указания вж. [www.skil.com](http://www.skil.com)

## ПОДДРЪЖКА / СЕРВИЗ

- Този инструмент не е предназначен за професионална употреба
- Поддържайте винаги електроинструмента и захранващия кабел чисти (особено вентилационните отвори K ⑥)
- ! преди почистване изключете щепсела**
- Ако въпреки прецизното производство и внимателно изпитване възникне повреда, инструмента да се занесе за ремонт в оторизиран сервиз за електроинструменти на SKIL
  - занесете инструмента в неразглобен вид заедно с доказателство за покупката му в търговския обект, откъдето сте го закупили, или в най-близкия сервиз на SKIL (адресите, както и схемата за сервизно обслужване на електроинструмента, можете да намерите на адрес [www.skil.com](http://www.skil.com))

## ОПАЗВАНЕ НА ОКОЛНАТА СРЕДА

- **Не изхвърляйте електроуредите, приспособленията и опаконните заедно с битови отпадъци** (само за страни от ЕС)
  - съобразно Директивата на ЕС 2012/19/EG относно износени електрически и електронни уреди и отразяването ѝ в националното законодателство износените електроуреди следва да се събират отделно и да се предават за рециклиране според изискванията за опазване на околната среда

- за това указва символът ④ тогава когато трябва да бъдат унищожени

## ШУМ / ВИБРАЦИИ

- Измерено в съответствие с EN 60745 нивото на звуково налягане на този инструмент е 91,0 dB(A) а нивото на звукова мощност е 102,0 dB(A) (стандартно отклонение: 3 dB), а вибрациите са \* м/с<sup>2</sup> (векторната сума по трите направления; неопределеност K = 1,5 м/с<sup>2</sup>)
    - \* при ударно пробиване с перфоратор в бетон 12,3 м/с<sup>2</sup>
    - \* при използване 10,9 м/с<sup>2</sup>
  - Нивото на предадените вибрации е измерено в съответствие със стандартизирания тест, определен в EN 60745; то може да се използва за сравнение на един инструмент с друг и като предварителна оценка на подлагането на вибрации при използването на инструмента за посочените приложения
    - използването на инструмента за различни от тези приложения или с други, или лошо поддържани аксесоари може значително да повиши нивото на което сте подложени
    - периодите от време, когато инструмента е изключен или съответно включен, но с него не се работи в момента могат значително да намалят нивото на което сте подложени
- ! предпазвайте се от ефектите от вибрациите, като поддържате инструмента и аксесоарите му, пазите ръцете си топли и организирате вашите модели на работа**

SK

## Вртáци кладиво

1763

## ÚVOD

- Tento nástroj je určený na elektropneumatické vrtanie do betónu, tehly a kameňa, ako aj na ľahké sekание; na bezpríkľepové vrtanie do dreva kovu a plastického materiálu ako aj na skrutkovание by sa malo používať špeciálne príslušenstvo
- Elektropneumatický vrtáци mechanismus na tomto nástroji má pri vrtání do betónu vyšší výkon, ako ktorákoľvek vrtáčka s mechanickým príkľepom
- Tento nástroj nie je vhodný pre profesionálne použitie
- Tento nástroj js môže používať v kombinácii so všetkými štandardnými SDS+ príslušenstvom
- Prečítajte a uschovajte tento návod na použitie ②

## TECHNICKÉ ÚDAJE ①

- \* Intenzita jednotlivých príkľepov podľa EPTA-Procedure 05/2009

## ČASTI NÁSTROJA ⑤

- A Prepínač zapnúť/vypnúť a regulácia rýchlosti
- B Koliesko na nastavenie maximálnej rýchlosti
- C Gombík na uzamknutie vypínača
- D Páčka na zmenu smeru otáčania
- E Prepínač na voľbu pracovného režimu

- F Tlačidlo odblokovania
- G Zamykacia objímka
- H Adaptér + skl'učovadlo 13 mm
- J Pomocné držadlo
- K Vetracie štrbiny
- L Hľbkový doraz

## BEZPEČNOSŤ

### VŠEOBECNÉ BEZPEČNOSTNÉ UPOZORNENIA TÝKAJÚCE SA ELEKTRICKÉHO NÁRADIA

**⚠ POZOR** Prečítajte si všetky bezpečnostné upozornenia, pokyny, ilustrácie a špecifikácie dodané s týmto elektrickým náradím. Zanedbanie dodržiavania všetkých uvedených pokynov textu môže mať za následok zásah elektrickým prúdom, spôsobiť požiar a/alebo ťažké poranenie.

### Všetky upozornenia a pokyny si odložte na ďalšie použitie.

Pojem ručné "elektrické náradie" používaný v nasledujúcom texte sa vzťahuje na ručné elektrické náradie napájané zo siete (s prírodnou šnúrou) a na ručné elektrické náradie napájané akumulátorovou batériou (bez prírodnej šnúry).

### 1) BEZPEČNOSŤ NA PRACOVISKU

- Udržievajte svoje pracovisko čisté a upratané.**  
Neporiadok na pracovisku alebo neosvetlené časti pracoviska môžu viesť k úrazom.
- Nepracujte elektrickým náradím v prostredí ohrozenom výbuchom, v ktorom sa nachádzajú horľavé kvapaliny, plyny alebo prach.** Elektrické náradie produkuje iskry, ktoré môžu prach alebo pary zapáliť.
- Deti a iné osoby udržiavajte počas práce od ručného elektrického náradia v dostatočnej vzdialenosti.** V prípade odpútania Vašej pozornosti by ste mohli stratiť kontrolu nad náradím.

### 2) ELEKTRICKÁ BEZPEČNOSŤ

- Zástrčka prírodnej šnúry sa musí hodiť do napájacej zásuvky. Zástrčka sa v žiadnom prípade nesmie meniť. Pri uzemnených spotrebičoch nepoužívajte spolu s nimi žiadne adaptéry.** Nezmenená zástrčka a vhodná zásuvka znižujú riziko zásahu elektrickým prúdom.
- Vyhýbajte sa telesnému kontaktu s povrchovými plochami uzemnených spotrebičov, ako sú elektrické rúry, vyhrievacie telesá, sporáky a chladničky.** Keď je Vaše telo uzemnené, riziko zásahu elektrickým prúdom je vyššie.
- Chráňte ručné elektrické náradie pred dažďom a vlhkom.** Vniknutie vody do ručného elektrického náradia zvyšuje riziko zásahu elektrickým prúdom.
- Nepoužívajte prírodnú šnúru na prenášanie náradia, na jeho vešanie, ani za ňu nevytvárajte zástrčku zo zásuvky. Prírodnú šnúru chráňte pred horúčavou, olejom, ostrými hranami alebo pohybujúcimi sa časťami náradia.** Poškodené alebo zauzlené šnúry zvyšujú riziko zásahu elektrickým prúdom.

- e) **Ak pracujete s ručným elektrickým náradím vonku, používajte len také predlžovacie šnúry, ktoré sú schválené pre používanie vo vonkajších priestoroch.** Používanie predlžovacej šnúry určenej do vonkajších priestoroch prostredia znižuje riziko zásahu elektrickým prúdom.
- f) **Ak sa nedá vyhnúť použitiu ručného elektrického náradia vo vlhkom prostredí, použite prerušovač uzemňovacieho obvodu.** Používanie prerušovača uzemňovacieho obvodu znižuje riziko zásahu elektrickým prúdom.

### 3) BEZPEČNOSŤ OSÔB

- a) **Buďte pozorní, dávajte pozor na to, čo robíte a k práci s elektrickým náradím pristupujte rozumne. Nepoužívajte elektrické náradie, keď ste unavení alebo keď ste pod vplyvom drog, alkoholu alebo liekov.** Chvíľa nepozornosti pri používaní náradia môže viesť k vážnym poraneniam.
- b) **Noste osobné ochranné pomôcky, ochranný odev a vždy majte nasadené ochranné okuliare.** Nosenie pracovného odevu a používanie ochranných pomôcok ako ochrannej dýchacej masky, bezpečnostných protišmykových topánok, príbly alebo chrániča sluchu, podľa druhu elektrického náradia, znižuje riziko poranenia.
- c) **Vyhýbajte sa neúmyselnému uvedeniu ručného elektrického náradia do činnosti. Pred zasunutím zástrčky do zásuvky a/alebo pred pripojením akumulátora, pred chytením alebo prenášaním ručného elektrického náradia sa vždy presvedčte sa, či je ručné elektrické náradie vypnuté.** Ak budete mať pri prenášaní ručného elektrického náradia prst na vypínači, alebo ak ručné elektrické náradie pripojíte na elektrickú sieť zapnuté, môže to mať za následok nehodu.
- d) **Skôr ako ručné elektrické náradie zapnete, odstráňte nastavovacie a montážne nástroje.** Nástroj alebo kľúč, ktorý sa nachádza v pohyblivej časti náradia, môže spôsobiť poranenie.
- e) **Nepreceňujte sa. Zabezpečte si pevný postoj a neprestajne udržiavajte rovnováhu.** Takto budete môcť ručné elektrické náradie v neočakávaných situáciách lepšie kontrolovať.
- f) **Pri práci noste vhodný pracovný odev. Nenoste široké odevy a nemajte na sebe šperky.** Vyvarujte sa toho, aby sa vaše vlasy a odev dostali do blízkosti pohyblivých častí. Volný odev, dlhé vlasy alebo šperky môžu byť zachytené rotujúcimi časťami ručného elektrického náradia.
- g) **Ak možno namontovať zariadenie na odsávanie alebo zachytávanie prachu, presvedčte sa, či je pripojené a správne používané.** Používanie odsávacieho zariadenia a zariadenia na zachytávanie prachu znižuje riziko ohrozenia zdravia prachom.
- h) **Nepodliehajte falošnému pocitu istoty získanej z častého používania náradia a nekonajte v rozpore s princípmi bezpečného používania náradia.** Nepozorná práca môže v priebehu zlomkov sekundy viesť k ťažkému poraneniu.
- 4) **STAROSTLIVÉ ZAOBCHÁDZANIE S ELEKTRICKÝM NÁRADÍM A JEHO POUŽÍVANIE**
- a) **Náradie nepreťažujte. Pre svoju prácu používajte určené elektrické náradie.** Pomocou vhodného

- ručného elektrického náradia budete môcť v uvedenom rozsahu výkonu pracovať lepšie a bezpečnejšie.
- b) **Nepoužívajte žiadne ručné elektrické náradie, ktoré má pokazený vypínač.** Ručné elektrické náradie, ktoré sa už nedá zapínať alebo vypínať, je nebezpečné a treba ho dať opraviť.
- c) **Skôr ako začnete náradie nastavovať alebo prestavovať, vymieňajte príslušenstvo alebo ako odložte náradie, vždy vytiahnite koncovku sieťovej šnúry zo zásuvky a/alebo vyberte akumulátor, ak sa dá vybrať.** Toto preventívne opatrenie zabraňuje neúmyselnému spusteniu ručného elektrického náradia.
- d) **Nepoužívané ručné elektrické náradie uschovávajte mimo dosahu detí. Nedopusťte, aby ručné elektrické náradie používali osoby, ktoré s ním nie sú dôkladne oboznámené, alebo ktoré si neprečítali tento Návod na používanie.** Ak ručné elektrické náradie používajú neskúsené osoby, stáva sa nebezpečným nástrojom.
- e) **Ručné elektrické náradie a príslušenstvo starostlivo ošetrujte. Skontrolujte, či pohyblivé súčiastky náradia bezchybne fungujú a neblokujú a či nie sú zlomené alebo poškodené niektoré súčiastky, ktoré by mohli negatívne ovplyvniť fungovanie ručného elektrického náradia. Pred použitím ručného elektrického náradia dajte poškodené súčiastky opraviť.** Nejedna úrca bol spôsobený zle udržiavaným náradím.
- f) **Používané nástroje udržiavajte ostré a čisté.** Starostlivo ošetrované nástroje s ostrými reznými hranami sa menej často zablokujú a ich vedenie je podstatne ľahšie.
- g) **Používajte ručné elektrické náradie, príslušenstvo, pracovné nástroje a pod. podľa týchto pokynov. Zohľadnite pritom konkrétne pracovné podmienky a činnosť, ktorú máte vykonať.** Používanie ručného elektrického náradia na iné ako určené účely môže viesť k nebezpečným situáciám.
- h) **Rukoväti a úchopové povrchy udržiavajte suché, čisté a bez oleja alebo mazacieho tuku.** Šmyklavé rukoväti a úchopové povrchy neumožňujú bezpečnú manipuláciu a ovládanie náradia v neočakávaných situáciách.

### 5) SERVIS

- a) **Ručné elektrické náradie zverte do opravy len kvalifikovanému personálu a používajte len originálne náhradné súčiastky.** Tým sa zabezpečí zachovanie bezpečnosti ručného elektrického náradia.

### BEZPEČNOSTNÉ POKYNY PRE VŔTACIEKLADIVÁ

#### VŠEOBECNE

- Vždy skontrolujte či je napájacie napätie rovnaké ako napätie uvedené na štítku nástroja (nástroj s menovitým napätím 230V alebo 240V môžete pripojiť aj do siete s napätím 220V)
- Tento nástroj by nemali používať osoby mladšie ako 16 rokov
- **Neobrabajte materiál, ktorý obsahuje azbest** (azbest sa považuje za rakovinotvorný materiál)
- Nikdy nepoužívajte nástroj ak je šnúra poškodená; šnúru musí vymeniť kvalifikovaná osoba
- **Pri nastavovaní alebo výmene príslušenstva vždy vytiahnite prívodný kábel zo zásuvky**



## PRÍSLUŠENSTVO

- SKIL zabezpečí hladký chod nástroja len ak sa používa pôvodné príslušenstvo
- Používajte iba príslušenstvo, u ktorého hodnota prípustných obrátok zodpovedá minimálne najvyšším obrátkam náradia

## PRED POUŽITÍM

- Používajte úplne odmotanú a bezpečnú predlžovaciu šnúru s kapacitou 16 A
- Zabráňte poškodeniu náradia skrutkami, klincami a inými kovovými predmetmi v obrobru; zoberte ich dole prv než začnete pracovať
- **Zaistite obrábaný diel** (obrábaný diel uchytýny pomocou upínacích zariadení alebo vo zveráku je oveľa bezpečnejší kým v ruke)
- **Na vyhľadanie skrytých elektrických vedení, plynových a vodovodných potrubí použite vhodné hľadacie prístroje, alebo sa spojte s príslušným dodávateľom** (kontakt s elektrickým vedením môže mať za následok vznik požiaru alebo spôsobiť zásah elektrickým prúdom; poškodenie plynového potrubia môže spôsobiť výbuch; prevrtanie vodovodného potrubia spôsobí vecné škody, alebo môže spôsobiť zásah elektrickým prúdom)
- Prach z materiálu, akým je náter obsahujúci olovo, niektoré druhy dreva, minerály a kovy môže byť škodlivý (styk alebo nadýchanie prachu môže spôsobiť alergické reakcie a/alebo respiračné ochorenia obsluhy a okolostojacich osôb); **používajte ochrannú masku tváre a pracujte so zariadením na odsávanie prachu, ak je takéto zariadenie možné pripojiť**
- Určité druhy prachu sú klasifikované ako karcinogénne (akým dubový a bukový prach), a to hlavne v spojení s prísadami pre úpravu dreva; **používajte ochrannú masku tváre a pracujte so zariadením na odsávanie prachu, ak je takéto zariadenie možné pripojiť**
- Dodržujte stanovené nariadenia pre prácu v prašnom prostredí

## POČAS PRÁCE

- **Používajte chrániče sluchu** (pôsobenie hluku môže mať za následok stratu sluchu)
- **Používajte prídavné rukoväte, ktoré Vám boli dodané s náradím** (strata kontroly nad náradím môže mať za následok poranenie)
- **Držte elektrické náradie len za izolované plochy rukovätí, ak vykonávate takú prácu, pri ktorej by mohli použiť pracovný nástroj natrafiť na skryté elektrické vedenia alebo zasiahnuť vlastnú prívodnú šnúru náradia** (kontakt s elektrickým vedením, ktoré je pod napätím, môže dostať pod napätie aj kovové súčiastky náradia a spôsobiť zásah elektrickým prúdom)
- Elektrickú šnúru udržiajte vždy mimo pohybujúcich sa častí nástroja
- V prípade elektrickej alebo mechanickej poruchy zastavte okamžite nástroj a vyťahnite zástrčku z nástennej zásuvky
- Ak je sieťová šnúra poškodená alebo ak sa prezeže počas prevádzky, nedotýkajte sa jej ale ju ihneď odpojte z hlavnej elektrickej siete
- Ak sa hrot vrtáka neočakávané vzpriechi (a spôsobí náhlu, neočakávanú reakciu), tak nástroj ihneď vypnite

- Uvedomte si veľkosť sil vyvolaných vzpriechením, (zvlášť pri vrtaní kovov); **vždy použite pomocná rukoväť J 5** a stojte bezpečne

## PO PRÁCI

- Skôr než nástroj položíte, presvedčte sa že je motor vypnutý a že sú všetky pohyblivé súčiastky zastavené

## VYSVETLENIE SYMBOLOV NA NÁSTROI

- ② Pred použitím si prečítajte návod na obsluhu
- ③ Dvojitá izolácia (nevyžaduje sa uzemňovací kábel)
- ④ Nástroj nevyhadzujte do komunálneho odpadu

## POUŽITIE

- Zapínanie/vypínanie ⑥
- Aretácia vypínača pri nepretržitom používaní ⑦
- Regulácia rýchlosti na hladké zapnutie ⑧
- Maximálne riadenie rýchlosti otáčok ⑨  
Pomocou kolieska B ⑤ je možné plynulo nastaviť rýchlosť otáčok od minima po maximum
- Zmena smeru otáčania ⑩
  - ak nie je správne nastavená v polohe vľavo/vpravo, spínač A sa nedá aktivovať
  - ! **zmeňte smer otáčania len keď je nástroj úplne nečinný**
- Voľbu pracovného režimu ⑪
  - ak chcete odblokováť spínač E, stlačte tlačidlo F
  - otočte prepínač E do požadovaného pracovného režimu, kým nezaklapne
  - ! **zariadenie sa spustí len ak je spínač E zablokovaný**
    - 1 = normálne vrtanie/skrutkovanie
    - 2 = príklepové vrtanie
    - 3 = sekание rotačným sekáčom
    - 4 = sekание fixným sekáčom
  - ! **voľte pracovný režim len keď je náradie vypnuté a zástrčka odpojená**
  - elektropneumatický vrtací mechanizmus sa zapojí jemným pritlačením na nástroj keď sa vrták dotkne obrobru
  - najlepšie výsledky pri vrtaní elektropneumatickým vrtacím mechanizmom sa dosiahnu vtedy; výkon sa nezlepší ak sa bude vrták tlačiť silnejšie
- Sekanie rotačným sekáčom ⑫
  - ! **nástroj vypnite a vyťahnite zo zásuvky**
  - zvolte "rotačný" režim sekania
- Sekanie fixným sekáčom ⑬
  - ! **nástroj vypnite a vyťahnite zo zásuvky**
  - zvolte "rotačný" režim sekania
  - vložte sekáč do požadovanej polohy
  - zvolte "fixný" režim sekania
- Ako vymeniť hroty ⑭
  - ! **pred vložením SDS+ príslušenstvo očistite a jemne natrite mazivom**
  - zatiahnite zamykaciu objímku G smerom dozadu a vložte príslušenstvo do SDS+ upínača otáčaním a zatlačením ho až kým zapadne dnu; príslušenstvo sa automaticky pevne napojí na miesto
  - skontrolujte zatiahnutím či je príslušenstvo správne uzamknuté
  - príslušenstvo vyberte zatiahnutím zamykacej objímky G smerom dozadu
  - ! **príslušenstvo SDS+ sa musí voľne pohybovať a tým sa spôsobuje excentricita keď nie je nástroj**

zaťaženy; napriek tomu sa príslušenstvo automaticky sústreďí do prostriedku počas prevádzky a presnosť vrtania sa tým neovplyvní!

**! nepoužívajte hroty/sekáče s poškodenou stopkou**  
Na vrtanie do dreva, kovu a plastického materiálu ako aj na skrutkovanie by sa mal používať adaptér H 15

- adaptér pred namontovaním očistite a jemne natrite mazivom
  - zatiahnite zamykaciu objímku G smerom dozadu a vložte adaptér do SDS+ upínača otáčaním a zatlačením ho až kým zapadne dnu; adaptér sa automaticky pevne napojí na miesto
  - skontrolujte zatiahnutím či je príslušenstvo správne uzamknuté
  - nastavte vypínač E 5 na normálne vrtanie (**prepnite len keď je náradie vypnuté a zástrčka odpojená**)
  - Bezpečnostná spojka  
Preruší pohon vretena, ak sa príslušenstvo zasekne (spôsobí rachot)
    - ihneď nástroj vypnite
    - vyberte zaseknuté príslušenstvo
    - znovu nástroj zapnite
  - Nastavenie hĺbky vrtania 16
  - Držanie a vedenie nástroja 17
- ! počas práce vždy držte nástroj v oblasti sivého držadla(iel)**
- **vždy použijete pomocnú rukoväť J** (má sa nastaviť podľa obrázku)
  - vetracie štrbiny udržiavajte nezakryté
  - na nástroj príliš netlačte; nechajte nástroj robiť prácu za Vás

## RADU NA POUŽITIE

- Používajte vhodné hroty 18
- ! používajte len ostré hroty/sekáče**
- Vrtanie železných kovov
  - keď je treba vyvrtáť väčšiu dieru, najskôr predvrtajte menšiu dieru
  - natrite vrtacie hroty z času na čas olejom
- Pri zaťahovaní skrutky v blízkosti rezu alebo na hrane dreva by sa mala predvrtáť diera, aby sa zabránilo prasknutiu dreva
- Vrtanie do dreva bez triesok 19
- Bezprachové vrtanie do tehál 20
- Bezprachové vrtanie do stropov 21
- Vrtanie do kachličiek bez šmykania 22
- Viac rád nájdete na [www.skil.com](http://www.skil.com)

## ÚDRŽBA / SERVIS

- Tento nástroj nie je vhodný pre profesionálne použitie
- Nástroj a sieťový šnúru udržiavajte stále čisté (zvlášť vetracie štrbiny K 5)
- ! pred čistením odpojte z elektrickej siete**
- Ak by nástroj napriek starostlivej výrobe a kontrole predsa len prestal niekedy fungovať, treba dať opravu vykonať autorizovanej servisnej opravovni elektrického náradia SKIL
  - pošlite nástroj **bez rozmontovania** spolu s dôkazom o kúpe; vášmu dilerovi alebo do najbližšieho servisného strediska SKIL (zoznam adres servisných stredísk a servisný diagram nástroja sú uvedené na [www.skil.com](http://www.skil.com))

## ŽIVOTNÉ PROSTREDIE

- **Elektrické náradie, príslušenstvo a balenia nevyhadzujte do komunálneho odpadu** (len pre štáty EÚ)
  - podľa európskej smernice 2012/19/EG o nakladaní s použitými elektrickými a elektronickými zariadeniami a zodpovedajúcich ustanovení právnych predpisov jednotlivých krajín sa použité elektrické náradie musí zbierať oddelene od ostatného odpadu a podrobiť ekologicky šetrnej recyklácii
  - pripomenie vám to symbol 4, keď ju bude treba likvidovať

## HLUKU / VIBRÁCIÍ AČH

- Merané podľa EN 60745 je úroveň akustického tlaku tohto nástroja 91,0 dB(A) a úroveň akustického výkonu je 102,0 dB(A) (štandardná odchýlka: 3 dB), a vibrácie sú \* m/s<sup>2</sup> (súčet vektorov troch smerov; nepresnosť K = 1,5 m/s<sup>2</sup>)
  - \* pri vrtaní do betónu elektropneumatickým vrtacím mechanizmom 12,3 m/s<sup>2</sup>
  - \* pri sekaní 10,9 m/s<sup>2</sup>
- Hladina emisií od vibrácií bola nameraná v súlade s normalizovaným testom uvedeným v norme EN 60745; môže sa používať na vzájomné porovnanie náradí a na predbežné posúdenie vystavenia účinkom vibrácií pri používaní náradia pre uvedené aplikácie
  - používanie náradia na rôzne aplikácie, alebo v spojení s rôznymi alebo nedostatočne udržiavanými doplnkami môže značne **zvýšiť** úroveň vystavenia
  - časové doby počas ktorých je je náradie vypnuté alebo počas ktorých náradie beží ale v skutočnosti nevykonáva prácu môžu značne **znižiť** úroveň vystavenia
- ! chráňte sa pred účinkami vibrácií tak, že budete náradie a jeho príslušenstvo správne udržiavať, tak že nebudete pracovať so studenými rukami a tak že si svoje pracovné postupy správne zorganizujete**

HR

## Bušači čekič

1763

### UVOD

- Ovaj alat je predviđen za bušenje u betonu, opeci i kamenju sa načinom rada bušači čekič, kao i za lakše radove s dljetom; za načinom rada bušenje u drvu, metalu i plastiku, kao i za radove uvijanja vijaka treba se primijeniti poseban pribor
- Sustav bušačeg čekiča kod ovog alata znatno je učinkovitiji nego sustav udarne bušilice pri bušenju u betonu
- Ovaj uređaj nije namijenjen profesionalnoj upotrebi
- Alat je predviđen za primjenu u kombinaciji sa svim standardnim SDS+ dijelovima pribora
- Pažljivo pročitajte i sačuvajte ove upute za rukovanje 2

### TEHNIČKI PODACI 1

- \* Jačina pojedinačnih udarača prema EPTA-Procedure 05/2009

## DIJELOVI ALATA ⑤

- A Prekidač za uključivanje/isključivanje i za kontrolu brzine
- B Kotačić za kontrolu max. broja okretaja
- C Gumb za blokiranje prekidača
- D Ručica za promjenu smjera rotacije
- E Prekidač za biranje načina rada
- F Gumb za otključavanje
- G Sigurnosni prsten
- H Adapter + glava od 13 mm
- J Pomoćna drška
- K Otvori za strujanje zraka
- L Graničnik dubine bušenja

## SIGURNOST

### OPĆA SIGURNOSNA UPOZORENJA ZA ELEKTRIČNE ALATE

**⚠ UPOZORENJE** Pročitajte **sva** sigurnosna upozorenja, upute, ilustracije i specifikacije koje se isporučuju s ovim električnim alatom. Nepoštivanje dolje navedenih uputa može uzrokovati električni udar, požar i/ili ozbiljne ozljede.

**Sva upozorenja i upute sačuvajte kao referencu za buduće upotrebe.**

U daljnjem tekstu korišten pojam "električni alat" odnosi se na električne alate s priključkom na električnu mrežu (s mrežnim kablom) i na električne alate s napajanjem iz aku baterije (bez mrežnog kabela).

#### 1) SIGURNOST NA RADNOM MJESTU

- a) **Vaše radno područje održavajte čisto i uredno.**  
Nered ili neosvijetljeno radno područje mogu doći do nezgoda.
- b) **S uređajem ne radite u okolini ugroženoj eksplozijom, u kojoj se nalaze zapaljive tekućine, plinovi ili prašina.** Električni alati proizvode iskre koje mogu zapaliti prašinu ili pare.
- c) **Djecu i ostale osobe držite dalje tijekom korištenja električnog alata.** Ako bi skrenuli pozornost sa posla mogli bi izgubiti kontrolu nad uređajem.

#### 2) ELEKTRIČNA SIGURNOST

- a) **Priključni utikač uređaja treba odgovarati utičnici.** Na utikaču se ni u slučaju ne smiju izvoditi izmjene. **Ne koristite adapterske utikače zajedno sa uređajima koji su zaštićeni uzemljenjem.** Originalni utikač i odgovarajuće utičnice smanjuju opasnost od električnog udara.
- b) **Izbjegavajte dodir tijela s uzemljenim površinama kao što su cijevi, centralno grijanje, štednjaci i hladnjaci.** Postoji povećana opasnost od električnog udara ako je vaše tijelo uzemljeno.
- c) **Držite uređaj dalje od kiše ili vlage.** Prodiranje vode u električni uređaj povećava opasnost od električnog udara.
- d) **Priključni kabel ne koristite za nošenje, vješanje ili za izvlačenje utikača iz utičnice.** Držite kabel dalje od izvora topline, ulja, oštarih rubova ili pomičnih dijelova uređaja. Oštećen ili usukan kabel povećava opasnost od električnog udara.

- e) **Ako s električnim uređajem radite na otvorenom, koristite samo produžni kabel odobren za uporabu na otvorenom.** Primjena produžnog kabela prikladnog za uporabu na otvorenom smanjuje opasnost od električnog udara.
- f) **Ako se ne može izbjeći uporaba električnog alata u vlažnoj okolini, upotrijebite sigurnosna sklopka za propuštanje u zemlju.** Upotrebom sigurnosne sklopke za propuštanje u zemlju smanjuje se opasnost od električnog udara.

#### 3) SIGURNOST LJUDI

- a) **Budite oprezni, pazite što činite i postupajte razumno kod rada s električnim alatom. Ne koristite uređaj ako ste umorni ili pod utjecajem opojnih sredstava, alkohola ili lijekova.** Trenutak nepažnje kod uporabe uređaja može doći do ozbiljnih ozljeda.
  - b) **Nosite sredstva osobne zaštite i uvijek zaštitne naočale.** Nošenje sredstava osobne zaštite, kao što je zaštitna maska, sigurnosne cipele koje ne klize, zaštitne kacige ili štيتnika za sluh, ovisno od vrste i primjene električnog alata, smanjuje opasnost od nezgoda.
  - c) **Izbjegavajte nehotično puštanje u rad. Prije nego što ćete utaknuti utikač u utičnicu i/ili staviti aku-bateriju, provjerite je li električni alat isključen.** Ako kod nošenja električnog alata imate prst na prekidaču ili se uključeni uređaj priključi na električno napajanje, to može dovesti do nezgoda.
  - d) **Prije nego što uređaj uključite, uklonite alate za podešavanje ili vijčane ključeve.** Alat ili ključ koji se nalazi u rotirajućem dijelu uređaja može doći do nezgoda.
  - e) **Ne precjenjujte svoje sposobnosti. Zauzmite siguran i stabilan položaj tijela i držite u svakom trenutku ravnotežu.** Na taj način možete uređaj bolje kontrolirati u neočekivanim situacijama.
  - f) **Nosite prikladnu odjeću. Ne nosite široku odjeću ili nakit. Kosu i odjeću držite dalje od pomičnih dijelova.** Široku odjeću, dugu kosu ili nakit mogu zahvatiti pomični dijelovi.
  - g) **Ako se mogu montirati naprave za usisavanje i hvatanje prašine, provjerite da li su iste priključene i da li se pravilno koriste.** Primjena naprave za usisavanje može smanjiti ugroženost od prašine.
  - h) **Nemojte postati previše bezbrižni i zanemariti sigurnosne upute zato što alat često upotrebljavate i smatrate da ste ga dobro upoznali.** Samo jedan trenutak nepažnje dovoljan je za nastanak ozbiljnih ozljeda.
- #### 4) BRIŽLJIVA UPORABA ELEKTRIČNIH ALATA
- a) **Ne preopterećujte uređaj. Koristite za vaše radove za to predviđen električni alat.** S odgovarajućim električnim alatom radit ćete bolje i sigurnije, u navedenom području učinka.
  - b) **Ne koristite električni alat čiji je prekidač neispravan.** Električni alat koji se više ne može uključiti ili isključiti, opasan je i treba se popraviti.
  - c) **Alat prije podešavanja, izmjene pribora i odlaganja isključite iz izvora napajanja i/ili izvadite komplet baterije, ako se vadi iz uređaja.** Ovim mjerama opreza izbjeći će se nehotično uključivanje električnog alata.
  - d) **Nekorištene električne alate spremite izvan doseg djece. Ne dopustite da uređaj koriste osobe koje s**

njim nisu upoznate ili koje nisu pročitale upute za uporabu. Električni alati su opasni ako ih koriste neiskusne osobe.

- e) **Redovno održavajte električne alate i pribor.** Kontrolirajte da li pomični dijelovi uređaja besprijekorno rade i da nisu zaglavljani, te da li su dijelovi polomljeni ili tako oštećeni da negativno djeluju na funkciju uređaja. Popravite oštećene dijelove prije uporabe uređaja. Mnoge nezgode imaju svoj uzrok u loše održanim uređajima.
  - f) **Rezne alate održavajte oštrim i čistim.** Pažljivo održavani rezni alati s oštrim oštricama neće se zaglaviti i lakši su za vođenje.
  - g) **Koristite električne alate, pribor, radne alate, itd., prema navedenim uputama.** Pri tome uzmite u obzir radne uvjete i radove koje se izvode. Uporaba električnih alata za neke druge primjene različite od predviđenih, može doći do opasnih situacija.
  - h) **Ručke i zahvatne površine održavajte suhima, čistima i pazite da na njih ne dospiju ulje ili mast.** Skliske ručke i zahvatne površine onemogućuju sigurno rukovanje i alat se teško kontrolira u neočekivanim situacijama.
- 5) SERVISIRANJE**
- a) **Popravlak uređaja prepustite samo kvalificiranom stručnom osoblju i samo s originalnim rezervnim dijelovima.** Na taj će se način postići održanje stalne sigurnosti uređaja.

## UPUTE ZA SIGURAN RAD ZA BUŠAČI ČEKIĆ

### OPĆENITO

- Uvijek provjerite je li napon napajanja isti kao onaj naveden na tipskoj pločici uređaja (uređaji označeni s 230V ili 240V mogu raditi i na 220V)
- Uređaj ne bi smjele koristiti osobe mlađe od 16 godina
- **Ne obrađujte materijal koji sadrži azbest** (azbest se smatra kancerogenim)
- Nikad ne upotrebljavajte alat kad su kabel oštećeni; neka iz zamijeni kvalificirana osoba
- **Prije svih radova održavanja, podešavanja ili izmjene alata i pribora treba izvući utikač iz mrežne utičnice**

### PRIBOR

- SKIL može osigurati besprijekoran rad uređaja samo ako se koristi originalni pribor
- Upotrebljavajte pribor čija dopuštena brzina odgovara najvećoj brzini alata u praznom hodu

### PRIJE UPORABE

- Upotrebljavajte samo neodmotane i zaštićene produžne kabele kapaciteta 16 ampera
- Izbjegavajte oštećenja od vijaka, čavala i sličnih predmeta na vašem izratku; prije početka rada ih izvadite
- **Osigurajte izradak** (izradak je sigurnije pričvršćen pomoću stezaljke ili škripa nego da ga držite rukom)
- **Koristite prikladne uređaje za traženje napona kako bi se pronašli skriveni napojni vodovi ili se savjetuje s lokalnim distributerom** (kontakt s električnim vodovima mogao bi doći do požara i električnog udara; oštećenje plinske cijevi moglo bi dovesti do eksplozije; probijanje vodovodne cijevi uzrokuje materijalne štete ili može uzrokovati električni udar)

- Prašina od materijala kao što su boje koje sadrže olovo, neke vrste drveća, minerali i metal mogu biti opasne (dodir s prašinom ili njeno udisanje mogu prouzročiti alergične reakcije i/ili respiratorna oboljenja rukovatelja ili posmatrača); **nosite masku za zaštitu od prašine i radite s uređajem za ekstrakciju prašine ukoliko ga možete priključiti**
  - Određene vrste prašine klasificiraju se kao karcinogenske (kao što su prašina hrastovine i bukovine), osobito u sudejstvu s aditivima za kondicioniranje drveta; **nosite masku za zaštitu od prašine i radite s uređajem za ekstrakciju prašine ukoliko ga možete priključiti**
  - Nacionalni uvjeti za materijale s kojima želite raditi
- ### TIJEKOM UPORABE
- **Nosite štitičke za sluh** (djelovanje buke može dovesti do gubitka sluha)
  - **Koristite pomoćne ručke isporučene sa alatom** (gubitak kontrole nad alatom može uzrokovati ozljede)
  - **Električni alat držite na izoliranim površinama zahvata, kada radite na mjestima gdje bi svrdlo moglo oštetiti skrivene električne kablove ili vlastiti priključni kabel** (kontakt sa vodom pod naponom može i metalne dijelove električnog alata staviti pod napon i dovesti do strujnog udara)
  - Kabel uvijek držati dalje od rotirajućih dijelova uređaja
  - U slučaju neobičajenog ponašanja uređaja ili neobičnih šumova, uređaj treba odmah isključiti i izvući utikač iz mrežne utičnice
  - Ako se tijekom rada priključni kabel ošteti ili odreže, ne dirati priključni kabel, nego odmah izvući mrežni utikač
  - U slučaju neočekivanog blokiranja svrdla (uz opasnu povratnu reakciju), uređaj treba odmah isključiti
  - Treba obratiti pozornost na nastale sile kod blokiranja alata (posebno kod bušenja metala); **uvijek koristite pomoćnu ručku J** ⑤ i zauzeti siguran i stabilan položaj tijela

### NAKON UPORABE

- Čim se odmaknete od alata trebate ga isključiti, a pomični se dijelovi trebaju potpuno zaustaviti

### POJAŠNJENJE SIMBOLA NA UREĐAJU

- ② Prije upotrebe pročitajte korisnički priručnik
- ③ Dvostruka izolacija (dozamna žica nije potrebna)
- ④ Uređaj ne bacajte u kućni otpad

## POSLUŽIVANJE

- Uključivanje/isključivanje ⑥
- Aretiranje prekidača za stalan rad ⑦
- Reguliranje broja okretaja za meko pokretanje ⑧
- Kontrola max. broja okretaja ⑨
- Kotačićem B ⑤ može se maksimalni broj okretaja besputnjevitom namjestiti od najmanje do najveće brzine
- Promjena smjera rotacije ⑩
  - ako položaj lijevo/desno nije ispravno preskočio, prekidač A se ne može aktivirati
- ! **smjer rotacije mijenjati samo dok alat miruje**
- Biranje načina rada ⑪
  - pritisnite gumb F da biste otključali prekidač E
  - okrenite prekidač E u željeni način rada dok se ne zaustavi i blokira

## ! započnite s radom samo kada je prekidač E zaključan

- 1 = normalno bušenje/odvijanje
- 2 = udarno bušenje
- 3 = djelanje s rotirajućim dlijetom
- 4 = djelanje s fiksnim dlijetom

## ! način rada birati samo kad je alat isključen i ako je izvučen mrežni utikač

- mehanika čekić bušenja aktivira se putem manjeg pritiska na alat kada svrdlo dođe u dodir sa radnim predmetom
- najbolji rezultati bušačeg čekića postižu se kada se laganim pritiskom djeluje na alat; učinak bušenja ne može se povećati primjenom većeg pritiska na alat

- Djelanje s rotirajućim dlijetom (12)

## ! isključite uređaj i odspojite utikač

- odaberite "rotirajući" način djelanja

- Djelanje s fiksnim dlijetom (13)

## ! isključite uređaj i odspojite utikač

- odaberite "rotirajući" način djelanja
- stavite dlijeto u željeni položaj
- odaberite "fiksni" način djelanja

- Zamjena nastavaka (14)

## ! prije umetanja SDS+ pribor očistite i neznatno ga namažite

- povlačiti sigurnosni prsten G natrag i umetnite pribor u SDS+ steznu glavu, uz okretanje, dok nepreskoči; pribor će automatski uskočiti u njegov položaj
- povucite za pribor kako bi provjerili da li je propisno osiguran
- izvucite pribor potezanjem natrag sigurnosni prsten G

## ! SDS+ pribor mora se moći nesmetano pomicati; to dovodi do ekscentričnih gibanja ako je alat neopterećen; pribor, se međutim automatski centrira tijekom rada, bez da to utječe na točnost bušenja

## ! ne koristite nastavke/dlijeta s oštećenom drškom

- Za radove bušenja u drvu, metalu i plastici, kao i za radove uvijanja vijaka primijenite adapter H (15)
- prije umetanja adapter očistite i neznatno ga namažite
  - sigurnosni prsten G povlačiti natrag i umetnite adapter u SDS+ steznu glavu, uz okretanje i umetanje, sve dok ne preskoči; adapter će automatski preskočiti u njegov položaj
  - povucite za adapter, kako bi provjerili da li propisno osiguran
  - prekidač E (5) prebacite u položaj normalnog bušenja (**pritisnuti samo kad je alat isključen i ako je izvučen mrežni utikač**)

- Sigurnosna spojka

Ukoliko je pribor blokiran, prekinut će se pogon vretena (šumovi)

- alat odmah isključiti
- izvaditi blokiran pribor
- alat ponovno uključiti

- Namještanje dubine bušenja (16)

- Držanje i vođenje uređaja (17)

## ! alat kod primjene, držati samo na sivo označenim područjima

- uvijek koristite pomoćnu ručku J (može se podesiti kako je prikazano)
- otvore za strujanje zraka držite nepokriveno

- ne djelujte prevelikim pritiskom na uređaj; ostavite uređaju da radi za vas

## SAVJETI ZA PRIMJENU

- Treba koristiti odgovarajuće bitove (18)
  - ! **koriste se samo oštri bitovi/dlijeta**
- Kod bušenja metala
  - predbušiti manju rupu ako se buši velika rupa
  - nastavke po potrebi namazati uljem
- Kod uvijanja vijka na prednjem ili stražnjem dijelu nekog izratka od drva, treba se prethodno izbušiti rupa, kako bi se izbjeglo kаланje drva
- Bušenje u drvo bez stvaranja iveraka (19)
- Bušenje u zid bez stvaranja prašine (20)
- Bušenje u strop bez stvaranja prašine (21)
- Bušenje keramičkih pločica bez klizanja vrha svrdla (22)
- Dodatne savjete možete naći na adresi [www.skil.com](http://www.skil.com)

## ODRŽAVANJE / SERVISIRANJE

- Ovaj uređaj nije namijenjen profesionalnoj upotrebi
- Održavajte čistim uređaj i kabel (osobito otvore za hlađenje K (5))
  - ! **prije čišćenja treba izvući mrežni utikač**
- Ako bi uređaj unatoč brižljivih postupaka izrade i ispitivanja ipak prestao raditi, popravak treba prepustiti ovlaštenom servisu za SKIL električne alate
  - uređaj treba **nerastavljeno** predati, zajedno s računom o kupnji u najbližu SKIL ugovornu servisnu radionicu (popise servisa, kao i oznake rezervnih dijelova uređaja možete naći na adresi [www.skil.com](http://www.skil.com))

## ZAŠTITA OKOLIŠA

- **Električne alate, pribor i ambalazu ne bacajte u kućni otpad** (samo za EU-države)
  - prema Europskoj direktivi 2012/19/EG o staroj električnoj i elektroničkoj opremi i njenoj primjeni u skladu sa nacionalnim zakonom, istrošeni električni alati moraju se sakupljati odvojeno i odvesti u posebne pogone za reciklažu
  - na to podsjeća simbol (4) kada se javi potreba za odlaganjem

## BUKA / VIBRACIJA

- Mjerenje prema EN 60745 prag zvučnog tlaka ovog električnog alata iznosi 91,0 dB(A) a jakost zvuka 102,0 dB(A) (standardna devijacija: 3 dB), a vibracija \* m/s<sup>2</sup> (vektorski zbroj u tri smjera; nesigurnost K = 1,5 m/s<sup>2</sup>)
  - \* kod čekić bušenja u betonu 12,3 m/s<sup>2</sup>
  - \* kod dlijetanja 10,9 m/s<sup>2</sup>
- Razina emitiranja vibracija izmjerena je sukladno normiranom testu danom u EN 60745; ona se može koristiti za usporedbu jedne alatke s drugom, te preliminarnu procjenu izloženosti vibracijama pri uporabi alatke za navedene namjene
  - uporaba ove alatke za druge namjene ili s drugim ili slabo održavanim nastavcima, može u značajnoj mjeri **uvećati** razinu izloženosti
  - vrijeme tokom kojega je alatka isključena, ili je uključena ali se njome ne radi, može značajno **umanjiti** razinu izloženosti

! **zaštite se od posljedica vibracija održavanjem alatke i njezinih nastavaka, održavanjem Vaših ruku toplima, te organiziranjem Vaših obrazaca rada**

SRB

## Bušilica čekić

1763

### UPUTSTVO

- Ovaj alat je namenjen za bušenje sa čekićem u betonu, cigli i kamenu kao i blago klesanju; bušenju u drvetu, metalu i plastici kao i uvrtanju uz pomoć specifičnog pribora
  - Sistem bušenja sa čekićem koji ovaj alat poseduje omogućava prevazilaženje tradicionalnog mukotrpnog bušenja u betonu
  - Ovaj alat nije namenjen za profesionalnu upotrebu
  - Ovaj alat podržava upotrebu svih standardnih SDS+ pribora
  - Pažljivo pročitajte i sačuvajte ova uputstva za rukovanje
- ②

### TEHNIČKI PODACI ①

\* Jačina pojedinačnog udarca odgovara EPTA-Procedure 05/2009

### ELEMENTI ALATA ⑤

- A Prekidač za uključivanje/isključivanje i kontrolu brzine
- B Točak za kontrolu maksimalne brzine
- C Dugme za učvršćivanje prekidača
- D Ručica za promenu smeru rotacije
- E Prekidač za biranje režima rada
- F Dugme za otključavanje
- G Stezna glava
- H Adapter + 13 mm glavu
- J Pomoćna ručica
- K Prorezi za hlađenje
- L Merač dubine

### SIGURNOST

#### OPŠTA SIGURNOSNA UPOZORENJA ZA ELEKTRIČNI ALAT

**⚠ UPOZORENJE** Pročitajte sva sigurnosna upozorenja, uputstva, ilustracije i specifikacije isporučene uz ovaj električni alat. Propusti kod pridržavanja svih dole navedenih uputstava mogu imati za posledicu električni udar, požar i/ili teške povrede.

**Sačuvajte sva upozorenja i uputstva za buduću upotrebu.**

Pojam upotrebljen u upozorenjima "električni alat" odnosi se na električne alate sa radom na mreži (sa mrežnim kablom) i na električne alate sa radom na akumulator (bez mrežnog kabela).

#### 1) SIGURNOST NA RADNOM MESTU

- a) **Držite Vaše područje rada čisto i pospremljeno.** Nered ili neosvetljena radna područja mogu voditi nesrećama.
- b) **Ne koristite električni alat tamo gde postoji opasnost od eksplozije kao npr. u prisustvu zapaljivih tečnosti, gasova ili prašine.** Električni alati proizvode varnice, koje mogu zapaliti prašinu ili isparenja.
- c) **Za vreme korišćenja električnog alata držite podalje decu i druge osobe.** Kod skretanja možete izgubiti kontrolu nad alatom.

#### 2) ELEKTRIČNA SIGURNOST

- a) **Utikač električnog alata mora odgovarati utičnici. Nikada nemojte modifikovati utikač. Ne upotrebljavajte adaptere utikača sa uzemljenim električnim alatom.** Nemodifikovani utikači i odgovarajuće utičnice smanjuju rizik od električnog udara.
- b) **Izbegavajte telesni kontakt sa uzemljenim gornjim površinama, kao što su cevi, grejanja, šporeti i rashladni ormani.** Postoji povećani rizik od električnog udara, ako je Vaše telo uzemljeno.
- c) **Ne izlažite električni alat kiši ili vlažnim uslovima.** Prodor vode u električni alat povećava rizik od električnog udara.
- d) **Ne zloupotrebljavajte kabl. Nikada nemojte koristiti kabl za nošenje i vučenje električnog alata ili za izvlačenje iz utičnice. Držite kabl dalje od vreline, ulja, oštih ivica ili pokretnih delova.** Oštećeni ili umršeni kablovi povećavaju rizik električnog udara.
- e) **Ako sa nekim električnim alatom radite u prirodi, upotrebljavajte samo produžne kablove koji su dozvoljeni za spoljno područje.** Upotreba produžnog kabela pogodnog za spoljno područje smanjuje rizik od električnog udara.
- f) **Ako rad električnog alata ne može da se izbegne u vlažnoj okolini, koristite prekidač strujne zaštite pri kvaru.** Upotreba prekidača strujne zaštite pri kvaru smanjuje rizik od električnog udara.

#### 3) SIGURNOST OSOBA

- a) **Budite oprezni, pazite na to šta radite i razumno rukujte Vašim električnim alatom. Ne koristite električni alat dok ste umorni ili pod uticajem narkotika, alkohola ili lekova.** Momenat nepažnje kod upotrebe električnog alata može rezultirati ozbiljnim povredama.
- b) **Nosite ličnu zaštitnu opremu i uvek zaštitne naočare.** Nošenje lične zaštitne opreme, kao maske za prašinu, sigurnosne cipele koje ne klizaju, zaštitni šlem ili zaštitu za sluh, zavisno od vrste i upotrebe električnog alata, smanjujete rizik od povreda.
- c) **Sprečite nenamerno puštanje u rad. Pre priključivanja na struju i/ili na akumulatorsku bateriju, podizanja ili nošenja alata uverite se da je prekidač isključen.** Nošenje električnog alata sa prstom na prekidaču ili priključivanje na struju uključenog električnog alata vodi do nesreće.
- d) **Uklonite bilo kakve ključeve za podešavanje ili ključeve za zavrtneve, pre nego što uključite električni alat.** Ostavljanje ključa za zavrtneve ili ključa prikačene na rotirajući deo električnog alata može rezultirati ličnom povredom.

- e) **Ne zauzimajte neadekvatan položaj. Sve vreme držite ravnotežu i pravilan položaj nogu.** Ovo omogućava bolje upravljanje električnim alatom u neočekivanim situacijama.
- f) **Nosite pogodno odelo. Ne nosite široko odelo ili nakit. Držite kosu i odelu dalje od pokretnih delova.** Opušteno odelo, nakit ili duža kosa mogu biti zahvaćeni od rotirajućih delova.
- g) **Ako se mogu montirati uredjaji za usisavanje prašine i uredjaji za hvatanje prašine, uverite se da li su priključeni i ispravno koristite.** Upotreba usisavanja prašine može smanjiti opasnosti od prašine.
- h) **Ne dozvolite da pouzdanje koje ste stekli čestom upotrebom alata utiče na to da postanete neoprezni i da zanemarite sigurnosne principe za upotrebu alata.** Neoprezno delovanje može prouzrokovati teške povrede u deliću sekunde.
- 4) BRIŽLJIVO OPHODIENJE I KORIŠĆENJE ELEKTRIČNIH ALATA**
- a) **Ne preopterećujte električni alat. Koristite električni alat koji odgovara Vašoj primeni.** Sa odgovarajućim električnim alatom radite bolje i sigurnije tempom za koji je projektovan.
- b) **Ne upotrebljavajte električni alat, čiji je prekidač u kvaru.** Električni alat koji više ne može da se uključi ili isključi je opasan i mora da se popravi.
- c) **Izvučite utikač iz utičnice i/ili izvadite akumulatorsku bateriju, ukoliko je to moguće, iz električnog alata pre nego što izvršite bilo kakva podešavanja, promenu pribora ili pre nego što uskladištite električni alat.** Takve preventivne sigurnosne mere smanjuju rizik od slučajnog pokretanja električnog alata.
- d) **Čuvajte električne alate koje ne koristite izvan domašaja dece i ne dozvoljavajte osobama, koje nisu upoznate sa ovim električnim alatom ili sa ovim uputstvima, da rukuju električnim alatom.** U rukama neobučenih korisnika električni alati postaju opasni.
- e) **Održavajte električni alat i pribore. Proverite da li su pokretni delovi u ravni i da li negde zapinju, da nije došlo do lomljenja delova i svako drugo stanje koje može uticati na rad električnog alata. Ukoliko je oštećen, odnesite električni alat na popravku pre korišćenja.** Mnoge nesreće su prouzrokovane lošim održavanjem električnih alata.
- f) **Držite alate za sečenje oštre i čiste.** Brižljivo negovani alati za sečenje sa oštrim sečivima manje slepljuju i lakše se vode.
- g) **Upotrebljavajte električne alate, pribor, alate koji se umeću itd. prema ovim uputstvima. Obratite pažnju pritom na uputstva za rad i posao koji treba izvesti.** Upotreba električnih alata za druge od propisanih namena može voditi opasnim situacijama.
- h) **Održavajte drške i prihvatne površine suvim, čistim i bez ostataka ulja ili masnoće.** Klizave drške ili prihvatne površine ne omogućavaju bezbedno rukovanje i upravljanje alatom u neočekivanim situacijama.
- 5) SERVISIRANJE**
- a) **Vaš električni alat dajte na servisiranje samo kvalifikovanom licu za popravku, koristeći pritom samo identične rezervne delove.** Ovo će osigurati očuvanje bezbednosti električnog alata.

## SIGURNOSNA UPUTSTVA ZA UDARNE BUŠILICE

### OPŠTA

- Uvek se uverite da je napon struje isti kao i napon naveden na pločici sa nazivom alatu (alati na kojima je naveden napon od 230V ili 240V mogu da rade i na 220V)
- Ovaj alat ne treba da koriste osobe ispod 16 godina
- **Ne obradjujte nikakav materijal koji sadrži azbest** (azbest važi kao izazivač raka)
- Nikada nemojte da koristite alat ako je kabl oštećen; zamenu kabla mora da obavi stručno lice
- **Obavezno iskopčajte alat iz električne utičnice pre nego što izvršite bilo kakva podešavanja ili zamenu pribora**

### PRIBOR

- SKIL može priznati garanciju samo ukoliko je korišćen originalni pribor
- Koristite samo pribor čija je dozvoljena brzina u najmanju ruku jednaka najvećoj brzini pri praznom hodu električnog alata

### PRE UPOTREBE

- Produžni kabl koji koristite mora da bude sasvim odmotan i siguran, sa kapacitetom od 16 A
  - Izbegavajte oštećenja od šrafova, eksera i drugih predmeta na vašem području rada; uklonite ih pre nego što započnete rad
  - **Obezbedite radni predmet** (radni predmet stegnut pomoću stega ili nečeg sličnog je mnogo stabilniji neko kada se drži rukom)
  - **Koristite odgovarajuće aparate za proveru dali se u zidu koji bušimo nalaze skrivene instalacije, ili za taj posao nađite odgovarajuće preduzeće** (kontakt sa električnim vodovima može izazvati požar ili električni udar; oštećenje gasovoda može izazvati eksploziju; probijanje cevi sa vodom uzrokuje štete ili može izazvati električni udar)
  - Prašina od materijala, kao što su boja koja sadrži olovo, neke vrste drveta, minerali i metal, može biti opasna (dodir ili udisanje prašine može prouzrokovati alergijske reakcije i/ili respiratorna oboljenja rukovaoca i lica u blizini); **nosite masku protiv prašine i radite uz uključeni uredaj za ekstrakciju prašine kada radite na mestima gde ju je moguće priključiti**
  - Odredene vrste prašine su klasifikovane kao kancerogene (kao što su prašina hrastovine i bukovine), posebno u sadejstvu sa aditivima za pripremu drveta; **nosite masku protiv prašine i radite uz uključeni uredaj za ekstrakciju prašine kada radite na mestima gde ju je moguće priključiti**
  - Prati nacionalne propise vezane za prašinu koja se proizvodi prilikom rada na obrađivanim materijalima
- ### TOKOM UPOTREBE
- **Nosite zaštitu za sluh** (uticaj galame može uticati na gubitak sluha)
  - **Koristite sa uredjajem isporučene dodatne ručke** (gubitak kontrole može uticati na povrede)
  - **Držite električni alat za izolovane hvataljke kada izvodite radove kod kojih upotrebljeni alat može da susretne skrivene vodove struje ili kabl samog alata** (kontakt sa jednim vodom koji sprovodi struju može da

stavi pod napon metalne delove uređaja i da utiče na električni udar)

- Kabl uvek držite podalje od pokretnih delova alata
- U slučaju da dođe do električnog ili mehaničkog kvara, odmah isključite alat i iskopčajte ga iz utičnice
- Ako se kabl ošteti ili preseče u toku rada, odmah ga iskopčajte i nemojte ga dodirivati
- U slučaju iznenadne blokade burgije stvaranja povratnih sila pri alatu, alat odmah treba isključiti
- Obratite pažnju na nastale sile pri alatu tokom blokade (posebno pri bušenju metala); **alat uvek držati samo za bočnu dršku J** (5) i zauzeti siguran stav

#### NAKON UPOTREBE

- Kada završite rad sa alatom, isključite motor i proverite da li su se zaustavili svi pokretni delovi

#### OBJAŠNJENJE SIMBOLA NA ALATU

- ② Pročitajte uputstvo za korišćenje pre prve upotrebe
- ③ Dvostruka izolacija (nije potrebna žica za uzemljenje)
- ④ Alat ne odlažite u kućne otpatke

## UPUTSTVO ZA KORIŠĆENJE

- Uključivanje/isključivanje (6)
- Učvršćivanje prekidača za stalno bušenje (7)
- Zakočenje prekidača za lagani start (8)
- Kontrola maksimalne brzine (9)  
Točkom B (5) možete podesiti maksimalnu brzinu prema nivoima, od minimuma do maksimuma
- Izmena smera rotacije (10)
  - ako leva/desna pozicija ne ulegnu kako treba, prekidač A neće moći biti strtovan
- ! **smer rotacije menjati samo kada alat potpuno miruje**
- Podešavanje radnog režima (11)
  - pritisnite dugme F da biste otključali prekidač E
  - podesite prekidač E na željeni režim rada dok ne klikne u položaj
- ! **počnite sa radom samo ako je prekidač E zaključan**  
1 = normalno bušenje/uvrtanje  
2 = bušenje sa udarcima  
3 = rad sa rotirajućim dletom  
4 = rad sa fiksiranim dletom
- ! **podešavanje radnog režima se vrši samo kada je alatka isključena i utikač iskopčan**
  - mehanizam sa čekićem se aktivira blagim pritiskom alata dok se bits nalazi u dodiru sa materijalom za obradu
  - najbolji rezultati bušenja sa čekićem se postižu samo blagim pritiskom alata; rezultat bušenja se ne poboljšava jačim pritiskanjem alata
- Rad sa rotirajućim dletom (12)
  - ! **isključite alat i iskopčajte ga iz utičnice**
  - izaberite "rotirajući" režim dleta
- Rad sa fiksiranim dletom (13)
  - ! **isključite alat i iskopčajte ga iz utičnice**
  - izaberite "rotirajući" režim dleta
  - postavite dleto u željeni položaj
  - izaberite "fiksirani" režim dleta
- Izmena dlisteva (14)
  - ! **očistite i namažite SDS+ pribor uljem pre njegovog ubacivanja**
  - povucite steznu glavu G u nazad i ubacite pribor u SDS+ glavu, okrećite je i gurajte pribor dok ga ne zategnete; pribor se automatski sam zategne

- povucite pribor da bi proverili da li je čvrsto zategnut
- izvadite pribor tako što ćete povući u nazad steznu glavu G

! **SDS+ glava zahteva neograničenu slobodu pokreta, koja prouzrokuje ekscentričan rad alata u praznom hodiu; u toku rada se ona sama centrira; ovo nema uticaja na preciznost bušenja otvora**

! **nemojte upotrebljavati oštećene bitseve/dleta**  
Prilikom bušenja u drvetu, metalu i plastici kao i uvrtanju upotrebljavajte adapter H (15)

- očistite i namažite adapter uljem pre njegovog ubacivanja
- povucite steznu glavu G u nazad i ubacite adapter u SDS+ glavu, okrećite je i gurajte adapter dok ga ne zategnete; adapter se automatski sam zategne
- povucite adapter da bi proverili da li je čvrsto zategnut
- podesite prekidač E (5) za normalno bušenje (**podešavanje se vrši samo kada je alatka isključena i utikač iskopčan**)
- Sigurnosni mehanizam  
Prilikom blokade pribora, prekida se i rad vretena (dolazi do stvaranja buke)
  - odmah isključite alat
  - skinite blokirani pribor
  - ponovo uključite alat
- Podešavanje dubine bušenja (16)
- Držanje i upravljanje alata (17)
  - ! **dok radite, uvek držite alat za mesto(a) koje(a) su označena sivom bojom**
  - **alat uvek držati samo za bočnu dršku J** (može se podešavati kao na crtežu)
  - držite proreze za hlađenje otvorene
  - ne pritiskati alat previše, pustite da alat sam radi

## SAVETI ZA PRIMENU

- Koristiti odgovarajuće bitseve (18)
  - ! **upotrebljavajte samo oštre bitseve/dleta**
- Pri bušenju metala
  - prvo izbušiti malu rupu ako Vam je potrebna veća rupa
  - bitseve povremeno namažati uljem
- Pri uvrtanju šrafova na krajevima drveta prvo treba izbušiti malu rupu da bi se izbeglo listanje drveta
- Bušenje drveta bez listanja (19)
- Bušenje zidova bez prašine (20)
- Bušenje plafona bez prašine (21)
- Bušenje pločica bez proklizavanja (22)
- Za više saveta pogledajte [www.skil.com](http://www.skil.com)

## ODRŽAVANJE / SERVIS

- Ovaj alat nije namenjen za profesionalnu upotrebu
- Alat i kabl uvek održavajte čistim (posebno otvore za hlađenje K (5))
  - ! **pre čišćenja iskopčajte kabl iz utičnice**
- Ako bi alat i pored brižljivog postupka izrade i kontrole nekada otkazao, popravku mora vršiti neki autorizovani servis za SKIL-električne alate
  - pošaljite **nerastavljeni** alat zajedno sa potvrdom o kupovini vašem nabavljaču ili najbližem SKIL servisu (adrese i oznake rezervnih delova možete naći na [www.skil.com](http://www.skil.com))



## ZAŠTITA OKOLINE

- **Električne alate, pribora i ambalaže ne odlažite u kućne odpadke** (samo za EU-države)
  - prema Evropskoj direktivi 2012/19/EG o staroj električnoj i elektronskoj opremi i njenoj upotrebi u skladu sa nacionalnim pravom, električni alati koji su istrošeni moraju biti sakupljeni odvojeno i dostavljeni pogonu za reciklažu
  - simbol ④ će vas podsetiti na to

## BUKA / VIBRACIJE

- Mereno u skladu sa EN 60745 nivo pritiska zvuka ovog alata iznosi 91,0 dB(A) a jačina zvuka 102,0 dB(A) (normalno odstupanje: 3 dB), a vibracija \* m/s<sup>2</sup> (zbir vektora tri pravca; nesigurnost K = 1,5 m/s<sup>2</sup>)
    - \* pri bušenju sa čekićem betona 12,3 m/s<sup>2</sup>
    - \* pri klesanju 10,9 m/s<sup>2</sup>
  - Nivo emisije vibracija izmeren je u skladu sa standardizovanim testom datim u EN 60745; on se može koristiti za upoređenje jedne alatke sa drugom, kao i za preliminarnu procenu izloženosti vibracijama pri korišćenju ove alatke za pomenute namene
    - korišćenje alatke u drugačije svrhe ili sa drugačijim ili slabo održanim nastavcima može značajno **povećati** nivo izloženosti
    - vreme kada je alatka isključena ili kada je uključena, ali se njome ne radi, može značajno **smanjiti** nivo izloženosti
- ! zaštitite se od posledica vibracija održavanjem alatke i njenih nastavaka, održavajući Vaše ruke toplim i organizovanjem Vaših radnih obrazaca**

SL0

## Vrtalno kladivo

1763

### UVOD

- To orodje je namenjeno za udarno vrtnje sa pneumatskim mehanizmom u beton, opeko, kamnine in za lažja dletenja; z dodatnim priborom je namenjeno tudi vrtnju u les, kovino, keramiko in plastiko, uporabljiv je tudi za vijachenje
- Poseben udarni sistem s pneumatskim mehanizmom orodja deluje učinkoviteje od klasičnega vibracijskega vrtnja u beton
- To orodje ni namenjeno profesionalni uporabi
- To orodje je konstruirano za uporabo standardnega SDS+ pribora
- Preberite in shranite navodila za uporabo ②

### TEHNIČNI PODATKI ①

- \* Jakost posameznega udarca u skladu z EPTA-Procedure 05/2009

### DELI ORODJA ⑤

- A Vklplo/izkloplno stikalo in za nadzor hitrosti
- B Kolo za nastavitev maksimalne hitrosti
- C Gumb za blokiranje stikala
- D Ročica za preklp smeri vrtnja

- E Stikalo za izbiro načina delovanja
- F Gumb za sprostitvev stikala
- G Zatisna puša
- H Adapter + 13 mm glava
- J Pomožna ročka
- K Ventilacijske reže
- L Merilnik globine

## VARNOST

### SPLOŠNA VARNOSTNA OPOZORIILA ZA ELEKTRIČNA ORODJA

**⚠ OPOZORILO Preberite vsa varnostna opozorila, navodila, ilustracije in specifikacije, ki so priložene temu električnemu orodju.** Če spodaj navedenih napotkov ne upoštevate, lahko pride do električnega udara, požara in/ali težke poškodbe.

**Vsa opozorila in navodila shranite, saj jih boste v prihodnosti morda potrebovali.**

Pojem "električno orodje", ki se pojavlja v nadaljnjem besedilu, se nanaša na električna orodja z električnim pogonom (z električnim kablom) in na akumulatorska električna orodja (brez električnega kabla).

#### 1) VARNOST NA DELOVNEM MESTU

- a) **Poskrbite, da bo Vaše delovno mesto vedno čisto in urejeno.** Nered ali neosvetljena delovna področja lahko povzročijo nezgode.
- b) **Prosimo, da orodja ne uporabljate v okolju, kjer je nevarnost za eksplozije in v katerem se nahajajo gorljive tekočine, plini in prah.** Električna orodja povzročajo iskre, zato se gorljivi prah ali pare lahko vnamejo.
- c) **Ne dovolite otrokom in drugim osebam, da bi se medtem ko delate, približali električnemu orodju.** Druge osebe lahko odvrnejo Vašo pozornost drugam in izgubili boste nadzor nad orodje.

#### 2) ELEKTRIČNA VARNOST

- a) **Vtič mora ustrezati električni vtičnici in ga pod nobenim pogojem ne smete spreminjati.** Uporaba adapterskih vtičev v kombinaciji z ozemljena orodja ni dovoljena. Originalni oziroma nespremenjeni vtiči in ustrezne vtičnice zmanjšujejo tveganje električnega udara.
- b) **Izogibajte se telesnemu stiku z ozemljenimi površinami, na primer s cevmi, grelci, štedilniki in hladilniki.** Če je ozemljeno tudi vaše telo, obstaja povečano tveganje električnega udara.
- c) **Zavarujte orodje pred dežjem ali vlago.** Vdor vode v električno orodje povečuje tveganje električnega udara.
- d) **Električnega kabla ne uporabljajte za prenašanje ali obešanje orodja in ne vlecite vtič iz vtičnice tako, da vlečete za kabel.** Zavarujte kabel pred vročino, oljem, ostrimi robovi in premikajočimi se deli orodja. Poškodovani ali prepleteni kabli povečujejo tveganje električnega udara.
- e) **Če z električnim orodjem delate na prostem, uporabljajte izključno kabelski podaljšek, ki je atestiran za delo na prostem.** Uporaba kabelskega podaljška, primerne za delo na prostem, zmanjšuje tveganje električnega udara.

- f) Če je uporaba električnega orodja v vlažnem okolju neizogibna, uporabljajte prekinjevalec električnega tokokroga. Prekinjevalca električnega tokokroga zmanjšuje tveganje električnega udara.
- 3) OSEBNA VARNOST**
- a) **Bodite zbrani in pazite, kaj delate. Dela z električnim orodjem se lotite razumno. Nikoli ne uporabljajte orodja, če ste utrujeni in če ste pod vplivom mamil, alkohola ali zdravil.** En sam trenutek nepazljivosti pri uporabi orodja ima lahko za posledico resne telesne poškodbe.
- b) **Uporabljajte osebna zaščitna sredstva in vedno nosite zaščitna očala.** Uporaba osebnih zaščitnih sredstev, na primer maske proti prahu, ndrsečih zaščitnih čevljev, zaščitne čelade in glušnikov, odvisno od vrste in uporabe električnega orodja, zmanjšuje tveganje telesnih poškodb.
- c) **Izogibajte se nenamernemu zagonu. Pred priključitvijo električnega orodja na električno omrežje in/ali na akumulator in pred dviganjem ali nošenjem se prepričajte, če je električno orodje izklopljeno.** Prenašanje naprave s prstom na stikalo ali priključitev vklopljenega električnega orodja na električno omrežje je lahko vzrok za nezgodo.
- d) **Pred vklopom orodja odstranite z nje nastavitvena orodja ali vijaki ključ.** Orodje ali ključ, ki se nahajata na vrtečem se delu električnega orodja, lahko povzročita nezgodo.
- e) **Ne prečenjate se in poskrbite za varno stojišče in stalno ravnotežje.** Tako boste lahko v nepričakovani situaciji bolje obvladali orodje.
- f) **Oblecite se primerno. Ne nosite ohlapnih oblačil ali nakita. Las in oblačil ne približujte premikajočim se delom.** Ohlapna oblačila, nakit ali dolgi lasje se lahko ujamejo v premikajoče se dele.
- g) **Če je možno na orodje namestiti priprave za odsesavanje in prestrezanje prahu, prepričajte se, ali so le-te priključene in, če jih pravilno uporabljate.** Uporaba priprave za odsesavanje prahu zmanjšuje zdravstveno ogroženost zaradi prahu.
- h) **Naj seznanjenost z orodjem, ki jo pridobite s pogosto uporabo, ne bo razlog za to, da postanete lahkomišeln in ignorirate varnostna načela.** V delčku sekunde lahko nepozorno dejanje pripelje do hude poškodbe.
- 4) RAVNANJE IN NEGA ROČNEGA ORODJA**
- a) **Ne preobremenjujte orodja. Za določeno delo uporabljajte električno orodje, ki je predvideno za opravljanje tega dela.** Z ustreznim električnim orodjem boste delo opravili bolje in varneje, ker je bilo v ta namen tudi konstruirano.
- b) **Električno orodje, ki ima pokvarjeno stikalo, ne uporabljajte.** Električno orodje, ki ga ni možno vklopiti ali izklopiti, je nevarno in ga je potrebno popraviti.
- c) **Izvalcite vtič iz vtičnice in/ali odstranite akumulatorsko baterijo, če jo je mogoče izvzeti, še preden orodje popravljate, menjujete pribor ali ga shranite.** Ti preventivni varnostni ukrepi zmanjšajo tveganje za nenamenski zagon orodja.
- d) **Kadar orodja ne uporabljate ga shranjujte izven dosega otrok. Osebam, ki orodja ne poznajo ali niso prebrale teh navodil, orodja ne dovolite uporabljati.**

Električna orodja so nevarna, če jih uporabljajo neizkušene osebe.

- e) **Vzdržujte električna orodja in pribor. Preverite, če premikajoči se deli orodja delujejo brezhibno in če se ne zatikajo, oziroma, če kakšen del orodja ni zlomljen ali poškodovan do te mere, da bi oviral njegovo delovanje. Pred nadaljnjo uporabo je potrebno poškodovani del popraviti.** Vzrok za številne nezgode so ravno slabo vzdrževana električna orodja.
- f) **Rezalna orodja naj bodo ostrina in čista.** Skrbno negovana rezalna orodja z ostrimi rezili se manj zatikajo in so bolj vodljiva.
- g) **Električna orodja, pribor, nastavke in podobno uporabljajte v skladu s temi navodili. Pri tem upoštevajte delovne pogoje in vrsto dela, ki ga nameravate opraviti.** Zaradi uporabe električnega orodja v druge, nepredvidene namene, lahko nastanejo nevarne situacije.
- h) **Ročaji in površine za prijemanje naj bodo suhe, čiste in brez olja ali maščobe.** Gladki ročaji in površine za prijemanje ne omogočajo varne uporabe in nadzora orodja v nepričakovanih situacijah.
- 5) SERVISIRANJE**
- a) **Popravilo orodja lahko opravi samo usposobljena strokovna oseba in to izključno z originalnimi nadomestnimi deli.** Le tako bo ohranjena nadaljnja varnost orodja.

## VARNOSTNA NAVODILA ZA KLADIVA

### SPLOŠNO

- Vedno preverite, če je napetost omrežja enaka napetosti, ki je navedena na tablici orodja (orodje z nazivno napetostjo 230V ali 240V lahko priključite tudi na napetost 220V)
- Orodja naj ne bi uporabljale osebe mlajše od 16 let
- **Ne obdelujte materiala, ki vsebuje azbest** (azbest povzroča rakasta obolenja)
- Nikoli ne uporabljajte orodja, če je kabel poškodovan; okvaro naj odpravi strokovnjak
- **Vedno izvalcite električni vtič iz vtičnice preden spreminjate nastavitve ali menjate pribor**

### PRIBOR

- SKIL zagotavlja brezhibno delovanje orodja le z uporabo originalnega dodatnega pribora
- Uporabljajte lahko dodatni pribor, katerega dovoljena hitrost je najmanj enaka največji hitrosti orodja

### PRED UPORABO

- Uporabljajte povsem iztegnjene in varne električne podaljške, z jakostjo 16 amperov
- Izogibajte se poškodb zaradi vijakov, žebeljev ali drugih elementov v obdelovanecu; odstranite jih pred začetkom dela
- **Zavarujte obdelovanec** (obdelovanec stisnjen v prižemi ali primežu je bolj varen kot v roki)
- **Za iskanje skritih električnih, plinskih in vodovodnih cevi uporabite primerne iskalne naprave (detektorje) ali se posvetujte z lokalnimi podjetji** (stik z električnimi vodniki lahko povzroči požar ali električni udar; poškodbe plinovoda lahko povzročijo eksplozijo, vdor v vodovodno omrežje pa materialno škodo ali električni udar)

- Prah materialov, kot so barve, ki vsebujejo svinec, nekatere vrste lesa, mineralov ali kovin so lahko škodljivi (ob stiku ali vdihavanju lahko prah pri delavcu ali pri drugih prisotnih povzroči alergijsko reakcijo in/ali boleznih dihal); **nosite masko za prah in pri delu uporabljajte napravo za odsesavanje prahu, kjer je le-to možno priključiti**
- Nekaterе vrste prahu so klasificirane kot kancerogene (kot npr. prah hrasta in bukve) še posebno ob sočasni uporabi z dodatki za obdelavo lesa; **nosite masko za prah in pri delu uporabljajte napravo za odsesavanje prahu, kjer je le-to možno priključiti**
- Upoštevajte nacionalne zahteve glede prahu za materiale katere želite obdelovati

## MED UPORABO

- **Nosite zaščitne glušnike** (vpliv hrupa lahko povzroči izgubo sluha)
- **Uporabljajte dodatne ročaje, ki so priložene orodju** (izguba nadzora nad napravo lahko povzroči poškodbe)
- **Električno orodje smete držati le na izoliranem ročaju, če delate na območju, kjer lahko vstavljeno orodje pride v stik s skritimi omrežnimi napeljavami ali lastni omrežni kabel** (stik z napeljavo, ki je pod napetostjo povzroči, da so posledično tudi kovinski deli orodje pod napetostjo in to vodi do električnega udara)
- Kabel naj bo vedno odmaknjen od gibljivih delov stroja
- Če pride do električnih ali mehanskih okvar, takoj izklopite stroj in izvlecite vtičak iz vtičnice
- Če je priključni kabel poškodovan ali se med delom pretрга se ga ne dotikajte, temveč takoj potegnite električni vtičak iz vtičnice
- Če se sveder pri vrтанju nepričakovano zagozdi (zaradi nenadnih, nevarnih pritiskov), takoj izključite orodje
- Pazite na nenadne sile, ki nastanejo zaradi blokiranja pri vrтанju (posebno pri vrтанju v kovino); **vedno uporabljajte stranski ročaj J** ⑤ in si zagotovite stabilno in varno pozicijo

## PO UPORABI

- Ko orodje postavite v stran, izklopite motor in pazite, da se vsi premikajoči se deli orodja popolnoma zaustavijo

## POJASNILO OZNAK NA ORODJU

- ② Pred uporabo preberite navodila za uporabo
- ③ Dvojna izolacija (ozemljitveni kabel ni potreben)
- ④ Orodja ne odstranjujte s hišnimi odpadki

## UPORABA

- Vklp/izklop ⑥
- Aretacija stikala ⑦
- Nastavitev števila vrtljajev za nežnejši start vrtalnika ⑧
- Nastavitev maksimalne hitrosti ⑨  
Z gumbom B ⑤ se lahko maksimalna hitrost brezstopenjsko nastavlja od nizke do visoke
- Menjava smeri vrтанja ⑩  
- v primeru, da preklopnik smeri vrтанja ni v pravilnem položaju ni možno vklopiti stikala A  
**! preklop smeri vrтанja izvesti le pri popolnoma mirujočemu orodju**
- Nastavitev načina delovanja ⑪  
- pritisnite gumb F, da sprostite stikalo E  
- obrnite stikalo E na zeleni način delovanja, dokler se ne zaskoči

## ! z delom pričnite le, ko se stikalo E zaskoči na mestu

- 1 = normalno vrтанje/vijačenje
- 2 = udarno vrтанje
- 3 = klesanje z dletom, ki se vrti
- 4 = klesanje z dletom, ki se ne vrti

## ! način delovanja izberite le pri izključenem orodju in ko je vtičak izključen

- udarno vrтанje s pnevmatskim mehanizmom je aktiviran z rahlim pritiskom svedra na obdelovanec
- dober učinek udarnega vrтанja s pnevmatskim mehanizmom bo dosežen že z rahlim pritiskom na orodje; vrtalni učinek se ne bo povečal z večjim pritiskom na orodje
- Klesanje z dletom, ki se vrti ⑫  
**! izklopite orodje in izvlecite vtičak iz vtičnice**  
- izberite način klesanja z dletom, ki se vrti
- Klesanje z dletom, ki se ne vrti ⑬  
**! izklopite orodje in izvlecite vtičak iz vtičnice**  
- izberite način klesanja z dletom, ki se vrti  
- namestite dleto v zelen položaj  
- izberite način klesanja z dletom, ki se ne vrti
- Menjava nastavkov ⑭  
**! pred vpetjem pribor SDS+ očistite in narahlo naoljite**  
- potegnite nazaj zatiska puša G in vstavite pribor v glavo SDS+; med vstavljanjem pribor narahlo obračajte in ga potiskajte v glavo; pribor se bo samodejno zaskočil  
- preverite pravilnost vpetja pribora s ponovnim izvlečenjem iz glave  
- odstranite pribor s potegom nazaj zatiska puša G nazaj  
**! SDS+ pribor se prosto premika, ko ni obremenjen; med delom se avtomatsko centrira, brez vpliva na točnost vrтанja**  
**! ne uporabljajte nastavke/dlet s poškodovanim stebлом**

Pri vrтанju v les, kovino in plastiko in tudi za vijačenje uporabite adapter H ⑮

- pred vpetjem adapter očistite in narahlo naoljite
- potegnite nazaj zatiska puša G in vstavite adapter v glavo SDS+; med vstavljanjem adapter narahlo obračajte in ga potiskajte v glavo; adapter se bo samodejno zaskočil
- preverite pravilnost vpetja adaptera s ponovnim izvlečenjem iz glave SDS+
- naravnajte stikalo E ⑤ na običajno vrтанje (**naravnati le pri izključenem orodju in ko je vtičak izključen**)
- Varnostna sklopka  
V primeru blokade pribora v obdelovancu se vrтанje gredi prekine (zazna se rožljajoč zvok)  
- takoj izključite orodje  
- odstranite blokirano orodje  
- ponovno vključite orodje
- Nastavitev globine vrтанja ⑯
- Držanje in vodenje orodja ⑰  
**! med delom vedno držite orodje za sivo obarvano mesto oprijema**  
- **vedno uporabljajte stranski ročaj J** (nastavljiv, kot je ilustrirano)  
- ventilacijske reže morajo biti nepokrite  
- ne pritiskajte na orodje premočno, pustite da orodje sam opravi delo

## UPORABNI NASVETI

- Uporabljajte ustrezne nastavke ⑩
- ! **vedno uporabljajte ostre nastavke/dlete**
- Pri vrtnanju v kovine
  - naprej izvrtajte manjšo luknjo, šele nato večjo
  - sveder občasno naoljite
- Pri vijachenju vijaka v les v bližini robu je potrebno predvrtati luknjo, s čimer boste preprečili pokanje lesa
- Vrtanje v les brez odlomljenih koščkov ⑱
- Vrtanje v stene z zaščito proti prahu ⑳
- Vrtanje v strop z zaščito proti prahu ㉑
- Vrtanje v ploščice brez spodrsavanja ㉒
- Za več nasvetov glejte pod [www.skil.com](http://www.skil.com)

## VZDRŽEVANJE/SERVISIRANJE

- Orodje ni namenjeno profesionalni uporabi
- Priključni kabel in orodje naj bosta vedno čista (posebej še prezračevalne odprtine K ⑤)
- ! **izvlecite vtiaka iz vtičnice pred čiščenjem**
- Če bi kljub skrbnim postopkoma izdelave in preizkušanja prišlo do izpada delovanja orodja, naj popravilo opravi servisna delavnica, pooblaščenca za popravila SKILevih električnih orodij
  - pošljite **nerazstavljeno** orodje skupaj s potrdilom o nakupu pri vašemu prodajalcu v najbližjo SKIL servisno delavnico (naslovi, kot tudi spisek rezervnih delov se nahaja na [www.skil.com](http://www.skil.com))

## OKOLJE

- **Električnega orodja, pribora in embalaže ne odstranjujte s hišnimi odpadki** (samo za države EU)
  - v skladu z Evropsko direktivo 2012/19/EG o odpadni električni in elektronski opremi in z njenim izvajanjem v nacionalni zakonodaji je treba električna orodja ob koncu njihove življenjske dobe ločeno zbirati in jih predati v postopek okolju prijaznega recikliranja
  - ko je potrebno odstranjevanje, naj vas o načinu spomni simbol ④

## HRUP / VIBRACIJA

- Izmerjeno v skladu s predpisom EN 60745 je raven zvočnega pritiska za to orodje 91,0 dB(A) in jakosti zvoka 102,0 dB(A) (standarden odmik: 3 dB), in vibracija \* m/s<sup>2</sup> (vektorska vsota treh smeri; netočnost K = 1,5 m/s<sup>2</sup>)
  - \* pri udarnem vrtnanju s pnevmatskim mehanizmom v beton 12,3 m/s<sup>2</sup>
  - \* pri klesanju 10,9 m/s<sup>2</sup>
- Raven oddajanja vibracij je bila izmerjena v skladu s standardiziranimi testi, navedenimi v EN 60745; uporabiti jo je mogoče za primerjavo različnih orodij med seboj in za predhodno primerjavo izpostavljenosti vibracijam pri uporabi orodja za namene, ki so omenjeni
  - uporaba orodja za drugačne namene ali uporaba skupaj z drugimi, slabo vzdrževanimi nastavki lahko znatno **poveča** raven izpostavljenosti
  - čas, ko je orodje izklopljeno ali ko teče, vendar z njim ne delamo, lahko znatno **zmanjša** raven izpostavljenosti

! **pred posledicami vibracij se zaščitite z vzdrževanjem orodja in pripadajočih nastavkov, ter tako, da so vaše roke tople, vaši delovni vzorci pa organizirani**

EST

## Puurvasar

1763

## SISSEJUHATUS

- Tööriist on ettenähtud betooni, müüritise ja kivimi vasarapuurimiseks ning kergeteks meiseldustöödeks; puidu, metalli ja plastmaterjalide puurimiseks ning kruvikeeramistöödeks tuleb kasutada spetsiaalseid lisatarvikuid
- Tööriista vasarapuurimisüsteem ületab betooni puurimiselvõimsuse poolest kõiki tavalisi löökpuitrelle
- See tööriist pole mõeldud professionaalsete kasutamiseks
- Tööriist on võimalik kasutada kõiki tavapäraseid SDS+ tarvikuid
- Palun lugege käesolev kasutusjuhend hoolikalt läbi ja hoidke alles ②

## TEHNILISED ANDMED ①

\* Löögitugevus EPTA-Procedure 05/2009 kohaselt

## SEADME OSAD ⑤

- A Lülititööriista sisse-/väljalülitamiseks ja kiiruse kontrollimiseks
- B Maksimumkiiruse kontrollregulaator
- C Lülitit lukustussnupp
- D Hoob pöörlemisuuuna muutmiseks
- E Tööriista lülitit
- F Lahtikeeramise nupp
- G Fikseerimisrõngas
- H Adapter + 13 mm padrun
- J Lisakäepide
- K Õhutusavad
- L Sügavusmõõdik

## OHUTUS

### ÜLDISED OHUTUSNÕUDED ELEKTRILISTE TÖÖRIISTADE KASUTAMISEL

**⚠ TÄHELEPANU** Lugege läbi kõik elektrilise tööriistaga kaasas olevad ohutusnõuded ja juhised ning tutvuge jooniste ja tehniliste andmetega. Ohutusnõuete ja juhiste eiramise tagajärjeks võib olla elektrilööki, tulekahju ja/või rasked vigastused.

**Hoidke kõik ohutusnõuded ja juhised edaspidiseks alles.**

Allpool kasutatud mõiste "elektriline tööriist" käib võrgutoitega (toitejuhtmega) elektriliste tööriistade ja akutoitega (ilma toitejuhtmata) elektriliste tööriistade kohta.

## 1) OHUTUSNÕUDED TÕÕPIIRKONNAS

- a) **Hoidke töökoht puhas ja korras.** Segadus või valgustamata tööpiirkonnad võivad põhjustada õnnetusi.
- b) **Ärge kasutage seadet plahvatusohtlikus keskkonnas, kus leidub tuleohtlikke vedelikke, gaase või tolmu.** Elektrilistest tööriistadest lööb sädemeid, mis võivad tolmu või auru süüdata.
- c) **Kui kasutate elektrilist tööriista, hoidke lapsed ja teised isikud töökohast eemal.** Kui Teie tähelepanu kõrvale juhitakse, võib seade Teie kontrolli alt väljuda.

## 2) ELEKTROOHUTUS

- a) **Seadme pistik peab pistikupessa sobima. Pistiku kallal ei tohi teha mingeid muudatusi. Ärge kasutage kaitseseadusega seadmete puhul adapterpistikuid.** Muutmata pistikud ja sobivad pistikupesad vähendavad elektrilöögi saamise riski.
- b) **Vältige kehakontakti maandatud pindadega, nagu torud, radiaatorid, pliigid ja külmikud.** Kui Teie keha on maandatud, on elektrilöögi risk suurem.
- c) **Hoidke seadet vihma ja niiskuse eest.** Kui elektriseadmesse on sattunud vett, on elektrilöögi saamise risk suurem.
- d) **Ärge kasutage toitejuhet selleks mitte ettenähtud otstarbel seadme kandmiseks, ülesriputamiseks ega pistiku pistikupesast väljatõmbamiseks. Hoidke toitejuhet kuumuse, õli, teravate servade ja seadme liikuvate osade eest.** Kahjustatud või keerduläänud toitejuhtmed suurendavad elektrilöögi saamise riski.
- e) **Kui töötate elektrilise tööriistaga vabas õhus, kasutage ainult selliseid pikendusjuhtmeid, mida on lubatud kasutada ka välistingimustes.** Välistingimustes kasutamiseks sobiva pikendusjuhtme kasutamine vähendab elektrilöögi saamise riski.
- f) **Kui elektrilise tööriista kasutamine niiskes keskkonnas on vältimatu, kasutage maandusega lekkevoolukaitses.** Maandusega lekkevoolukaitsme kasutamine vähendab elektrilöögi ohtu.

## 3) INIMESTE TURVALISUS

- a) **Olge tähelepanelik, jälgige, mida Te teete, ning toimige elektrilise tööriistaga töötades mõistlikult. Ärge kasutage seadet, kui olete väsinud või uimastite, alkoholi või ravimite mõju all.** Hetkeline tähelepanematus seadme kasutamisel võib põhjustada tõsiseid vigastusi.
- b) **Kandke isikukaitsesevahendeid ja alati kaitseprille.** Isikukaitsesevahendid, nagu tulumaska, libisemiskindlad turvajalatsid, kaitsekiiver või kuulmiskaitsesevahendid, kandmine – sõltuvalt elektrilise tööriista tüübist ja kasutusala – vähendab vigastuste riski.
- c) **Vältige seadme tahtmatut käivitamist. Enne pistiku ühendamist pistikupessa, aku ühendamist seadme külge, seadme ülestõstmist ja kandmist veenduge, et elektriline tööriist on välja lülitatud.** Kui hoiate elektrilise tööriista kandmisel sõrme lülilil või ühendate vooluvõrku sisselülitatud seadme, võivad tagajärjeks olla õnnetused.
- d) **Enne seadme sisselülitamist eemaldage selle küljest reguleerimis- ja mutrivõtmed.** Seadme pöörleva osa küljes olev reguleerimis- või mutrivõti võib põhjustada vigastusi.

- e) **Ärge hinnake end üle. Võtke stabiilne tööasend ja hoidke kogu aeg tasakaalu.** Nii saate seadet ootamatutes olukordades paremini kontrollida.
  - f) **Kandke sobivat rõivastust. Ärge kandke laiu riideid ega ehteid. Hoidke juuksed ja rõivad seadme liikuvatest osadest eemal.** Lotendavad riided, ehted või pikad juuksed võivad sattuda seadme liikuvate osade vahele.
  - g) **Kui on võimalik paigaldada tolmueemaldus- ja tolmu kogumisseadiseid/seadmeid, veenduge, et need oleksid seadmega ühendatud ja et neid kasutataks õigesti.** Tolmueemaldusseadise kasutamine vähendab tolmu stabiilset ohtu.
  - h) **Ärge muutuge tööriista sagedasest kasutamisest hooletuks ja ärge eirake ohutusnõudeid.** Hooletus võib sekundi murdosa jooksul kaasa tuua raskeid vigastusi.
- ## 4) ELEKTRILISTE TÕÕRIISTADE HOOLIKAS KÄSITSEMINE JA KASUTAMINE
- a) **Ärge koormake seadet üle. Kasutage töö tegemiseks selleks ettenähtud elektrilist tööriista.** Sobiva elektrilise tööriistaga töötate paremini ja turvalisemalt ettenähtud võimsusvahemikus.
  - b) **Ärge kasutage elektrilist tööriista, mille lüliti on rikkis.** Elektriline tööriist, mida ei ole enam võimalik sisse ja välja lülitada, on ohtlik ning seda tuleb remontida.
  - c) **Tõmmake pistik pistikupesast välja ja/või eemaldage seadme aku, kui on eemaldatav, enne seadme reguleerimist, tarvikute vahetamist ja seadme ärapanekut.** See ettevaatusabinõu väldib seadme tahtmatut käivitamist.
  - d) **Kasutavälisel ajal hoidke elektrilisi tööriistu lastele kättesaamatuks. Ärge laske seadet kasutada isikutel, kes seda ei tunne või pole siintoodud juhiseid lugenud.** Kogenematute kasutajate käes kujutavad elektrilised tööriistad ohtu.
  - e) **Hoolitsege elektriliste tööriistade ja tarvikute eest korralikult. Kontrollige, kas seadme liikuvad osad funktsioneerivad korralikult ja ei kiildu kinni, ning ega mõned osad ei ole katki või sel määral kahjustatud, et võiksid mõjutada seadme töökindlust. Laske kahjustatud osad enne seadme kasutamist parandada.** Paljude õnnetuste põhjuseks on halvasti hooldatud elektrilised tööriistad.
  - f) **Hoidke lõiketarvikud teravad ja puhtad.** Hoolikalt hoitud, teravate lõikeservadega lõiketarvikud kiilduvad harvemini kinni ja neid on lihtsam juhtida.
  - g) **Kasutage elektrilist tööriista, lisavarustust, tarvikuid jne vastavalt siintoodud juhiste. Arvestage seejuures töötingimuste ja teostatava töö iseloomuga.** Elektriliste tööriistade kasutamine mitte ettenähtud otstarbel võib põhjustada ohtlikke olukordi.
  - h) **Hoidke käepidemed ja haardepinnad kuiva ja puhtana ning vabana õlist ja määrdeainetest.** Libedad käepidemed ja haardepinnad ei luba tööriista ohutult käsitseda ja ootamatutes olukordades kontrolli all hoida.
- ## 5) TEENINDUS
- a) **Laske seadet parandada ainult kvalifitseeritud spetsialistidel ja ainult originaalvaruosadega.** Nii tagate seadme püsimise turvalisena.

## OHUTUSJUHISED PUURVASARATE KOHTA

### ÜLDIST

- Kontrollige alati, kas võrgupinge ühtib tööriista andesildil toodud pingega (andesildil toodud 230V või 240V korral võib tööriistad kasutada ka 220V võrgupinge puhul)
- Tööriista kasutaja peab olema vähemalt 16 aastat vana
- **Asbestisisaldava materjali töötlemine on keelatud** (asbest võib tekitada vähki)
- Ärge kunagi kasutage kahjustatud toitejuhtmega tööriista; laske toitejuhe remonditöökojas välja vahetada
- **Enne seadme reguleerimist või tarviku vahetust eemaldage seade vooluvõrgust (tõmmake pistik pistikupesast välja)**

### TARVIKUD

- SKIL tagab seadme häireteta töö üksnes originaaltarvikute kasutamisel
- Kasutage vaid neid tarvikuid, mille lubatud pöörete arv on vähemalt sama suur nagu maksimaalsed tühikäigupöörded

### ENNE KASUTAMIST

- Pikendusjuhtmete kasutamisel jälgige, et juhe oleks lõpuni lahti keritud ja vastaks 16 A voolutugevusele
- Vältige töödeldavas esemes olevatest kruvidest, naeltest vms põhjustatud kahjustusi; eemaldage need enne töö alustamist
- **Fikseerige toorik** (fiksaatoriga kinnitatud või kruustangide vahele pandud toorik püsib kindlamini paigal kui lihtsalt käega hoides)
- **Varjatult paiknevate elektrijuhtmete, gaasi- või veetorude avastamiseks kasutage sobivaid otsimiseseadmeid või pöörduge kohaliku elektri-, gaasi- või vee-ettevõtte poole** (kokkupuutel elektrijuhtmetega tulekahju- ja elektrilöögioht; gaasitorustiku vigastamisel plahvatusoht; veetorustiku vigastamisel materiaalne kahju või elektrilöögioht)
- Värviga kaetud juhtmed, mõned puiduliigid, mineraalid ja metall eraldavad tolmu, mis võib olla kahjulik (kokkupuude tolmu või selle sissehingamine võib seadme kasutajal või läheduses viibivatel inimestel põhjustada allergilisi reaktsioone ja/või hingamisteede haigusi); **kandke tolumumaski ja vajaduse korral töötaga külgeühendatava tolmuemalduseseadmega**
- Teatud tüüpi tolm on klassifitseeritud kantserogeensena (nt tammest ja kasest eralduv tolm), eriti koos puudu niiskuse reguleerimiseks kasutatavate lisanditega; **kandke tolumumaski ja vajaduse korral töötaga külgeühendatava tolmuemalduseseadmega**
- Erinevate materjalide töötlemisel tekkiva tolmu käitlemisel tuleb järgida kehtivaid nõudeid

### KASUTAMISE AJAL

- **Kandke kuulmiskaitsevahendeid** (müra võib kahjustada kuulmist)
- **Kasutage seadme tarnekomplekti kuuluvaid lisakäepidemeid** (kontrolli kaotus seadme üle võib põhjustada vigastusi)
- **Kui teostate töid, mille puhul võib tarvik tabada varjatud elektrijuhtmeid või seadme enda toitejuhet, hoidke seadet ainult isoleeritud käepidemest** (kontakt pinge all oleva elektrijuhtmega võib pingestada seadme metallosad ja põhjustada elektrilöögi)

- Vältige toitejuhtme kokkupuutumist seadme pöörlevate osadega
- Seadme elektrilise või mehhaanilise häire korral lülitage seade viivitamatult välja ja eemaldage pistik vooluvõrgust
- Kui toitejuhe saab töötamisel ajal kahjustada või see lõgatakse läbi, ärge toitejuhet puutuge, vaid eemaldage koheselt pistik vooluvõrgust
- Kui puur ootamatult blokeerub (põhjustades järsu, ohtliku reaktsiooni), lülitage seade koheselt välja
- Pöörake tähelepanu blokeerumisel tekkivatele jõududele (eriti metalli puurimisel); **hoidke tööriista alati külgekäepidemest J** <sup>(5)</sup> ja võtke stabiilne tööasend

### PÄRAST KASUTAMIST

- Enne tööriista juurest lahkumist lülitage see välja ning oodake, kuni selle liikuvad osad on täielikult seiskunud

### TÖÖRIISTAL OLEVATE SÜMBOLITE SELGITUS

- ② Enne kasutamist tutvuge kasutusjuhendiga
- ③ Topeltisolasioon (maandusjuhe pole vajalik)
- ④ Ärge visake kasutuskõlbmatuks muutunud tööriista ära koos olmejäätmetega

## KASUTAMINE

- Sisse/välja <sup>(6)</sup>
- Lüliti lukustamine pidevaks tööks <sup>(7)</sup>
- Pöörete arvu reguleerimine sujuvaks käivituseks <sup>(8)</sup>
- Maksimumkiiruse kontroll <sup>(9)</sup>
- Regulaatoriga B <sup>(5)</sup> saab maksimaalpööreid vastavas vahemikus sujuvalt reguleerida
- Pöörlemisuuuna ümberlülitamine <sup>(10)</sup>
  - kui lüliti ei ole korralikult fikseerunud vasakus/paremas asendis, ei ole võimalik töölülitile A vajutada
- ! **pöörlemisuuuna tohib muuta üksnes siis, kui seade on täielikult seiskunud**
- Töörežiimi valik <sup>(11)</sup>
  - vajutage nupule F lüliti E lahtikeeramiseks
  - pöörake lüliti E soovitud tööasendisse kuni see klõpsatab kinni
- ! **alutage töötamist vaid siis, kui lüliti E on lukustatud**
  - 1 = tavaline puurimine/ kruvide keeramine
  - 2 = löökpuurimine
  - 3 = meiseldamine pöörleva meisliga
  - 4 = meiseldamine fikseeritud meisliga
- ! **töörežiimi tohib muuta vaid siis, kui seade on välja lülitatud ja pistik on vooluvõrgust eemaldatud**
- vasarapuurimismehhanismi aktiveerib tööriistale avaldatav kerge surve, kui puur puutub vastu töödeldavat eset
- parimad vasarapuurimistulemused saate, kui rakendate tööriistale üksnes kergest survet; tugevam surve ei paranda puurimistulemust
- Meiseldamine pöörleva meisliga <sup>(12)</sup>
- ! **lülitage seade välja ja eemaldage pistik pistikupesast**
- valige "pöörlemisega" meiseldusrežiim
- Meiseldamine fikseeritud meisliga <sup>(13)</sup>
- ! **lülitage seade välja ja eemaldage pistik pistikupesast**
- valige "pöörlemisega" meiseldusrežiim
- pöörake meisel soovitud asendisse
- valige fikseeritud meiseldusrežiim

- Otsakute vahetamine <sup>(14)</sup>  
! **enne padrunisse asetamist tuleb SDS+ tarvik puhastada ja kergelt määrida**
- tõmmake fikseerimisrõngas G tagasi ja lükake tarvik pöördliigutusega SDS+ padrunisse; tarvik lukustub automaatselt
- kontrollige lukustust, tõmmates tarvikust
- tarviku eemaldamiseks tõmmake fikseerimisrõngast G tahapoole
- ! **SDS+ tarvik peab saama padrunis vabalt liikuda; see põhjustab tühikäigul tarviku mõningase "viskumise"; puurimisel tsentreerub tarvik padrunis automaatselt ja seetõttu ei mõjuta tühikäigul tekkiv "viskumine" puurimistäpsust**
- ! **ärge kasutage kahjustatud varrega otsakuid/meisleid**

Puidu, metalli ja plastmaterjalide puurimiseks ning kruvide keeramiseks kasutage adapterit H <sup>(15)</sup>

- enne paigaldamist tuleb adapter puhastada ja kergelt määrida
- tõmmake fikseerimisrõngas G tagasi ja lükake adapter pöördliigutusega SDS+ padrunisse; adapter lukustub automaatselt
- kontrollige lukustust, tõmmates adapterist
- ükake lüliti E <sup>(5)</sup> tavalise puurimise asendisse (**kui seade on välja lülitatud ja pistik on vooluvõrgust eemaldatud**)
- Kaitsesidur  
Peatab tarviku kinnikiidumisel spindli pöörlemise
- lülitage seade kohe välja
- eemaldage kinnikiidunud tarvik
- lülitage seade uuesti sisse
- Puurimissügavuse reguleerimine <sup>(16)</sup>
- Tööriista hoidmine ja juhtimine <sup>(17)</sup>  
! **töötamise ajal hoidke tööriista kinni korpuse ja käepideme halli värvi osadest**
- **hoidke tööriista alati külgkäepidemest J** (reguleerivat vastavalt joonisele)
- hoidke õhutusavad kinnikatmata
- ärge suruge tööriistale liigselt; laske sellel enda heaks töötada

## TÖÖJUHISED

- Kasutage sobivaid otsakuid <sup>(18)</sup>  
! **kasutage ainult teravaid otsakuid/meisleid**
- Metall puurimisel  
- kui vajate suuremat auku, puurige alul ette väike auk - määrige otsakuid aeg-ajalt õliga
- Kruvi keeramisel puidu otsapiirkonda on soovitatav auk ette puurida, et vältida puidu lõhenemist
- Puidu puurimine puitu kahjustamata <sup>(19)</sup>
- Müüritise puurimine tolm tekitamata <sup>(20)</sup>
- Lagede puurimine tolm tekitamata <sup>(21)</sup>
- Keraamiliste plaatide puurimine, ilma et puur libiseks <sup>(22)</sup>
- Rohkem nõuandeid leiate aadressil [www.skil.com](http://www.skil.com)

## HOOLDUS/TEENINDUS

- Tööriist pole mõeldud professionaalseks kasutamiseks
- Hoidke seade ja toitejuhe alati puhtad (eriti õhutusavad K <sup>(5)</sup>)  
! **enne puhastamist eemaldage seade vooluvõrgust**

- Tööriist on hoolikalt valmistatud ja testitud; kui tööriist sellest hoolimata rikki läheb, tuleb see lasta parandada SKILi elektriliste käsitööriistade volitatud remonditöökojas
- toimetage **lahtimonteerimata** seade koos ostukviitungiga tarnijale või lähimasse SKILi lepingulisse töökotta (aadressid ja tööriista varuosade joonise leiate aadressil [www.skil.com](http://www.skil.com))

## KESKKOND

- **Ärge visake kasutuskoõlmatuks muutunud elektrilisi tööriistu, lisatarvikuid ja pakendeid ära koos olmejäätmetega** (üksnes EL liikmesriikidele)
- vastavalt Euroopa Parlamendi ja nõukogu direktiivile 2012/19/EÜ elektri- ja elektroonikaseadmete jäätmete kohta ning direktiivi nõuete kohaldamisele liikmesriikides tuleb kasutuskoõlmatuks muutunud elektrilised tööriistad koguda eraldi ja keskkonnasäästlikult korduvkasutada või ringlusse võtta
- seda meenutab Teile sümbol <sup>(4)</sup>

## MÜRA / VIBRATSIOON

- Vastavalt kooskõlas normiga EN 60745 läbi viidud mõõtmistele on tööriista helirõhk 91,0 dB(A) ja helitugevus 102,0 dB(A) (standardkõrvalekalle: 3 dB), ja vibratsioon \* m/s<sup>2</sup> (kolme telje vektorsumma; mõõtemääramatus K = 1,5 m/s<sup>2</sup>)  
\* betooni vasarapuurimisel 12,3 m/s<sup>2</sup>  
\* meiseldustöödel 10,9 m/s<sup>2</sup>
- Tekkiva vibratsiooni tase on mõõdetud vastavalt standardis EN 60745 kirjeldatud standarditud testile; seda võib kasutada tööriistade võrdlemiseks ja tööriista kasutamisel ettenähtud töödeks esineva vibratsiooni esialgseks hindamiseks
- tööriista kasutamisel muudeks rakendusteks või teiste/ halvasti hooldatud tarvikute kasutamisel võib vibratsioon märkimisväärselt **suureneda**
- ajal, kui tööriist on väljalülitatud või on küll sisselülitatud, kuid tegelikult seda ei kasutata, võib vibratsioon märkimisväärselt **väheneda**
- ! **enda kaitsmiseks vibratsiooni eest hooldage tööriista ja selle tarvikuid korralikult, hoidke oma käed soojad ja tagage sujuv töökorraldus**

LV

## Perforators

1763

## IEVADS

- Šis instruments ir paredzēts veserurbšanai betonā, ķieģelī un akmenī, kā arī viegliem kalšanas darbiem; lai veiktu rotācijas urbšanu kokā, metālā un plastmasā, kā arī skrūvju ieskrūvēšanu, jālieto speciāli papildpiederumi
- Veicot urbšanu betonā, šā instrumenta veserurbšanas sistēma efektivitātes ziņā pārspēj jebkuru tradicionāli lietojamo triecienuurbjamsīnu
- Šis instruments nav paredzēts profesionālai lietošanai

- Šis instruments ir paredzēts izmantošanai kopā ar visiem SDS+ sistēmas darbinstrumentiem
- Izlasiet un saglabājiet šo pamācību ②

## TEHNISKE PARAMETRI ①

- \* Atsevišķo triecienu enerģija atbilstoši EPTA-Procedure 05/2009

## INSTRUMENTA ELEMENTI ⑤

- A Ieslēdzējs un griešanās ātruma regulators
- B Pirkstrats maksimālā griešanās ātruma priekšiestādīšanai
- C Poga ieslēdzēja fiksēšanai
- D Rotācijas virziena svira
- E Darba režīma pārslēdzējs
- F Atbloķēšanas poga
- G Fiksējošā uzmvava
- H Adapters + 13 mm patrona
- J Papildrokturis
- K Ventilācijas atveres
- L Dziluma mērinstruments

## DROŠĪBA

### VISPĀRĒJIE NOTEIKUMI ELEKTROINSTRUMENTU DROŠAI LIETOŠANAI

**▣ BRĪDINĀJUMS** Izlasiet drošības noteikumus un instrukcijas, aplūkojiet ilustrācijas un iepazīstieties ar specifikācijām, kas tiek piegādātas kopā ar šo elektroinstrumentu. Šeit sniegto drošības noteikumu un instrukciju neievērošana var izraisīt aizdegšanos un būt par cēloni elektriskam triecienam vai nopietnam savainojumam.

**Saglabājiet visus drošības noteikumus un instrukcijas turpmākai izmantošanai.**

Turpmākajā izklāstā lietotais apzīmējums "elektroinstruments" attiecas gan uz tīkla elektroinstrumentiem (ar elektrokabeļi), gan arī uz akumulatora elektroinstrumentiem (bez elektrokabeļa).

#### 1) DROŠĪBA DARBA VIETĀ

- a) **Sekojiēt, lai darba vieta būtu tīra un sakārtota.** Nekārtīgā darba vietā vai sliktā apgaismojumā var viegli notikt nelaimes gadījums.
- b) **Nelietojiet elektroinstrumentu eksplozīvu vai ugunsnedrošu vielu tuvumā un vietās ar paaugstinātu gāzes vai putekļu saturu gaisā.** Darba laikā instruments nedaudz dzirkstejo, un tas var izsautīt viegli degošu putekļu vai tvaiku aizdegšanos.
- c) **Lietojot elektroinstrumentu, nelaujiet nepiederošām personām un jo īpaši bērniem tuvoties darba vietai.** Citu personu klātbūtne var novērst uzmanību, un tā rezultātā jūs varat zaudēt kontroli pār instrumentu.

#### 2) ELEKTRODROŠĪBA

- a) **Elektroinstrumenta kontaktdakšai jābūt piemērotai elektrotīkla kontaktligzdai. Kontaktdakšas konstrukciju nedrīkst nekādā veidā mainīt. Nelietojiet kontaktdakšas salāgotājus, ja elektroinstruments caur kabeļi tiek savienots ar aizsargzēmējuma ķēdi. Neizmainītas konstrukcijas**

kontaktdakša, kas piemērota kontaktligzdai, ļauj samazināt elektriskā triecienu saņemšanas risku.

- b) **Darba laikā nepieskarieties saņemtiem priekšmetiem, piemēram, caurulēm, radiatoriem, plītiņiem vai ledusskapjiem.** Pieskaroties saņemtiem virsmām, pieaug risks saņemt elektrisko triecienu.
- c) **Nelietojiet elektroinstrumentu lietus laikā, neturiet to mitrumā.** Mitrumam iekļūstot instrumentā, pieaug risks saņemt elektrisko triecienu.
- d) **Nenesiet un nepiekariet elektroinstrumentu aiz elektrokabeļa. Neraujiet aiz kabeļa, ja vēlaties atvienot instrumentu no elektrotīkla kontaktligzdas. Sargājiet elektrokabeļi no karstuma, eļļas, asām šķautnēm un instrumenta kustīgajām daļām.** Bojāts vai samezģojies elektrokabeļis var būt par cēloni elektriskajam triecienam.
- e) **Darbinot elektroinstrumentu ārpus telpām, izmantojiet tā pievienošanai vienīgi tādus pagarinātājkaabeļus, kuru lietošana ārpus telpām ir atļauta.** Lietojot elektrokabeļi, kas piemēroti darbam ārpus telpām, samazinās risks saņemt elektrisko triecienu.
- f) **Ja elektroinstrumentu tomēr nepieciešams lietot vietās ar paaugstinātu mitrumu, izmantojiet tā pievienošanai noplūdes strāvas aizsargreleju.** Lietojot noplūdes strāvas aizsargreleju, samazinās risks saņemt elektrisko triecienu.

#### 3) PERSONISKĀ DROŠĪBA

- a) **Darba laikā saglabājiet paškontroli un rīkojieties saskaņā ar veselo saprātu. Pārtrauciet darbu, ja jūtaties noguris vai atrodaties alkohola, narkotiku vai medikamentu izraisītā reibumā.** Strādājot ar elektroinstrumentu, pat viens neuzmanības mirklis var būt par cēloni nopietnam savainojumam.
- b) **Izmantojiet individuālos darba aizsardzības līdzekļus un darba laikā vienmēr nēsājiet aizsargbrilles.** Individuālo darba aizsardzības līdzekļu (putekļu maskas, neslidošu apavu un aizsargķiveres vai ausu aizsargu) pielietošana atbilstoši elektroinstrumenta tipam un veicamā darba raksturam ļauj izvairīties no savainojumiem.
- c) **Nepieļaujiet elektroinstrumenta patvaļīgu ieslēgšanos. Pirms elektroinstrumenta pievienošanas elektrotīklam, akumulatora ievietošanas vai izņemšanas, kā arī pirms elektroinstrumenta pārņemšanas pārliecinieties, ka tas ir izslēgts.** Pārnesot elektroinstrumentu, ja pirksts atrodas uz ieslēdzēja, kā arī pievienojot to elektrobarošanas avotam laikā, kad elektroinstruments ir ieslēgts, var viegli notikt nelaimes gadījums.
- d) **Pirms instrumenta ieslēgšanas neaizmirstiet izņemt no tā regulējošos instrumentus vai skrūvjatslēgas.** Patronatslēga vai skrūvjatslēga, kas instrumenta ieslēgšanas brīdī nav izņemta no tā, var radīt savainojumu.
- e) **Strādājot ar elektroinstrumentu, ieturiet stingru stāju. Darba laikā vienmēr saglabājiet līdzsvaru un centieties nepaslidēt.** Tas atvieglos instrumenta vadību neparedzētās situācijās.
- f) **Izvēlieties darbam piemērotu apģērbu. Darba laikā nenēsājiet brīvi plandošas drēbes un rotaslietas. Netuviniet garus matus un drēbes**



- elektroinstrumenta kustīgajām daļām. Vaļīgas drēbes, rotaslietas un gari mati var iekerties instrumenta kustīgajās daļās.
- g) **Ja elektroinstrumenta konstrukcija ļauj tam pievienot ārējo putekļu uzsūkšanas vai savākšanas/uzkrāšanas ierīci, sekojiet, lai tā tiktu pievienota elektroinstrumentam un pareizi darbotos.** Pielietojot putekļu uzsūkšanu vai savākšanu/uzkrāšanu, samazinās to kaitīgā ietekme uz strādājošās personas veselību.
- h) **Nepaļaujieties uz iemaņām, kas tiek iegūtas, bieži lietojot instrumentus, neieslīgstiet pašapmierinātībā un neignorējiet instrumenta drošas lietošanas principus.** Neuzmanīgas rīcības dēļ dažās sekundes daļās var gūt nopietnu savainojumu.
- 4) ELEKTROINSTRUMENTU LIETOŠANA UN APKOPE**
- a) **Nepārslogojiet elektroinstrumentu.** Katram darbam izvēlieties piemērotu instrumentu. Elektroinstrumentus darbosies labāk un drošāk pie nominālās slodzes.
- b) **Nelietojiet elektroinstrumentu, ja ir bojāts tā ieslēdzējs.** Elektroinstrumenti, ko nevar ieslēgt un izslēgt, ir bīstami lietošanai un to nepieciešams remontēt.
- c) **Pirms elektroinstrumenta apkopes, regulēšanas vai darbinstrumenta nomaigņas atvienojiet tā kontaktdakšu no barojošā elektrotīkla vai izņemiet no tā akumulatoru, ja tas ir izņemams.** Šādi iespējams samazināt elektroinstrumenta nejaušas ieslēgšanās risku.
- d) **Elektroinstrumentu, kas netiek darbināts, uzglabājiet piemērotā vietā, kur tas nav sasniedzams bērniem un personām, kuras neprot rīkoties ar instrumentu.** Ja elektroinstrumentu lieto nekompetentas personas, tas var apdraudēt cilvēku veselību.
- e) **Savlaicīgi apkalpojiet elektroinstrumentus un to piederumus.** Pārbaudiet, vai kustīgās daļās darbojas bez traucējumiem un nav iespīlētas, vai kāda no daļām nav salauzta vai bojāta, vai katra no tām pareizi funkcionē un pilda tai paredzēto uzdevumu. **Nodrošiniet, lai bojātās daļas tiktu savlaicīgi nomainītas vai remontētas pilnvarotā remontu darbnīcā.** Daudzi nelaimes gadījumi notiek tāpēc, ka elektroinstrumentus pirms lietošanas nav pienācīgi apkalpoti.
- f) **Savlaicīgi notīriet un uzasiniet griezošos darbinstrumentus.** Rūpīgi kopti instrumenti, kas apgādāti ar asiem griezejinstrumentiem, ļauj strādāt daudz ražīgāk un ir vieglāk vadāmi.
- g) **Lietojiet vienīgi tādus elektroinstrumentus, papildiederumus, darbinstrumentus utt., kas paredzēti attiecīgajam pielietojuma veidam. Bez tam jāņem vērā arī konkrētie darba apstākļi un pielietojuma īpatnības.** Elektroinstrumentu lietošana citiem mērķiem, nekā to ir paredzējusi ražotājfirma, ir bīstama un var novest pie neparedzamām sekām.
- h) **Uzturiet elektroinstrumenta rokturus un noturvirsmas sausas un tīras, sargājiet tās no eļļas un smērvielām.** Slideni rokturi un noturvirsmas traucē efektīvi rīkoties ar elektroinstrumentu un to droši vadīt neparedzētās situācijās.

## 5) APKALPOŠANA

- a) **Nodrošiniet, lai Instrumenta remontu veiktu kvalificēts personāls, nomaigai izmantojot oriģinālās rezerves daļas un piederumus.** Tikai tā iespējams panākt instrumenta ilgstošu un nevainojamu darbību bez atteikumiem.

## DARBA DROŠĪBAS NOTEIKUMI PERFORATORIEM

### VISPĀRĒJA INFORMĀCIJA

- Vienmēr pārliecinieties, ka spriegums, kas uzrādīts uz instrumenta marķējuma plāksnītes, atbilst padeves spriegumam elektrotīklā (230V vai 240V spriegumam paredzētie instrumenti var darboties arī no 220V elektrotīkla)
- Šo instrumentu nedrīkst izmantot personas, kas jaunākas par 16 gadiem
- **Neapstrādājiet materiālus, kas satur azbestu** (azbestam piemīt kancerogēnas īpašības)
- Neizmantojiet instrumentu, ja tam ir bojāts elektrokabelis; tā nomaigai drīkst veikt tikai pieredzējis speciālists
- **Pirms instrumenta regulēšanas vai piederumu nomaigņas atvienojiet to no barojošā elektrotīkla**

### PAPILDPIEDERUMI

- Firma SKIL garantē instrumenta nevainojamu darbību tikai tad, ja tiek lietoti oriģinālie papildiederumi
- Lietojiet tikai tādus darbinstrumentus, kuru pieļaujamais darbības ātrums ir vismaz tikpat liels, kā instrumenta maksimālais brīvgaits ātrums

### PIRMS DARBA UZSĀKŠANAS

- Lietojiet pilnīgi atītus un drošus pagarinātājkabeļus, kas paredzēti 16 A strāvai
- Izvairieties no instrumenta bojājumiem, ko var radīt apstrādājamajā priekšmetā esošās skrūves, naglas vai citi līdzīgi objekti; pirms darba uzsākšanas atbrīvojiet apstrādājamo materiālu no šādiem priekšmetiem
- **Nostipriniet apstrādājamo detaļu** (to ir drošāk nostiprināt ar spailēm vai skrūvspīļiem, nevis turēt rokā)
- **Ar piemērota metālmeklētāja palīdzību pārbaudiet, vai apstrādes vietu nešķērso slēptas elektropārvades līnijas, kā arī gāzes vai ūdens caurules; šaubu gadījumā griezties vietējā komunālās saimniecības iestādē** (darbinstrumentam skart elektrotīkla fāzes līniju, var izcelties ugunsgrēks un strādājošais var saņemt elektrisko triecienu; gāzes vada bojājums var izraisīt sprādzienu; darbinstrumentam skart ūdensvada cauruli, var tikt bojātas materiālās vērtības un strādājošais var saņemt elektrisko triecienu)
- Materiāla (piemēram, svinu saturošas krāsas, dažu koka šķirņu, minerālu un metāla) putekļi var būt kaitīgi (saskare ar putekļiem vai to ieelpošana var izraisīt alerģiskas reakcijas un/vai elpošanas ceļu saslimšanas operatoram vai klātesošajiem); **izmantojiet putekļu masku un putekļsūcēju, ja to iespējams pievienot**
- Dažu veidu putekļi ir klasificēti kā kancerogēni (piemēram, ozola vai dižskābarža putekļi), jo īpaši apvienojumā ar koksnes kondicionēšanas piedevām; **izmantojiet putekļu masku un putekļsūcēju, ja to iespējams pievienot**
- Ievērojiet ar putekļu savākšanu saistītos nacionālos noteikumus, kas attiecas uz apstrādājamajiem materiāliem

## DARBA LAIKĀ

- **Nēsājiet ausu aizsargus** (trokšņa iedarbība var radīt paliekošus dzirdes traucējumus)
- **Lietojiet kopā ar instrumentu piegādāto(s) papildrokturi(us)** (kontrolēs zaudēšana pār instrumentu var būt par cēloni savainojumiem)
- **Veicot darbu, kura laikā darbinstruments var skart slēptus elektriskos vadus vai paša instrumenta elektrokabeļi, turiet instrumentu tikai aiz izolētajām virsmām** (darbinstrumentam skarot spriegumnesošus vadus, spriegums nonāk arī uz instrumenta metāla daļām un var būt par cēloni elektriskajam triecienam)
- Darba laikā sekojiet, lai elektrokabeļis atrastos drošā attālumā no instrumenta kustīgajām daļām
- Elektriska vai mehāniska rakstura kļūmes gadījumā nekavējoties izslēdziet instrumentu un atvienojiet kabeļa kontaktdakšu no elektrotīkla
- Ja darba laikā tiek pārgriezts vai citādi mehāniski bojāts instrumenta elektrokabeļis, nepieskarieties tam, bet nekavējoties atvienojiet elektrokabeļa kontaktdakšu no barojošā elektrotīkla
- Ja darba laikā urbis pēkšņi iestrēgst urbumā, tas var radīt ievērojamu reakktīvo momentu, kas savukārt var būt par cēloni negadījumam; šādā gadījumā nekavējoties izslēdziet instrumentu
- Nemiet vērā reakktīvo spēku, kas rodas, iestrēgstot darbinstrumentam (īpaši, veicot urbsanu metālā), **vienmēr izmantojiet papildrokturi J** <sup>5</sup> un nodrošiniet stabilu pamatu zem kājām

## PĒC DARBA PABEIGŠANAS

- Pirms instrumenta novietošanas izslēdziet tā elektrodzinēju un nogaidiet, līdz ir pilnīgi apstājušās visas instrumenta kustīgās daļas

## UZ INSTRUMENTA ATTĒLOTO SIMBOLU

### SKAIDROJUMS

- ② Pirms izstrādājuma lietošanas izlasiet tā lietošanas pamācību
- ③ Divkārsa izolācija (nav jālieto zemējuma vads)
- ④ Neizmietiet nolietoto instrumentu sadzīves atkritumu tvertnē

## DARBS

- Ieslēgšana/izslēgšana <sup>6</sup>
- Instrumenta ieslēgšana ilgstošai darbībai, fiksējot tā ieslēdzēju <sup>7</sup>
- Darbvārpstas griešanās ātruma bezpakāpju regulēšana <sup>8</sup>
- Maksimālā darbvārpstas griešanās ātruma priekšiestādīšana <sup>9</sup>  
Ar ritenīša B <sup>5</sup> palīdzību iespējams nodrošināt vienmērīgu maksimālā darbības ātruma regulēšanu no minimālās vērtības līdz maksimālāi
- Griešanās virziena pārslēgšana <sup>10</sup>
  - ja darbvārpstas griešanās virziena pārslēdzējs nav precīzi iestādīts galējā labējā/kreisajā stāvoklī, ieslēdzēju A nav iespējams nospiegt
- **! pārslēdziet darbvārpstas griešanās virzienu tikai tad, kad instruments ir pilnībā apstājies**
- Darba režīma izvēle <sup>11</sup>
  - piespiet pogu F, lai atbloķētu slēdzi E
  - pagrieziet slēdzi E uz vēlamo darba režīmu, līdz tas nofiksējas

! **sākt strādāt tikai tad, kad slēdzis E ir nobloķēts**

1 = parastā urbsana/skrūvēšana

2 = triecienurbsana

3 = kalšana ar rotējošu kaltu

4 = kalšana ar fiksētu kaltu

! **darbības režīma pārslēgšanas brīdī instrumentam obligāti jābūt izslēgtam un elektrokabeļa kontaktdakša ir atvienota no elektrotīkla**

- vesera mehānisms tiek aktivēts, izdarot vieglu spiedienu uz instrumentu, kad tā urbja gals pieskaras apstrādājamajam priekšmetam
- augstu veserurbšanas kvalitāti var panākt, izdarot tikai vieglu spiedienu uz instrumentu; izdarot lielāku spiedienu uz instrumentu, urbsanas kvalitāte neuzlabojas

- Kalšana ar rotējošu kaltu <sup>12</sup>

! **izslēdziet instrumentu un atvienojiet to no strāvas kontakttīgdzas**

- izvēlieties rotējoša kalta režīmu

- Kalšana ar fiksētu kaltu <sup>13</sup>

! **izslēdziet instrumentu un atvienojiet to no strāvas kontakttīgdzas**

- izvēlieties rotējoša kalta režīmu
- novietojiet kaltu vajadzīgajā pozīcijā
- izvēlieties fiksēta kalta režīmu

- Darbinstrumentu nomaiņa <sup>14</sup>

! **pirms SDS+ darbinstrumenta iestiprināšanas notīriet un ieeļļojiet to**

- pavelciet fiksējošo uznavu G virzienā uz instrumenta aizmuguri un ievietojiet darbinstrumenta kātu, to nedaudz pagrozot, SDS+ sistēmas urbpatronā, līdz tas automātiski nofiksējas

- pārbaudiet darbinstrumenta fiksāciju, nedaudz to pavelkot ārā no urbpatronas

- lai izņemtu darbinstrumentu no urbpatronas, pavelciet fiksējošo uznavu G virzienā uz instrumenta aizmuguri

! **SDS+ sistēmas darbinstrumentiem piemīt īpatnība, ka, instrumentam darbojoties tukšgaitā, urbpatronā iestiprinātais darbinstruments rotē ar zināmu radiālu ekscentritāti; taču tas neietekmē urbumu precizitāti, jo urbsanas laikā darbinstruments automātiski centrējas**

! **neizmantojiet darbinstrumentus/kaltus ar bojātu kātu**

Lai veiktu urbsanu kokā, metālā un plastmasā, kā arī skrūvju ieskrūvēšanu, izmantojiet adapteru H <sup>15</sup>

- pirms pievienošanas adapteru notīriet un nedaudz ieeļļojiet

- pavelciet fiksējošo uznavu G virzienā uz instrumenta aizmuguri un iestipriniet savienotos adapteru, tos nedaudz pagrozot, SDS+ sistēmas urbpatronā, līdz adapters automātiski nofiksējas

- pārbaudiet adaptera fiksāciju, nedaudz to pavelkot ārā no urbpatronas

- ar pārslēdzēju E <sup>5</sup> palīdzību iestādiat urbsanas režīmu (**darba režīma pārslēgšanas brīdī instrumentam obligāti jābūt izslēgtam un elektrokabeļa kontaktdakša ir atvienota no elektrotīkla**)

- Pārslodzes sajūgs

- Ja darba gaitā darbinstruments iestrēgst urbumā, perforatora darbvārpstas piedziņa automātiski tiek pārtraukta (izsaucot grabēšanai līdzīgu troksni)
- nekavējoties izslēdziet instrumentu

- atbrīvojiet iestrēgušo darbinstrumentu
- atkal ieslēdziet instrumentu
- Urbšanas dziļuma iestādīšana 16
- Instrumenta turēšana un vadīšana 17
- ! **darba laikā vienmēr turiet instrumentu aiz pelēkās krāsas noturvirsmas(ām)**
- vienmēr izmantojiet papildrokturi J (tā stāvoklis ir regulējams, kā parādīts attēlā)
- nenosprostojiet instrumenta ventilācijas atveres
- darba laikā pārlietu nespiediet instrumentu; ļaujiet tam darboties nominālā režīmā

## PRAKTISKI PADOMI

- Lietojiet tikai tādus darbinstrumentus, kuru tips atbilst apstrādājamajam materiālam 18
- ! **lietojiet tikai asus darbinstrumentus/kaltus**
- Melno metālu urbšana
  - ja nepieciešams izveidot liela diametra urbumu, vispirms ieurbiet mazāka izmēra atvērumu
  - laiku pa laikam ieeļļojiet urbi
- Veicot skrūves ieskrūvēšanu tuvu koka priekšmeta vai konstrukcijas malai, vispirms ieteicams ieurbt atvērumu, lai novērstu koksnes plaisāšanu
- Urbumu veidošana koksnē bez apstrādājamā materiāla plaisāšanas 19
- Urbumu veidošana sienās, vienlaicīgi savācot urbšanas rezultātā radušos grūzus 20
- Urbumu veidošana griestos, vienlaicīgi savācot urbšanas rezultātā radušos grūzus 21
- Urbumu veidošana flīzēs, nepieļaujot to plaisāšanu 22
- Papildu ieteikumi ir sniegti datortīkla vietnē [www.skil.com](http://www.skil.com)

## APKALPOŠANA / APKOPE

- Šis darbarīks nav paredzēts profesionālai lietošanai
- Uzturiet tīru instrumentu un elektrokabeli (īpaši ventilācijas atveres K 5)
- ! **pirms instrumenta tīrīšanas atvienojiet to no elektrotīkla**
- Ja, neraugoties uz augsto izgatavošanas kvalitāti un rūpīgo pērcražošanas pārbaudi, instruments tomēr sabojājas, tas jānogādā remontam firmas SKIL pilnvarotā elektroinstrumentu remonta darbnīcā
  - nogādājiet instrumentu **neizjauktā veidā** kopā ar iegādes dokumentiem tuvākajā tirdzniecības vietā vai firmas SKIL pilnvarotā piegādē apkalpošanas un remonta iestādē (adreses un instrumenta apkalpošanas shēma ir sniegta interneta vietnē [www.skil.com](http://www.skil.com))

## APKĀRTĒJĀS VIDES AIZSARDZĪBA

- **Neizmetiet elektroiekārtas, piederumus un iesaiņojuma materiālus sadzīves atkritumos** (tikai ES valstīm)
  - saskaņā ar Eiropas Savienības direktīvu 2012/19/ES par nolietotajām elektriskajām un elektroniskajām iekārtām un tās atspoguļojumiem nacionālajā likumdošanā, nolietotās elektroiekārtas ir jāsavāc, jāizjauc un jānogādā atreizējai pārstrādei apkārtējai videi nekaitīgā veidā
  - Īpašs simbols 4 atgādina par nepieciešamību izstrādājumus utilizēt videi nekaitīgā veidā

## TROKSNIS / VIBRĀCIJA

- Saskaņā ar standartu EN 60745 noteiktais instrumenta radītā trokšņa skaņas spiediena līmenis ir 91,0 dB(A) un skaņas jaudas līmenis ir 102,0 dB(A) (pie tipiskās izkliedes 3 dB), un vibrācijas paātrinājums ir \* m/s<sup>2</sup> (vektoru summa trijos virzienos; izklide K = 1,5 m/s<sup>2</sup>)
  - \* veicot veserurbšanu betonā 12,3 m/s<sup>2</sup>
  - \* veicot izciršanu 10,9 m/s<sup>2</sup>
- Vibrācijas līmenis ir noteikts, izmantojot standartā EN 60745 paredzēto procedūru; to var izmantot, lai salīdzinātu instrumentus un provizoriski izvērtētu vibrācijas iedarbību, lietojot instrumentu minētajiem mērķiem
  - instrumenta izmantošana citiem mērķiem vai ar citiem vai nepietiekami koptiem piederumiem var ievērojami **palielināt** kopējo vibrācijas iedarbības pakāpi
  - laika periodi, kad instruments ir izslēgts vai arī ir ieslēgts, taču darbs ar to nenotiek, var ievērojami **samazināt** kopējo vibrācijas iedarbības pakāpi
- ! **pasargājiet sevi no vibrācijas iedarbības, veicot instrumenta un tā piederumu tehnisko apkopi, novēršot roku atdzišanu un pareizi organizējot darbu**

LT

## Perforatorius

1763

## ĪVADAS

- Šis prietaiss skirtas smūginiam grēžimui perforatoriaus režīmu j betonā, plytas, ir akmeni, o taip pat-lengviems kirtimo darbam; grēžiant medienā, metalā, keramikā bei plastmasē ar sukant varžtus, reikia naudoti specialią papildomą įrangą
- Šio prietaiso smūginio gręžimo sistema veikianti perforatoriaus režīmu, gręžiant betoną, yra daug pranašesnė, nei bet kurio smūginio gręžtuvo
- Šis įrankis neskirtas profesionaliam naudojimui
- Su šiuo prietaisu galima naudoti visą standartinę SDS+ sistemos papildomą įrangą
- Perskaitykite ir išsaugokite šią naudojimo instrukciją 2

## TECHNINIAI DUOMENYS 1

\* Smūgio energija pagal EPTA-Procedure 05/2009

## PRIETAISO ELEMENTAI 5

- A Jungiklis įjungimui/išjungimui ir greičiui valdyti
- B Ratukas maksimalių sukčių reguliavimui
- C Jungiklio fiksatorius
- D Sukimosi krypties svirtelė
- E Darbo režimų perjungiklis
- F Išjungimo mygtukas
- G Užraktinis žiedas
- H Adapteris + 13 mm patronas
- J Pagalbinė rankena
- K Ventilacinės angos
- L Gylio ribotuvas

# SAUGA

## BENDRIEJI ELEKTRINIŲ ĮRANKIŲ SAUGOS ĮSPĖJIMAI

**⚠️ ĮSPĖJIMAS** Perskaitykite visus su šiuo elektriniu įrankiu pateiktus saugos įspėjimus, instrukcijas, peržiūrėkite iliustracijas ir specifikacijas. Jei nepaisysite visų žemiau pateiktų instrukcijų, galite patirti elektros smūgį, sukelti gaisrą ir sunkiai susižaloti arba sužaloti kitus asmenis.

**Išsaugokite visus perspėjimus ir instrukcijas, kad vėliau galėtumėte pasinaudoti.**

Toliau pateiktame tekste vartojama sąvoka “elektrinis įrankis” apibūdina įrankius, maitinamus iš elektros tinklo (su maitinimo laidu), ir akumuliatorinius įrankius (be maitinimo laido).

### 1) DARBO VIETOS SAUGUMAS

- Darbo vieta turi būti švari ir tvarkinga.** Tinkama ar blogai apšviesta darbo vieta gali tapti nelaimingų atsitikimų priežastimi.
- Nedirbkite tokioje aplinkoje, kur yra degių skysčių, dujų ar dulkių.** Elektriniai įrankiai gali kibirkščiuoti, o nuo kibirkščių dulkės arba susikaupę garai gali užsidegti.
- Dirbdami su elektriniu įrankiu neieškite šalia būti žiūrovams, vaikams ir lankytojams.** Nukreipę dėmesį į kitus asmenis galite nebesuvaldyti prietaiso.

### 2) ELEKTROSAUGA

- Maitinimo laido kištukas turi atitikti tinklo rozetės tipą.** Kištuko jokiū būdu negalima modifikuoti. Nenaudokite jokių kištuko adapterių su žemintais prietaisais. Originalūs kištukai, tiksliai tinkantys elektros tinklo rozetei, sumažina elektros smūgio pavojų.
- Venkite kūno kontakto su žemintais paviršiais, tokiais kaip vamzdžiai, šildytuvai, viryklės ar šaldytuvai.** Egzistuoja padidinta elektros smūgio rizika, jei Jūsų kūnas bus įžemintas.
- Saugokite prietaisą nuo lietaus ir drėgmės.** Jei vanduo patenka į elektrinį prietaisą, padidėja elektros smūgio rizika.
- Nenaudokite maitinimo laido ne pagal paskirtį, t. y. neneškite prietaiso paėmę už laido, nekabinkite prietaiso už laido, netraukite už jo, norėdami išjungti kištuką iš rozetės. Laidą klokite taip, kad jo neveiktų karštis, jis neišsitemptų alyva ir jo nepažeistų aštrios detalės ar judančios prietaiso dalys.** Pažeisti arba susipynę laidai gali tapti elektros smūgio priežastimi.
- Jei su elektriniu įrankiu dirbate lauke, naudokite tik tokius ilginimo kabelius, kurie tinka lauko darbams.** Naudojant lauko darbams pritaikytus ilginimo kabelius, sumažinamas elektros smūgio pavojus.
- Jei su elektriniu įrankiu neišvengiamai reikia dirbti drėgnoje aplinkoje, naudokite žeminio grandinės pertraukiklį.** Naudojant žeminio grandinės pertraukiklį, sumažėja elektros smūgio pavojus.

### 3) ŽMONIŲ SAUGA

- Būkite atidūs, sutelkite dėmesį į tai, ką Jūs darote ir, dirbdami su elektriniu įrankiu, vadovaukitės sveiku protu.** Nedirbkite su prietaisu, jei esate pavargę arba vartojote narkotikus, alkoholį ar

**medikamentus.** Akimirksnio neatidumas naudojant prietaisą gali tapti rimtų sužalojimų priežastimi.

- Naudokite asmenines apsaugos priemones ir visuomet užsidėkite apsauginius akinius.** Naudojant asmenines apsaugos priemones, pvz., respiratorių ar apsauginę kaukę, nelystančius batus, apsauginį šalną, klausos apsaugos priemones ir kt., rekomenduojamas dirbant su tam tikros rūšies įrankiais, sumažėja rizika susižeisti.
  - Saugokitės, kad neįjungtumėte prietaiso atsitiktinai.** Prieš prijungdami elektrinį įrankį prie elektros tinklo ir/arba akumuliatoriaus, prieš pakeldami ar nešdami įsitikinkite, kad jis yra išjungtas. Jeigu nešdami elektrinį įrankį pirštą laikysite ant jungiklio arba prietaisą įjungsite į elektros tinklą, kai jungiklis yra įjungtas, gali įvykti nelaimingas atsitikimas.
  - Prieš įjungdami prietaisą pašalinkite reguliavimo įrankius arba veržlių raktus.** Prietaiso besisukančioje dalyje esantis įrankis ar raktas gali tapti sužalojimų priežastimi.
  - Nepervertinkite savo galimybių. Dirbdami atsistokite patikimai ir visada išlaikykite pusiausvyrą.** Patikima stovėseną ir tinkamą kūno laikyseną leis geriau kontroliuoti prietaisą netikėtose situacijose.
  - Dėvėkite tinkamą aprangą. Nedėvėkite plaučių drabužių ir papuošalų. Saugokite plaukus ir drabužius nuo besisukančių elektrinio įrankio dalių.** Laisvus drabužius, papuošalus bei ilgus plaukus gali įtraukti besisukančios dalys.
  - Jei yra numatyta galimybė prijungti dulkių nusiurbimo ar surinkimo įrenginius, visada įsitikinkite, ar jie yra prijungti ir ar teisingai naudojami.** Naudojant dulkių nusiurbimo įrenginius sumažėja kenksmingas dulkių poveikis.
  - Dažnai naudodami įrankį ir gerai su juo susipažinę pernelly neatsiplaiduokite ir nepradėkite nepaisyti įrankio saugos principų.** Neatidus veiksmas gali sukelti sunkią traumą per sekundes dalį.
- ### 4) RŪPESTINGA ELEKTRINIŲ ĮRANKIŲ PRIEŽIŪRA IR NAUDOJIMAS
- Neperkraukite prietaiso. Naudokite Jūsų darbu tinkamą elektrinį įrankį.** Su tinkamu elektriniu įrankiu Jūs dirbsite geriau ir saugiau, jei neviršysite nurodyto galingumo.
  - Nenaudokite elektrinio įrankio su sugedusiu jungikliu.** Elektrinis įrankis, kurio nebegalima įjungti ar išjungti, yra pavojingas ir jį reikia remontuoti.
  - Prieš reguliuodami prietaisą, keisdami darbo įrankius ar prieš valydami prietaisą, iš elektros tinklo lizdo ištraukite kištuką ir/arba išimkite akumuliatorių, jeigu jis išimamas.** Ši saugumo priemonė apsaugos jus nuo netikėto prietaiso įsijungimo.
  - Nenaudojamą prietaisą sandėliuokite vaikams ir nemokantiems juo naudotis asmenims neprieinamoje vietoje.** Elektriniai įrankiai yra pavojingi, kai juos naudoja nepatyrę asmenys.
  - Pržiūrėkite elektrinį įrankį ir priedus. Tikrinkite, ar besisukančios prietaiso dalys tinkamai veikia ir niekur nekliūva, ar nėra sulūžusių ar šiaip pažeistų dalių, kurios įtakotų prietaiso veikimą.** Prieš vėl naudojant prietaisą pažeistos prietaiso dalys turi būti

suremontuotos. Daugelio nelaimingų atsitikimų priežastis yra blogai prižiūrimi elektriniai įrankiai.

- f) **Pjovimo įrankiai turi būti aštrūs ir švarūs.** Rūpestingai prižiūrėti pjovimo įrankiai su aštriomis pjaunamosiomis briaunomis mažiau stringa ir juos yra lengviau valdyti.
- g) **Elektrinį įrankį, papildomą įrangą, darbo įrankius ir t. t. naudokite taip, kaip nurodyta šioje instrukcijoje. Taip pat atsižvelkite į darbo sąlygas bei atliekamo darbo pobūdį.** Naudojant elektrinius įrankius ne pagal jų paskirtį galima sukelti pavojingas situacijas.
- h) **Rankenos ir suėmimo paviršiai turi būti sausi, švarūs, ant jų neturi būti alyvos ir tepalų.** Dėl slidžių rankenų ir suėmimo paviršių negalėsite saugiai išlaikyti ir suvaldyti įrankio netikėtose situacijose.
- 5) APTARNAVIMAS**
- a) **Prietaisą turi remontuoti tik kvalifikuotas specialistas ir naudoti tik originalias atsargines dalis.** Taip galima garantuoti, jog prietaisas išliks saugus.

## DARBŲ SAUGOS NUORODOS DIRBANTIEMS SU PERFORATORIAIS

### BENDROJI DALIS

- Visada patikrinkite, ar elektros tinklo įtampa sutampa su įtamos dydžiu, nurodytu prietaiso vardinėje lentelėje (prietaisus su nurodyta įtampa 230V ir 240V galima jungti į 220V įtamos elektros tinklą)
- Šį prietaisą turėtų naudoti tik asmenys, kuriems 16 ir daugiau metų
- **Draudžiama apdirbti medžiagas, kurių sudėtyje yra asbesto** (asbestas pasižymi vėžį sukeliančiu poveikiu)
- Prietaisą su pažeistu kabeliu naudoti draudžiama; jį turi pakeisti kvalifikuotas elektrikas
- **Prieš reguliuojant prietaisą arba keičiant darbo įrankius, ištraukite kištuką iš el. tinklo lizdo**

### PAPILDOMA ĮRANGA

- SKIL gali garantuoti neprikaištingą prietaiso veikimą tik tuo atveju, jei naudojama originali papildoma įranga ir priedai
- Leidžiama naudoti tik tokius įrankius, kurių maksimalus leistinas apsisukimų skaičius yra ne mažesnis, nei maksimalus Jūsų prietaiso sūkių skaičius

### PRIEŠ EKSPLOATACIJĄ

- Naudodami ilginamuosius kabelius atkreipkite dėmesį į tai, kad kabelis būtų iki galo išvyniotas ir būtų pritaikytas 16 A elektros srovei
- Saugokite, kad nepažeistumėte prietaiso į ruošinyje esančius varžtus, vinis ir pan; prieš pradėdami darbą juos pašalinkite
- **Saugiai laikykite tvirtinamą dirbinį** (dirbinį, kuris segamas ar kalamas kabių kalimo įrankiais, saugiau laikyti spaustuviu nei ranka)
- **Naudodami tam skirtus paieškos prietaisus, patikrinkite, ar gręžimo vietoje nėra paslėptų komunalinių tinklų vamzdynų, arba pasivieskite į pagalbą vietinius komunalinių paslaugų tiekėjus** (kontaktas su elektros laidais gali sukelti gaisro bei elektros smūgio pavojų; pažeidus dujotiekio vamzdį, gali įvykti sprogdymas; pažeidus vandentiekio vamzdį, galima pridaryti daugybę nuostolių bei sukelti elektros smūgio pavojų)

- Kai kurių medžiagų, kaip antai dažų, kurių sudėtyje yra švino, kai kurių medžių rūšių medienos, mineralų ir metalo dulkės gali būti kenksmingos (kontaktas su šiomis dulkėmis arba įkvėptos dulksės gali sukelti operatoriui arba šalia esantiems žmonėms alergines reakcijas ir/arba kvėpavimo sistemos susirgimus); **mūvėkite priešdulkinę puskaukę arba dirbdami naudokite dulkių ištraukimo įrenginį, jei jį galima prijungti**
- Kai kurių rūšių dulksės priskiriamos kancerogeninėms (pvz., ažuolo arba buko medienos dulksės), ypač susimaišiusios su medienos taurinimui naudojamais priedais; **mūvėkite priešdulkinę puskaukę arba dirbdami naudokite dulkių ištraukimo įrenginį, jei jį galima prijungti**
- Vadovaukitės Jūsų šalyje taikomų direktyvų reikalavimais, skirtais medžiagoms, su kuriomis norite dirbti

### EKSPLOATACIJA

- **Naudokite klausos apsaugos priemones** (dėl triukšmo poveikio galima prarasti klausą)
- **Naudokite su įrankiu pateiktas papildomas rankenas** (nesuvaldžius įrankio, galima susižeisti)
- **Jei atliekate darbus, kurių metu darbo įrankis gali kliudyti paslėptus elektros laidus arba paties elektrinio įrankio maitinimo laidą, tai elektrinį įrankį laikykite už izoliuotų rankenų** (palietus laidą, kuriuo teka elektros srovė, metalinėse elektrinio įrankio dalyse gali atsirasti įtampa ir trenkti elektros smūgis)
- Pasirūpinkite, kad maitinimo kabelis nebūtų arti besisukančių prietaiso dalių
- Atsiradus mechaninio ar elektrinio pobūdžio trukdžiams, tuojau pat išjunkite prietaisą ir ištraukite kištuką iš elektros tinklo lizdo
- Jei dirbant bus pažeistas ar nutrauktas kabelis, būtina noliečiant kabelio tuojau pat ištraukti kištuką iš elektros tinklo lizdo
- Netikėtai užstrigus grąžtui (atsiranda pavojingos reakcijos jėgos), tuojau pat išjunkite prietaisą
- Užstrigus grąžtui (ypač gręžiant metalą) dėl prietaiso sukimo momento atsiranda reakcijos jėgos, todėl dirbdami; **visuomet naudokite pagalbines rankenas J ⑤** bei patikimai stovėkite

### PO EKSPLOATACIJOS

- Prieš padėdami prietaisą jį išjunkite ir palaukite, kol visos besisukančios jo dalys visiškai sustos

### ANT PRIETAISO ESANČIŲ SIMBOLIŲ REIKŠMĖS

- ② Prieš naudodami įrankį perskaitykite instrukcijų vadovą
- ③ Dviguba izoliacija (įžeminimo laido nereikia)
- ④ Nemeskite prietaisus į buitinių atliekų konteinerius

## NAUDOJIMAS

- Įjungimas/išjungimas ⑥
- Jungiklio fiksavimas ilgalaikiam darbui ⑦
- Greičio reguliavimas, švelniai pradedant gręžimą ⑧
- Maksimalaus sūkių skaičiaus reguliavimas ⑨
- Ratuku B ⑤ galima parinkti sūkių skaičių nuo mažiausio iki didžiausio
- Sukimosi krypties perjungiklis ⑩
  - kol šis perjungiklis neužsifiksavo kairėje arba dešinėje padėtyje, negalėsite nuspausti jungiklio A
- ! **sukimosi kryptį perjungti tik prietaisui visiškai sustojus**

- Darbo režimų perjungimas ①
  - paspauskite mygtuką F, kad išjungtumėte jungiklį E
  - nustatykite perjungiklį E pageidaujamo darbo režimu, kol išgirsite spragtelėjimą
- ! **darbą pradėkite tik tuomet, kai jungiklis E bus išjungtas**
  - 1 = normalus gręžimas ir varžtų sukimas
  - 2 = smūginis gręžimas
  - 3 = kalimas besisukančiu kalnu
  - 4 = kalimas fiksuotu kalnu
- ! **režimus keisti galite tik prietaisui neveikiant kai elektros laido kištukas yra ištrauktas iš tinklo rozetės**
  - plaktukas mechanizmas įsijungia tuomet, kai, įjungę prietaisą, gražtą lengvai prispaudžiame prie ruošinio
  - geriausių gręžimo perforatoriaus režimu rezultatų pasieksime tik lengvai spausdami įrankį prie ruošinio; stipresnis prispaudimas gręžimo rezultatų nepagerins
- Kalimas besisukančiu kalnu ⑫
  - ! **išjunkite prietaisą ir ištraukite kištuką iš lizdo**
  - pasirinkite "sukamojo" kalimo režimą
- Kalimas fiksuotu kalnu ⑬
  - ! **išjunkite prietaisą ir ištraukite kištuką iš lizdo**
  - pasirinkite "sukamojo" kalimo režimą
  - kalną pridėkite į norimą padėtį
  - pasirinkite "fiksuoto" kalimo režimą
- Antgalių pakeitimas ⑭
  - ! **prieš įdėdami SDS+ įrankį, jį nuvalykite ir šiek tiek sutepkite**
  - užrakinį žiedą G patraukite atgal ir sukdamy įrankį įstatykite į SDS+ gręžimo griebtuvą ir įstumkite, kol jis užsifiksuos; įrankis užsifiksuoja savaime
  - patraukdami įrankį patikrinkite, ar jis tinkamai užsifiksavo
  - įrankį išimkite užrakinį žiedą G patraukę atgal
  - ! **SDS+ įrankis turi judėti laisvai, todėl sukdamasis laisvąja eiga jis gali šiek tiek klibėti, bet gręžimo metu įrankis savaime centruojasi; tai neturi jokios įtakos gręžiamos skylės tikslumui**
  - ! **nenaudokite antgalių/tinkamo su pažeistu kotu**
- Gręžiant pilną, medieną bei plastmasę ar sukant varžtus reikia naudoti adapterių H ⑮
  - prieš įstatydami adapterį jį nuvalykite ir šiek tiek sutepkite
  - užrakinį žiedą G patraukite atgal ir adapterį sukdamy įstatykite į SDS+ griebtuvą ir įstumkite, kol jis užsifiksuos; adapteris užsifiksuoja automatiškai
  - patraukdami adapterį patikrinkite, ar jis tinkamai užsifiksavo
  - perjungiklį E ⑤ nustatykite į normalaus gręžimo padėtį (**galima perjungti tik prietaisui neveikiant kai elektros laido kištukas yra ištrauktas iš tinklo rozetės**)
- Apsauginė sankaba
  - Jei gražtas užstringa, sukamojo judesio perdavimas sukliui yra nutraukiamas (pasigirsta terkšlės garsas)
  - tuojau pat išjunkite prietaisą
  - išimkite užstrigusį įrankį
  - vėl įjunkite prietaisą
- Gręžimo gylio nustatymas ⑯
- Prietaiso laikymas ir valdymas ⑰
  - ! **dirbdami laikykite prietaisą už pilkos spalvos suėmimo vietas(-ų)**
  - visuomet naudokite pagalbinę rankeną J (tvirtinti, kaip parodyta pav.)

- ventiliacines angas laikykite neuždengtas
- nespauskite prietaiso pernelyg stipriai; tegul prietaisas dirba už Jus

## NAUDOJIMO PATARIMAI

- Naudokite tinkamus darbo antgalius ⑱
  - ! **naudokite tik aštirus antgalius/tinkamo tipo gražtus ir kaltus**
- Gręžiant metalą
  - jei reikia gręžti didelio skersmens skylę, prieš tai išgręžkite mažą skylutę
  - retkarčiais patepkite gražtą alyva
- Prieš sukant varžtą medinio ruošinio pakraštyje, visų pirma reikia išgręžti skylutę, kad medis nesusikiltų
- Medžio gręžimas be atplaišų ⑲
- Mūro sienos gręžimas be dulkių ⑳
- Lubų gręžimas be dulkių ㉑
- Plytelių gręžimas be įskilimų ㉒
- Daugiau patarimų rasite internete [www.skil.com](http://www.skil.com)

## PRIEŽIŪRA / SERVISAS

- Šis įrankis neskirtas profesionaliam naudojimui
- Periodiškai valykite prietaisą ir kabelį (ypač ventiliacines angas K ⑤)
  - ! **prieš valydami ištraukite kištuką iš elektros tinklo lizdo**
- Jeigu prietaisas, nepaisant gamykloje atliekamo kruopštaus gamybos ir kontrolės proceso, vis dėlto sugestų, jo remontas turi būti atliekamas įgaliojose SKIL elektrinių įrankių remonto dirbtuvėse
  - **neišardytą** prietaisą kartu su pirkimo čekiu siųskite tiekėjui arba į artimiausią SKIL firmos įgaliotą elektros prietaisų techninio aptarnavimo tarnybą (adresus bei atsarginių dalių brėžinius rasite [www.skil.com](http://www.skil.com))

## APLINKOSAUGA

- **Nemeskite elektrinių įrankių, papildomos įrangos ir pakuotės į buitinių atliekų kontenerius** (galioja tik ES valstybėms)
  - pagal ES Direktyvą 2012/19/EG dėl naudotų elektrinių ir elektroninių prietaisų atliekų utilizavimo ir pagal vietinius valstybės įstatymus atitarnavę elektriniai įrankiai turi būti surenkami atskirai ir gabunami į antrinių žaliavų tvarkymo vietas, kur jie turi būti sunaikinami ar perdirdami aplinkai nekenksmingu būdu
  - apie tai primins simbolis ④, kai reikės išmesti atitarnavusį prietaisą

## TRIUKŠMINGUMAS / VIBRACIJA

- Šio prietaiso triukšmingumas buvo išmatuotas pagal EN 60745 reikalavimus; keliamo triukšmo garso slėgio lygis siekia 91,0 dB(A) ir akustinio galingumo lygis 102,0 dB(A) (standartinis nuokrypis: 3 dB), ir vibracijos \* m/s<sup>2</sup> (trijų krypčių atstojamasis vektorius; paklauda K = 1,5 m/s<sup>2</sup>)
  - \* gręžiant betoną perforatoriaus režimu 12,3 m/s<sup>2</sup>
  - \* kirtimo režimu 10,9 m/s<sup>2</sup>

- Vibrācijas skaidros lygis išmatuotas pagal standarte EN 60745 išdēstytus standartizuoto bandymo reikalavimus; ši vertē gali būti naudojama vienam įrankiui palyginti su kitu bei išankstiniam vibracijos poveikiui įvertinti, kai įrankis naudojamas paminėtais būdais
- naudojant įrankį kitokiais būdais arba su kitokiais bei netinkamai prižiūrimais priedais, gali žymiai **padidėti** poveikio lygis
- laikotarpiams, kai įrankis išjungtas arba yra įjungtas, tačiau juo nedirbama, gali žymiai **sumažėti** poveikio lygis
- ! **apsisaukite nuo vibracijos poveikio prižiūradami įrankį ir jo priedus, laikydami rankas šiltiai ir derindami darbo ciklus su pertraukėlėmis**

МК

## Ударна дупчалка

1763

### УПАТСТВО

- Овој алат е наменет за чекан дупчење во бетон, цигли и камен, како и лесно длабење; дупчење во дрво, метал и пластика, како и навртување, со помош на посебен прибор
- Системот за чекан дупчење кој го има овој алат, овозможува прескокнување на традиционалното, макотрпно дупчење во бетон
- Овој алат не е наменет за професионална употреба
- Овој алат поддржува употреба на сите стандардни SDS+ прибори
- Внимателно прочитајте го и зачувајте го ова упатство за ракување ②

### ТЕХНИЧКИ ПОДАТОЦИ ①

\* Ударна енергија по удар според процедурата EPTA 05/2009 (вредноста не е достапна)

### ЕЛЕМЕНТИ НА АЛАТОТ ⑤

- A Прекинувач за вклучување/исклучување и контрола на брзината
- B Тркалце за контрола на максималната брзина
- C Копче за блокирање на прекинувачот
- D Рачка за менување на насоката на вртење
- E Прекинувач за избор на режимот на работата
- F Копче за отклучување
- G Глава за стегање
- H Адаптер + 13 мм глава
- J Дополнителна рачка
- K Отвори за вентилација
- L Граничник за длабочина

## БЕЗБЕДНОСТ

### ОПШТИ ПРЕДУПРЕДУВАЊА ЗА БЕЗБЕДНОСТ НА ЕЛЕКТРИЧНИТЕ АЛАТИ

**⚠ ПРЕДУПРЕДУВАЊЕ** Прочитајте ги сите безбедносни предупредувања, илустрации и спецификации дадени со овој електричен алат. Грешките настанати како резултат на непридржување до сите инструкции дадени подолу може да предизвикаат електричен удар, пожар и/или тешки повреди.

**Чувајте ги сите предупредувања и упатства за понатамошно упатување.**

Поимот “електричен алат”, кој се користи во понатамошниот текст, се однесува на вашиот електричен алат (со приклучен кабел) и на електрични алати со погон на батерии (без приклучен кабел).

#### 1) БЕЗБЕДНОСТ НА РАБОТНОТО МЕСТО

- Одржувајте го вашето работно место чисто и уредно.** Неуреден или темен работен простор може да предизвикаат незгоди.
- Немојте да работите со уредот во средина во која има опасност од експлозија, во која има запаливи течности, гасови и прашина.** Електричните алати произведуваат искри кои можат да запалат прашина или параа.
- За време на употребата на електричниот алат, децата и останатите лица држете ги подалеку од местото каде работите.** Одвраќање, би можеле да изгубите контрола врз уредот.

#### 2) ЕЛЕКТРИЧНА СИГУРНОСТ

- Утикач мора да одговара на приклучочот. Никако не смее да се прават измени на штекерот. Не користете адаптерски штекер заедно со уредот кој е заштитно заземјен.** Не променети штекери и соодветни приклучоци го намалуваат ризикот од електричен удар.
- Избегнувајте допир на телото со заземјени површини, како што се цевки, радијатори, рерни и фрижидери.** Постои зголемена опасност од струен удар, доколку Вашето тело е заземјено.
- Чувајте го уредот подалеку од дожд и влага.** Продирањето на вода во електричниот уред ја зголемува опасноста од струен удар.
- Не злоупотребувајте го приклучниот кабел за носење, бeseње на уредот или за извлекување на штекерот од мрежниот приклучок. Чувајте го кабелот подалеку од топлина, масло, остри рабови или деловите на апаратот кои се движат.** Оштетени или заплеткани кабли ја зголемуваат опасноста од струен удар.
- Кога го употребувате полначот надвор, користете продолжен кабел кој е соодветен за употреба на отворен простор.** Примената на продолжен кабел соодветен за работа на отворен простор ја намалува опасноста од струен удар.
- Доколку не може да се избегне работа со електричниот алат во влажна средина, користете прекинувач за струјна заштита при**

**технички проблеми.** Употребата на прекинувачот за струјна заштита при технички проблеми го намалува ризикот од електричен удар.

### 3) БЕЗБЕДНОСТ НА ЛУЃЕ

a) **Бидете внимателни, внимавајте што правите и постапувајте внимателно додека работите со електричниот алат. Не работете со уредот доколку сте уморни или под дејство на дрога, алкохол или лекови.** Еден момент на невнимание при употребата може да доведе до сеизмички повреди.

b) **Носете ја личната заштитна опрема и секогаш носете заштитни очила.** Носењето на личната заштитна опрема, како што е маската за прашина, безбедносната облека која не се лизга, заштитен шлем или штитник за слух, зависно од видот и примената на електричниот алат, ја намалува опасноста од повреда.

c) **Избегнувајте невнимателно вклучување за време на работата. Осигурајте се прекинувачот да биде во “OFF” позиција пред да го ставите штекерот во приклучокот.** Доколку го носите електричниот алат со прстот на прекинувачот или го приклучувате апаратот кој е приклучен со напојување на струја, може да предизвикате незгоди.

d) **Пред вклучување на уредот, тргнете ги алатите за подесување или клучот за навртување.** Алатот или клучот кој се наоѓа во вртливиот дел на уредот, може да предизвика незгода.

e) **Не ги преценувајте своите способности. Завземете сигурен и стабилен став и во секој момент одржувајте рамнотежа.** На тој начин можете подобро да го контролирате уредот во неочекувани ситуации.

f) **Носете соодветна облека. Не носете широка облека или накит. Носата и алиштава треба да бидат подалеку од подвижните делови.** Широката облека, накитот или долгата коса може да се закачат за подвижните делови.

g) **Доколку може да се монтираат направи за вшмукување и фаѓање прашина, проверете дали се вклучени и дали можат исправно да се користат.** Примената на овие направи ја намалува опасноста од прашината.

h) **Не дозволувајте искуството стеннато со честа употреба на алатите да ве направи спокојни и да ги игнорирате безбедносните принципи при неговото користење.** Невнимателно движење може да предизвика сериозни повреди во дел од секунда.

### 4) ВНИМАТЕЛНА УПОТРЕБА И РАКУВАЊЕ СО ЕЛЕКТРИЧНИТЕ АЛАТИ

a) **Не го преоптеретувајте уредот. При вашата работа користете го предвидениот електричен алат за таа употреба.** Со соодветниот електричен алат ќе работите подобро и посигурно во наведената функционална област.

b) **Не користете електричен алат чиј прекинувач е неисправен.** Електричниот алат кој повеќе не може да се вклучува и исклучува е опасен и мора да се поправи.

c) **Исклучете го електричниот алат од струја и/или извадете го комплетот со батерии, ако се одделува, пред да правите неканкви прилагодувања, менувате дополнителна опрема или да го складирате електричниот алат.** Со овие мерки на внимателност ќе се избегне невнимателното вклучување на уредот.

d) **Тргнете го електричниот алат кој не го користите од допирот на децата. Не допуштајте работа со уредот на лица кои не се запознаени со него или кои го немаат прочитано ова упатство.** Електричните алати се опасни доколку со нив работат неискусни лица.

e) **Одржувајте го електричниот алат и дополнителната опрема. Имајте контрола околу тоа дали движечните делови на уредот работат беспрекорно и дали не се заглавени, дали деловите се скршени или оштетени до таа мерка што не може да се обезбеди функционирање на уредот. Пред примената, овие оштетени делови треба да се поправат.** Причина за многу незгоди е лошо одржуваниот електричен алат.

f) **Алатите за сечење одржувајте ги остри и чисти.** Внимателно одржуваните алати за сечење со остри очтрици помалку ќе се заглавуваат и со нив работата ќе биде полесна.

g) **Електричниот алат, прибор, работни алати итн., треба да ги користите според овие упатства, и на начин кој е опишан за соодветниот тип на уред. При тоа, земете ги предвид работните услови и работата која се извршува.** Употребата на електричните алати за други цели кои не се предвидени, може да предизвика опасни ситуации.

h) **Рачките и површините за држење одржувајте ги суви, чисти и неизмастени.** Рачките и површините за држење што се лизгаат не овозможуваат безбедно ракување и контрола на алатот во неочекувани ситуации.

### 5) СЕРВИСИРАЊЕ

a) **Електричниот алат сервисирајте го нај квалификувано лице кое користи само идентични резервни делови.** Со ова се обезбедува безбедно одржување на електричниот алат.

## БЕЗБЕДНОСНИ УПАТСТВА ЗА УДАРНИ ДУПЧАЛКИ

### ОПШТИ

- Секогаш проверувајте напонот да е ист со оној кој е назначен на плочката на алатот (алатите за напон од 230V или 240V исто така може да се поврзат и на напон од 220V)
- Овој алат не треба да го користат лица под 16 години
- **Не обработувајте никаков материјал кој содржи азбест** (азбестот важи за предизвикувач на рак)
- Никогаш не користете алат ако кабелот е оштетен; замената на кабелот мора да ја изврши стручно лице
- **Обезбедете се алатот да е исклучен од струја пред да вршите било какво подесување или замена на приборот**

### ПРИБОР

- SKIL може да признае гаранција само доколку е користен оригинален прибор



- Користете само прибор чија дозволена брзина е во најмала рака еднаква на најголемата брзина при празен од на електричниот алат

#### ПРЕД УПОТРЕБА

- Продолжениот кабел кој го користите, мора да биде сосема одмотан и безбеден, со капацитет од 16 А
- Избегнувајте оштетувања од штрафови, шајки и други предмети во местото каде работите; тргнете ги пред да почнете со работа
- **Зацврстете го материјалот кој го обработувате** (обработка која е зацврстена со стеги или во менгеме е побезбедна отколку да ја држите со раце)
- **Користете соодветни детектори за наоѓање на скриени инсталации или повинајте соодветна компанија за помош** (контактот со електричните линии може да доведе до струен удар; оштетувањата во гасоводна цевка може да резултира со експлозија; пенетрирање во водоводна инсталација може да доведе до оштета на предмети или електричен удар)
- Прашината од материјали како боја која содржи олово, некои видови дрво, минерали и метали, може да биде штетна за здравјето (контактот со пращината или нејзиното вдишување може да шредизвика алергии и/или болести на дишните органи за оној кој работи со алатот или луѓето во близина); **носете масна за прашина и работете со правосмуналки доколку можете да ги поврзете**
- Некои видови на прашина се канцерогени (како на пример пращината од даб или бука), особено заедно со адитиви за одржување на дрвото; **носете масна за прашина и работете со правосмуналки доколку можете да ги поврзете**
- Следете ги процедурите на вашата земја за пращината која се јавува како резултат од материјалите со кои работите

#### ВО ТЕНОТ НА УПОТРЕБАТА

- **Носете заштита за ушите** (изложеност на тие звуци и бука, може да доведе фо трајно оштетување на слухот)
- **Користете ги страничните дршки кои се испорачуваат заедно со машината** (губењето на контрола може да доведе до повреди)
- **Држете го алатот за изолираните површини за зафаќање нога извршувате работа при која што дополнителната опрема за сечење може да дојде во контакт со скриените жици или со кабелот** (ако дополнителната опрема за сечење дојдат во контакт со жица под напон може да ги електрифицираат металните делови на алатот и да предизвикаат електричен удар на операторот)
- Кабелот сенокаш држете го подалеку од деловите на алатот кои се движат
- Во случај да дојде до електричен или механички дфект, веднаш исклучете го алатот и исклучете го од приклучокот
- Ако кабелот се оштети или пресече за време на работата, веднаш исклучете го и не го допирајте
- Во случај на ненадејна блокада на бургијата, со создавање на повратни сили кај алатот, веднаш треба да го исклучите алатот

- Внимавајте на создадените сили кај алатот, за време на блокадата (особено при дупчење метал); **алатот сенокаш да се држи за страничната дршка J ⑤** и да се завземе сигурен став

#### ПО УПОТРЕБА

- Кога ќе ја завршите работата со алатот, исклучете го моторот и проверете дали сите подвижни делови се застанати

#### ОБЈАСНУВАЊЕ ЗА СИМБОЛИТЕ ЗА АЛАТОТ

- ② Пред употреба прочитајте го прирачникот за употреба
- ③ Двојна изолација (не е потребна заземна жица)
- ④ Не фрлајте го алатот заедно со другиот отпад од домаќинството

#### УПОТРЕБА

- Вклучено/Исклучено ⑥
- Блокирање на прекинувачот за постојана употреба ⑦
- Заочување на прекинувачот за лесен старт ⑧
- Контрола на максималната брзина ⑨  
Со тркалцето В ⑤ можете да ја подесите максималната брзина според нивоа, од минимум до максимум
- Промена на насоката на ротација ⑩
  - ако левата/десната позиција не легнат како што треба, прекинувачот А нема да може да стартува
- ! **менувајте ја насоката на ротацијата само кога алатот се наоѓа во целосно мирување**
- Подесување на режимот за работа ⑪
  - притиснете го копчето F за да откочите прекинувачот E
  - подесете го прекинувачот E на саканиот режим додека не кликне во положбата
- ! **почнете со работа само ако прекинувачот E е заклучен**
  - 1 = нормално дупчење/навртување
  - 2 = вибрациско дупчење
  - 3 = длабење со ротирачко длето
  - 4 = длабење со фиксирано длето
- ! **подесувањето на режимот на работа се врши само кога алатот е исклучен и приклучокот е изваден од струја**
  - механизмот со чеканот се активира со благ притисок на алатот, додека сврделот се наоѓа во допир со материјалот кој се обработува
  - најдобри резултати за чекан дупчење дупчење се постигнуваат само со лесен притисок на алатот; резултатот на дупчењето не се подобрува со посилено притискање на апаратот
- Длабење со ротирачко длето ⑫
  - ! **исклучете го алатот и извадете го од приклучокот**
    - изберете “ротирачки” режим на длетото
- Длабење со фиксирано длето ⑬
  - ! **исклучете го алатот и извадете го од приклучокот**
    - изберете “ротирачки” режим на длетото
    - поставете го длетото во саканата положба
    - изберете “фиксиран” режим на длетото

- Промена на бургиите <sup>(14)</sup>
- ! **исчистете го и намачкајте го SDS+ приборот со масло пред да го вметнете**
- повлечете ја главата за стегање G назазад и вметнете го приборот во SDS+ главата, вртете ја и туркајте го приборот додека не го затегнете; приборот сам се затегнува автоматски
- повлечете го приборот за да проверите дали е цврсто стегнат
- извадете го приборот, така што ќе а повлечете нааназад главата за стегање G
- ! **SDS+ приборот бара неограничена слобода на движењето, која предизвикува ексцентрична работа со алатот во празен од; за време на работата, таа сама се центрира; ова нема влијание врз прецизноста на дупчењето на отворот**
- ! **не употребувајте оштетени бургии/длета**
- При дупчење во дрво, метал и пластика, како и навртување, користете адаптер H <sup>(15)</sup>
- исчистете го и намачкајте го адаптерот со масло пред да го вметнете
- повлечете ја главата за стегање G нааназад и вметнете го адаптерот во SDS+ главата, вртете ја и притискајте го адаптерот додека не го стегнете; адаптерот сам се затегнува автоматски
- повлечете го адаптерот за да проверите дали е цврсто стегнат
- подесете го прекинувачот E <sup>(5)</sup> за нормално дупчење (**подесувањето се врши само кога алатот е исклучен и приклучонокот е изваден од струја**)
- Безбедносни механизам
- За време на блокадата на приборот, се прекинува и работата на вретеното (сога до создавање на буна)
- веднаш исклучете го алатот
- отстранете го блокираниот прибор
- одново вклучете го алатот
- Приспособување на длабочината на дупчењето <sup>(16)</sup>
- Држење и насочување на алатот <sup>(17)</sup>
- ! **додека работите, сеногаш држете го алатот за местото (местата) кое (кои) се означени со сива боја**
- **алатот сеногаш држете го за страничната дршка J** (може да се приспособува, како на цртежот)
- отворите за ладење држете ги отворени
- не притискајте премногу со алатот; дозволете тој сам да работи

## СОВЕТИ ЗА ПРИМЕНА

- Користете соодветни бургии <sup>(18)</sup>
- ! **употребувајте само остри бургии/длета**
- При дупчење во метал
- најпрво издупчете помала дупка, кога сакате да издупчите поголема дупка
- бургијата подмачкувајте ја со масло од време на време
- При навртување на штрафовите на краевите на дрвото, прво треба да се издупчи мала дупка за да се избегне разлитување на дрвото
- Дупчење на дрво без разлитување <sup>(19)</sup>

- Дупчење на дрво без прашина <sup>(20)</sup>
- Дупчење на таван без прашина <sup>(21)</sup>
- Дупчење на плочки без лизгање <sup>(22)</sup>
- Многу други совети можете да најдете на [www.skil.com](http://www.skil.com)

## ОДРЖУВАЊЕ/СЕРВИСИРАЊЕ

- Овој алат не е наменет за професионална употреба
- Алатот и кабелот секогаш да се одржуваат чисти (особено отворите за ладење K <sup>(5)</sup>)
- ! **пред чистење извадете го алатот од приклучонокот**
- Доколку алатот и покрај внимателното работење и контрола некогаш откаже, поправката мора да ја изврши некој овластен SKIL сервис за електрични алати
- во случај на примедба, испратете го алатот **нерасклопен**, заедно со сметкопотврдата, до вашиот продавач или најблискиот SKIL сервис (адресите се наведени на [www.skil.com](http://www.skil.com))

## ЗАШТИТА НА ЖИВОТНАТА СРЕДИНА

- **Не се ослободувајте од елентични алати, уреди или амбалажа преку нивно фрлање во домашното ѓубре** (само за земјите на ЕУ)
- според Европската Директива 2012/19/EC за ослободување од електрична и електронска опрема и нејзина имплементација во согласност со националните закони, електричните алати кои го достигнале крајот на својот животен век мора да бидат собрани посебно и да бидат вратени во соодветен објект за рециклирање
- симболот <sup>(4)</sup> ќе ве потсетува на ова кога ќе дојде време алатот да го фрлите

## БУЧАВА / ВИБРАЦИИ

- Мерено во согласност со EN 60745 нивото на звучен притисок е 91,0 dB(A) а нивото на звучна моќност 102,0 dB(A) (стандардно отстапување: 3 dB), и вибрација \*  $m/c^2$  (векторски збир на трите показатели; несигурност  $K = 1.5 m/c^2$ )
- \* при дупчење со чекан во бетон 12,3  $m/c^2$
- \* при длабење 10,9  $m/c^2$
- Нивото на емитирање на вибрации кое е наведено на задниот дел на ова упатство е измерено во согласност со стандардизираниот тест даден во EN 60745; може да се користи за да се спореди еден алат со друг, и како првична оценка за изложеноста на вибрации кога се користи алатот за споменатите примени
- користењето на алатот за разни примени, или со различни или неправилно чувани делови, може да доведе до значајно **зголемување** на нивото на изложеност
- кога алатот е исклучен или кога алатот е вклучен но не врши некаква работа, може да дојде до значително **намалување** на нивото а изложеност

! **заштитете се од ефектите на вибрациите преку одржување на алатот и неговите делови, одржување на топлината во вашите раце, и организирање на вашата работа**

AL

## Trapan çekiç

1763

### HYRJE

- Kjo pajisje është e projektuar për shpim si çekiç në beton, tulla dhe gurë si dhe punë të lehta gërryerjeje; për shpim në dru, metal dhe plastikë si dhe për vidhosje; duhet të përdoren aksesorët të veçantë
- Sistemi i shpimit çekiç në këtë vegël ka rendiment më të mirë se çdo trapan tradicional kur shpini në beton
- Kjo vegël nuk është e projektuar për përdorim profesional
- Kjo pajisje është projektuar për përdorim në ndërthurje me të gjithë aksesorët standardë SDS+
- Lexoni dhe ruani këtë manual të përdorimit ②

### TË DHËNAT TEKNIKE ①

\* Energjia e impaktit për goditje sipas Procedurës EPTA 05/2009 (vlera nuk është ende e disponueshme)

### ELEMENTET E VEGËL ⑤

- A Çelësi për ndezje/fikje dhe kontrolli i shpejtësisë
- B Rrota për kontrollin e shpejtësisë maksimale
- C Butoni për bllokimin e çelësit
- D Leva për ndryshimin e drejtimin të rrotullimit
- E Çelësi për zgjedhjen e mënyrës së funksionimit
- F Butoni i zhblokimit
- G Këmisha bllokuese
- H Përshtatësi + mandrina 13 mm
- J Doreza ndihmëse
- K Të çarat e ajrosjes
- L Treguesi i thellësisë

### SIGURIA

#### PARALAJMËRIME TË PËRGJITHSHME TË SIGURISË PËR PAJISJET ELEKTRIKE

**PARALAJMËRIM** Lexoni të gjitha paralajmërimet e sigurisë, udhëzimet, ilustrimet dhe specifikimet e paraqitura me këtë vegël pune. Mosrespektimi i të gjitha udhëzimeve të renditura më poshtë mund të rezultojë në goditje elektrike, zjarr dhe/ose dëmtime të rënda.

**Ruani të gjitha paralajmërimet dhe udhëzimet për referencë në të ardhmen.**

Termi "pajisje elektrike" në paralajmërimet i referohet pajisjes elektrike që përdoret nga priza (me kablo) ose pajisjes elektrike me bateri (pa kablo).

#### 1) SIGURIA E ZONËS SË PUNËS

- a) **Mbajeni zonën e punës të pastër dhe të ndriçuar mirë.** Zonat e çrregullta ose të errëta janë një ftesë për aksidente.

- b) **Mos i përdorni pajisjet elektrike në situata me mundësi shpërthimi, si në prani të lëngjeve, gazeve ose pluhurave të djegshëm.** Pajisjet elektrike shkaktojnë shkëndija që mund të ndezin pluhurat ose avujt.

- c) **Mbajini fëmijët dhe personat e tjerë larg gjatë përdorimit të veglës së punës.** Tërheqja e vëmendjes mund të shkaktojë humbjen e kontrollit.

#### 2) SIGURIA ELEKTRIKE

- a) **Spinat e veglës së punës duhet të përpunohen me prizën. Mos modifikoni kurrë spinën në asnjë mënyrë. Mos përdorni asnjë spinë përshtatëse me veglat e punës me tokëzim.** Spinat e pamodifikuara dhe prizat përshtatëse do të zvogëlojnë rrezikun e goditjes elektrike.
- b) **Shmangni kontaktin trupor me sipërfaqe të tokëzuar si tuba, radiatorë, soba dhe frigoriferë.** Ka një rrezik më të madh të goditjeve elektrike nëse trupi është i tokëzuar.
- c) **Mos ekspozoni veglat e punës në shi ose në kushte me lagështi.** Uji që hyn në veglën e punës do të rritë rrezikun e goditjes elektrike.
- d) **Mos abuzoni me kordonin. Mos e përdorni kurrë kordonin për transportin, tërheqjen ose heqjen e spinës së veglës së punës. Mbajeni kordonin larg nga nxehtësia, vaji, anët e mprehta ose pjesët që lëvizin.** Kordonët e dëmtuar ose e bllokuar rrisin rrezikun e goditjes elektrike.
- e) **Kur përdorni një vegël pune në mjedise të jashtme, përdorni një kordon zgjatues të përshtatshëm për përdorim në mjedise të jashtme.** Përdorimi i një kordoni të përshtatshëm për përdorime në mjedise të jashtme zvogëlon rrezikun e goditjes elektrike.
- f) **Nëse përdorimi i veglës së punës në një vend me lagështi është i pashmangshëm, përdorni një automati çarku me shkarkesë me tokëzim.** Përdorimi i një automati me shkarkesë me tokëzim zvogëlon rrezikun e goditjes elektrike.

#### 3) SIGURIA PERSONALE

- a) **Qëndroni në gatishmëri, shikoni se çfarë po bëni dhe përdorni gjykimin kur përdorni një vegël pune. Mos e përdorni një vegël pune kur jeni i lodhur ose nën ndikimin e ilaçeve, alkoolit ose mjekimit.** Një moment humbje e vëmendjes gjatë përdorimit të veglave të punës mund të shkaktojë dëmtime të rënda personale.
- b) **Përdorni pajisje personale mbrojtëse. Mbani gjithmonë pajisje për mbrojtjen e syve.** Pajisjet mbrojtëse si maska kundër pluhurit, këpucët që nuk rrëshqasin, kaskat ose pajisjet për mbrojtjen e veshëve për kushtet përkatëse do të zvogëlojnë dëmtimet personale.
- c) **Parandaloni ndezjen e rastësishme. Sigurohuni që çelësi është në pozicionin fikur para se të lidhni burimin e energjisë dhe/ose baterinë, para se të merrni ose të transportoni pajisjen.** Transportimi i veglave të punës me gishtin në çelës ose aktivizimi i veglave të punës që kanë çelësin të ndezur është një ftesë për aksidente.
- d) **Hiqni çdo çelës ose çelës përshtatës para ndezjes së veglës së punës.** Një çelës i lënë i lidhur me një pjesë rrotulluese të veglës së punës mund të shkaktojë dëmtime personale.

- e) **Mos u zgjasni.** Mbani një vendosje të mirë të këmbëve dhe një ekuilibër të mirë në çdo moment. Kjo gjë bën të mundur një kontroll më të mirë të vegjlës së punës në situata të papritura.
- f) **Vishuni në mënyrën e duhur.** Mos vishni veshje të gjera ose bizhuteri. Mbani flokët, veshjet dhe dorashkat larg nga pjesët lëvizëse. Veshjet e gjera, bizhuteritë ose flokët e gjatë mund të kapen nga pjesët në lëvizje.
- g) **Nëse janë ofruar pajisje për lidhjen e pajisjeve të mbledhjes dhe nxjerrjes së pluhurave, sigurohuni që ato të jenë të lidhura dhe të përdoren si duhet.** Përdorimi i mbledhjes së pluhurave mund të zvogëlojë rreziqet në lidhje me pluhurat.
- h) **Mos lejoni që familjarizimi i fituar nga përdorimi i shpeshtë i veglave t'ju lejojë të tregoheni të vetëkënaqur dhe të shpërfillni parimet e sigurisë për pajisjet.** Një veprim i pakujdesshëm mund të shkaktojë dëmtime të rënda në më pak se një sekondë.
- 4) PËRDORIMI DHE KUJDESI PËR VEGLËN E PUNËS**
- a) **Mos ushtroni forcë mbi veglën e punës.** Përdorni veglën e punës të duhur për përdorimin tuaj. Vegla e punës e duhur do të realizojë një punë më të mirë dhe më të sigurt dhe me shpejtësinë që ajo është e projektuar.
- b) **Mos përdorni veglën e punës nëse çelësi nuk e ndez apo e fik.** Çdo vegël pune që nuk mund të kontrollohet me anë të çelësit është e rrezikshme dhe duhet të riparohet.
- c) **Shkëputni spinën nga burimi i energjisë dhe/ose baterinë nga vegla e punës para se të bëni rregullime të tjera, të ndryshoni aksesoret ose të ruani veglat e punës.** Këto masa parandaluese të sigurisë ulin rrezikun e ndezjes aksidentale të vegjlës së punës.
- d) **Mbani veglat e punës larg fëmijëve dhe mos lejoni personat e pamësuar me veglën e punës ose këto udhëzime për përdorimin e pajisjes.** Veglat e punës janë të rrezikshme në duart e përdoruesve të patrajnuar.
- e) **Mirëmbani veglat e punës.** Kontrolloni për mospërshtatje ose bllokim të pjesëve lëvizëse, thyerje të pjesëve dhe gjendje të tjera që mund të ndikojnë në funksionimin e vegjlës së punës. Nëse dëmtohet, riparohet veglën e punës para përdorimit. Shumë aksidente shkaktohen nga veglat e punës jo të mirëmbajtura si duhet.
- f) **Mbajni pajisjet prerëse të pastra dhe të mprehta.** Pajisjet e prerjes të mirëmbajtura dhe me anë të mprehta kanë më pak mundësi për t'u bllokuar dhe janë më të lehta për t'u kontrolluar.
- g) **Përdorni veglat e punës, aksesoret dhe puntot, etj. në përputhje me këto udhëzime, duke marrë parasysh kushtet e punës dhe punën që do të kryhet.** Përdorimi i veglave për përdorime të ndryshme nga ato të përcaktuara mund të shkaktojë rreziqe.
- h) **Mbajni dorezat dhe sipërfaqet ku mbaheni të thata, të pastra dhe pa vajra ose graso.** Dorezat dhe sipërfaqet ku mbaheni, kur janë të rrëshqitshme, nuk ju lejojnë ta menaxhoni dhe ta kontrolloni në mënyrë të sigurt pajisjen në situata të papritura.

## 5) SHËRBIMI

- a) **Shërbimi i veglës së punës duhet të kryhet nga një person i kualifikuar për riparimet duke përdorur vetëm pjesë ndërrimi identike.** Kjo gjë do të sigurojë ruajtjen e sigurisë së veglave të punës.

## UDHËZIMET E SIGURISË PËR TRAPANËT ÇEKIÇ

### TË PËRGJITHSHME

- Kontrolli gjithmonë që voltazhi i energjisë të jetë i njëjtë si voltazhi që tregohet në etiketën e veglës (veglat me klasifikimin 230 V ose 240 V mund të lidhen po ashtu me një burim 220 V)
- Kjo pajisje nuk duhet të përdoret nga personat nën moshën 16 vjeç
- **Mos punoni me materiale që përmbajnë asbest** (asbesti konsiderohet kancerogjen)
- Mos e përdorni kurrë veglën kur kordoni është i dëmtuar; zëvendësojeni nga një person i kualifikuar
- **Shkëputni gjithmonë spinën nga burimi i energjisë para kryerjes së rregullimeve ose ndryshimeve të aksesoreve**

### AKSESORËT

- SKIL mund të garantojë funksionimin pa probleme të veglës vetëm kur përdoren aksesoret origjinalë
- Përdorni vetëm aksesorë me një shpejtësi të lejuar që përshtatet të paktën me shpejtësinë më të lartë pa ngarkesë të pajisjes

### PARA PËRDORIMIT

- Përdorni kordonin të pahapur dhe të sigurt për zgjatime, me një kapacitet 16 amper
  - Shmangni dëmtimet që mund të shkaktohen nga vidat, gozhdët dhe elementet e tjera në materialin e punës; hiqni ato para se të filloni punën
  - **Siguroni materialin e punës** (një material i shtrënguar me një pajisje shtrëngimi ose morskë mbahet në mënyrë më të sigurt se sa me dorët)
  - **Përdorni detektorë përkatës për të gjetur linjat e fshehura të shërbimit ose telefononi kompaninë lokale të shërbimeve për ndihmë** (kontakti me linjat elektrike mund të shkaktojë zjarr ose goditje elektrike; dëmtimi i një linje gazi mund të shkaktojë një shpërthim; shpimi i një tubi uji do të shkaktojë dëmtim të pronës ose një goditje elektrike)
  - Puhurat nga materialet si boja me plumb, disa lloje drurësh, mineralesh dhe metalesh mund të jenë të dëmshme (kontakti ose thithja e pluhurave mund të shkaktojë reagime alergjike dhe/ose sëmundje respiratore për përdoruesin ose personat përreth); **mbani një maskë për pluhurat dhe punoni me një pajisje për heqjen e pluhurave kur mund të lidhet**
  - Disa lloje pluhurash skanë klasifikuar si kancerogjene (si pluhuri i lisit dhe i ahut) veçanërisht në ndërthurje me lëndët shtesë për kondicionimin e drurit; **mbani një maskë për pluhurat dhe punoni me një pajisje për heqjen e pluhurave kur mund të lidhet**
  - Respektoni kërkesat kombëtare në lidhje me pluhurat për materialet me të cilat dëshironi të punoni
- ### GJATË PËRDORIMIT
- **Mbani mbrojtëse për veshët** (ekspozimi ndaj zhurmës mund të shkaktojë humbje të dëgjimit)

- **Përdorni dorezë(a) ndihmëse, nëse është e përfshirë me pajisjen** (humbja e kontrollit mund të shkaktojë dëmtime personale)
- **Mbajeni veglën e punës nga sipërfaqet e izoluarat e kapjes kur kryeni një veprim ku aksesori i prerjes mund të bjerë në kontakt me tela të fshehur ose kordoni e tij** (një aksesori i prerjes që bie në kontakt me një tel elektrik mund të bëjë që pjesët metalike të ekspozuara të pajisjes të transmetojnë elektricitetin dhe të shkaktojnë goditjen elektrike të përdoruesit)
- Mbajeni kordonin gjithmonë larg nga pjesët lëvizëse të pajisjes
- Në rast të një defekti elektrik ose mekanik, fikni menjëherë pajisjen dhe hiqni spinën
- Nëse kordoni dëmtohet ose pritet gjatë punës, mos e prekni kordonin por hiqni menjëherë spinën
- Nëse puntoja bllokohet papritur (duke shkaktuar një reagim të papritur dhe të rrezikshëm), fikeni menjëherë pajisjen.
- Kini parasysh forcat që ndodhin si rezultat i bllokimit (veçanërisht kur shpini në metale); **përdorni gjithmonë doreza ndihmëse J** ⑤ dhe mbani një pozicionim të sigurt

#### PAS PËRDORIMIT

- Kur ta largoni pajisjen, fikeni motorin dhe sigurohuni që të gjitha pjesët lëvizëse të kenë ndalur plotësisht

#### SHPJEGIMI I SIMBOLEVE NË VEGJËL

② Lexoni manualin e udhëzimeve para përdorimit

③ Izolim i dyfishtë (nuk kërkohet tokëzim)

④ Mos e hidhni veglën bashkë me materialet e mbetjeve familjare

## PËRDORIMI

- Ndezje/Fikje ⑥
- Bllokimi i çelësit për përdorim në vazhdim ⑦
- Kontrolli i shpejtësisë për ndezjen e butë ⑧
- Kontrolli i shpejtësisë maksimale ⑨
- Me anë të rrotës B ⑤ shpejtësia maksimale mund të rregullohet gradualisht nga minimumi deri në maksimum
- Ndryshimi i drejtimit të rrotullimit ⑩
  - kur nuk është e vendosur si duhet në pozicionin e majtë/djathtë, çelësi A nuk mund të aktivizohet
- **! ndryshoni drejtimin e rrotullimit vetëm kur pajisja të jetë plotësisht e ndalur**
- Zgjedhja e modalitetit të veprimit ⑪
  - shtypni butonin F për të zhblokuar çelësin E
  - rrotulloni çelësin E në modalitetin e dëshiruar të funksionimit deri sa të bllokohet me kërcitje
- **! filloni të punoni vetëm kur çelësi E të jetë i bllokuar**
  - 1 = shpim normal/vidhosje
  - 2 = shpim me goditje
  - 3 = gërryerje me daltë rrotulluese
  - 4 = gërryerje me daltë fikse
- **! zgjidhni modalitetin e punës vetëm kur pajisja të jetë e fikur dhe spina e shkëputur**
  - mekanizmi i goditjes çekiç aktivizohet duke ushtruar pak trysni mbi pajisje kur puntoja e shpimit është në kontakt me materialin e punës
  - rezultatet më të mira të shpimit me goditje çekiçi mund t'i arrini me vetëm pak shtypje mbi pajisje; rendimenti i

shpimit nuk do të rritet duke ushtruar më shumë trysni mbi pajisje

- Gërryerje me daltën rrotulluese ⑫
  - **! fikni pajisjen dhe hiqni spinën**
    - zgjidhni modalitetin e daltës rrotulluese
- Gërryerje me daltën fikse ⑬
  - **! fikni pajisjen dhe hiqni spinën**
    - zgjidhni modalitetin e daltës rrotulluese
    - vendoseni daltën në pozicionin që dëshironi
    - zgjidhni modalitetin e daltës fikse
- Ndërrimi i puntave ⑭
  - **! pastroni dhe lubrifikoni pak aksesoren SDS+ para lidhjes**
    - tërhiqni këmishën bllokuese G dhe futni aksesoren në mandrinën SDS+ duke e rrotulluar dhe shtyrë deri sa të vendoset; aksesori do të bllokohet automatikisht në pozicionin përkatës
    - tërhiqni aksesoren për të kontrolluar që është bllokuar si duhet
    - hiqeni aksesoren duke tërhequr këmishën bllokuese G
  - **! aksesori SDS+ kërkon liri veprimi gjë që shkakton rrotullim jashtë qendrës kur pajisja është pa ngarkesë; sidoqoftë aksesori centrohet automatikisht vetë gjatë përdorimit pa ndikuar në saktësinë e shpimit**
  - **! mos përdorni punto/dalta me bosht të dëmtuar**
    - Për shpime në dru, metal dhe plastikë si dhe për vidhosje, përdorni përshtatës H ⑮
    - pastroni dhe lubrifikoni pak përshtatësin para lidhjes
    - tërhiqni këmishën bllokuese G dhe futni përshtatësin në mandrinën SDS+ duke e rrotulluar dhe shtyrë deri sa të vendoset; përshtatësi do të bllokohet automatikisht në pozicionin përkatës
    - tërhiqni përshtatësin për të kontrolluar nëse është bllokuar si duhet
    - vendoseni çelësin E ⑤ në shpim normal (**aktivizojeni vetëm kur pajisja të jetë e fikur dhe spina e hequr**)
  - Freksioni i sigurisë
    - Nëse aksesori bllokohet, shtytja në bosht do të ndërpritet (duke shkaktuar një zhurmë kërcitëse)
    - fikni menjëherë pajisjen
    - hiqni aksesoren e bllokuar
    - ndizni përsëri pajisjen
  - Rregullimi i thellësisë së shpimit ⑯
  - Mbajtja dhe drejtimi i veglës ⑰
    - **! gjatë punës, mbajeni gjithmonë veglën në zonën(at) e dorezës me ngjyrë gri**
    - **përdorni gjithmonë dorezën ndihmëse J** (mund të rregullohet sipas ilustrimit)
    - mbajini të hapura të çarat e ajrimit
    - mos ushtroni shumë trysni mbi pajisje; mësoni pajisjen që të punojë për ju

## KËSHILLË PËR PËRDORIMIN

- Përdorni puntat e duhura ⑲
  - **! përdorni vetëm punto/dalta të mprehta**
- Kur shpini metale ferore
  - shpini paraprakisht një vrimë të vogël, kur kërkohet një vrimë e madhe
  - lubrifikoni herë pas here me vaj puntan e shpimit

- Kur vidhosni një vidë/pranë skajit të prerjes kryq ose një skaj të drurit, shpiti paraprakisht një vrimë për të shmangur krisjen e drurit
- Shpimi pa ashkla në dru <sup>(19)</sup>
- Shpimi pa pluhura në mure <sup>(20)</sup>
- Shpimi pa pluhura në tavanë <sup>(21)</sup>
- Shpimi në pllaka pa rrëshqitur <sup>(22)</sup>
- Për më shumë këshilla, vizitoni [www.skil.com](http://www.skil.com)

## MIRËMBAJTJA / SHËRBIMI

- Kjo vegël nuk është e projektuar për përdorim profesional
- Mbajeni gjithmonë veglën dhe kordonin të pastër (veçanërisht të çarut e ajrosjes K <sup>(5)</sup>)
- ! **shkëputni spinën para pastrimit**
- Nëse pajisja ka defekt pavarësisht kujdesit në prodhim dhe procedurat e provave, riparimi duhet të kryhet nga një qendër e shërbimit pas shitjes për veglat e punës të SKIL
  - dërgoni veglën të **çmontuar** së bashku me vërtetimin e blerjes të shitësi ose të qendra më e afërt e shërbimit e SKIL (adresat si dhe diagrami i shërbimit i veglës janë të paraqitura në [www.skil.com](http://www.skil.com))

## MJEDISI

- **Mos i hidhni veglat elektrike, aksesoret dhe paketimin së bashku me materialet e mbeturinave familjare** (vetëm për vendet e BE-së)
  - në respektim të Direktivës evropiane 2012/19/EC për pajisjet elektrike dhe elektronike si mbetje dhe zbatimin e saj në përputhje me ligjet kombëtare, pajisjet elektrike që kanë arritur në fund të jetëgjatësisë së tyre duhet të mblidhen të ndara dhe të kthehen në një objekt riciklimi në përputhje me mjedisin.
  - simboli <sup>(4)</sup> do t'ju kujtojë për këtë gjë kur të jetë nevoja për t'i hedhur

## ZHURMA / VIBRIMI

- E matur në përputhje me EN 60745, niveli i trysnisë së tingullit i kësaj pajisje është 91,0 dB(A) dhe niveli i fuqisë së tingullit 102,0 dB(A) (shmangia standarde: 3 dB) dhe vibrimi \*  $m/s^2$  (shuma vektor i tre drejtime; pasiguria K = 1,5  $m/s^2$ )
  - \* gjatë shpimit si çekiç në beton 12,3  $m/s^2$
  - \* gjatë gërryerjes 10,9  $m/s^2$
- Niveli i emetimit të vibrimit është matur në përputhje me një provë të standardizuar të dhënë në EN 60745; ajo mund të përdoret për të krahasuar një vegël me një tjetër dhe si një vlerësim paraprak i ekspozimit ndaj vibrimit kur përdorni pajisjen për proceset e përmendura
  - përdorimi i pajisjes për procese të ndryshme, ose me aksesoret të ndryshëm dhe të mirëmbajtur keq, mund të **rritë** ndjeshëm nivelin e ekspozimit
  - kohët kur pajisja është e fikur dhe kur është e ndezur por jo në punë, mund të **zvogëlojnë** ndjeshëm nivelin e ekspozimit
- ! **mbroni veten nga efektet e vibrimit duke mirëmbajtur pajisjen dhe aksesoret e saj, duke i mbajtur duart e ngrohta dhe duke organizuar mënyrën tuaj të punës**

- ابزار را بصورت **بازنشده** همراه با رسید خرید به فروشنده یا نزدیک ترین مرکز خدمات رسانی SKIL پفرستید (آدرسها به همراه نمودارنشده های سرویس ابزار در [www.skil.com](http://www.skil.com) موجود است)

#### محیط زیست

- \* **ابزارهای برقی، لوازم و متعلقات و بسته بندی آنها را نباید همراه با زباله های عادی خانگی دور انداخت** (فقط مخصوص کشورهای عضو اتحادیه اروپا)
  - با توجه به مصوبه اروپایی 2012/19/EC اروپا درباره لوازم برقی و الکترونیکی مستعمل و اجرای این مصوبه مطابق با قوانین کشوری ابزارهای برقی که به پایان عمر مفید خود رسیده اند باید جداگانه جمع آوری شده و به یک مرکز بازیافت مناسب و سازگار با محیط زیست انتقال یابند
  - **نماد علامت 4** یادآور این مسئله در هنگام دور انداختن است

#### صد / ارتعاشات

- \* اندازه گیری ها بر اساس استاندارد EN 10745 انجام و مشخص شد که میزان فشار صوتی این ابزار 91,0 دسی بل و میزان توان صوتی آن 10,0 دسی بل (با انحراف استاندارد 3: دسی بل)، و میزان ارتعاشات \* می باشد (جمع بردارهای سه جهت  $K = 1,5$  متر/مجدور ثانیه)
  - \* در صورت دریل کاری ضربه ای بتن 12,3 متر/مجدور ثانیه
  - \* در صورت قلم کاری 10,9 متر/مجدور ثانیه
- \* میزان انتشار ارتعاشات بر اساس تست استاندارد شده ای که در EN 10745 معرفی شده است اندازه گیری گردید. از این ارقام می توان برای مقایسه یک ابزار با دیگری و بعنوان ارزیابی اولیه در معرض قرارگیری ارتعاشات هنگام کار با ابزار در کاربری های فوق استفاده کرد
  - استفاده کردن از ابزار برای کاربردهای متفاوت، یا با لوازم و متعلقات متفاوتنفرقه یا لوازم و متعلقاتی که بد نگهداری شده اند، می تواند میزان در معرض قرارگیری را بطور قابل ملاحظه ای افزایش دهد
  - مواقعی که ابزار خاموش است یا روشن است ولی کاری با آن انجام نمی شود، میزان در معرض قرارگیری بطور قابل توجهی کاهش می یابد
- ! **با نگهداری مناسب از ابزار و لوازم و متعلقات آن، گرم نگهداشتن دست های خود، و سازمان دهی طرح های کاری می توانید خود را در برابر اثرات ارتعاش محافظت کنید**

- از مقررات ملی مربوط به گرد و خاک موادی که می خواهید با آنها کار کنید پیروی نمایید
  - در حین استفاده
  - از محافظ گوش استفاده کنید (قرار گرفتن در معرض صدای این ابزار می تواند به شنوایی آسیب برساند)
  - از دسته(های) کمکی. در صورت ارائه به همراه ابزار استفاده کنید (از دست دادن کنترل روی ابزار می تواند به جراحات های فردی منجر شود)
  - هنگام استفاده از ابزار در مواردی که امکان دارد متعلقات برش با سیم های پنهان شده یا سیم های خود ابزار تماس پیدا کنند. حتماً ابزار را از جای دست های مخصوص عایق شده بگیرید (تاس متعلقات برش با سیم های «برق دار» می تواند در بخش های فلزی دستگاه نیز جریان «برق» تولید کرده و موجب شوک برقی استفاده کننده شود)
  - همیشه باید سیم برق ابزار را از بخشهای متحرک آن دور نگهدارید
  - در صورت بروز اشکالات برقی یا مکانیکی. فوراً ابزار را خاموش کرده و سیم برق آنرا از پریز بکشید
  - اگر سیم برق آسیب دیده یا بریده شده باشد. هرگز به سیم دست نزنید. اما فوراً آنرا از پریز بکشید
  - اگر سیمته بطور ناگهانی گیر کرد (که نتیجه آن یک حرکت واکنشی ناگهانی و خطرناک است). فوراً ابزار را خاموش کنید
  - مراقب نیروهای ناشی از گیر کردن باشید (بخصوص هنگام دریل کردن فلزات)؛ همیشه از دسته کمکی استفاده کرده ل. (2) و در حالت مطمئن بایستید
- بعد از استفاده**
- وقتی که کار شما یا ابزار تمام شد. حتماً موتور آنرا خاموش کرده و مطمئن شوید که تمام بخشهای متحرک آن از حرکت ایستاده اند
  - شرح علائم و نمادهای روی ابزار
  - 1) پیش از کار حتماً دفترچه راهنما را مطالعه کنید
  - 2) عایق دوگانه (نیازی به سیم اتصال به زمین - ارت نیست)
  - 3) ابزار را همراه زباله های خانگی دور نیندازید

## استفاده

- روشن/خاموش 1
- ضامن برای کار پیوسته 2
- کنترل دور برای شروع بکار ملایم 3
- کنترل حداکثر دور 4
- با کلید الکترونیک (دیمر) B 5 می توان حداکثر دور را بدون پله از حداقل تا حداکثر تنظیم کرد
- تغییر جهت چرخش 6
- کلید A در صورتی که درست در وضعیت چپ/راست تنظیم نشده باشد. فعال نخواهد شد

**! فقط زمانی جهت چرخش ابزار را عوض کنید که ابزار در حالت توقف**

**کامل باشد**

- انتخاب حالت کاری 7
- دکمه F برای باز کردن قفل کلید E فشار دهید
- کلید E را چرخانده و به حالت کاری دخواه بیاورید تا اینکه در جای خود قفل نشود

**! فقط زمانی کار را شروع کنید که کلید E قفل شده باشد**

- 1 = پیچ/دریل کاری عادی
- 2 = دریل کاری ضربه ای
- 3 = قلم کاری با قلم دوار
- 4 = قلم کاری با قلم ثابت
- فقط موقعی که ابزار خاموش و سیم برق آن کشیده شده است حالت کاری آنرا انتخاب کنید
- مکانیسم چکش موقعی که سیمته با قطعه کار در تماس است با وارد کردن فشار کمی بر ابزار فعال می شود
- برای بدست آوردن بهترین نتیجه دریل کاری چکشی فقط کافی است کمی فشار روی ابزار وارد شود. عملکرد دریل کاری با وارد کردن فشار بیشتر بروی ابزار بهبودی نمی یابد

**! قلم کاری با قلم دوار 11**

- ابزار را خاموش کرده و دوشاخه را بکشید
- حالت قلم کاری «دوار» را انتخاب کنید

**قلم کاری با قلم ثابت 13**

**! ابزار را خاموش کرده و دوشاخه را بکشید**

- حالت قلم کاری «دوار» را انتخاب کنید

- قلم را در موقعیت دخواه قرار دهید

- حالت قلم کاری «ثابت» را انتخاب کنید

**• عوض کردن سیمته 14**

**! پیش از قرار دادن قطعه + SDS. آنرا تمیز کرده و کمی روغنکاری نمایید**

- ماسوره قفلی G را عقب کشیده و متعلقات را در کلاج + SDS قرار داده و بچرخانید و فشار دهید تا درگیر شود؛ متعلقات بطور خودکار در جای خود قفل می شوند

- برای اینکه از قفل شدن صحیح متعلقات مطمئن شوید آنها را بکشید

- با عقب کشیدن ماسوره قفلی G می توانید متعلقات را بردارید

**! متعلقات + SDS نیازمندی آزادی حرکت هستند که باعث می شود ابزار در صورتی پیور بر آن نیناشد دارای لنگی شوند؛ اما متعلقات در حین کار بطور خودکار و بدون خدشه در ساختن دقت دریل کاری در محل مناسب قرار می گیرند**

**! اگر ساقه سیمته/قلم آسیب دیده است نباید از آن استفاده کنید**

- برای دریل کاری چوب. فلزات و پلاستیک و نیز پیچ کاری از تبدیل H 15 استفاده کنید

- پیش از قرار دادن تبدیل آنرا تمیز کرده و کمی روغنکاری نمایید

- ماسوره قفلی G را عقب کشیده و تبدیل را در کلاج + SDS قرار داده و آنرا بچرخانید و فشار دهید تا درگیر شود؛ تبدیل بطور خودکار در جای خود قفل می شود

- برای اینکه از قفل شدن صحیح تبدیل مطمئن شوید آنرا بکشید

- کلید E 5 را در حالت دریل کاری عادی قرار دهید (فقط موقعی که ابزار خاموش و سیم برق آن کشیده شده است)

**• کلاج ایمنی**

- اگر متعلقات گیر کنند. محرک شفت درست کار نخواهد کرد (و صدای تق تق ایجاد می شود)

- ابزار را فوراً خاموش کنید

- متعلقات گیر کرده را خارج کنید

- ابزار را دوباره روشن کنید

**• تنظیم عمق منته کاری 11**

**• نگهداشتن و هدایت ابزار 12**

**! هنگام کار باید همیشه ابزار را از جا(های) دست خاکستری رنگ بگیرید**

- همیشه از دسته کمکی استفاده کنید ل (مطابق شکل قابل تنظیم است)

- منافع تهیهی را مسدود نکنید

- فشار بیش از حد به ابزار وارد نکنید؛ بگذارید ابزار به جای شما کار کند

## توصیه های کاربردی

• از سیمته های مناسب استفاده کنید 18

**! فقط از سیمته ها/قلمهای تیز استفاده کنید**

• برای منته کردن فلزات آهنی

- اگر می خواهید سوراخ بزرگی ایجاد کنید. ابتدا یک سوراخ کوچک اولیه ایجاد کنید

- سیمته را هر چند وقت یکبار با روغن روانکاری کنید

• هنگام سفت کردن یک پیچ در/کنار لبه یا مقطع برش یک تکه چوب. ابتدا یک سوراخ ایجاد کنید تا چوب ترک نخورد

• منته کاری بدون تراشه چوب 16

• منته کاری دیوار بدون گرد و غبار 19

• منته کاری سقف بدون گرد و غبار 11

• منته کاری کاشی ها بدون لیز خوردن 11

• برای نکات بیشتر به [www.skil.com](http://www.skil.com) مراجعه کنید

## نگهداری / سرویس- خدمات

• این ابزار برای مصارف حرفه ای مناسب نیست

• همیشه ابزار و سیم برق را تمیز نگهدارید (بخصوص شیارهای تهیهی K 5)

**! پیش از تمیز کردن سیم برق را از برق بکشید**

• اگر ابزار/علیه تمیز تمام وقت و مراقبتی که در فرآیندهای تولید و تست بکار برده شده از کار افتاد. تعمیرات باید فقط در مراکز خدمات پس از فروش ابزارهای برقی SKIL انجام شود



- ب) از تماس بدنی با قطعات دارای سیم اتصال به زمین (ارت شده) مانند لوله، شوفاژ، اجاق برقی و یخچال خود داری کنید. در صورتیکه بدن شما با سیم دارای اتصال به زمین (ارت شده) تماس پیدا کند. خطر برق گرفتگی بیشتر خواهد شد.
- ت) دستگاه را از باران و رطوبت دور نگهدارید. نفوذ آب به ابزار الکتریکی. خطر شوک الکتریکی را افزایش می دهد.
- ث) از سیم به درستی استفاده کنید. از سیم دستگاه برای کارهایی چون حمل ابزار الکتریکی، آویزان کردن آن یا خارج کردن دوشاخه از برق استفاده نکنید. دستگاه را در مقابل حرارت، روغن، لیه های تیز و بخش های متحرک دستگاه دور نگهدارید. کابل های آسیب دیده و یا گره خورده خطر شوک الکتریکی را افزایش می دهند.
- ج) در صورتیکه با ابزار الکتریکی در محیط باز کار می کنید. تنها از کابل یا بطن استفاده کنید که برای محیط باز نیز مناسب باشد. کابل های رابط مناسب برای محیط باز. خطر برق گرفتگی را کم می کنند.
- ح) در صورت لزوم کار با ابزار الکتریکی در محیط و اماکن مرطوب. در اینصورت باید از یک کلید حفاظتی جریان خطا و نشستی زمین (کلید قطع کننده اتصال با زمین) استفاده کنید. استفاده از کلید حفاظتی جریان خطا و نشستی زمین خطر برق گرفتگی را کمتر می کند.
- ۳) رعایت ایمنی اشخاص  
ا) حواس خود را خوب جمع کنید. به کار خود دقت کنید و با فکر و هوش کامل با ابزار الکتریکی کار کنید. در صورت خستگی و یا در صورتیکه مواد مخدر، الکل و دارو استفاده کرده اید. با ابزار الکتریکی کار نکنید. یک خطه بی توجهی هنگام کار با ابزار الکتریکی. می تواند جراحات حای شدیدی به همراه داشته باشد.
- ب) همواره از تجهیزات ایمنی شخصی استفاده کنید. همواره از عینک ایمنی استفاده کنید. استفاده از تجهیزات ایمنی مانند ماسک ایمنی. کشش های ایمنی ضد لغزش. کلاه ایمنی و گوشی ایمنی مناسب با نوع کار با ابزار الکتریکی. خطر مجروح شدن را تقلیل می دهد.
- ت) مواظب باشید که ابزار الکتریکی بطور ناخواسته بکار نیفتد. قبل از وارد کردن دوشاخه دستگاه در پریز برق. اتصال آن به باتری. برداشتن آن و یا حمل دستگاه. باید دقت کنید که ابزار الکتریکی خاموش باشد. در صورتیکه هنگام حمل دستگاه انگشت شما روی دکمه قطع و وصل باشد و یا دستگاه را در حالت روشن به برق بزنید. ممکن است سوانح کاری پیش آید.
- ث) قبل از روشن کردن ابزار الکتریکی. باید همه ابزار های تنظیم کننده و آچار ها را از روی دستگاه بردارید. ابزارو آچارهایی که روی بخش های چرخنده دستگاه قرار دارند. می توانند باعث ایجاد جراحات شوند.
- ج) پیش از حد به آنها نزدیک نشوید. برای کار جای مطمئنی برای خود انتخاب کرده و تعادل خود را همواره حفظ کنید. به این ترتیب می توانید ابزار الکتریکی را در وضعیت های غیر منظره بهتر تحت کنترل داشته باشید.
- ح) لباس مناسب بپوشید. از پوشیدن لباس های فراخ و حمل زینت آلات خود داری کنید. موها. لباس و دستکش ها را از بخش های درحال چرخش دستگاه دور نگهدارید. لباس های فراخ. موی بلند و زینت آلات ممکن است در قسمت های درحال چرخش دستگاه گیر کنند.
- خ) در صورتیکه می توانید وسایل مکش گرد و غبار و یا وسیله جذب زائده را به دستگاه نصب کنید. باید مطمئن شوید که این وسایل نصب و درست استفاده می شوند. استفاده از وسایل مکش گرد و غبار مصونیت شما را در برابر گرد و غبار زیاد تر می کند.
- د) اجازه ندهید آشنایی و تسلط حاصل از استفاده مکرر از ابزارها باعث شود احساس نیاز به رعایت قواعد نکرده و به قوانین ایمنی ابزار بی توجهی کنید یک عمل از روی بی دقتی می تواند در کسری از ثانیه موجب جراحات شدید شود
- ۴) استفاده صحیح از ابزار الکتریکی و مراقبت از آن  
ا) وارد کردن فشار زیاد روی دستگاه خود داری کنید. برای هر کاری. از ابزار الکتریکی مناسب با آن استفاده کنید. بکار گرفتن ابزار الکتریکی مناسب باعث می شود که بتوانید از توان دستگاه بهتر و با اطمینان بیشتر استفاده کنید.
- ب) در صورت ایراد در کلید قطع و وصل ابزار برقی. از دستگاه استفاده نکنید. ابزار الکتریکی که نمی توان آنها را تعویض و وصل کرد. خطرناک بوده و باید تعمیر شوند.
- ت) قبل از تنظیم ابزار الکتریکی قطع و وصل شدن متعلقات و یا کنار گذاشتن آن. دوشاخه را از برق کشید و یا باتری آنرا خارج کنید. رعایت این اقدامات پیشگیری ایمنی از راه افتادن ناخواسته ابزار الکتریکی جلوگیری می کند.

- ث) ابزار الکتریکی را در صورت عدم استفاده. از دسترس کودکان دور نگهدارید. اجازه ندهید که افراد نا وارد و یا شخصی که این دفتر چه راهنما را نخوانده اند. با این دستگاه کار کنند. قرار گرفتن ابزار الکتریکی در دست افراد ناوارد و بی تجربه خطرناک است.
- ج) ابزار الکتریکی خوب مراقبت کنید. مواظب باشید که قسمت های متحرک دستگاه خوب کار کرده و گیر نکنند. همچنین دقت کنید که قطعات ابزار الکتریکی شکسته و یا آسیب دیده نباشند. قطعات آسیب دیده را قبل از شروع به کار تعمیر کنید. علت بسیاری از سوانح کاری. عدم مراقبت کامل از ابزارهای الکتریکی می باشد.
- ح) ابزار برش را نیز و تمیز نگهدارید. ابزار برشی که خوب مراقبت شده و از لبه های تیز برخوردارند. کمتر در قطعه کار گیر کرده و بهتر قابل هدایت می باشند.
- خ) ابزارهای الکتریکی. متعلقات. ابزاری که روی دستگاه نصب می شوند و غیره را مطابق دستورات این جزوه راهنما طوری به کار بگیرید که با مدل این دستگاه تناسب داشته باشند. همچنین به شرایط کاری و نوع کار توجه کنید. کاربرد ابزار برقی برای موارد کاری که برای آن در نظر گرفته نشده است. می تواند شرایط خطرناکی را منجر شود.
- د) دسته ها و سطوح دستگیره ها را خشک. تمیز و عاری از روغن و گریس نگه دارید با دسته ها و سطوح دستگیره های لیز می توان در شرایط غیرمنظره بطور ایمن با ابزار کار کرد و کنترل آنرا داشت
- ۵) سرویس  
ا) برای تعمیر ابزار الکتریکی فقط به متخصصین حرفه ای رجوع کرده و از وسایل یکدی اصل استفاده کنید. این باعث خواهد شد که ایمنی دستگاه شما تضمین گردد.

#### هشدارهای ایمنی برای چکش ها

- عمومی
- همیشه مطمئن شوید که ولتاژ ورودی دستگاه برابر ولتاژی باشد که روی پلاک دستگاه نوشته شده است (ابزارهایی که ولتاژ ورودی آنها ۲۳۰ یا ۲۴۰ ولت مشخص شده است می توانند با برق ۲۲۰ ولت هم کار کنند)
  - افراد کمتر از ۱۶ سال نباید با این دستگاه کار کنند
  - با موادی حاوی آزبست کار نکنید (آزبست سرطان زا است)
  - وقتی که سیم برق ابزار آسیب دیده هرگز از آن استفاده نکنید و از یک فرد متخصص بخواهید آنرا برای شما عوض کند
  - قبل از هرگونه تنظیم یا تعویض کردن لوازم و ملحقه‌تعلقات حتماً باید سیم برق دستگاه را از پریز کشید
- متعلقات
- SKIL در صورتی که از متعلقات اصلی استفاده کنید عملکرد بدون مشکل ابزار را تضمین می نماید
  - متعلقات باید فقط با سرعت های چرخش مجاز که معادل بالاترین سرعت بدون بار ابزار هستند به کار برده شوند
- پیش از استفاده
- سیم های رابط برق باید کاملاً باز شده و ایمن باشند. از سیم هایی با رده بندی ۱۶ آمپر
  - پیچ ها. میخ ها و سایر اجزا دیگر می توانند به قطعه کاری شما آسیب بزنند؛ بنابراین پیش از شروع کار آنها را بردارید
  - قطعه کاری را محکم کنید (اگر قطعه کاری را با گیره های چغاری یا گیره های رومیزی ثابت کنید بسیار مطمئن تر از گرفتن آن با دست خواهد بود)
  - برای پیدا کردن سیم و لوله های پنهان از دستگاه های متحرک مناسب استفاده کرده یا با شرکت های آب و برق و گاز محلی تماس گرفته و از آنها کمک بخواهید (تاس با سیم های برق موجب آتش سوزی و برق گرفتگی می شود؛ آسیب رساندن به لوله های گاز سبب انفجار می شود؛ سوراخ کردن لوله های آب یا ساختمان آسیب رسانده و موجب خطر برق گرفتگی می شود)
  - گرد و خاکی که از موادی مانند رنگ های حاوی سرب. برخی گونه های چوب. مواد معدنی و فلزات بلند می شود می تواند خطرناک باشد (تاس با این گرد و خاکها می و یا تنفس آنها می تواند در کاربران ابزار یا افراد نزدیک به محل کار واکنش های حساسیتی ویا بیماری های تنفسی ایجاد کند؛ یک ماسک مخصوص گرد و خاک بزنید و در صورت امکان از یک وسیله مکش گرد و خاک استفاده کنید
  - برخی از گرد و خاکها (مانند گرد و خاکی که از چوب بلوط یا راش بلند می شود) علی الخصوص در مجاورت افزودنی های مخصوص چوب. سرطان زا هستند؛ یکی ماسک مخصوص گرد و خاک بزنید و در صورت امکان از یک وسیله مکش گرد و خاک استفاده کنید

- قیاض الأمان
- إذا تعرض الملحق للانحسار، فستتم مقاطعة التدوير إلى محور الدوران (ما يتسبب في حدوث ضوضاء):
- قم بإيقاف تشغيل الأداة على الفور؛
- قم بإزالة الملحق المنحسر؛
- قم بتشغيل الأداة مرة أخرى؛
- ضبط عمق الثقب (11)
- إمساك الأداة وتوجيهها (12)
- **! أثناء العمل. امسك الأداة دائماً من منطقة (مناطق) المقبض رمادية اللون:**
- قم دائماً باستخدام مقبض مساعد ل (يمكن ضبطه كما هو موضح)؛
- حافظ على فتحات التهوية غير مغطاة؛
- لا تضغط بشدة على الأداة. بل اتركها تقوم بالعمل من أجلك؛

## توصيات الاستخدام

- استخدام السنون الملائمة (18)
- **! استخدم فقط لقم/أزاميل حادة**
- عند ثقب معادن حديدية
- عند الحاجة لثقب فتحة كبيرة، قم بعمل ثقب خضيري لفتحة صغيرة
- قم بتزييل سن الثقب من حين لآخر بالزيت
- عند ربط برغي في/بالقرب من طرف مقطع عرضي أو حافة قطع خشبية يجب عمل ثقب خضيري لفتحة. تفادياً لحدوث تشقق بالخشب.
- ثقب بدون تشطفي في الخشب (2)
- ثقب بدون غبار في الجدران (18)
- ثقب بدون غبار في الأسقف (11)
- ثقب في البلاط بدون انزلاق (11)
- لزيد من التفاصيل زر موقعنا [www.skil.com](http://www.skil.com)

## الصيانة / الخدمة

- لم يتم تصميم هذه الأداة للاستخدام الاحترافي؛
- احرص دائماً على نظافة الأداة والسلك (وخصوصاً فتحات التهوية K (4))؛
- **! أفضل القابض قبل التنظيف**
- إذا تعذر تشغيل الأداة على الرغم من الحذر الشديد في إجراءات التصنيع والاختبار، فيجب القيام بالإصلاحات بواسطة مركز خدمة ما بعد البيع لأدوات الطاقة التابع لشركة SKIL.
- قم بإرسال الأداة دون تفكيكها بالإضافة إلى إثبات الشراء إلى البائع أو أقرب محطة خدمة (SKIL التعاونيون بالإضافة إلى مخطط الخدمة متاحان على [www.skil.com](http://www.skil.com))

## البيئة المحيطة

- لا تتخلص من الأدوات الكهربائية والملحقات ومواد التغليف مع النفايات المنزلية (لدول الاتحاد الأوروبي فقط):
- وفقاً للتوجيه الأوروبي 2012/19/EC حول نفايات المعدات الكهربائية والإلكترونية وتطبيقه بالتوافق مع القانون المحلي، يجب جمع الأدوات الكهربائية منتهية الصلاحية بشكل منفصل وإرسالها إلى أحد منشآت إعادة التصنيع المتوافقة مع البيئة؛
- سيذكرك الرمز (4) بهذا عند الحاجة إلى التخلص من أية أداة؛

## الضوضاء / الاهتزاز

- عند القياس بالتوافق مع EN 10745 يكون مستوى ضغط صوت هذه الأداة هو 91,0 ديسيبل (أ) ومستوى طاقة الصوت 10,2 ديسيبل (أ) (الانحراف المعياري 3؛ ديسيبل)، والاهتزاز \* (مجموع الاتجاهات بثلاثة، K غير مؤكد 1,5 = م/ث<sup>2</sup>)
- \* عند الثقب الصدمي للخرسانة 12,3 م/ث<sup>2</sup>
- \* عند النحت 10,9 م/ث<sup>2</sup>
- تم قياس مستوى الاهتزازات بالتوافق مع الاختبار المعياري المحدد في EN 10745: يمكن استخدامه لمقارنة أداة بأداة أخرى وكتقييم تعميدي للتعرض للاهتزاز عند استخدام الأداة في التطبيقات الموضحة:
- قد يؤدي استخدام الأداة في تطبيقات مختلفة أو مع ملحقات مختلفة أو ذات صيانة يديئة إلى زيادة مستوى التعرض بصورة كبيرة؛
- إن الفترة الزمنية التي يتم خلالها إيقاف تشغيل الأداة أو عندما تكون قيد التشغيل لكنها لا تؤدي أية مهام، تؤدي إلى تقليل مستوى التعرض بصورة كبيرة؛

**! قم بحماية نفسك من تأثيرات الاهتزاز من خلال صيانة الأداة وملحقاتها، واحفاظ على يديك دافئتين وتنظيم أحمال العمل لديك:**



## چکش

### مقدمه

- این ابزار برای دریل کاری ضربه ای در بتن، آجر و سنگ و نیز قلم کاری سبک طراحی شده است؛ برای دریل کاری چوب، فلزات و پلاستیک و نیز پیچ کاری باید از ابزارهای مخصوص آن کارها استفاده کرد
- سیستم چکش این ابزار در دریل کاری بتن بسیار بهتر از دریل های ضربه ای عادی عمل می کند
- این ابزار برای مسافرت حرفه ای مناسب نیست
- این ابزار برای استفاده با کلیه متعلقات استاندارد SDS+ طراحی شده است
- لطفاً این دفترچه راهنما را مطالعه کرده و نگهدارید (1)

### اطلاعات فنی (1)

\* قدرت هر ضربه مطابق استاندارد EN 60720-2/2009

### اجزای ابزار (5)

- A کلید روشن/خاموش و کنترل دور
- B چرخ کنترل حداکثر دور
- C ضامن قفل کننده
- D اهرم تغییر جهت چرخش
- E کلید انتخاب حالت کاری
- F دکمه باز کننده
- G ماسوره قفلی
- H تبدیل + سه نظام 13 میلیمتری
- J دسته کمکی
- K شیارهای تهویه
- L عمق سنج

### ایمنی

راهنمایی های ایمنی عمومی برای ابزارهای الکتریکی

**! تمامی هشدارهای ایمنی، دستورالعمل ها، تصاویر و مشخصات فنی ارائه شده همراه با این ابزار الکتریکی را مطالعه کنید.** در صورت عدم رعایت تمام دستورالعمل های زیر خطر برق گرفتگی، آتش سوزی و/یا بروز جراحت شدید وجود خواهد داشت.

**همه هشدارها و راهنمایی ها را برای استفاده آتی نگهداری کنید.**

در این هشدارها عبارت «ابزار الکتریکی» به معنی ابزارهای الکتریکی فاقد باتری (با سیم برق) و یا ابزارهای الکتریکی باتری دار (شارژی) است.

#### 1) ایمنی محل کار

- (ا) محل کار خود را تمیز مرتب و مجهز به نور کافی نگهدارید. محیط کار نامرتب و کم نور میتواند باعث سوانح کاری شود.
- (ب) با ابزار الکتریکی در محیط هایی که در آن خطر انفجار وجود داشته و حاوی مایعات، گازها و غبارهای متحرقة باشد، کار نکنید. ابزارهای الکتریکی جرقه هایی ایجاد می کنند که می توانند باعث آتش گرفتن گرد و بخار های موجود در هوا شوند.
- (ت) هنگام کار با ابزار الکتریکی، کودکان و سایر افراد را از دستگاه دور نگهدارید. در صورتیکه حواس شما پرت شود، ممکن است کنترل دستگاه از دست شما خارج شود.

#### 2) ایمنی الکتریکی

- (ا) دوشاخه ابزار الکتریکی باید با پریز برق تناسب داشته باشد. هیچگونه تغییری در دوشاخه ندهید. مبدل دوشاخه نباید همراه با ابزار الکتریکی دارای اتصال به زمین (ارت شده) استفاده شود. مبدل دوشاخه نباید همراه با ابزار الکتریکی دارای اتصال به زمین (ارت شده) استفاده شود.

د) احرص على جفاف المقابض وأسطح الإمساك ونظافتهما وخلوها من الزيت والشحوم؛ لا تسمح المقابض وأسطح الإمساك الرطبة بالاستخدام والتحكم الآمن في الأداة في الحالات غير المتوقعة.

هـ) الخدمة

ا) اسمح بتصليح عندك الكهربائية فقط من قبل المتخصصين فقط باستعمال قطع الغيار الأصلية. يؤمن ذلك المحافظة على أمان الجهاز.

#### تعليمات السلامة للمطابق

#### معلومات عامة

- تأكد دائماً من أن الفولت المزود هو نفسه المشار إليه على اللوحة الخاصة بالأداة (يمكن كذلك توصيل الأدوات ذات التصنيف ٢٣٠ فولت أو ٢٤٠ فولت بمصدر إمداد ٢٢٠ فولت).
- لا يجب استخدام هذه الأداة من قبل الأشخاص الأقل من ١٦ عام.
- لا تعمل باستخدام مواد تشتمل على الأيسيتوس (يعتبر الأيسيتوس مادة مسرطنة).
- يحظر نهائياً استخدام الأداة في حالة تلف السلك. بل قم باستبداله من قبل أحد الأفراد المؤهلين.
- احرص دائماً على فصل القابس من مصدر الطاقة قبل القيام بأية عمليات ضبط أو تغيير أية ملحقات.

#### الملحقات

- تضمن SKIL التشغيل السليم للأداة فقط عند استخدام الملحقات الأصلية؛ استخدم فقط الملحقات بالسرعة المسموح بها، والتي توافق على الأقل أعلى سرعة للأداة بدون حمل.

#### قبل الاستخدام

- استخدم أسلاك عميد مفكوكة تماماً وأمنة سعة ١٦ أمبير (١٣ أمبير في بريطانيا العظمى).
- تجنب التلف الذي قد تنسب فيه البراغي والمسامير والعناصر الأخرى الموجودة في القطعة التي تعمل بها. قم بفكهم قبل بدء العمل.
- ثبت قطعة العمل الإمساك بقطعة عمل مثبتة بأجهزة تثبيت أو في ملزمة أكثر أمناً من مسكها باليد؛
- استخدم كاشفاته ملائمة للعثور على خط المرافق أو اطلب شركة المرافق المحلية للحصول على مساعدة (التلامس مع خطوط إمداد الكهرباء قد يؤدي إلى حدوث حريق أو صدمة كهربائية؛ وتلف خط الغاز قد يؤدي إلى حدوث انفجار؛ واختراق أنابيب المياه سيتسبب في حدوث ضرر في الممتلكات أو صدمة كهربائية)؛
- الغبار الناتج من المواد كالطلاء الذي يحتوي على رصاص وبعض أنواع الأختشاب والعدان والمكومات المعدنية قد يكون ضاراً (صلامسة أو استنشاق الغبار قد تنسب في إصابة المشغل أو من يجاوره بأمراض الحساسية وأو أمراض الجهاز التنفسي)؛
- قم بارتداء قناع للغبار مع العمل باستخدام جهاز شفط للغبار، طالما أمكن توصيله
- نمة أنواع معينة من الغبار تُصنّف على أنها مواد مسببة للسرطان (مثل غبار خشب البليوط والزان) خاصة عند استخدامها مع مواد مضافة لعلاج الخشب؛
- قم بارتداء قناع للغبار مع العمل باستخدام جهاز شفط للغبار، طالما أمكن توصيله

• التزم بالمتطلبات الوطنية الخاصة بالغبار عند العمل باستخدام المواد المطلوبة أثناء الاستخدام

• قم بارتداء واقبات أذن التعرض للضوضاء من الممكن أن يؤدي إلى فقدان حاسة السمع)

• استخدم مقبض (مقابض) مساعد، إذا كانت مزودة مع الأداة (قد يتسبب فقدان التحكم في حدوث إصابة شخصية)

• امسك بالأداة الكهربائية بواسطة أسطح إمساك معزولة وذلك عند القيام بأعمال قد تعرض لملحقات القطع من خلالها إلى التلامس مع أسلاك غير ظاهرة أو مع السلك الخاص بها (تلامس ملحقات القطع مع سلك «متصل

بالكهرباء» سيؤدي إلى «وصول التيار الكهربائي» إلى الأجزاء المعدنية المكشوفة وقد يعرض المشغل لصدمة كهربائية)

• احتفظ بالمشغل بعيداً عن الأجزاء المتحركة بالأداة؛

• في حالة حدوث خلل كهربائي أو ميكانيكي، أوقف تشغيل الأداة فوراً وافصل القابض؛

• في حالة تعرض السلك للتلف أو لقطع أثناء العمل، لا تلمس السلك وافصل القابض فوراً

• إذا تعرض سن المثقاب لانحسار غير متوقع (مسيباً رد فعل مفاجئ وخطير)، قم بإيقاف تشغيل المثقاب على الفور؛

• انبه إلى القوى الناتجة من الانحسار (خاصة عند ثقب المعدن)؛ استخدم دائماً المقبض المساعد J ⑤ واتخذ وضعية آمنة؛

#### بعد الاستخدام

- عندما تضع الأداة جانباً، أوقف تشغيل المحرك وتأكد من توقف جميع الأجزاء المتحركة بشكل تام

#### شرح الرموز الموجودة على الأداة

- ① قم بقراءة دليل الإرشادات قبل الاستخدام
- ② العزل المزود (لا يلزم سلك أرضي)
- ④ لا تتخلص من الأداة مع النفايات المنزلية؛

#### الاستخدام

- التشغيل/إيقاف التشغيل ①
- تأمين المفاتح للاستخدام المتواصل ⑦
- التحكم بالسرعة لبدء التشغيل السلس ⑧
- التحكم بالسرعة القصوى ④
- باستخدام العجلة B ④ يمكن ضبط الحد الأقصى للسرعة على نحو غير متدرج من الحد الأدنى إلى الحد الأقصى؛
- تغيير اتجاه الدوران ⑤
- في حالة عدم ضبط الأداة في الوضع الآمن/الأيسر بشكل صحيح، لا يمكن تنشيط المفاتح A؛

! لا يتم تغيير اتجاه الدوران إلا عند توقف حركة الأداة تماماً؛

#### خديد وضع التشغيل ⑩

- اضغط على الزر F لفتح قفل المفاتح E
- قم بتدوير المفاتح E إلى وضع التشغيل المطلوب حتى ينقل على نحو مطبق؛
- ! ابدأ العمل فقط عندما يكون المفاتح E مقفل؛
- ١ ثقب/طرق عادي
- ٢ ثقب عنيف
- ٣ النحت باستخدام أزميل دوار
- ٤ النحت باستخدام أزميل ثابت

! قم بتحديد وضع التشغيل فقط عند إيقاف تشغيل الأداة وفصل القابض؛

- يتم تنشيط آلية المطرقة في خلال الضغط الخفيف على الأداة عندما تلامس لقمته الثقب بقطعة العمل؛

- يمكن تحقيق أفضل نتائج ثقب بالمطرقة من خلال الضغط الخفيف على الأداة؛ لن يتحسن أداء الثقب من خلال الضغط المفرط على الأداة؛

#### النحت باستخدام الأزميل الدوار ⑫

! أوقف تشغيل الأداة وافصل القابض؛

- حدد وضع النحت «الدوار»

#### النحت باستخدام الأزميل الثابت ⑬

! أوقف تشغيل الأداة وافصل القابض؛

- حدد وضع النحت «الدوار»

- حدد الأزميل في الوضع المطلوب

- حدد وضع النحت «ثابت»

#### تغيير السنون ⑭

! قم بتنظيف الملحق SDS+ وتنشيمه قليلاً قبل إدخاله في موضعه؛

- قم بسحب جلبة القفل للخلف G وأدخل الملحق في الظرف SDS+ أثناء تدويره ودفعه حتى يستقر في موضعه؛ يتم قفل الملحق في موضعه تلقائياً؛

- قم بسحب الملحق للتحقق من قفله بشكل صحيح؛

- قم بإزالة الملحق من خلال سحب جلبة القفل للخلف G

! يتطلب ملحق SDS+ حرية الحركة والتي تتسبب في حدوث انحراف عند تفرغ حجرة الأداة؛ ومع ذلك يقوم الملحق بالتمركز تلقائياً أثناء التشغيل بدون التأثير على دقة الثقب؛

! لا تستخدم لقم/أزميل ذات ساق تالفة

- لتقّب الأختشاب والمعدن والپلاستيك بالإضافة إلى الطرق استخدم مهائبي H ⑩

- قم بتنظيف المهائبي وتنشيمه قليلاً قبل إدخاله؛

- قم بسحب جلبة القفل للخلف G وإدخال المهائبي في ظرف SDS+ أثناء تدويره ودفعه حتى يستقر في موضعه تلقائياً؛

- قم بسحب المهائبي للتحقق ما إذا تم قفله بشكل صحيح؛

- قم بضغط المفاتح E ⑤ على ثقب عادي (يتم التنشيط فقط عند إيقاف تشغيل الأداة وفصل القابض)؛

## مقدمة

- تم تصميم هذه الأداة للثقوب العنيفة في الخرسانة والطوب والحجارة كما يمكن استخدامه أيضًا في أعمال النحت الخفيفة؛ ثقوب الأخشاب والمعادن والبلاستيك وأيضا أعمال الفك يجب استخدام ملحقات خاصة؛
- يفوق أداء نظام الطرق الموجود في هذه الأداة أي مثقاب تقليدي مزود بسفافة عند ثقب الخرسانة؛
- لم يتم تصميم هذه الأداة للاستخدام الاحترافي؛
- تم تصميم هذه الأداة للاستخدام مع كافة ملحقات SDS+ العيارية؛
- اقرأ دليل التعليمات هذا واحتفظ به ①

## البيانات الفنية ①

\* قوة المطرفة المفردة حسب EPTA-Procedure - 0/2-0-9

## مكونات الأداة ⑤

- A مفتاح للتشغيل/الإيقاف والتحكم في السرعة  
B عجلة للتحكم في السرعة الفصوى  
C زر لفصل المفتاح  
D ذراع لتغيير اتجاه التشغيل;  
E مفتاح لتعديل وضع التشغيل;  
F زر فتح القفل  
G حلبة قفل;  
H مهياي + طرف ١٣ م  
J مقبض مساعد  
K فتحات التهوية  
L مقياس العمق

## أمان

## تحذيرات السلامة العامة للأداة الكهربائية

⚠ تحذير اقرأ كل تحذيرات السلامة والتعليمات والأشكال الإيضاحية والمواصفات المرفقة مع هذه الأداة الكهربائية؛ فقد يؤدي الإخفاق في الالتزام بكل التعليمات المدرجة أدناه إلى التعرض لصدمة كهربائية و/أو حريق و/أو إصابة خطيرة؛

احتفظ بكل التحذيرات للرجوع إليها في المستقبل

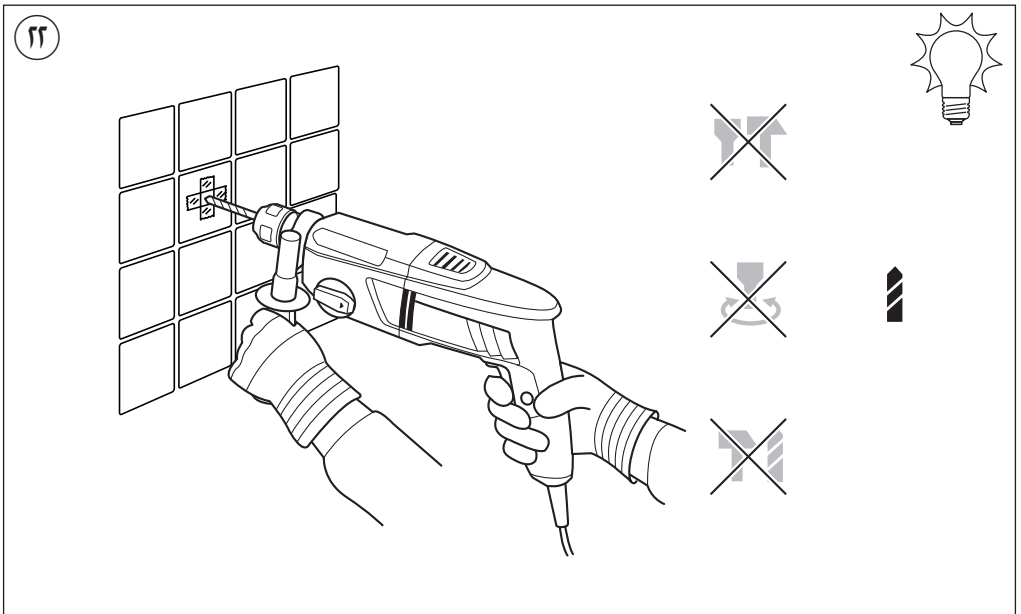
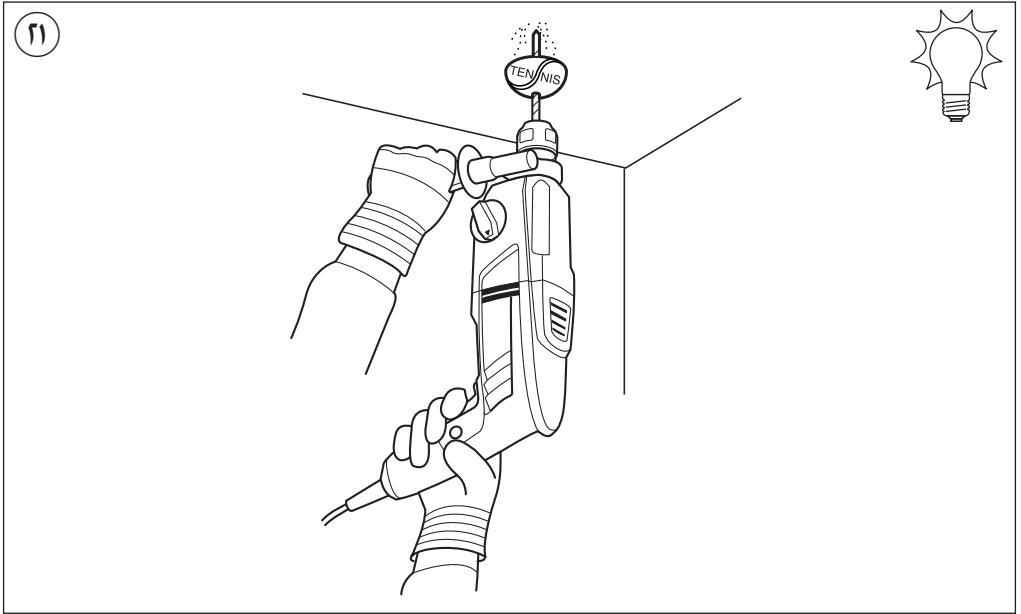
يشير المصطلح «الأداة الكهربائية» في التحذيرات إلى الأداة الكهربائية الخاصة بك التي تعمل بطاقة المأخذ الرئيسي (باستخدام سلك) أو بطاقة البطارية (بدون سلك)؛

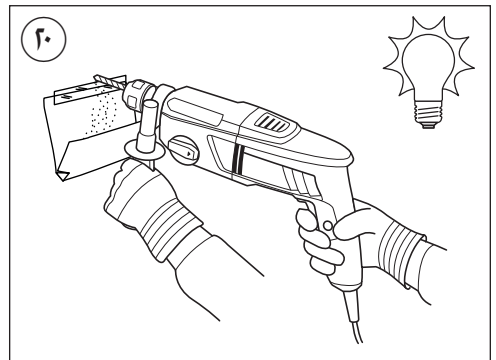
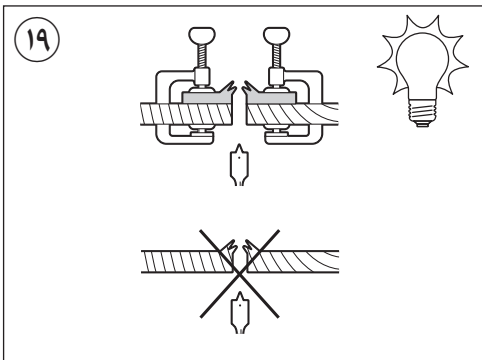
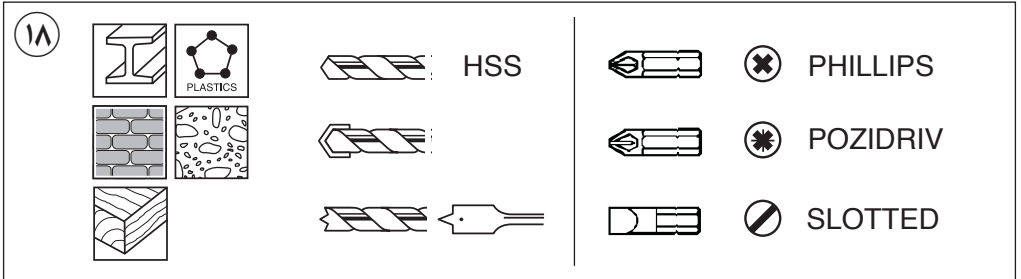
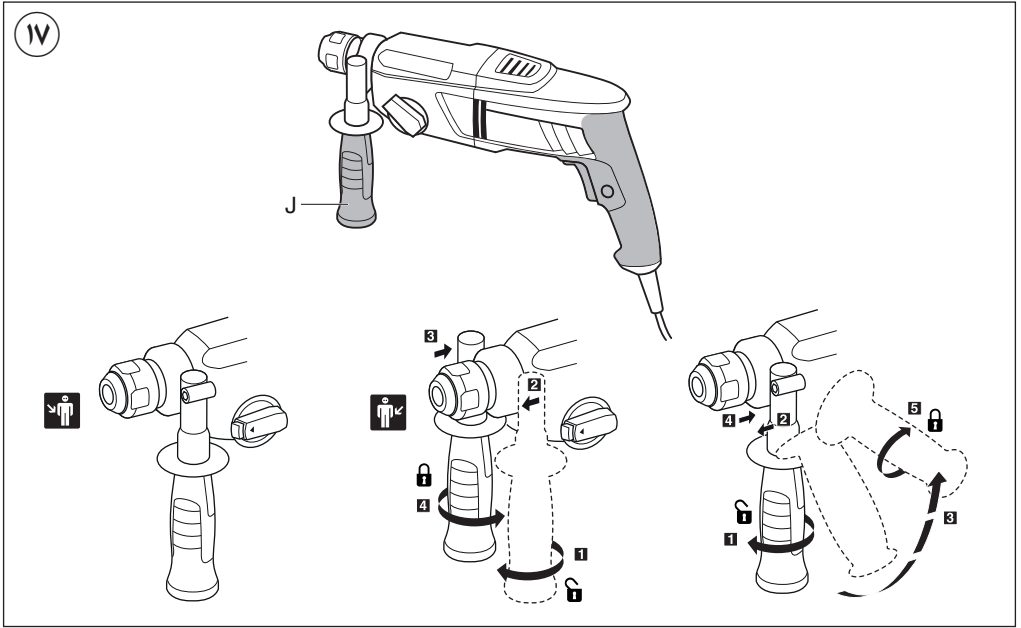
## ① الأمان بمكان الشغل

- ① حافظ على نظافة وحسن إضاءة مكان شغلك الفوضوية في مكان الشغل ومجالات العمل الغير مضادة قد تؤدي إلى حدوث الحوادث.
- ② لا تشغّل بالعدة الكهربائية في محيط معرض لخطر الانفجار والذي تتوفر فيه السوائل أو الغازات أو الأبخرة القابلة للاشتعال. العدد الكهربائية تشكل الشر الذي قد يتطاير فينبعث الأبخرة والأخيرة.
- ③ حافظ على بقاء الأطفال وغيرهم من الأشخاص على بعد عندما تستعمل الأداة الكهربائية. قد تفقد السيطرة على الجهاز عند التلهي.
- ④ الأمان الكهربائي
  - ① يجب أن يتلامس قابس وصل الأداة الكهربائية مع المقبس. لا يجوز تغيير القابس بأي حال من الأحوال. لا تستعمل القوايس المهايئة مع العدد الكهربائية المورضة ترضى وفاتني. تخضع القوايس التي لم يتم تغييرها والمقابس الملائمة من خطر الصدمات الكهربائية .
  - ② تجنب ملامسة السطوح المورضة كالأنابيب وراياتورات التدفئة والداقي أو البرادات بواسطة جسمك. يزداد خطر الصدمات الكهربائية عندما يكون جسمك موصول.
  - ③ أبعد الأداة الكهربائية عن الأمطار والرطوبة. يزداد خطر الصدمات الكهربائية إن تسرب الماء إلى داخل الأداة الكهربائية.

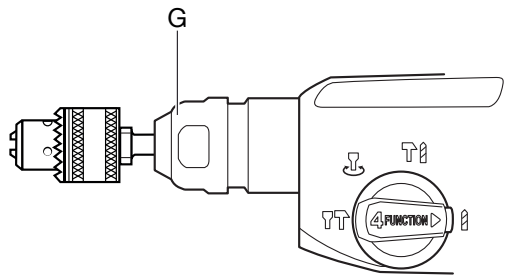
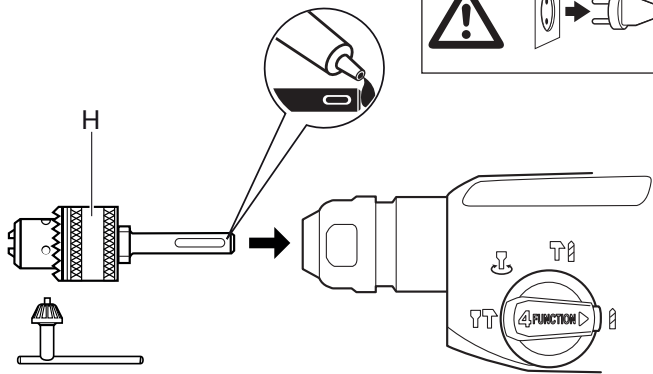
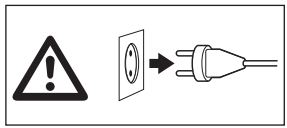
- ③ يجب عدم إساءة استخدام الكابل. لا تسن استعمال الكابل لحمل الأداة الكهربائية أو تعليقها أو لسحب القابيس من المقبس. حافظ على إبعاد الكابل عن الحرارة والزيت والحواف الحادة أو عن أجزاء الجهاز المتحركة. تزيد الكابلات التالفة أو المتشابكة من خطر الصدمات الكهربائية.
- ④ استخدم فقط كابلات التمديد الصالحة للاستعمال الخارجي أيضا عندما تشغّل بالعدة الكهربائية في الخلاء. يخضع استعمال كابل تمديد مخصص للاستعمال الخارجي من خطر الصدمات الكهربائية.
- ⑤ إن لم يكن بالإمكان عدم تشغيل الأداة الكهربائية في الأجواء الرطبة. فاستخدم فقط للوقاية من التيار المتردد. إن استخدام مفتاح للوقاية من التيار المتردد يقلل خطر الصدمات الكهربائية.
- ⑥ أمان الأشخاص
  - ① كن يقظا وأنتبه إلى ما تفعله وقيم بالعمل بواسطة الأداة الكهربائية بتعقل.. لا تستخدم عدة كهربائية عندما تكون متعب أو عندما تكون تحت تأثير المخدرات أو الكحول أو الأدوية. عدم الإلتزام للحظة واحدة عند استخدام الأداة الكهربائية قد يؤدي إلى إصابة خطيرة.

- ⑦ ارتد عتاد الوقاية الخاص، وارتد دائما نظارات واقية. يجب إرتداء عتاد الوقاية الخاص. كفتاح الوقاية من الغبار وأخذية الأمان الواقية من الإنزلاق والخوذ واقية الأذنين. حسب نوع واستعمال الأداة الكهربائية. من خطر الإصابة بجروح.
- ⑧ تجنب التشغيل بشكل غير مقصود. تأكد من كون الأداة الكهربائية مطفأة قبل وصلها بإمداد التيار الكهربائي و/ أو بالمركم، وقيل رفعها أو حملها. إن كنت تضع إصبعك على المفتاح أثناء حمل الأداة الكهربائية أو إن وصلت الجهاز بالشبكة الكهربائية عندما يكون قيد التشغيل. فقد يؤدي ذلك إلى حدوث الحوادث.
- ⑨ انزع عدد الضغط أو مفتاح الربط قبل تشغيل الأداة الكهربائية. قد تؤدي الأداة أو المفتاح المتواجد في جزء دوار من الجهاز إلى الإصابة بجروح.
- ⑩ تجنب أوضاع الجسم غير الطبيعية. قف بأمان وحافظ على توازنك دائما. سيسمح لك ذلك من السيطرة على الجهاز بشكل أفضل في المواقف غير المتوقعة.
- ⑪ ارتد ملابس مناسبة. لا ترتدي الثياب الفضفاضة أو الخلي. حافظ على إبقاء الشعر والثياب والقفايزات على بعد عن أجزاء الجهاز المتحركة. قد تتشابك الثياب الفضفاضة والخلي والشعر الطويل بالأجزاء المتحركة.
- ⑫ إن جاز تركيب جهاز شفط وجميع الغبار. فتأكد من أنها موصولة و بأنه يتم استخدامها بشكل سليم. قد يقلل استخدام تجهيزات لشفط الأبخرة من المخاطر الناتجة عن الأبخرة.
- ⑬ لا تدع اعتيادك على الاستخدام المتكرر للأدوات يسمح لك بتجاهل مبادئ سلامة الأداة؛ قد يتسبب الاستخدام بدون تكرار في حدوث إصابة بالغة في غضون ثواني؛
- ⑭ حسن معاملة واستخدام العدد الكهربائية
  - ① لا تطرف في تحميل الجهاز؛ استخدم لتنفيذ أشغالك الأداة الكهربائية المخصصة لذلك. إنك تعمل بشكل أفضل وأكثر أمانا بواسطة الأداة الكهربائية الملائمة في مجال الأداء المذكور.
  - ② لا تستخدم الأداة الكهربائية إن كان مفتاح تشغيلها تالف. الأداة الكهربائية التي لم تعد تسمح بتشغيلها أو بإطافئها خطيرة ويجب أن يتم تصليحها.
  - ③ اسحب القابيس من المقبس و / أو انزع المركم قبل ضبط الجهاز وقيل إستبدال التوابع أو قبل وضع الجهاز جانباً. تمنع إجراءات الاحتياط هذه تشغيل الأداة الكهربائية بشكل غير مقصود.
  - ④ احتفظ بالعدد الكهربائية التي لا يتم استخدامها بعيدا عن متال الأطفال. لا تسمح باستخدام الأداة الكهربائية لمن لا خبرة له بها أو لمن لم يقرأ تلك التعليمات. العدد الكهربائية خطيرة إن تم استخدامها من قبل أشخاص دون خبرة.
  - ⑤ اعن بالعدة الكهربائية بشكل جيد. تفحص عما إذا كانت أجزاء الجهاز المتحركة تعمل بشكل سليم وبأنها غير مستعصبة عن الحركة أو إن كانت هناك أجزاء مكسورة أو تالفة لدرجة تؤثر فيها على حسن أداء الأداة الكهربائية. ينبغي تصليح هذه الأجزاء التالفة قبل إعادة تشغيل الجهاز. الكثير من الحوادث مصدرها العدد الكهربائية التي تم صيانتها بشكل ردي؛
  - ⑥ حافظ على إبقاء عدد القطع نظيفة وحادة. إن عدد القطع ذات حواف القطع الحادة التي تم صيانتها بعناية تنكش بشكل أقل ويمكن توجيهها بشكل أيسر.
  - ⑦ استخدم العدد الكهربائية والتوابع وعدد التشغيل وإلخ حسب هذه التعليمات تراسي أثناء ذلك شروط التشغيل والعمل المراد تنفيذه. استخدام العدد الكهربائية لغير الأشغال المخصصة لأجلها قد يؤدي إلى حدوث الحالات الخطيرة.

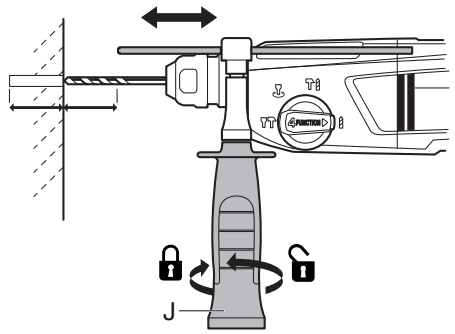


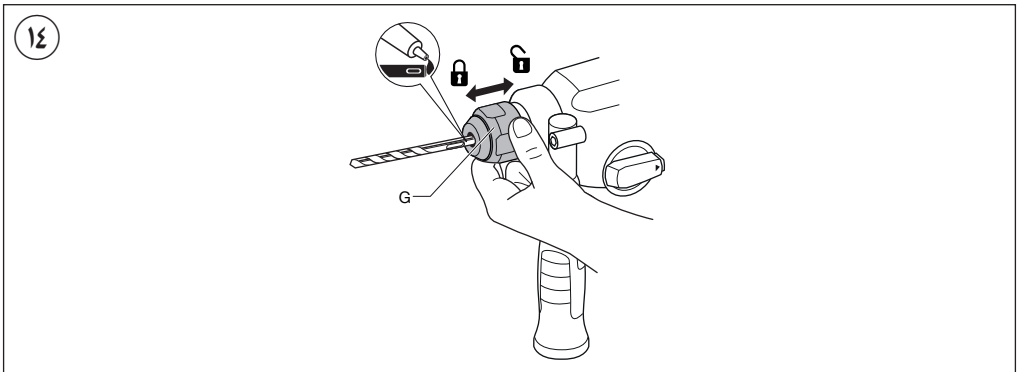
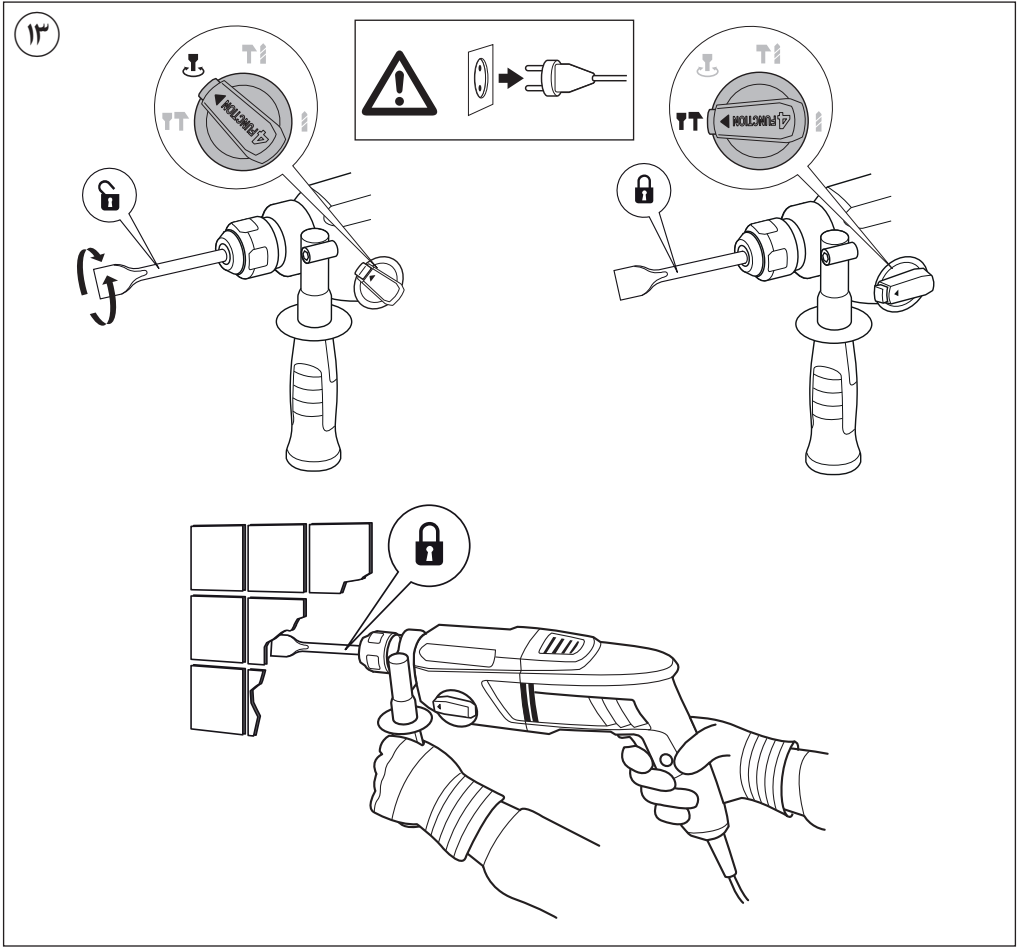


15

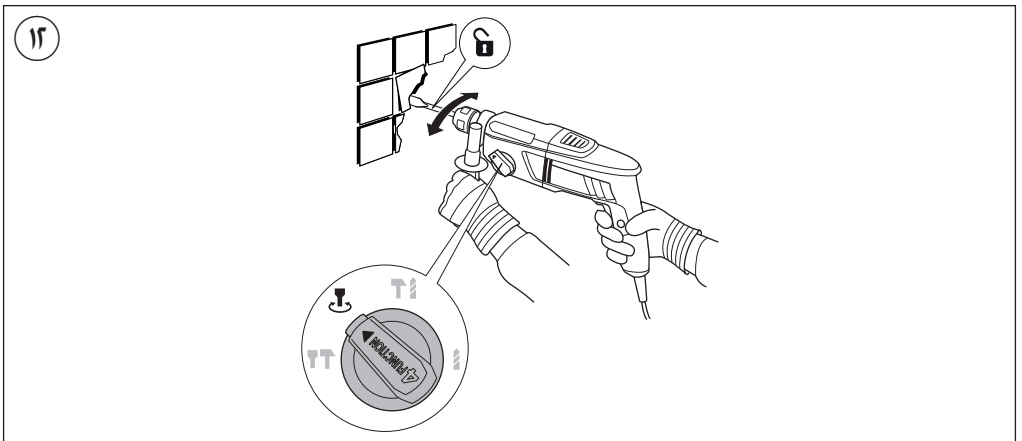
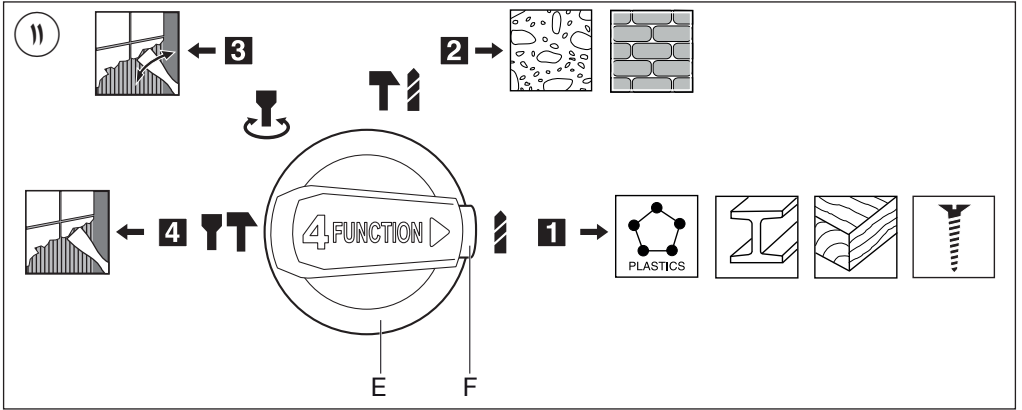
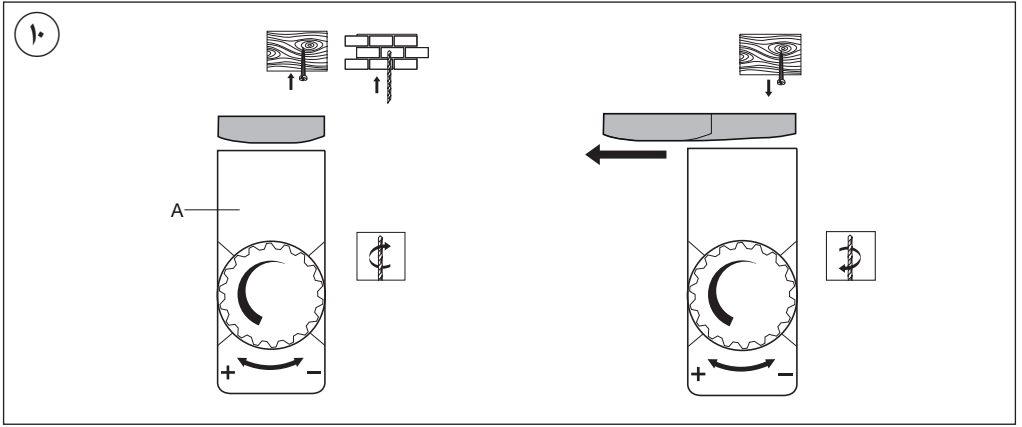


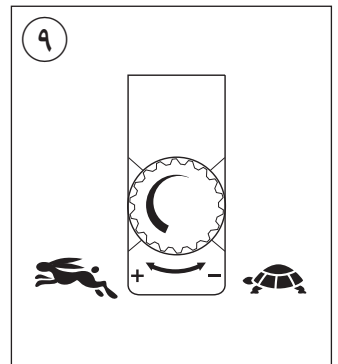
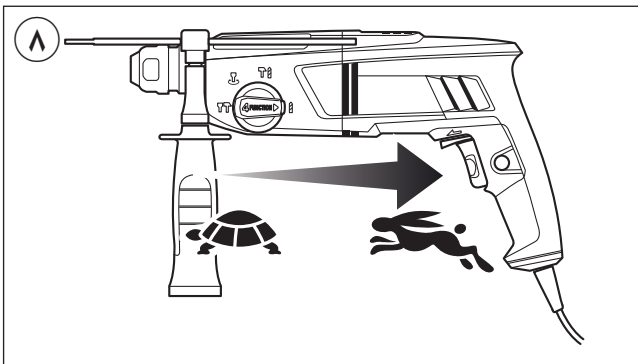
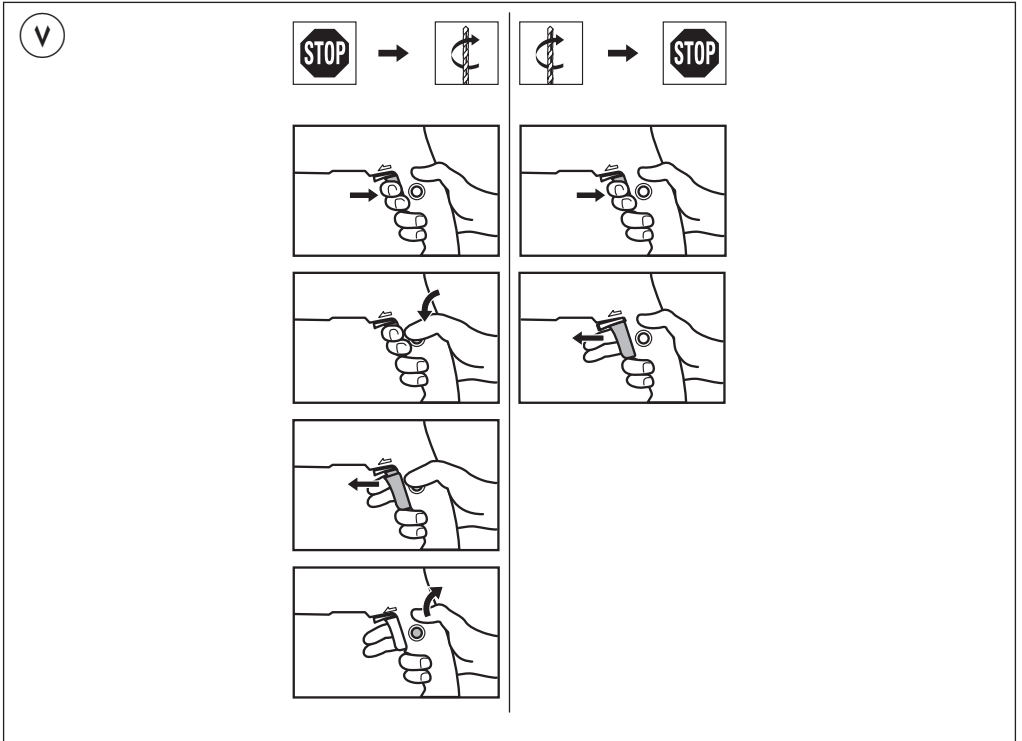
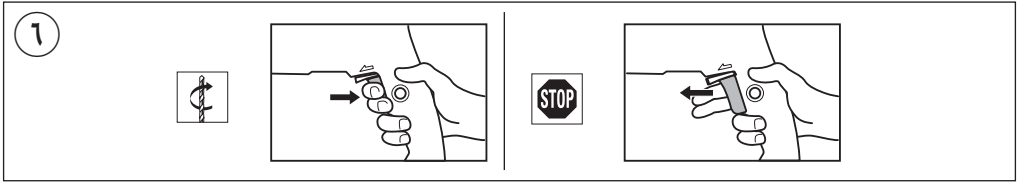
16











1

1763

1010  
Watt

3,2 kg

0-950  
/min

0-4100  
/min

2,4 J EPTA  
05/2009 \*

SDS+

Fe  
13mm

26mm

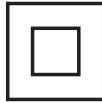
40mm

220  
-  
240  
V~  
50-60 Hz

2



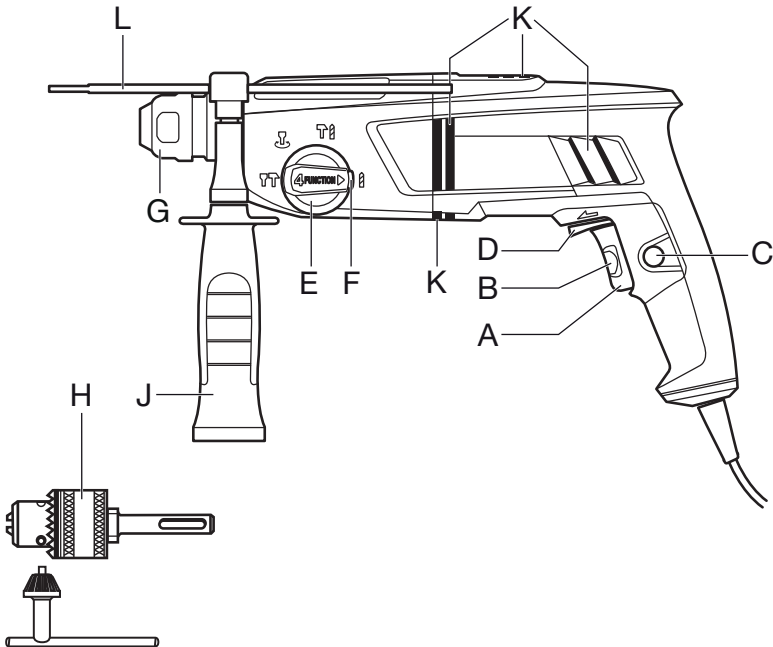
3



4



5



المطرقة  
1763

**SKIL®**



دليل الاستعمال **AR**  
راهنماي اصلي **FA**

