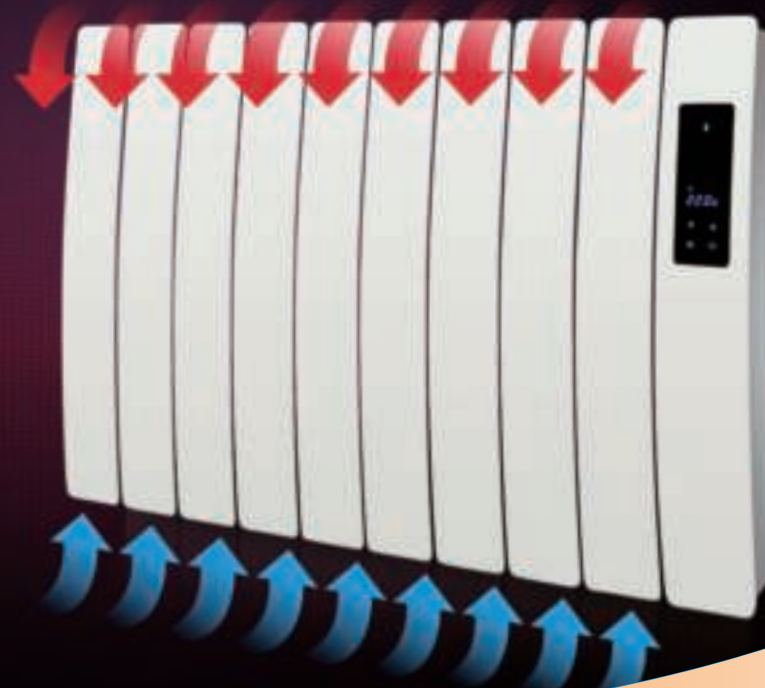


# Intelligent electric heater manual book

Sylro  
Lloydstraat 51B  
3024EA Rotterdam  
The Netherlands  
[info@sylrostore.com](mailto:info@sylrostore.com)



## Thank you for choosing Sylro electric heater

- Before operating, please carefully read over all the instructions. Do not discard this manual.
- Before switching on the power, please make sure that the power voltage is consistent with the working voltage of the electric heater.
- The electric heater not allowed to be used in places with gas or inflammable and explosive materials

### Notes:

- Please read the installation instructions before installation
- The heater has been poured with special heat conduction medium before delivery, therefore, if the heat conduction medium leaks, please contact the supplier's after-sales department, and do not open the shell for cleaning by yourself
- Do not pull the wires.
- When the heater is working, forbidden to put the power cord on the surface of the heater.
- To avoid overheating, do not cover the surface of the heater.
- To avoid child touch the keys, please open the child safe lock.
- **Warning:** If the power cord is damaged, please contact the after-sale department to replace a new one.
- When the electric heater install to the bathroom, please don't put it into shower area.
- Electric heater should not be installed under or right ahead of sockets.
- Please make sure the plug is removed from the power socket before any internal inspection of the heater.
- Disposal of abandoned heaters should comply with the relevant provisions on heat conducting oil medium.
- Electric heaters should be installed in accordance with the relevant rules, of electrical installation.
- All electric heater are installed with safety thermostat, when the heater overheating due to any reason, the thermostat will automatically cut off the power supply.
- The damage caused by the operation didn't follow the instructions is not covered by our product warranty.

## INDEX

Electric heater model No. and specification -----	1
Operation instruction of keypad-----	2
Timing setting chart -----	3
Master controller -----	4
Function description -----	5
Installation guide-----	6
Maintenance-----	7
Packing list-----	8

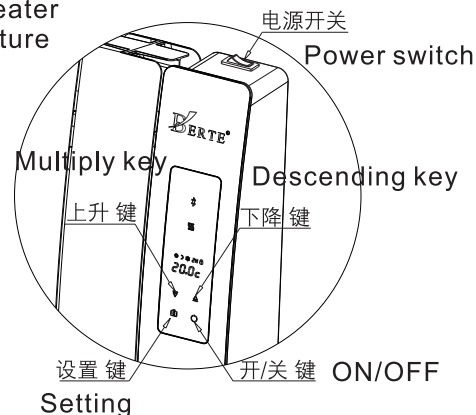
## Electric heater model No. and specification

Model	Spec	Power (W)	Voltage (V)	Socket model	Measure	Piece of radiator	NW (kg)
JDNQ5-800A		800	220	10A	485x585x100	5	11
JDNQ5-1000A		1000	220	10A	565x585x100	6	12.3
JDNQ5-1200A		1200	220	16A	645x585x100	7	13.6
JDNQ5-1600A		1600	220	16A	805x585x100	9	16.2
JDNQ5-2000A		2000	220	16A	965x585x100	11	18.8

## I Operation instruction of keypad

### 1. Keys function description(As figure 1)

- ON/OFF key: To turn on/turn down the electric heater.
- Multiply key: To set the number increased.
- Descending key: To set the number decreased.
- Setting Key: There are 5 model to chose:  
Display ☀ Comfortable mode(22 ° C), Display 🌙 Economic Model(18° C)  
Display 🌡 Outing model(6° C), 2H Model and Normal Model.
- Press Descending key + Setting key together for 3 second, screen lock, Press this 2 key together for 3 second again, screen unlock.
- Hysteresis setting :Switch on the power, long press multiply key for 5S to enter the setting for hysteresis temperature.
- Symbol: HC Hystereis temperature(When the ambient temperature rises to the set value, the heater stop heating, when the ambient temperature drops to the set temperature minus the hysteresis temperature, the heater will continue to heating)  
Hysteresis temperature setting:From 1 to 5° C,default is 2° C.
- After setting, press ON/OFF key to quit and save the current change date.



## II Master Controller

### 1. Technical specification

Item	Specification
Rated voltage	220V AC/50HZ
Heating temperature setting range	5.0 °C~32.0 °C
Default temperature	20 °C
Heating system	Automatic constant temperature
Temperature detection accuracy	±0.5 °C

### 2. Fault

Fault code	Fault type	Remark
E4	Temperature sensor over 42°C	Non-automatic recovery
EE	Short circuit of heating temperature sensor	Non-automatic recovery

#### 2.2 E4 temperature fault

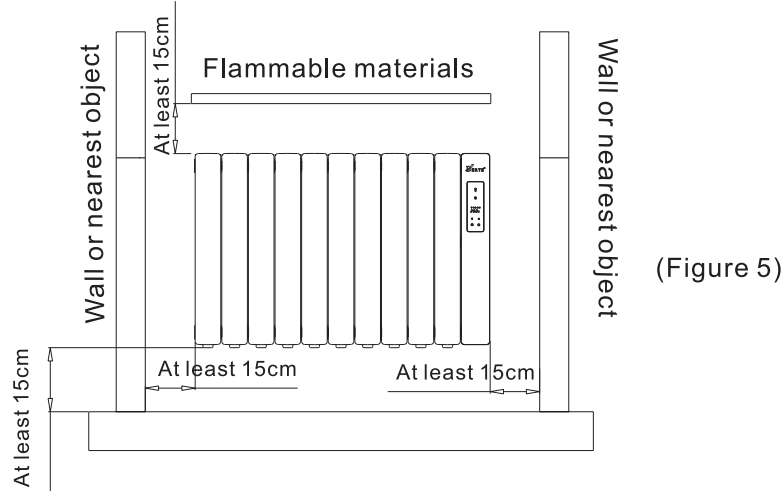
- Test the whole process of power on the system  
Temperature over 42°C , display show fault code.
- ♦ When E4 error code displayed, cut off the heating power supply, system lock in, after troubleshooting, the lock can be exited by the ON/OFF key.

#### 2.3 EE Short circuit of heating temperature sensor

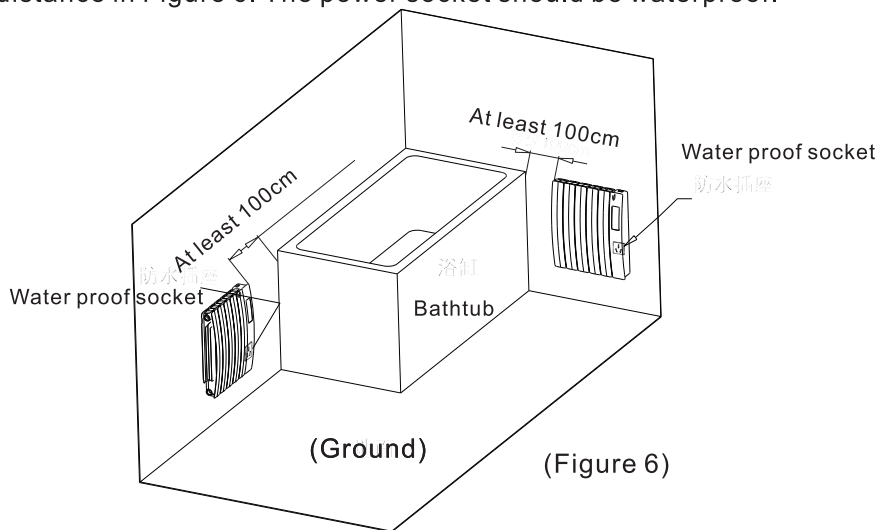
- Test the whole process of power on the system
- ♦ Heating temperature sensor is open circuit or short circuit. EE error code displayed.
- ♦ When EE error code displayed, cut off the heating power supply, system lock in, after troubleshooting, the lock can be exited by the ON/OFF key.

## Installation guide

- The heater must be installed on the solid wall. Please ensure that the heater is completely perpendicular to the ground. For your safety, please be sure to install it in the following way
- Open the box and make sure the heater is intact. Make sure there is a power outlet near the location where the heater is installed.
- In order to eliminate safety risks and ensure the heating effect, the heater should keep a distance of more than 15cm from the curtains and other flammable materials. For other safe distances, please refer to the following figure.

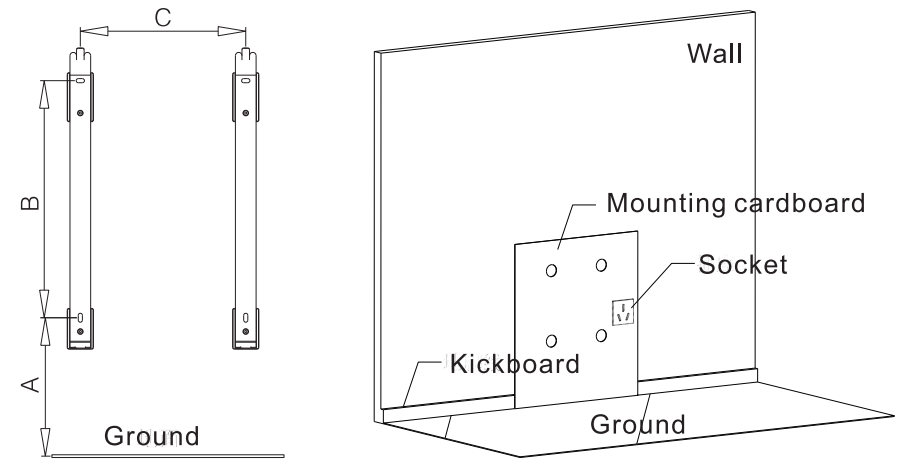


- If you need to install the heater in the bathroom, please refer to the installation distance in Figure 6. The power socket should be waterproof.



3

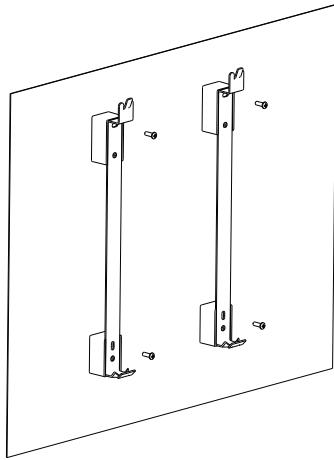
- After determining the installation location, please take out the mounting cardboard and place it upright on the floor, mark on wall according to the holes in the cardboard, drill 4 deep holes with a diameter 8 bit, gently tap the fitting kit into the 4 hours.



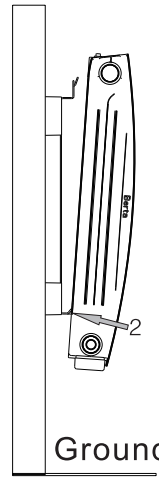
Model	A(mm)	B(mm)	C(mm)
JDNQ5-800A	320	340	240
JDNQ5-1000A	320	340	240
JDNQ5-1200A	320	340	400
JDNQ5-1600A	320	340	560
JDNQ5-2000A	320	340	560

- Use 5x5mm tapping screws to fixed the 2 support on the wall as shown in figure 8.
- Lift the heater, lean the heater to installation person, and insert the heater bottom to the wall-stand bottom. As figure 9.
- Adjust the position of heating to the center, and the heater bottom buckle into the 2 support bottom.
- Stand the heater upright, when it parallel to the wall, gently lower until the heater top buckle into the top of the support. As figure 10.

4

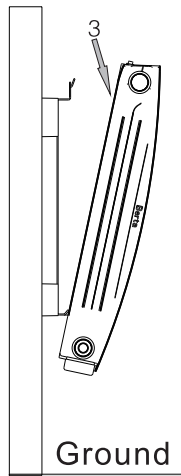


(Figure 8)

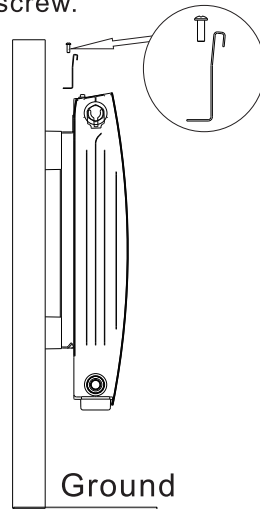


(Figure 9)

- In order to make the heater more stable installation, insert the gasket into the radiator fin and connect them with 6X15MM screw.



(Figure 10)



(Figure 11)

## Maintenance

- Don't use the corrosive liquid or abrasive particles to wipe the surface of the heater.
- Use a soft cloth to wipe the dust when the power is cut off and the heater is completely cooled.

## Packing list for this electric heater

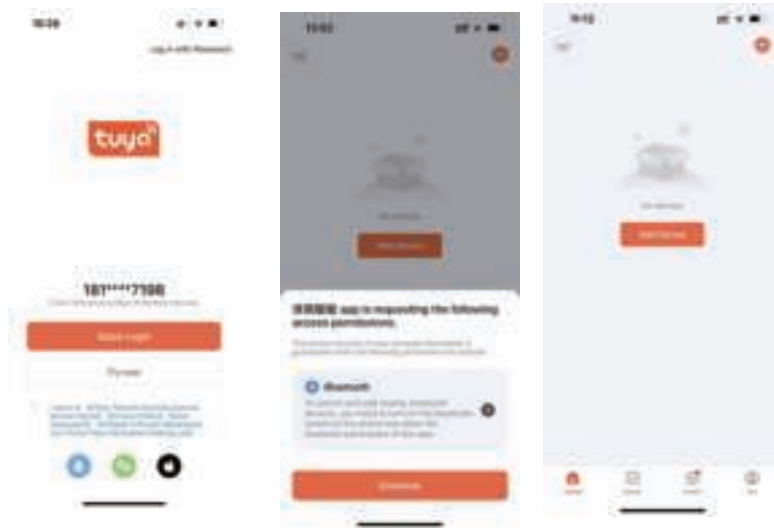
■ Electric heater	1pcs
■ Manual book	1pcs
■ Wall mounted cardboard	1pcs
■ Wall bracket	2pcs
■ Install screws and plastic expansion screws	1box
■ Gasket	2pcs

## Electric heater WIFI installation instructions:



1.1 Scan this TUYA QR code with your phone.



1.2 Operation step by step as below:

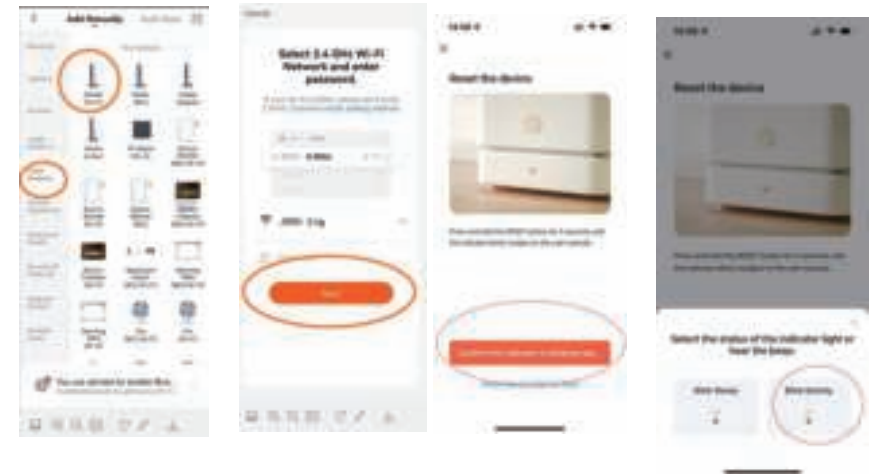


2.1. Turn on your phone's WIFI and connect it to your router

2.2. Turn on the power of electric heater,in the standby status,Press the combination "mode key"  + "down key"  at the same time in shutdown state more than 6S,After hearing the buzzer, wait for the mobile phone to find automatically.



2.3. Add device,chose the device as picture,chose the WIFI id and input password



2.4. After connection,you can use WIFI to connect electric heater with you phone.