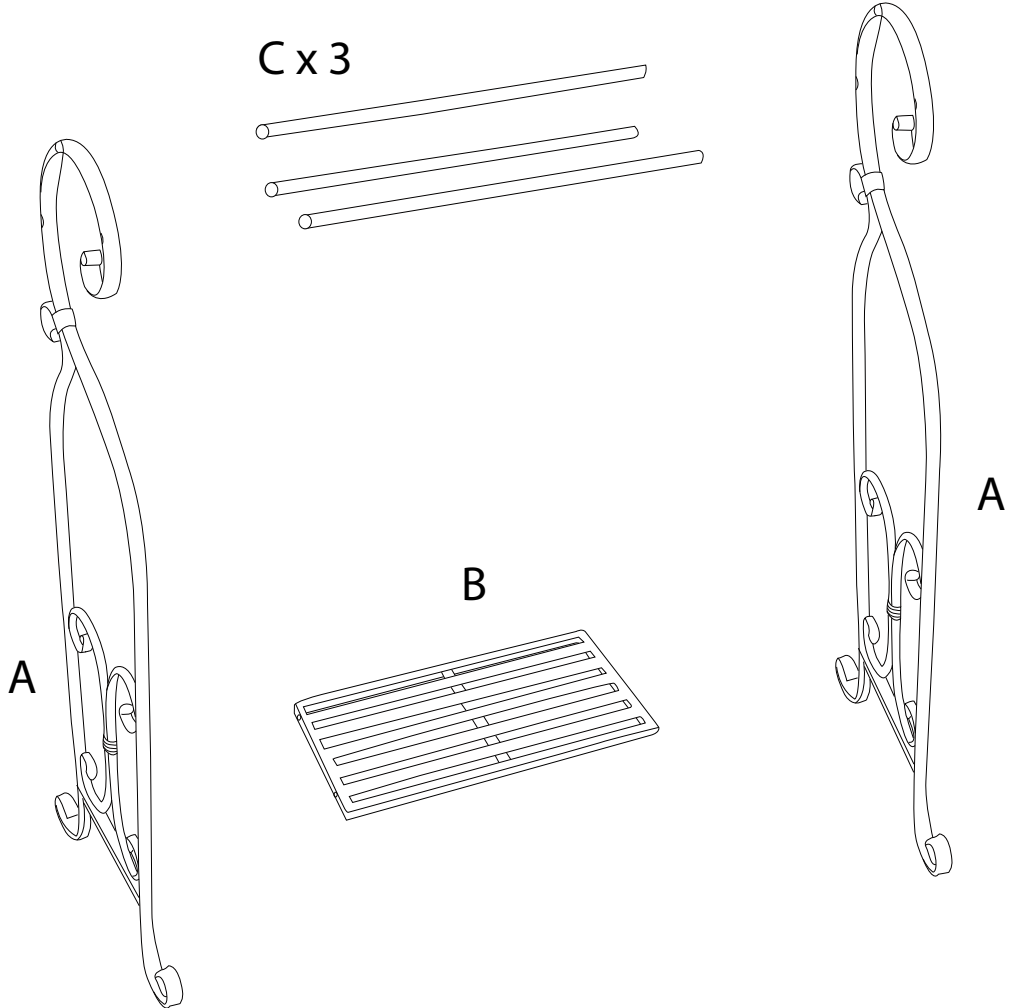
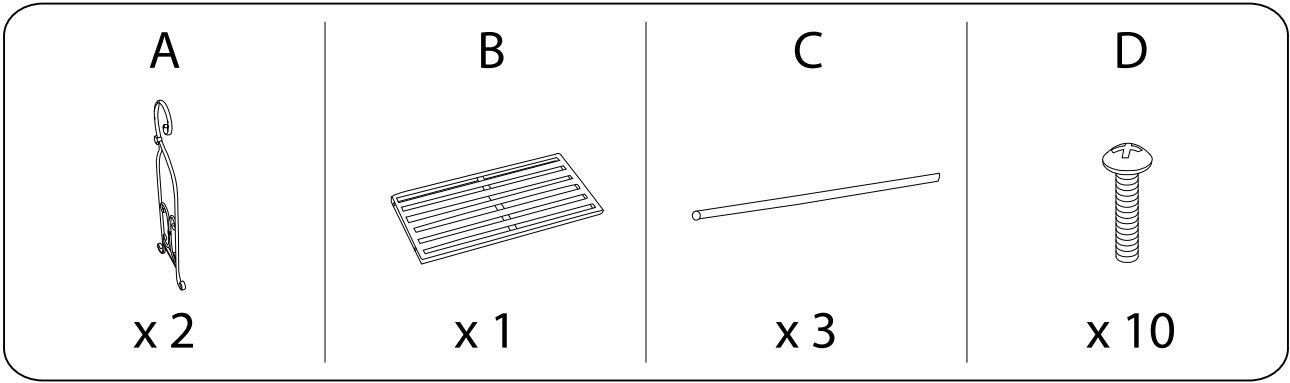


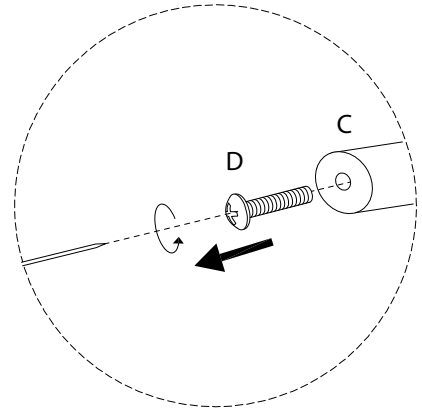
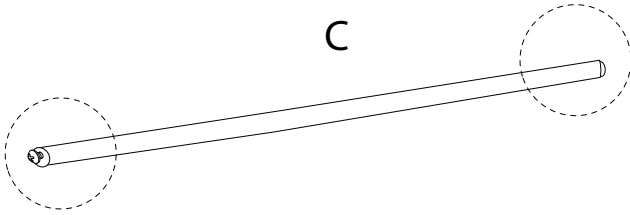
Assembly instructions for step 1/4:

- Tools:** A screwdriver is required. A power drill is not to be used.
- Time:** Estimated assembly time is 30 minutes.
- Personnel:** One person is required for assembly.

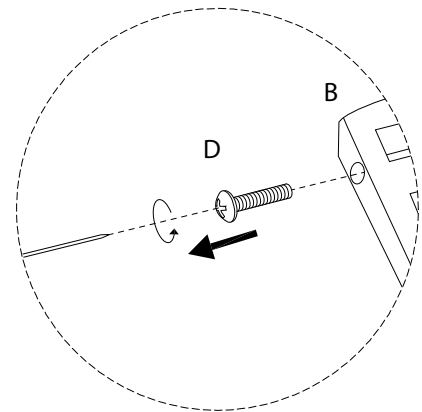
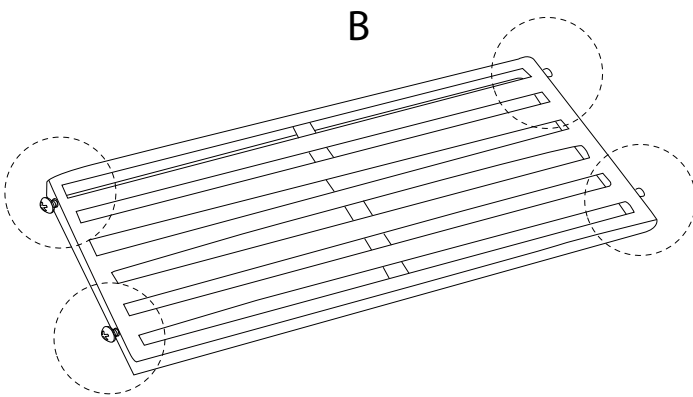
1/4



!



!



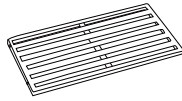
1

A



x 2

B



x 1

C



x 3

D



x 10

