



KLARSTEIN

CHAL-TEC GmbH

Wallstraße 16,
10179 Berlin, Germany
WEEE-Nr.: DE 46906833

Importer for Great Britain:
Berlin Brands Group UK Ltd
PO Box 1145
Oxford, OX1 9UW
United Kingdom

Item-Nr.: 10041900
Description: Wine Cooler

Specifications:

Voltage/ Frequency: 220-240V/50Hz

Current: 1,1A

Power: 70W

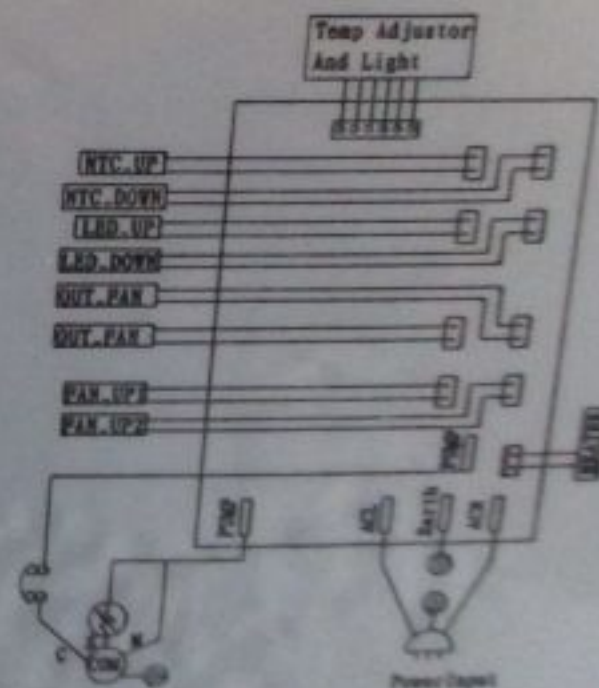
Climate Class: N,ST

Storage Volume: 153L

Refrigerant (Weight): R600a/31g

Foaming Gas: Cyclopentane

Serial number: 1004190015823070 0 4 7



Electrocircuit Line Diagram

