

INSTRUCTIES

Product Specificaties:

Model: Y8-001

USB 2.0/3.0

Stroomvoorziening: DC 5V, 1.2W

Afmetingen: 102*79*138mm

Gewicht: 259g

Lengte USB kabel: 1.6m

Materiaal: ABS/PP

Tabel:

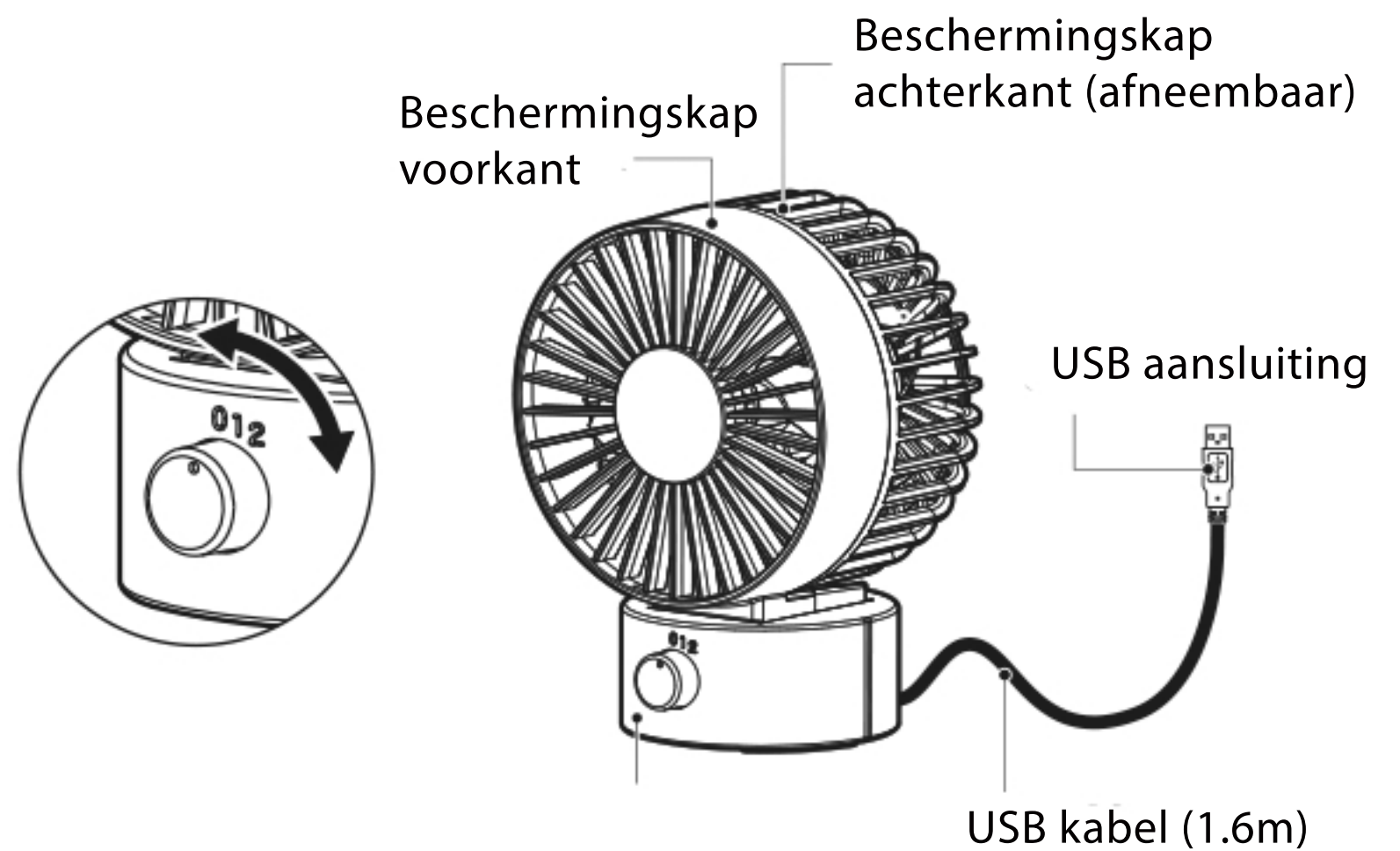
Stand Schakelaar	Spanning V	Stroom mA	Vermogen W	Lucht-verplaatsing m ³ /min	Windsnelheid m/min	Geluid dB
2 - Hoog	5	400	2.0	5.7	120	34
1 - Laag	5	180	0.9	3.8	60	26

Schakelaar

0: Uit

1: Lage snelheid

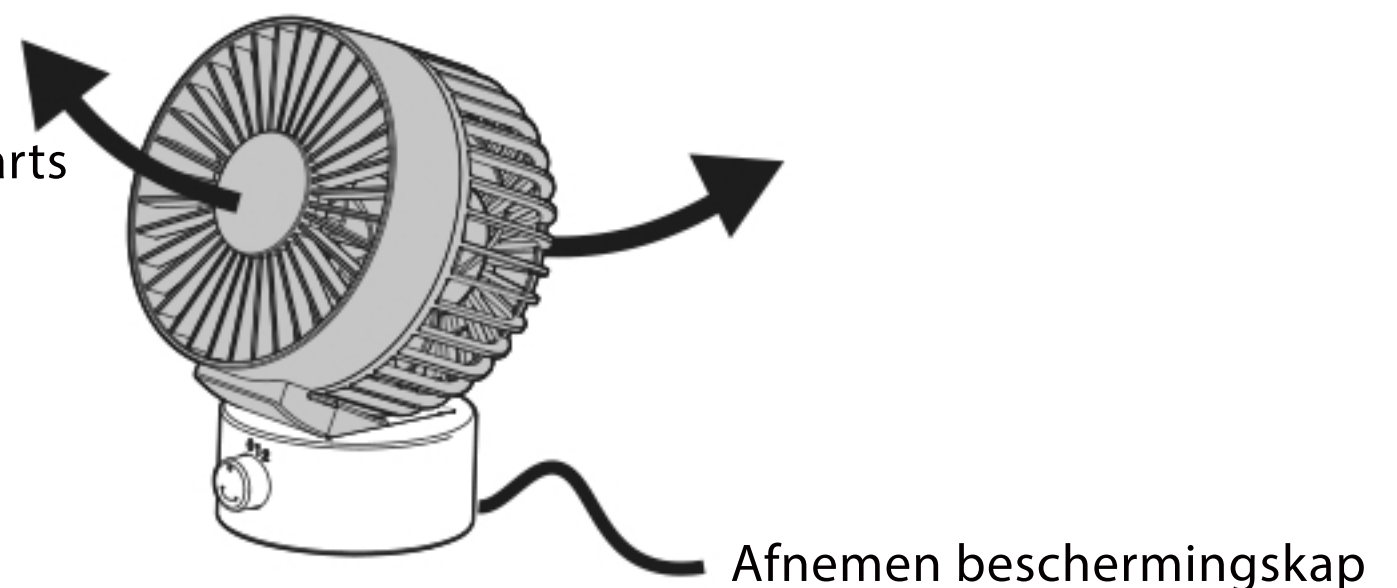
2: Hoge snelheid



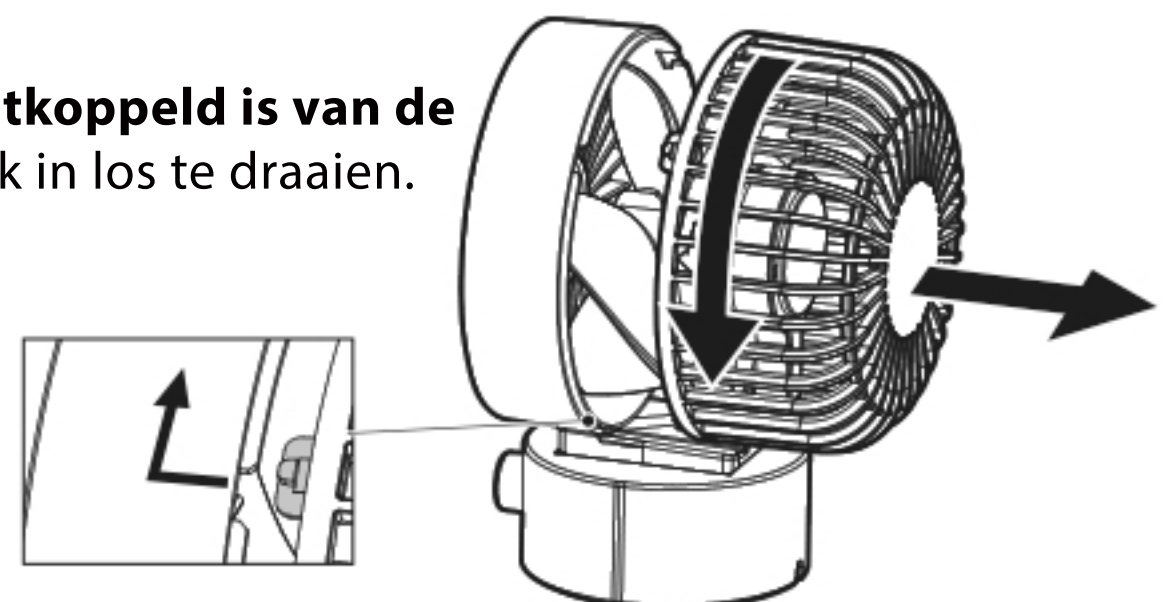
De ventilator is +- 30° kantelbaar.

Neem de basis vast en beweeg de ventilator voor of achterwaarts

*** Zet de schakelaar altijd op 0 alvorens te kantelen.**



*** Verwijder de beschermingskap alleen wanneer de ventilator ontkoppeld is van de stroomvoorziening.** Doe dit door de beschermingskap tegen de klok in los te draaien.



Instructions

Product Specifications

Model: Y8-001

Interface: USB 2.0/3.0

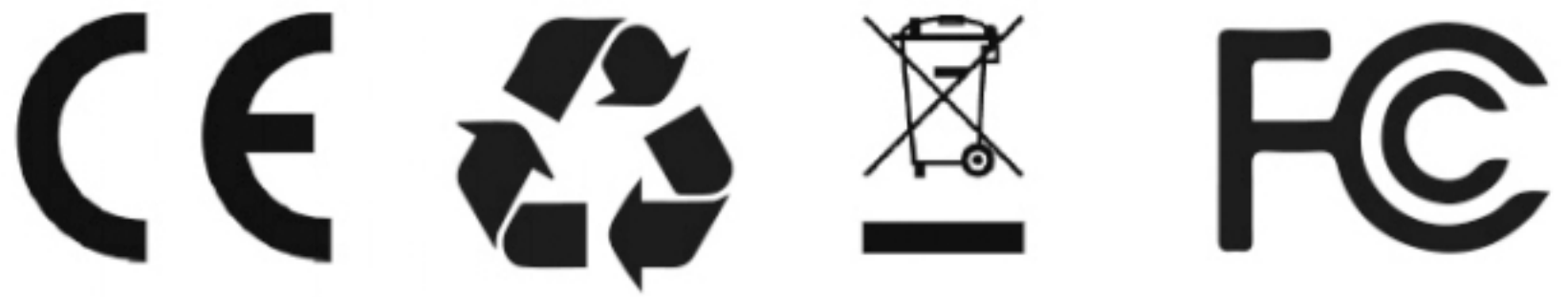
Electric power supply: DC5V 1.2W

Product size: 102*79*138mm

Weight (approximate) : 259g

Length of USB cable (approximate): 1.8M

Material: ABS/PP resin



Specification Table

Swing position	Voltage V	current mA	Wattage W	Blowing Volume m ³ /min	Blowing speed m/min	noise dB
High	5	400	2.0	5.7	120	34
Low	5	180	0.9	3.8	60	26

* Wind speed measured according to JIS (Industrial Standards) C9601 at a distance of 50cm.

* Noise measured in a soundproof room.

* USB is to be used only for supplying power to the device and not for communicating with a computer.

* For the sake of improvement, product specifications are subject to change with no advance notice.

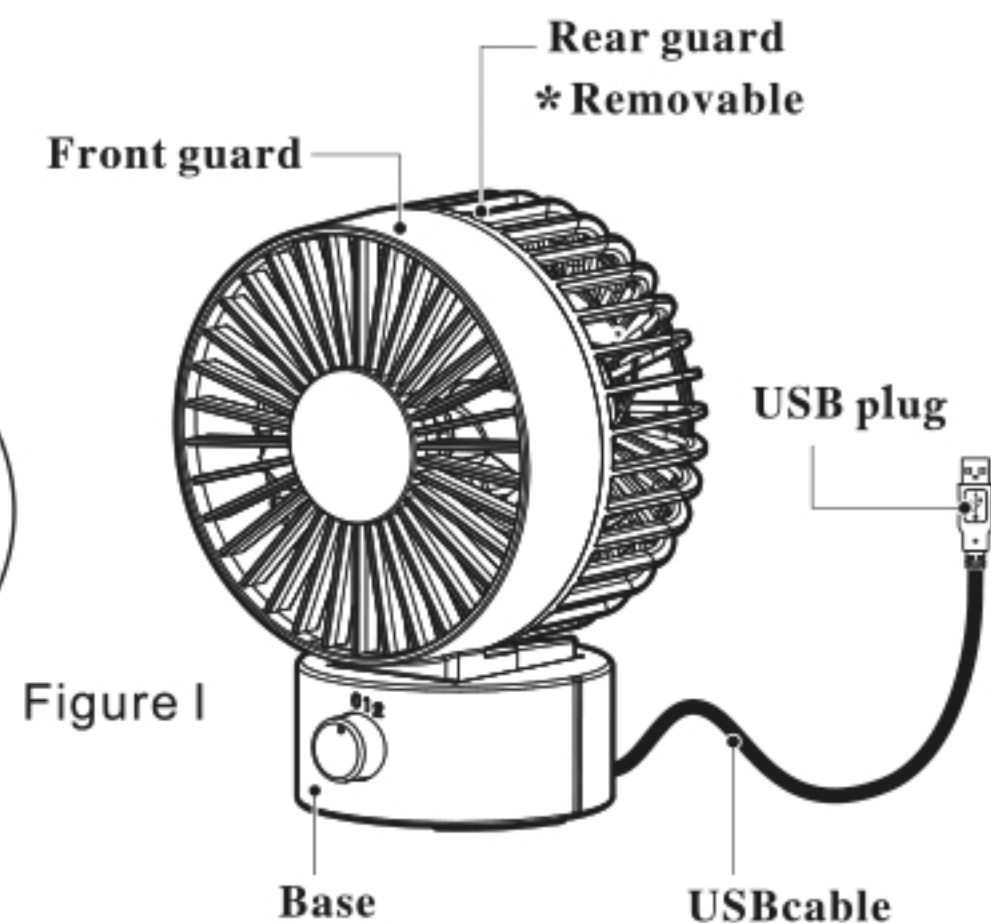
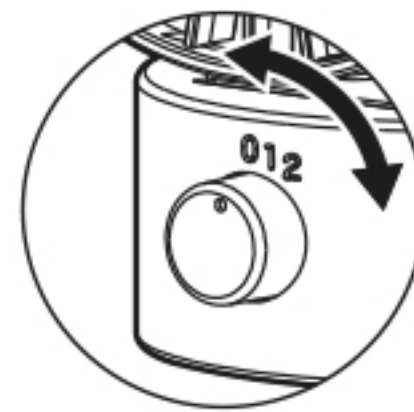
Parts: names and functions(Figure I)

Air Flow Switch:

0 : Off

1 : Low

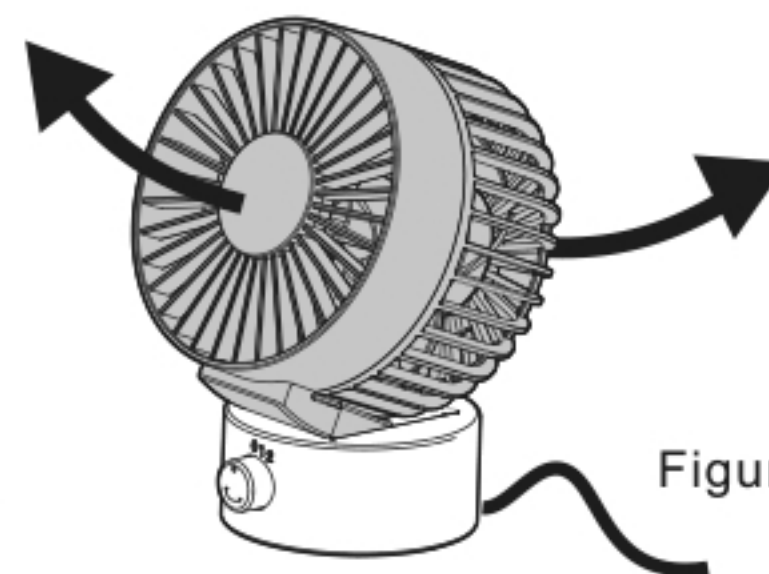
2 : High



Angular adjustment(Figure II)

You can adjust the up and down angle of the fan within a range of about 30 ° C by holdinh down the base and moving the front fan guard forward or back.

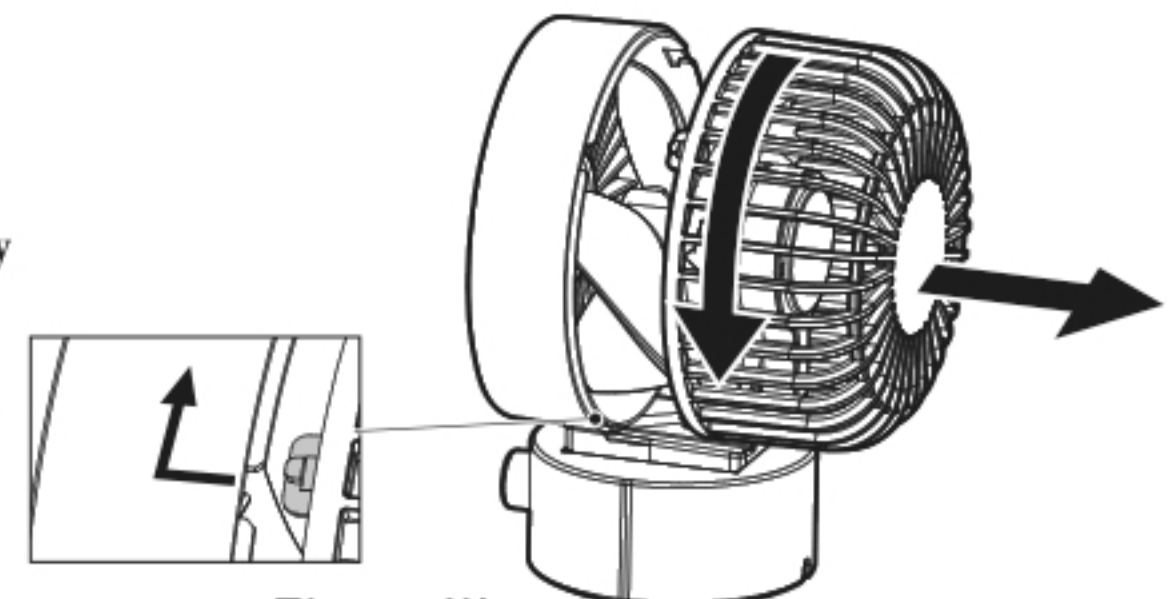
☞ Have the switch set at “0” (Off) before adjusting it .



Removing and attaching the rear fan guard(Figure III)

You can remove the fan guard on the back in order to dust the fan. Disconnect the USB plug, turn in the direction shown by the arrow, then pull back to remove.

☞ When attaching the guard, match up the notches and tabs and then twist.



Usage Guide

1.Connect USB cable.

A.Set switch at “0” (Off)

B.Insert the USB plug into the USB port of computer .When plugging in , pay attention to the position of the plug .

Forcing it in may damage or break it .

2.No electric power will be transferred from USB port if the computer is not switched on . Some computers provide electric power even when turned off.

3.You can also use an AC adapter that transforms an ordinary household electrical outlet into a USB power source .

Use an outlet with a rated power voltage of 5V and an electric current of at least 500mA.