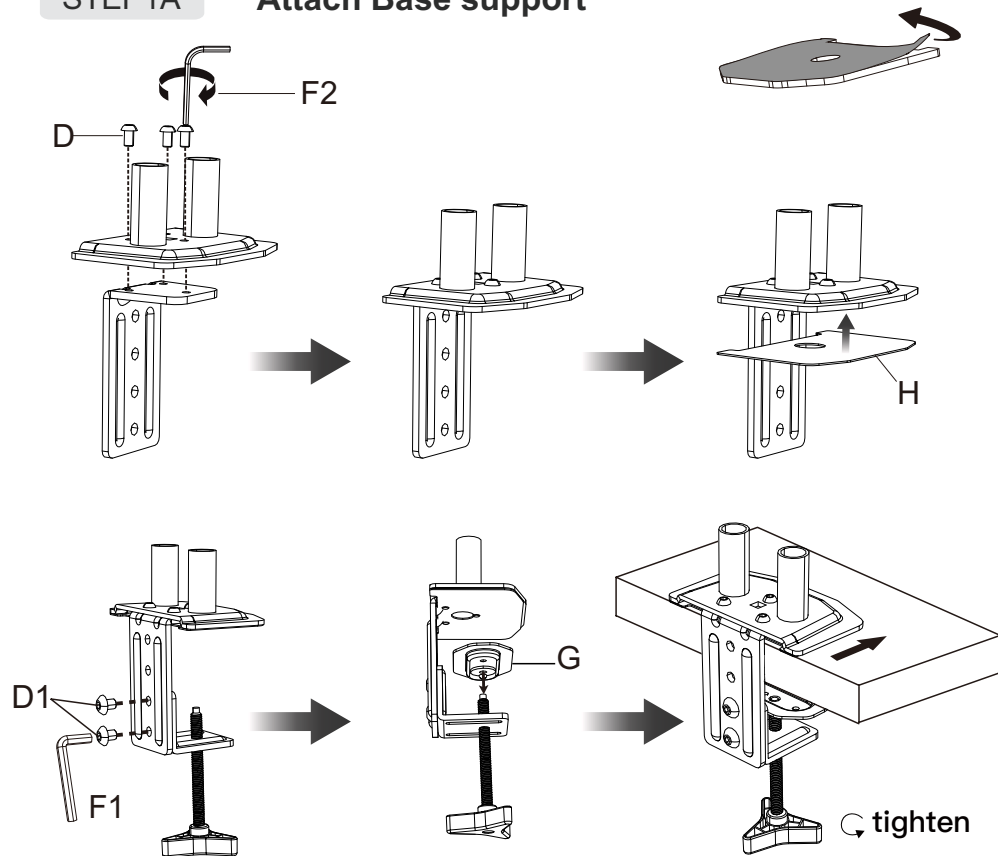
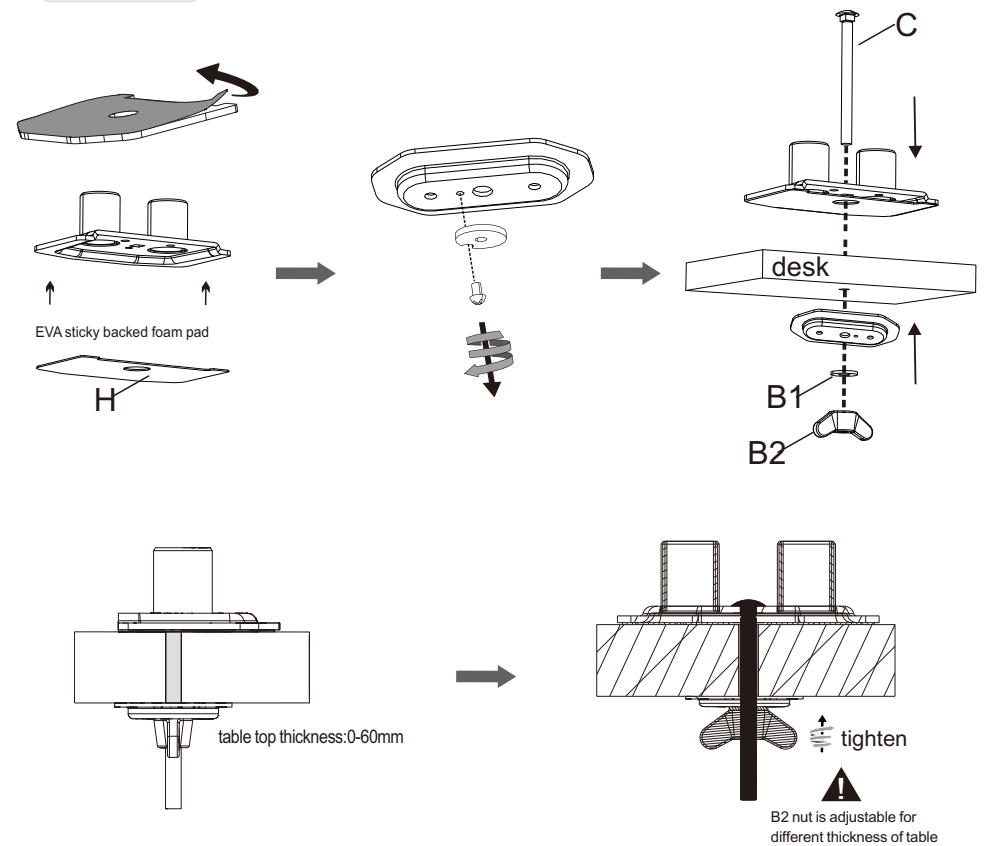


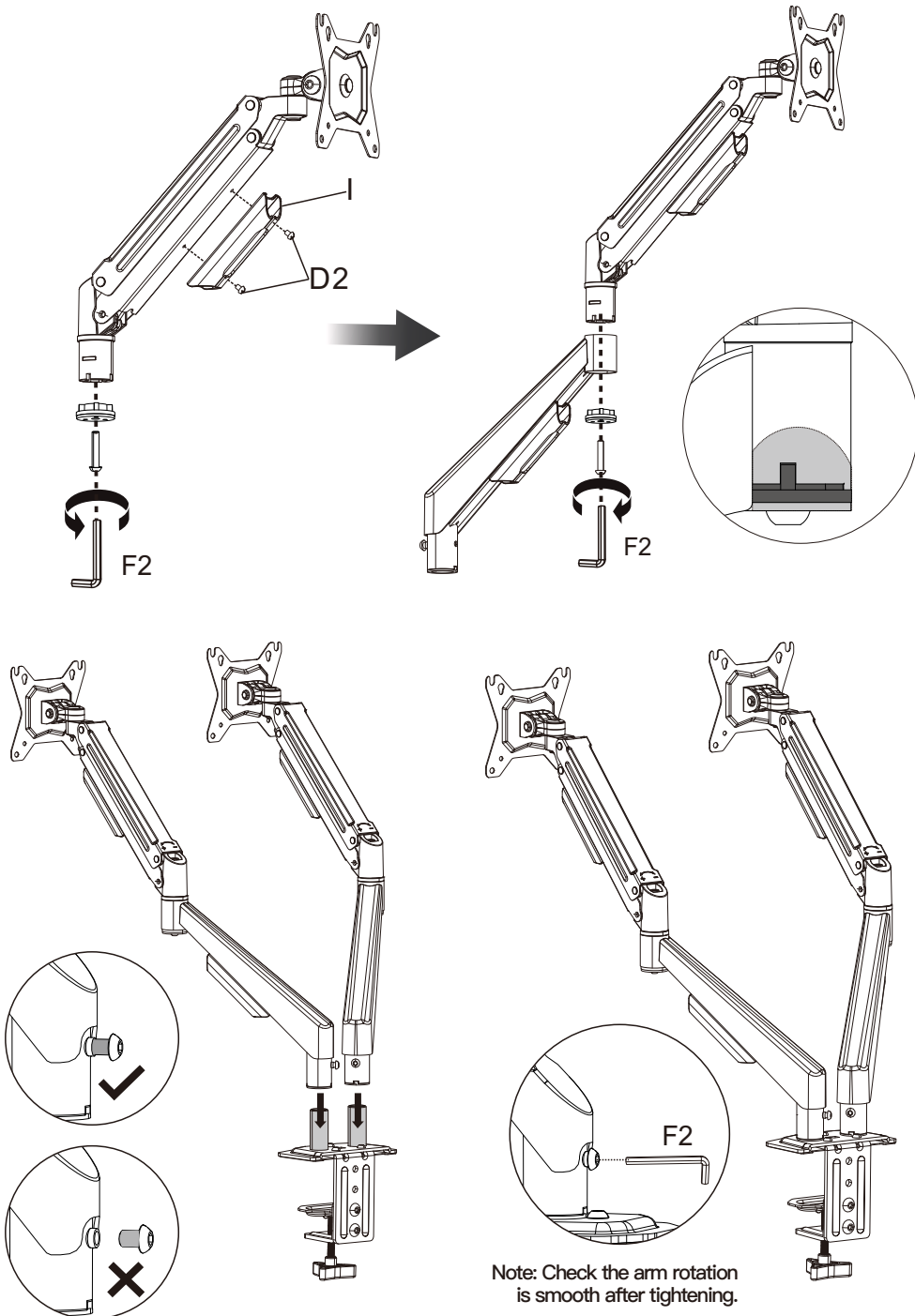
STEP1A Attach Base support



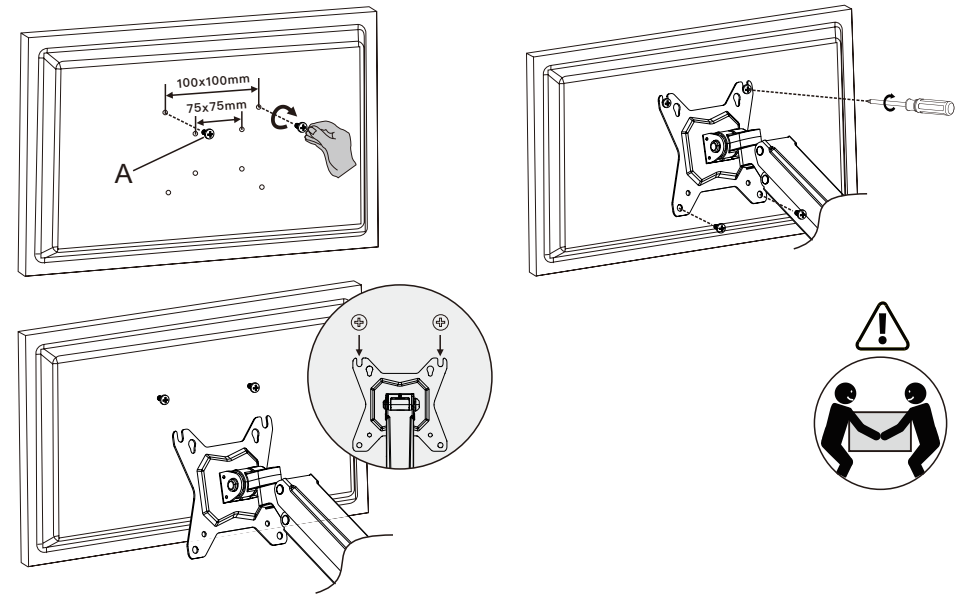
STEP1B Attach Base support



STEP2 Arm assemble



STEP3 Attach Monitors to the Arms



**STEP4 Adjust Gas Spring Tension
Adjust the Tilt Angle of Monitors and Manage the Cables**

