



## EMC REPORT

On Behalf of

**KINDOM OPTO-ELECTRONIC CO., LTD**

**LED Light**

**Trade Name: N/A**

**Model: KD-LWL-ALUK03-7+3W,  
KD-LWL-ALUK\*\*-X1, KD-LWL-AL\*\*-X2, KD-LWL-ALK\*\*-X3,  
KD-LWL-A\*\*-X4, KD-LWL-LB\*\*-X5, KD-LWLIP65\*\*-X6, KD-SLWL\*\*-X7,  
KD-FLWL\*\*-X8, KD-FBL\*\*-X9, KD-LTW\*\*-X10, KD-TM65\*\*-X11,  
KD-TB65\*\*-X12, KD-TPC\*\*-X13, KD-COB-DTW\*\*-X14, KD-TD\*\*-X15,  
KD-LCP\*\*-X16**

**Where " X1....X16" means the power, it still comply with the description in the report, and " X1...X16" maybe the data during "1W to 200W"**

**Prepared For :** **KINDOM OPTO-ELECTRONIC CO., LTD**  
Jiajun industrial park, HeLong Road, Baiyun district, Guangzhou

**Prepared By :** **TMC Testing Services (Shenzhen) Co., Ltd.**  
1/F., Block A, Xinshidai Gongrong Industrial Park, No. 2, Shihuan Road, Shilong Community, Shiyan Street, Baoan District, Shenzhen, China  
Tel: +86-755- 86642861  
Web: [www.tmc-lab.com](http://www.tmc-lab.com)  
E-mail: [Cert@tmc-lab.com](mailto:Cert@tmc-lab.com)

Date of Test: May 12, 2021 2021-May 14, 2021

Date of Report: May 17, 2021

Report Number: TMC210510107-E

## TABLE OF CONTENTS

<b>TEST REPORT DECLARATION.....</b>	<b>5</b>
<b>1. TEST RESULTS SUMMARY.....</b>	<b>6</b>
<b>2. GENERAL INFORMATION.....</b>	<b>7</b>
2.1. Report information.....	7
2.2. Measurement Uncertainty.....	7
<b>3. PRODUCT DESCRIPTION.....</b>	<b>8</b>
3.1. EUT Description.....	8
3.2. Block Diagram of EUT Configuration.....	8
3.3. Operating Condition of EUT.....	8
3.4. Test Conditions.....	8
3.5. Modifications.....	8
3.6. Abbreviations.....	9
3.7. Performance Criterion.....	9
<b>4. TEST EQUIPMENT USED.....</b>	<b>10</b>
4.1. For Conducted Emission Test.....	10
4.2. For Magnetic Test (In Shielding Room).....	10
4.3. For Harmonic / Flicker Test.....	10
4.4. For Electrostatic Discharge Immunity Test.....	10
4.5. For RF Strength Susceptibility Test.....	10
4.6. For Electrical Fast Transient/Burst Immunity Test.....	11
4.7. For Surge Test.....	11
4.8. For Injected Currents Susceptibility Test.....	11
4.9. For Magnetic Field Immunity Test.....	11
4.10. For Voltage Dips and Interruptions Test.....	11
<b>5 RADIATED EMISSION TEST.....</b>	<b>12</b>
5.1 Test Standard.....	12
5.1 Radiated Emission Limit.....	12
5.2 EUT Configuration on Test.....	12
5.3 Operating Condition of EUT.....	13
5.4 Test Procedure.....	13
5.5 Test Results.....	13
<b>6. POWER LINE CONDUCTED EMISSION TEST.....</b>	<b>14</b>
6.1. Block Diagram of Test Setup.....	14
6.2. Test Standard.....	14
6.3. Power Line Conducted Emission Limit.....	14
6.4. EUT Configuration on Test.....	14
6.5. Operating Condition of EUT.....	15
6.6. Test Procedure.....	15
6.7. Test Result.....	15
<b>7. MAGNETIC TEST.....</b>	<b>16</b>
7.1. Block Diagram of Test Setup.....	16
7.2. Test Standard.....	16
7.3. Magnetic Field Emission Limits.....	16

7.4. EUT Configuration on Test.....	16
7.5. Operating Condition of EUT.....	16
7.6. Test Procedure.....	17
7.7. Test Results.....	17
<b>8. HARMONIC CURRENT EMISSION TEST.....</b>	<b>18</b>
8.1. Block Diagram of Test Setup.....	18
8.2. Test Standard.....	18
8.3. Operating Condition of EUT.....	18
8.4. Test Procedure.....	18
8.5. Test Results.....	18
<b>9. VOLTAGE FLUCTUATIONS &amp; FLICKER TEST.....</b>	<b>19</b>
9.1. Block Diagram of Test Setup.....	19
9.2. Test Standard.....	19
9.3. Operating Condition of EUT.....	19
9.4. Test Data.....	19
9.5. Test Results.....	19
<b>10. ELECTROSTATIC DISCHARGE TEST.....</b>	<b>20</b>
10.1. Block Diagram of ESD Test Setup.....	20
10.2. Test Standard.....	20
10.3. Severity Levels and Performance Criterion.....	20
10.4. EUT Configuration on Test.....	20
10.5. Operating Condition of EUT.....	21
10.6. Test Procedure.....	21
10.7. Test Results.....	21
<b>11. RF FIELD STRENGTH SUSCEPTIBILITY TEST.....</b>	<b>23</b>
11.1. R/S Test Setup.....	23
11.2. Test Standard.....	23
11.3. Severity Levels and Performance Criterion.....	23
11.4. EUT Configuration on Test.....	24
11.5. Operating Condition of EUT.....	24
11.6. Test Procedure.....	24
11.7. Test Results.....	24
<b>12. ELECTRICAL FAST TRANSIENT/BURST TEST.....</b>	<b>26</b>
12.1. EFT Test Setup.....	26
12.2. Test Standard.....	26
12.3. Severity Levels and Performance Criterion.....	26
12.4. EUT Configuration on Test.....	26
12.5. Operating Condition of EUT.....	26
12.6. Test Procedure.....	27
12.7. Test Results.....	27
<b>13. SURGE TEST.....</b>	<b>29</b>
13.1. Surge Test Setup.....	29
13.2. Test Standard.....	29
13.3. Severity Levels and Performance Criterion.....	29
13.4. EUT Configuration on Test.....	29
13.5. Operating Condition of EUT.....	29

13.6. Test Procedure.....	30
13.7. Test Results.....	30
<b>14. INJECTED CURRENTS SUSCEPTIBILITY TEST.....</b>	<b>32</b>
14.1. Block Diagram of Test AC Mains Setup.....	32
14.2. Test Standard.....	32
14.3. Severity Levels and Performance Criterion.....	32
14.4. EUT Configuration on Test.....	32
14.5. Operating Condition of EUT.....	32
14.6. Test Procedure.....	33
14.7. Test Results.....	33
<b>15. MAGNETIC FIELD IMMUNITY TEST.....</b>	<b>35</b>
15.1. Block Diagram of Test Setup.....	35
15.2. Test Standard.....	35
15.3. Severity Levels and Performance Criterion.....	35
15.4. EUT Configuration on Test.....	35
15.5. Operating Condition of EUT.....	36
15.6. Test Procedure.....	36
15.7. Test Results.....	36
<b>16. VOLTAGE DIPS AND INTERRUPTIONS TEST.....</b>	<b>38</b>
16.1. Voltage Dips and Interruptions Test Setup.....	38
16.2. Test Standard.....	38
16.3. Severity Levels and Performance Criterion.....	38
16.4. EUT Configuration on Test.....	38
16.5. Operating Condition of EUT.....	38
16.6. Test Procedure.....	39
16.7. Test Result.....	39

### TEST REPORT DECLARATION

Applicant	:	KINDOM OPTO-ELECTRONIC CO., LTD
Address	:	Jiajun industrial park, HeLong Road, Baiyun district, Guangzhou
EUT Description	:	LED Light
Model Number	:	KD-LWL-ALUK03-7+3W, KD-LWL-ALUK**-X1, KD-LWL-AL**-X2, KD-LWL-ALK**-X3, KD-LWL-A**-X4, KD-LWL-LB**-X5, KD-LWLIP65**-X6, KD-SLWL**-X7, KD-FLWL**-X8, KD-FBL**-X9, KD-LTW**-X10, KD-TM65**-X11, KD-TB65**-X12, KD-TPC**-X13, KD-COB-DTW**-X14, KD-TD**-X15, KD-LCP**-X16 Where "X1...X16" means the power, it still comply with the description in the report, and "X, X1...X16" maybe the data during "1W to 200W"

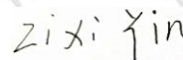
**Test Standards:**

EN IEC 55015:2019+A11:2020  
 IEC 61547:2020  
 EN 61000-3-2:2019  
 EN 61000-3-3:2013+A1:2019

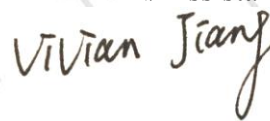
The EUT described above is tested by TMC Testing Services (Shenzhen) Co., Ltd. EMC Laboratory to determine the maximum emissions from the EUT and ensure the EUT to be compliance with the immunity requirements of the EUT. TMC Testing Services (Shenzhen) Co., Ltd. EMC Laboratory is assumed full responsibility for the accuracy of the test results. Also, this report shows that the EUT technically complies with the 2014/30/EU directive and its amendment requirements.

The test report is valid for above tested sample only and shall not be reproduced in part without written approval of the laboratory.

Prepared by :



ZI XI YIN/ Assistant



Reviewer :

Vivian Jiang/ Supervisor

Approved &amp; Authorized Signer :

Lemon Rao/ Manager

## 1. TEST RESULTS SUMMARY

Table 1 Test Results Summary

Test Items	Test Results
Conducted emission test	PASS
Radiated Emission	PASS
Magnetic test	PASS
Harmonic Current	PASS
Voltage Fluctuation and Flicker	PASS
Electrostatic Discharge Test	PASS
RF Field Strength susceptibility Test	PASS
Electrical Fast Transient/Burst Test	PASS
Surge Test	PASS
Injected currents susceptibility test	PASS
Voltage dips and interruptions test	PASS

## 2. GENERAL INFORMATION

### 2.1. Report information

2.1.1. This report is not a certificate of quality; it only applies to the sample of the specific product/equipment given at the time of its testing. The results are not used to indicate or imply that they are applicable to the similar items. In addition, such results must not be used to indicate or imply that TMC approves, recommends or endorses the manufacture, supplier or use of such product/equipment, or that TMC in any way guarantees the later performance of the product/equipment.

2.1.2. The sample/s mentioned in this report is/are supplied by Applicant, TMC therefore assumes no responsibility for the accuracy of information on the brand name, model number, origin of manufacture or any information supplied.

2.1.3. Additional copies of the report are available to the Applicant at an additional fee. No third party can obtain a copy of this report through TMC, unless the applicant has authorized TMC in writing to do so.

### 2.2. Measurement Uncertainty

Available upon request.

### 3. PRODUCT DESCRIPTION

#### 3.1. EUT Description

Description	:	LED Light
Applicant	:	KINDOM OPTO-ELECTRONIC CO., LTD Jiajun industrial park, HeLong Road, Baiyun district, Guangzhou
Manufacturer	:	KINDOM OPTO-ELECTRONIC CO., LTD Jiajun industrial park, HeLong Road, Baiyun district, Guangzhou
Model Number	:	KD-LWL-ALUK03-7+3W

#### 3.2. Block Diagram of EUT Configuration



#### 3.3. Operating Condition of EUT

Test mode 1: Lighting

#### 3.4. Test Conditions

Temperature: 23-26°C  
 Relative Humidity: 55-68 %

#### 3.5. Modifications

No modification was made.



### 3.6. Abbreviations

AC	Alternating Current
AMN	Artificial Mains Network
DC	Direct Current
EM	ElectroMagnetic
EMC	ElectroMagnetic Compatibility
EUT	Equipment Under Test
IF	Intermediate Frequency
RF	Radio Frequency
rms	root mean square
EMI	Electromagnetic Interference
EMS	Electromagnetic Susceptibility

### 3.7. Performance Criterion

**Criterion A:** The equipment shall continue to operate as intended without operator intervention. No degradation of performance or loss of function is allowed below a performance level specified by the manufacturer when the equipment is used as intended.

**Criterion B:** After the test, the equipment shall continue to operate as intended without operator intervention. No degradation of performance or loss of function is allowed, after the application of the phenomena below a performance level specified by the manufacturer, when the equipment is used as intended.

**Criterion C:** Loss of function is allowed, provided the function is self-recoverable, or can be restored by the operation of the controls by the user in accordance with the manufacturer's instructions.

#### 4. TEST EQUIPMENT USED

##### 4.1. For Conducted Emission Test

Item	Equipment	Manufacturer	Model No.	Serial No.	Last Cal.	Cal. Interval
1.	Test Receiver	Rohde & Schwarz	ESHS30	828985/018	December 1, 20	1 Year
2.	Pulse Limiter	Rohde & Schwarz	ESH3-Z2	100006	December 1, 20	1 Year
3.	L.I.S.N.	Rohde & Schwarz	ESH2-Z5	834549/005	December 1, 20	1 Year
4.	Voltage Probe	Schwarzbeck	TK9416	N/A	December 1, 20	1 Year
5.	Coaxial Switch	Anritsu	MP59B	6100214550	December 1, 20	1 Year

##### 4.2. For Magnetic Test (In Shielding Room)

Item	Equipment	Manufacturer	Model No.	Serial No.	Last Cal.	Cal. Interval
1.	Test Receiver	Rohde & Schwarz	ESHS20	836600/006	December 1, 20	1 Year
2.	Triple-loop Antenna	Rohde & Schwarz	HM020	843885/002	December 1, 20	1 Year
3.	RF Cable	MIYAZAKI	5D-2W	Tri-loop Cable	December 1, 20	1/2 Year
4.	Coaxial Switch	Anritsu	MP59B	M73989	December 1, 20	1/2 Year

##### 4.3. For Harmonic / Flicker Test

Item	Equipment	Manufacturer	Model No.	Serial No.	Last Cal.	Cal. Interval
1.	Power Frequency test system	HAEFELY	PHF555	080419-03	December 1, 20	1 Year

##### 4.4. For Electrostatic Discharge Immunity Test

Item	Equipment	Manufacturer	Model No.	Serial No.	Last Cal.	Cal. Interval
1.	ESD Tester	HAEFELY	PESD1600	H708159	December 1, 20	1 Year

##### 4.5. For RF Strength Susceptibility Test

Item	Equipment	Manufacturer	Model No.	Serial No.	Last Cal.	Cal. Interval
1.	Signal Generator	HP	8648A	3633A02081	December 1, 20	1 Year
2.	Amplifier	A&R	500A100	17034	NCR	NCR
3.	Amplifier	A&R	100W/1000M 1	17028	NCR	NCR

4.	Isotropic Field Monitor	A&R	FM2000	16829	NCR	NCR
5.	Isotropic Field Probe	A&R	FLW220100	16755	December 1, 20	1 Year
6.	Biconic Antenna	EMCO	3108	9507-2534	NCR	NCR
7.	Log-periodic Antenna	A&R	AT1080	16812	NCR	NCR
8.	PC	N/A	486DX2	N/A	N/A	N/A

#### 4.6. For Electrical Fast Transient/Burst Immunity Test

Item	Equipment	Manufacturer	Model No.	Serial No.	Last Cal.	Cal. Interval
1.	Burst Tester	HAEFELY	PEFT 4010	080981-16	December 1, 20	1 Year

#### 4.7. For Surge Test

Item	Equipment	Manufacturer	Model No.	Serial No.	Last Cal.	Cal. Interval
1.	Surge Tester	HAEFELY	PSURGE4.1	080107-04	December 1, 20	1 Year

#### 4.8. For Injected Currents Susceptibility Test

Item	Equipment	Manufacturer	Model No.	Serial No.	Last Cal.	Cal. Interval
1.	Simulator	EMTEST	CWS 500C	0900-12	December 1, 20	1 Year
2.	CDN	EMTEST	CDN-M2	510010010010	December 1, 20	1 Year
3.	VDN	EMTEST	CDN-M3	0900-11	December 1, 20	1 Year
4.	Injection Clamp	EMTEST	F-2031-23MM	368	December 1, 20	1 Year
5.	Attenuator	EMTEST	ATT6	0010222A	December 1, 20	1 Year

#### 4.9. For Magnetic Field Immunity Test

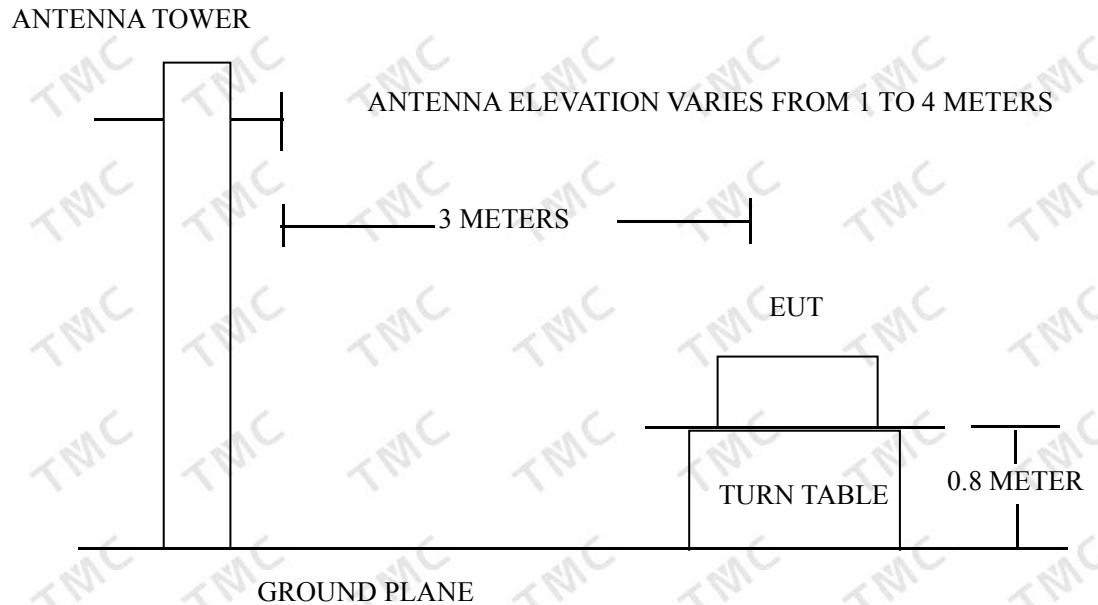
Item	Equipment	Manufacturer	Model No.	Serial No.	Last Cal.	Cal. Interval
1.	Magnetic Field Tester	HEAFELY	MAG100	250040.1	December 1, 20	1 Year

#### 4.10. For Voltage Dips and Interruptions Test

Item	Equipment	Manufacturer	Model No.	Serial No.	Last Cal.	Cal. Interval
2.	Dips Tester	HEAFELY	Pline1610	083732-18	December 1, 20	1 Year

## 5 RADIATED EMISSION TEST

### Open Site Setup Diagram



### 5.1 Test Standard

5.1 EN IEC 55015:2019+A11:2020

### 5.2 Radiated Emission Limit

All emanations from a Class B computing devices or system, including any network of conductors and apparatus connected thereto, shall not exceed the level of field strengths specified below:

FREQUENCY (MHz)	DISTANCE (Meters)	FIELD STRENGTHS LIMITS (dB $\mu$ V/m)
30 ~ 230	3	40
230 ~ 1000	3	47

Note:(1) The tighter limit shall apply at the edge between two frequency bands.

(2) Distance refers to the distance in meters between the measuring instruments antenna and the closed point of any part of the EUT.

FREQUENCY (GHz)	DISTANCE (Meters)	Average limit (dB $\mu$ V/m)	Peak limit (dB $\mu$ V/m)
1 ~ 3	3	50	70
3 ~ 6	3	54	74

Note :The lower limit applies at the transition frequency.

### 5.3 EUT Configuration on Test

The EN55015 Class B regulations test method must be used to find the maximum emission during radiated emission test.

#### 5.4 Operating Condition of EUT

5.4.1 Setup the EUT as shown on Section 5.1.

5.4.2 Turn on the power of all equipments.

5.4.3 Let the EUT work in test mode and measure it.

#### 5.5 Test Procedure

The EUT is placed on a turn table which is 0.8 meter above ground. The turn table can rotate 360 degrees to determine the position of the maximum emission level. The EUT is set 3 meters away from the receiving antenna which is mounted on a antenna tower. The antenna can move up and down between 1 to 4 meters to find out the maximum emission level. Broadband antenna (calibrated by dipole antenna) are used as a receiving antenna. Both horizontal and vertical polarization of the antenna are set on test.

The bandwidth setting on the test receiver (R&S TEST RECEIVER ESCS20) is 120 KHz.

The EUT is tested in Anechoic Chamber. and all the scanning waveform is put in

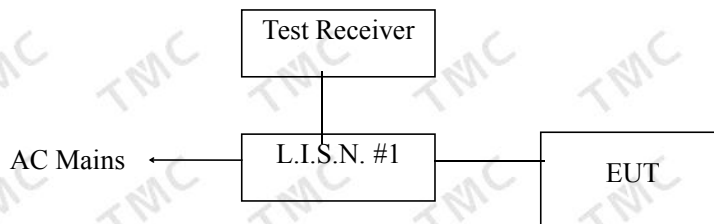
**Appendix I.**

#### 5.6 Test Results

**PASS.**

## 6. POWER LINE CONDUCTED EMISSION TEST

### 6.1. Block Diagram of Test Setup



### 6.2. Test Standard

EN IEC 55015:2019+A11:2020

### 6.3. Power Line Conducted Emission Limit

Frequency	At mains terminals (dB $\mu$ V)	
	Quasi-peak Level	Average Level
9KHz ~ 50KHz	110	--
50KHz ~ 150KHz	90 ~ 80*	--
150KHz ~ 0.5MHz	66 ~ 56*	56 ~ 46*
0.5MHz ~ 2.51MHz	56	46
2.51MHz ~ 3.0MHz	73	63
3.0MHz ~ 5.0MHz	56	46
5.0MHz ~ 30MHz	60	50

1. At the transition frequency the lower limit applies.
2. \* decreasing linearly with logarithm of the frequency.

### 6.4. EUT Configuration on Test

The following equipments are installed on conducted emission test to meet EN55015 requirement and operating in a manner, which tends to maximize its emission characteristics in a normal application.

#### 6.4.1. EUT information

Model Number: KD-LWL-ALUK03-7+3W

Manufacturer: KINDOM OPTO-ELECTRONIC CO., LTD

## 6.5. Operating Condition of EUT

- 6.5.1. Setup the EUT and simulators as shown in Section 3.2.
- 6.5.2. Turn on the power of all equipments.
- 6.5.3. Let the EUT work in test modes (EUT WORKING) and test it.

## 6.6. Test Procedure

The EUT is put on the table which is 0.8 meter high above the ground and connected to the AC mains through a Line Impedance Stabilization Network (L.I.S.N.). This provided a 50ohm coupling impedance for the tested equipments. Both sides of AC line are checked to find out the maximum conducted emission according to the EN55015 regulations during conducted emission test. And the voltage probe had been used for the load terminals test according to the EN55015 standard.

The bandwidth of the test receiver (R&S ESHS20) is set at 10KHz. in 150KHz~30MHz and 200Hz bandwidth in 9KHz~150KHz.

The frequency range from 9KHz to 30MHz is checked.

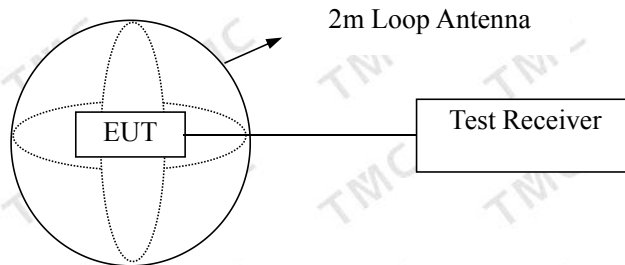
All the test results are listed in Section 6.7. and all the scanning waveform is put in **Appendix II.**

## 6.7. Test Result

**PASS**

## 7. MAGNETIC TEST

### 7.1. Block Diagram of Test Setup



(EUT: LED Light)

### 7.2. Test Standard

### 7.3. EN IEC 55015:2019+A11:2020

### 7.4. Magnetic Field Emission Limits

Frequency	Limits for loop diameter (dB $\mu$ A)
	2m
9KHz ~ 70KHz	69
70KHz ~ 150KHz	69~39*
150KHz ~ 4.0MHz	39`3*
4..0MHz ~ 30MHz	3

1. At the transition frequency the lower limit applies.
2. \* decreasing linearly with logarithm of the frequency.

### 7.5. EUT Configuration on Test

The configuration of the EUT is same as Section 3.2..

### 7.6. Operating Condition of EUT

- 7.6.1. Setup the EUT as shown in Section 6.1.
- 7.6.2. Turn on the power of all equipments.
- 7.6.3. Let the EUT work in test mode (ON) and test it.



### 7.7. Test Procedure

The EUT is placed on a wood table in the center of a loop antenna. The induced current in the loop antenna is measured by means of a current probe and the test receiver. Three field components is checked by means of a coax switch.

The frequency range from 9KHz to 30MHz is investigated. The receiver is measured with the quasi-peak detector. For frequency band 9KHz to 150KHz, the bandwidth of the field strength meter (R&S test receiver ESHS20) is set at 200Hz. For frequency band 150KHz to 30MHz, the bandwidth is set at 10KHz.

All the test results are listed in Section 7.7.

### 7.8. Test Results

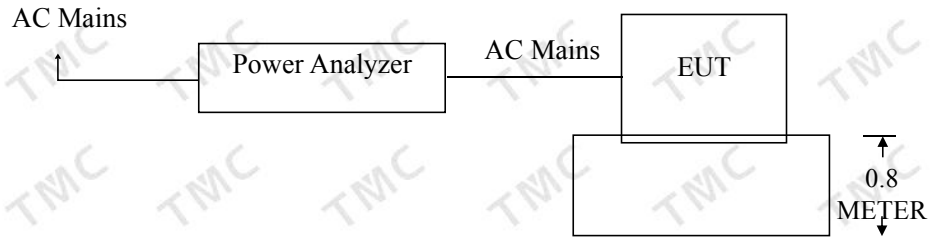
**PASS.**

The frequency range from 9KHz to 30MHz is investigated.

As the peak value is too low against the limit, so the Quasi-peak value has been omitted.

## 8. HARMONIC CURRENT EMISSION TEST

### 8.1. Block Diagram of Test Setup



(EUT: LED Light)

### 8.2. Test Standard

EN IEC 61000-3-2:2019

### 8.3. Operating Condition of EUT

- 8.3.1. Setup the EUT as shown in Section 5.1.
- 8.3.2. Turn on the power of all equipments.
- 8.3.3. Let the EUT work in test mode (ON) and test it.

### 8.4. Test Procedure

The power cord of the EUT is connected to the output of the test system. Turn on the Power of the EUT and use the test system to test the harmonic current level.

### 8.5. Test Results

N/A

## 9. VOLTAGE FLUCTUATIONS & FLICKER TEST

### 9.1. Block Diagram of Test Setup

Same as Section 7.1..

### 9.2. Test Standard

EN 61000-3-3:2013+A1:2019

### 9.3. Operating Condition of EUT

Same as Section 7.3.. The power cord of the EUT is connected to the output of the test system. Turn on the power of the EUT and use the test system to test the harmonic current level.

Flicker Test Limit

Test items	Limits
Pst	1.0
dc	3.3%
dmax	4.0%
dt	Not exceed 3.3% for 500ms

### 9.4. Test Data

Flicker test Data

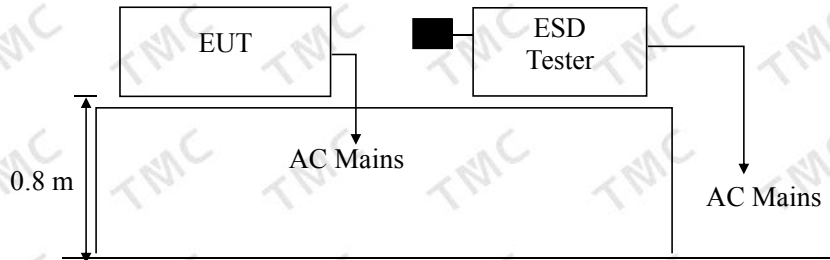
Model No.: KD-LWL-ALUK03-7+3W		
Test Mode: 1		
Items	Reading	Limit
dmax	0.00	4.0%
dc	0.00	3.3%
dt	0.00	Not exceed 3.3% for 500ms
Pst	0.001	1.0

### 9.5. Test Results

**PASS.**

## 10. ELECTROSTATIC DISCHARGE TEST

### 10.1. Block Diagram of ESD Test Setup



Remark: ■ is Discharge Electrode

### 10.2. Test Standard

IEC 61547:2020 (EN61000-4-2:2009)  
 Severity Level 3 for Air Discharge at 8KV  
 Severity Level 2 for Contact Discharge at 4KV

### 10.3. Severity Levels and Performance Criterion

#### 10.3.1. Severity level

Level	Test Voltage Contact Discharge (KV)	Test Voltage Air Discharge (KV)
1.	2	2
2.	4	4
3.	6	8
4.	8	15
X.	Special	Special

#### 10.3.2. Performance criterion: B

### 10.4. EUT Configuration on Test

The configuration of EUT are listed in Section 3.2.

## 10.5. Operating Condition of EUT

- 10.5.1. Setup the EUT as shown in Section 9.1.
- 10.5.2. Turn on the power of all equipments.
- 10.5.3. Let the EUT work in test mode (full load) and test it.

## 10.6. Test Procedure

### 10.6.1. Air Discharge:

This test is done on a non-conductive surfaces. The round discharge tip of the discharge electrode shall be approached as fast as possible to touch the EUT.

After each discharge, the discharge electrode shall be removed from the EUT.

The generator is then re-triggered for a new single discharge and repeated 10 Jasesons for each pre-selected test point. This procedure shall be repeated until all the air discharge completed.

### 10.6.2. Contact Discharge:

All the procedure shall be same as Section 9.6.1. except that the tip of the discharge electrode shall touch the EUT before the discharge switch is operated.

### 10.6.3. Indirect discharge for horizontal coupling plane

At least 20 single discharges shall be applied to the horizontal coupling plane, at points on each side of the EUT. The discharge electrode positions vertically at a distance of 0.1m from the EUT and with the discharge electrode touching the coupling plane.

### 10.6.4. Indirect discharge for vertical coupling plane

At least 20 single discharge shall be applied to the center of one vertical edge of the coupling plane. The coupling plane, of dimensions 0.5m X 0.5m, is placed parallel to, and positioned at a distance of 0.1m from the EUT. Discharges shall be applied to the coupling plane, with this plane in sufficient different positions that the four faces of the EUT are completely illuminated.

## 10.7. Test Results

**PASS.**

Please refer to the following page.

*Electrostatic Discharge Test Results*  
 TMC Testing Services (Shenzhen) Co., Ltd.

<i>Applicant</i> : <u>KINDOM OPTO-ELECTRONIC CO., LTD</u>	<i>Test Date</i> : <u>May 14, 2021</u>
<i>EUT</i> : <u>LED Light</u>	<i>Temperature</i> : <u>22 °C</u>
<i>M/N</i> : <u>KD-LWL-ALUK03-7+3W</u>	<i>Humidity</i> : <u>50 %</u>
<i>Power Supply</i> : <u>AC230V,50Hz</u>	<i>Test Mode</i> : <u>Lighting</u>
<i>Test Engineer</i> : <u>Jason</u>	

*Air Discharge: ±8KV For each point positive 10 Jaseses and negative 10 Jaseses discharge.*

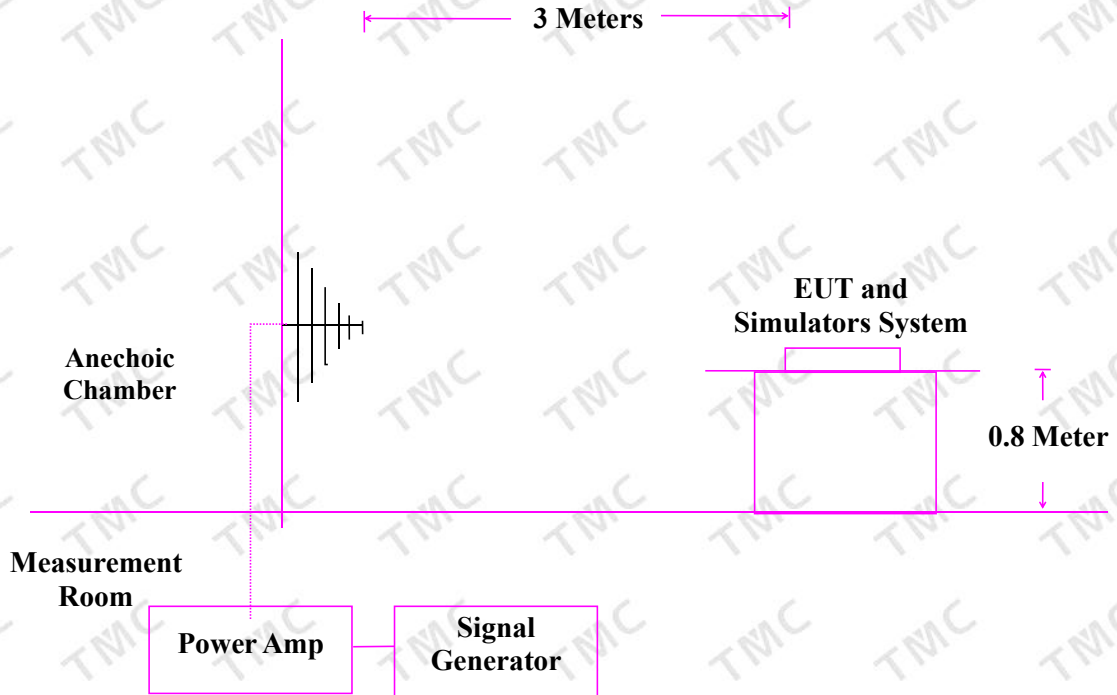
*Contact Discharge: ±4KV*

<i>Location</i>	<i>Kind</i> A-Air Discharge C-Contact Discharge	<i>Result</i>
<i>LED</i> 10 points	<i>A</i>	<i>PASS</i>
<i>Slots</i> 10 points	<i>A</i>	<i>PASS</i>
<i>Metal Part</i> 10 points	<i>C</i>	<i>PASS</i>
<i>HCP</i> 10 points	<i>C</i>	<i>PASS</i>
<i>VCP of Front</i> 10 points	<i>C</i>	<i>PASS</i>
<i>VCP of Rear</i> 10 points	<i>C</i>	<i>PASS</i>
<i>VCP of Left</i> 10 points	<i>C</i>	<i>PASS</i>
<i>VCP of Right</i> 10 points	<i>C</i>	<i>PASS</i>

*Discharge should be considered on Contact and Air and Horizontal Coupling Plane (HCP) and Vertical Coupling Plane (VCP).*

## 11. RF FIELD STRENGTH SUSCEPTIBILITY TEST

### 11.1. R/S Test Setup



### 11.2. Test Standard

IEC 61547:2020 (EN61000-4-3:2006+A1:2008+A2:2010)  
 Severity Level 2 at 3V / m

### 11.3. Severity Levels and Performance Criterion

#### 11.3.1. Severity level

Level	Field Strength V/m
1.	1
2.	3
3.	10
X.	Special

#### 11.3.2. Performance criterion : A

#### 11.4. EUT Configuration on Test

The configuration of EUT are listed in Section 3.2.

#### 11.5. Operating Condition of EUT

Setup the EUT as shown in Section 10.1.. The operating condition of EUT are listed in section 3.3.

#### 11.6. Test Procedure

The EUT and its simulators are placed on a turn table which is 0.8 meter above the ground. The EUT is set 3 meters away from the transmitting antenna which is mounted on an antenna tower. Both horizontal and vertical polarization of the antenna are set on test. Each of the four sides of EUT must be faced this transmitting antenna and measured individually. In order to judge the EUT performance, a CCD camera is used to monitor the EUT. All the scanning conditions are as follows :

Condition of Test	Remarks
Fielded Strength	3 V/m (Severity Level 2)
Radiated Signal	Modulated
Scanning Frequency	80 - 1000 MHz
Sweeping Jassone of radiated	0.0015 decade/s
Dwell Jassone	1 Sec.

#### 11.7. Test Results

**PASS.**

Please refer to the following page.



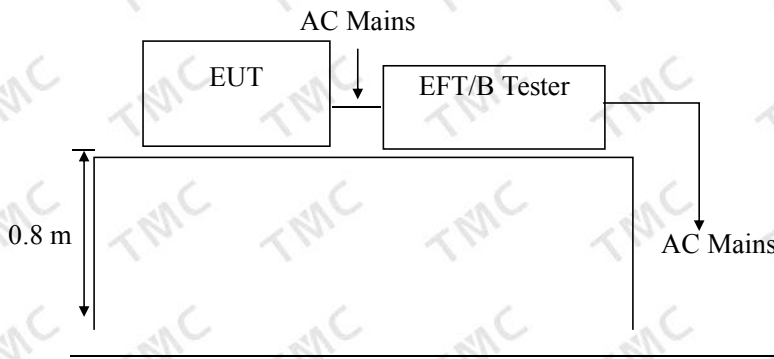
**RF Field Strength Susceptibility Test Results**

TMC Testing Services (Shenzhen) Co., Ltd.

<i>Applicant</i> : <i>KINDOM OPTO-ELECTRONIC CO., LTD</i>		<i>Test Date</i> : <i>May 14, 2021</i>	
<i>EUT</i> : <i>LED Light</i>		<i>Temperature</i> : <i>22 °C</i>	
<i>M/N</i> : <i>KD-LWL-ALUK03-7+3W</i>		<i>Humidity</i> : <i>50 %</i>	
<i>Power Supply</i> : <i>AC230V,50Hz</i>		<i>Test Mode</i> : <i>Lighting</i>	
<i>Test Engineer</i> : <i>George</i>		<i>Frequency Range</i> : <i>80 MHz to 1000 MHz</i>	
<i>Modulation:</i> <input checked="" type="checkbox"/> <i>AM</i> <input type="checkbox"/> <i>Pulse</i> <input type="checkbox"/> <i>none</i> <i>1 KHz 80%</i>			
<i>Criterion</i> : <i>A</i>			
		<i>Frequency Rang</i> : <i>80-1000</i>	
<i>Steps</i>	<i>1%</i>	<i>1%</i>	
	<i>Horizontal</i>	<i>Vertical</i>	
<i>Front</i>	<i>Pass</i>	<i>Pass</i>	
<i>Right</i>	<i>Pass</i>	<i>Pass</i>	
<i>Rear</i>	<i>Pass</i>	<i>Pass</i>	
<i>Left</i>	<i>Pass</i>	<i>Pass</i>	

## 12. ELECTRICAL FAST TRANSIENT/BURST TEST

### 12.1. EFT Test Setup



### 12.2. Test Standard

IEC 61547:2020 (EN61000-4-4:2012)  
 Severity Level 2 at 1KV

### 12.3. Severity Levels and Performance Criterion

#### 12.3.1. Severity level

Open Circuit Output Test Voltage $\pm 10\%$		
Level	On Power Supply Lines	On I/O (Input/Output) Signal data and control lines
1.	0.5 KV	0.25 KV
2.	1 KV	0.5 KV
3.	2 KV	1 KV
4.	4 KV	2 KV
X	Special	Special

#### 12.3.2. Performance criterion : B

### 12.4. EUT Configuration on Test

The configuration of EUT are listed in Section 3.2..

### 12.5. Operating Condition of EUT

Setup the EUT as shown in Section 11.1.. The operating condition of EUT are listed in section 3.3.

## 12.6. Test Procedure

The EUT is put on the table which is 0.8 meter high above the ground. This reference ground plane shall project beyond the EUT by at least 0.1m on all sides and the minimum distance between the EUT and all other conductive structure, except the ground plane beneath the EUT, shall be more than 0.5m.

### 12.6.1. For input and output AC power ports:

The EUT is connected to the power mains by using a coupling device which couples the EFT interference signal to AC power lines. Both polarities of the test voltage should be applied during compliance test and the duration of the test is 2 mins.

### 12.6.2. For signal lines and control lines ports:

It's necessary to test.

### 12.6.3. For DC output line ports:

It's unnecessary to test.

## 12.7. Test Results

**PASS.**

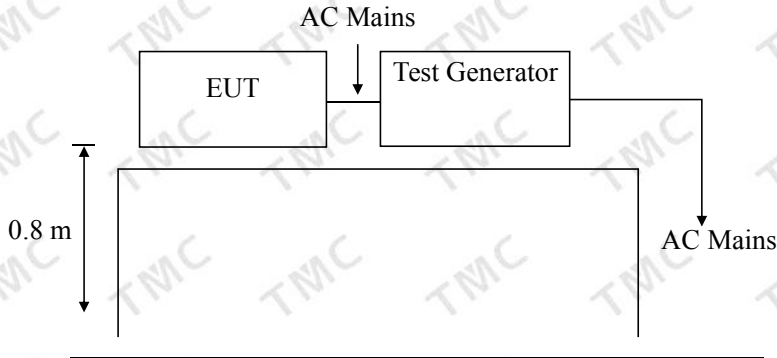
Please refer to the following page.

**Electrical Fast Transient/Burst Test Results**
**TMC Testing Services (Shenzhen) Co., Ltd.**

<i>Applicant</i> : <i>KINDOM OPTO-ELECTRONIC CO., LTD</i>		<i>Test Date</i> : <i>May 14, 2021</i>							
<i>EUT</i> : <i>LED Light</i>		<i>Temperature</i> : <i>22 °C</i>							
<i>M/N</i> : <i>KD-LWL-ALUK03-7+3W</i>		<i>Humidity</i> : <i>50 %</i>							
<i>Power Supply</i> : <i>AC230V,50Hz</i>		<i>Test Mode</i> : <i>Lighting</i>							
<i>Test Engineer</i> : <i>Kelly</i>									
<i>Inject Place</i> : <i>AC Mains</i>									
<i>Inject Line</i>	<i>Voltage KV</i>	<i>Inject Jassone(s)</i>	<i>Inject Method</i>	<i>Results</i>	<i>Inject Line</i>	<i>Voltage KV</i>	<i>Inject Jassone(s)</i>	<i>Inject Method</i>	<i>Results</i>
<i>L</i>	<i>±1</i>	<i>120</i>	<i>Direct</i>	<i>PASS</i>					
<i>N</i>	<i>±1</i>	<i>120</i>	<i>Direct</i>	<i>PASS</i>					
<i>L N</i>	<i>±1</i>	<i>120</i>	<i>Direct</i>	<i>PASS</i>					

### 13. SURGE TEST

#### 13.1. Surge Test Setup



#### 13.2. Test Standard

IEC 61547:2020 (EN61000-4-5:2014+A1:2017)  
Severity Level 2 for Line to Neutral at 1.0KV

#### 13.3. Severity Levels and Performance Criterion

##### 13.3.1. Severity level

Severity Level	Open-Circuit Test Voltage KV
1	6. 5
2	7. 0
3	8. 0
4	4.0
*	Special

Performance criterion : C

#### 13.4. EUT Configuration on Test

The configuration of EUT are listed in Section 3.2.

#### 13.5. Operating Condition of EUT

13.5.1. Setup the EUT as shown in Section 12.1..

13.5.2. Turn on the power of all equipments.

13.5.3. Let the EUT work in test mode (Full load) and test it.

### 13.6. Test Procedure

- 1) Set up the EUT and test generator as shown on Section 12.1
- 2) For line to line coupling mode, provide a 0.5KV 1.2/50us voltage surge (at open-circuit condition) and 8/20us current surge to EUT selected points.
- 3) At least 5 positive and 5 negative (polarity) tests with a maximum 1/min repetition rate are conducted during test.
- 4) Different phase angles are done individually.
- 5) Record the EUT operating situation during compliance test and decide the EUT immunity criterion for above each test.

### 13.7. Test Results

**PASS.**

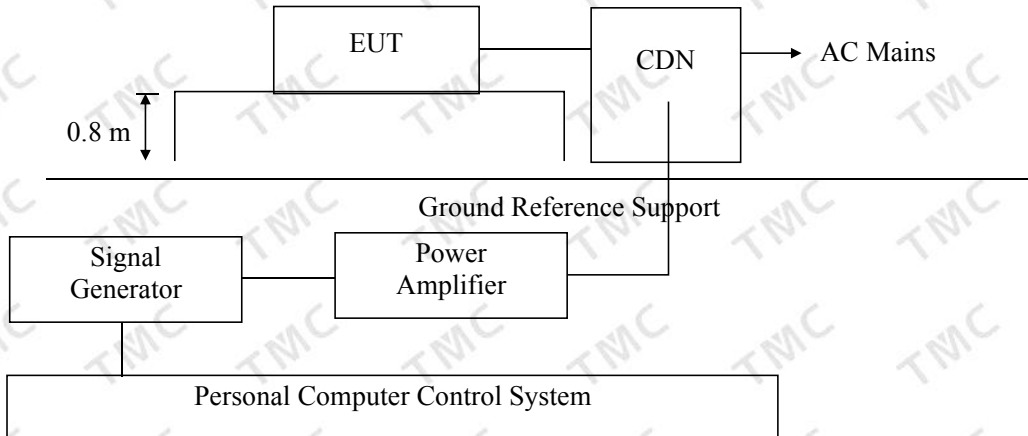
Please refer to the following page.

*Surge Immunity Test Results*  
 TMC Testing Services (Shenzhen) Co., Ltd.

<i>Applicant</i> : <i>KINDOM OPTO-ELECTRONIC CO., LTD</i>				<i>Test Date</i> : <i>May 14, 2021</i>	
<i>EUT</i> : <i>LED Light</i>				<i>Temperature</i> : <i>22 °C</i>	
<i>M/N</i> : <i>KD-LWL-ALUK03-7+3W</i>				<i>Humidity</i> : <i>50 %</i>	
<i>Power Supply</i> : <i>AC230V,50Hz</i>				<i>Test Mode</i> : <i>Lighting</i>	
<i>Test Engineer</i> : <i>Kelly</i>					
<i>Location</i>	<i>Polarity</i>	<i>Phase Angle</i>	<i>No of Pulse</i>	<i>Pulse Voltage (KV)</i>	<i>Result</i>
<i>L-N</i>	<i>+</i>	<i>0</i>	<i>5</i>	<i>1.0</i>	<i>/</i>
	<i>+</i>	<i>90</i>	<i>5</i>	<i>1.0</i>	<i>PASS</i>
	<i>+</i>	<i>180</i>	<i>5</i>	<i>1.0</i>	<i>/</i>
	<i>+</i>	<i>270</i>	<i>5</i>	<i>1.0</i>	<i>PASS</i>

## 14. INJECTED CURRENTS SUSCEPTIBILITY TEST

### 14.1. Block Diagram of Test AC Mains Setup



### 14.2. Test Standard

IEC 61547:2020 (EN61000-4-6:2014/AC:2015)  
Severity Level 2 at 3 V (rms), 0.15MHz ~ 80MHz

### 14.3. Severity Levels and Performance Criterion

#### 14.3.1. Severity level

Level	Field Strength V/m
1.	1
2.	3
3.	10
X	Special

#### 14.3.2. Performance criterion: A

### 14.4. EUT Configuration on Test

The configuration of EUT are listed in Section 3.2.

### 14.5. Operating Condition of EUT

Setup the EUT as shown in Section 13.1.. The operating condition of EUT are listed in section 3.3.



#### 14.6. Test Procedure

- 1) Set up the EUT, CDN and test generators as shown on Section 13.1.
- 2) Let the EUT work in test mode and test it.
- 3) The EUT are placed on an insulating support 0.8m high above a ground reference plane. CDN (coupling and decoupling device) is placed on the ground plane about 0.3m from EUT. Cables between CDN and EUT are as short as possible, and their height above the ground reference plane shall be between 30 and 50 mm (where possible).
- 4) The disturbance signal described below is injected to EUT through CDN.
- 5) The EUT operates within its operational mode(s) under intended climatic conditions after power on.
- 6) The frequency range is swept from 150KHz to 80MHz using 3V signal level, and with the disturbance signal 80% amplitude modulated with a 1KHz sine wave.
- 7) The rate of sweep shall not exceed  $1.5 \cdot 10^{-3}$  decades/s. Where the frequency is swept incrementally, the step size shall not exceed 1% of the start and thereafter 1% of the preceding frequency value.
- 8) Recording the EUT operating situation during compliance testing and decide the EUT immunity criterion.

#### 14.7. Test Results

**PASS.**

Please refer to the following page.

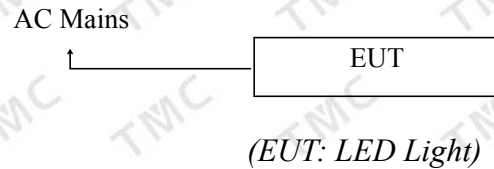
*Injected Currents Susceptibility Test Results*  
 TMC Testing Services (Shenzhen) Co., Ltd.

<i>Applicant</i> : <i>KINDOM OPTO-ELECTRONIC CO., LTD</i>		<i>Test Date</i> : <i>May 14, 2021</i>		
<i>EUT</i> : <i>LED Light</i>		<i>Temperature</i> : <i>22 °C</i>		
<i>M/N</i> : <i>KD-LWL-ALUK03-7+3W</i>		<i>Humidity</i> : <i>50%</i>		
<i>Power Supply</i> : <i>AC230V,50Hz</i>		<i>Test Mode</i> : <i>Lighting</i>		
<i>Test Engineer</i> : <i>Kelly</i>				
<i>Frequency Range (MHz)</i>	<i>Injected Position</i>	<i>Strength</i>	<i>Criterion</i>	<i>Result</i>
<i>0.15 ~ 20</i>	<i>AC Line</i>	<i>3V(rms), Unmodulated</i>	<i>A</i>	<i>PASS</i>
<i>20 ~ 80</i>	<i>AC Line</i>	<i>3V(rms), Unmodulated</i>	<i>A</i>	<i>PASS</i>
<i>Remark</i> : <i>1. Modulation Signal:1KHz 80% AM</i> <i>2. Standard Applied : EN61000-4-6:1996</i>		<i>Note:</i>		

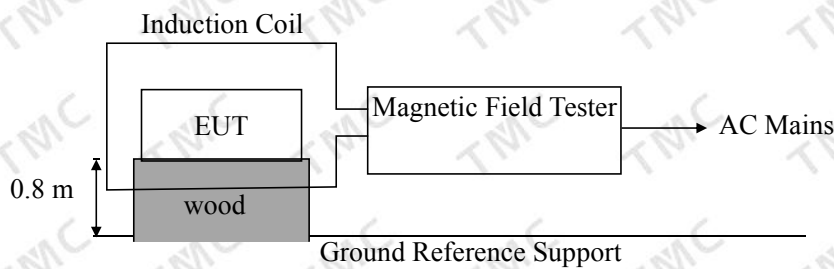
## 15. MAGNETIC FIELD IMMUNITY TEST

### 15.1. Block Diagram of Test Setup

#### 15.1.1. Block Diagram of the EUT



#### 15.1.2. Block Diagram of Test Setup



### 15.2. Test Standard

IEC 61547:2020 (EN61000-4-8: 2010)  
Severity Level 2 at 3A/m

### 15.3. Severity Levels and Performance Criterion

#### 15.3.1. Severity level

Level	Magnetic Field Strength A/m
1.	1
1.	3
2.	10
3.	30
4.	100
X.	Special

#### 15.3.2. Performance criterion: A

### 15.4. EUT Configuration on Test

The configuration of EUT are listed in Section 3.2.

## 15.5. Operating Condition of EUT

15.5.1. Setup the EUT as shown in Section 14.1

15.5.2. Turn on the power of all equipments.

15.5.3. Let the EUT work in test mode (ON) and test it.

## 15.6. Test Procedure

The EUT shall be subjected to the test magnetic field by using the induction coil of standard dimensions (1m\*1m) and shown in Section 14.1. The induction coil shall then be rotated by 90° in order to expose the EUT to the test field with different orientations.

## 15.7. Test Results

**PASS.**

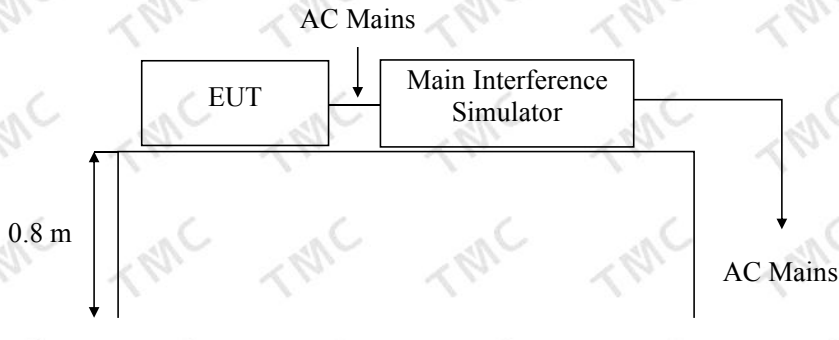
Please refer to the following page.

*Magnetic Field Immunity Test Results*  
 TMC Testing Services (Shenzhen) Co., Ltd.

<i>Applicant: KINDOM OPTO-ELECTRONIC CO., LTD</i>		<i>Test Date : May 14, 2021</i>		
<i>EUT : LED Light</i>		<i>Temperature : 26 °C</i>		
<i>M/N : KD-LWL-ALUK03-7+3W</i>		<i>Humidity : 60 %</i>		
<i>Power Supply : AC230V,50Hz</i>		<i>Test Engineer : Kelly</i>		
<i>Test Model: Lighting</i>				
<i>Test Level</i>	<i>Testing Duration</i>	<i>Coil Orientation</i>	<i>Criterion</i>	<i>Result</i>
<i>3A/M</i>	<i>5 mins</i>	<i>Horizontal</i>	<i>A</i>	<i>PASS</i>
<i>3A/M</i>	<i>5 mins</i>	<i>Vertical</i>	<i>A</i>	<i>PASS</i>
<i>Remark:</i>		<i>Test Equipment : Magnetic Field Tester MAG100</i>		

## 16. VOLTAGE DIPS AND INTERRUPTIONS TEST

### 16.1. Voltage Dips and Interruptions Test Setup



Remark: Combination wave generator and decoupling network are included in test generator.

### 16.2. Test Standard

IEC 61547:2020 (EN61000-4-11:2019)

### 16.3. Severity Levels and Performance Criterion

#### 16.3.1. Severity level

Test Level %UT	Voltage dip and short interruptions %UT	Duration (in period)
0	100	250p
40	60	5p
70	30	0.5p

#### 16.3.2. Performance criterion : C & B

### 16.4. EUT Configuration on Test

The configuration of EUT are listed in Section 3.2.

### 16.5. Operating Condition of EUT

16.5.1. Setup the EUT as shown in Section 15.1..

16.5.2. Turn on the power of all equipments.

16.5.3. Let the EUT work in test mode (SPEAKERS Playing) and test it.

#### 16.6. Test Procedure

- 1) Set up the EUT and test generator as shown on Section 15.1.
- 2) The interruptions is introduced at selected phase angles with specified duration.
- 3) Record any degradation of performance.

#### 16.7. Test Result

**PASS.**

Please refer to the following page.

*Voltage Dips And Interruptions Test Results*  
 TMC Testing Services (Shenzhen) Co., Ltd.

<i>Applicant: KINDOM OPTO-ELECTRONIC CO., LTD</i>		<i>Test Date :May 14, 2021</i>			
<i>EUT : LED Light</i>		<i>Temperature : 26 °C</i>			
<i>M/N : KD-LWL-ALUK03-7+3W</i>		<i>Humidity : 64 %</i>			
<i>Power Supply : AC230V,50Hz</i>		<i>Test Engineer : Kelly</i>			
<i>Test Model: Lighting</i>					
<i>Test Level</i>	<i>Voltage Dips &amp; Short Interruptions</i>	<i>Duration (in period)</i>	<i>Phase Angle</i>	<i>Criterion</i>	<i>Result</i>
<i>% U<sub>T</sub></i>	<i>% U<sub>T</sub></i>				
<i>70</i>	<i>30</i>	<i>10P</i>	<i>90°</i>	<i>C</i>	<i>PASS</i>
<i>0</i>	<i>100</i>	<i>0.5P</i>	<i>180°</i>	<i>B</i>	<i>PASS</i>
<i>Remark: U<sub>T</sub> is the rated voltage for the equipment.</i>			<i>Test Equipment : Main Interference Simulator (HEAFELY PLINE1610)</i>		



**APPENDIX I**

### Radiated Emission Measurement

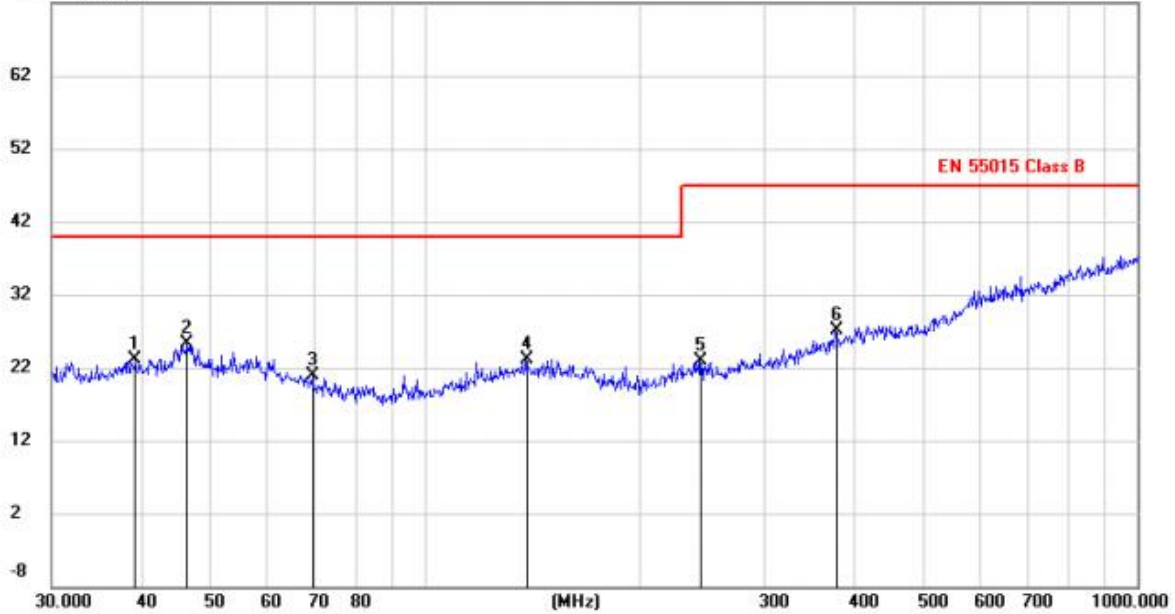
File :RE

Data #51

Date: 2021/5/14 星期

Time: 下午 5:18:05

72.0 dBuV/m



Site

 Polarization: **Horizontal**

Temperature:

Limit: EN 55015 Class B

Power:

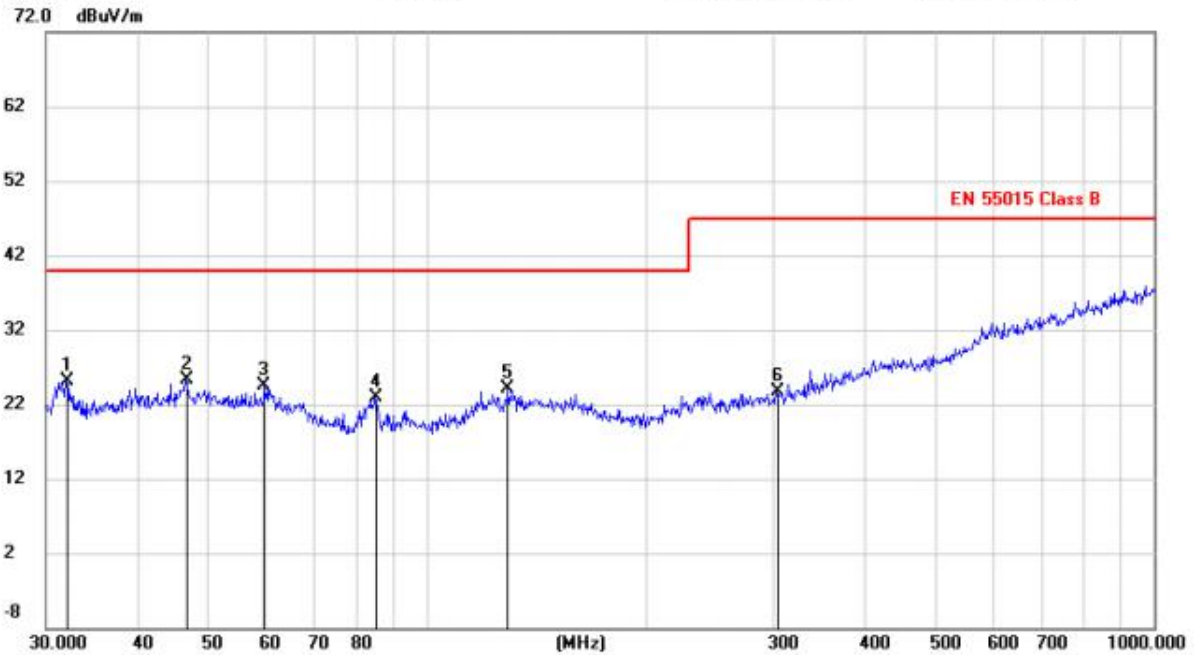
Humidity: %

Note:

No.	Mk.	Freq.	Reading Level	Correct Factor	Measurement	Limit	Over	Antenna Height	Table Degree	
		MHz	dBuV	dB	dBuV/m	dBuV/m	dB	cm	degree	Comment
1		39.2991	-0.91	23.94	23.03	40.00	-16.97	QP		
2	*	46.5030	1.42	23.87	25.29	40.00	-14.71	QP		
3		69.6005	-0.50	21.41	20.91	40.00	-19.09	QP		
4		138.8735	-0.28	23.34	23.06	40.00	-16.94	QP		
5		243.3772	0.01	22.88	22.89	47.00	-24.11	QP		
6		377.2591	0.19	26.84	27.03	47.00	-19.97	QP		

### Radiated Emission Measurement

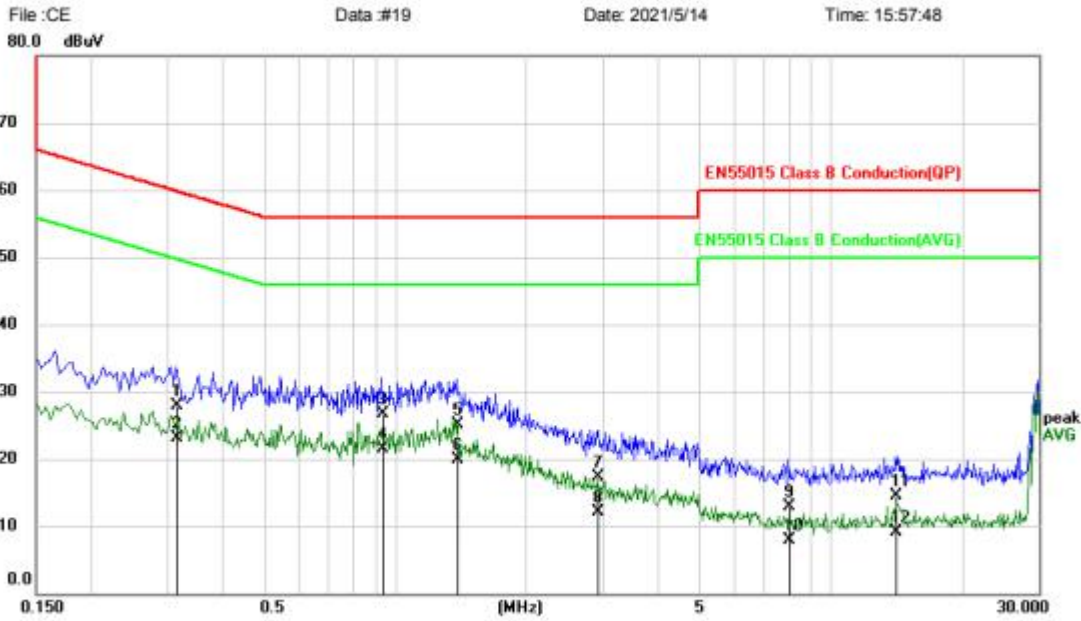
File :RE Data #52 Date: 2021/5/14 星期 Time: 下午 5:20:57



Site: Polarization: **Vertical** Temperature:   
 Limit: EN 55015 Class B Power: Humidity: %   
 Note:

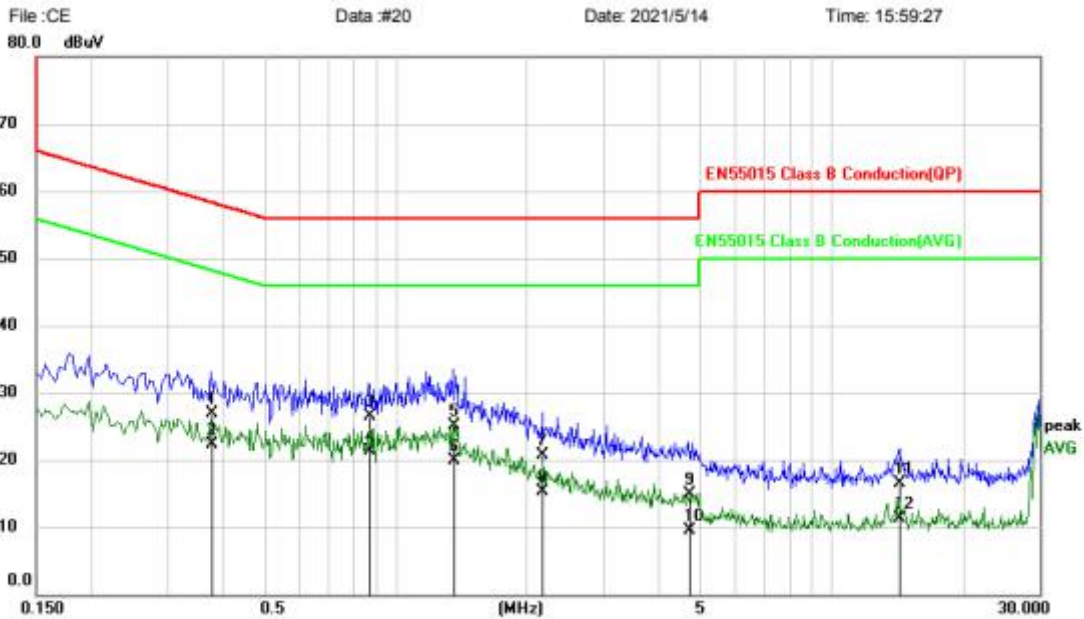
No.	Mk.	Freq.	Reading Level	Correct Factor	Measurement	Limit	Over	Antenna Height	Table Degree	
		MHz	dBuV	dB	dBuV/m	dBuV/m	dB	cm	degree	Comment
1		31.9546	2.80	22.40	25.20	40.00	-14.80			QP
2	*	46.6664	1.34	23.87	25.21	40.00	-14.79			QP
3		59.8588	1.10	23.45	24.55	40.00	-15.45			QP
4		84.9995	3.39	19.43	22.82	40.00	-17.18			QP
5		129.4677	1.19	22.94	24.13	40.00	-15.87			QP
6		302.4812	-0.31	23.98	23.67	47.00	-23.33			QP

**APPENDIX II**

**Conducted Emission Measurement**


Site: Phase: **L1** Temperature:   
 Limit: EN55015 Class B Conduction(QP) Power: Humidity: %   
 Note:

No.	Mk.	Freq. MHz	Reading Level dBuV	Correct Factor dB	Measure- ment dBuV	Limit dBuV	Over dB	Detector	Comment
1		0.3140	18.04	9.85	27.89	59.86	-31.97	QP	
2		0.3140	13.30	9.85	23.15	49.86	-26.71	AVG	
3		0.9340	16.81	9.91	26.72	56.00	-29.28	QP	
4	*	0.9340	11.58	9.91	21.49	46.00	-24.51	AVG	
5		1.3860	15.10	9.93	25.03	56.00	-30.97	QP	
6		1.3860	9.89	9.93	19.82	46.00	-26.18	AVG	
7		2.9180	7.39	9.97	17.36	56.00	-38.64	QP	
8		2.9180	2.08	9.97	12.05	46.00	-33.95	AVG	
9		7.9980	2.75	10.12	12.87	60.00	-47.13	QP	
10		7.9980	-2.17	10.12	7.95	50.00	-42.05	AVG	
11		14.0900	4.25	10.32	14.57	60.00	-45.43	QP	
12		14.0900	-1.20	10.32	9.12	50.00	-40.88	AVG	

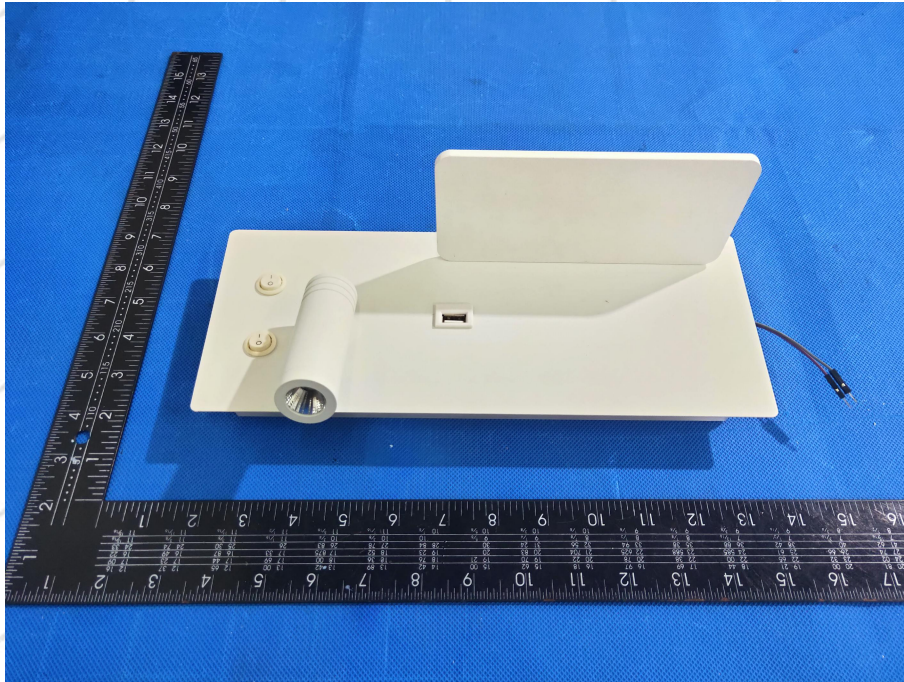
**Conducted Emission Measurement**


Site:      Phase: **N**      Temperature:      Humidity: %  
 Limit: EN55015 Class B Conduction(QP)      Power:      Note:

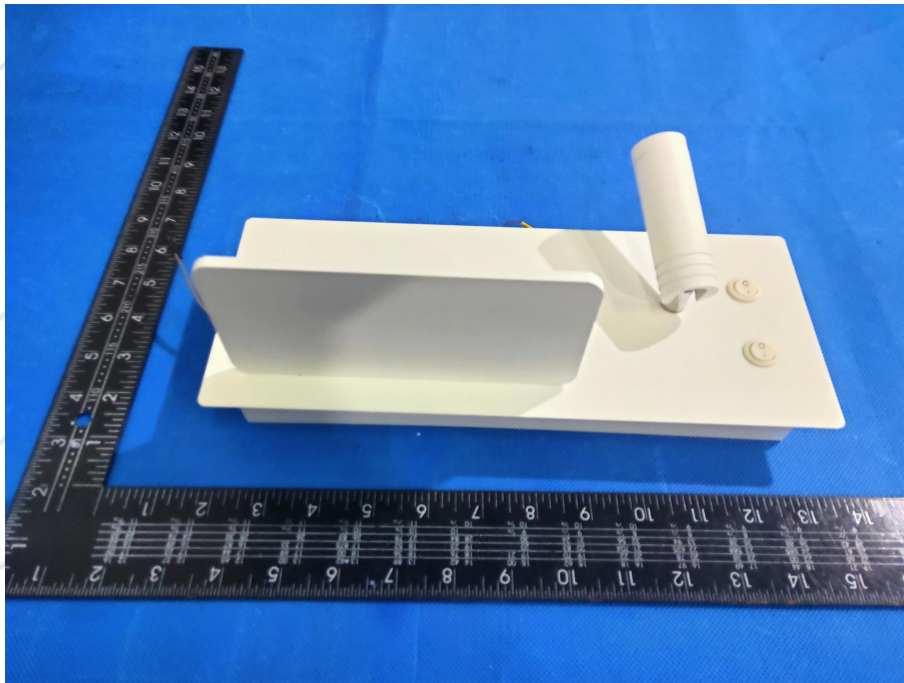
No.	Mk.	Freq. MHz	Reading Level dBuV	Correct Factor dB	Measure- ment dBuV	Limit dBuV	Over dB	Detector	Comment
1		0.3780	17.22	9.78	27.00	58.32	-31.32	QP	
2		0.3780	12.54	9.78	22.32	48.32	-26.00	AVG	
3		0.8700	16.66	9.83	26.49	56.00	-29.51	QP	
4	*	0.8700	11.48	9.83	21.31	46.00	-24.69	AVG	
5		1.3580	15.21	9.85	25.06	56.00	-30.94	QP	
6		1.3580	10.02	9.85	19.87	46.00	-26.13	AVG	
7		2.1740	10.90	9.87	20.77	56.00	-35.23	QP	
8		2.1740	5.41	9.87	15.28	46.00	-30.72	AVG	
9		4.7180	5.01	9.94	14.95	56.00	-41.05	QP	
10		4.7180	-0.41	9.94	9.53	46.00	-36.47	AVG	
11		14.3340	6.14	10.29	16.43	60.00	-43.57	QP	
12		14.3340	0.94	10.29	11.23	50.00	-38.77	AVG	

**APPENDIX III**

**Photo 1 General appearance of the EUT**

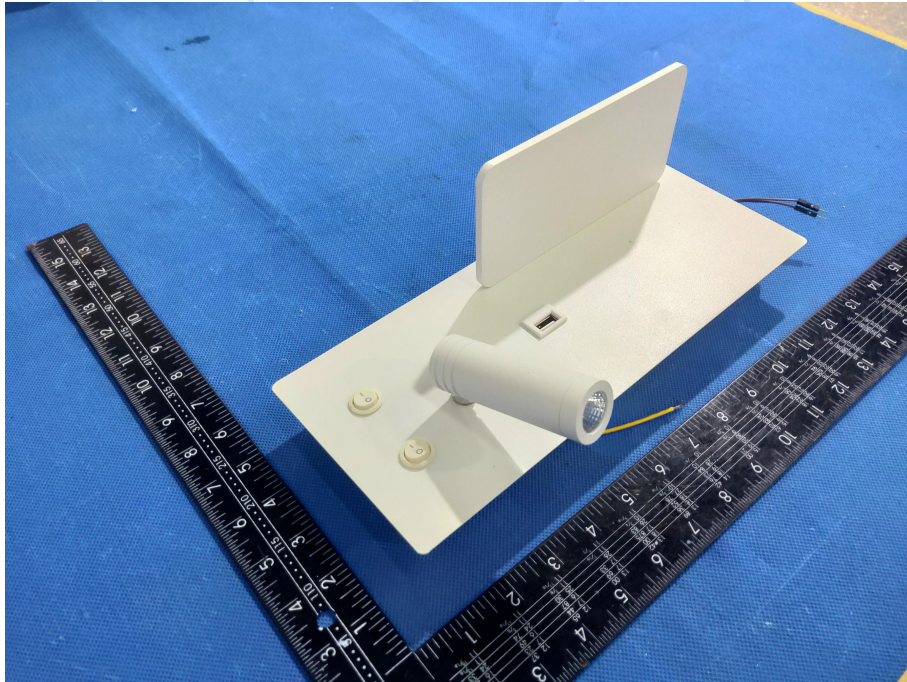


**Photo 2 General appearance of the EUT**

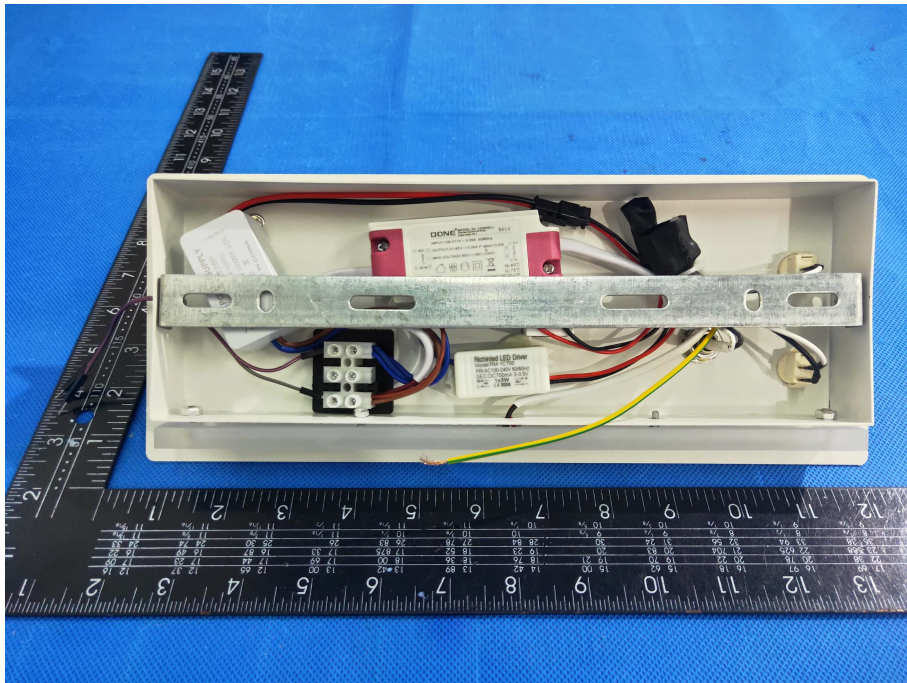




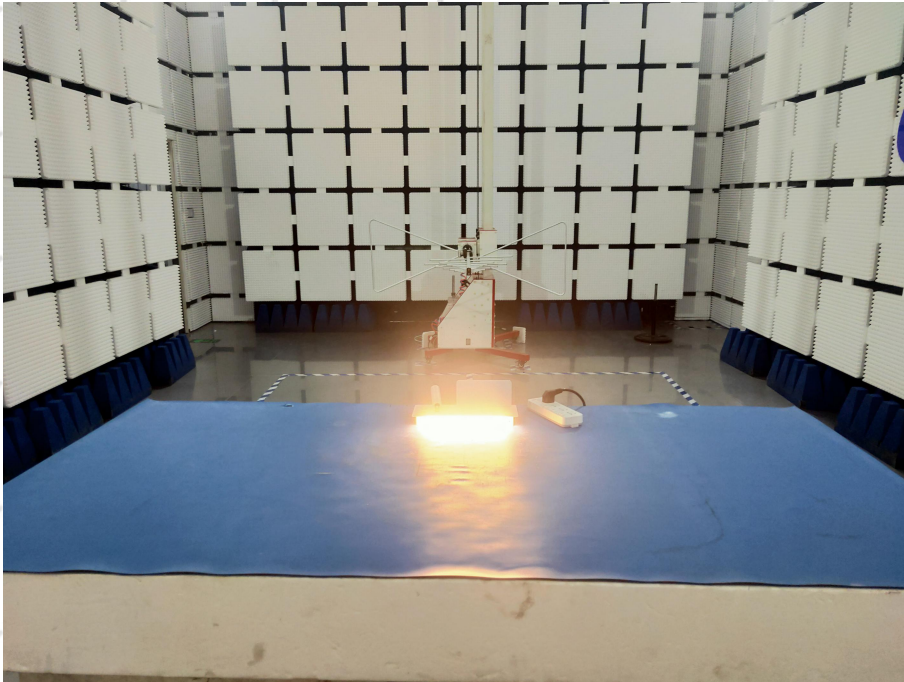
**Photo 3 General appearance of the EUT**



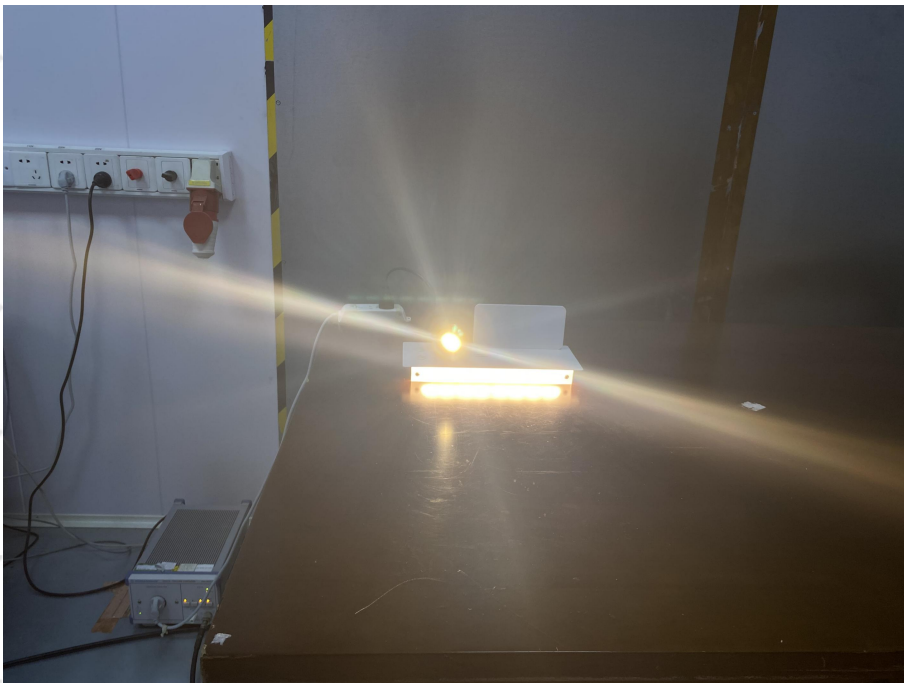
**Photo 4 General appearance of the EUT**



**Photo 5 Radiated Emission Test**



**Photo 6 Conducted emission test**



**END OF REPORT**