

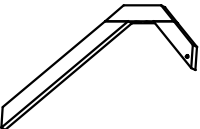
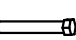
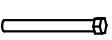




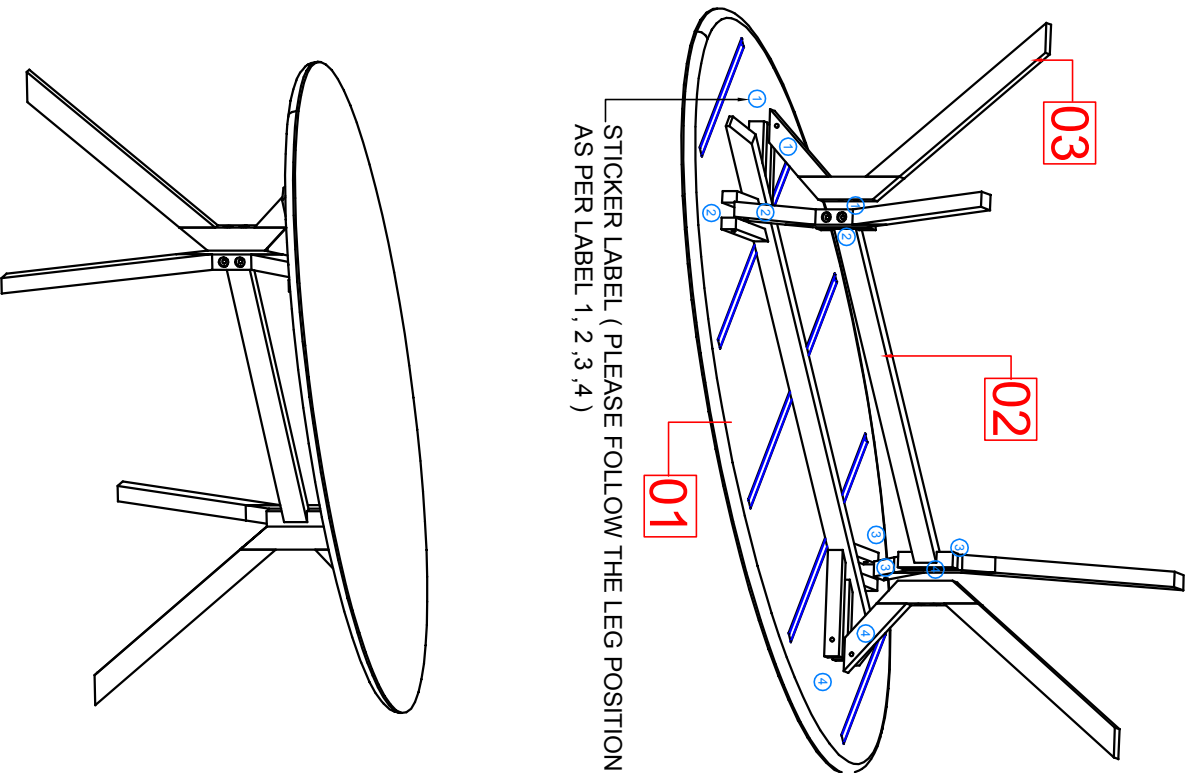
ASSEMBLY INSTRUCTION DINING TABLE 240 X 110 X 78 H

LIST OF PART FOR 1 SET

CODE	PICTURE	PART	QTY
01		TOP TABLE	1
02		CONNECTION PARTS OF LEGS	1
03		LEG	4

LIST OF HARDWARE FOR 1 SET

CODE	PICTURE	PART	QTY
A		HEXA BOLT M8 X 7 CM	8
B		HEXA BOLT M8 X 9 CM	4
C		WASHER	12
D		SPANNER	1



ASSEMBLY COMPLETED