

# Art.-Nr.: 6739-12N

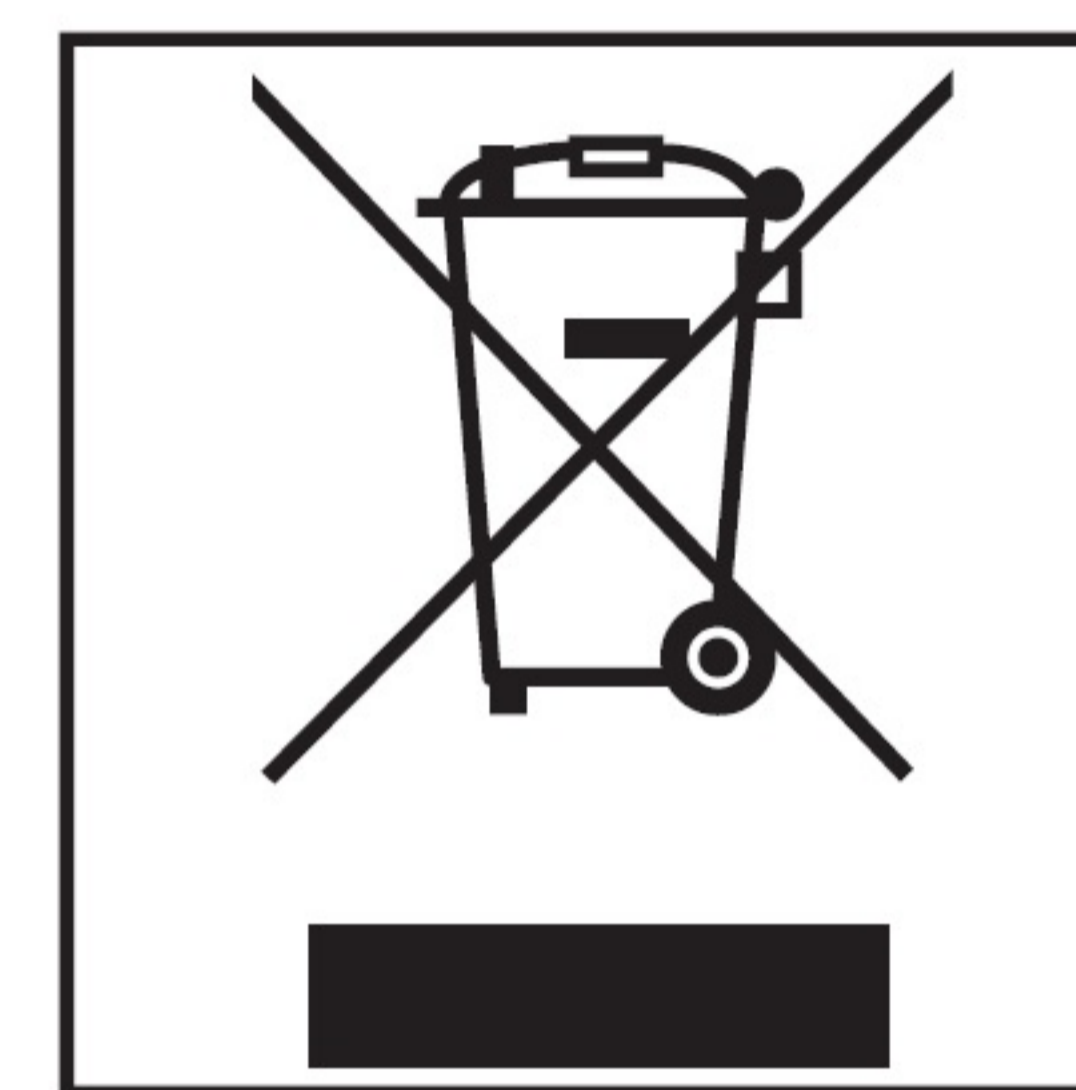
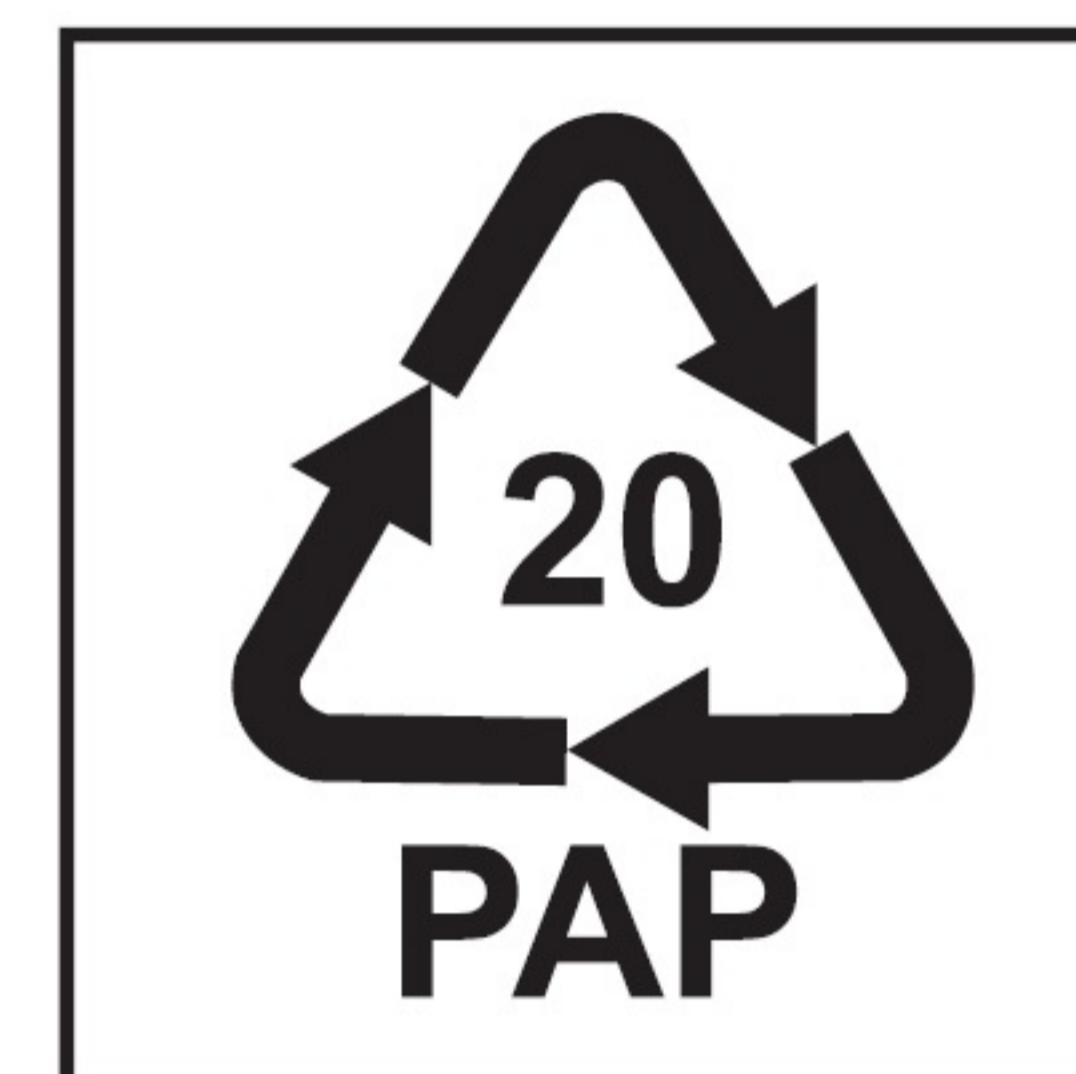
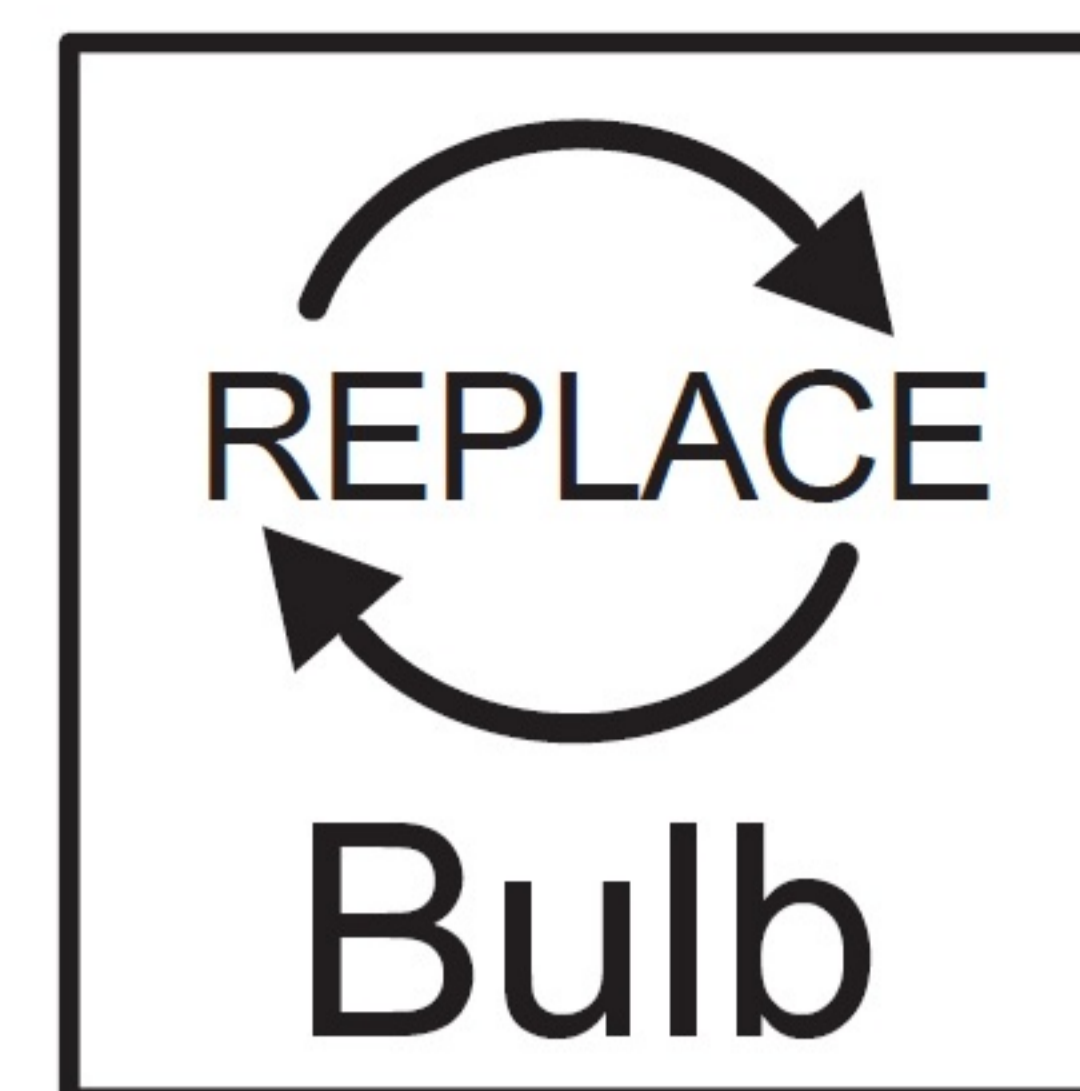
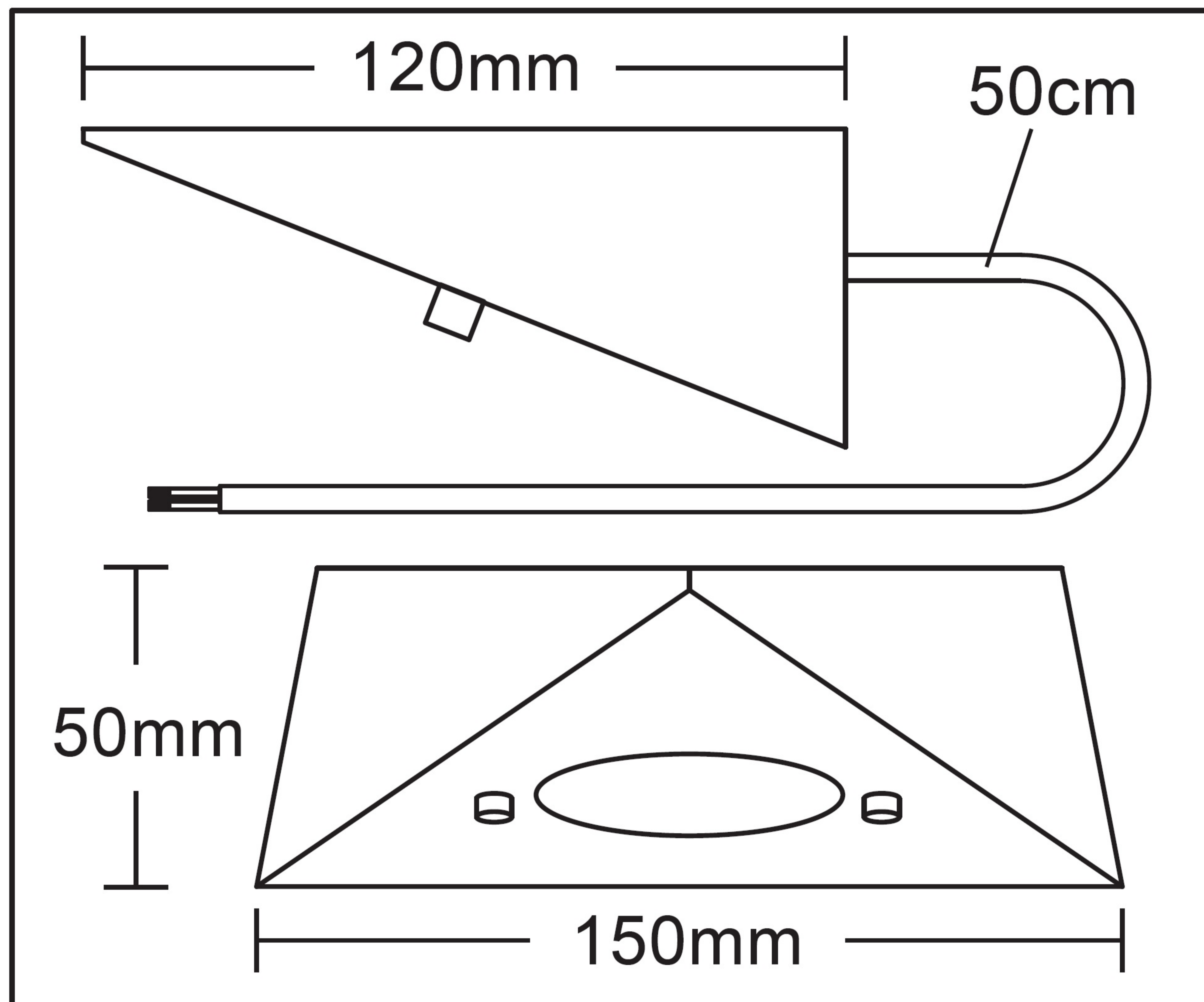
Downlight for kitchen

Satin effect

Input 230V~50Hz

MAX. 6.0W

incl LED-modul (4.8W/3000k)



Trango GmbH  
Jakobsberg 1  
D-59929 Brilon  
[www.trango.de](http://www.trango.de)

