



caution, risk of fire

**WARNING:**

Appliance shall be installed, operated and stored in a room with a floor area larger than 4m<sup>2</sup>.



## DEHUMIDIFIER

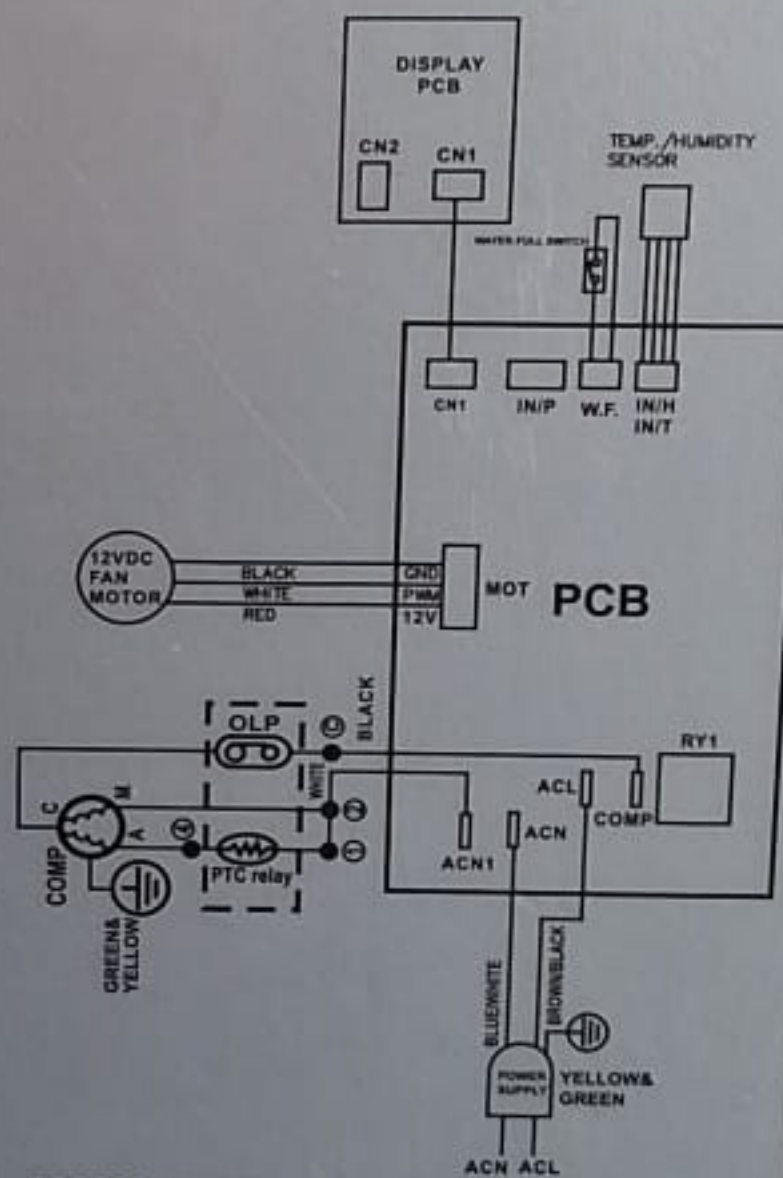
MODEL	PD20R-06AE
POWER SOURCE	220-240V~50Hz
MOISTURE REMOVAL (30°C RH80%)	20 liters/day
RATED INPUT POWER	380W
TEMP.RANGE FOR USE	5 - 35°C
REFRIGERANT	R290, 0.047kg
PERMISSIBLE EXCESSIVE OPERATING PRESSURE	
SUCTION:	0.6MPa
DISCHARGE:	2.5MPa
MAXIMUM ALLOWABLE PRESSURE:	4.0MPa
DIMENSION(MM)	310Wx235Dx500H
SERIAL NO.:	327 PD20R-06AE 24010011



MADE IN CHINA

Manufacturer's / Importer name: Zhongshan Lianchang Co., Ltd.  
Address: Factory B, Changmingshui Industrial Park, No. 23, Changyi Road, Wuguishan, Zhongshan City, Guangdong, China, 528458

## WIRING DIAGRAM



630500-AY-70