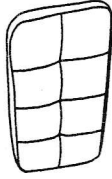
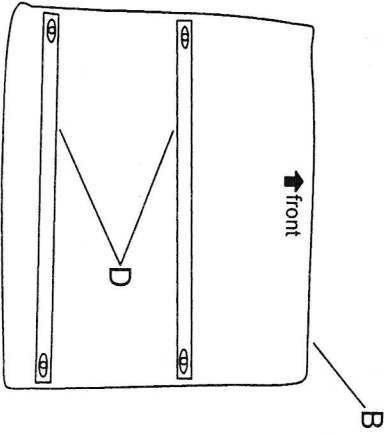
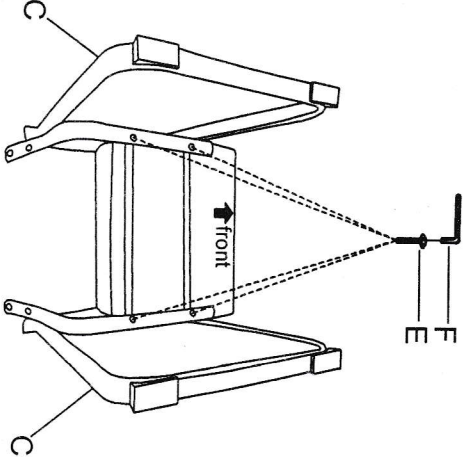
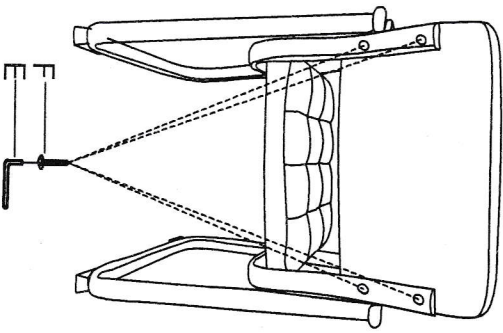

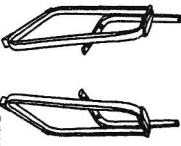
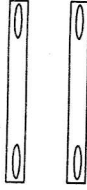
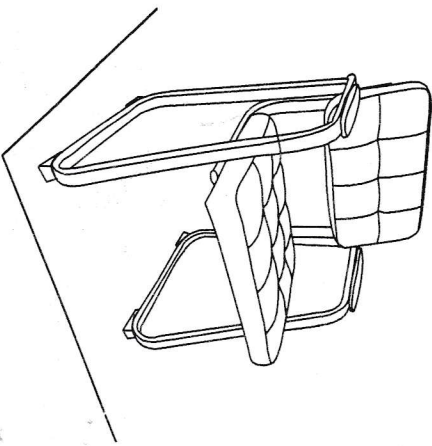
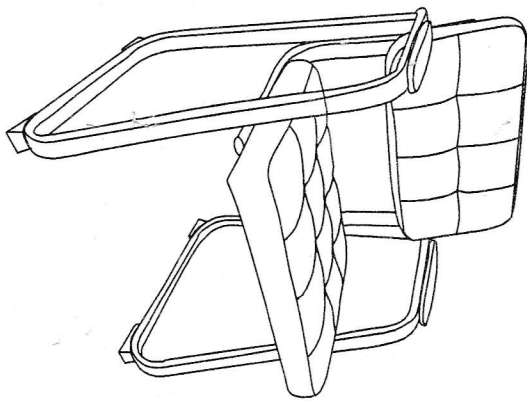

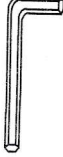


ASSEMBLY INSTRUCTION

<p>A</p>  <p>back</p> <p>1 pc</p>	<p>1</p>  <p>front</p> <p>back of the seat</p>	<p>2</p>  <p>front</p> <p>Do not tighten bolts until all bolts going into nuts.</p>	<p>3</p>  <p>Do not tighten bolts until all bolts going into nuts.</p>
<p>B</p>  <p>seat</p> <p>1 pc</p>			
<p>C</p>  <p>armrest</p> <p>1 set</p>			
<p>D</p>  <p>iron crosspiece</p> <p>2 pcs</p>	<p>4</p>  <p>Make sure the legs frame are level.</p>	<p>5</p> 	
<p>E</p>  <p>M6*35mm bolt</p> <p>8 pcs</p>			
<p>F</p>  <p>Allen Key</p> <p>1 pc</p>			