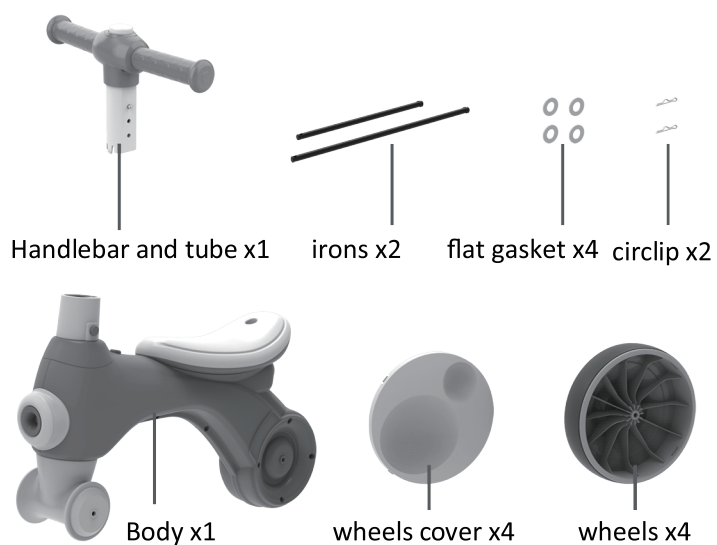


Part name:



Warning

- This sliding bike must be installed and checked before ride, by adults.
- Check all the potential dangerous parts before ride, such as sharp edge.
- This product should be used by age from 37 to 72 months. Kids below 36-month old are not allowed to ride this scooter.
- The product should be used under the supervision of the adults and it is not allowed to ride on the traffic road.
- Do not wash with water, please clean with dry soft cloth.
- The maximum load is 20kg, children who is overage or overload are not allowed to ride this bike.
- We don't allow any modification to this product after it is sold. Any adjustment cause any accident, we will not undertake it.

Execution standard

- GB 6675.1-2014 «TOY SAFETY PART I: Basic specification»
- GB 6675.2-2014 «TOY SAFETY PART II: Mechanical and physical properties»
- GB 6675.3-2014 «TOY SAFETY PART III: Flammability test»
- GB 6675.4-2014 «TOY SAFETY PART IV: Migration of specific elements»
- GB 19865-2005 «ELECTRIC TOY SAFETY PART» (once appropriate)

Inspection and maintenance

- Before using, check all the main parts are in good condition. Make sure the shell, the screws and other little parts are not being damaged. Secure all the parts before every riding and stop using after all has been repaired.
- Add lubricating oil to the iron parts regularly, to avoid them get rusty.
- Keep the scooter away from the fire and the sun. Keep it flat when it is not being used. Keep it inside or cover it with waterproof cover in humid weather. Keep away from hot objects, such as stove and heater, it may cause plastic melted.
- Please clean scooter with a dry soft cloth, or use non-waxy furniture polishing material to wipe the plastic components. Do not use chemical solvent, soap or water to clean the plastic parts.
- Do not ride it under rain or snow day.
- Once what you receive is different from above picture, please follow the material objects.
- We may improve the product of the components or outfit without notice, in order to make it fit children more.
- Please keep this instruction carefully for your future use.

Product name:	Children Sliding Bike
Applicable age:	37-72 months
Load:	20kg
Type:	S01

Zhejiang JBL children's products Co., Ltd

Manufacturer: Zhejiang JBL children's products Co., Ltd
Address: NO.118, JINSHENG ROAD, XINCANG VILLIAGE, PINGHU CITY, ZHEJIANG PROVINCE, CHINA

**INSTRUCTION
INSTALLATION GUIDE**

TYPE:S01

**CHILDREN
SLIDING BIKE**



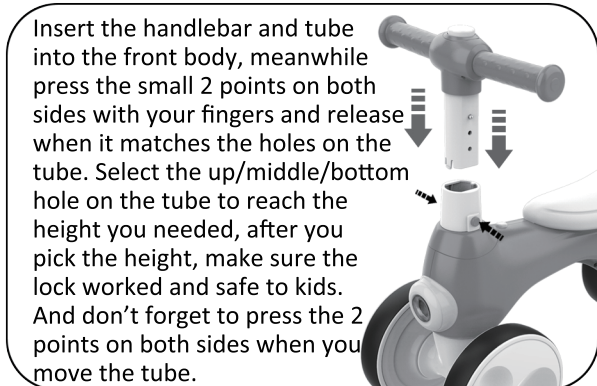
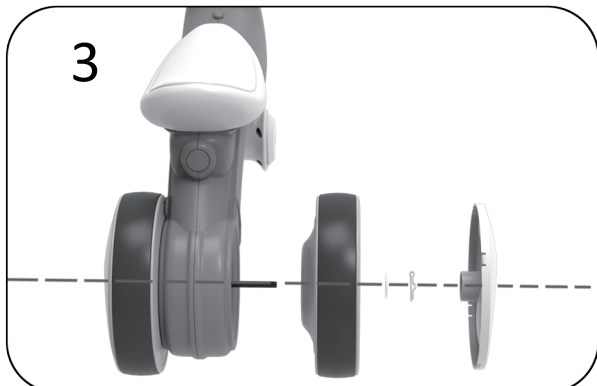
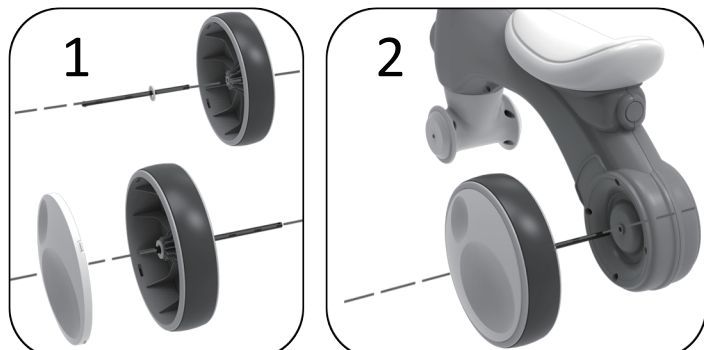
PICTURE IS FOR YOUR REFERENCE ONLY

SIZE: 56x30x45CM

Please read the manual carefully before use

Installation manual

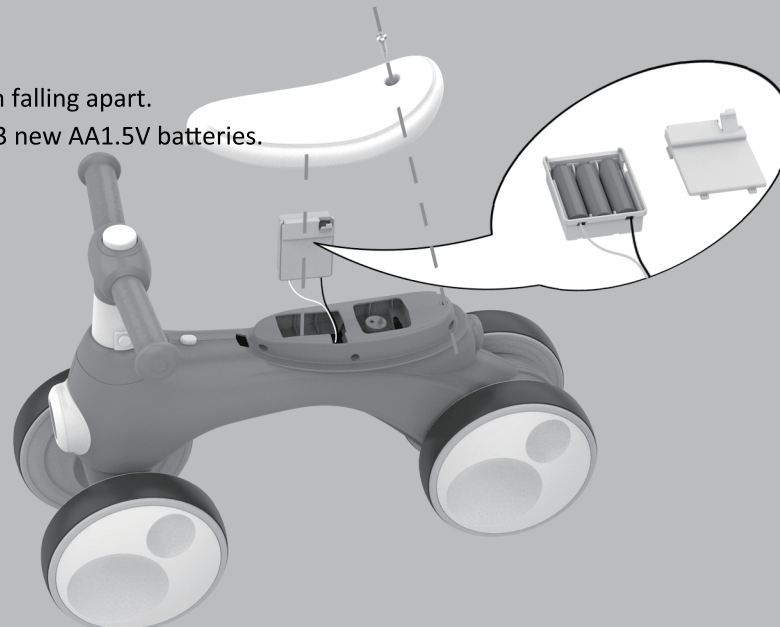
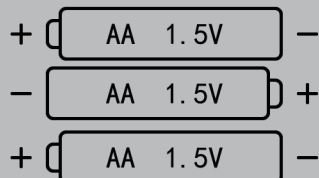
- Take out the iron, insert one end into wheel and the other end into the gasket as figure 1 (pay attention to distinguish the left and right end), and put the wheel cover on the gasket end and fasten it.
- Put the assembled wheel into the rear bike body as figure 2.
- Assemble the other wheel and insert into the iron as figure 3.
- Repeat the above step to finish front wheels.



Insert the handlebar and tube into the front body, meanwhile press the small 2 points on both sides with your fingers and release when it matches the holes on the tube. Select the up/middle/bottom hole on the tube to reach the height you needed, after you pick the height, make sure the lock worked and safe to kids. And don't forget to press the 2 points on both sides when you move the tube.

Battery replacement (optional)

Using screw driver to open the seat as left picture. Take out battery case lightly to prevent the cable from falling apart. Open the battery box, take out 3 batteries and put in 3 new AA1.5V batteries.



Dry battery warning (optional)

1. Do not change the structure or circuit system of the product without authorization.
2. Do not use the toy for other purposes.
3. Place the battery with correct polarity.
4. Do not short circuit the batteries.
5. Non-rechargeable batteries are not allowed to be charged.
6. Chargeable batteries should be charged under adult supervision.
7. Old and new batteries, and different types of batteries are not allowed to be used together.
8. The exhausted batteries should be removed from the product and throw into the toxic wastes box to prevent kids from playing with them.
9. The batteries should be taken out of the bike when it is not used for a long time, and put the batteries in a safe placement and make sure kids cannot reach them.

Bubble liquid replacement instruction (optional)

Use a screwdriver to open the seat. Take out the bottle, unscrew the cap, add new bubble liquid into the bottle. Screw the cap carefully and make sure the liquid is not leak out, then put it back to its original place and fasten the seat.

Notice: supplement bubble liquid is not provided.



Product function

