



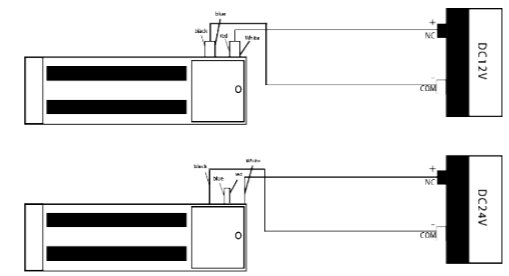
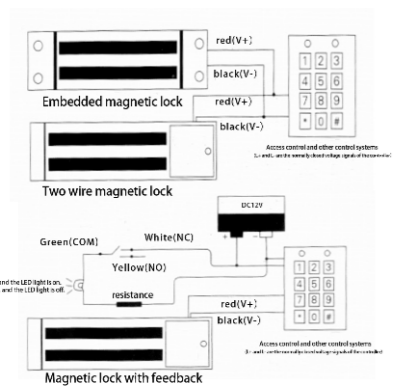
Product Manual

Suitable for 180KG models

正面

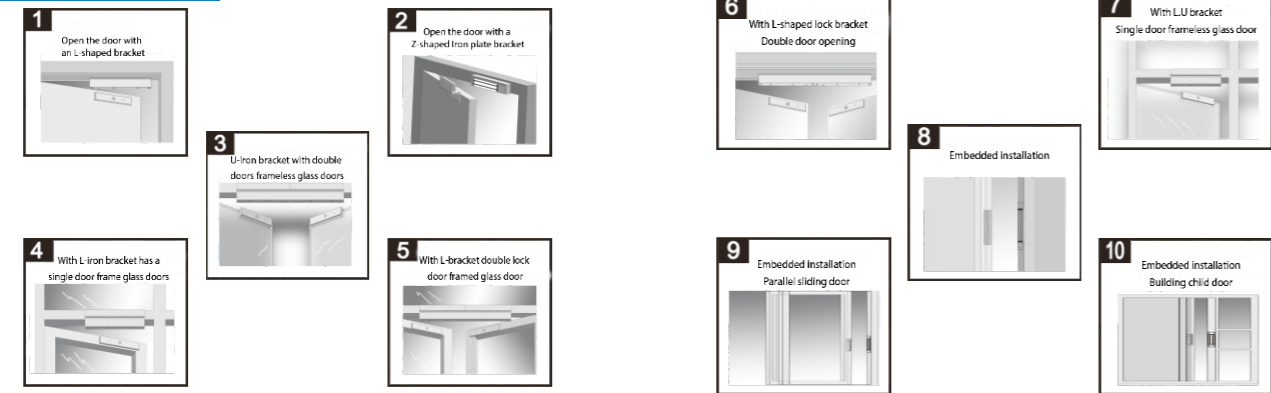
Troubleshooting

- A. After power-on, the indicator light is not lit.
 1> If the "Power Selection" of the board is set to 12V; please check if the power supply has DC12V, current above 300-400mA.
 2> If the "Power Selection" of the board is set to 24V; please check if the power supply has DC24V, current above 360-420mA.
- B. After transmission, the light did not shine, but it will not attract iron lock.
 1> If the power is insufficient, check if the power is sufficient.
 2> The electromagnetic lock and the iron block may not be tightly combined. Please adjust the angle and position.
 3> may be poor quality transformer, causing interference, replace the line with the specifications of the power supply.
- C. After power indicator light, lock suck iron, but the lack of suction.
 1> There may be insufficient electromagnetic lock and iron block. Please check if there is any dust, iron filings and other miscellaneous stains in the middle.
 2> may be the electromagnetic lock is not properly aligned with the iron, only a portion of the adsorbed iron, please adjust the position.
 3> may be insufficient voltage or Jumper jump wrong, please check.
- D. After transmission, the lock take some time to suck (applicable to each series-type magnetic locks)
 1> may delay timer knob to adjust too long, counterclockwise recall.
 2> It may be too long for the external controller, please adjust.



Ordinary 4-wire magnetic lock

Typical Installation method

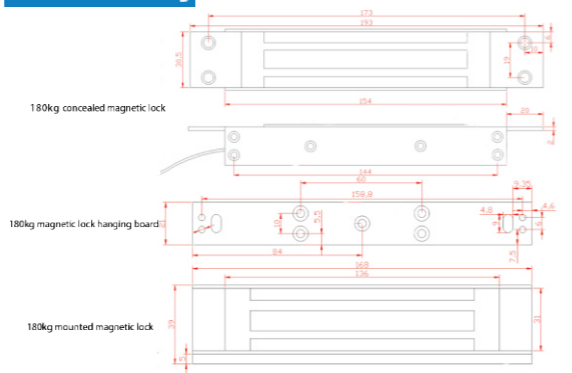


Introduction

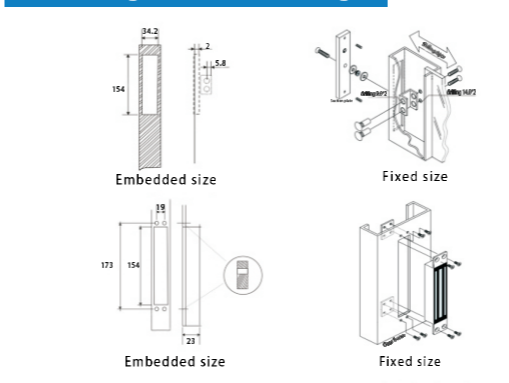
The company supplies include 180KG 280KG 320KG so many different specifications of the products tensile strength; with lock status indicator, with unlock delay, with feedback and so on features changing and embedded types of a variety of different ways to install a full range of magnetic locks. Compatible include access control system, building intercom control systems, fire control systems and so on any access control system. Suitable for installation in fire doors, on almost all types of wooden doors, stainless steel doors, steel doors, glass doors frames. The modular design makes the product more functions easily implement the installation, upgrade, and maintenance.

- ☆ Please read the following before installing the magnetic lock :
 - Carefully lift to avoid damage to the surface of the magnetic lock or iron block and reduce its function
 - Be sure to fix the magnetic lock on the door frame, and then attach the iron block to the door leaf with the additional screw package parts. If the door cannot be closed, move the iron block slightly, and match the magnetic lock on the door with the iron block as the center.
 - This device can be used normally when the door is closed.
 - All screws are locked.
- ☆ Electrical parameter :
 - Pull type : 180GD, 180A, 180GF, 180GS, 180GSF
 - Operating Voltage : 12VDC Working current : 320-400mA
 - Operating Voltage : 24VDC Working current : 380-420mA
 - Way of working : Power on lock, power off and unlock.
 - Installation method : concealed(A), mounted(G)
 - Additional features : indicator light(D), feedback(F)

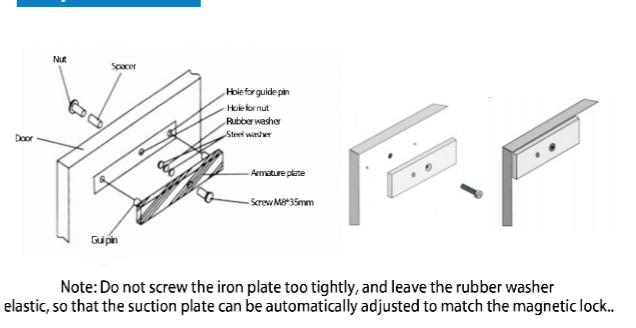
Dimensional drawing



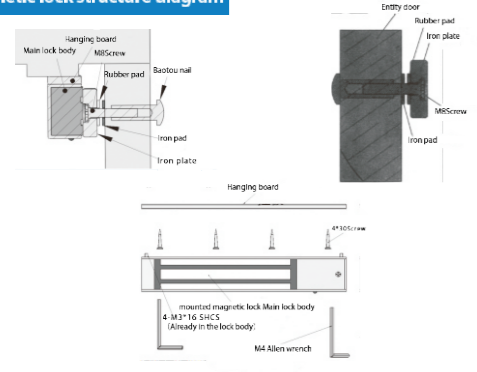
Concealed magnetic lock Installation diagram



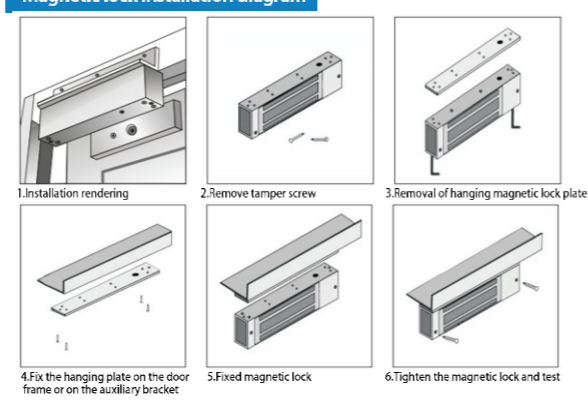
Iron plate Installation



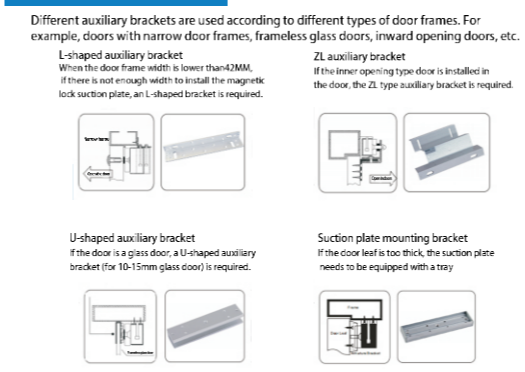
Magnetic lock structure diagram



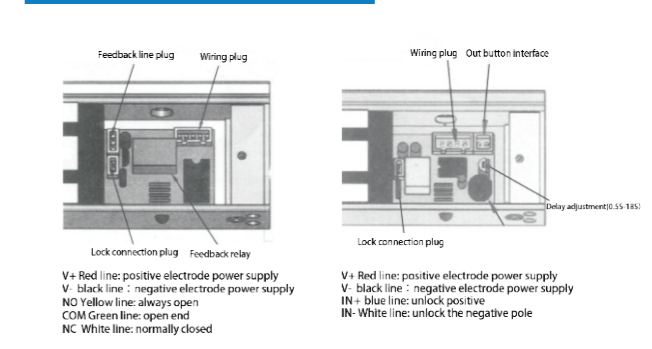
Magnetic lock installation diagram



Optional auxiliary bracket



Circuit board structure and wiring diagram



背面