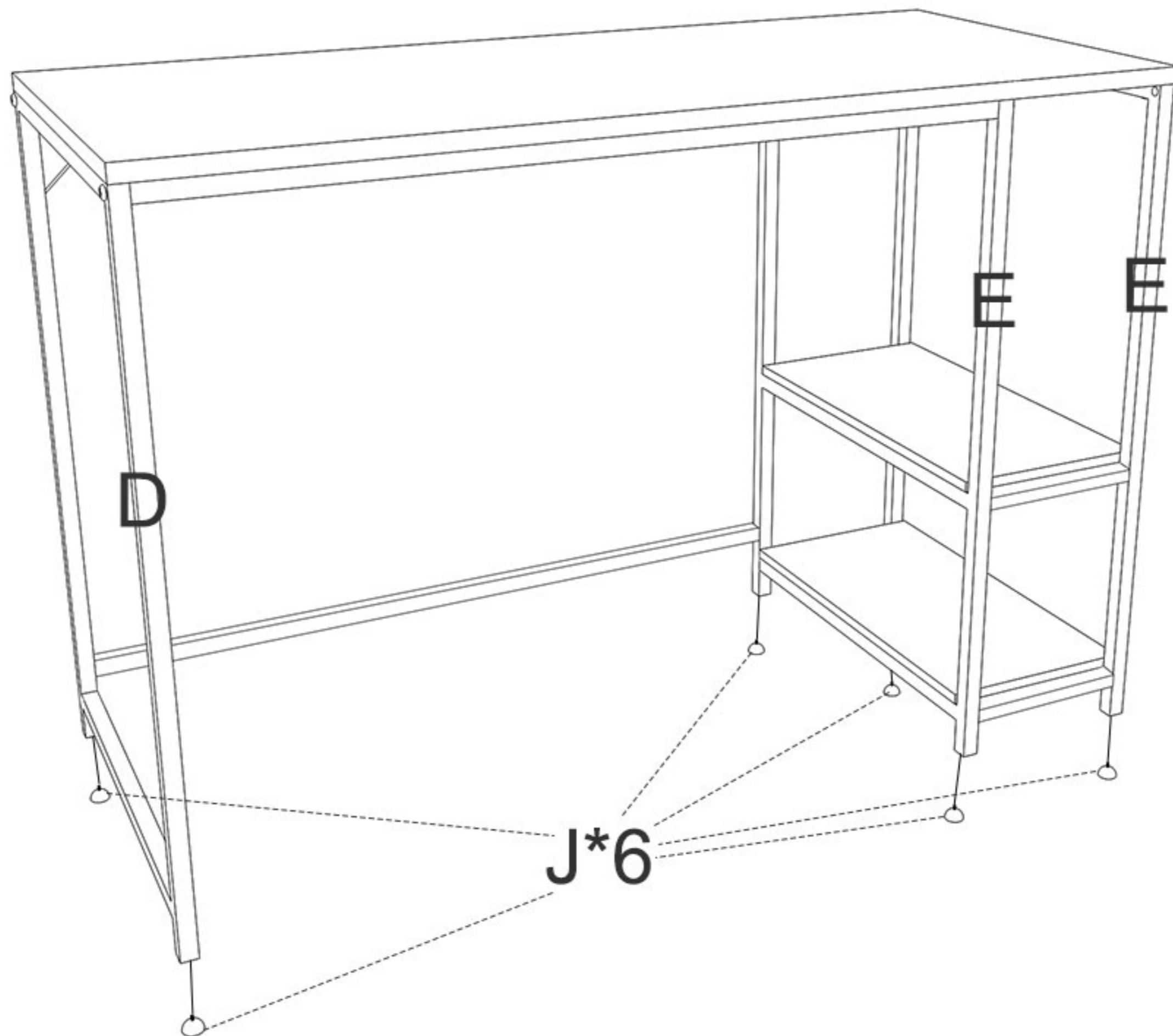
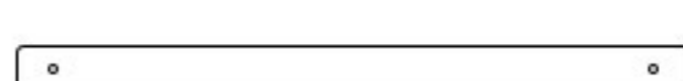
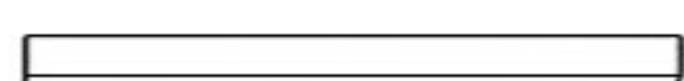
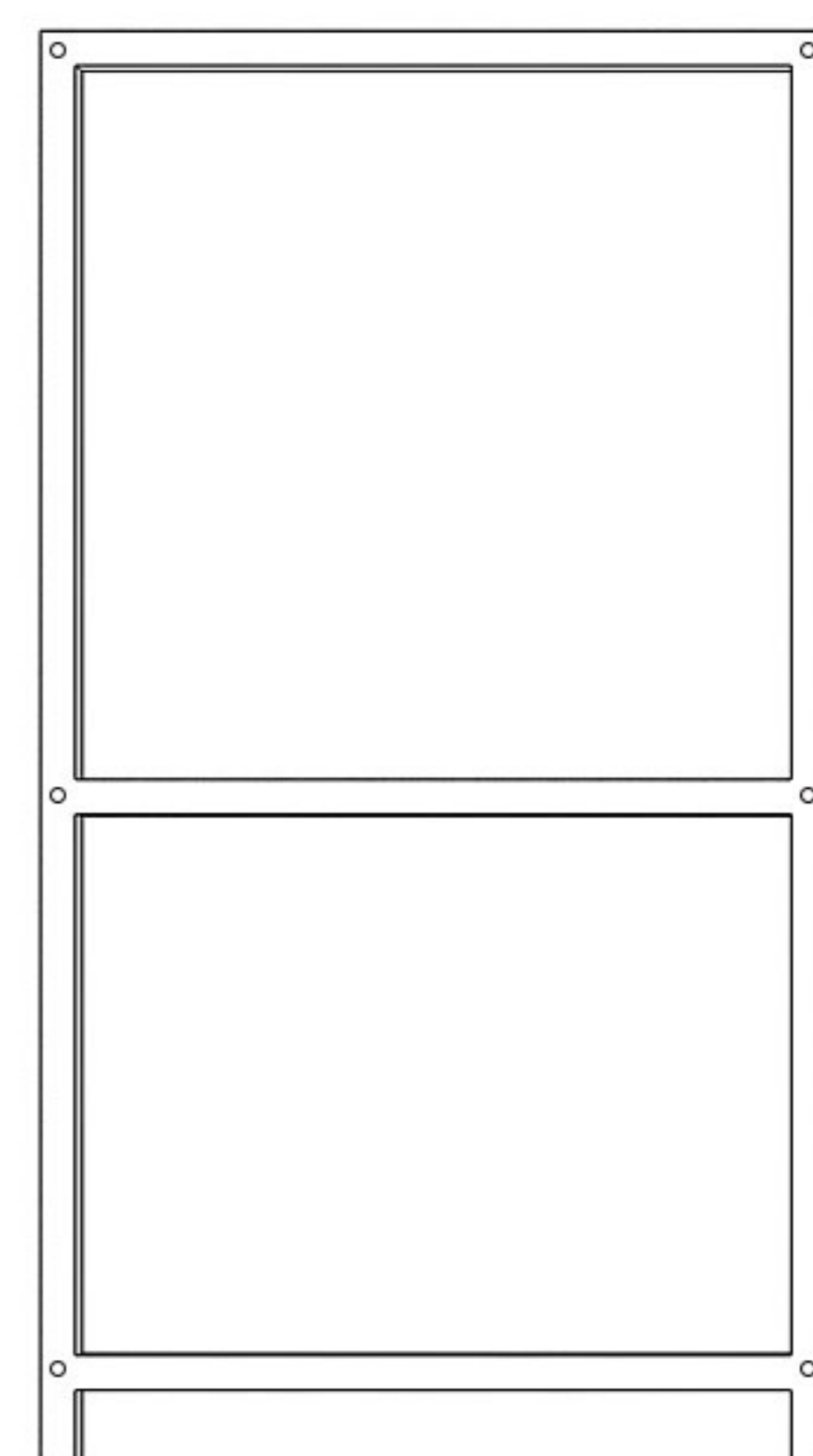
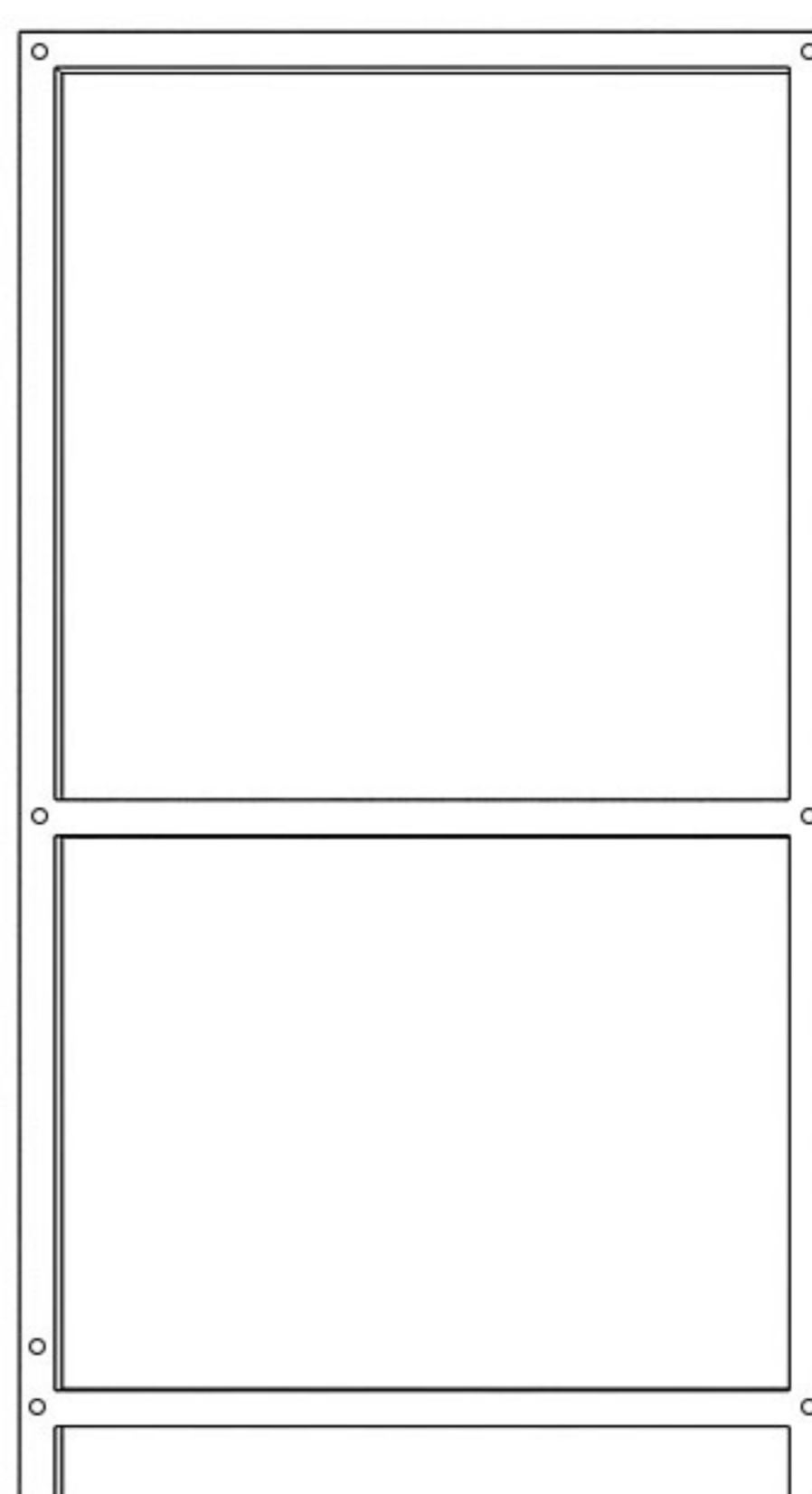
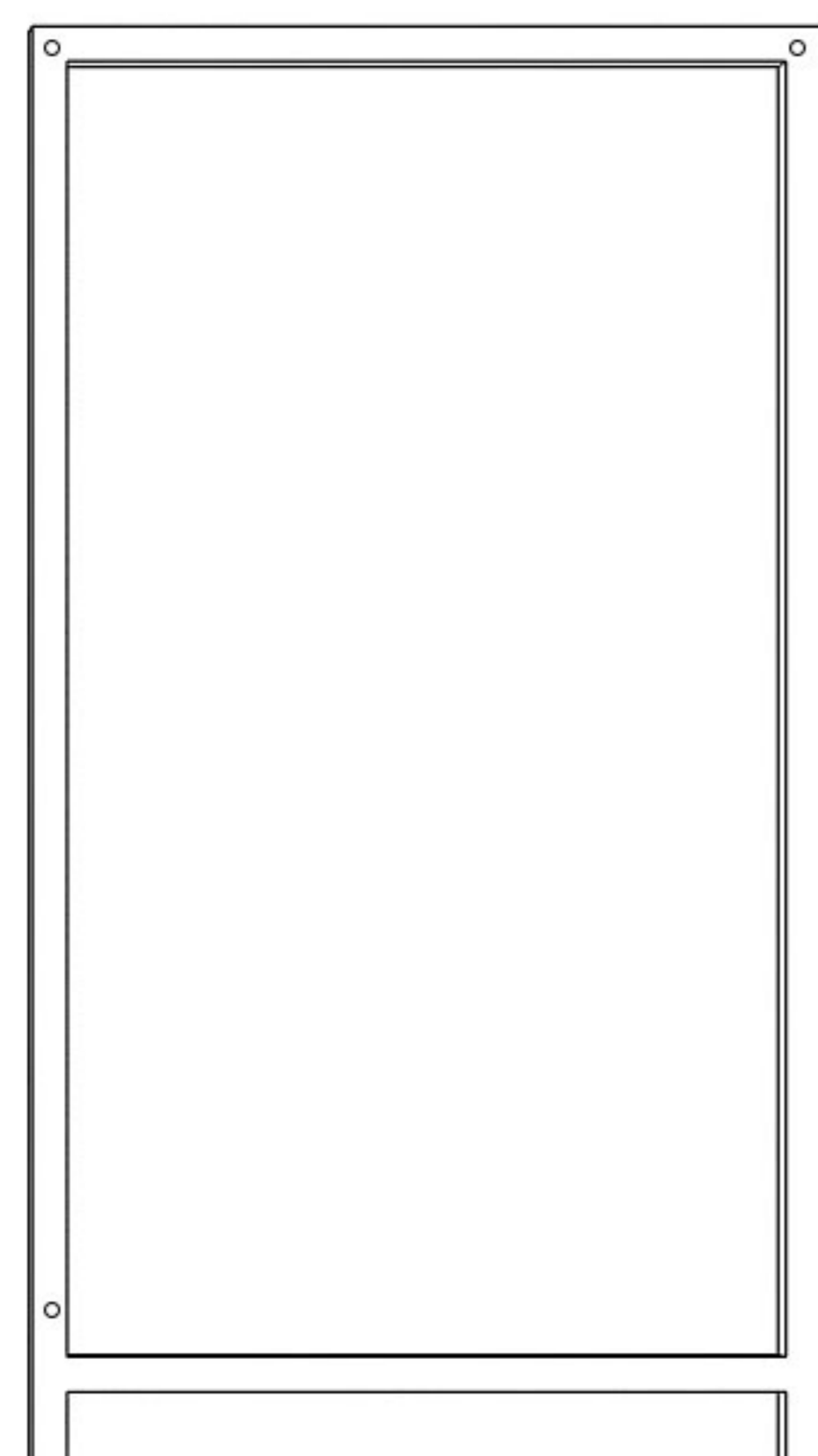
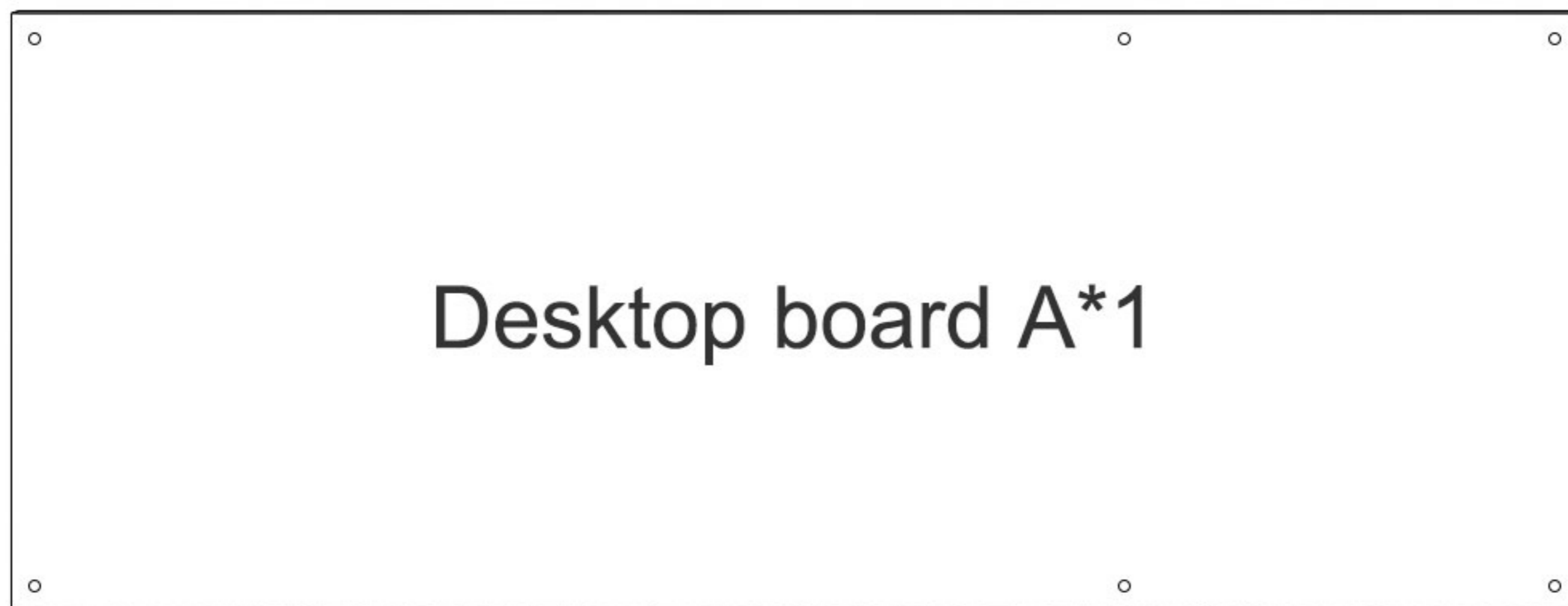


# Bayt

## DESK



# 01 / Installation Manual

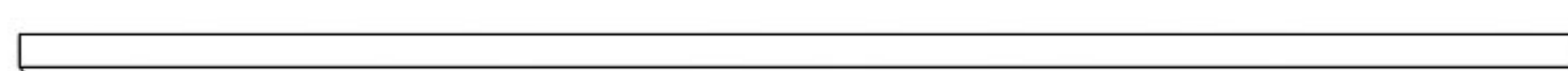


Bracket G\*4

Bracket K\*2

Screw L\*4

Screw I\*14

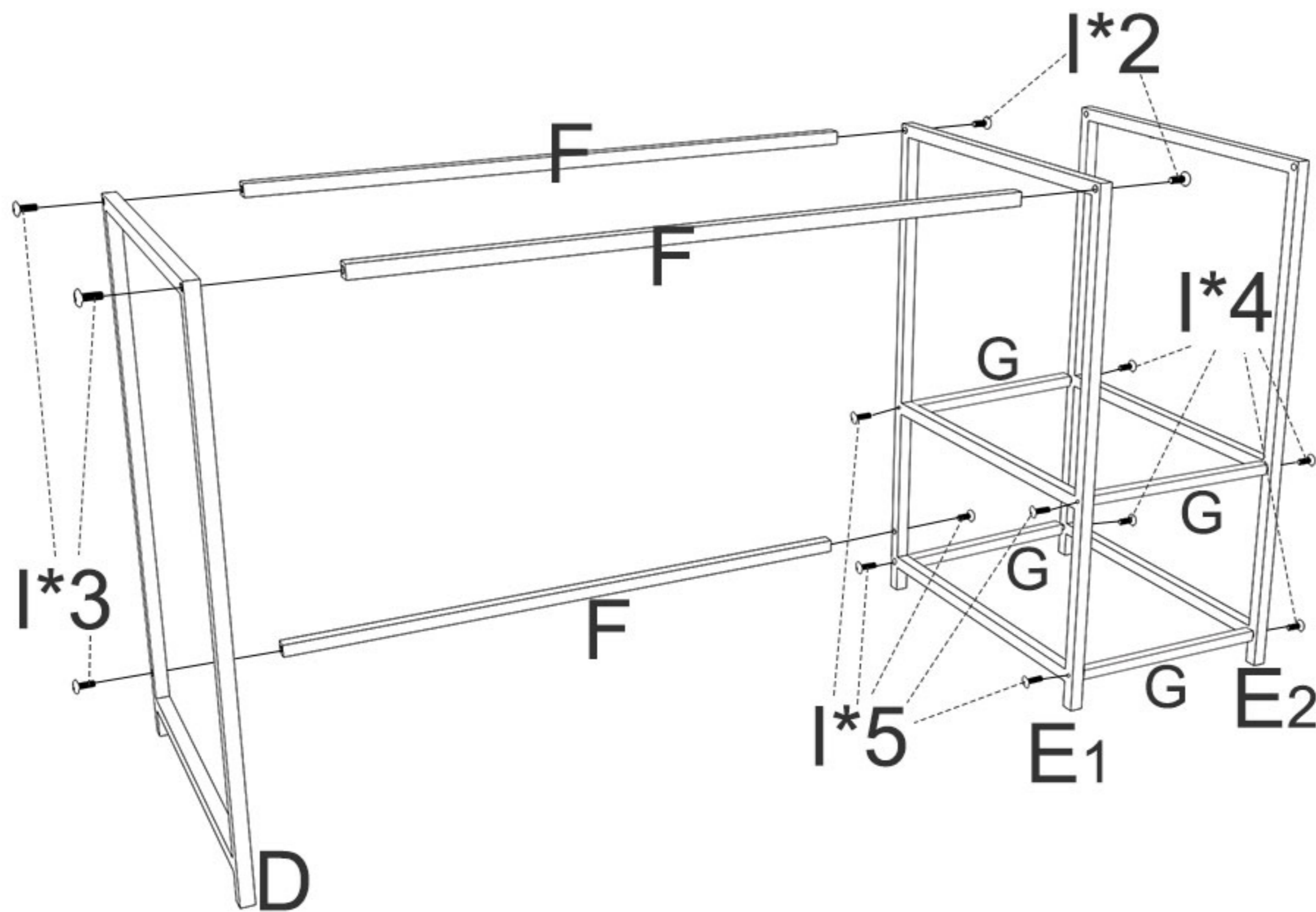


Bracket F\*3

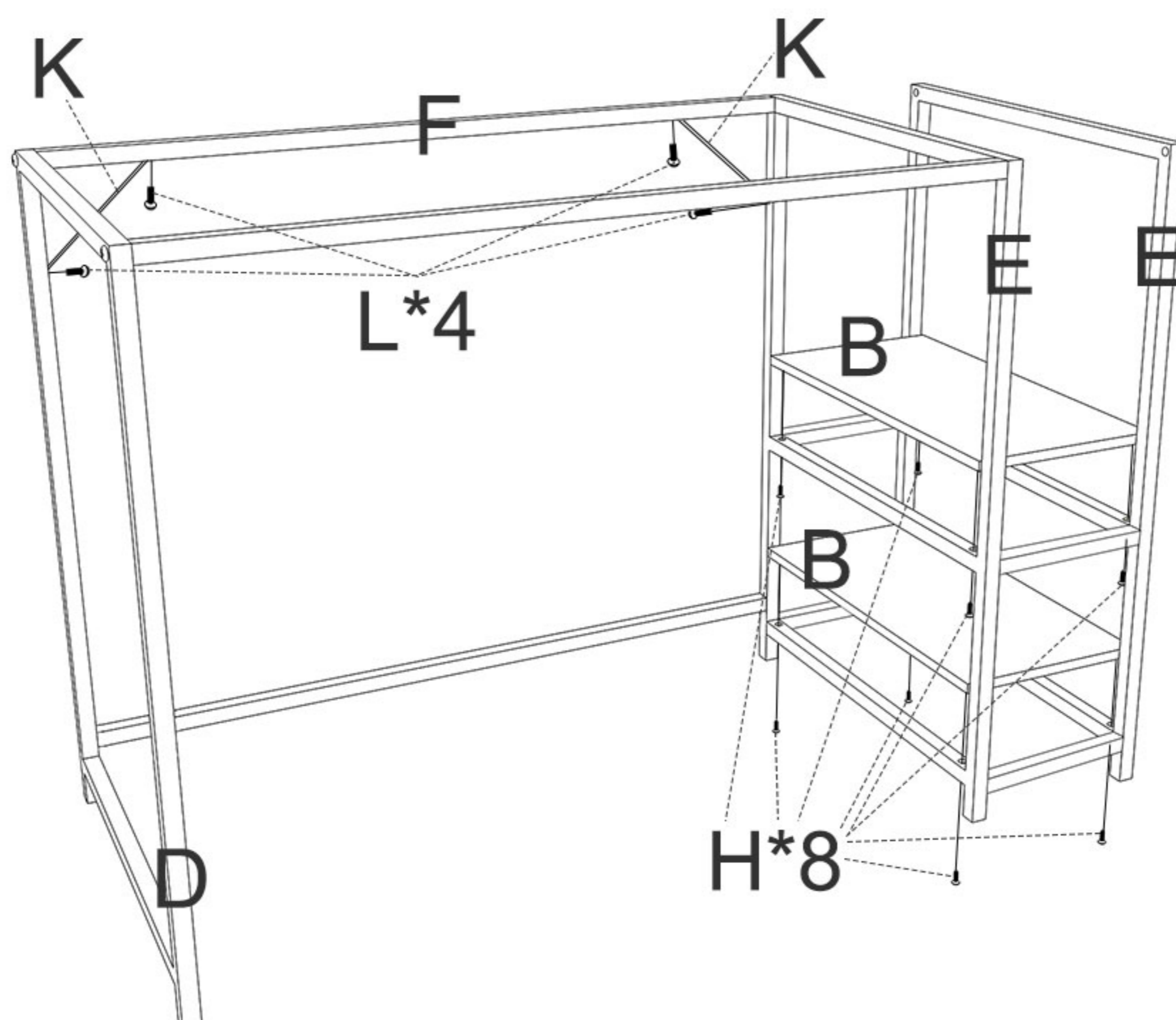
Screw H\*14

Foot pad J\*6

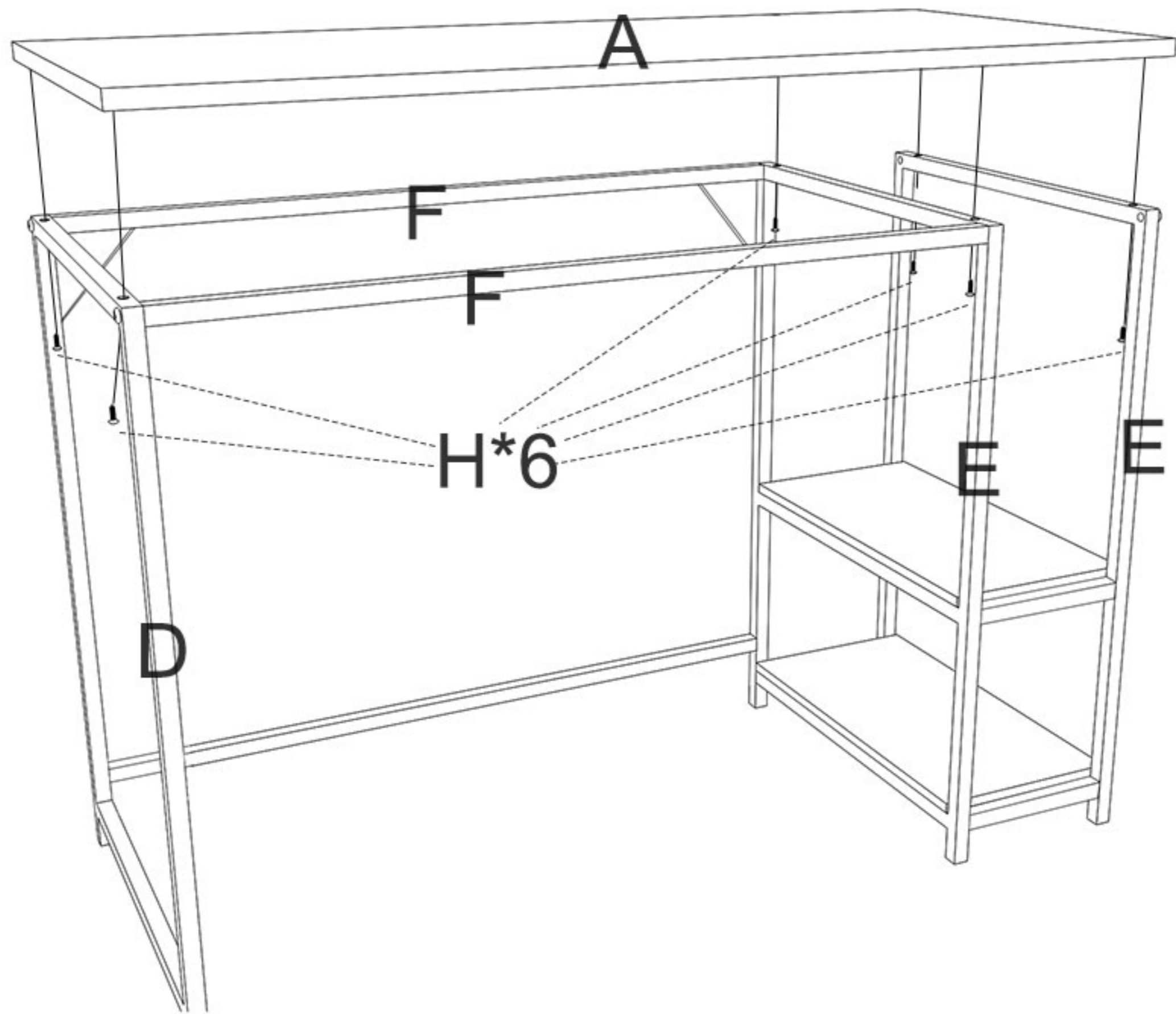
# 02 / 4 steps



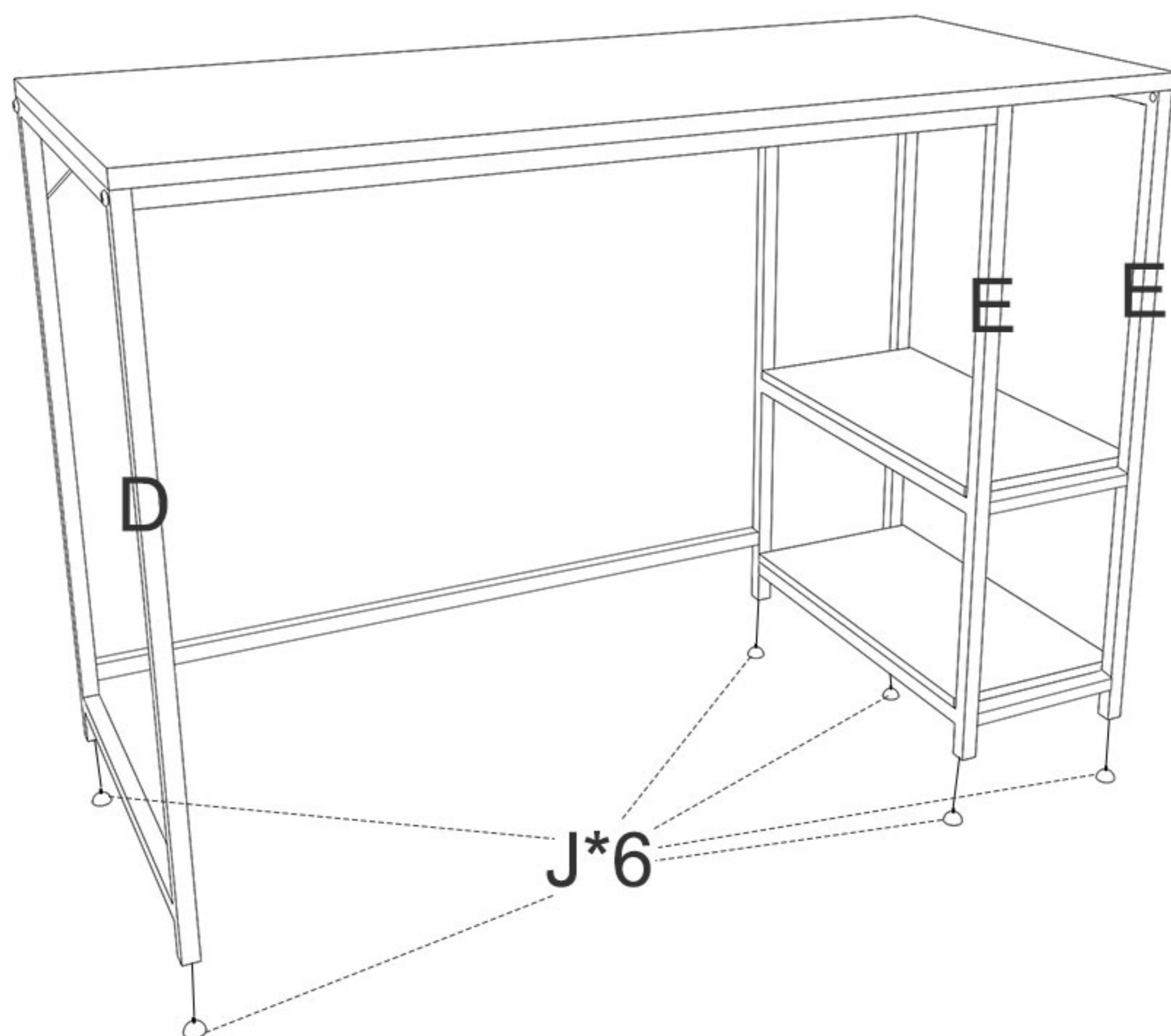
**Step1:**Use screw I\*6 to connect bracket F\*3 to the left bracket D and right bracket E1,then use screw I\*8 to connect bracket G\*4 to the right bracket E1 and the second right bracket E2.



**Step2:**Use screw L\*4 to connect bracket K\*2 to the left bracket D and right bracket E1,then use screw H\*8 to install small desktop board B\*2 on the right bracket E1 and the second right bracket E2.



**Step3:**Use screw H\*6 to install desktop board A on the left bracket D, right bracket E1 and the second bracket E2.



**Step4:**Install the foot pad J\*6 under the left bracket D, right bracket E1 and the second bracket E2.