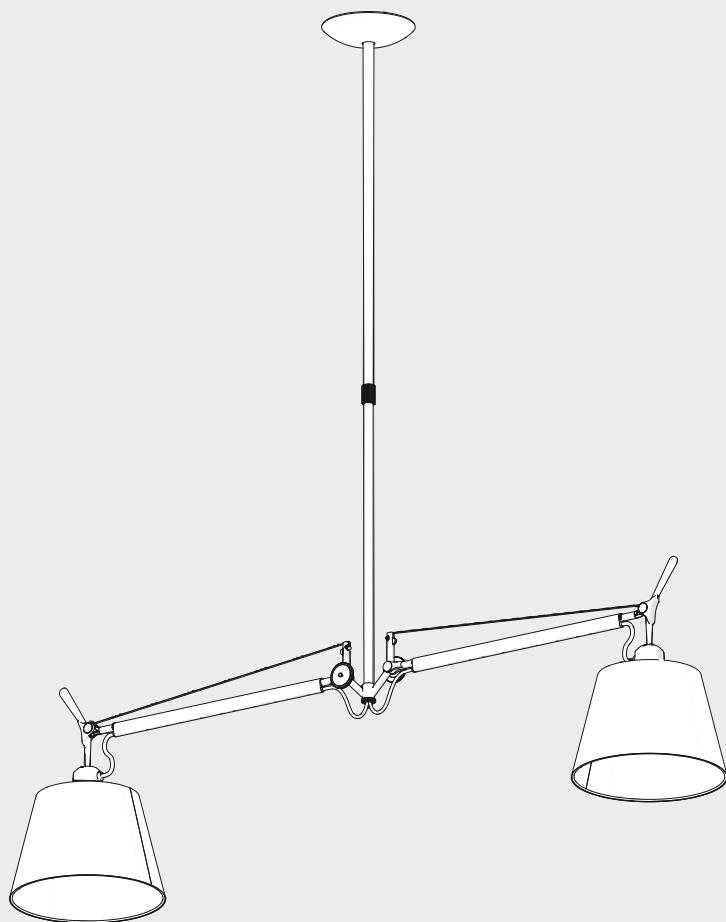


Artemide®

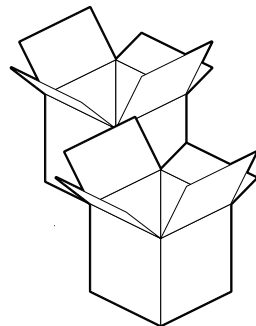
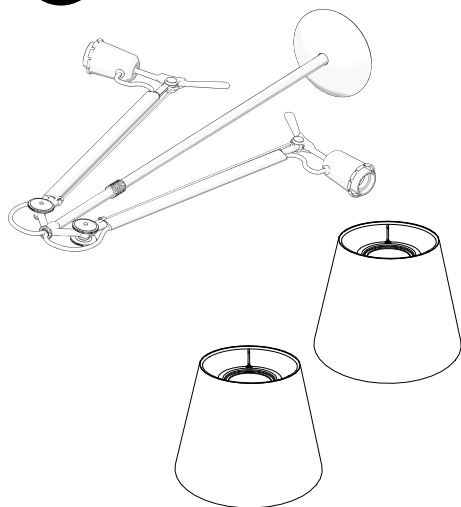
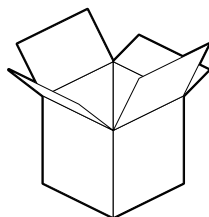
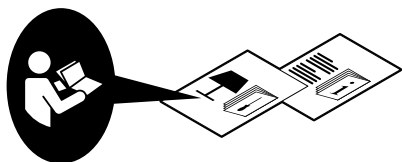
Tolomeo Sospensione Diffusore

design
M. De Lucchi
G. Fassina

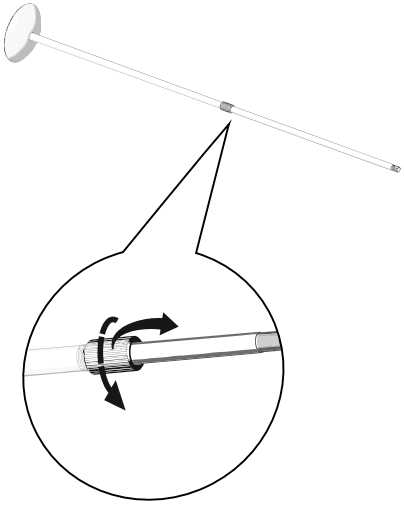




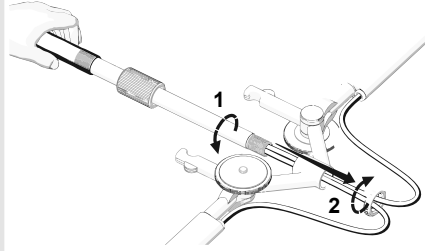
i



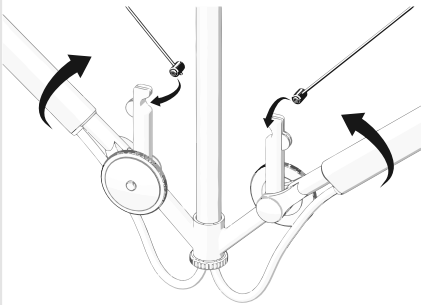
1



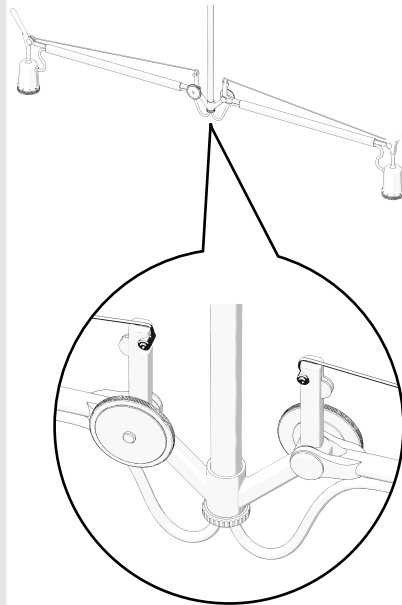
2



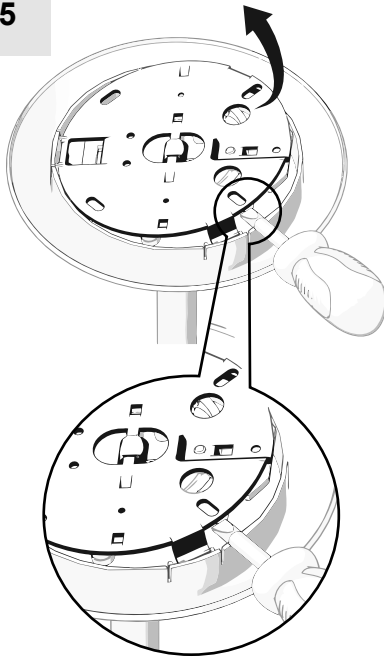
3



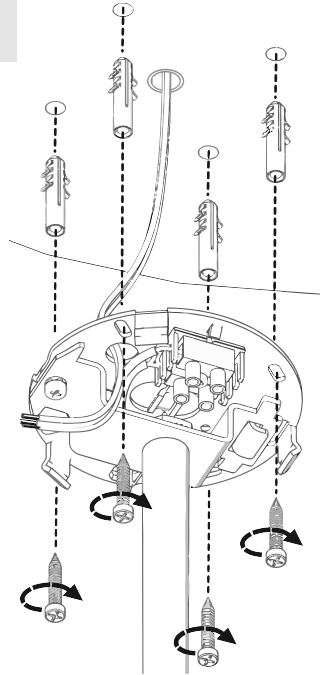
4



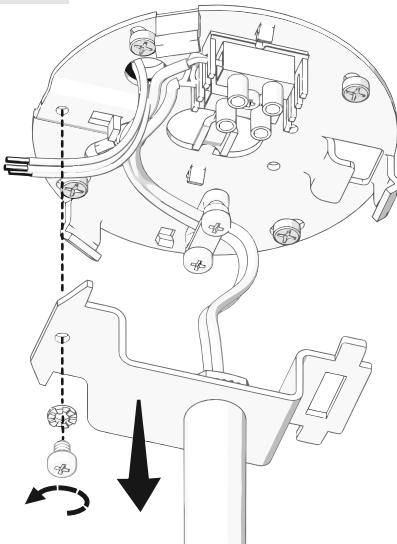
5



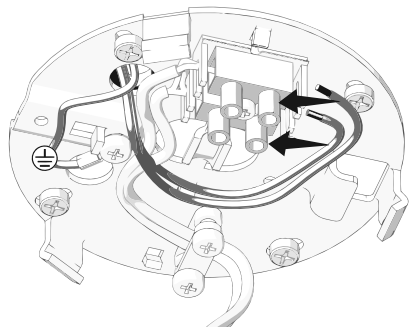
6



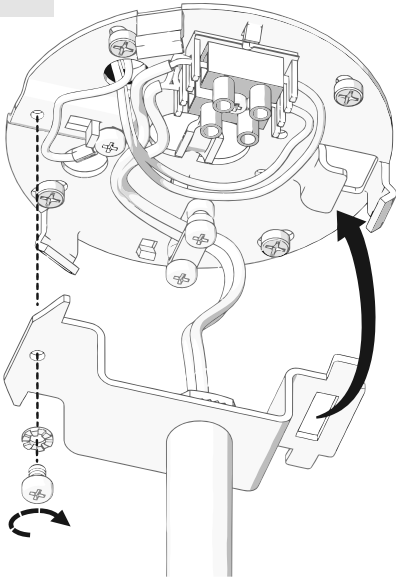
7



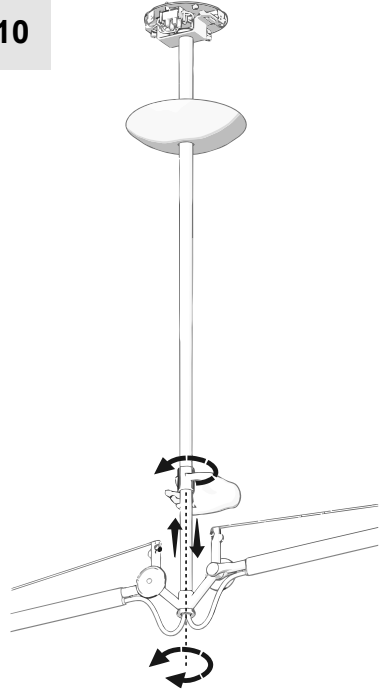
8



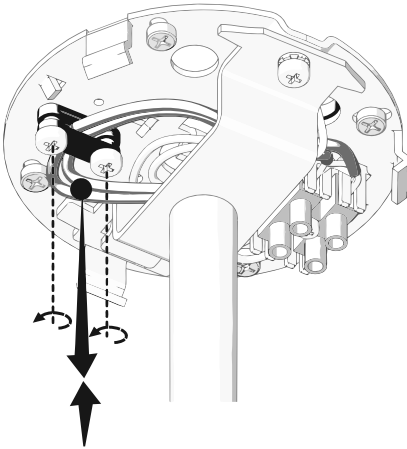
9



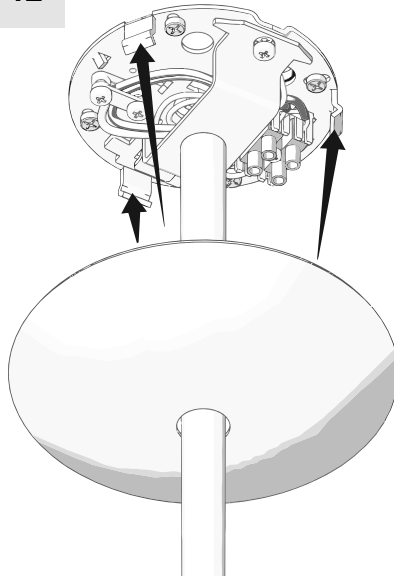
10



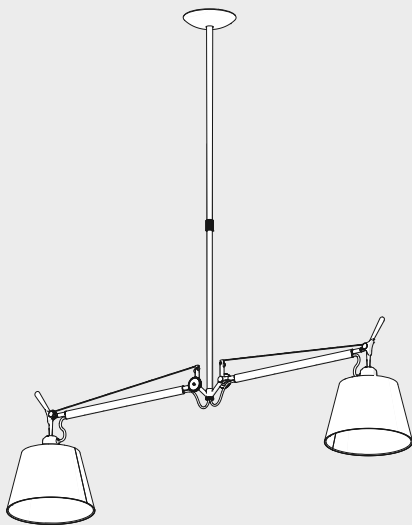
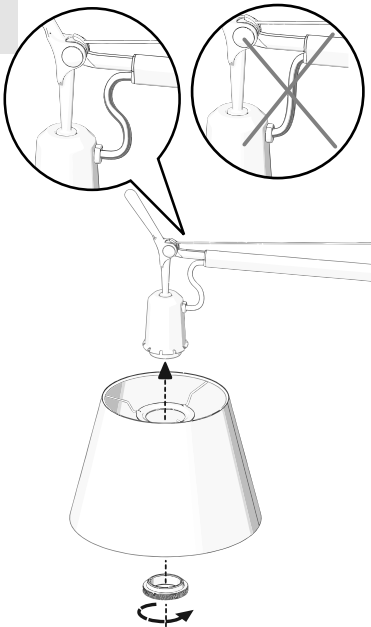
11



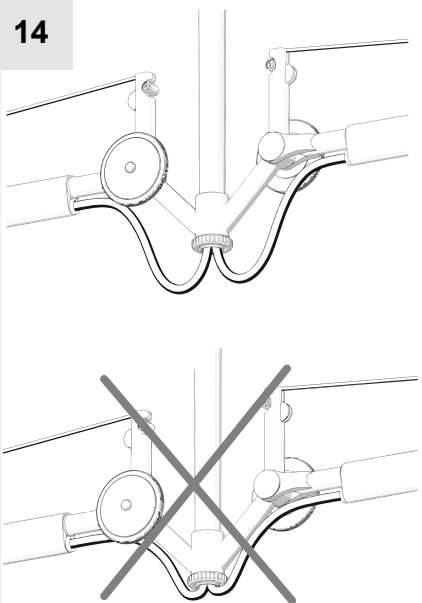
12



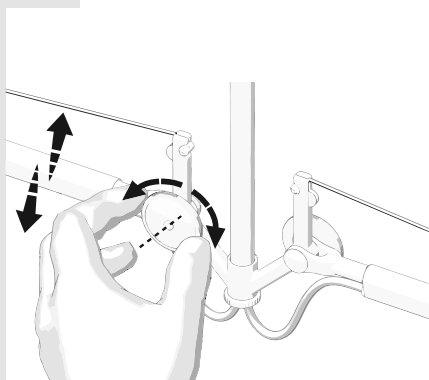
13



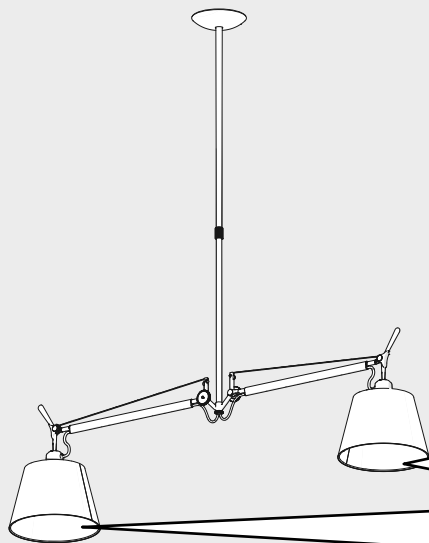
14



15



i



24

MAX 17W LED - E27



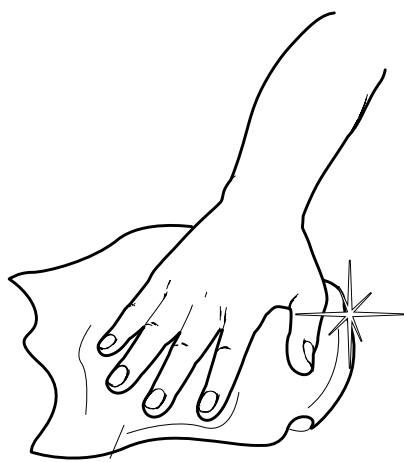
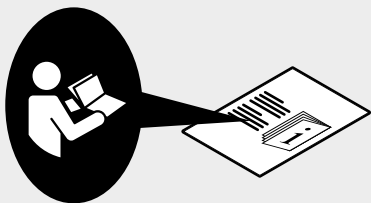
32

MAX 21W LED - E27

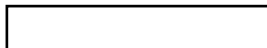


36

MAX 150W - E27



Artemide®



Artemide

via Bergamo, 18
20010 Pregnana M.se (MI)
ITALIA

tel. +39 02 935 181
fax +39 02 935 90 254
fax +39 02 935 90 496

www.artemide.com

VAT IT00846890150

cod. Y513001197