

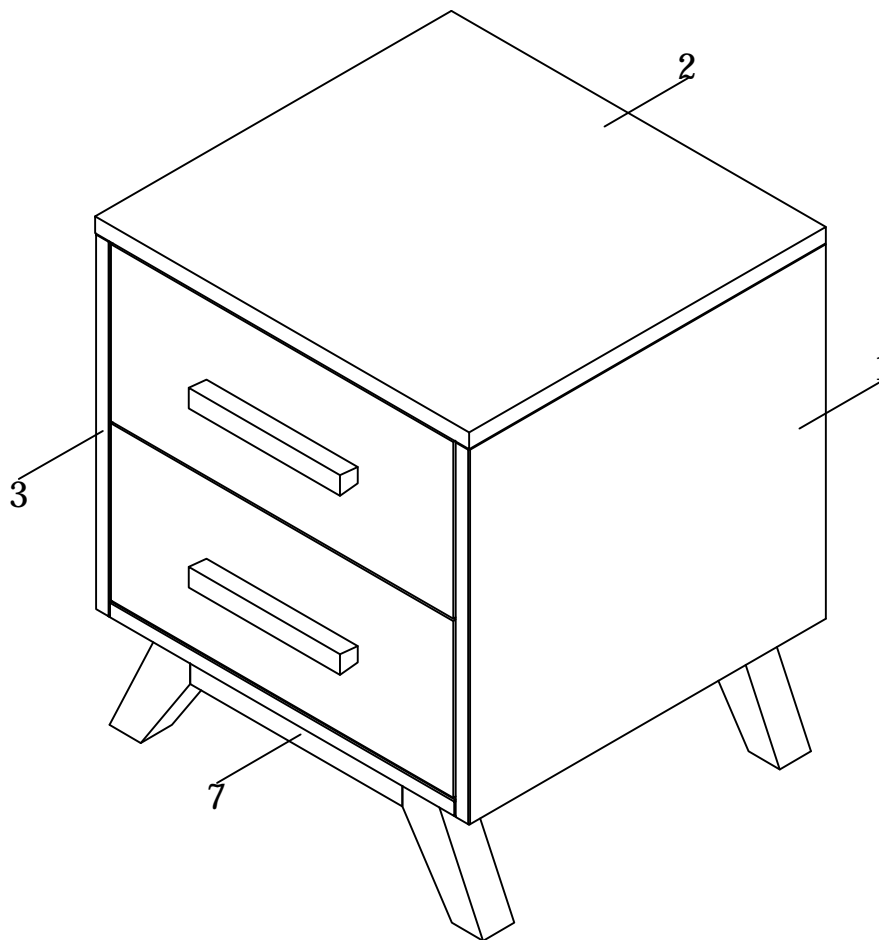
# bopita®

ASSEMBLY INSTRUCTION  
MONTAGE HANDLEIDING  
MONTAGE ANLEITUNG  
NOTICE DE MONTAGE  
MANUAL DE MONTAJE

UK  
NL  
D  
F  
ESP

MODEL  
TYPE  
COLOUR  
ART.CODE

: NIGHTTABLE  
: FENNA  
: WHITE/NATURAL  
: 133188.03.



Distributor:

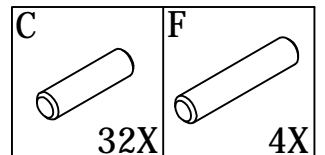
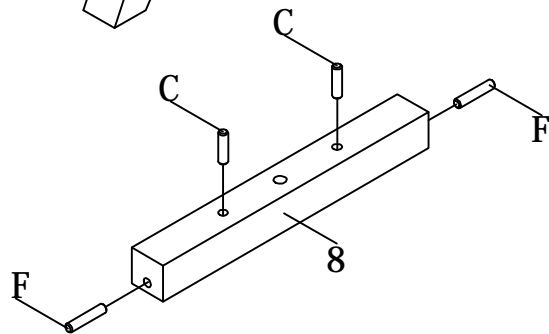
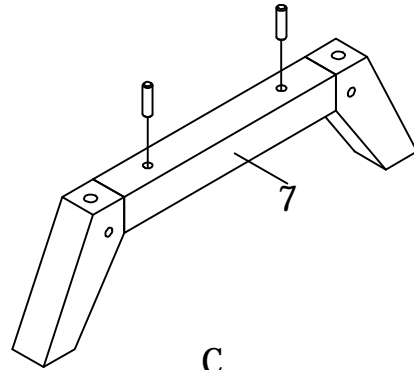
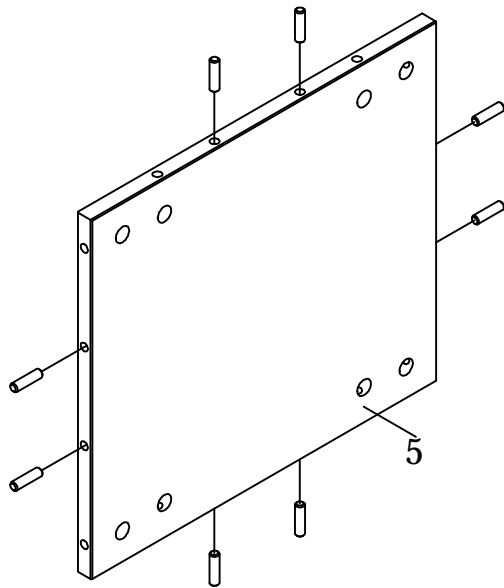
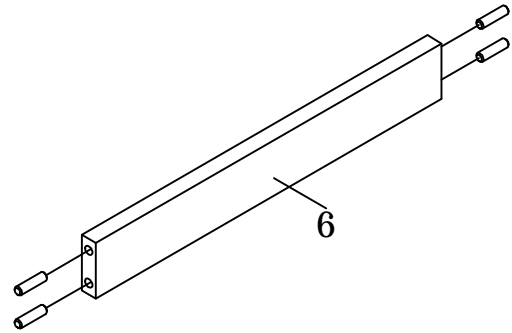
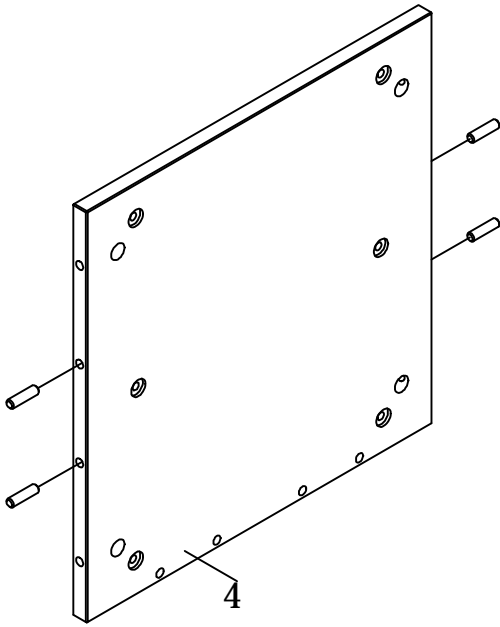
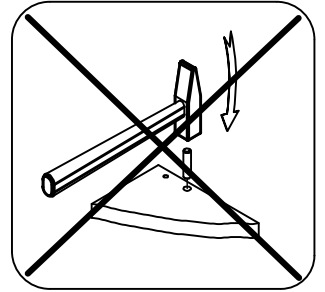
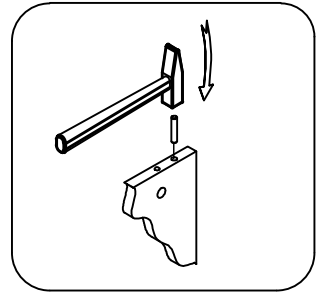
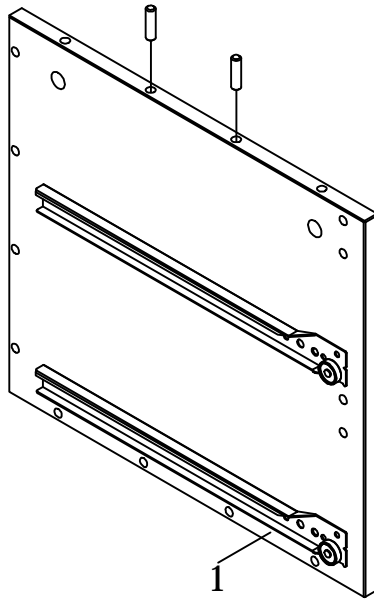
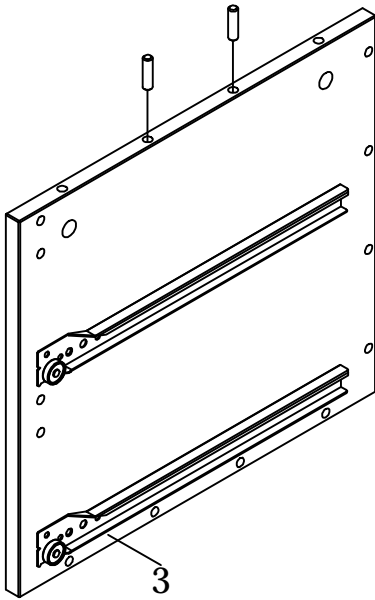
BOPITA  
Energieweg 1  
6662 NS Elst  
The Netherlands

[www.bopita.com](http://www.bopita.com)

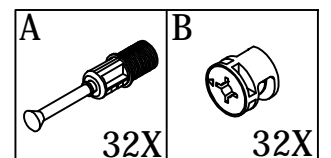
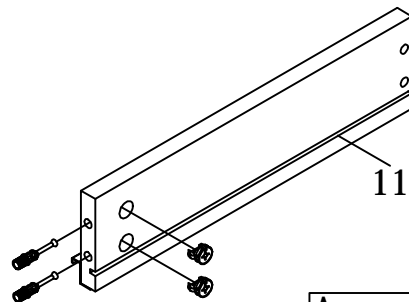
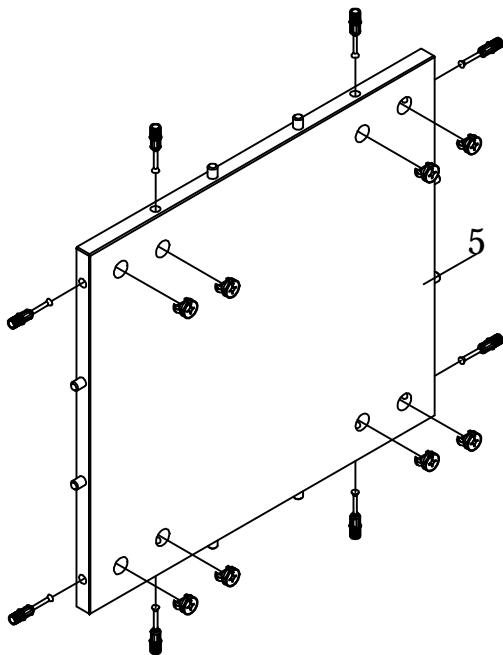
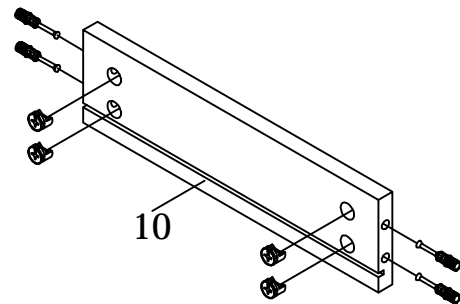
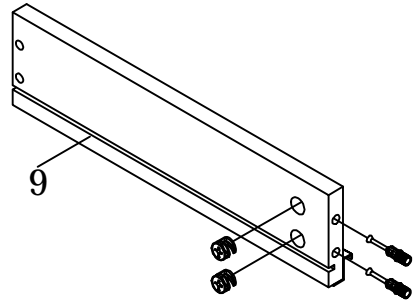
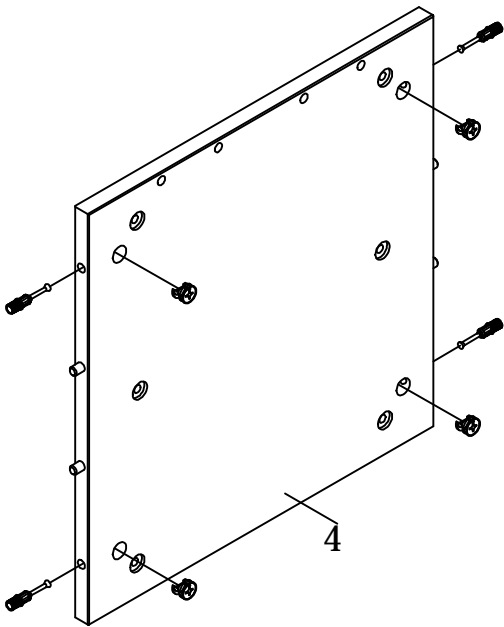
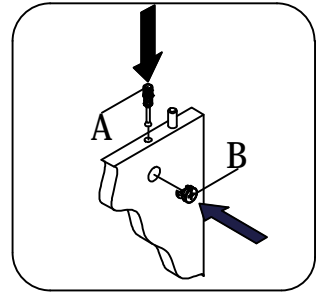
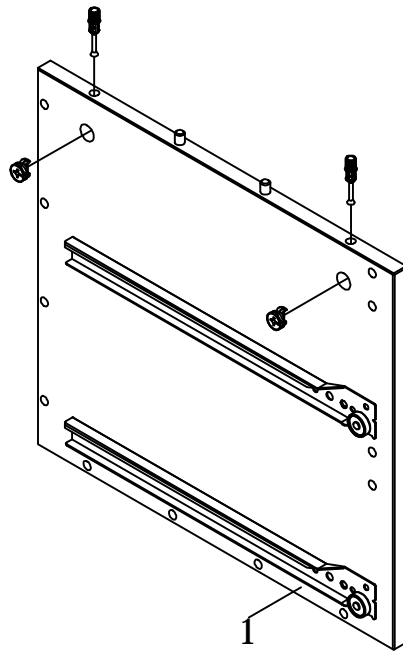
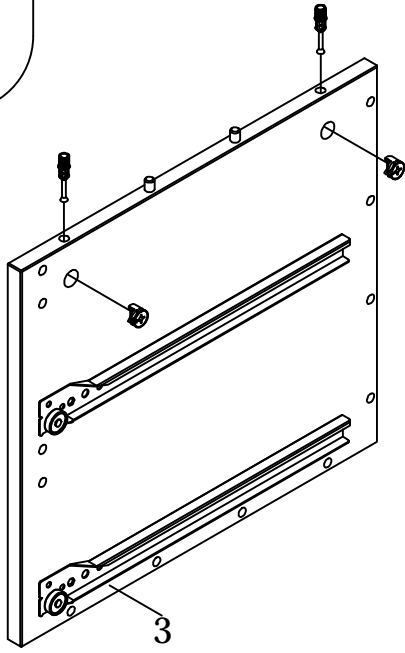
25.03.2020.



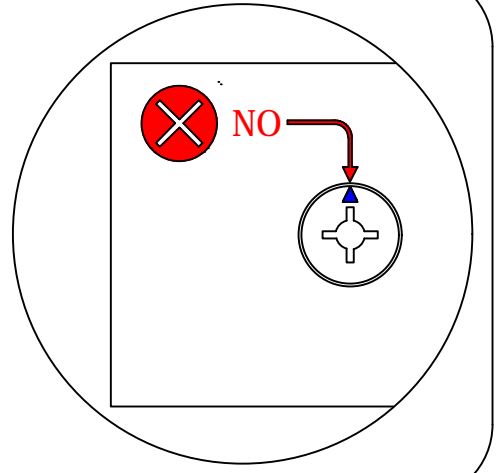
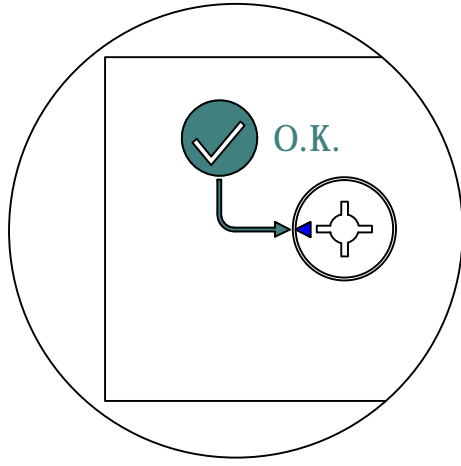
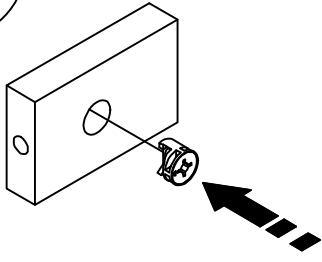
1



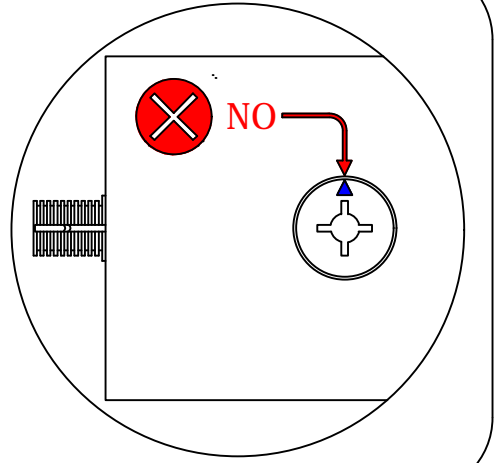
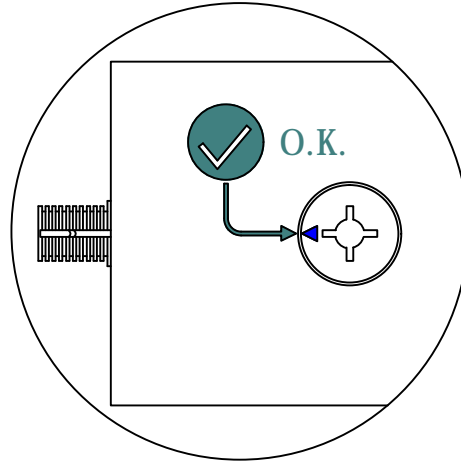
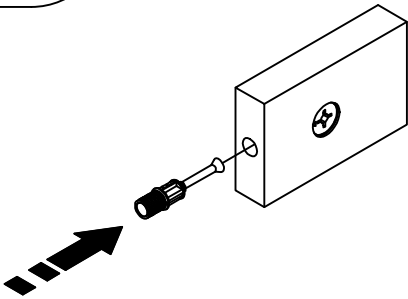
2



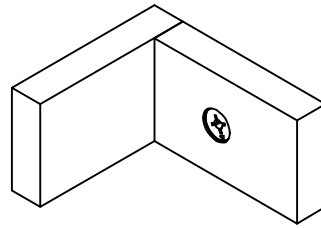
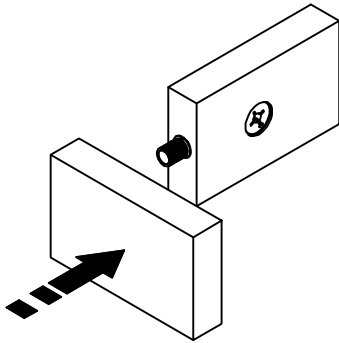
1



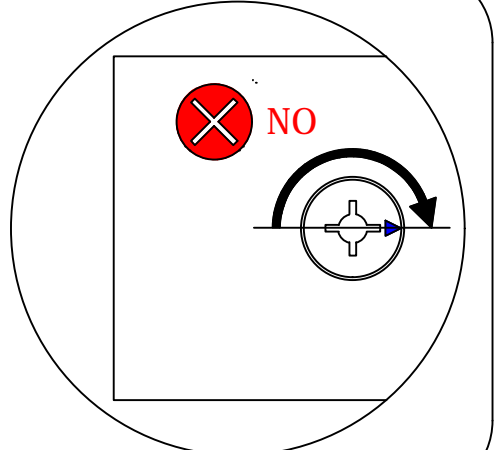
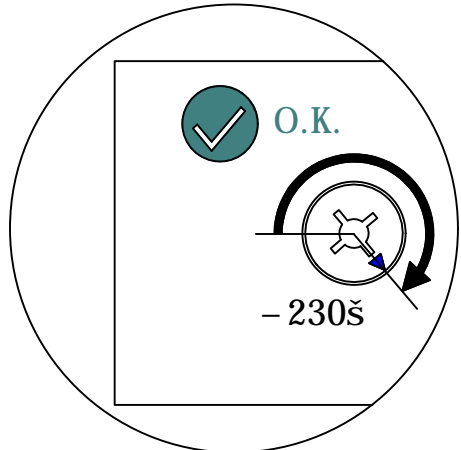
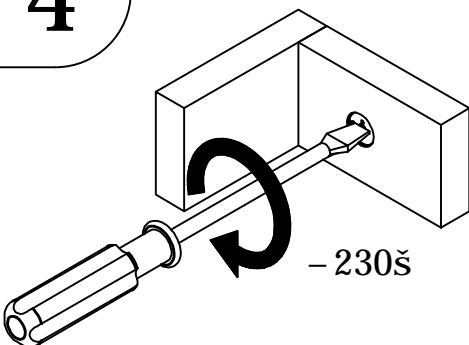
2



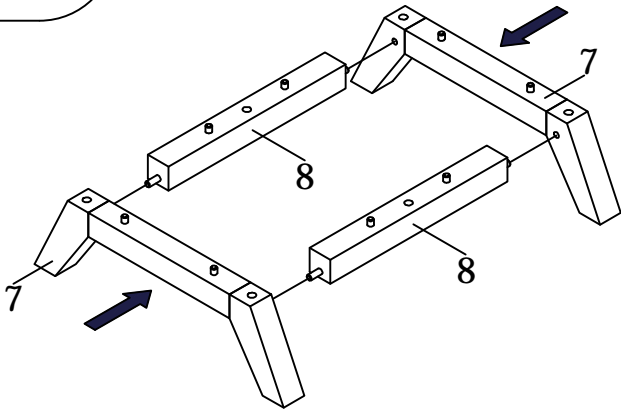
3



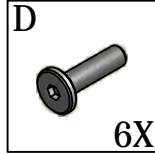
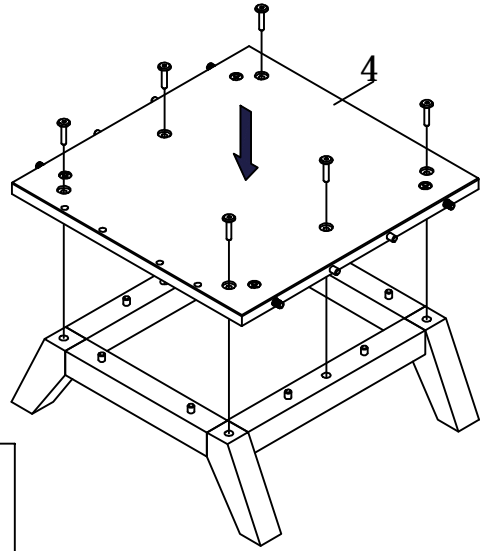
4



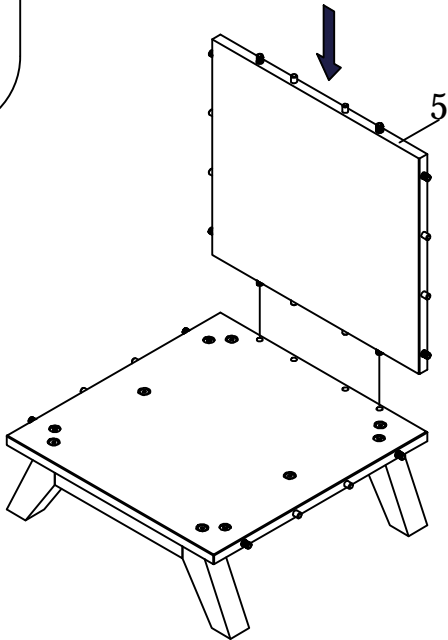
3



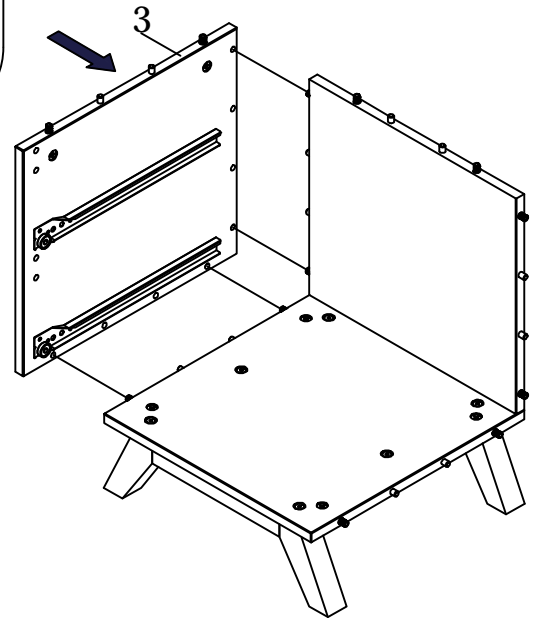
4



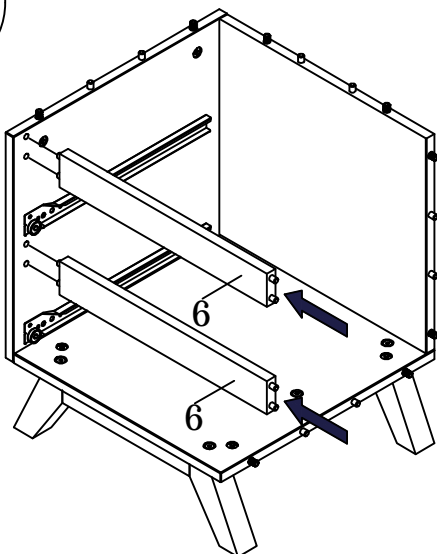
5



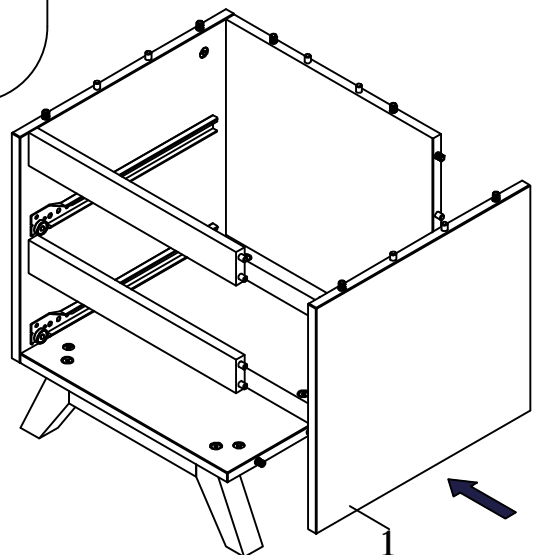
6



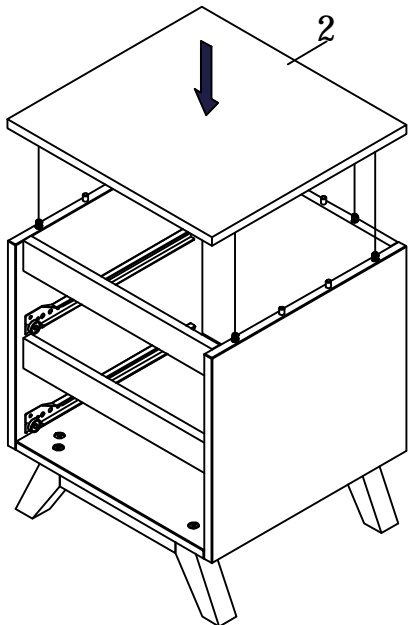
7



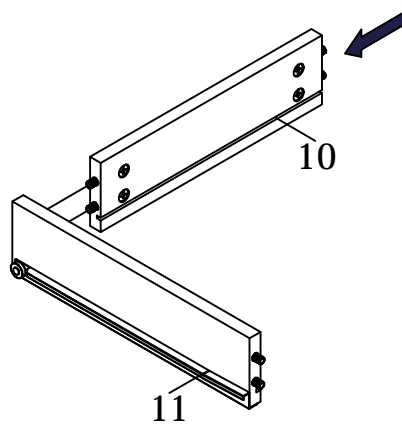
8



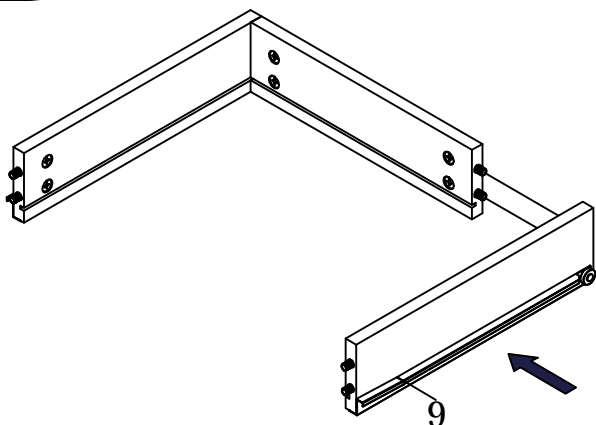
9



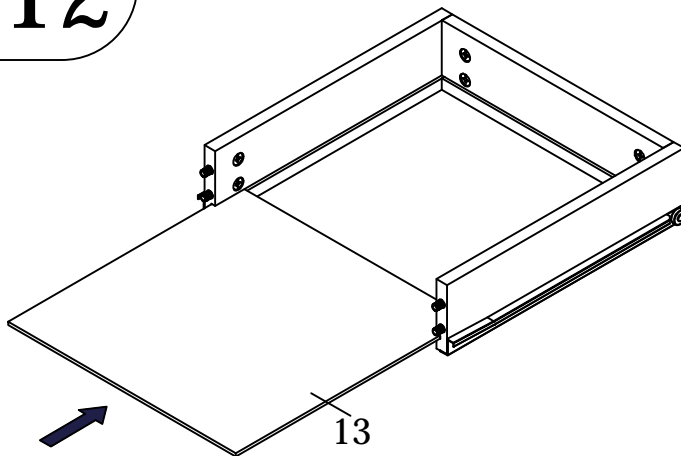
10



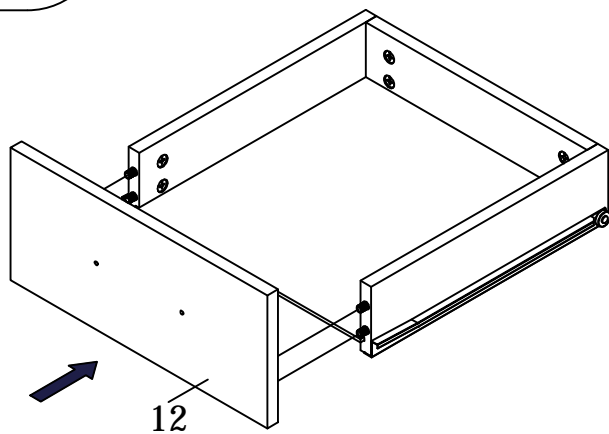
11



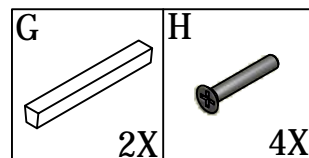
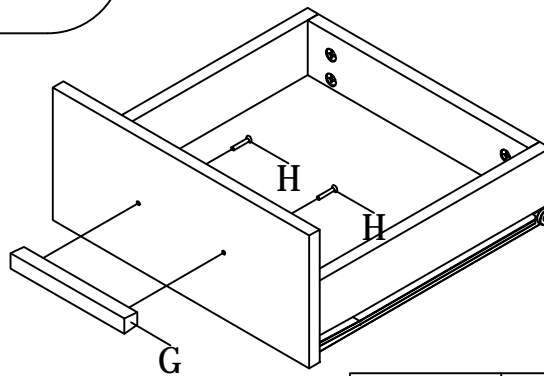
12



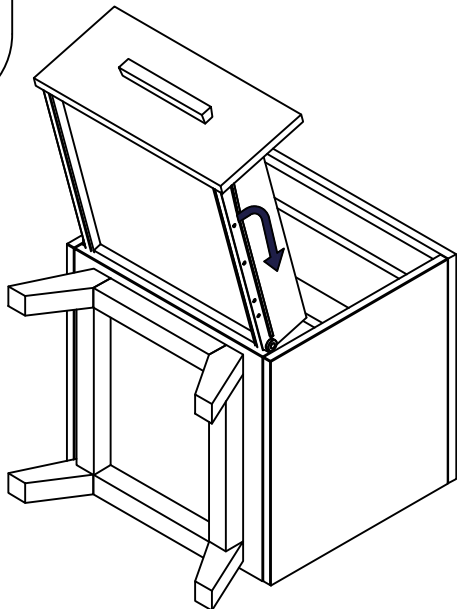
13



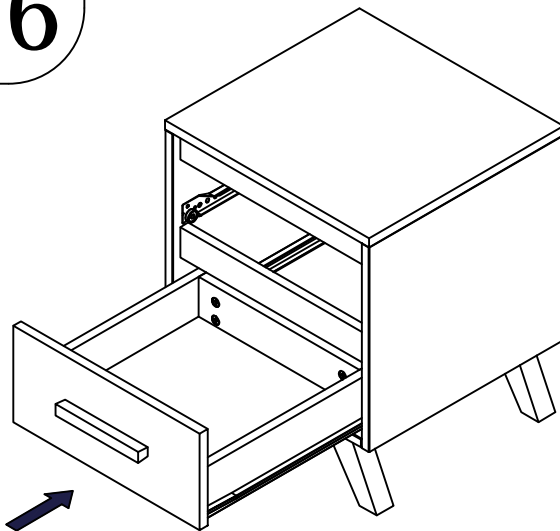
14



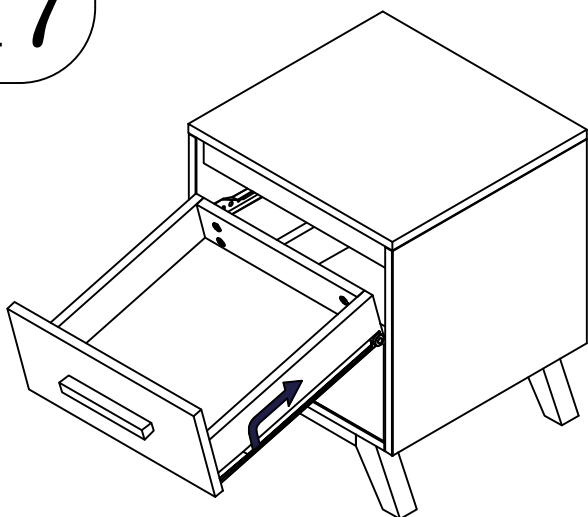
15



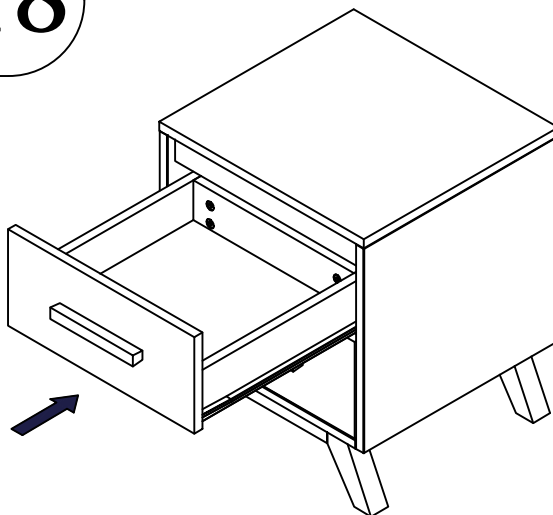
16



17



18



19

