

3 in 1 – Microwave with grill and convection

900 watt microwave

1300 watt grill

2300 watt convection

Stainless steel front and interior

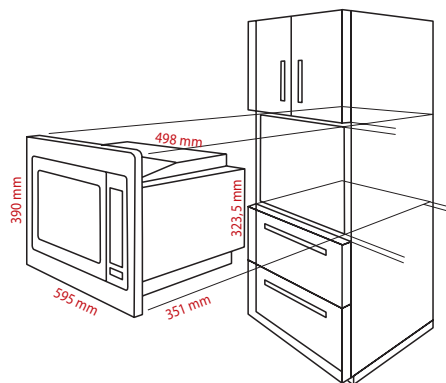
25 litres oven capacity



Without decoration

Built-in microwave with grill and convection
MWG 3001 H EB

- Built-in microwave in frameless design
- Stainless steel front, stainless steel interior
- LCD display / Digital clock
- 900 watt microwave
- 1300 watt grill
- 2300 watt convection
- 5 microwave power levels
- 2 levels in combined operation (grill/microwave)
- 2 levels in combined operation (microwave/convection)
- 1 grill level
- 5 temperature settings for convection (100°C–200°C)
- 8 automatic programs / Defrost program
- Quick start function
- 25 litres oven capacity
- Timer function with up to 24 h time delay
- Rotating plate: Ø approx. 27.0 cm, grilling grid: Ø approx. 22.2 cm
- 60 minutes timer with end signal
- Child lock
- Oven light
- 230 V, 50 Hz, 2300 W
- Appliance (W x H x D): 595 x 390 x 351 mm
- Weight: approx. 17 kg



Colour: Stainless steel
 Article no.: 630 011
 Article EAN-Code: 4 004 470 300 116
 Exportpack EAN-Code: 4 004 470 084 108

PU: 1
 20"/40"/HQ container: 205 / 420 / 480

Dimensions: (approx. W x H x D)
 Unit: 595 x 390 x 351 mm
 Box: 666 x 460 x 410 mm

CTC CLATRONIC®
 CTC Clatronic International GmbH
 Industriering Ost 40
 47906 Kempen