

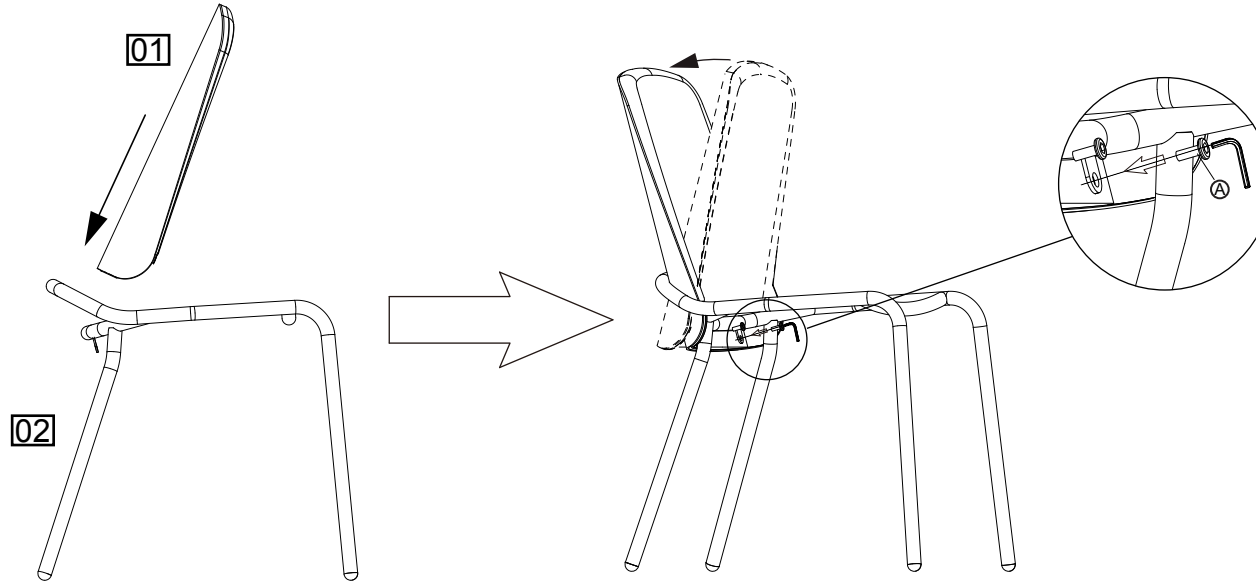
CHAIR CLIP

ZUIVER^o

COMPONENT PARTS

FITTINGS

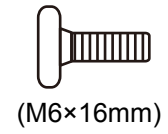
Step1



80%



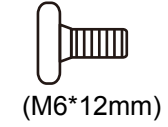
(A)



×2

(M6×16mm)

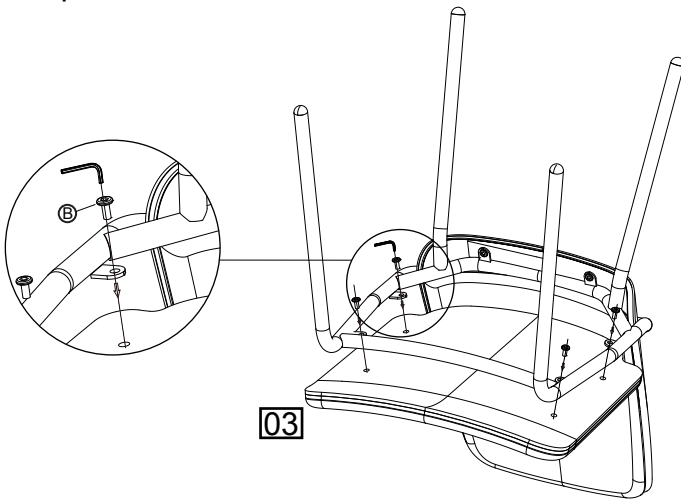
(B)



×4

(M6*12mm)

Step2



80%



100%



COMPONENT CHECKLIST

PART	No.	Qty.	
Back	01	1	<input type="checkbox"/>
Iron frame	02	1	<input type="checkbox"/>
Seat	03	1	<input type="checkbox"/>

TOOLS REQUIRED



Allen key (supplied)