

Jupio **DUO CHARGER**

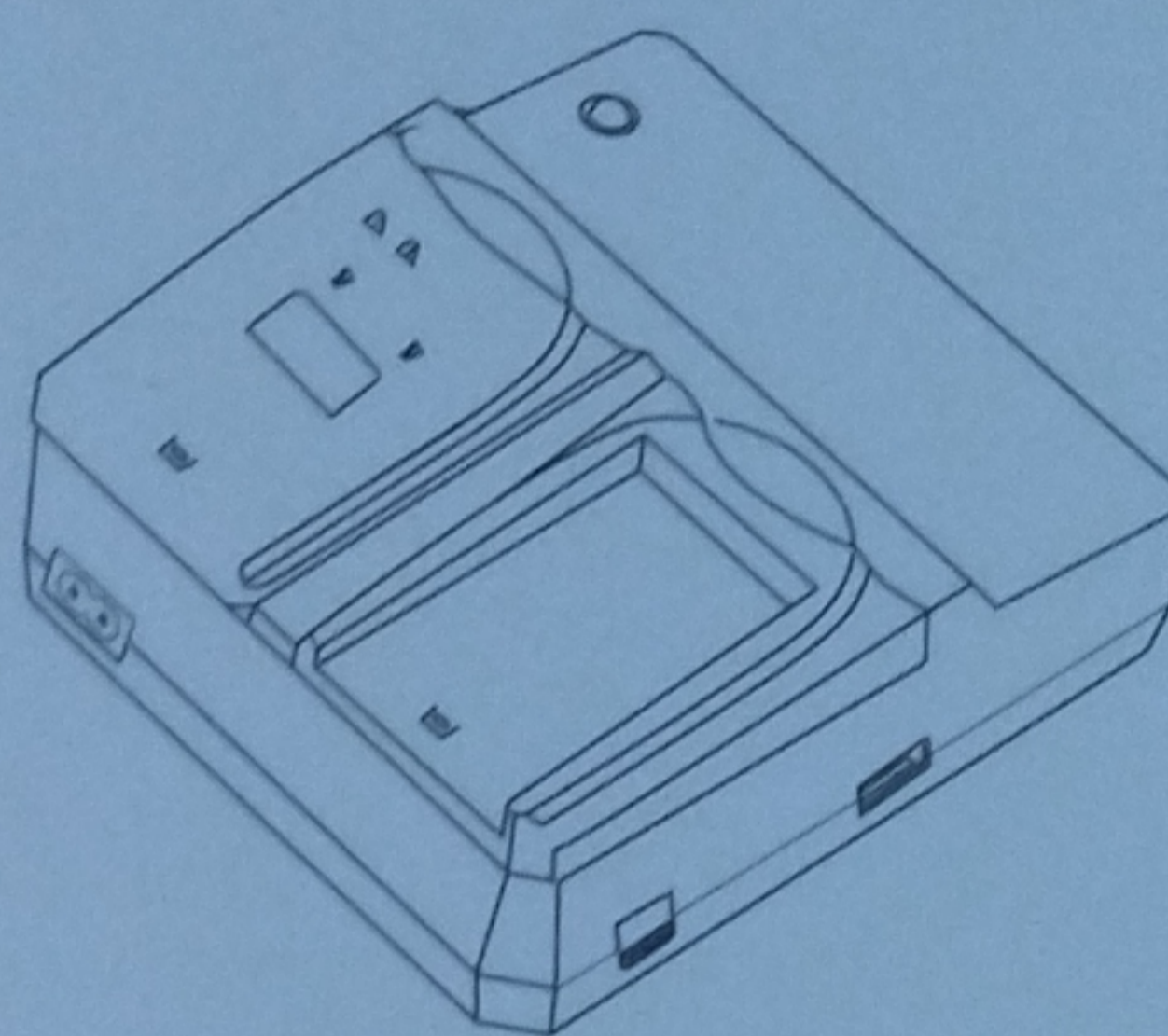
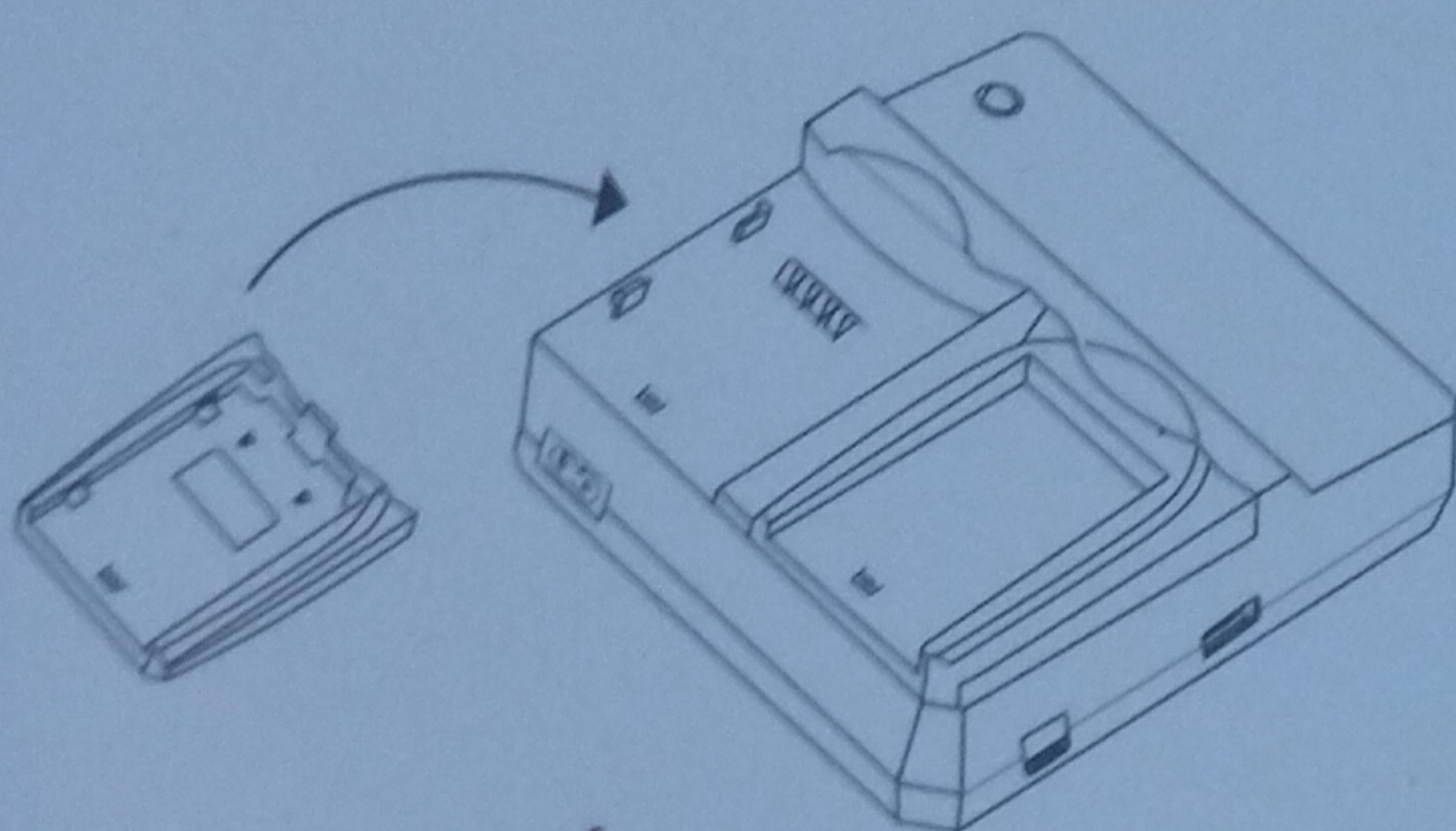
JDC0010V2

DOUBLE CHARGER for charging Li-Ion **CAMERA BATTERIES**
EXCHANGEABLE CHARGER PLATES available for all models

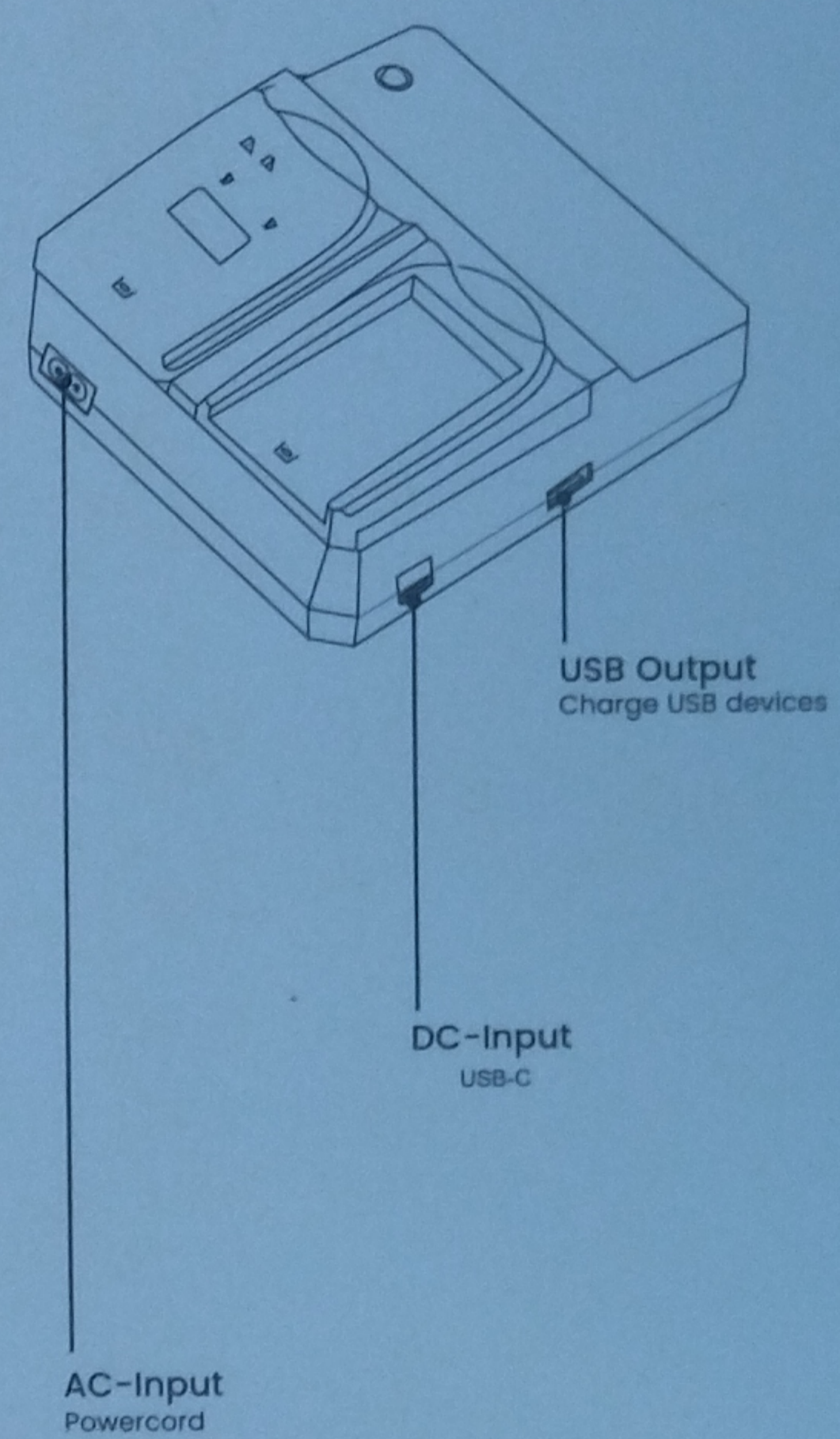
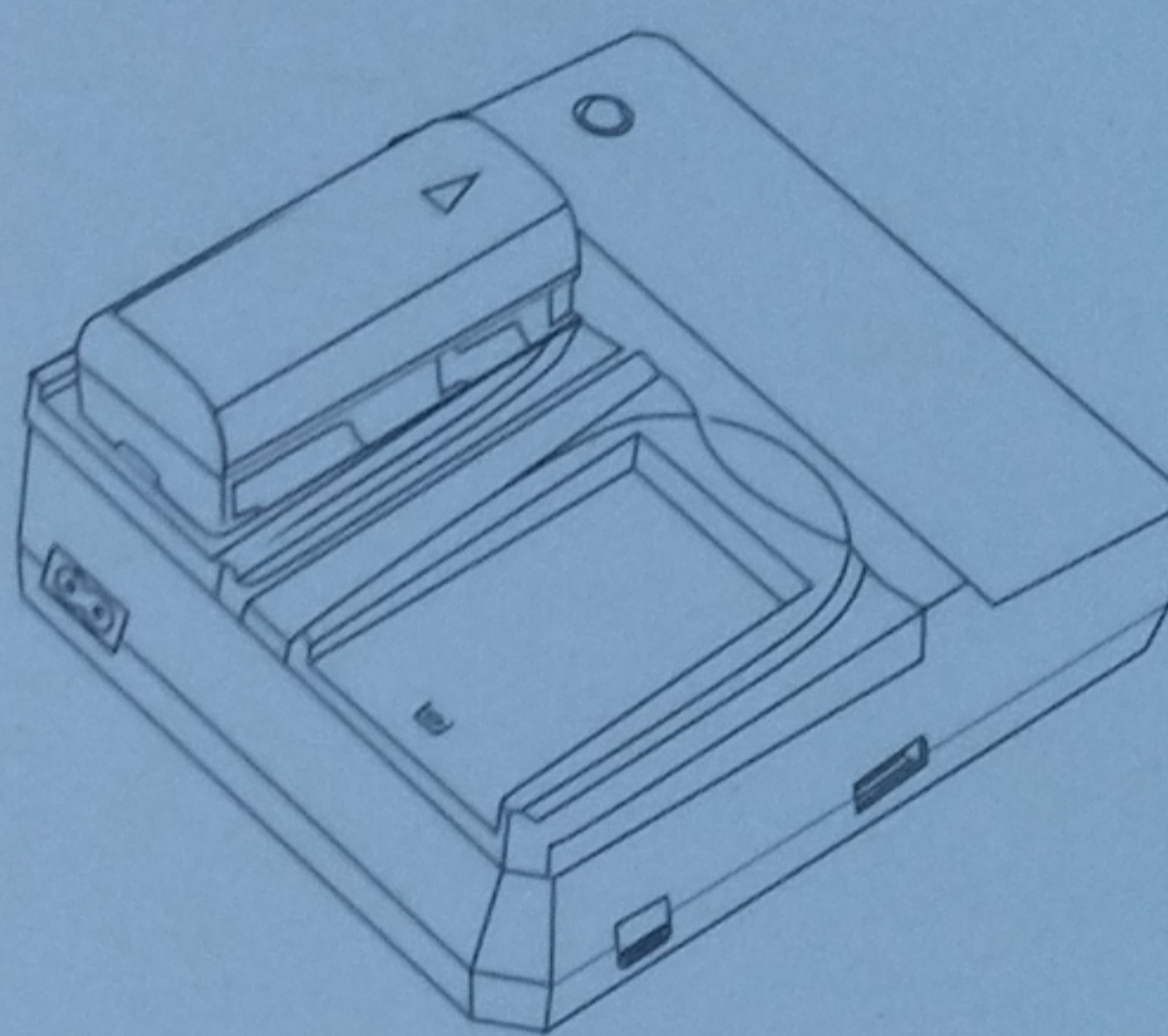
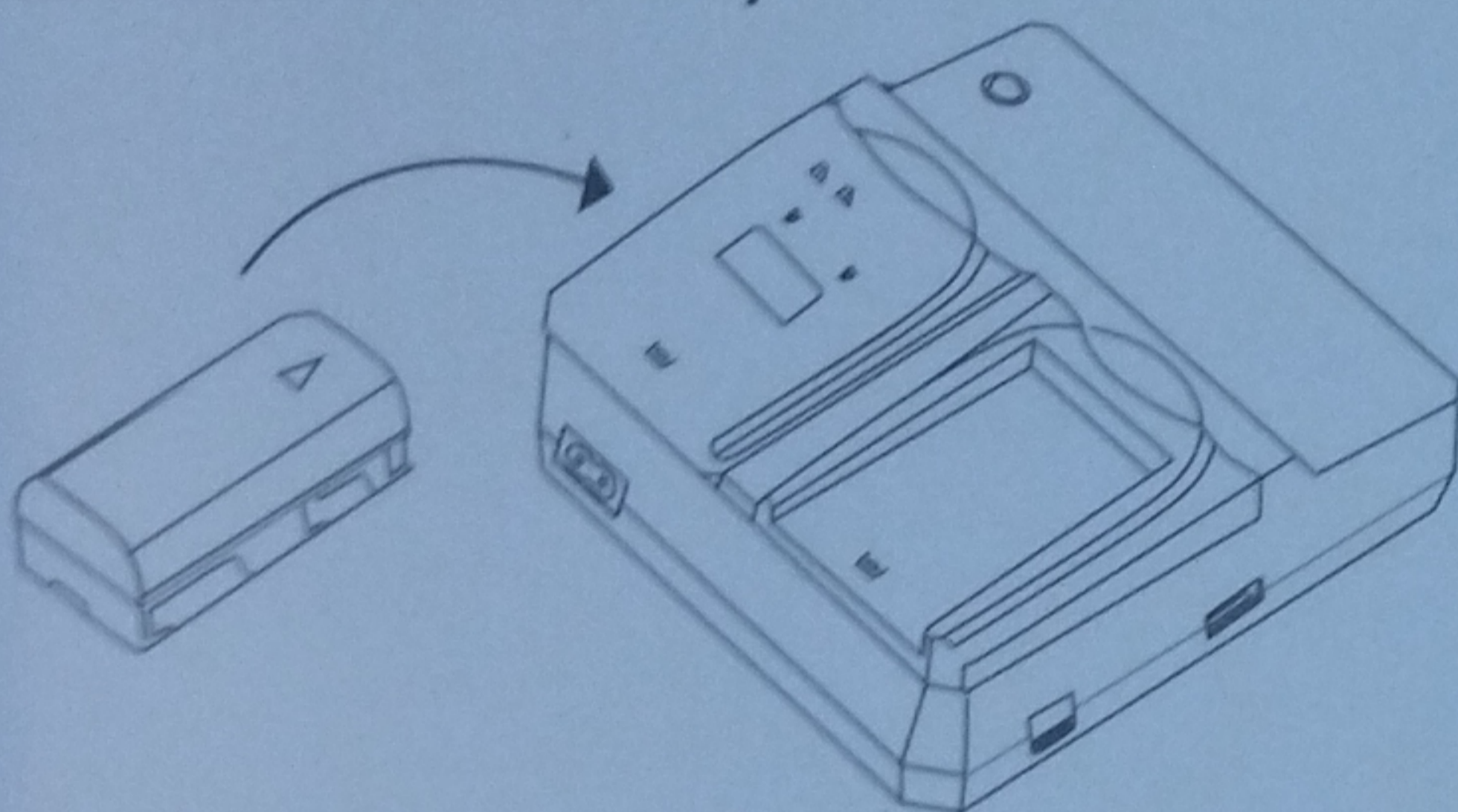
EQUIPPED WITH A USB OUTPUT for charging USB devices
 like smartphones and tablet computers.

200+
 charger plates
 available*

1. Insert the charger plate



2. Insert the battery



To ensure your safety and complete satisfaction with the device, please read the operating instructions carefully before using the Duo Charger. If you have any further questions, please contact your local Jupio dealer or the Jupio customer service.

DUO CHARGER specifications

AC Input:	100-240V / 50-60Hz / 1.5A
DC Input:	20V / 3A (PD2.0/PD3.0)
Output charger:	4.2V-17.6V / 2.5A*2
Output USB:	5V3A / 9V2A / 12V1.5A(QC3.0)
Dimensions:	123 x 112 x 45mm
Weight:	280 grams

60W

TOTAL
OUTPUT

100-240V

WORLD
VOLTAGE

LCD

STATUS
DISPLAY

USB

QC3.0 18W
OUTPUT

All product names, logos, and brands are property of their respective owners. All names, logos and brands are used for identification purposes only.

Jupio® is a registered trademark of Jupio Europe BV.

PACKAGE CONTENTS

Duo Charger / Power Cord / Printed Manual

*The charger plates are not included. Not suitable for the JCP0001 charger plate.

SKU: JDC0010V2
 Jupio DUO CHARGER

This product is
 produced in China
 for Jupio Europe BV



8719743933101

