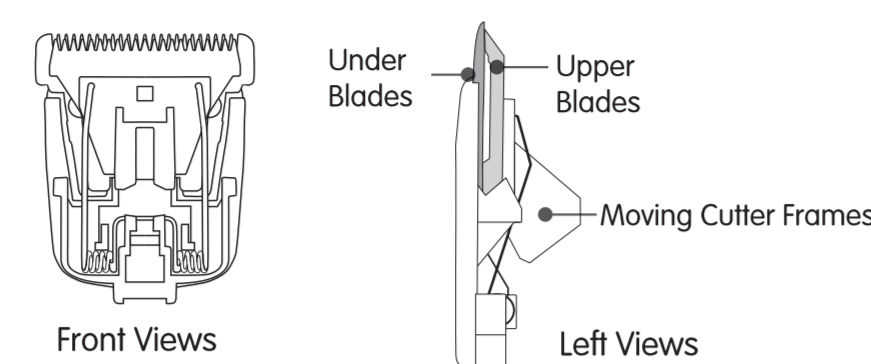


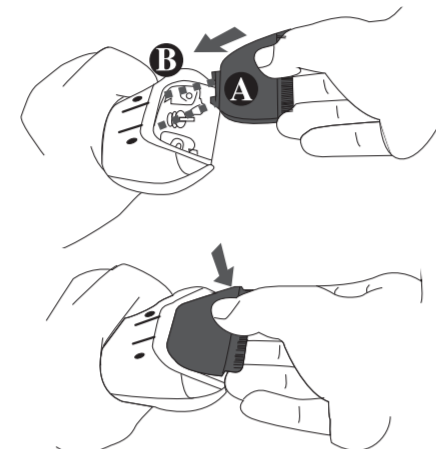
## With and Without Cutter Heads

### Cutter head features

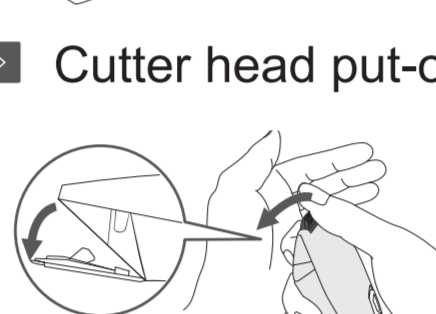


Ceramic blades: durable, sharp, hygienic, stainless

### Cutter head installation

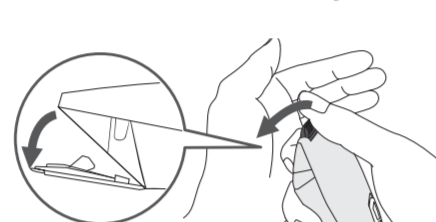


1. Put part A into slot B



2. Make sure it has been aligned, press cutter backs, then hear click sound. That's okay.

### Cutter head put-on and take-off



Turn off button, press cutter teeth in thumbs, push forward in the direction of arrows.

In process of taking off cutter heads, one hand to push forward, the other support them, so as to avoid damage by falling down.

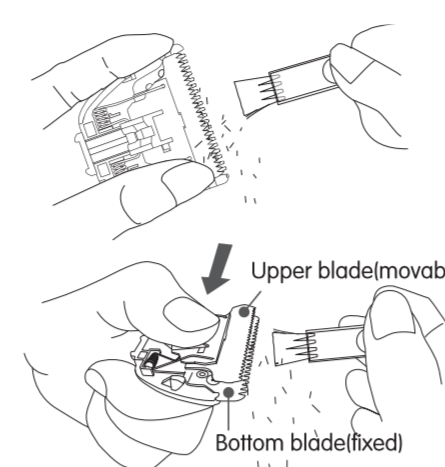
### Kind Attention

- ◆ White ceramic blades are very fragile, apt to break when being put on or taken off. Be careful with that!
- ◆ When ceramic blades broke, they probably clamp hair and stop running.
- ◆ Please replace cutter heads timely.
- ◆ Sterilize blades regularly and make sure they are hygienic prior to cutting hair.

— 5 —

## Cutter Head Cleaning and Maintenance

### Cutter heads cleaning

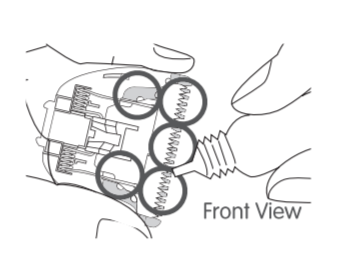


Clean off hair scraps with cleaning brushes.

### Kind Attention

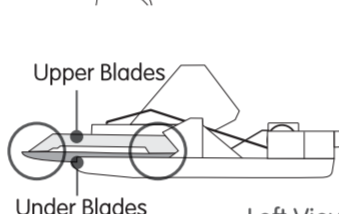
- ◆ Caution: Never take off spring on head, otherwise they probably go wrong because the spring can not revert to the original state.
- ◆ Please take off cutter blades after using clippers. Clean off scrappy hair on cutter head surface and in between blade niches, so as to avoid influencing their sharpness.
- ◆ Clean cutter head with water, have to make it dry, otherwise they get rusty.
- ◆ After each cleaning, please drop lubricating oil to maintain the clipper.

### Cutter heads lubrication



Drop oil here. This place where upper blades and bottom ones move back and forth.

- ◆ a couple of drops in 5 places



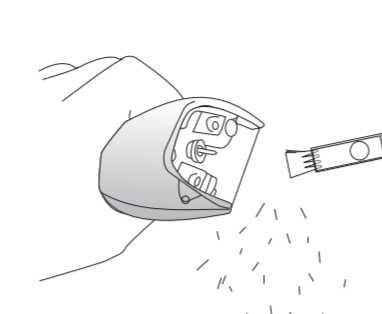
### Kind Attention

- ◆ Blade lifetime has something to do with running frequency, hair quality and maintenance.
- ◆ Replace worn cutter heads to avoid hair clamping. For any replacement part, kindly consult our agencies and repair service centers. Never fit other maker cutter heads on our clippers.
- ◆ During using the clipper, you know the cutter head may get a little warm. It's quite normal and it doesn't influence proper use.

— 6 —

## Trimmer Body Cleaning and Maintenance

### Body cleaning



Wipe off cutter hair scraps in cutter head slots



Also can wash clipper body with water



Clean body, make the body dry with wipes, fit the cutter heads on it. Keep it well for future use.

### Prohibited Matters



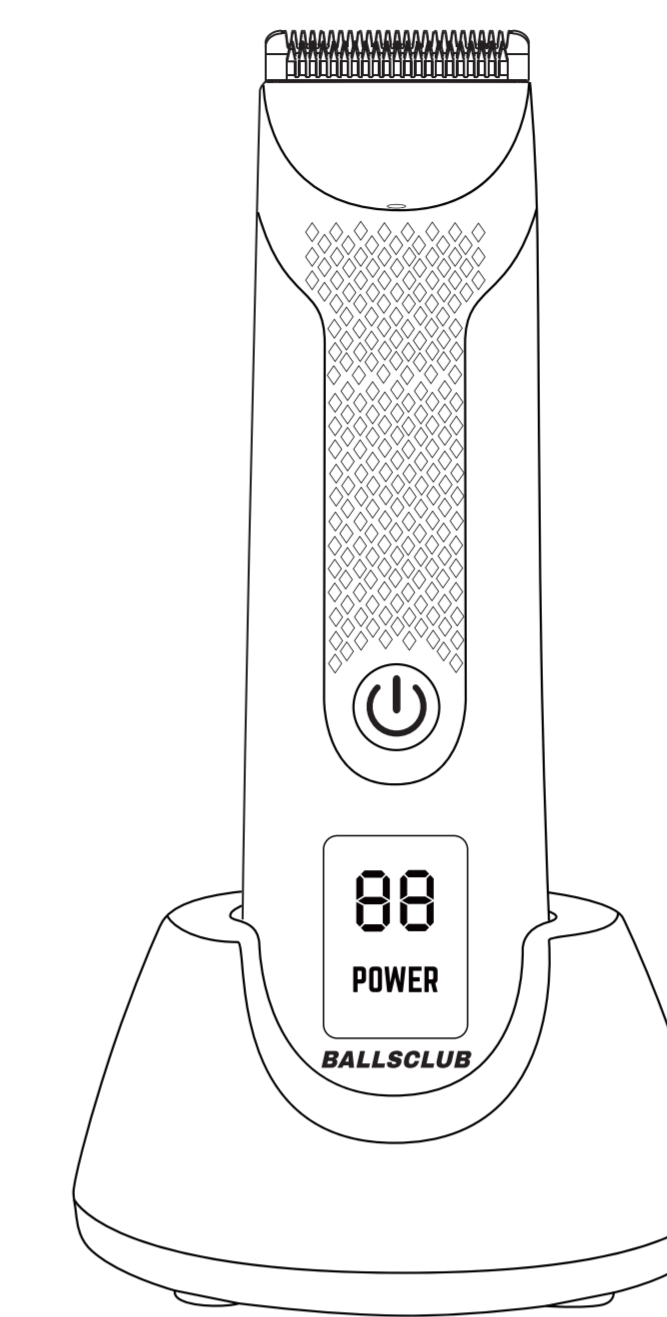
Don't wipe clipper body with gasoline, alcohol, thinner and other corrosive chemical agents.

Otherwise, its out shell will change colour. Hereby suggest cleaning off the dirty mark of clipper surface with weak alkaline soap water.

— 7 —

## The Chairman Trimmer for Body and Bush

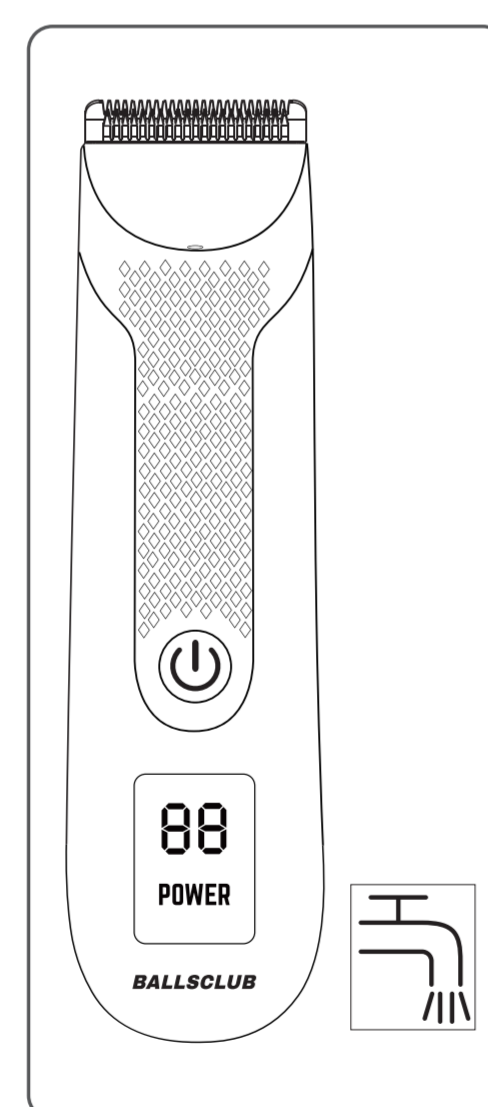
Model No.: ZP-5102



### User Manual

Before using this product, please read through this manual carefully and keep it well. It is only operated by adults, not by children themselves. This is not a toy and for children's safety, please don't put it in a place where the children can reach out for this product.

## Introduction



### Technical Highlights

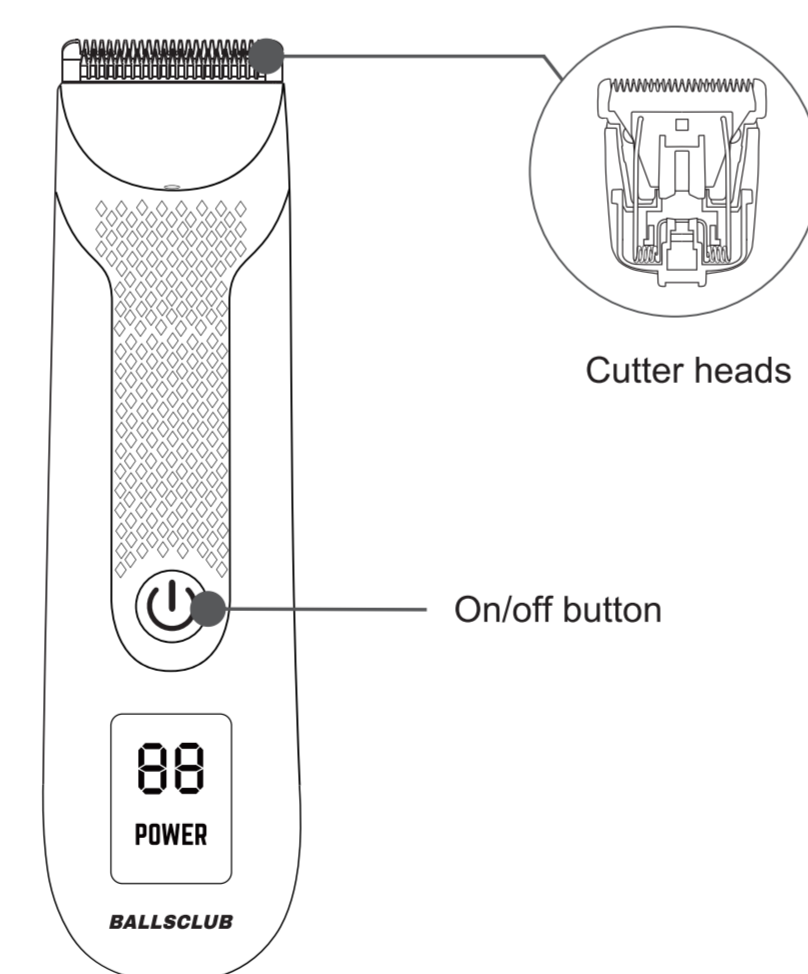
- ◆ Special head in R-shaped corner, no scratches on skins.
- ◆ Being super quiet.
- ◆ With 2 guide combs, easy to cut hair of 4 lengths.
- ◆ As per power and environment, select charging use or plug-in use.
- ◆ Global universal voltage, 5V/DC USB port input with short-circuit protection.
- ◆ 2-color indicator lamp display, it's red in process of charging and turns green in operation.
- ◆ Detachable cutter heads, easy to wipe off scrappy hair.

### Technical Specifications

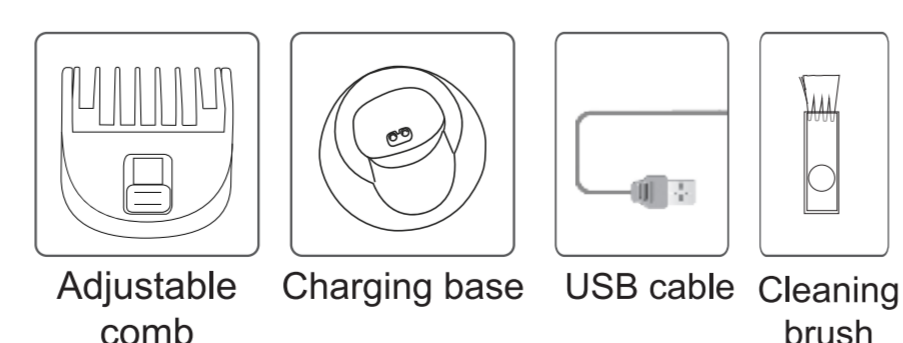
LCD Digital Display  
Built-in rechargeable 600mA Li-Ion battery  
Charging time: 3-4 hours  
Running time: 100-120 mins  
Accessories: USB charging cable, Lubricating oil, Cleaning brush, Charging Base, Adjustable Comb

— 1 —

## Accessories



### Accessories view



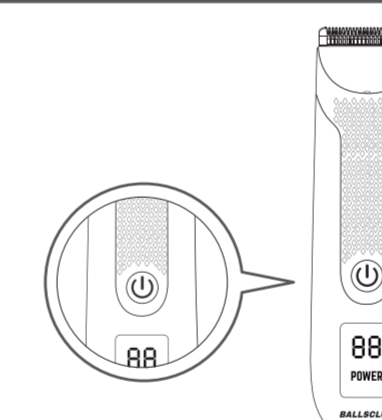
— 2 —

## Using Method

### On/off

Turn it on, the indicator lamp gets green, the blade moves back and forth.

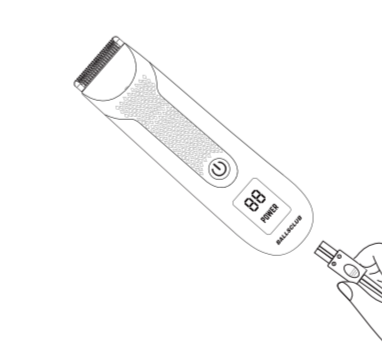
Press down the button again, the clipper closes, with the blade stop moving.



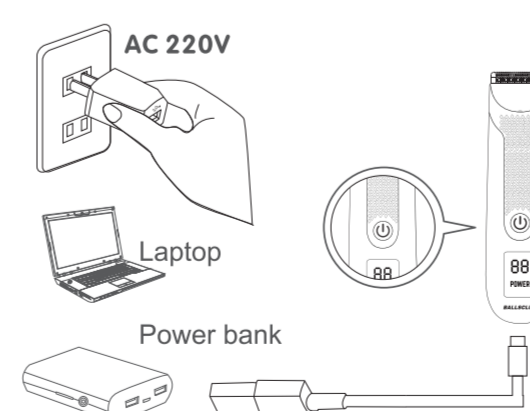
### Switch on reminders

- ◆ Turn on the button, the indicator turns green. When the clipper doesn't work, please turn off the button immediately. Meanwhile, please check if there is anything wrong with the head.

### Plug-in use/charging use



Plug USB 2-hole head in clipper body



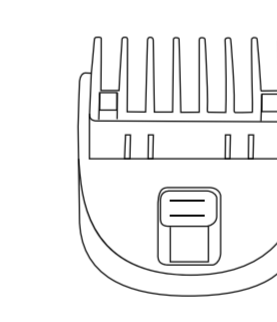
After you have checked the clipper has been closed, just put USB adapter into power socket and then body indicator lamp will be on. (USB plug can be put into any USB socket on the socket, cell phone charger, desk computer, laptop and portable power bank)

Warm Reminder: When you just bought this product, before you use it, please charge it.

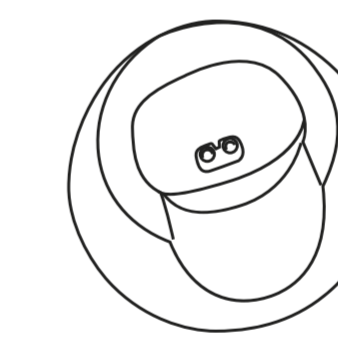
— 3 —

## With and Without Guide Combs

### Guide comb views



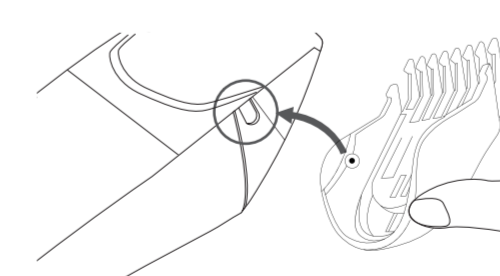
Adjustable comb



Fashion non-slip seat charger

- ◆ Through the guide comb, different length trimming can be adjusted.
- ◆ As per haircut needs, please choose proper guide combs.
- ◆ Seat charger direct charge dual-use

### How to put on or take off the comb



#### Put-on Method

Face the comb to cutter head slot, make sure it's fixed one side and then the other one.



#### Take-off Method

Drag open one side of the guide comb in fingers. Don't draw comb teeth hard, to keep them from being damaged.

### Notes

- ◆ Guide comb carry no wrong operations and control hairstyle thickness effectively.

— 4 —