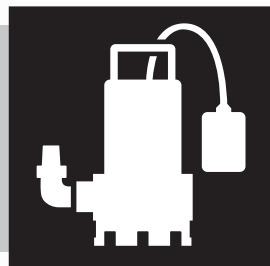




VONROC®

BUILD YOUR FUTURE

SUBMERSIBLE WATER PUMP SP501AC / SP502AC

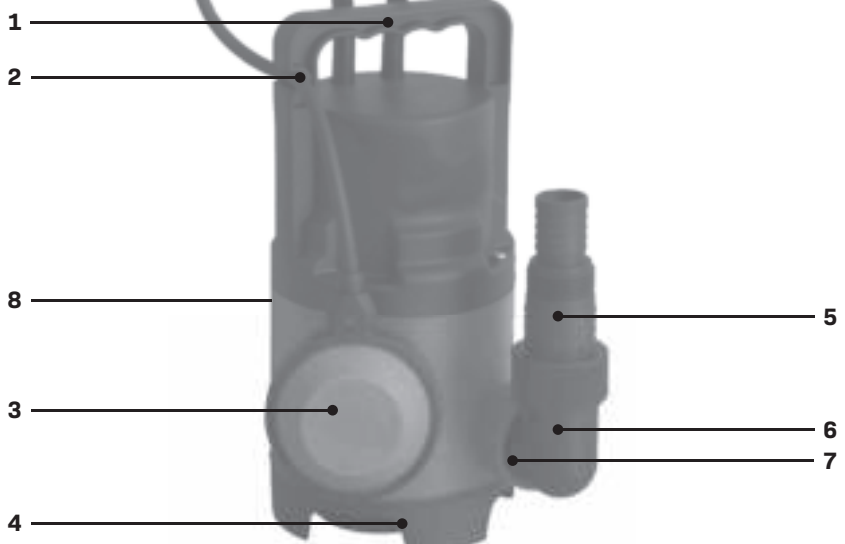


EN	Original Instructions	04
DE	Übersetzung Der Originalbetriebsanleitung	08
NL	Vertaling van de oorspronkelijke gebruiksaanwijzing	13
FR	Traduction de la notice originale	19
ES	Traducción del manual original	24
IT	Traduzione delle istruzioni originali	29
SV	Översättning av bruksanvisning i original	34
DA	Oversættelse af den originale brugsanvisning	38
PL	Tłumaczenie instrukcji oryginalnej	43
RO	Traducere a instrucțiunilor originale	48

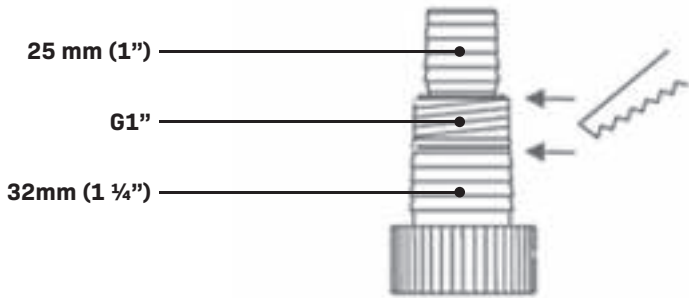
A1 SP501AC



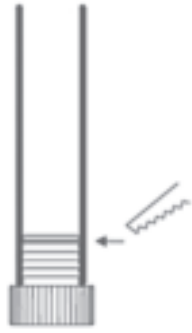
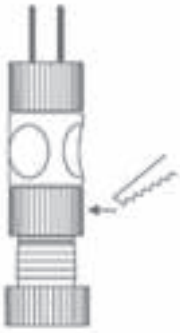
A2 SP502AC



B1



B2



1. SAFETY INSTRUCTIONS

Read the enclosed safety warnings, the additional safety warnings and the instructions. Failure to follow the safety warnings and the instructions may result in electric shock, fire and/or serious injury. Save the safety warnings and the instructions for future reference.

The following symbols are used in the user manual or on the product:



Read the user manual.



Denotes risk of personal injury, loss of life or damage to the tool in case of nonobservance of the instructions in this manual.



Indicates electrical shock hazard.



Protect the appliance against frost.



Max depth.



Do not dispose of the product in unsuitable containers.



The product is in accordance with the applicable safety standards in the European directives.

SAFETY NOTES

THIS APPLIANCE CAN BE USED BY CHILDREN AGED FROM 8 YEARS AND ABOVE AND PERSONS WITH REDUCED PHYSICAL, SENSORY OR MENTAL CAPABILITIES OR LACK OF EXPERIENCE AND KNOWLEDGE IF THEY HAVE BEEN GIVEN SUPERVISION OR INSTRUCTION CONCERNING USE OF THE APPLIANCE IN A SAFE WAY AND UNDERSTAND THE HAZARDS INVOLVED. CHILDREN SHALL NOT PLAY WITH THE APPLIANCE. CLEANING AND USER MAINTENANCE SHALL NOT BE MADE BY CHILDREN WITHOUT SUPERVISION. IF THE SUPPLY CORD IS DAMAGED, IT MUST BE REPLACED BY THE MANUFACTURER, ITS SERVICE AGENT OR SIMILARLY QUALIFIED PERSON IN ORDER TO AVOID A HAZARD. THE PLUG MUST BE REMOVED FROM THE SOCKETOUTLET BEFORE CLEANING OR MAINTAINING THE APPLIANCE.

Please read these instructions carefully and thoroughly before using this appliance and keep

them for future reference. It is very important that you understand how to use this appliance safely so please take the time to familiarise yourself with the requirements as outlined in these instructions.

- If you are in any doubt whatsoever about using this appliance, we strongly recommend that you employ the services of a suitably qualified person.
- Electrical connection must be protected by a residual current device (RCD) at the power socket with a nominal trip current of 30mA (max).
- Keep children and pets well away from the work area and never allow children to use this appliance or touch the extension cord at any time. When not in use, keep this appliance stored in a safe place out of reach of children.
- Never leave the appliance unattended when in use.
- Never pull the appliance by its power cord. Carry it using the carry handle.
- Do not allow the power cord to lay on or across sharp objects that might pierce the outer insulation. Carry out a visual inspection of the power cord before use and if it is damaged, have it replaced by a specialist service centre. Do not use the appliance if the cord is damaged.
- Keep the power cord away from heat, frost, oil, solvents or any sharp objects or edges.
- Electrical connections e.g. extension cable, must be protected from moisture at all times.
- Check that the power rating on your appliance corresponds with the power rating at your mains supply. The supply voltage must be 230VAC.
- Never run this appliance dry - out of the water. If the appliance overheats, the thermal cut-out will switch it off. If this happens wait 5 minutes before using the appliance again.
- Always have the appliance switched off and the plug removed from the power socket before placing it in or removing it from the water. Only switch the power back on with dry hands.
- Never use this appliance in a pond or swimming pool while people are present in the water!
- Do not use the pump for drinking water.
- Corrosive, flammable or explosive substances, grease, oil, salt water and sewage must not be conveyed by the pump.
- The pH of water must be between 6.5 and 8.5.
- The temperature of the liquid conveyed may not exceed 35 °C.

Electrical safety

When using electric machines always observe the safety regulations applicable in your country to reduce the risk of fire, electric shock and personal injury. Read the following safety instructions and also the enclosed safety instructions.



Always check that the power supply corresponds to the voltage on the rating plate.

Connecting to the power supply

Check that the power supply and plug used in accordance with your machine. Have a look at the rating plate on the machine. Any changes should always be carried out by a qualified electrician.



Warning! This machine must be earthed. If not properly earthed this machine can cause an electrical shock. Be sure that the power supply outlet is earthed. If there is any doubt, have it checked by a qualified electrician.



Warning! Avoid contact with the terminals on the plug when installing (removing) the plug to (from) the power supply outlet. Contact will cause a severe electrical shock.

Replacing cables or plugs

Immediately throw away old cables or plugs when they have been replaced by new ones. It is dangerous to insert the plug of a loose cable in the wall outlet.

Using extension cables

Only use an approved extension cable suitable for the power input of the machine. The minimum conductor size is 1.5 mm². When using a cable reel always unwind the reel completely.

2. MACHINE INFORMATION

The pump is intended for private use for draining flooded house and garden areas but also for transferring water to and from tanks and pumping them out, from drawing water from wells and shafts and for draining boats and yachts. Explosive, corrosive, flammable substances, sewage, salt water, grease and oil must not be conveyed by the pump.

The particle sizes of the solids in the dirty water must not exceed the maximum particle size specified in the technical data.

This pump is not designed for continuous operation (e.g. as a swimming pool or pond circulation pump) or for stationary installations (e.g. lifting device, fountain pump).

TECHNICAL SPECIFICATIONS

Model No.	SP501AC	SP502AC
Application	Clean water	Clean or dirty water
Floating switch	Yes	
Voltage	230 VAC / 50Hz	
Input power	300W	400W
Max. flow rate	6500l/h	8000l/h
Max. pressure	0.6 bar	0.55 bar
Max. pumping height	6m	5.5m
Max. depth	7m	
Max. particle size	5mm	25mm
Min. residual water height (manual operation) *	5mm	20mm
Switch-on height (automatic operation) **	50cm	
Switch-off height (automatic operation)	5cm	
Max. water temperature	35°C	
Protection	IPX8	
Built-in thermal motor protector	Yes	
Output hose connection	25mm, 32mm, G1"	
Recommended inner hose diameter	32mm	
Water outlet	G1 ¼"	
Cable length	10m	
Weight	3.22 kg	3.28 kg

* The stated residual water height is only achieved in manual operation.

** The switching height can vary depending on the position of the float switch.

DESCRIPTION

The numbers in the text refer to the diagrams on page 2-3.

1. Carry handle
2. Lock (float switch)
3. Float on/off switch
4. Base
5. Hose connector
6. Water outlet elbow connector
7. Water outlet
8. Vent hole

3. ASSEMBLY



The larger the hose and hose connector diameter, the greater the flow.



32mm (inner diameter) hose must be used to achieve maximum flow rate.



The lower the delivery height, the greater the flow.

Attaching the outlet hose (Fig. A, B)

1. Decide which hose diameter you are going to use. See figure B.
2. Cut off the smaller steps of the hose connector (5) that are not needed, using a suitable knife or saw (not included). This removes unnecessary flow restrictions and ensures maximum pump capacity and water flow.
3. Screw the outlet elbow connector (6) into the water outlet (7).
4. Screw the hose connector (5) on the outlet elbow (6).
5. Fit the hose on to the hose connector (5) and secure with a stainless steel hose clamp (not included).
6. Attach a suitable rope (not included) to the carry handle (1), to lower the pump into deep water and to lift the pump back out of the water. Never lower or lift the pump by its cable.

4. OPERATION



Never use this pump in a pond or swimming pool while people are present in the water!



Never pull the pump by its power cord. The pump must be carried by, and placed in the water using the carry handle (1) or if the

water is deep, be lowered on a rope tied to the carry handle (1).



Always have the pump switched off and the plug removed from the power socket before placing it in or removing it from the water. Only switch the power back on with dry hands.



Never run this pump dry - out of the water. If the appliance overheats, the thermal cut-out will switch it off. If this happens wait 5 minutes before using the pump again.



Automatic air bleed valve: The automatic air bleed valve eliminates any air pockets in the pump. During this process, air escapes through the vent hole (8) and air bubbles appear underwater. This is not a defect of your pump, but serves to remove air from the pump. It may take several seconds for the air to escape when the pump is immersed for the first time.

Automatic operation



The cable length between the float switch (3) and the float switch lock (2) must always be at least 10 cm.

1. To adjust the cut-in and cut-out height, attach the float switch (3) cable to the float switch lock (2) at the required length.
2. Lower the pump into water. It would be advisable to stand the pump on a solid platform at the bottom to keep it upright, if practical to do so. Ensure there are no obstructions around the inlet openings around the base of the pump. The inlet openings must be clear of mud or sludge at the bottom of a pool.
3. Connect the mains plug.
4. When the pump is lowered into the water and the power is switched on, it will start to operate as soon as the floating switch (3) reaches the minimum activation height (approx. 50cm) in the water.
5. The pump switches off as soon as the float switch (3) has reached the switch-off height (approx. 5cm) due to the falling water level.
6. Ensure that the float switch (3) is not obstructed in any way.

7. After use, switch off the pump and remove the mains plug from the mains.
8. Lift the pump back out of the water.

Manual operation

Where manual operation is preferred, the motor can be activated by raising the float switch (3) by hand (ON) or lowering it by hand (OFF).

Finish operation

After use allow the pump to run using clean water for 2 - 3 minutes in order to remove residues and particles that may have accumulated in the pump and outlet hose.

5. MAINTENANCE



Before cleaning and maintenance, always switch off the machine and remove the mains plug from the mains.



During maintenance or cleaning never rest the appliance on the turbine (impeller).

There are no user serviceable parts in this appliance. If the appliance appears to be blocked, switch off the power at the mains, remove the plug from the socket and check the appliance for blockages (see 'Blockages').

BLOCKAGES

If you suspect the pump has become blocked, switch off the power at the mains socket remove the plug and examine the turbine. The turbine can be accessed by removing the securing screws in the base and/or sub base. Alternately try reaching the suspected blockage through the outlet (7) in the side of the pump.



Always flush through with clean water after every use.

STORAGE AND FROST POTECTION

The submersible pump and accessories that are not completely drained can be destroyed by frost. Completely drain the submersible pump and accessories and protect them against frost. Keep this appliance in well-ventilated dry premises with temperature not going below +5°C. When not in use, keep this appliance stored in a safe place out of reach of children.

TROUBLE SHOOTING GUIDE

Problem	Cause	Remedy
Pump does not start	No mains supply Floater restricted	Check mains supply Bring floater to higher position
Pump is active but no water is being delivered	Turbine clogged	Disconnect pump from the power supply and clean or unblock the turbine (see 'BLOCKAGES')
Pump will not switch off	Floater restricted	Bring floater to a lower position
Pump will not start or stops during use. Pump switched off after short operating periods	Thermal overload safety switch has activated	Disconnect from the power supply, leave for 2 minutes and clear the turbine (if required - see 'Blockages')
	Power has tripped	Check fuses and electrical connections
	Turbine clogged	Disconnect pump from the power supply and clean or unblock the turbine (see 'BLOCKAGES')
	Water too hot	Ensure that the water temperature has not exceeded the maximum of 35 C

ENVIRONMENT



Faulty and/or discarded electrical or electronic apparatus have to be collected at the appropriate recycling locations.

Only for EC countries

Do not dispose of power tools into domestic waste. According to the European Guideline 2012/19/ EU for Waste Electrical and Electronic Equipment and its implementation into national right, power tools that are no longer usable must be collected separately and disposed of in an environmentally friendly way.

WARRANTY

VONROC products are developed to the highest quality standards and are guaranteed free of defects in both materials and workmanship for the period lawfully stipulated starting from the date of original purchase. Should the product develop any failure during this period due to defective material and/or workmanship then contact VONROC directly.

The following circumstances are excluded from this guarantee:

- Repairs and or alterations have been made or attempted to the machine by unauthorized service centers;
- Normal wear and tear;
- The tool has been abused, misused or improperly maintained;
- Non-original spare parts have been used.

This constitutes the sole warranty made by company either expressed or implied. There are no other warranties expressed or implied which extend beyond the face hereof, herein, including the implied warranties of merchantability and fitness for a particular purpose. In no event shall VONROC be liable for any incidental or consequential damages. The dealers remedies shall be limited to repair or replacement of nonconforming units or parts.

The product and the user manual are subject to change. Specifications can be changed without further notice.

1. SICHERHEITSANWEISUNGEN

Lesen Sie die beigegefügte Sicherheitswarnungen, die zusätzlichen Sicherheitswarnungen und die Anweisungen. Die Nichteinhaltung der Sicherheitswarnungen und der Anweisungen kann in einem Stromschlag, Brand und/oder in schweren Verletzungen resultieren. Bewahren Sie die Sicherheitswarnungen und Anweisungen für künftige Referenzzwecke auf.

Die folgenden Symbole werden im Benutzerhandbuch oder auf dem Produkt verwendet:



Lesen Sie das Benutzerhandbuch.



Lebens- und Verletzungsgefahr und Gefahr von Beschädigungen am Werkzeug/ Gerät bei Nichteinhaltung der Anweisungen in dieser Bedienungsanleitung.



Deutet das Vorhandensein elektrischer Spannung an.



Gerät vor Frost schützen.



Max. Tiefe.



Entsorgen Sie das Produkt nicht in hierfür nicht vorgesehenen Abfallbehältern.



Das Produkt entspricht den geltenden Sicherheitsnormen der europäischen Richtlinien.

SICHERHEITSHINWEISE

DIESES GERÄT KANN VON KINDERN AB 8 JAHREN UND DARÜBER SOWIE VON PERSONEN MIT VERRINGERTEN PHYSISCHEN, SENSORISCHEN ODER MENTALEN FÄHIGKEITEN ODER MANGEL AN ERFAHRUNG UND WISSEN BENUTZT WERDEN, WENN SIE BEAUF SICHTIGT ODER BEZÜGLICH DES SICHEREN GEBRAUCHS DES GERÄTES UNTERWIESEN WURDEN UND DIE DARAUS RESULTIERENDEN GEFAHREN VERSTEHEN. KINDER DÜRFEN NICHT MIT DEM GERÄT SPIELEN. REINIGUNG UND BENUTZER-WARTUNG DÜRFEN NICHT VON KINDERN OHNE BEAUF SICHTIGUNG DURCHGEFÜHRT WERDEN. BESCHÄDIGTE NETZKABEL MÜSSEN DURCH DEN HERSTELLER, DESSEN KUNDENDIENST ODER ÄHNLICH QUALIFIZIERTE FACHLEUTE AUSGETAUSCHT WERDEN, UM GEFAH-

RENSITUATIONEN ZU VERMEIDEN. DER STECKER MUSS VOR DER REINIGUNG ODER WARTUNG DES GERÄTS AUS DER STECKDOSE GEZOGEN WERDEN.

Bitte lesen Sie diese Anleitung vor dem Gebrauch des Geräts sorgfältig und gründlich durch und bewahren Sie sie zum späteren Nachschlagen auf. Es ist sehr wichtig, dass Sie genau verstehen, wie Sie dieses Gerät sicher verwenden können. Nehmen Sie sich daher bitte die Zeit, sich mit den Anforderungen in dieser Anleitung vertraut zu machen.

- Wenn Sie Zweifel haben, wie Sie dieses Gerät richtig verwenden, empfehlen wir Ihnen dringend, die Dienste einer entsprechend qualifizierten Person in Anspruch zu nehmen.
- Der elektrische Anschluss muss durch eine Fehlerstromschutzeinrichtung (RCD) an der Steckdose mit einem Nennauslösestrom von maximal 30 mA geschützt werden.
- Halten Sie Kinder und Haustiere vom Arbeitsbereich des Geräts fern und erlauben Sie Kindern niemals, es zu benutzen oder das Verlängerungskabel zu berühren. Das Gerät an einem sicheren Ort außerhalb der Reichweite von Kindern lagern, wenn es nicht in Gebrauch ist.
- Lassen Sie das Gerät nie unbeaufsichtigt, während es läuft.
- Ziehen Sie das Gerät niemals am Stromkabel. Transportieren Sie es nur am Tragegriff.
- Das Stromkabel nicht auf oder über spitze Objekte legen, welche die Außenisolierung durchbohren könnten. Eine Sichtprüfung des Stromkabels durchführen, und wenn das Kabel beschädigt ist, von einem speziellen Servicezentrum austauschen lassen. Das Gerät nicht verwenden, wenn das Kabel beschädigt ist.
- Halten Sie das Stromkabel von Hitze, Frost, Öl, Lösungsmitteln und scharfen Gegenständen oder Kanten fern.
- Elektrische Verbindungen, z.B. Verlängerungskabel, müssen jederzeit vor Feuchtigkeit geschützt werden.
- Überprüfen Sie, ob die Nennleistung des Geräts mit der Nennleistung Ihres Stromnetzes übereinstimmt. Die Versorgungsspannung muss 230VAC betragen.
- Lassen Sie dieses Gerät niemals trocken - also außerhalb des Wassers - laufen. Wenn sich das Gerät überhitzt, schaltet der Thermoschutzschalter das Gerät ab. Warten Sie in dem Fall 5

Minuten, bevor Sie das Gerät wieder verwenden.

- Lassen Sie das Gerät immer ausgeschaltet und ziehen Sie den Stecker aus der Steckdose, bevor Sie es ins Wasser stellen oder aus dem Wasser herausnehmen. Schalten Sie den Strom nur mit trockenen Händen wieder ein.
- Benutzen Sie dieses Gerät niemals in einem Teich oder Schwimmbad, solange sich Personen im Wasser aufhalten!
- Verwenden Sie die Pumpe nicht für Trinkwasser.
- Ätzende, entflammbare oder explosive Stoffe, Fett, Öl, Salzwasser und Abwasser dürfen von der Pumpe nicht gefördert werden.
- Der pH-Wert des Wassers muss zwischen 6,5 und 8,5 liegen.
- Die Temperatur der geförderten Flüssigkeit darf 35 °C nicht überschreiten.

Sicherheit bei Elektrizität

Beachten Sie bei der Arbeit mit elektrischen Werkzeugen/Geräten stets die in Ihrem Land geltenden Sicherheitsvorschriften, um Personenschäden, Stromschläge und Brände zu vermeiden. Lesen Sie die folgenden Sicherheitshinweise sowie die beiliegenden Sicherheitshinweise sorgfältig durch.



Stellen Sie immer sicher, dass die Spannung der Stromversorgung der Nennspannung auf dem Typenschild des Werkzeugs/ Geräts entspricht.

Anschluss an die Stromversorgung

Überprüfen Sie, ob die Werte auf dem Netzteil und dem verwendeten Stecker mit denen Ihres Geräts übereinstimmen. Beachten Sie das Typenschild an der Maschine. Änderungen dürfen nur von einem qualifizierten Elektriker durchgeführt werden.



Warnung! Dieses Gerät muss geerdet werden. Wenn dieses Gerät nicht ordnungsgemäß geerdet ist, kann es einen Stromschlag verursachen. Stellen Sie sicher, dass die Netzsteckdose geerdet ist. Lassen Sie diese Punkte im Zweifelsfall von einem qualifizierten Elektriker überprüfen.



Warnung! Vermeiden Sie beim Einstecken (bzw. Herausziehen) des Steckers in die (bzw. aus der) Steckdose den Kontakt mit den Anschlüssen des Steckers. Ein Kontakt verursacht einen schweren Stromschlag.

Austauschen von Kabeln oder Steckern

Wenn die Anschlussleitung beschädigt wird, muss sie durch eine besondere Anschlussleitung ersetzt werden, die vom Hersteller oder seinem Kundendienst erhaltlich ist. Entsorgen Sie alte Kabeln oder Stecker, unmittelbar nachdem Sie durch neue ersetzt sind. Das Anschließen eines Steckers eines losen Kabels an eine Steckdose ist gefährlich.

Verwendung von Verlängerungskabeln

Benutzen Sie nur ein genehmigtes Verlängerungskabel, das der Maschinenleistung entspricht. Die Ader müssen einen Mindestquerschnitt von 1,5 mm² haben. Befindet das Kabel sich auf einem Haspel muß es völlig abgerollt werden.

2. ANGABEN ZUM WERKZEUG

Verwendungszweck

Die Pumpe ist für den privaten Gebrauch zur Entwässerung überfluteter Haus- und Gartenbereiche, aber auch zum Umfüllen und Abpumpen von Wasser in und aus Tanks, zur Wasserentnahme aus Brunnen und Schächten sowie zur Entwässerung von Booten und Yachten bestimmt. Explosive, korrosive, brennbare Stoffe, Abwasser, Salzwasser, Fette und Öle dürfen von der Pumpe nicht gefördert werden.

Die Partikelgrößen der Feststoffe im Schmutzwasser dürfen die in den technischen Daten angegebene maximale Partikelgröße nicht überschreiten.

Diese Pumpe ist nicht für den Dauerbetrieb (z.B. als Schwimmbad- oder Teichumwälzpumpe) oder für stationäre Anlagen (z.B. Hebevorrichtung, Springbrunnenpumpe) ausgelegt.

TECHNISCHE DATEN

Modellnummer	SP501AC	SP502AC
Anwendung	Sauberes Wasser	Sauberes oder schmutziges Wasser
Schwimmschalter	Ja	
Spannung	230 VAC / 50Hz	
Aufnahmeleistung	300W	400W
Max. Durchsatz	6500l/h	8000l/h
Maximaldruck	0.6 bar	0.55 bar

Max. Förderhöhe	6m	5.5m
Max. Tiefe	7m	
Max. Partikelgröße	5mm	25mm
Min. Restwasserhöhe (manueller Betrieb) *	5mm	20mm
Einschalhöhe (Automatikbetrieb) **	50cm	
Ausschalhöhe (Automatikbetrieb)	5cm	
Max. Wassertemperatur	35°C	
Schutz	IPX8	
Eingebauter thermischer Motorschutz	Ja	
Anschluss für Schlauchausgang	25mm, 32mm, G1"	
Empfohlener Innendurchmesser des Schlauchs	32mm	
Wasserablauf	G1 ¼"	
Kabellänge	10m	
Gewicht	3.22 kg	3.28 kg

* Die angegebene Restwasserhöhe wird nur im manuellen Betrieb erreicht.

** Die Schalhöhe kann je nach Position des Schwimmschalters variieren.

BESCHREIBUNG

Die Zahlen im Text beziehen sich auf die Abbildungen auf den Seiten 2 - 3.

1. Tragegriff
2. Sperrn (Schwimmschalter)
3. Schwimmschalter Ein/Aus
4. Basis
5. Schlauchanschluss
6. Kniestück für Wasserablauf
7. Wasserablauf
8. Lüftungsloch

3. MONTAGE



Je größer der Durchmesser des Schlauchs und des Schlauchanschlusses, desto größer der Durchfluss.



Ein Schlauch mit 32 mm Innendurchmesser sollte verwendet werden, um die maximale Durchflussrate zu erreichen.



Je niedriger die Förderhöhe, desto größer der Durchfluss.

Anbringen des Ablaufschlauchs (Abb. A, B)

1. Wählen Sie einen geeigneten Schlauchdurchmesser. Siehe Abbildung B.
2. Schneiden Sie die nicht benötigten kleineren Stufen des Schlauchanschlusses (5) mit einem geeigneten Messer oder einer Säge (nicht im Lieferumfang enthalten) ab. Dadurch werden unnötige Durchflussbeschränkungen beseitigt und die maximale Pumpenkapazität sowie der maximale Wasserfluss gewährleistet.
3. Schrauben Sie das Ablaufkniestück (6) in den Wasserablauf (7).
4. Schrauben Sie den Schlauchanschluss (5) auf den Ablaufkrümmer (6).
5. Stecken Sie den Schlauch auf den Schlauchanschluss (5) und sichern Sie ihn mit einer Schlauchschelle aus Edelstahl (nicht im Lieferumfang enthalten).
6. Befestigen Sie ein geeignetes Seil (nicht im Lieferumfang enthalten) am Tragegriff (1), um die Pumpe in tiefes Wasser abzusenken bzw. wieder aus dem Wasser zu heben. Die Pumpe darf niemals am Kabel abgesenkt oder angehoben werden.

4. BETRIEB



Benutzen Sie diese Pumpe niemals in einem Teich oder Schwimmbad, solange sich Personen im Wasser aufhalten!



Ziehen Sie die Pumpe niemals am Stromkabel. Die Pumpe darf nur am Tragegriff (1) transportiert und ins Wasser gestellt werden. Bei tiefem Wasser muss dazu am Tragegriff (1) ein Seil befestigt werden.



Lassen Sie die Pumpe immer ausgeschaltet und ziehen Sie den Stecker aus der Steckdose, bevor Sie sie ins Wasser stellen oder aus dem Wasser herausnehmen. Schalten Sie den Strom nur mit trockenen Händen wieder ein.



Lassen Sie diese Pumpe niemals trocken - also außerhalb des Wassers - laufen. Wenn sich das Gerät überhitzt, schaltet der Thermoschutzschalter das Gerät ab. Warten Sie in dem Fall 5 Minuten, bevor Sie die Pumpe wieder verwenden.



Automatisches Entlüftungsventil: Das automatische Entlüftungsventil beseitigt alle Lufteinschlüsse aus der Pumpe. Dabei entweicht Luft durch das Lüftungsloch (8) und unter Wasser erscheinen Luftblasen. Dies ist kein Defekt der Pumpe, sondern es dient dazu, Luft aus der Pumpe zu entfernen. Wenn die Pumpe zum ersten Mal eingetaucht wird, kann es einige Sekunden dauern, bis die Luft entweicht.

Automatikbetrieb



Die Kabellänge zwischen dem Schwimmerschalter (3) und dem Schwimmerschalterverschluss (2) muss immer mindestens 10 cm betragen.

1. Um die Ein- und Ausschalhöhe einzustellen, befestigen Sie das Kabel des Schwimmerschalters (3) in der erforderlichen Länge an der Schwimmerschalterverschluss (2).
2. Senken Sie die Pumpe ins Wasser ab. Es ist ratsam, die Pumpe auf einer soliden Plattform am Boden aufzustellen, um sie aufrecht zu halten, falls dies möglich ist. Stellen Sie sicher, dass um die Einlassöffnungen an der Basis der Pumpe herum keine Hindernisse vorhanden sind. Die Einlassöffnungen am Boden eines Pools müssen frei von Matsch oder Schlamm sein.
3. Stecken Sie den Netzstecker in die Steckdose.
4. Wenn die Pumpe ins Wasser abgesenkt und der Strom eingeschaltet wird, beginnt sie zu arbeiten, sobald der Schwimmerschalter (3) die minimale Aktivierungshöhe (ca. 50 cm) im Wasser erreicht.
5. Die Pumpe schaltet ab, sobald der Schwimmerschalter (3) aufgrund des sinkenden Wasserspiegels die Abschalthöhe (ca. 5 cm) erreicht hat.
6. Stellen Sie sicher, dass der Schwimmerschalter (3) in keiner Weise behindert wird.
7. Schalten Sie die Pumpe nach der Verwendung immer aus und ziehen Sie den Netzstecker aus der Steckdose.
8. Heben Sie die Pumpe wieder aus dem Wasser.

Manueller Betrieb

Wenn der manuelle Betrieb bevorzugt wird, kann der Motor aktiviert werden, indem der Schwimmerschalter (3) von Hand angehoben (ON) oder von Hand abgesenkt (OFF) wird.

Beenden des Pumpvorgangs

Lassen Sie die Pumpe nach Gebrauch 2 - 3 Minuten lang mit sauberem Wasser laufen, um Rückstände und Partikel zu entfernen, die sich in der Pumpe und im Ablaufschlauch angesammelt haben könnten.

5. WARTUNG



Schalten Sie das Gerät vor der Reinigung und Wartung immer aus, und ziehen Sie den Netzstecker aus der Steckdose.



Während der Wartung oder Reinigung darf das Gerät niemals auf der Turbine (Lauftrad) abgesetzt werden.

Dieses Gerät enthält keine Teile, die vom Benutzer gewartet werden können. Wenn das Gerät blockiert zu sein scheint, schalten Sie den Strom an der Netzsteckdose ab, ziehen den Stecker aus der Steckdose und überprüfen das Gerät auf Blockaden (siehe Abschnitt „Blockaden“).

BLOCKADEN

Wenn Sie vermuten, dass die Pumpe blockiert ist, schalten Sie den Strom an der Netzsteckdose ab, ziehen den Stecker heraus und untersuchen die Turbine. Die Turbine wird zugänglich, indem die Befestigungsschrauben in der Basis und/oder Unterboden entfernt werden. Versuchen Sie alternativ, die vermutete Verstopfung durch den Ablauf (7) an der Seite der Pumpe zu erreichen.



Nach jedem Gebrauch immer mit sauberem Wasser durchspülen.

LAGERUNG UND FROSTSCHUTZ

Wenn Flüssigkeiten nicht vollständig aus der Tauchpumpe und dem Zubehör abgelassen werden, können die Geräte durch Frost zerstört werden. Entleeren Sie Tauchpumpe und Zubehör daher vollständig und schützen Sie sie vor Frost. Bewahren Sie das Gerät an einem gut belüfteten, trockenen Ort auf, an dem die Temperatur nicht unter +5°C fällt.

Das Gerät an einem sicheren Ort außerhalb der Reichweite von Kindern lagern, wenn es nicht in Gebrauch ist.

ANLEITUNG ZUR FEHLERBEHEBUNG

Problem	Ursache	Behebung
Pumpe startet nicht	Keine Stromversorgung Schwimmer wird behindert	Stromversorgung überprüfen Schwimmer in höhere Position bringen
Pumpe ist aktiv, aber es wird kein Wasser gefördert	Turbine verstopft	Pumpe von der Stromversorgung trennen und die Turbine reinigen oder freigeben (siehe Abschnitt „BLOCKADEN“)
Pumpe schaltet sich nicht aus	Schwimmer wird behindert	Schwimmer in tiefere Position bringen
Die Pumpe startet oder stoppt nicht während des Gebrauchs. Pumpe schaltet sich nach kurzen Betriebszeiten aus	Thermischer Überlastschuttschalter hat ausgelöst	Von der Stromversorgung trennen, 2 Minuten lang stehen lassen und die Turbine frei machen (falls erforderlich - siehe Abschnitt „Blockaden“)
	Strom ist ausgefallen	Sicherungen und elektrische Verbindungen überprüfen
	Turbine verstopft	Pumpe von der Stromversorgung trennen und die Turbine reinigen oder freigeben (siehe Abschnitt „BLOCKADEN“)
	Zu heißes Wasser	Stellen Sie sicher, dass die Wassertemperatur nicht höher als 35°C ist

UMWELTSCHUTZ



Schadhafte und/oder zu entsorgende elektrische oder elektronische Werkzeuge und Geräte müssen an den dafür vorgesehenen Recycling-Stellen abgegeben werden.

Nur für EG-Länder

Entsorgen Sie Elektrowerkzeuge nicht über den Hausmüll. Entsprechend der EU-Richtlinie 2012/19/EG über Elektro- und Elektronik-Altgeräte sowie der Umsetzung in nationales Recht müssen Elektrowerkzeuge, die nicht mehr im Gebrauch sind, getrennt gesammelt und umweltschonend entsorgt werden.

GARANTIE

VONROC-Produkte werden nach den höchsten Qualitätsstandards entwickelt und sind für den gesetzlich festgelegten Zeitraum, ausgehend von dem ursprünglichen Kaufdatum, garantiert frei von Fehlern in Material und Ausführung. Sollte das Produkt in diesem Zeitraum aufgrund von Material- und/oder Verarbeitungsmängeln Fehler aufweisen, wenden Sie sich bitte direkt an VONROC Kundendienst.

Folgende Umstände sind von der Garantie ausgeschlossen:

- Reparaturen und oder Änderungen an der Maschine, die durch nicht-autorisierte Servicestellen vorgenommen oder versucht wurden.
- Normale Abnutzung und Verschleiß.
- Das Werkzeug wurde übermäßig beansprucht, missbräuchlich verwendet oder falsch gewartet.
- Es wurden keine Original-Ersatzteile verwendet.

Dies stellt die einzige Gewährleistung des Unternehmers dar, sowohl ausdrücklich als auch implizit. Es gibt keine anderen ausdrücklichen oder stillschweigenden Garantien, die über das hier Genannte hinausgehen, einschließlich der stillschweigenden Garantien der Marktgängigkeit oder Eignung für einen bestimmten Zweck. In keinem Fall ist VONROC haftbar für Neben- oder Folgeschäden. Die Rechtsmittel des Händlers beschränken sich auf Reparatur oder Ersatz fehlerhafter Einheiten oder Teile.

Am Produkt und am Benutzerhandbuch können Änderungen vorgenommen werden. Die technischen Daten können sich ohne Vorankündigung ändern.

1. VEILIGHEIDSVOORSCHRIFTEN

Lees de bijgesloten veiligheidsvoorschriften, de aanvullende veiligheidsvoorschriften en de instructies. Het niet in acht nemen van de veiligheidsvoorschriften en de instructies kan leiden tot elektrische schok, brand en/of ernstig letsel. Bewaar de veiligheidsvoorschriften en de instructies voor toekomstig gebruik.

De volgende symbolen worden gebruikt in de gebruikershandleiding of op het product:



Lees de gebruikershandleiding.



Gevaar voor lichamelijk letsel, overlijden of schade aan de machine wanneer de instructies in deze handleiding niet worden opgevolgd.



Gevaar voor elektrische schokken.



Apparaat tegen vorst beschermen.



Max. diepte.



Werp het product niet weg in ongeschikte containers.



Het product is in overeenstemming met de van toepassing zijnde veiligheidsnormen in de Europese richtlijnen.

VEILIGHEIDSWAARSCHUWINGEN

DIT APPARAAT MAG WORDEN GEBRUIKT DOOR KINDEREN VANAF 8 JAAR EN DOOR PERSONEN MET VERMINDERDE LICHAAMELIJKE, ZINTUIGLIJKE OF GEESTELIJKE VERMOGENS, OF MET EEN GEBREK AAN ERVARING EN KENNIS, MITS ZIJ ONDER TOEZICHT STAAN OF GEÏNSTRUEERD ZIJN BETREFFENDE HET VEILIG GEBRUIK VAN HET APPARAAT EN ZICH BEWUST ZIJN VAN DE ERMEE VERBODEN RISICO'S. KINDEREN MOGEN NIET MET HET APPARAAT SPELEN. REINIGING EN GEBRUIKSONDERHOUD MOGEN NIET DOOR KINDEREN ZONDER TOEZICHT WORDEN UITGEVOERD. OM GEVAARLIJKE SITUATIES TE VOORKOMEN MOET HET NETSNOER DOOR DE FABRIKANT, ZIJN SERVICEMEDEWERKERS OF ANDERE GEKWALIFICEERDE PERSONEN WORDEN VERVANGEN ALS HET IS BESCHADIGD. DE STEKKER MOET UIT HET STOPCONTACT WORDEN

GETROKKEN VOORDAT U HET APPARAAT REINIGT OF ONDERHOUD UITVOERT.

Lees voor u dit apparaat in gebruik neemt, deze instructies aandachtig en grondig door, en bewaar ze voor toekomstig gebruik. Het is zeer belangrijk dat u begrijpt hoe u dit apparaat veilig moet gebruiken, neem dus de tijd om kennis te nemen van de eisen zoals deze in deze instructies uiteen worden gezet.

- Als u op welke manier dan ook twijfelt over het gebruiken van dit apparaat, adviseren wij u ten zeerste de diensten van een geschikte persoon met de juiste kwalificaties in te roepen,.
- De elektrische aansluiting moet worden beveiligd met een reststroomschakelaar (Residual Current Device (RCD)) op het stopcontact met een nominale inschakelstroom van 30mA (max).
- Houd kinderen en huisdieren op voldoende afstand van het werkgebied en laat nooit kinderen dit apparaat gebruiken of te eniger tijd het verlengsnoer aanraken. Berg het apparaat, wanneer u het niet gebruikt, op buiten bereik van kinderen.
- Laat het apparaat nooit onbeheerd achter wanneer het in gebruik is.
- Trek het apparaat nooit naar u toe aan het netsnoer. Draag het aan de draaghandgreep.
- Let erop dat het netsnoer niet op of over scherpe voorwerpen mag liggen, die de isolatiemantel zouden kunnen doorboren. Voer een visuele inspectie uit van het netsnoer voordat u het apparaat gebruikt, en laat het netsnoer door een gespecialiseerd servicecentrum vervangen, als het is beschadigd. Gebruik het apparaat niet als het snoer is beschadigd.
- Houd het netsnoer weg bij warmtebronnen, vrieskou, olie, oplosmiddelen of scherpe voorwerpen of randen.
- De elektrische aansluitingen bijv. een verlengsnoer, moet te allen tijde tegen vocht worden beschermd.
- Controleer dat het nominale vermogen op het apparaat overeenkomt met het nominale vermogen van uw stroomvoorziening. De voedingsspanning moet 230VAC zijn.
- Gebruik dit apparaat nooit droog - zonder water. Als het apparaat oververhit raakt, schakelt de thermische beveiliging het uit. Als dit gebeurt, wacht dan 5 minuten voor u het apparaat weer gebruikt.

- Schakel het apparaat altijd uit en trek de stekker uit het stopcontact, voordat u het in het water zet of uit het water haalt. Schakel het apparaat alleen weer in met droge handen.
- Gebruik dit apparaat nooit in een vijver of een zwembad terwijl er mensen in het water zijn!
- Gebruik de pomp niet voor drinkwater.
- U mag met de pomp geen corroderende, brandbare of explosieve stoffen, vet, olie, zout water en rioolwater pompen.
- De pH-waarde van water moet tussen 6,5 en 8,5 liggen.
- De temperatuur van de vloeistof die wordt gepompt mag niet hoger zijn dan 35 °C.

Elektrische veiligheid

Neem bij het gebruik van elektrische machines altijd de plaatselijk geldende veiligheidsvoorschriften in acht in verband met brandgevaar, gevaar voor elektrische schokken en lichamelijk letsel. Lees behalve onderstaande instructies ook de veiligheidsvoorschriften in het apart bijgevoegde veiligheidskatern door.



Controleer altijd of uw netspanning overeenkomt met de waarde op het typeplaatje.

Verbinding maken met de stroomvoorziening

Controleer dat de voeding en de stekker die wordt gebruikt passen bij de machine. Kijk naar het typeplaatje op de machine. Eventuele veranderingen moeten altijd worden uitgevoerd door een gekwalificeerde elektricien.



Waarschuwing! Deze machine moet op aarde worden aangesloten. Als de machine niet op juiste wijze is geaaid, kan dat een elektrische schok tot gevolg hebben. Controleer dat het stopcontact is geaaid. Laat bij twijfel een controle uitvoeren door een gekwalificeerde elektricien.



Waarschuwing! Vermijd contact met aansluitpunten van de stekker wanneer u de stekker in het stopcontact steekt of uit het stopcontact trekt. Contact veroorzaakt een ernstige elektrische schok.

Bij vervanging van snoeren of stekkers

Wanneer het netsnoer beschadigd raakt, dan dient het vervangen te worden door een speciaal netsnoer dat verkrijgbaar is bij de fabrikant of de customer service van de fabrikant. Gooi oude snoeren of stekkers direct weg zodra ze door nieuwe exemplaren zijn vervangen. Het is gevaarlijk om de stekker van een los snoer in een stopcontact te steken.

Bij gebruik van verlengsnoeren

Gebruik uitsluitend een goedgekeurd verlengsnoer, dat geschikt is voor het vermogen van de machine. De aders moeten een doorsnede hebben van minimaal 1,5 mm². Wanneer het verlengsnoer op een haspel zit, rol het snoer dan helemaal af.

2. TECHNISCHE INFORMATIE

Bedoeld gebruik

De pomp is bedoeld voor particulier gebruik voor het leegpompen van een ondergelopen huis of ondergelopen tuinen, maar ook voor het overpompen van water van en naar tanks, het leegpompen van tanks, het pompen van water uit een bron en een schacht en voor het leegpompen van boten en jachten. Explosieve, corroderende, brandbare stoffen, rioolwater, zout water, vet en olie mogen niet met de pomp worden gepompt.

De grootte van de deeltjes van vaste stoffen in vuil water mag niet de maximale grootte van deeltjes die in de technische gegevens wordt vermeld, overschrijden.

Het niet de bedoeling dat deze pomp zonder onderbreking (bijv. als circulatiepomp voor een zwembad of een vijver) of voor vaste installaties (bijv. een hefwerktuig, als pomp voor een fontein) wordt gebruikt.

TECHNISCHE SPECIFICATIES

Modelnr.	SP501AC	SP502AC
Toepassing	Schoon water	Schoon of vuil water
Vlotterschakelaar	Ja	
Voltage	230 VAC / 50Hz	
Ingangsvermogen	300W	400W
Max. doorstroomsnelheid	6500l/h	8000l/h

Max. druk	0.6 bar	0.55 bar
Max. opvoerhoogte	6m	5.5m
Max. diepte	7m	
Max. grootte deeltjes	5mm	25mm
Max. hoogte restwater (handmatige werking) *	5mm	20mm
Inschakelhoogte (automatische werking) **	50cm	
Uitschakelhoogte (automatische werking)	5cm	
Max. watertemperatuur	35°C	
Beveiliging	IPX8	
Ingebouwde thermische beveiliging motor	Ja	
Aansluiting afvoerslang	25mm, 32mm, G1"	
Aanbevolen diameter binnenslang	32mm	
Water-uitgang	G1 ¼"	
Kabellengte	10m	
Gewicht	3.22 kg	3.28 kg

* De vermelde hoogte van restwater wordt alleen bereikt bij handmatige werking.

** De schakelhoogte kan variëren afhankelijk van de positie van de vlotterschakelaar.

BESCHRIJVING

De nummers in de tekst verwijzen naar de diagrammen op pagina 2 -3.

1. Draaghandgreep
2. Vergrendeling (vlotterschakelaar)
3. Aan/Uit-schakelaar vlotter
4. Grondplaat
5. Slangconnector
6. Hoekverbinding water-uitgang
7. Water-uitgang
8. Luchtgat

3. MONTAGE



Hoe groter de diameter van de slang en de slangconnector, des te groter de doorstroming.



Slag van 32mm (binnendiameter) moet worden gebruikt voor de maximale doorstromingsnelheid.



Hoe lager de oppomphoogte, des te groter de doorstroming.

De afvoerslang bevestigen (Afb. A, B)

1. Neem een besluit over de diameter van de slang die u gaat gebruiken. Zie afbeelding B.
2. Sluit de kleinere ringen van de slangconnector (5), die niet nodig zijn, af met een geschikt mes of een geschikte zaag (niet meegeleverd). Zo verwijdert u onnodige belemmeringen van de doorstroming en waarborgt u de maximale pompcapaciteit en de waterdoorstroming.
3. Schroef de hoekconnector (6) van de uitgang in de wateruitgang (7).
4. Schroef de slangconnector (5) op de hoekconnector (6).
5. Plaats de slang op de slangconnector (5) en zet vast met een roestvrijstalen slangklem (niet meegeleverd).
6. Bevestig een geschikt stuk touw (niet meegeleverd) aan de draaghandgreep (1), zodat u de pomp in diep water kunt laten en weer uit het water kunt hijsen. Laat de pomp nooit zakken en haal de pomp nooit op aan het netsnoer.

4. WERKING



Gebruik deze pomp nooit in een vijver of een zwembad terwijl er mensen in het water zijn!



Trek de pomp nooit naar u toe aan het netsnoer. De pomp moet worden gedragen aan, en in het water worden geplaatst met behulp van de draaghandgreep (1) of als het water diep is, moet u de pomp laten zakken aan een touw dat aan de draaghandgreep (1) is gebonden.



Schakel het apparaat altijd uit en trek de stekker uit het stopcontact, voordat u het in het water zet of uit het water haalt. Schakel het apparaat alleen weer in met droge handen.



Gebruik dit apparaat nooit droog - uit het water. Als het apparaat oververhit raakt,

schakelt de thermische beveiliging het uit. Als dit gebeurt, wacht dan 5 minuten voor u het apparaat weer gebruikt.



Automatische ontluuchtingsklep: Met behulp van de automatische ontluuchtingsklep kunt u ervoor zorgen dat er geen lucht in de pomp zit. Er ontsnapt dan lucht via het ontluuchtingsgat (8) en er zijn luchtballen te zien onder water. Dit wijst niet op een defect van de pomp, maar dient om de lucht uit de pomp te verdrijven. Het kan wel enkele seconden duren voordat de lucht uit de pomp is ontsnapt, wanneer de pomp voor de eerste keer wordt ondergedompeld.

Automatische werking



De lengte van de kabel tussen de vlotter-schakelaar (3) en de vergrendeling (2) van de vlotterschakelaar moet altijd ten minste 10 cm zijn.

1. U kunt de inschakel- en uitschakelhoogte afstellen door de kabel van de vlotterschakelaar (3) op de vereiste lengte op de vergrendeling (2) van de vlotterschakelaar te bevestigen.
2. Laat de pomp in het water zakken. Het verdient aanbeveling de pomp op een stevig oppervlak op de bodem te zetten, zodat de pomp rechtop blijft staan, als dat praktisch mogelijk is. Controleer dat er geen belemmeringen zijn rond de inlaatopeningen rond de grondplaat van de pomp. De inlaatopeningen moeten vrij zijn van modder en vuil op de bodem van een zwembad.
3. Steek de stekker in het stopcontact.
4. Wanneer u de pomp in het water laat zakken en u schakelt de pomp in, begint de pomp te werken zodra de vlotterschakelaar (3) de minimale hoogte voor inschakeling (ongeveer 50 cm) in het water bereikt.
5. De pomp schakelt zichzelf uit zodra de vlotter-schakelaar (3) de uitschakelhoogte (ongeveer 5 cm) bereikt doordat het waterniveau is gedaald.
6. Let erop dat de vlotterschakelaar (3) niet op welke manier dan ook wordt belemmerd.
7. Schakel de pomp na gebruik uit en trek de stekker uit het stopcontact.
8. Til de pomp weer uit het water.

Handmatige werking

Wanneer handmatige werking de voorkeur heeft, kan de motor worden ingeschakeld door de vlotter-schakelaar (3) met de hand omhoog te halen (ON) of met de hand omlaag te duwen (OFF).

Werking beëindigen

Laat de pomp na gebruik gedurende 2 - 3 minuten draaien met schoon water zodat restwater en deeltjes die zich misschien in de pomp en de afvoerslang hebben verzameld, worden verwijderd.

5. ONDERHOUD



Verbreek altijd eerst de aansluiting op de stroomvoorziening en voer dan pas onderhoudswerk aan de machine uit.



Tijdens onderhoud of reiniging het apparaat nooit op de turbine (impeller).

Er zitten geen onderdelen in het apparaat waaraan de gebruiker onderhoud kan uitvoeren. Als het apparaat verstopt blijkt te zijn, trek dan de stekker uit het stopcontact en controleer het apparaat op verstoppingen (zie 'Verstoppingen').

VERSTOPPINGEN

Als u vermoedt dat de pomp verstopt is geraakt, trekt dan de stekker uit het stopcontact en onderzoek de turbine. U kunt de turbine bereiken door de bevestigingsschroeven in de grondplaat en/of sub-grondplaat uit te draaien. U kunt ook proberen de om de verstopping te bereiken via de uitgang (7) in de zijkant van de pomp.



Spoel de pomp na gebruik steeds door met schoon water.

OPSLAG EN BESCHERMING TEGEN VORST

Wanneer u niet alle water uit de pomp en accessoires laat lopen, kunnen zij ernstig beschadigd raken door de vorst. Laat alle water uit de pomp en de accessoires lopen zodat zij beschermd zijn tegen de vorst.

Berg de pomp op in een goed geventileerde, droge ruimte waar de temperatuur niet daalt onder +5°C.

Berg het apparaat, wanneer u het niet gebruikt, op buiten bereik van kinderen.

GIDS VOOR HET OPLOSSEN VAN PROBLEMEN

Probleem	Oorzaak	Oplossing
Pomp start niet.	Geen elektriciteit Vlotter zit vast	Controleer de stroomvoorziening Breng de vlotter naar een hogere positie
Pomp werkt maar er wordt geen water gepompt	Turbine verstopt	Koppel de pomp los van de stroomvoorziening en maak de turbine schoon en vrij van verstoppingen (zie 'VERSTOPPINGEN')
Pomp schakelt niet uit	Vlotter zit vast	Breng de vlotter naar een lagere positie
Pomp start niet of start tijdens gebruik. Pomp wordt uitgeschakeld na steeds korte periode van activiteit	De schakelaar van de beveiliging voor thermische overbelasting is geactiveerd	Trek de stekker uit het stopcontact, laat de pomp 2 minuten staan en maak de turbine schoon (als dat nodig is - zie 'Verstoppingen')
	De zekering van de stroomvoorziening is doorgeslagen	Controleer zekeringen en elektrische aansluitingen
	Turbine verstopt	Koppel de pomp los van de stroomvoorziening en maak de turbine schoon en vrij van verstoppingen (zie 'VERSTOPPINGEN')
	Water te heet	Controleer dat de watertemperatuur niet boven het maximum van 35°C is gestegen

MILIEU



Defecte en/of afgedankte elektrische of elektronische gereedschappen dienen ter verwerking te worden aangeboden aan een daarvoor verantwoordelijke instantie.

Het product en de gebruikershandleiding zijn onderhevig aan wijzigingen. Specificaties kunnen zonder opgaaf van redenen worden gewijzigd.

Uitsluitend voor EG-landen

Werp elektrisch gereedschap niet weg bij het huisvuil. Conform de Europese Richtlijn 2012/19/EG voor Afgedankte Elektrische en Elektronische Apparatuur en de implementatie ervan in nationaal recht moet niet langer te gebruiken elektrisch gereedschap gescheiden worden verzameld en op een milieuvriendelijke wijze worden verwerkt.

GARANTIE

VONROC producten zijn ontworpen volgens de hoogste kwaliteitsstandaarden en gegarandeerd vrij van defecten, zowel materieel als fabrieksfouten, tijdens de wettelijk vastgestelde garantieperiode vanaf de eerste aankoopdatum. Mocht het product tijdens deze periode gebreken vertonen veroorzaakt door defecte materialen en/of fabrieksfouten, neem dan rechtstreeks contact op met VONROC.

De volgende situaties vallen niet onder de garantie:

- Er zijn reparaties of aanpassingen aan de machine uitgevoerd, of er is een poging daartoe ondernomen, door een nietgeautoriseerd servicecentrum.
- Normale slijtage.
- De machine is misbruikt, verkeerd gebruikt of slecht onderhouden.
- Er zijn niet-originele reserveonderdelen gebruikt.

Dit vormt de enige garantie opgesteld door het bedrijf zowel expliciet als impliciet. Er bestaan geen andere garanties expliciet of impliciet welke verder gaan dan deze garantie, inclusief impliciete garanties van verkoopbaarheid en geschiktheid voor bepaalde doeleinden. In geen enkel geval kan VONROC aansprakelijk worden gesteld voor incidentele schade of gevolgschade. Reparaties van dealers zijn gelimiteerd tot de reparatie of vervanging van defecte producten of onderdelen.

1. CONSIGNES DE SÉCURITÉ

Consultez les avertissements de sécurité, les avertissements de sécurité additionnels ainsi que les instructions fournis ici. Le non respect des avertissements de sécurité et des instructions peut occasionner une électrocution, un incendie ou des blessures graves. Conservez les avertissements de sécurité et les instructions pour référence future.

Les symboles suivants sont utilisés dans le manuel d'utilisation ou apposés sur le produit:



Lisez le manuel d'utilisation.



Signale un risque de blessures, un danger mortel ou un risque d'endommagement de l'outil en cas de non-respect des instructions de ce manuel.



Indique un risque de décharges électriques



Mettre l'appareil à l'abri du gel.



Profondeur maxi.



Ne jetez pas le produit dans des conteneurs qui ne sont pas prévus à cet effet.



Le produit est conforme aux normes de sécurité applicables des directives européennes.

REMARQUES LIÉES À LA SÉCURITÉ

PEUT ÊTRE UTILISÉ PAR DES ENFANTS ÂGÉS DE 8 ANS ET PLUS ET PAR DES PERSONNES AUX CAPACITÉS PHYSIQUES, SENSORIELLES OU MENTALES RÉDUITES, OU QUI MANQUENT D'EXPÉRIENCE ET DE CONNAISSANCE, À CONDITION QU'ILS SOIENT SUPERVISÉS OU QU'ILS AIENT ÉTÉ FORMÉS SUR LA FAÇON SÛRE D'UTILISER L'APPAREIL ET QU'ILS COMPRENNENT LES RISQUES ENCOURUS. LES ENFANTS NE DOIVENT PAS JOUER AVEC L'APPAREIL. LE NETTOYAGE ET LES OPÉRATIONS DE MAINTENANCE À RÉALISER PAR L'UTILISATEUR NE DOIVENT PAS ÊTRE EXÉCUTÉS PAR DES ENFANTS SANS SURVEILLANCE. SI LE CÂBLE D'ALIMENTATION EST ENDOMMAGÉ, IL DOIT ÊTRE REMPLACÉ PAR LE FABRICANT, L'UN DE SES PRESTATAIRES DE SERVICES OU TOUTE AUTRE PERSONNE DISPOSANT DES MÊMES QUALIFICATIONS AFIN D'ÉVITER TOUT

RISQUE. LA PRISE DOIT ÊTRE DÉBRANCHÉE DE LA PRISE DE COURANT AVANT DE PROCÉDER AU NETTOYAGE OU À LA MAINTENANCE DE L'APPAREIL.

Veillez à lire soigneusement l'intégralité de ces consignes avant d'utiliser l'appareil et à les conserver pour pouvoir vous y référer dans le futur. Il est très important que vous compreniez comment utiliser ce produit de façon sûre, merci donc de veiller à prendre le temps nécessaire pour vous familiariser avec les prescriptions mentionnées dans ces instructions.

- Si vous avez le moindre doute quant à l'utilisation de cet appareil, nous vous conseillons fortement de faire appel aux services d'une personne qualifiée.
- Le branchement électrique doit être protégé par un disjoncteur différentiel à courant résiduel (DDR) avec un courant de déclenchement nominal de 30mA (maxi), au niveau de la prise électrique.
- Veillez à maintenir les enfants et les animaux domestiques à l'écart de la zone d'utilisation et ne laissez jamais les enfants utiliser cet appareil ou toucher la rallonge électrique. Lorsqu'il n'est pas utilisé, rangez cet appareil dans un endroit sûr, hors de portée des enfants.
- Ne laissez jamais l'appareil sans surveillance lorsqu'il est en marche.
- Ne tirez jamais l'appareil par son cordon électrique. Transportez-le à l'aide de la poignée de transport.
- Ne laissez pas le cordon électrique courir sur ou au-dessus d'objets tranchants qui pourraient endommager la gaine isolante. Procédez à l'inspection visuelle du cordon électrique avant chaque utilisation et, s'il est endommagé, faites-le remplacer dans un centre d'assistance spécialisé. N'utilisez pas l'appareil si son cordon est endommagé.
- Gardez le cordon électrique à l'écart de la chaleur, du gel, de l'huile, des solvants et de tous les objets ou bords tranchants.
- Les raccords électriques, comme les rallonges par exemple, doivent être, en permanence, protégés contre l'humidité.
- Contrôlez que la puissance nominale de votre appareil correspond bien à la puissance nominale de votre réseau électrique. La tension d'alimentation doit être de 230VAC.

- Veillez à ne jamais faire fonctionner cet appareil à sec, sans eau. Si l'appareil surchauffe, le disjoncteur thermique l'éteint. Si cela se produit, patientez 5 minutes avant de réutiliser l'appareil.
- Veillez à toujours à éteindre l'appareil et à le débrancher de la prise de courant avant de l'installer dans l'eau ou de l'en sortir. Veillez à ne le remettre sous tension que si vos mains sont sèches.
- N'utilisez jamais cet appareil dans un bassin ou une piscine si des personnes sont dans l'eau !
- N'utilisez pas la pompe pour de l'eau potable.
- Les substances corrosives, inflammables ou explosives, la graisse, l'huile, l'eau salée et les eaux usées ne doivent pas être transportées par la pompe.
- Le pH de l'eau doit être compris entre 6,5 et 8,5.
- La température du liquide pompé ne doit pas dépasser 35 °C.

Sécurité électrique

Lors d'utilisation de machines électriques, observez les consignes de sécurité locales en vigueur en matière de risque d'incendie, de chocs électriques et de lésion corporelle. En plus des instructions ci-dessous, lisez entièrement les consignes de sécurité contenues dans le cahier de sécurité fourni à part.



Vérifiez que la tension d'alimentation correspond à la tension nominale indiquée sur la plaque signalétique.

Raccordement à l'alimentation électrique

Contrôlez que l'alimentation électrique et la prise utilisées sont bien adaptées pour cette machine. Consultez la plaque signalétique de la machine. L'ensemble des modifications apportées ne peut être réalisé que par un électricien qualifié.



Avertissement ! Cette machine doit être reliée à la terre. Si elle n'est pas correctement reliée à la terre, cette machine peut être à l'origine de décharges électriques. Veillez à ce que la prise d'alimentation électrique soit bien reliée à la terre. En cas de doute, faites-la contrôler par un électricien qualifié.



Avertissement ! Évitez tout contact avec les fiches de la prise au moment de brancher (débrancher) la prise dans/de la prise de courant. Tout contact pourrait conduire à une grosse décharge électrique.

En cas de changement de câbles ou de fiches

Si le câble d'alimentation électrique est endommagé, il doit être remplacé par un câble d'alimentation électrique spécial disponible auprès du fabricant ou de son service clientèle. Jetez les vieux câbles ou prises immédiatement après les avoir remplacés par de nouveaux. Il est dangereux de brancher un câble lâche.

En cas d'emploi de câbles prolongateurs

Employez exclusivement un câble pro longateur homologué, dont l'usage est approprié pour la puissance de la machine. Les fils conducteurs doivent avoir une section minimale de 1,5 mm². Si le câble prolongateur se trouve dans un dévidoir, déroulez entièrement le câble.

2. INFORMATIONS RELATIVES À LA MACHINE

Utilisation prévue

La pompe est destinée à un usage privé, pour vider les habitations et les jardins inondés, mais également pour transférer de l'eau d'un réservoir à un autre ou pour la pomper vers l'extérieur, pour puiser l'eau des puits et pour évacuer l'eau des bateaux et des yachts. Les substances explosives, corrosives, inflammables, les eaux usées, l'eau salée, la graisse et l'huile ne doivent pas être transportées par la pompe.

La taille des particules solides dans l'eau sale ne doit pas dépasser la taille maximale spécifiée dans les caractéristiques techniques.

Cette pompe n'est pas destinée à fonctionner en continu (comme une pompe de circulation pour piscine ou bassin par exemple), ni en tant qu'installation fixe (comme un appareil de relevage ou une pompe de fontaine par exemple).

SPÉCIFICATIONS TECHNIQUES

N° de modèle	SP501AC	SP502AC
Application	Eau propre	Eau propre ou sale
Interrupteur-flotteur	Oui	
Tension	230 VAC / 50Hz	
Puissance absorbée	300W	400W
Débit maxi	6500l/h	8000l/h
Pression maxi	0.6 bar	0.55 bar
Hauteur de pompage maxi	6m	5.5m
Profondeur maxi	7m	
Taille de particules maxi	5mm	25mm
Hauteur d'eau résiduelle mini (fonctionnement en mode manuel) *	5mm	20mm
Hauteur pour l'allumage (fonctionnement en mode automatique) **	50cm	
Hauteur pour l'extinction (fonctionnement en mode automatique) **	5cm	
Température maxi de l'eau	35°C	
Classe de protection	IPX8	
Protection thermique intégrée du moteur	Oui	
Raccord de tuyau en sortie	25mm, 32mm, G1"	
Diamètre intérieur du tuyau recommandée	32mm	
Sortie d'eau	G1 ¼"	
Longueur du câble	10m	
Poids	3.22 kg	3.28 kg

* La hauteur d'eau résiduelle spécifiée ne peut être atteinte qu'en mode de fonctionnement manuel.

** La hauteur pour l'allumage et l'extinction peut varier en fonction de la position de l'interrupteur-flotteur.

DESCRIPTION

Les numéros dans le texte se rapportent aux schémas des page 2-3.

1. Poignée de transport
2. Bouton de déverrouillage (interrupteur-flotteur)
3. Flotteur-Interrupteur Marche/Arrêt
4. Base
5. Raccord de tuyau
6. Raccord coudé de sortie d'eau
7. Sortie d'eau
8. Événement

3. ASSEMBLAGE



Plus le diamètre du tuyau et du raccord de tuyau est grand, plus le débit est important.



Pour que le débit soit maximum, un tuyau de 32mm (diamètre intérieur) doit être utilisé.



Plus la hauteur de transfert de l'eau est basse, plus le débit est important.

Fixer le tuyau d'évacuation (Fig. A, B)

1. Choisissez le diamètre de tuyau que vous allez utiliser. Consultez la figure B.
2. Coupez les crans plus petits sur le raccord du tuyau (5) qui ne sont pas utiles, à l'aide d'un cutter ou d'une scie adaptés (non fournis). Cela permet de supprimer la restriction inutile du débit et de garantir l'obtention de la capacité maximum de la pompe et le meilleur débit.
3. Vissez le raccord coudé de sortie d'eau (6) sur la sortie d'eau (7).
4. Vissez le raccord de tuyau (5) sur le raccord coudé (6).
5. Installez le tuyau sur le raccord de tuyau (5) et fixez-le à l'aide d'un collier en acier inoxydable (non fourni).
6. Fixez une ficelle (non fournie) sur la poignée de transport (1) pour pouvoir immerger la pompe dans l'eau et la ressortir. N'enfonchez et ne relevez jamais la pompe par son câble.

4. FONCTIONNEMENT



N'utilisez jamais cette pompe dans un bassin ou une piscine si des personnes sont dans l'eau !



Ne tirez jamais la pompe par son cordon électrique. La pompe doit être transportée et placée dans l'eau à l'aide de la poignée de transport (1) ou, si l'eau est profonde, à l'aide d'une corde attachée sur la poignée de transport (1).



Veillez à toujours à éteindre la pompe et à la débrancher de la prise de courant avant de l'installer dans l'eau ou de l'en sortir. Veillez à ne la remettre sous tension que si vos mains sont sèches.



Veillez à ne jamais faire fonctionner cette pompe à sec, sans eau. Si l'appareil surchauffe, le disjoncteur thermique l'éteint. Si cela se produit, patientez 5 minutes avant de réutiliser la pompe.



Soupape de purge d'air automatique : La soupape de purge d'air automatique permet d'éliminer les poches d'air dans la pompe. Au cours de cette procédure, l'air s'échappe par l'évent (8) et des bulles d'air apparaissent sous l'eau. Cela n'indique pas un dysfonctionnement de la pompe mais c'est le signe de la suppression de l'air dans la pompe. L'air prend plusieurs secondes pour s'échapper lors de la première immersion de la pompe.

Fonctionnement en mode automatique



La longueur de câble entre le flotteur-interrupteur (3) et le bouton de verrouillage du flotteur-interrupteur (2) doit toujours être d'au moins 10 cm.

1. Afin de pouvoir régler la hauteur d'allumage et la hauteur d'extinction de la pompe, fixez le câble du flotteur-interrupteur (3) sur le bouton de verrouillage du flotteur-interrupteur (2) à la bonne longueur.
2. Immergez la pompe dans l'eau. Il est préférable, autant que possible, de poser la pompe au fond, sur une surface dure, afin de la maintenir à la verticale. Veillez à ce qu'il n'y ait aucun obstacle autour des ouvertures d'entrée à la base de la pompe. Les ouvertures d'entrée au fond du bassin doivent être exemptes de boue ou de vase.
3. Branchez la prise électrique.
4. Une fois la pompe immergée et mise en marche, elle se met à fonctionner dès que le flotteur-

interrupteur (3) atteint dans l'eau la hauteur de déclenchement minimum (env. 50cm).

5. La pompe s'éteint quand le niveau d'eau baisse, dès que le flotteur-interrupteur (3) atteint la hauteur d'extinction (env. 5cm).
6. Veillez à ce que le flotteur-interrupteur (3) ne soit jamais obstrué d'une quelconque façon.
7. Après utilisation, éteignez la pompe et débranchez la prise électrique du secteur.
8. Sortez la pompe de l'eau.

Fonctionnement en mode manuel

Si vous préférez utiliser la pompe en mode manuel, le moteur peut être mis en marche en relevant le flotteur-interrupteur (3) (Marche) ou en l'abaissant (Arrêt), à la main.

Après utilisation

Après utilisation, laissez la pompe fonctionner dans de l'eau propre pendant 2 à 3 minutes afin de supprimer tous les résidus et toutes les particules qui pourraient s'être accumulés dans la pompe et le tuyau.

5. ENTRETIEN



Débranchez toujours la machine du secteur avant d'effectuer toute opération de maintenance.



Au cours de la maintenance ou du nettoyage, ne faites jamais reposer la pompe sur la turbine.

Cet appareil ne contient aucune pièce pouvant être réparée par l'utilisateur. Si l'appareil semble bloqué, éteignez-le, débranchez la prise de courant et contrôlez la cause du blocage (consultez la section "Blocages").

BLOCAGES

Si vous pensez que la pompe est bloquée, coupez l'alimentation en débranchant la prise de courant et examinez la turbine. Vous pouvez accéder à la turbine en retirant les vis qui sécurisent la base et/ou la sous-base. Vous pouvez également tenter d'accéder à ce qui bloque par la sortie (7) sur le côté de la pompe.



Veillez à bien rincer la pompe à l'eau claire après chaque utilisation.

RANGEMENT ET PROTECTION CONTRE LE GEL

La pompe submersible et ses accessoires peuvent geler s'ils ne sont pas complètement vidangés. Vidangez complètement la pompe submersible et ses accessoires et protégez-les contre le gel. Conservez l'appareil dans un local bien aéré dont la température ne descend pas en dessous de +5°C. Lorsqu'il n'est pas utilisé, rangez cet appareil dans un endroit sûr, hors de portée des enfants.

GUIDE DE DÉPANNAGE

Problème	Cause	Remède
La pompe ne démarre pas	Absence d'alimentation électrique Flotteur coincé	Contrôlez l'alimentation électrique Remontez le flotteur
La pompe est active mais elle ne ramène pas l'eau	Turbine bloquée	Débranchez la pompe de l'alimentation électrique et nettoyez ou débloquez la turbine (consultez la section "BLOCAGES")
La pompe ne s'éteint pas	Flotteur coincé	Enfonchez plus le flotteur
Le pompe ne démarre pas et ne s'arrête pas pendant son utilisation. La pompe s'éteint après n'avoir fonctionner que pendant peu de temps	Le disjoncteur thermique de protection contre les surcharges s'est déclenché	Débranchez l'alimentation électrique, patientez 2 minutes et nettoyez la turbine (si nécessaire, consultez la section "Blocages")
	Courant coupé	Contrôlez les fusibles et les raccordements électriques
	Turbine bloquée	Débranchez la pompe de l'alimentation électrique et nettoyez ou débloquez la turbine (consultez la section "BLOCAGES")
	Eau trop chaude	Veillez à ce que la température de l'eau de dépasse pas 35°C

ENVIRONNEMENT



Les équipements électroniques ou électriques défectueux ou destinés à être mis au rebut doivent être déposés aux points de recyclage appropriés.

Uniquement pour les pays de l'UE

Ne jetez pas les outils électriques avec les déchets domestiques. Selon la Directive européenne 2012/19/ CE relative aux déchets d'équipements électriques et électroniques et sa mise en oeuvre dans le droit national, les outils électriques hors d'usage doivent être collectés séparément et mis au rebut de manière écologique.

GARANTIE

Les produits VONROC sont développés aux plus hauts standards de qualité et ils sont garantis contre les défauts de pièces et de main d'oeuvre pendant la durée légale stipulée à partir de la date d'achat d'origine du produit. En cas d'une quelconque panne du produit pendant cette durée qui serait due à un défaut matériel et/ou de main d'oeuvre, contactez directement VONROC.

Les circonstances suivantes ne sont pas prises en charge par la garantie:

- Des réparations ou altérations ont été effectuées ou tentées sur la machine par un centre de réparation non agréé.
- L'usure normale.
- L'outil a été maltraité, mal utilisé ou mal entretenu.
- Des pièces détachées non d'origine ont été utilisées

Ceci constitue l'unique garantie accordée par la société explicitement ou implicitement. Il n'existe aucune autre garantie, explicite ou implicite, qui peut s'étendre au delà du contenu ici présent, y compris les garanties marchandes ou d'adaptation à des fins particulières. En aucun cas VONROC ne sera tenu responsable de dommages accidentels ou consécutifs. Les solutions proposées par les revendeurs devront se limiter à la réparation ou le remplacement des éléments ou pièces non conformes.

Le produit et le manuel d'utilisation sont sujets à modifications. Les spécifications peuvent changer sans préavis.

1. INSTRUCCIONES DE SEGURIDAD

Lea las advertencias de seguridad, las advertencias de seguridad adicionales y las instrucciones adjuntas. De no respetarse las advertencias de seguridad y las instrucciones, podrían producirse descargas eléctricas, incendios y/o lesiones graves. Conserve las advertencias de seguridad y las instrucciones para su posterior consulta.

Los siguientes símbolos se utilizan en el manual de usuario o en el producto:



Lee el manual del usuario.



Denota riesgo de lesiones personales, pérdida de vida o daños a la herramienta en caso de incumplimiento de las instrucciones del presente manual.



Indica el peligro de sufrir descargas eléctricas.



Proteja el aparato contra el hielo.



Profundidad máx.



No deseche el producto en contenedores no adecuados.



El producto es conforme con las normas de seguridad vigentes en las Directivas Europeas.

NOTAS RELATIVAS A LA SEGURIDAD

ESTE APARATO PUEDE SER UTILIZADO POR NIÑOS A PARTIR DE 8 AÑOS DE EDAD Y POR PERSONAS CON CAPACIDADES FÍSICAS, SENSORIALES O MENTALES REDUCIDAS O QUE CAREZCAN DE EXPERIENCIA Y CONOCIMIENTOS, SI ESTÁN SUPERVISADAS O CAPACIDADES SOBRE EL USO DEL APARATO DE MODO SEGURO Y SI COMPRENDEN LOS PELIGROS QUE SUPONE. LOS NIÑOS NO DEBEN JUGAR CON EL APARATO. LA LIMPIEZA Y EL MANTENIMIENTO DE USUARIO NO DEBEN SER EFECTUADOS POR NIÑOS, SIN SUPERVISIÓN. SI EL CABLE DE ALIMENTACIÓN SE DAÑA, DEBE SER SUSTITUIDO POR EL FABRICANTE, UN TALLER DE REPARACIÓN AUTORIZADO U OTRAS PERSONAS CON UNA CUALIFICACIÓN SIMILAR, CON EL FIN DE EVITAR PELIGROS. ANTES DE LIMPIAR O REALIZAR TRABAJOS DE MANTENIMIEN-

TO EN EL APARATO, SE DEBE SACAR EL ENCHUFE DE LA TOMA DE CORRIENTE.

Lea detenidamente todas estas instrucciones antes de usar el aparato y guárdelas para futuras consultas. Es muy importante que entienda cómo usar este aparato en modo seguro; para ello, tómese el tiempo necesario para familiarizarse con los requisitos indicados en estas instrucciones.

- Si tiene alguna duda sobre el uso del aparato, le recomendamos encarecidamente que consulte a una persona debidamente cualificada.
- La conexión eléctrica debe estar protegida por un dispositivo diferencial residual (DDR) en la toma de corriente, con una corriente de desconexión nominal de 30 mA (máx.).
- Mantenga a los niños y a las mascotas alejados del área de trabajo, y nunca permita que los niños usen este aparato o toquen el cable de extensión en ningún momento. Cuando no use el aparato, guárdelo en un lugar seguro, fuera del alcance de los niños.
- Nunca deje el aparato sin vigilancia cuando esté funcionando.
- Nunca tire el aparato por el cable de alimentación. Desplácelo usando el asa de transporte.
- No deje que el cable de alimentación apoyado sobre objetos afilados ni que atravesase tales objetos pues estos puedan perforar el aislamiento exterior. Realice una inspección visual del cable de alimentación antes de usarlo y, si está dañado, hágalo cambiar en un centro de servicio especializado. No use el aparato si el cable está dañado.
- Mantenga el cable de alimentación alejado del calor, escarcha, aceite, disolventes o cualquier objeto o borde afilado.
- Las conexiones eléctricas, como, por ejemplo, el cable prolongador, deben estar protegidas de la humedad en todo momento.
- Compruebe que la potencia nominal del aparato coincida con la potencia nominal de su red eléctrica. La tensión de alimentación debe estar comprendida entre 230VAC.
- Nunca deje este aparato en seco, fuera del agua. Si el aparato se sobrecalienta, el disyuntor térmico lo apagará. Si esto sucede, espere 5 minutos antes de volver a usar el aparato.
- Apague siempre el aparato y desenchúfelo de la toma de corriente antes de colocarlo o retirarlo

del agua. Enciéndalo siempre con las manos secas.

- ¡Nunca use este aparato en un estanque o piscina si hay gente en el agua!
- No use la bomba para el agua potable.
- La bomba no debe usarse para transportar sustancias corrosivas, inflamables o explosivas, grasa, aceite, agua salada ni aguas residuales.
- El pH del agua debe estar comprendido entre 6,5 y 8,5.
- La temperatura del líquido transportado no puede superar los 35 °C.

Seguridad eléctrica

Durante la utilización de aparatos eléctricos se observarán las normas de seguridad que rigen en el país en cuestión para reducir el peligro de incendio, electrocución y las lesiones. Léanse y ténganse en cuenta las siguientes instrucciones de seguridad y las que acompañan a los aparatos.



Compruebe siempre que la tensión de red corresponde con la especificada en la placa de modelo.

Conexión al suministro de energía

Compruebe que la fuente de alimentación y el enchufe utilizados sean adecuados para la máquina. Consulte los datos de la placa de características de la máquina. Todos los cambios deben ser realizados siempre por un electricista cualificado.



¡Advertencia! Esta máquina debe estar conectada a tierra. Si no se conecta a tierra correctamente, esta máquina puede causar una descarga eléctrica. Compruebe que el enchufe de la fuente de alimentación esté conectado a tierra. Si tiene alguna duda, hágalo revisar por un electricista cualificado.



¡Advertencia! Evite el contacto con los terminales del enchufe cuando conecte el enchufe en la toma de corriente o lo desconecte. El contacto puede causar una fuerte descarga eléctrica.

Sustitución de cables y conectores

Deséchense los cables y conectores una vez sustituidos inmediatamente. Es peligroso conectar el enchufe de un cable defectuoso a una toma de corriente.

Uso de los cables de extensión

Utilice exclusivamente un cable de extensión aprobado para la entrada de alimentación de la máquina. El tamaño mínimo del conductor es 1.5 mm². Cuando utilice una bobina de cable, deshaga siempre la bobina al completo.

2. INFORMACIÓN DE LA MÁQUINA

Uso previsto

La bomba ha sido fabricada para uso privado, para el drenaje de zonas inundadas de casas y jardines, y también para transferir el agua de y hacia tanques por bombeo, para extraer agua de pozos y huecos y para drenar barcos y yates. La bomba no debe utilizarse para transportar sustancias explosivas, corrosivas e inflamables, aguas residuales, agua salada, grasa ni aceite.

El tamaño de las partículas sólidas del agua sucia no debe exceder el tamaño máximo de las partículas especificado en los datos técnicos.

Esta bomba no ha sido diseñada para funcionamiento continuo (por ejemplo, como bomba de circulación para piscinas o estanques) ni para instalaciones fijas (por ejemplo, dispositivos de elevación, bombeo de fuentes).

ESPECIFICACIONES TÉCNICAS

Modelo n.º	SP501AC	SP502AC
Aplicación	Agua limpia	Agua limpia o sucia
Interruptor de flotador	Sí	
Voltaje	230 VCA / 50 Hz	
Potencia de entrada	300W	400W
Caudal máx.	6500l/h	8000l/h
Presión máx.	0.6 bar	0.55 bar
Altura de bombeo máx.	6m	5.5m
Profundidad máx.	7m	
Tamaño máx. partículas	5mm	25mm
Altura mín. agua residual (funcionamiento manual) *	5mm	20mm
Altura de encendido (funcionamiento automático) **	50cm	

Altura de apagado (funcionamiento automático)	5cm	
Temperatura máx. agua	35°C	
Protección	IPX8	
Protector térmico del motor incorporado	Sí	
Conexión manguera de salida	25mm, 32mm, G1"	
Diámetro interior manguera recomendado	32mm	
Salida de agua	G1 ¼"	
Longitud del cable	10m	
Peso	3.22 kg	3.28 kg

* La altura del agua residual indicada se alcanza solo en funcionamiento manual.

** La altura de conmutación varía según la posición del interruptor de flotador.

DESCRIPCIÓN

Los números del texto se refieren a los diagramas en la página 2-3.

1. Asa de transporte
2. Bloqueo del interruptor de flotador
3. Interruptor de encendido/apagado flotador
4. Base
5. Conector de la manguera
6. Conector angular de salida de agua
7. Salida de agua
8. Orificio de ventilación

3. MONTAJE



Cuanto más grande sea el diámetro de la manguera y del conector de la manguera, mayor será el flujo.



Debe utilizarse una manguera de 32 mm (diámetro interior) para obtener el máximo caudal.



Cuanto más baja sea la altura de entrega, mayor será el flujo.

Colocación de la manguera de salida (Fig. A, B)

1. Decida el diámetro de la manguera que va a usar. Véase la figura B.
2. Corte las partes más pequeñas del conector de

la manguera (5) que no sean necesarias usando un cuchillo o una sierra adecuados (no suministrados). Esto evita las restricciones de flujo innecesarias y asegura la máxima capacidad de bombeo y flujo de agua.

3. Enrosque el conector angular de salida (6) en la salida de agua (7).
4. Enrosque el conector de la manguera (5) en el conector angular de salida (6).
5. Coloque la manguera en el conector de la manguera (5) y fíjela con una abrazadera de acero inoxidable (no suministrada).
6. Ate una cuerda adecuada (no suministrada) en el asa de transporte (1), para sumergir la bomba en el agua y para sacarla del agua. Nunca baje ni levante la bomba agarrándola por el cable.

4. FUNCIONAMIENTO



¡Nunca use esta bomba en un estanque o piscina si hay gente en el agua!



Nunca tire de la bomba por el cable de alimentación. La bomba debe ser transportada y sumergida en el agua usando el asa de transporte (1) o, si el agua es profunda, hay que bajar la bomba con una cuerda atada al asa de transporte (1).



Apague siempre la bomba y desenchúfela de la toma de corriente antes de colocarla o retirarla del agua. Enciéndala siempre con las manos secas.



Nunca deje la bomba en seco, fuera del agua. Si el aparato se sobrecalienta, el disyuntor térmico lo apagará. Si esto sucede, espere 5 minutos antes de volver a usar la bomba.



Válvula de purga de aire automática: La válvula de purga de aire automática elimina cualquier bolsa de aire que pudiese haber en la bomba. Durante este proceso, el aire sale por el orificio de ventilación (8) y se ven las burbujas de aire debajo del agua. Esto no es un defecto de la bomba, sino que sirve para eliminar el aire de la bomba. Puede llevar varios segundos eliminar el aire cuando la bomba se sumerge por primera vez.

Funcionamiento automático



La longitud del cable entre el interruptor de flotador (3) y el bloqueo del interruptor de flotador (2) debe ser siempre de por lo menos 10 cm.

1. Para ajustar la altura de conexión y desconexión, coloque el cable del interruptor de flotador (3) en el bloqueo del interruptor de flotador (2) a la longitud necesaria.
2. Sumerja la bomba en el agua. Se recomienda colocar la bomba en una plataforma sólida en el fondo, donde se mantenga en posición vertical, por practicidad. Compruebe que no haya ninguna obstrucción alrededor de las aberturas de entrada de la base de la bomba. Las aberturas de entrada deben estar libres de barro o lodo en el fondo de una piscina.
3. Introduzca el enchufe en la toma de corriente.
4. Después de sumergir la bomba en el agua y de encenderla, empezará a funcionar cuando el interruptor de flotador (3) alcance la altura mínima de activación (aprox. 50 cm) en el agua.
5. La bomba se apagará tan pronto como el interruptor de flotador (3) haya alcanzado la altura de apagado (aprox. 5 cm) debido a la caída del nivel del agua.
6. Compruebe que el interruptor de flotador (3) no tenga ningún tipo de obstrucción.
7. Después de usar la bomba, apáguela y desconecte el enchufe de la red de alimentación.
8. Levante la bomba para sacarla del agua.

Funcionamiento manual

Si se prefiere el funcionamiento manual, el motor puede activarse subiendo el interruptor de flotador (3) a mano (ON) o bajándolo a mano (OFF).

Finalizar el funcionamiento

Después de usar la bomba, déjela funcionar con agua limpia durante 2 o 3 minutos para eliminar los residuos y las partículas que pudieran haberse acumulado en su interior y en la manguera de salida.

5. MANTENIMIENTO



Antes de realizar la limpieza y el mantenimiento, apague siempre la máquina y extraiga el enchufe de la red de alimentación.



Durante el mantenimiento o la limpieza nunca deje apoyado el aparato en la turbina (impulsor).

Este aparato no contiene piezas que puedan ser reparadas por el usuario. Si el aparato parece estar bloqueado, desconecte la alimentación de la red, desenchufe el enchufe de la toma de corriente y compruebe si el aparato está bloqueado (véase "Bloqueos").

BLOQUEOS

Si sospecha que la bomba se ha bloqueado, desconecte la alimentación de la toma de corriente, desenchufe el enchufe y examine la turbina. Se puede acceder a la turbina quitando los tornillos de fijación de la base y/o sub-base. Alternativamente, intente llegar hasta la supuesta obstrucción a través de la salida (7) al costado de la bomba.



Siempre enjuague con agua limpia después de cada uso.

ALMACENAMIENTO Y PROTECCIÓN CONTRA EL HIELO

La bomba sumergible y los accesorios que no estén totalmente drenados pueden destruirse con las heladas. Drene totalmente la bomba sumergible y sus accesorios y protéjalos contra el hielo. Guarde el aparato en un lugar ventilado y seco en el que la temperatura no sea inferior a +5 °C. Cuando no use el aparato, guárdelo en un lugar seguro, fuera del alcance de los niños.

GUÍA DE SOLUCIÓN DE PROBLEMAS

Problema	Causa	Solución
La bomba no arranca	No hay suministro eléctrico Flotador restringido	Compruebe el suministro eléctrico Levante el flotador
La bomba funciona pero no suministra agua	Turbina obstruida	Desconecte la bomba de la fuente de alimentación y limpie o desbloquee la turbina (véase 'BLOQUEO')
La bomba no se apaga	Flotador restringido	Baje el flotador

La bomba no se pone en marcha o se detiene durante el uso. La bomba se apaga después de un breve período de funcionamiento	Se ha activado el interruptor de seguridad contra sobrecarga térmica	Desconecte de la fuente de alimentación, espere 2 minutos y libere la turbina, si es necesario (véase 'Bloqueos')
	Se ha desconectado la corriente	Compruebe los fusibles y las conexiones eléctricas
	Turbina obstruida	Desconecte la bomba de la fuente de alimentación y limpie o desbloquee la turbina (véase 'BLOQUEO')
	Agua demasiado caliente	Compruebe que la temperatura del agua no supere el máximo de 35°C

la fecha de compra original. En caso de que el producto presente defectos relacionados con los materiales y/o la fabricación durante este período, póngase directamente en contacto VONROC.

La presente garantía se excluye en los siguientes casos:

- Si centros de servicios no autorizados han realizado o han intentado realizar reparaciones y/o alteraciones a la máquina.
- Si se ha producido un desgaste normal.
- Si la herramienta ha sido mal tratada o usada en modo impropio, o se ha realizado incorrectamente su mantenimiento.
- Si se han utilizado piezas de repuesto no originales.

La presente constituye la única garantía implícita y explícita que ofrece la compañía. No existen otras garantías explícitas o implícitas que excedan las citadas aquí, incluidas las garantías implícitas de comerciabilidad e idoneidad para una finalidad en especial. VONROC no será considerada responsable en ningún caso por daños incidentales o consecuentes. Los recursos a disposición de los distribuidores se limitan a la reparación o a la sustitución de las unidades o piezas no conformes.

MEDIOAMBIENTE



Los aparatos eléctricos o electrónicos defectuosos y/o desechados deben recogerse en lugares de reciclado apropiado.

Los aparatos eléctricos o electrónicos

Defectuosos y/o desechados deben recogerse en lugares de reciclado apropiado. Solo para países de la Comunidad Europea No elimine las herramientas eléctricas como residuos domésticos. De acuerdo con la Directiva europea 2012/19/CE sobre residuos de aparatos eléctricos y electrónicos, y su transposición a las legislaciones nacionales, las herramientas eléctricas que ya no se utilizan deben recogerse por separado y eliminarse en modo ecológico.

CONDICIONES DE GARANTÍA

Los productos VONROC han sido desarrollados con los más altos estándares de calidad y VONROC garantiza que están exentos de defectos relacionados con los materiales y la fabricación durante el período legalmente estipulado, a contar desde

El producto y el manual de usuario están sujetos a variaciones. Las especificaciones pueden variarse sin previo aviso.

1. ISTRUZIONI DI SICUREZZA

Leggere accuratamente gli avvisi di sicurezza, gli avvisi di sicurezza aggiuntivi e le istruzioni. La mancata osservanza degli avvisi di sicurezza e delle istruzioni potrebbe causare scosse elettriche, incendio e/o gravi lesioni. Mantenere gli avvisi di sicurezza e le istruzioni a portata di mano per future consultazioni.

I seguenti simboli sono utilizzati nel presente manuale utente o sul prodotto:



Leggere il manuale per l'utente.



Denota il rischio di lesioni personali, morte o danni all'utensile in caso di mancata osservanza delle istruzioni contenute nel presente manuale.



Indica il rischio di scossa elettrica.



Proteggere la macchina dal gelo.



Profondità max.



Non smaltire il prodotto in contenitori non idonei.



Il prodotto è conforme agli standard pertinenti in materia di sicurezza previsti dalla legislazione Europea.

NOTE DI SICUREZZA

QUESTA APPARECCHIATURA PUÒ ESSERE UTILIZZATA DA BAMBINI DA 8 ANNI NONCHÉ DA PERSONE CON CAPACITÀ FISICHE, SENSORIALI O MENTALI O DA MANCANZA DI ESPERIENZA, SE SI TROVANO SOTTO SORVEGLIANZA O ISTRUZIONE IN MERITO ALL'USO DELL'APPARECCHIATURA IN MODO SICURO E COMPRENDONO I RISCHI DEL CASO. ACCERTARSI CHE I BAMBINI NON GIOCHINO CON L'APPARECCHIATURA. LA PULIZIA E LA MANUTENZIONE UTENTE NON DEVE ESSERE ESEGUITA DA BAMBINI SENZA SUPERVISIONE. SE IL CAVO DI ALIMENTAZIONE È DANNEGGIATO, DEVE ESSERE SOSTITUITO DAL COSTRUTTORE, DA UN SUO RAPPRESENTANTE ADDETTO ALL'ASSISTENZA O DA ALTRE PERSONE CON QUALIFICA SIMILARE AL FINE DI EVITARE RISCHI PER LA SICUREZZA. IL CAVO DEVE ESSERE ESTRATTO DALLA PRESA DI CORRENTE PRIMA DI PULIRE L'APPARECCHIO O SOTTOPORLO A MANUTENZIONE.

Prima di utilizzare questo apparecchio, leggere attentamente e a fondo queste istruzioni e conservarle per consultazione successiva. È molto importante comprendere come utilizzare questo apparecchio in sicurezza, pertanto invitiamo a prendersi il tempo necessario per acquisire familiarità con i requisiti descritti in queste istruzioni.

- Per qualsiasi dubbio sull'utilizzo di questo apparecchio, consigliamo vivamente di rivolgersi a un professionista in possesso delle competenze necessarie.
- Il connettore elettrico deve essere protetto da un interruttore differenziale salvavita (RCD) installato presso la presa di corrente, con una corrente di sgancio nominale di 30mA (max).
- Tenere i bambini e gli animali domestici a debita distanza dall'area di lavoro e non consentire mai ai bambini di utilizzare questo apparecchio o di toccare il cavo di prolunga. Quando non viene usato, conservare l'apparecchio in un luogo sicuro, fuori dalla portata dei bambini.
- Non lasciare mai l'apparecchio incustodito quando è acceso.
- Non tirare mai l'apparecchio dal cavo di alimentazione. Trasportarlo afferrandolo il manico di trasporto.
- Evitare di posare il cavo di alimentazione su oggetti affilati che potrebbero perforare l'isolamento esterno. Ispezionare visivamente il cavo di alimentazione prima dell'uso e, se dovesse essere danneggiato, farlo sostituire presso un centro di assistenza specializzato. Non utilizzare l'apparecchio se il cavo di alimentazione è danneggiato.
- Tenere il cavo di alimentazione lontano da calore, gelo, olio, solventi od oggetti e bordi appuntiti.
- I collegamenti elettrici, come per esempio il cavo di prolunga, devono essere sempre protetti dall'umidità.
- Controllare che la potenza nominale dell'apparecchio corrisponda a quella della rete elettrica. La tensione di alimentazione deve essere compresa tra 230 VAC.
- Non fare mai funzionare questo apparecchio a secco, fuori dall'acqua. Se l'apparecchio si surriscalda, il dispositivo termico di interruzione lo spegne. Se ciò dovesse accadere, attendere 5 minuti prima di utilizzare nuovamente l'apparecchio.
- Spegnerne sempre l'apparecchio e staccare la spina dalla presa di corrente prima di immergerlo o toglierlo dall'acqua. Riaccendere di nuovo

l'apparecchio solo con le mani asciutte.

- Non utilizzare mai questo apparecchio in uno stagno o in una piscina in presenza di persone in acqua!
- Non usare la pompa per l'acqua potabile.
- Sostanze corrosive, infiammabili o esplosive, grasso, olio, acqua salata e liquami non devono essere trasportati dalla pompa.
- Il pH dell'acqua deve essere compreso tra 6,5 e 8,5.
- La temperatura del liquido pompato non deve superare i 35 °C.

Sicurezza elettrica

Durante l'uso di macchine elettriche osservare sempre le norme di sicurezza del Vostro paese per ridurre il rischio di incendio, folgorazione, e lesioni personali. Leggere le seguenti istruzioni di sicurezza e anche quelle allegate.



Controllate sempre che il voltaggio della rete elettrica corrisponda a quello indicato sulla targhetta dati dell'apparecchio.

Collegamento alla rete elettrica

Controllare che la rete elettrica e la spina utilizzate siano conformi ai requisiti dell'apparecchio. Controllare la relativa targhetta di identificazione. Eventuali modifiche devono sempre essere effettuate da un elettricista qualificato.



Avvertenza! Questo apparecchio deve essere collegato a terra. In caso di collegamento a terra inappropriato, l'apparecchio può causare una scossa elettrica. Accertarsi che la presa di corrente sia dotata di messa a terra. In caso di dubbi farla controllare da un elettricista qualificato.



Avvertenza! Evitare il contatto con i terminali della spina quando si inserisce (si stacca) la spina alla (dalla) presa di corrente. Il contatto causerebbe una intensa scossa elettrica.

Sostituzione di cavi o prese

Eliminare vecchi cavi o prese che sono stati sostituiti da nuovi. E' pericoloso inserire in una presa di corrente la spina di un cavo scoperto.

Uso di prolunghie

Usate solo prolunghie approvate adatte alla potenza d'ingresso della macchina. La dimensione minima del conduttore è 1,5 mm². Quando si usa una prolunga su un avvolgicavo, srotolarla completamente.

2. INFORMAZIONI RELATIVE ALL'E-LETTROUTENSILE

Uso previsto

Questa pompa sommersa è destinata all'uso privato per il prosciugamento di abitazioni e giardini allagati, ma anche per il pompaggio di acqua da e verso i serbatoi e il loro svuotamento, per il prelievo di acqua da pozzi e pozzetti e per lo scolo di barche e yacht. Sostanze esplosive, corrosive o infiammabili, grasso, olio, acqua salata e liquami non devono essere trasportati dalla pompa.

La dimensione delle particelle dei solidi contenuti nell'acqua sporca non deve superare la dimensione delle particelle massima indicata nei Dati tecnici.

Questa pompa non è concepita per il funzionamento continuo (ad es. come le pompe di ricircolo per piscine o stagni) o per impianti fissi (come ad es. i dispositivi di sollevamento o le pompe per fontane).

DATI TECNICI

Modello n.º	SP501AC	SP502AC
Applicazione	Acqua pulita	Acqua pulita e sporca
Interruttore a galleggiante	Sì	
Tensione	230 V CA / 50 Hz	
Potenza assorbita	300W	400W
Portata max.	6500l/h	8000l/h
Pressione max.	0.6 bar	0.55 bar
Altezza max pompaggio	6m	5.5m
Profondità max	7m	
Dimensione max. particelle	5mm	25mm
Altezza minima dell'acqua residua (funzionamento manuale) *	5mm	20mm
Altezza di accensione (funzionamento automatico) **	50cm	

Altezza di spegnimento (funzionamento automatico)	5cm	
Temperatura dell'acqua max.	35°C	
Protezione	IPX8	
Termoprotettore del motore	Sì	
Connettore del tubo flessibile di scarico	25mm, 32mm, G1"	
Diametro interno tubo flessibile consigliato	32mm	
Presa di scarico dell'acqua	G1 ¼"	
Lunghezza del cavo	10m	
Peso	3.22 kg	3.28 kg

- * L'altezza dell'acqua residua dichiarata viene raggiunta solo durante il funzionamento manuale.
- ** L'altezza di accensione/spegnimento può variare in base alla posizione dell'interruttore a galleggiante.

DESCRIZIONE

I numeri che compaiono nel testo si riferiscono agli schemi riportati a pagina 2-3.

1. Manico di trasporto
2. Fermo (dell'interruttore a galleggiante)
3. Interruttore di accensione/spegnimento a galleggiante
4. Base
5. Raccordo per tubo flessibile
6. Raccordo a gomito per scarico acqua
7. Presa di scarico dell'acqua
8. Foro di sfiato

3. ASSEMBLAGGIO



Più grande è il diametro del tubo flessibile e del raccordo per il tubo flessibile, maggiore è la portata.



Per ottenere la portata massima occorre usare un tubo flessibile di 32 mm (diametro interno).



Più bassa è l'altezza di mandata, maggiore è la portata.

Montaggio del tubo flessibile di scarico (Figg. A e B)

1. Decidere il diametro del tubo flessibile che si intende usare. Vedere la Fig. B.
2. Tagliare via i segmenti più piccoli del raccordo del tubo flessibile (5) non necessari, utilizzando un coltello o una sega adatti (non inclusi). In questo modo si eliminano le restrizioni di portata inutili, assicurando la capacità massima della pompa e la massima portata d'acqua.
3. Avvitare il raccordo a gomito di scarico (6) alla presa di scarico dell'acqua (7).
4. Avvitare il raccordo per tubo flessibile (5) sul raccordo a gomito di scarico (6).
5. Montare il tubo flessibile sul raccordo (5) e fissarlo con una fascetta stringitubo in acciaio inossidabile (non inclusa).
6. Fissare una corda adatta (non inclusa) al manico di trasporto (1), per calare la pompa in profondità e tirarla fuori di nuovo dall'acqua. Non calare o sollevare mai la pompa trattenendola dal cavo di alimentazione.

4. USO



Non utilizzare mai questa pompa in uno stagno o in una piscina in presenza di persone in acqua!



Non tirare mai la pompa afferrandola dal cavo di alimentazione. La pompa deve essere trasportata e messa in acqua utilizzando il manico di trasporto (1) oppure, se l'acqua è profonda, deve essere calata con una fune legata al manico di trasporto (1).



Spegnere sempre la pompa e staccare la spina dalla presa di corrente prima di immergerla o toglierla dall'acqua. Riaccendere di nuovo l'apparecchio solo con le mani asciutte.



Non fare mai funzionare questa pompa a secco, fuori dall'acqua. Se l'apparecchio si surriscalda, il dispositivo termico di interruzione lo spegne. Se ciò dovesse accadere, attendere 5 minuti prima di utilizzare nuovamente la pompa.



Valvola automatica di sfiato dell'aria: la valvola automatica di sfiato dell'aria elimina le eventuali sacche d'aria presenti nella

pompa. Durante questo processo, l'aria fuoriesce attraverso il foro di sfiato (8) e sott'acqua compaiono delle bolle d'aria. Non si tratta di un difetto della pompa. Questo serve ad espellere l'aria dall'apparecchio. Quando la pompa viene immersa nell'acqua la prima volta possono trascorrere diversi secondi prima che l'aria sia espulsa.

Funzionamento automatico



La lunghezza del cavo tra l'interruttore a galleggiante (3) e il fermo dell'interruttore a galleggiante (2) deve essere sempre di almeno 10 cm.

1. Per regolare l'altezza di accensione e di spegnimento, fissare il cavo dell'interruttore a galleggiante (3) al fermo dell'interruttore a galleggiante (2) alla lunghezza desiderata.
2. Calare la pompa in acqua. Sarebbe consigliabile appoggiare la pompa su una piattaforma solida sul fondo per mantenerla possibilmente in posizione verticale. Assicurarsi che non vi siano ostacoli in prossimità delle aperture di ingresso intorno alla base della pompa. Le aperture di ingresso devono essere libere da fango o melma sul fondo di una piscina.
3. Collegare la spina del cavo di alimentazione alla presa elettrica.
4. Quando la pompa viene immersa in acqua e l'alimentazione viene attivata, inizia a funzionare appena l'interruttore galleggiante (3) raggiunge l'altezza minima di attivazione (circa 50 cm) nell'acqua.
5. La pompa si spegne appena l'interruttore a galleggiante (3) raggiunge l'altezza di spegnimento (circa 5 cm) a causa dell'abbassamento del livello dell'acqua.
6. Accertarsi che l'interruttore a galleggiante (3) non sia ostruito in alcun modo.
7. Dopo l'uso spegnere la pompa e staccare la spina dalla presa di corrente.
8. Tirare su di nuovo la pompa dall'acqua.

Funzionamento manuale

Se si preferisce utilizzare la modalità di funzionamento manuale è possibile attivare il motore sollevando con la mano l'interruttore a galleggiante (3) (accensione) con la mano oppure disattivarlo abbassando l'interruttore a galleggiante (spegnimento).

Operazione finale

Dopo l'uso, lasciare in funzione la pompa con acqua pulita per 2 - 3 minuti per rimuovere residui e particelle che potrebbero essersi accumulati nella pompa e nel tubo di scarico.

5. MANUTENZIONE



Prima di eseguire qualsiasi operazione di pulizia e intervento di manutenzione spegnere sempre l'elettrodomestico e staccare la spina dalla presa di corrente.



Durante gli interventi di manutenzione o pulizia non appoggiare mai l'apparecchio sulla turbina (girante).

All'interno non sono presenti componenti riparabili dall'utilizzatore. Se l'apparecchio dovesse apparire bloccato, staccare la spina dalla presa elettrica e controllare che non vi siano ostruzioni (vedere la sezione "Ostruzioni").

OSTRUZIONI

Nel caso in cui si sospetti che la pompa si sia bloccata, staccare la spina dalla presa di corrente ed esaminare la turbina. È possibile accedere alla turbina rimuovendo le viti di fissaggio nella base e/o nella sottobase. In alternativa, provare a raggiungere la presunta ostruzione attraverso lo scarico (7) sul lato della pompa.



Dopo ciascun utilizzo sciacquare sempre a fondo con acqua pulita.

CONSERVAZIONE E PROTEZIONE DAL GELO

Se l'acqua non viene scaricata completamente dalla pompa sommersa e dai relativi accessori, un'eventuale esposizione al gelo può causare danni gravissimi. Svuotare completamente la pompa sommersa e gli accessori dall'acqua e proteggerli dal gelo.

Conservare la pompa in un ambiente asciutto e ben ventilato, in cui la temperatura non scenda al di sotto di +5 °C.

Quando non viene usato, conservare l'apparecchio in un luogo sicuro, fuori dalla portata dei bambini.

GUIDA PER LA RISOLUZIONE DEI PROBLEMI

Problema	Causa	Soluzione
La pompa non si avvia	Alimentazione di rete assente Interruttore a galleggiante vincolato	Controllare l'alimentazione di rete Portare l'interruttore a galleggiante più in alto
La pompa è attiva ma non viene mandata acqua	Turbina ostruita	Scollegare la pompa dalla presa di corrente e pulire o sbloccare la turbina (Vedere la sezione "OSTRUZIONI")
La pompa non si spegne	Interruttore a galleggiante vincolato	Portare l'interruttore a galleggiante più in basso
La pompa non si avvia e non si ferma durante l'uso. La pompa si spegne dopo brevi intervalli di funzionamento	Si è attivato il dispositivo termico di interruzione per sovraccarico	Scollegare la spina dalla presa di corrente, attendere 2 minuti e liberare la turbina (se necessario, vedere la sezione "Ostruzioni")
	È saltata la corrente	Controllare i fusibili e i collegamenti elettrici
	Turbina ostruita	Scollegare la pompa dalla presa di corrente e pulire o sbloccare la turbina (Vedere la sezione "OSTRUZIONI")
	Acqua troppo calda	Assicurarsi che la temperatura dell'acqua non superi il valore massimo di 35°C

Solo per i Paesi CE

Non smaltire gli elettrodomestici insieme ai rifiuti domestici. Secondo la Direttiva europea 2012/19/EC sui rifiuti delle apparecchiature elettriche ed elettroniche e relativa implementazione nelle normative locali, gli elettrodomestici ormai inutilizzabili devono essere raccolti separatamente e smaltiti in modo ecologico.

DEFINIZIONI DELLA GARANZIA

I prodotti VONROC sono sviluppati secondo i più elevati standard di qualità e viene garantita l'assenza di difetti nei materiali e nella manodopera per il periodo contrattuale a partire dalla data di acquisto originale. Qualora il prodotto dovesse subire un guasto qualsiasi durante questo periodo a causa di difetti nei materiali e/o nella manodopera, si prega di contattare direttamente il VONROC.

Le seguenti circostanze sono escluse da questa garanzia:

- Riparazioni e/o modifiche alla macchina sono state eseguite o tentate da centri di assistenza non autorizzati.
- Normale usura.
- L'utensile è stato abusato, utilizzato o manutenu- to in modo improprio.
- Sono state utilizzate parti di ricambio non origi- nali.

Ciò costituisce l'unica garanzia espressa o implicita fornita dall'azienda. Non esistono altre garanzie es- presse o implicite che si estendono oltre il presente documento, ivi comprese le garanzie implicite di commerciabilità e idoneità per uno scopo particola- re. In nessun caso VONROC sarà responsabile di eventuali danni incidentali o consequenziali. I rime- di dei rivenditori saranno limitati alla riparazione o sostituzione di unità o parti non conformi.

Il prodotto e il manuale per l'utente sono soggetti a modifiche. I dati tecnici possono essere modificati senza ulteriore notifica.

RISPETTO AMBIENTALE



Se si prevede che la macchina non verrà usata per molto tempo si consiglia di conservare le batterie cariche.

1. SÄKERHETSFÖRESKRIFTER

Läs de medföljande säkerhetsvarningarna, de tillkommande säkerhetsvarningarna och anvisningarna.

Om inte säkerhetsvarningarna och anvisningarna följs kan detta orsaka elstötar, brand och/eller allvarliga kroppsskador. Behåll säkerhetsvarningarna och anvisningarna för framtida bruk.

Följande symboler används i bruksanvisningen eller på produkten:



Läs igenom bruksanvisningen.



Anger risk för personskada, dödsfall eller skada på verktyget om anvisningarna i denna handbok inte följs.



Anger risk för elektrisk stöt.



Skydda apparaten mot frost.



Max djup.



Släng inte produkten i olämpliga behållare.



Produkten är i överensstämmelse med tillämpliga säkerhetsstandarder i EU-direktiven.

SÄKERHETSANVISNINGAR

DENNA APPARAT KAN ANVÄNDAS AV BARN FRÅN 8 ÅR OCH PERSONER MED NEDSATT FYSISK ELLER PSYKISK FÖRMÅGA ELLER BRISTANDE ERFARENHET ELLER KUNSKAP, OM DE ÖVERVAKAS ELLER FÅR INSTRUKTIONER OM HUR APPARATEN ANVÄNDS PÅ ETT SÄKERT SÄTT OCH ÄR MEDVETNA OM RISKERNA. BARN FÅR INTE LEKA MED APPARATEN. RENGÖRING OCH ANVÄNDARUNDERHÅLL SKA INTE UTFÖRAS AV BARN UTAN ÖVERVAKNING. OM EN STRÖMSLADD ÄR SKADAD MÅSTE DEN BYTAS AV TILLVERKAREN, TILLVERKARENS SERVICEOMBUD ELLER LIKANDE KVALIFICERAD PERSONAL FÖR ATT UNDVIKA FARA. KONTAKTEN MÅSTE DRAS UT UR ELUTTAGET INNAN APPARATEN RENGÖRS ELLER UNDERHÅLLS.

Läs dessa instruktioner noggrant innan du använder apparaten och förvara dem för framtida referens. Det är mycket viktigt att du förstår hur du använder apparaten på ett säkert sätt, så ta dig tid att bekanta dig med kraven som beskrivs i dessa instruktioner.

- Om du är osäker på något sätt när det gäller att använda denna apparat, rekommenderar vi starkt att du anlitar en lämplig kvalificerad person.
- Elektrisk anslutning måste skyddas av en jordfelsbrytare (RCD) i eluttaget med en nominell utlösningström på 30 mA (max).
- Håll barn och husdjur långt borta från arbetsområdet och låt aldrig barn använda apparaten eller vidröra förlängningskabeln. När det inte används bör redskapet förvaras utom räckhåll för barn på en säker plats.
- Lämna aldrig apparaten utan uppsikt när den används.
- Dra aldrig apparaten i elsladden. Bär den med bärhandtaget.
- Låt inte elsladden ligga på eller över vassa föremål som kan sticka igenom den yttre isoleringen. Inspektera visuellt elsladden innan användning och, om den är skadad, byt den hos ett specialiserat servicecenter. Använd inte apparaten om sladden är skadad.
- Håll sladden borta från värme, frost, olja, lösningsmedel eller vassa föremål eller kanter.
- Elektriska anslutningar, t ex förlängningskabel, måste alltid skyddas mot fukt.
- Kontrollera att effektnivån på din apparat överensstämmer med elnätet. Matningsspänningen måste vara 230VAC.
- Kör aldrig apparaten torr utan vatten. Om apparaten överhettas stänger den termiska urkopplingen av den. Om detta händer, vänta fem minuter innan du använder apparaten igen.
- Låt alltid apparaten vara avstängd och ta ut kontakten ur eluttaget innan du sätter i den eller tar ut den ur vattnet. Slå bara på strömmen igen med torra händer.
- Använd aldrig apparaten i en damm eller pool när någon är i vattnet!
- Använd inte pumpen för dricksvatten.
- Frätande, brandfarliga eller explosiva ämnen, fett, olja, saltvatten och avlopp får inte transporteras av pumpen.
- Vattnets pH måste vara mellan 6,5 och 8,5.
- Temperaturen på den transporterade vätskan får inte överstiga 35 °C.

Elsäkerhet

När du använder elektriska maskiner beakta alltid de gällande säkerhetsbestämmelserna i ditt land för att reducera elfara, elektriska stötar och personsador. Läs de följande säkerhetsanvisningarna och också de bifogade säkerhetsanvisningarna.



Kontrollera alltid att energitillförseln motsvarar spänningen på märkplåten.

Anslutning till strömförsörjning

Kontrollera att strömförsörjningen och kontakten används i enlighet med din maskin. Ta en titt på typskylten på maskinen. Alla ändringar ska utföras av en behörig elektriker.



Varning! Denna maskin måste jordas. Om maskinen inte är ordentligt jordad kan den orsaka elstötar. Se till att eluttaget är jordat. Vid tveksamheter, kontrollera det med hjälp av en behörig elektriker.



Varning! Undvik kontakt med terminalerna på kontakten när du sätter i (eller tar bort) kontakten i (från) eluttaget. Beröring kommer att orsaka allvarliga elektriska stötar.

Byte av kablar och stickproppar

Kasta omgående gamla kablar eller stickkontakter som har ersatts med nya. Det är farligt att sticka in stickkontakten av en lös kabel i vägguttaget.

Användning av kabelförlängningar

Använd enbart godkända kabelförlängningar passande för maskinens ineffekt. Min. ledarestorlek är 1.5 mm². När du använder kabelrulle linda alltid av rullen helt.

2. MASKININFORMATION**Avsedd användning**

Pumpen är avsedd för privat bruk för dränering av översvämmade hus- och trädgårdsområden men även för att överföra vatten till och från tankar och pumpa ut dem, från att pumpa ut vatten från brunnar och liknande och för att dränera båtar och yachter. Explosiva, frätande eller brandfarliga ämnen, avlopp, saltvatten, fett och olja får inte transporteras av pumpen.

Partikelstorlekarna på fasta ämnen i det smutsiga vattnet får inte överstiga den maximala partikelstorlek som anges i tekniska data.

Denna pump är inte avsedd för kontinuerlig drift (t.ex. som en pool- eller dammcirkulationspump) eller för stillastående installationer (t.ex. lyftanordning, fontänpump).

TEKNISKA SPECIFIKATIONER

Modellnr.	SP501AC	SP502AC
Användning	Rent vatten	Rent eller smutsigt vatten
Flottörbrytare	Ja	
Spänning	230 VAC / 50 Hz	
Ingångseffekt	300W	400W
Max flödes hastighet	6500l/h	8000l/h
Max tryck	0.6 bar	0.55 bar
Max pumphöjd	6m	5.5m
Max djup	7m	
Max partikelstorlek	5mm	25mm
Min. restvattenhöjd (manuell drift) *	5mm	20mm
Tillkopplingshöjd (automatisk drift) **	50cm	
Avstängningshöjd (automatisk drift)	5cm	
Max vattentemperatur	35°C	
Skydd	IPX8	
Inbyggt termiskt motorskydd	Ja	
Anslutning utgångsslang	25mm, 32mm, G1"	
Rekommenderad inre slangdiameter	32mm	
Vattenutlopp	G1 ¼"	
Kabellängd	10m	
Vikt	3.22 kg	3.28 kg

* Den angivna restvattenhöjden uppnås endast vid manuell drift.

** Kopplingshöjden kan variera beroende på flottörbrytarens läge.

BESKRIVNING

Siffrorna i texten nedan hänvisar till bilderna på sidorna 2-3.

1. Bärhandtag
2. Lås (flottörbrytare)
3. Flottörbrytare på/av
4. Bas
5. Slanganslutning
6. Vattenutlopp böjanslutning
7. Vattenutlopp
8. Avluftningshåll

3. MONTERING



Ju större slang och slanganslutningsdiametrer, desto större flöde.



En 32 mm (innerdiameter) slang måste användas för att uppnå maximal flödeshastighet.



Ju lägre leveranshöjd, desto större flöde.

Montera utloppsslangen (bild A, B)

1. Bestäm vilken slangdiameter du ska använda. Se bild B.
2. Klipp av de mindre stegen på slanganslutningen (5) som inte behövs med en lämplig kniv eller såg (ingår ej). Detta tar bort onödiga flödesbegränsningar och säkerställer maximal pumpkapacitet och vattenflöde.
3. Skruva in utloppsbojanslutningen (6) i vattenutloppet (7).
4. Skruva fast slanganslutningen (5) på utloppsbojen (6).
5. Montera slangen på slanganslutningen (5) och säkra med en slangklämma i rostfritt stål (ingår ej).
6. Fäst ett lämpligt rep (ingår ej) i bärhandtaget (1), för att sänka pumpen i djupt vatten och lyfta tillbaka pumpen ur vattnet. Sänk eller lyft aldrig pumpen med kabeln.

4. DRIFT



Använd aldrig pumpen i en damm eller pool när någon är i vattnet!



Dra aldrig pumpen i elsladden. Pumpen måste bäras av och placeras i vattnet med hjälp av bärhandtaget (1) eller om vattnet är djupt, sänkas ned med ett rep som är fäst vid bärhandtaget (1).



Låt alltid pumpen vara avstängd och ta ut kontakten ur eluttaget innan du sätter i den eller tar ut den ur vattnet. Slå bara på strömmen igen med torra händer.



Kör aldrig pumpen torr utan vatten. Om apparaten överhettas stänger den termiska avstängningen av den. Om detta händer, vänta fem minuter innan du använder pumpen igen.



Automatisk luftventil: Den automatiska luftventilen eliminerar eventuella luftfickor i pumpen. Under denna process släpps luft ut genom ventilationshålet (8) och luftbubblor dyker upp under vattnet. Det här är inte en defekt på din pump utan tjänar till att ta bort luft från pumpen. Det kan ta flera sekunder för luften att släppas ut när pumpen sänks ner för första gången.

Automatisk drift



Kabellängden mellan flottörbrytaren (3) och flottörbrytarlåset (2) måste alltid vara minst 10 cm.

1. För att justera på- och avslagningshöjden, fäst flottörbrytarkabeln (3) vid flottörbrytarlåset (2) i önskad längd.
2. Sänk ner pumpen i vattnet. Det är tillrådligt att ställa pumpen på en solid plattform längst ner för att hålla den upprätt, om det är praktiskt möjligt. Se till att det inte finns några hinder runt inloppsöppningarna runt pumpens botten. Inloppsöppningarna måste vara rena från lera eller slam i botten av en pool eller damm.
3. Anslut nätkontakten.
4. När pumpen sänks ner i vattnet och strömmen slås på kommer den att fungera så snart flottörbrytaren (3) når den minsta aktiveringshöjden

(cirka 50 cm) i vattnet.

5. Pumpen stängs av så snart flottörbrytaren (3) har nått avstängningshöjden (ca 5 cm) på grund av den fallande vattennivån.
6. Se till att flottörbrytaren (3) inte blockeras på något sätt.
7. Stäng alltid av pumpen och ta ut kontakten från strömkällan efter användning.
8. Lyft upp pumpen ur vattnet.

Manuell drift

Där manuell drift föredras kan motorn aktiveras genom att lyfta flottörbrytaren (3) för hand (PÅ) eller sänka den för hand (AV).

Avsluta operationen

Efter användning, låt pumpen gå med rent vatten i 2-3 minuter för att avlägsna rester och partiklar som kan ha ackumulerats i pumpen och utloppsslangen.

5. UNDERHÅLL



Stäng alltid av maskinen och ta ut strömkontakten från strömkällan innan rengöring och underhåll.



Under underhåll eller rengöring får du aldrig vila apparaten på turbinen (pumphjulet).

Det finns inga delar inuti laddaren som kan servas av användaren. Om apparaten verkar vara blockerad, koppla bort strömförsörjningen genom att ta ut kontakten ur eluttaget och kontrollera om det finns blockeringar i apparaten (se "Blockeringar").

BLOCKERINGAR

Om du misstänker att pumpen har blockerats, koppla bort strömförsörjningen genom att ta ut kontakten ur eluttaget och undersök turbinen. Du kommer åt turbinen genom att ta bort fästskruvarna i basen och/eller underdelen. Försök alternativt att nå den misstänkta blockeringen genom utloppet (7) på pumpens sida.



Spola alltid igenom med rent vatten efter varje användning.

FÖRVARING OCH FROSTSKYDD

Den nedsänkbara pumpen och tillbehör som inte är helt tömda kan förstöras av frost. Töm den nedsänkbara pumpen och tillbehör helt och skydda

dem mot frost.

Förvara apparaten i väl ventilerade torra lokaler med en temperatur som inte understiger + 5 °C. När det inte används bör redskapet förvaras utom räckhåll för barn på en torr och säker plats med god ventilation.

FELSÖKNINGSGUIDE

Problem	Orsak	Åtgärd
Pumpen startar inte	Ingen strömförsörjning Flottör begränsad	Kontrollera nätspänningen Flytta flottören till en högre position
Pumpen är aktiv men inget vatten levereras	Turbinen igensatt	Koppla bort pumpen från strömförsörjningen och rengör eller avblockera turbinen (se "BLOCKERINGAR")
Pumpen stängs inte av	Flottör begränsad	Flytta flottören till en lägre position
Pumpen startar inte eller stannar under användning. Pumpen stängs av efter korta driftperioder	Termisk säkerhetsbrytare för överbelastning har aktiverats	Koppla från strömförsörjningen, låt stå i 2 minuter och rensa turbinen (vid behov, se "Blockeringar")
	Strömmen har gått	Kontrollera säkringar och elektriska anslutningar
	Turbinen igensatt	Koppla bort pumpen från strömförsörjningen och rengör eller avblockera turbinen (se "BLOCKERINGAR")
	Vattnet är för varmt	Se till att vattentemperaturen inte har överskridit maximalt 35°C

MILJÖ



Felaktigt och/eller kasserad elektrisk eller elektronisk utrustning måste lämnas in på lämpliga återvinningsstationer.

Endast för EU-länder

Släng inte elverktyg i hushållsavfallet. Enligt det europeiska WEEE-direktivet 2012/19/EU för avfall från elektrisk och elektronisk utrustning och dess tillämpning nationellt ska elverktyg som inte längre kan användas samlas in separat och kasseras på ett miljövänligt sätt.

GARANTI

VONROC produkter är utvecklade enligt högsta kvalitetsstandard och garanteras vara utan defekter både vad gäller material och tillverkning under den period som stipuleras enligt lag med början från ursprungligt inköpsdatum. Om något fel uppstår på produkten under denna period på grund av material- och/eller tillverkningsfel skall VONROC kontaktas direkt.

Följande omständigheter exkluderas från denna garanti:

- Reparationer eller ändringar som gjorts eller försökt göras på maskinen av ett icke auktoriserat servicecenter.
- Normalt slitage.
- Verktyget har missbrukats, använts fel eller underhållits på felaktigt sätt.
- Icke-originalreservdelar har använts.

Detta utgör hela garantin från företaget, antingen uttryckt eller underförstått. Det finns inga andra garantier, uttalade eller underförstådda som gäller utöver ordalydelsen härav, häri, inklusive de outtalade garantierna för säljbarhet och lämplighet för ett särskilt syfte. Under inga omständigheter skall VONROC hållas ansvarig för några oförutsedda eller indirekta skador. Återförsäljarens åtgärder skall begränsas till reparation eller byte av felaktiga enheter eller delar.

Med förbehåll för ändringar i produkten och bruksanvisningen. Specifikationer kan ändras utan förvarning.

1. SIKKERHEDSANVISNINGER

Læs de medfølgende sikkerhedsadvarsler, de supplerende sikkerhedsadvarsler og instruktionerne. Såfremt sikkerhedsadvarsler og instruktioner ikke følges, kan dette medfølge elektriske stød, brand og/eller alvorlige ulykker. Gem alle sikkerhedsadvarsler og instruktioner til fremtidig reference.

Følgende symboler anvendes i denne brugermanual eller på produktet:



Læs brugermanualen.



Angiver risiko for personskade, dødsfald eller beskadigelse af værktøjet i tilfælde af manglende overholdelse af anvisningerne i denne vejledning.



Indikerer farer for elektrisk stød.



Beskyt apparatet mod frost.



Maks. dybde.



Kassér ikke produktet i en forkert container.



Produktet overholder de gældende sikkerhedsstandarder i de europæiske direktiver.

SIKKERHEDSBEMÆRKNINGER

DETTE APPARAT KAN ANVENDES AF BØRN PÅ 8 ÅR OG DEROVER SAMT AF PERSONER MED NEDSATTE FYSISKE, SENSORISKE ELLER MENTALE EVNER ELLER MANGLENDE ERFARING OG VIDEN, HVIS DE HOLDES UNDER OPSYN ELLER HAR FÅET VEJLEDNING I AT BRUGE APPARATET PÅ EN SIKKER MÅDE OG FORSTÅR DE DERMED FORBUNDNE RISICI. BØRN MÅ IKKE LEGE MED APPARATET. RENGØRING OG BRUGERVEDLIGEHOLDELSE MÅ IKKE UDFØRES AF BØRN UDEN OPSYN. HVIS FORSYNINGSLEDNINGEN ER BESKADIGET, SKAL DEN UDSKIFTES AF PRODUCENTEN, DENS SERVICEAGENT ELLER LIGNENDE KVALIFICEREDE PERSONER FOR AT UNDGÅ FARER. STIKKET SKAL TRÆKKES UD AF STIKKONTAKTEN INDEN RENGØRING ELLER VEDLIGEHOLDELSE AF APPARATET.

Læs disse anvisninger grundigt og omhyggeligt, inden du bruger dette apparat, og gem dem til fremtidig reference. Det er meget vigtigt, at du

forstår, hvordan dette apparat bruges på en sikker måde, og du bør derfor afsætte tid til at sætte dig ind i kravene, som angivet i disse anvisninger.

- Hvis du har nogen form for tvivl vedrørende brugen af dette apparat, anbefaler vi kraftigt, at du får en person med de passende kvalifikationer til det.
- Den elektriske forbindelse skal beskyttes af en fejlstrømsafbryder (RCD) i stikkontakten med en nominal udkoblingsstrøm på 30 mA (maks.).
- Hold børn og kæledyr på god afstand af arbejdsområdet, og lad aldrig børn anvende dette apparat eller på noget som helst tidspunkt røre ved forlængerledningen. Når det ikke er i brug, skal dette apparat opbevares et sikkert sted uden for børns rækkevidde.
- Lad aldrig apparatet være uden opsyn, når det er i brug.
- Træk aldrig i apparatet ved at holde i strømledningen. Bær det ved hjælp af bærehåndtaget.
- Lad aldrig strømledningen ligge på eller over skarpe genstande, der kan gennembore den udvendige isolering. Udfør et visuelt eftersyn af strømledningen før brug, og hvis den er beskadiget, skal den udskiftes af et særligt servicecenter. Brug ikke apparatet, hvis ledningen er beskadiget.
- Hold strømledningen væk fra varme, frost, olie, opløsningsmidler og skarpe genstande eller kanter.
- Elektriske forbindelser, f.eks. forlængerledning, skal altid beskyttes mod fugt.
- Kontrollér, at mærkeeffekten på dit apparat stemmer overens med mærkeeffekten ved din netforsyning. Forsyningsspændingen skal være 230VAC.
- Kør aldrig dette apparat tørt/uden for vandet. Hvis apparatet bliver overophedet, slukker termosikringen det. Hvis dette sker, skal du vente 5 minutter, før du bruger apparatet igen.
- Sørg altid for, at apparatet er slukket, og stikket er taget ud af stikkontakten, inden du placerer det i eller tager det ud af vand. Tænd kun for strømmen igen med tørre hænder.
- Brug aldrig dette apparat i en dam eller swimmingpool, mens der er folk til stede i vandet!
- Brug ikke pumpen til drikkevand.
- Korrosive, brandfarlige eller eksplosive stoffer, fedt, olie, saltvand og spildevand må ikke transporteres af pumpen.
- Vandets pH-værdi skal være mellem 6,5 og 8,5.

- Den transporterede væskes temperatur må ikke overstige 35 °C.

Elektrisk sikkerhed

Når man anvender elektriske maskiner, skal de gældende lokale forskrifter altid følges for at reducere risikoen for brand, elektrisk stød og personskader. Læs sikkerhedsforskrifterne nedenfor.



Kontroller altid, at strømforsyningen svarer til den spænding, der er angivet på typeskiltet.

Tilslutning til strømforsyningen

Kontrollér, at strømforsyningen og stikket er i overensstemmelse med din maskine. Kig på mærkepladen på maskinen. Eventuelle ændringer skal altid udføres af en kvalificeret elektriker.



Advarsel! Denne maskine skal forbindes til jord. Hvis denne maskine ikke forbindes korrekt til jord, kan det forårsage et elektrisk stød. Sørg for, at strømforsyningskontakten er forbundet til jord. Hvis du er i tvivl, bør du få det undersøgt af en kvalificeret tekniker.



Advarsel! Undgå kontakt med terminalerne på stikket, når du sætter (fjerner) stikket i (fra) strømforsyningskontakten. Kontakt vil forårsage et alvorligt elektrisk stød.

Udskiftning af kabler og stik

Det er farligt at sætte stikket på et løst kabel i stikkontakten.

Brug af forlængerledninger

Brug kun godkendte forlængerledninger, som passer til maskinens indgangseffekt. Mindste ledertykkelse er 1,5 mm². Hvis der anvendes en kabeltromle, skal kablet altid rulles helt ud.

2. MASKINOPLYSNINGER

Tilsløget brug

Pumpen er beregnet til privat brug til dræning af oversvømmede hus- og haveområder, men også til at overføre vand til og fra tanke og til at udpumpe dem, til at trække vand fra brønde og skakte og til dræning af både og lystbåde. Eksplosive, korrosive, brandfarlige stoffer, spildevand, saltvand, fedt og

olie må ikke transporteres af pumpen. Partikelstørrelserne af de faste stoffer i det snavse vand må ikke overstige den maksimale partikelstørrelse, der er specificeret i de tekniske data. Denne pumpe er ikke designet til kontinuerlig drift (f.eks. som cirkulationspumpe til dam eller swimmingpool) eller til stationære installationer (f.eks. løfteanordning, springvandspumpe).

TEKNISKE SPECIFIKATIONER

Model nr.	SP501AC	SP502AC
Anvendelse	Rent vand	Rent eller snavset vand
Svømmerafbryder	Ja	
Spænding	230 V AC / 50 Hz	
Indgangseffekt	300W	400W
Maks. strømningshastighed	6500l/h	8000l/h
Maks. tryk	0.6 bar	0.55 bar
Maks. pumpehøjde	6m	5.5m
Maks. dybde	7m	
Maks. partikelstørrelse	5mm	25mm
Min. restvandhøjde (manuel drift) *	5mm	20mm
Tændingshøjde (automatisk drift) **	50cm	
Slukningshøjde (automatisk drift)	5cm	
Maks. vandtemperatur	35°C	
Beskyttelse	IPX8	
Indbygget termisk motorbeskytter	Ja	
Udgangsslangeforbindelse	25mm, 32mm, G1"	
Anbefalet indvendig slangediameter	32mm	
Vandudgang	G1 ¼"	
Kabellængde	10m	
Vægt	3.22 kg	3.28 kg

* Den angivne restvandhøjde opnås kun i manuel drift.

** Skiftehøjden kan variere afhængigt af svømmerafbryderens position.

BESKRIVELSE

Tallene i den følgende tekst korresponderer med afbildningen på side 2-3.

1. Bærehåndtag
2. Lås (svømmerafbryder)
3. Svømmerafbryder til/fra
4. Base
5. Slangekonnektor
6. Bøjlet forbindelsesrør til vandudgang
7. Vandudgang
8. Udluftningshul

3. MONTERING



Jo større slange og slangekonnektordiаметer, des større strømning.



32 mm (indvendig diameter) slange skal anvendes for at opnå maksimal strømningshastighed.



Jo lavere leveringshøjde, des større strømning.

Fastgørelse af udgangsslangen (fig. A, B)

1. Afgør, hvilken slangediameter du vil bruge. Se figur B.
2. Skær de mindre trin af slangekonnektoren (5) af, som ikke er nødvendige, med en velegnet kniv eller sav (medfølger ikke). Dette fjerner unødvendige strømningsbegrænsninger og sikrer en maksimal pumpekapacitet og vandstrømning.
3. Skru det bøjede forbindelsesrør til udgangen (6) ind i vandudgangen (7).
4. Skru slangekonnektoren (5) på forbindelsesrøret til udgangen (6).
5. Sæt slangen på slangekonnektoren (5) og fastgør den med en slangeklemme af rustfrit stål (medfølger ikke).
6. Fastgør et velegnet reb (medfølger ikke) til bærehåndtaget (1) for at sænke pumpen ned i dybt vand og for at løfte pumpen ud af vandet igen. Pumpen må aldrig sænkes eller løftes i dens kabel.

4. BETJENING



Brug aldrig denne pumpe i en dam eller swimmingpool, mens der er folk til stede i vandet!



Træk aldrig i pumpen ved at holde i strømledningen. Pumpen skal bæres og placeres i vandet ved hjælp af bærehåndtaget (1), og hvis vandet er dybt, skal den sænkes med et reb, der er bundet til bærehåndtaget (1).



Sørg altid for, at pumpen er slukket, og stikket er taget ud af stikkontakten, inden du placerer den i eller tager den ud af vand. Tænd kun for strømmen igen med tørre hænder.



Kør aldrig denne pumpe tørt/uden for vandet. Hvis apparatet bliver overophedet, slukker termosikringen det. Hvis dette sker, skal du vente 5 minutter, før du bruger pumpen igen.



Automatisk lufttømningsventil: Den automatiske lufttømningsventil fjerner eventuelle luftlommer i pumpen. Under denne proces slipper der luft ud gennem lufthullet (8), og der kommer bobler under vandet. Dette er ikke en fejl i din pumpe, men har til hensigt at fjerne luft fra pumpen. Det kan tage adskillige sekunder, før luften slipper ud, når pumpen nedsænkes for første gang.

Automatisk drift



Kabellængden mellem svømmerafbryderen (3) og svømmerafbryderlåsen (2) skal altid være mindst 10 cm.

1. For at justere indkoblings- og udkoblingshøjden skal svømmerafbryderens (3) kabel sættes på svømmerafbryderlåsen (2) ved den påkrævede højde.
2. Sænk pumpen ned i vandet. Det anbefales at stille pumpen på en solid platform på bunden for at holde den lodret, hvis dette kan lade sig gøre. Sørg for, at der ikke er nogen forhindringer omkring indgangsåbningerne omkring pumpens base. Indgangsåbningerne skal være

fri for mudder eller slam i bunden af en pool.

3. Tilslut netstikket.
4. Når pumpen sænkes ned i vandet, og der tændes for strømmen, begynder den at virke, så snart svømmerafbryderen (3) når den minimale aktiveringshøjde (ca. 50 cm) i vandet.
5. Pumpen slukkes, så snart svømmerafbryderen (3) har nået slukningshøjden (ca. 5 cm) pga. den faldende vandstand.
6. Sørg for, at svømmerafbryderen (3) ikke blokeres på nogen måde.
7. Efter brug skal du slukke for pumpen og trække netstikket ud af kontakten.
8. Løft pumpen ud af vandet igen.

Manuel drift

Når der foretrækkes manuel drift, kan motoren aktiveres ved at hæve svømmerafbryderen (3) med hånden (ON - tændt) eller sænke den med hånden (OFF - slukket).

Afsluttende drift

Efter brug skal du lade pumpen køre med rent vand i 2-3 minutter for fjerne rester og partikler, der kan have akkumuleret sig i pumpen og udgangsslangen.

5. VEDLIGEHOLDELSE



Før rengøring og vedligeholdelse skal du altid slukke for maskinen og trække netstikket ud af kontakten.



Under vedligeholdelse eller rengøring må du aldrig lade apparatet hvile på turbinen (kompressorhjulet).

Der er ingen dele i apparatet, der kan repareres af brugeren. Hvis apparatet lader til at være blokeret, skal du slukke for strømmen, tage stikket ud af kontakten og se apparatet efter for blokeringer (se "Blokeringer").

BLOKERINGER

Hvis du har mistanke om, at pumpen er blevet blokeret, skal du slukke for strømmen ved stikkontakten og tage stikket ud og undersøge turbinen. Du får adgang til turbinen ved at fjerne fastgørelsesskruerne i basen og/eller underbasen. Prøv som alternativ at nå den mistænkte blokering gennem udgangen (7) på siden af pumpen.



Skyl altid gennem med rent vand efter hver brug.

OPBEVARING OG FROSTBESKYTTELSE

Den nedsænkkelige pumpe og tilbehør, der ikke drænes helt, kan blive ødelagt af frost. Dræn den nedsænkkelige pumpe og tilbehøret fuldstændigt, og beskyt dem mod frost.

Opbevar dette apparat på et tørt sted med god udluftning og en temperatur, der ikke kommer ned under +5 °C.

Når det ikke er i brug, skal dette apparat opbevares et sikkert sted uden for børns rækkevidde.

VEJLEDNING TIL FEJLFINDING

Problem	Årsag	Løsning
Pumpe starter ikke	Ingen netforsyning Svømmer begrænset	Kontrollér netforsyning Bring svømmer til højere position
Pumpe er aktiv, men der leveres intet vand	Turbine tilstoppet	Kobl pumpe fra strømforsyningen, og rengør eller fjern blokering af turbine (se "BLOKERINGER")
Pumpe slukkes ikke	Svømmer begrænset	Bring svømmer til en lavere position
Pumpe starter eller stopper ikke under brug. Pumpe slukket efter korte driftsperioder	Sikkerhedsafbryder til termisk overbelastning er aktiveret	Kobl den fra strømforsyningen, lad den ligge i 2 minutter, og rens turbinen (hvis påkrævet - se "Blokeringer")
	Strømmen er gået	Kontrollér sikringer og el-forbindelser
	Turbine tilstoppet	Kobl pumpe fra strømforsyningen, og rengør eller fjern blokering af turbine (se "BLOKERINGER")
	Vandet er for varmt	Sørg for, at vandtemperaturen ikke har overskredet den maksimale på 35°C

MILJØ



Defekte og/eller bortskaffede elektriske og elektroniske apparater skal afleveres på en passende genbrugsstation.

Kun for EU-lande

Smid ikke el-værktøjer ud sammen med almindeligt affald. I henhold til de europæiske direktiver 2012/19/EU for elektrisk og elektronisk udstyr og er implementeret i henhold til nationale rettigheder, el-værktøj som ikke længere er anvendelig skal indsamles separat og genbruges på en miljøvenlig måde.

GARANTI

VONROC produkter er udviklet efter de højeste kvalitetsstandarder og er garanteret fri for mangler i såvel materialer som udførelse i den lovpligtige periode, der starter fra datoen for det oprindelige køb. Skulle produktet udvikle nogen fejl i løbet af denne periode på grund af defekte materialer og/eller fabriktionsfejl, så kontakt VONROC direkte.

De følgende forhold er udelukket fra denne garanti:

- Reparationer og eller rettelser er blevet foretaget eller forsøgt foretaget på maskinen af uautoriserede servicecentre.
- Normal slitage.
- Værktøjet har været misligholdt, misbrugt eller vedligeholdt forkert.
- Ikke originale reservedele er blevet anvendt.

Dette udgør den eneste garanti fra virks omheden enten udtrykt eller underforstået. Der er ingen andre garantier udtrykt eller underforstået, som strækker sig ud over forsiden heraf, herunder underforståede garantier for salgbarhed og egnethed til et bestemt formål. VONROC vil under ingen omstændigheder være ansvarlig for hændelige skader eller følgeskader. Forhandlernes afhjælpningsmidler vil være begrænsede til reparation eller udskiftning af fejlbehæftede enheder eller dele.

Produktet og brugermanualen kan ændres. Specifikationer kan ændres uden forudgående varsel.

1. INSTRUKCJE BEZPIECZEŃSTWA

Przeczytać dołączone ostrzeżenia dotyczące bezpieczeństwa, dodatkowe ostrzeżenia dotyczące bezpieczeństwa oraz instrukcję. Nieprzestrzeganie ostrzeżeń dotyczących bezpieczeństwa oraz instrukcji może prowadzić do porażenia prądem, pożaru i/lub poważnych obrażeń ciała. Zachować ostrzeżenia dotyczące bezpieczeństwa oraz instrukcje na przyszłość.

Następujące symbole są umieszczone w instrukcji obsługi lub na produkcie:



Przeczytać instrukcję obsługi.



Oznacza ryzyko obrażeń ciała, śmierci lub uszkodzenia narzędzia w razie nieprzestrzegania poleceń z instrukcji.



Wskazuje na niebezpieczeństwo porażenia prądem elektrycznym.



Urządzenie chronić przed mrozem.



7 m Maksymalna głębokość.



Nie wyrzucac produktu do nieodpowiednich pojemników.



Produkt spełnia wymagania odpowiednich norm bezpieczeństwa podanych w dyrektywach UE.

UWAGI DOTYCZĄCE BEZPIECZEŃSTWA

TO URZĄDZENIE MOŻE BYĆ UŻYWANE PRZEZ DZIECI W WIEKU OD 8 LAT I OSOBY Z OGRANICZONYMI ZDOLNOŚCIAMI FIZYCZNYMI, CZUCIOWYMI LUB UMYSŁOWYMI LUB NIEPOSIADAJĄCE DOŚWIADCZENIA I WIEDZY, JEŚLI ZNAJDUJĄ SIĘ ONE POD NADZOREM LUB ZOSTAŁY PRZESZKOLONE Z BEZPIECZNEGO UŻYTKOWANIA URZĄDZENIA I ROZUMIĘJĄ ZWIĄZANE Z TYM ZAGROŻENIA. DZIECIOM NIE WOLNO POZWAŁAĆ BAWIĆ SIĘ URZĄDZENIEM. DZIECIOM BEZ NADZORU NIE WOLNO PRZEPROWADZAĆ CZYSZCZENIA I KONSERWACJI URZĄDZENIA. JEŚLI PRZEWÓD ZASILANIA JEST USZKODZONY, MUSI GO WYMIENIĆ PRODUCENT, JEGO PRZEDSTAWICIEL SERWISOWY LUB PODOBNI, ODPOWIEDNIO WYKWAŁIFIKOWANA OSOBA, ABY UNIKNĄĆ ZAGROŻENIA. WTYCZKĘ NALEŻY WYJĄĆ Z GNIAZDKA PRZED ROZPOCZĘCIEM

CZYSZCZENIA URZĄDZENIA LUB CZYNNOŚCI KONSERWACYJNYCH DOTYCZĄCYCH URZĄDZENIA.

Proszę uważnie przeczytać niniejszą instrukcję przed rozpoczęciem korzystania z tego urządzenia i zachować ją na przyszłość. Bardzo ważne jest zrozumienie bezpiecznego sposobu obsługi tego urządzenia, dlatego proszę poświęcić czas na zapoznanie się z wymogami opisanymi w tej instrukcji.

- W dzieci.
- Nigdy nie pozostawiać włączonego urządzenia bez nadzoru.
- Nigdy nie ciągnąć urządzenia za przewód zasilający. Przenosić urządzenie za rączkę do przenoszenia.
- Przewód zasilający nie może leżeć na ostrych przedmiotach, które mogą przebić zewnętrzną izolację. Przed użyciem przewodu zasilającego i w przypadku jego uszkodzenia należy skontrolować przewód zasilający i w razie potrzeby poprosić o jego wymianę w specjalistycznym serwisie. Nie używać urządzenia, jeśli przewód jest uszkodzony.
- Chronić przewód zasilający przed gorącem, mrozem, olejami, rozpuszczalnikami i wszelkimi ostrymi krawędziami lub przedmiotami.
- Połączenia i przewody elektryczne, jak przedłużacz, należy stale chronić przed wilgocią.
- Sprawdzić, czy parametry zasilania podane na urządzeniu są zgodne z parametrami zasilania sieciowego. Napięcie zasilania musi wynosić 230VAC.
- Nigdy nie uruchamiać tego urządzenia na sucho, czyli niezanurzonego w wodzie. Jeśli urządzenie się przegrzeje, wyłącznik termiczny je wyłączy. Jeśli tak się stanie, odczekać 5 minut przed ponownym użyciem urządzenia.
- Zawsze wyłączać urządzenie i wyjmować wtyczkę zasilania z gniazdka przed włożeniem urządzenia do wody lub jego wyjęciem z wody. Włączając zasilanie z powrotem tylko suchymi rękami.
- Nigdy nie używać tego urządzenia w stawie lub basenie, w którym znajdują się ludzie!
- Nie używać pompy do wody pitnej.
- Przy pomocy tej pompy nie wolno pompować substancji żrących, łatwopalnych ani wybuchowych, smarów, olejów, słonej wody ani ścieków.
- Wartość pH wody musi mieścić się w zakresie od 6,5 do 8,5.
- Temperatura pompowanej cieczy nie może przekraczać 35°C.

Bezpieczeństwo elektryczne

Pod czas wykorzystania urządzenia elektrycznego należy zawsze przestrzegać odpowiednie przepisy bezpieczeństwa, które są ważne w Waszym kraju w celu zmniejszenia ryzyka pożaru, porażenia prądem elektrycznym oraz zranienia personelu.



Sprawdzić, czy napięcie sieciowe jest zgodne z parametrami na tabliczce znamionowej.

Podłączanie do zasilania

Dopilnować, aby zasilanie i wtyczka były zgodne z urządzeniem. Zapoznać się z tabliczką znamionową umieszczoną na urządzeniu. Wszelkie modyfikacje może przeprowadzać wyłącznie wykwalifikowany elektryk.



Ostrzeżenie! To urządzenie musi być uziemione. Jeśli nie będzie prawidłowo uziemione, to urządzenie może spowodować porażenie prądem. Dopilnować, aby gniazdo zasilania było uziemione. W razie wątpliwości zlecić kontrolę wykwalifikowanemu elektrykowi.



Ostrzeżenie! Unikać dotykania bolców wtyczki podczas wkładania (wyjmowania) wtyczki do (z) gniazdka zasilania. Dotknięcie spowoduje silne porażenie prądem.

Wymiana przewodów lub wtyczek

Jeśli przewód sieciowy zostanie uszkodzony, należy go wymienić na specjalny przewód sieciowy dostępny u producenta lub w jego dziale obsługi klienta. Wyrzucić stare przewody i wtyczki zaraz po ich wymianie na nowe. Niebezpieczne jest wkładanie do gniazdka wtyczki przewodu, który nie jest podłączony do urządzenia.

W przypadku zastosowania przedłużaczy

Należy stosować odpowiednie przedłużacze przystosowane do mocy urządzenia. Żyły takiego kabla muszą mieć minimalny przekrój 1,5 mm². Jeśli kabel przedłużający jest nawinięty na bęben, należy go całkowicie rozwinąć.

2. INFORMACJE O MASZYNIE

Przeznaczenie

Pompa jest przeznaczona do prywatnego użytku w celu usuwania wody z zalanego domu i ogrodu, jak również do pompowania wody do i ze zbiorników, pobierania wody ze studni oraz usuwania wody z łodzi i jachtów. Przy pomocy tej pompy nie wolno pompować substancji żrących, łatwopalnych ani wybuchowych, smarów, olejów, słonej wody ani ścieków.

Rozmiar cząstek stałych w brudnej wodzie nie może przekraczać maksymalnego rozmiaru cząstek podanego w danych technicznych.

Ta pompa nie jest przeznaczona do pracy ciągłej (np. jako pompa obiegowa w basenie lub stawie) ani do instalacji na stałe (np. w podnośniku, jako pompa w fontannie).

DANE TECHNICZNE

Nr modelu	SP501AC	SP502AC
Zastosowanie	Czysta woda	Czysta lub brudna woda
Przełącznik pływakowy	Tak	
Napięcie	Prąd zmienny 230V/50Hz	
Moc wejściowa	300W	400W
Maks. przepływ wody	6500l/h	8000l/h
Maks. ciśnienie	0.6 bar	0.55 bar
Maks. wysokość pompowania	6m	5.5m
Maks. głębokość	7m	
Maks. rozmiar cząstki	5mm	25mm
Min. pozostała głębokość wody (ręczna obsługa) *	5mm	20mm
Głębokość włączania (automatyczna praca) **	50cm	
Głębokość wyłączania (automatyczna praca)	5cm	
Maks. temperatura wody	35°C	
Ochrona	IPX8	
Wbudowany wyłącznik termiczny chroniący silnik	Tak	

Złącze węża odpływowego	25mm, 32mm, G1"	
Zalecana wewnętrzna średnica węża	32mm	
Odpływ wody	G1 ¼"	
Długość kabla	10m	
Ciężar	3.22 kg	3.28 kg

* Podana pozostała głębokość wody jest uzyskiwana tylko podczas obsługi ręcznej.

** Głębokość włączania może różnić się w zależności od położenia przełącznika pływakowego.

OPIS

Liczby w tekście odnoszą się do rysunków na stronie 2-3.

1. Rączka do przenoszenia
2. Blokada (przełącznik pływakowy)
3. Przełącznik pływakowy
4. Podstawa
5. Złącze węża
6. Złącze kolankowe odpływu wody
7. Odpływ wody
8. Otwór wentylacyjny

3. MONTAŻ



Im większa średnica węża i złącza węża, tym większy przepływ.



W celu uzyskania maksymalnego przepływu użyć węża o średnicy wewnętrznej 32 mm.



Im mniejsza wysokość pompowania, tym większy przepływ.

Podłączanie węża odpływu (rys. A, B)

1. Wybrać żądaną średnicę węża. Patrz rysunek B.
2. Odciąć mniejsze stopnie złącza węża (5), które są niepotrzebne, za pomocą odpowiedniego noża lub piły (nie dołączone). Spowoduje to usunięcie niepotrzebnych ograniczeń przepływu i zapewni uzyskanie maksymalnej wydajności pompy i maksymalnego przepływu wody.
3. Wkręcić złącze kolankowe odpływu wody (6) w odpływ wody (7).
4. Nakręcić złącze węża (5) na złącze kolankowe odpływu (6).

5. Założyć wąż na złącze węża (5) i przymocować go zaciskiem do węża ze stali nierdzewnej (nie dołączony).
6. Przymocować odpowiednią linę (nie dołączona) do rączki do przenoszenia (1), aby móc opuścić pompę do głębokiej wody i ją z niej wyciągnąć. Nigdy nie opuszczać ani nie wyjmować pompy za przewód.

4. OBSŁUGA



Nigdy nie używać pompy w stawie lub basenie, w którym znajdują się ludzie!



Nigdy nie ciągnąć pompy za przewód zasilający. Pompę należy przenosić i zanurzać w wodzie za pomocą rączki do przenoszenia (1) lub, jeśli woda jest głęboka, opuszczać ją do wody za linę przywiązaną do rączki do przenoszenia (1).



Zawsze wyłączać pompę i wyjmować wtyczkę zasilania z gniazdka przed włożeniem urządzenia do wody lub jego wyjęciem z wody. Włączać zasilanie z powrotem tylko suchymi rękami.



Nigdy nie uruchamiać tej pompy na sucho, czyli niezanurzonej w wodzie. Jeśli urządzenie się przegrzeje, wyłącznik termiczny je wyłączy. Jeśli tak się stanie, odczekać 5 minut przed ponownym użyciem pompy.



Automatyczny zawór odpowietrzający: Automatyczny zawór odpowietrzający usuwa korki powietrzne z pompy. Podczas tego procesu powietrze jest usuwane przez otwór wentylacyjny (8) i pod wodą widoczne są bąbelki powietrza. Nie oznacza to usterki pompy, tylko wskazuje na usuwanie z niej powietrza. Przy pierwszym zanurzeniu pompy usunięcie powietrza może potrwać kilka sekund.

Automatyczna praca



Długość kabla między przełącznikiem pływakowym (3) a blokadą przełącznika pływakowego (2) musi zawsze wynosić co najmniej 10 cm.

1. Aby dostosować głębokość włączania i wyłączenia, przymocować kabel przełącznika pływakowego (3) do blokady przełącznika pływakowego (2) na żądanej wysokości.
2. Opuścić pompę do wody. Zaleca się postawienie pompy na solidnej podstawie na dnie zbiornika, aby stała pionowo, jeśli to możliwe. Dopilnować, aby wokół otworów wlotowych wokół podstawy pompy nie znajdowały się żadne przeszkody. Otwory wlotowe muszą być wolne od mułu lub szlamu znajdującego się na dnie zbiornika wodnego.
3. Podłączyć wtyczkę do gniazdka zasilania.
4. Po opuszczeniu pompy do wody, gdy zasilanie jest włączone, pompa zacznie pracować, kiedy tylko przełącznik pływakowy (3) znajdzie się na minimalnej głębokości włączania (około 50 cm) w wodzie.
5. Pompa wyłączy się, gdy tylko przełącznik pływakowy (3) osiągnie głębokość wyłączenia (około 5 cm) z uwagi na obniżanie się lustra wody.
6. Dopilnować, aby przełącznik pływakowy (3) nie został zablokowany przez żadną przeszkodę.
7. Po użyciu zawsze wyłączać pompę i wyjmować wtyczkę zasilania sieciowego z gniazdka.
8. Wyjąć pompę z wody.

Obsługa ręczna

Jeśli preferowana jest obsługa ręczna, silnik można włączyć, podnosząc przełącznik pływakowy (3) ręcznie (WŁĄCZENIE) lub opuszczając go ręcznie (WYŁĄCZENIE).

Kończenie pracy

Po użyciu pozwolić pompie pompować czystą wodę przez 2 - 3 minuty, aby usunąć wszelkie pozostałości i cząsteczki, które mogły nagromadzić się w pompie i wężu odpływowym.

5. KONSERWACJA



Zawsze odłączyć narzędzie od zasilania sieciowego przed rozpoczęciem przeprowadzania jakichkolwiek prac konserwacyjnych.



Podczas konserwacji lub czyszczenia nigdy nie opierać urządzenia na turbinie (wirniku napędzanym).

Wewnątrz tego urządzenia nie znajdują się żadne części, które mógłby naprawiać użytkownik.

Jeśli wydaje się, że urządzenie jest zablokowane, wyłączyć zasilanie sieciowego, wyjąć wtyczkę z gniazdka i sprawdzić urządzenie pod kątem zatorów (patrz „Zatory”).

ZATORY

Jeśli podejrzewa się, że wystąpił zator pompy, wyłączyć zasilanie sieciowe, wyjąć wtyczkę z gniazdka i sprawdzić turbinę. Dostęp do turbiny można uzyskać, wykręcając śruby mocujące z podstawy i/lub podstawy pomocniczej. Można również spróbować dosięgnąć do ewentualnego zatoru przez odpływ (7) z boku pompy.



Zawsze przepłukiwać czystą wodą po każdym użyciu.

PRZECHOWYWANIE I OCHRONA PRZED ZAMARZANIEM

Jeśli w pompie zanurzeniowej i jej akcesoriach pozostanie woda, mogą one zostać uszkodzone, gdy woda zamarznie. Całkowicie opróżnić pompę zanurzeniową i jej akcesoria z wody i chronić je przed zamarzaniem.

Przechowywać to urządzenie w dobrze wentylowanym i suchym miejscu w temperaturze nie niższej niż +5°C.

Kiedy urządzenie nie jest używane, przechowywać je poza zasięgiem dzieci.

ROZWIĄZYWANIE PROBLEMÓW

Problem	Przyczyna	Rozwiązanie
Pompa nie uruchamia się	Brak zasilania sieciowego Zablokowany przełącznik pływakowy	Sprawdzić zasilanie sieciowe Umieścić przełącznik pływakowy wyżej
Pompa pracuje, ale nie pompuje wody	Zatkana turbina	Odłączyć pompę od zasilania i oczyścić albo odblokować turbinę (patrz „ZATORY”)
Pompa nie wyłącza się	Zablokowany przełącznik pływakowy	Umieścić przełącznik pływakowy niżej

Pompa nie uruchamia się lub zatrzymuje podczas pracy. Pompa wyłączona po krótkim czasie pracy	Włączył się wyłącznik termiczny chroniący przed przeciążeniem	Odłączyć od zasilania, pozostawić na 2 minuty i oczyścić turbinę (w razie potrzeby patrz „Zatory”)
	Zasilanie zostało wyłączone	Sprawdź bezpieczniki i połączenia elektryczne
	Zatkana turbina	Odłączyć pompę od zasilania i oczyścić albo odblokować turbinę (patrz „ZATORY”)
	Zbyt ciepła woda	Dopilnować, aby temperatura wody nie przekraczała maksymalnego poziomu 35°C

Następujące okoliczności powodują unieważnienie gwarancji:

- Przeprowadzono naprawy lub modyfikacje narzędzia w serwisie innym lub autoryzowany lub podjęto ich próbę;
- Normalne zużycie nie jest objęte gwarancją;
- Narzędzie było używane niezgodnie z przeznaczeniem, źle z nim się obchodzono lub było nieprawidłowo konserwowane;
- Użyto części zamiennych innych niż oryginalne.

Niniejsza gwarancja to wyłączna gwarancja producenta i nie obowiązują żadne inne wyrażone ani dorozumiane gwarancje. Nie obowiązują żadne inne wyrażone ani dorozumiane gwarancje o zakresie przekraczającym niniejszą gwarancję, co obejmuje dorozumiane gwarancje przydatności do sprzedaży i przydatności do określonego celu. W żadnym przypadku firma VONROC nie ponosi odpowiedzialności za straty przypadkowe lub wynikowe. Zadośćuczynienie sprzedawcy jest ograniczone do naprawy lub wymiany niezgodnych urządzeń lub części.

ŚRODOWISKO



Uszkodzone i/lub niepotrzebne urządzenia elektryczne lub elektroniczne podlegają zbiórce w odpowiednich punktach recyklingu.

Tylko kraje WE

Nie wyrzucać elektronarzędzi wraz z odpadami z gospodarstw domowych. Zgodnie z dyrektywą 2012/19/WE dotyczącą zużytych urządzeń elektrycznych i elektronicznych oraz jej wdrożeniem do prawodawstwa krajowego, elektronarzędzia, które już nie nadają się do użytku, podlegają oddzielnej zbiórce oraz utylizacji w sposób przyjazny dla środowiska.

GWARANCJA

Produkty VONROC są wytwarzane zgodnie z najwyższymi standardami jakości i producent udziela gwarancji na wady materiałowe i wady wykonania na okres wymagany prawem, licząc od dnia zakupu. Jeśli wystąpi usterka produktu w tym okresie spowodowana wadą materiałową i/lub wadą wykonania, proszę bezpośrednio skontaktować się ze sprzedawcą VONROC.

**Produkt i instrukcja obsługi podlegają zmianom.
Dane techniczne podlegają zmianom bez uprzedzenia.**

1. INSTRUCȚIUNI DE SIGURANȚĂ

Citiți avertizările de siguranță, avertizările de siguranță suplimentare și instrucțiunile. Nerespectarea avertizărilor de siguranță poate cauza producerea de electrocutări, incendii și/sau răniri grave. Păstrați avertizările de siguranță și instrucțiunile pentru referințe viitoare.

În manualul de utilizare sau pe produs se utilizează următoarele simboluri:



Citiți manualul de utilizare.



Indică riscul de rănire personală, pierderea vieții sau deteriorarea sculei în cazul în care nu se respectă instrucțiunile din acest manual.



Indica riscul electrocutării.



Protejați aparatul împotriva înghețului.



Adâncime max.



Nu scoateți din uz produsul în containere neadecvate.



Produsul este în conformitate cu standardele de siguranță aplicabile din directivele europene.

NOTE DE SIGURANȚĂ

ACEST APARAT POATE FI UTILIZAT DE COPIII CU VÂRSTA DE PESTE 8 ANI ȘI DE CĂTRE PERSOANE CU CAPACITĂȚI FIZICE, SENZORIALE SAU MENTALE REDUSE SAU DE CĂTRE PERSOANE LIPSITE DE EXPERIENȚĂ ȘI CUNOȘTINȚE DACĂ ACESTEA AU FOST SUPRAVEGHEATE ȘI INSTRUITE CU PRIVIRE LA UTILIZAREA APARATULUI ÎN CONDIȚII DE SIGURANȚĂ ȘI ÎNȚELEGERISCURILE PE CARE LE IMPLICĂ. COPII NU AU VOIE SĂ SE JOACE CU APARATUL. CURĂȚAREA ȘI OPERAȚIUNILE DE ÎNTREȚINERE NU TREBUIE EFECTUATE DE COPII FĂRĂ SUPRAVEGHERE. ÎN CAZUL ÎN CARE CABLUL DE ALIMENTARE ESTE DETERIORAT, ACESTA TREBUIE ÎNLOCUIT DE CĂTRE PRODUCĂTOR, DE CĂTRE AGENTUL DE SERVICE SAU DE CĂTRE PERSOANE CALIFICATE ÎN MOD SIMILAR, PENTRU A EVITA PERICOLELE. ÎNAINTE DE CURĂȚAREA SAU ÎNTREȚINEREA ACESTUI APARAT, ȘTECHERUL TREBUIE SCOS DIN PRIZĂ.

Vă rugăm să citiți cu atenție și în întregime aceste instrucțiuni înainte de a utiliza acest aparat și păstrați-le pentru consultarea ulterioară. Este foarte important să înțelegeți cum să utilizați acest aparat în condiții de siguranță, așa că vă rog să vă familiarizați cu cerințele prezentate în aceste instrucțiuni.

- Dacă aveți îndoieli cu privire la utilizarea acestui aparat, vă recomandăm să utilizați serviciile unei persoane cu calificarea corespunzătoare.
- Conexiunea electrică trebuie protejată de un dispozitiv de curent rezidual (RCD) la priza de alimentare cu un curent nominal de declanșare de 30mA (max).
- Țineți copiii și animalele de companie departe de zona de lucru și nu permiteți niciodată copiilor să folosească acest aparat sau să atingă cablul prelungitor în orice moment. Atunci când nu este folosit, aparatul trebuie să fie depozitat într-un spațiu ferit de accesul copiilor.
- Nu lăsați niciodată aparatul nesupravegheat când îl folosiți.
- Nu trageți niciodată aparatul de cablul de alimentare. Transportați-l folosind mânerul de transport.
- Nu lăsați cablul de alimentare să se fie dispus peste obiecte ascuțite care ar putea străpunge izolația exterioră. Efectuați o verificare vizuală a cablului de alimentare înainte de utilizare și, dacă este deteriorat, înlocuiți-l cu un centru de service specializat. Nu utilizați aparatul în cazul în care cablurile sunt deteriorate sau uzate.
- Păstrați cablul de alimentare ferit de căldură, îngheț, ulei, solvenți sau orice obiecte sau suprafețe cu margini ascuțite.
- Conexiunile electrice, de ex. Cablul prelungitor, trebuie protejate în permanență față de umezeală.
- Verificați dacă tensiunea nominală a aparatului dvs. corespunde cu tensiunea nominală de la rețeaua de alimentare. Tensiunea de alimentare trebuie să fie de 230VAC.
- Niciodată nu lăsați aparatul funcționeze uscat - în afara apei. Dacă aparatul se supraîncălzește, întrerupătorul termic îl va opri. Dacă se întâmplă acest lucru, așteptați 5 minute înainte de a utiliza aparatul din nou.
- Opriti întotdeauna aparatul și scoateți ștecherul din priză înainte de a-l introduce sau scoate din apă. Reporniți alimentarea doar cu mâinile uscate.
- Nu folosiți niciodată acest aparat într-un lac sau piscină în timp ce în apă există persoane!
- Nu utilizați pompa pentru apa de băut.

- Substanțele corozive, inflamabile sau explozive, unsoarea, uleiul, apa sărată și canalizarea nu trebuie folosite cu această pompă.
- pH-ul apei trebuie să fie între 6,5 și 8,5.
- Temperatura lichidului nu trebuie să depășească 35°C.

Securitate electrică

Folosind mașini electrice, întotdeauna respectați regulamentele de protecție valabile în țara dvs. pentru a reduce riscul incendiului, electrocutării și accidentelor personale. Citiți următoarele instrucțiuni de securitate și de asemenea instrucțiunile de securitate atașate.



Întotdeauna controlați dacă voltajul rețelei de alimentare corespunde cu voltajul indicat pe tablăuța de valori.

Branșarea la rețeaua de alimentare electrică

Verificați dacă sursa de alimentare și mufa utilizate sunt în conformitate cu mașina dvs. Verificați plăcuța tehnică a mașinii. Orice schimbări trebuie efectuate întotdeauna de un electrician calificat.



Atenție! Acest aparat trebuie să fie împământat. Dacă nu este împământat corespunzător, acest aparat poate provoca un șoc electric. Asigurați-vă că priza de alimentare este împământată. Dacă există vreo îndoială, verificați cu un electrician calificat.



Atenție! Evitați contactul cu terminalele de la ștecher atunci când introduceți (scoateți) ștecherul la (din) priza de alimentare. Contactul poate provoca un șoc electric sever.

Înlocuirea cablurilor sau fișelor

Aruncați cablurile sau fișele imediat după ce le ați înlocuit cu cele noi. Este periculos să puneți ștecher unui cablu necunoscut în priza de perete.

Utilizarea cablurilor de prelungire

Utilizați numai cablu aprobat și potrivit pentru puterea absorbită a mașinii. Conductorul trebuie să fie minim de 1,5 mm². Dacă folosiți cablul înfășurat, întotdeauna îl desfășurați complet.

2. INFORMAȚII CU PRIVIRE LA MAȘINĂ

Domeniul de utilizare

Pompa este destinată utilizării neprofesionale pentru drenarea caselor inundate și a zonelor de grădină, dar și pentru transferul apei către și din rezervoare și pomparea lor, extragerea apei din fântâni și puțuri și pentru drenarea bărcilor și iahturilor. Substanțele explozive, corozive, inflamabile, canalizarea, apă sărată, unsoarea și uleiul nu trebuie folosite cu pompa.

Dimensiunile particulelor solidelor din apa murdară nu trebuie să depășească dimensiunea maximă a particulelor specificată în datele tehnice.

Această pompă nu este proiectată pentru funcționare continuă (de exemplu, ca pompă de circulație pentru piscină sau iaz) sau pentru instalații staționare (de ex. dispozitiv de ridicare, pompă de fântână).

SPECIFICAȚII TEHNICE

Nr. model	SP501AC	SP502AC
Aplicație	Apă curată	Apă curată sau murdară
Comutator cu plutitor	Da	
Tensiune	230 V c.a. / 50Hz	
Putere de intrare	300W	400W
Rată max. de debit	6500l/h	8000l/h
Presiune max.	0.6 bar	0.55 bar
Max. înălțimea de pompare	6m	5.5m
Adâncime max.	7m	
Dimensiunea max. a particulei	5mm	25mm
Înălțimea min. reziduală a apei (funcționare manuală) *	5mm	20mm
Înălțimea de pornire (funcționare automată) **	50cm	
Înălțimea de oprire (funcționare automată)	5cm	
Temperatura max. a apei	35°C	
Protecție	IPX8	

Protecție termică încorporată a motorului	Da	
Conexiune furtun de ieșire	25mm, 32mm, G1"	
Diametrul interior recomandat al furtunului	32mm	
Ieșire de apă	G1 ¼"	
Lungime cablu	10m	
Greutate	3.22 kg	3.28 kg

* Înălțimea reziduală a apei este atinsă numai în operare manuală.

** Înălțimea de comutare poate varia în funcție de poziția comutatorului cu plutitor.

DESCRIERE

Numerele din text se referă la diagramele de la paginile 2-3.

1. Mâner de transport
2. Blocate (comutator cu flotor)
3. Comutator cu flotor pornit/oprit
4. Talpă
5. Conector furtun
6. Racord cot de ieșire apă
7. Ieșire de apă
8. Orificiu de aerisire

3. ASAMBLAREA



Cu cât diametrul furtunului și al conectorului furtunului este mai mare, cu atât debitul este mai mare.



Furtun de 32 mm (diametru interior) trebuie utilizat pentru a atinge debitul maxim.



Cu cât este mai mică înălțimea de livrare, cu atât este mai mare debitul.

Montarea ieșirii furtunului (Fig. A, B)

1. Decideți ce diametru al furtunului veți utiliza. Consultați Figura B.
2. Tăiați treptele mai mici ale conectorului furtunului (5) care nu sunt necesare, folosind un cuțit sau ferăstrău adecvat (nu sunt incluse). Aceasta elimină restricțiile de debit inutile și asigură capacitatea maximă a pompei și a debitului de apă.
3. Înșurubați conectorul cotului de ieșire (6) în orificiul de ieșire a apei (7).

4. Înșurubați conectorul furtunului (5) la cotul de ieșire (6).
5. Montați furtunul pe conector (5) și fixați-l cu o clemă pentru furtun din oțel inoxidabil (nu este inclusă).
6. Atașați un cablu adecvat (nu este inclus) la mânerul de transport (1), pentru a coborî pompa în apă adâncă și pentru a ridica pompa înapoi din apă. Nu coborâți și nu ridicați niciodată pompa de cablul său.

4. OPERAREA



Nu folosiți niciodată pompa într-un lac sau piscină în timp ce în apă există persoane!



Nu trageți niciodată pompa de cablul de alimentare. Pompa trebuie transportată și plasată în apă folosind mânerul de transport (1) sau, dacă apa este adâncă, trebuie coborâtă pe o frânghie legată de mânerul de transport (1).



Oprțiți întotdeauna pompa și scoateți ștecherul din priză înainte de a o introduce sau a o scoate din apă. Reporniți alimentarea doar cu mâinile uscate.



Niciodată nu lăsați pompa funcționeze uscat - în afara apei. Dacă aparatul se supraîncălzește, întrerupătorul termic îl va opri. Dacă se întâmplă acest lucru, așteptați 5 minute înainte de a utiliza pompa din nou.



Supapa de purjare automată a aerului: Supapa de purjare automată a aerului elimină orice pungă de aer din pompă. În timpul acestui proces, aerul iese prin orificiul de aerisire (8) și bulele de aer apar sub apă. Acesta nu este un defect al pompei dvs., ci servește la eliminarea aerului din pompă. Poate dura câteva secunde până când aerul să iasă, când pompa este scufundată pentru prima dată.

Operare automată



Lungimea cablului dintre comutatorul cu plutitor (3) și blocarea prin comutator cu plutitor (2) trebuie să fie întotdeauna de cel puțin 10 cm.

1. Pentru a regla înălțimea de cuplare și decupare, atașați cablul comutatorului cu plutitor (3) la blocarea cu plutitor (2) la lungimea dorită.
2. Coborâți pompa în apă. Ar fi indicat să așezați pompa pe o platformă solidă în partea de jos pentru a o menține în poziție verticală, dacă este practic. Asigurați-vă că nu există obstacole în jurul orificiilor de admisie din jurul bazei pompei. Deschiderile de admisie trebuie să fie libere de noroi sau nămol în partea de jos a bazinului.
3. Conectați la rețeaua de alimentare.
4. Când pompa este coborâtă în apă și alimentarea este pornită, aceasta va începe să funcționeze imediat ce comutatorul cu plutitor (3) atinge înălțimea minimă de activare (aproximativ 50cm) în apă.
5. Pompa se oprește imediat ce comutatorul cu plutitor (3) a atins înălțimea de oprire (aprox. 5cm) din cauza nivelului de apă care cade.
6. Asigurați-vă că comutatorul cu plutitor (3) nu este obstrucționat în niciun fel.
7. După utilizare, opriți pompa și scoateți ștecherul de la rețea.
8. Scoateți pompa din apă.

Manual de utilizare

În cazul în care este preferată operarea manuală, motorul poate fi activat ridicând comutatorul cu plutitor (3) cu mâna (PORNIT) sau coborându-l cu mâna (OPRIT).

Finalizați operațiunea

După utilizare, lăsați pompa să funcționeze cu apă curată timp de 2-3 minute pentru a îndepărta reziduurile și particulele care s-ar fi putut acumula în pompă și furtunul de evacuare.

5. ÎNTREȚINERE



Înainte de curățare și întreținere, opriți alimentarea electrică a mașinii și deconectați fișa cablului de alimentare de la priză de rețea.



În timpul întreținerii sau curățării nu lăsați niciodată aparatul de pe turbină (rotor).

Nu există componente ce pot fi reparate de către utilizator în interiorul aparatului. Dacă aparatul pare blocat, opriți alimentarea de la rețea, scoateți ștecherul din priză și verificați dacă aparatul are

blocaje (consultați „Blocajele”).

BLOCAJELE

Dacă bănuieți că pompa s-a blocat, opriți alimentarea de la priză, scoateți ștecherul și examinați turbina. Turbina poate fi accesată prin îndepărtarea șuruburilor de fixare din bază și/sau sub bază. Alternativ, încercați să atingeți blocajul suspectat prin orificiul de ieșire (7) din partea laterală a pompei.



Spălați întotdeauna cu apă curată după fiecare utilizare.

DEPOZITARE ȘI PROTECȚIA FAȚĂ DE ÎNGHEȚ

Pompa submersibilă și accesoriile care nu sunt complet drenate pot fi distruse de îngheț. Drenați complet pompa submersibilă și accesoriile și protejați-le față de îngheț.

Păstrați acest aparat în spații uscate bine ventilate, cu o temperatură care nu va scădea sub +5°C. Atunci când nu este folosit, aparatul trebuie să fie depozitat într-un spațiu ferit de accesul copiilor.

GHID PENTRU REMEDIEREA PROBLEMELOR

Problemă	Cauză	Remediere
Pompa nu pornește	Lipsește alimentarea de la rețea Plutitor restricționat	Verificați alimentarea de la rețea Aduceți plutitorul în poziție mai înaltă
Pompa este activă dar nu se livrează apă	Turbină înfundată	Deconectați pompa de la sursa de alimentare și curățați sau deblocați turbina (consultați „BLOCAJELE”)
Pompa nu se va opri	Plutitor restricționat	Aduceți plutitorul în poziție mai joasă

Pompa nu va porni sau se va opri în timpul utilizării. Pompa oprită după scurte perioade de funcționare	Comutatorul de siguranță la suprasarcină termică a fost activat	Deconectați-vă de la sursa de alimentare, lăsați 2 minute și curățați turbina (dacă este necesar - consultați „Blocajele”)
	Alimentarea s-a declanșat	Verificați siguranțele și conexiunile electrice
	Turbina înfundată	Deconectați pompa de la sursa de alimentare și curățați sau deblocați turbina (consultați „BLOCAJELE”)
	Apa este prea fierbinte	Asigurați-vă că temperatura apei nu a depășit maximum 35°C

Următoarele circumstanțe sunt excluse de la această garanție:

- Reparațiile sau modificările care realizate sau care s-au încercat a fi efectuate de centre de service neautorizate.
- Uzura în condiții normale.
- Unealta care a fost abuzată, utilizată într-un mod neglijent sau întreținută în mod inadecvat.
- Folosirea unor piese de schimb neoriginale.

Aceasta acoperă garanția companiei, explicită sau implicită. Nu există alte garanții explicite sau implicite care să se extindă dincolo de cele indicate aici, incluzând garanțiile, vandabilitatea sau adecvarea pentru un anumit scop. În nicio situație, VONROC nu este responsabil pentru daunele incidentale sau consecvențiale. Reparațiile efectuate de reprezentant trebuie să fie limitate la reparațiile sau la înlocuirea unităților sau a pieselor neconforme.

Produsul și manualul de utilizare pot suferi modificări. Specificațiile se pot modifica fără notificare prealabilă.

MEDIU



Aparatele electrice sau electronice deteriorate și/sau defecte trebuie colectate în locurile de reciclare corespunzătoare.

Numai pentru țările din CE

Nu aruncați echipamentele acționate electric împreună cu gunoiul menajer. Conform Indicației europene 2012/19/EU pentru echipamente electrice și electronice uzate și a implementării sale la nivel național, echipamentele acționate electric scoase din uz trebuie colectate separat și evacuate într-o manieră ecologică.

GARANȚIE

Produsele VONROC sunt realizate la cele mai înalte standarde de calitate și sunt garantate în privința materialelor și a manoperei pentru întreaga perioadă de utilizare în garanție, începând cu data achiziției. În cazul în care produsul se defectează în timpul perioadei de utilizare, contactați direct VONROC.



DECLARATION OF CONFORMITY
SP501AC / SP502AC - SUBMERSIBLE WATER PUMP

- (EN) We declare under our sole responsibility that this product is in conformity with directive 2011/65/EU of the European parliament and of the council of 8 June on the restriction of the use of certain hazardous substances in electrical and electronic equipment is in conformity and accordance with the following standards and regulations:
- (DE) Der Hersteller erklärt eigenverantwortlich, dass dieses Produkt der Direktive 2011/65/EU des Europäischen Parlaments und des Rats vom 8. Juni 2011 über die Einschränkung der Anwendung von bestimmten gefährlichen Stoffen in elektrischen und elektronischen Geräten entspricht. den folgenden Standards und Vorschriften entspricht:
- (NL) Wij verklaren onder onze volledige verantwoordelijkheid dat dit product voldoet aan de conform Richtlijn 2011/65/EU van het Europees Parlement en de Raad van 8 juni 2011 betreffende beperking van het gebruik van bepaalde gevaarlijke stoffen in elektrische en elektronische apparatuur en in overeenstemming is met de volgende standaarden en reguleringen:
- (FR) Nous déclarons sous notre seule responsabilité que ce produit est conforme aux standards et directives suivants: est conforme à la Directive 2011/65/EU du Parlement Européen et du Conseil du 8 juin 2011 concernant la limitation d'usage de certaines substances dangereuses dans l'équipement électrique et électronique.
- (ES) Declaramos bajo nuestra exclusiva responsabilidad que este producto cumple con las siguientes normas y estándares de funcionamiento: se encuentra conforme con la Directiva 2011/65/UE del Parlamento Europeo y del Consejo de 8 de junio de 2011 sobre la restricción del uso de determinadas sustancias peligrosas en los equipos eléctricos y electrónicos.
- (IT) Dichiariamo, sotto la nostra responsabilità, che questo prodotto è conforme alle normative e ai regolamenti seguenti: è conforme alla Direttiva 2011/65/UE del Parlamento Europeo e del Consiglio dell'8 giugno 2011 sulla limitazione dell'uso di determinate sostanze pericolose nelle apparecchiature elettriche ed elettroniche.
- (SV) Vi garanterar på eget ansvar att denna produkt uppfyller och följer följande standarder och bestämmelser: uppfyller direktiv 2011/65/EU från Europeiska parlamentet och EG-rådet från den 8 juni 2011 om begränsningen av användning av farliga substanser i elektrisk och elektronisk utrustning.
- (DA) Vi erklærer under eget ansvar, at dette produkt er i overensstemmelse med følgende standarder og bestemmelser: er i overensstemmelse med direktiv 2011/65/EU fra Europa-Parlamentet og Rådet af 8. juni 2011 om begrænsning af anvendelsen af visse farlige stoffer i elektrisk og elektronisk udstyr.
- (PL) Deklarujemy na własną odpowiedzialność, że ten produkt spełnia wymogi zawarte w następujących normach i przepisach: jest zgodny z Dyrektywą 2011/65/UE Parlamentu Europejskiego i Rady z dnia 8 czerwca 2011 r. w sprawie ograniczenia stosowania niektórych niebezpiecznych substancji w sprzęcie elektrycznym i elektronicznym.
- (RO) Declaram prin aceasta cu răspunderea deplină că produsul acesta este în conformitate cu următoarele standarde sau directive: este în conformitate cu Directiva 2011/65/UE a Parlamentului European și a Consiliului din 8 iunie 2011 cu privire la interzicerea utilizării anumitor substanțe periculoase la echipamentele electrice și electronice.

EN 60335-1, EN 60335-2-41, EN 62233, EN 55014-1, EN55014-2, EN 61000-3-2, EN61000-3-3, 2014/35/EU, 2014/30/EU, 2011/65/EU, (EU)2015/863, 2012/19/EU

Zwolle, 01-11-2020

H.G.F Rosberg
CEO

VONROC • Lingenstraat 6 • 8028 PM Zwolle • The Netherlands



VONROC®
BUILD YOUR FUTURE

©2020 VONROC
WWW.VONROC.COM

2011-17