

little tikes®

444C
444D

62444C103 - 3/13

www.littletikes.com
www.littletikes.co.uk
www.littletikes.fr
www.littletikes.es
www.littletikes.nl
www.littletikes.pl

ENGLISH

ENDLESS ADVENTURES™ TIKES TOWN™ PLAYHOUSE

Ages: 1 1/2 - 6 years
Please save sales receipt for proof of purchase.

⚠ WARNING:
ADULT ASSEMBLY REQUIRED.

Two adults are recommended for assembly of roof.

- Keep these instructions for future reference.
- Prior to assembly, this package contains small parts: hardware which is a choking hazard and may contain sharp edges and sharp points. Keep away from children until assembled.
- Falls onto hard surfaces could result in head or other serious injuries. Never place on concrete, asphalt, wood, packed earth or other hard surfaces. Carpet over hard floors may not prevent injury. Always use protective surfacing on the ground under and surrounding the playground equipment according to the enclosed "Consumer Information Sheet for Playground Surfacing Materials." Maximum fall height protection up to 5 feet (1.5m) required.
- Place this product on level ground, at least 6' (2 m) away from any object. Objects to be avoided include, but are not limited to, fences, buildings, garages, houses, overhead branches, laundry lines or electrical wires.
- Instruct children on proper use of this product, only after properly placed, and not in a manner other than intended.
- Adult supervision required. Do not leave children unattended.
- This product is intended for use by children ages over 1 1/2 - 6 years.
- Limit 3 children.
- Only for domestic use. Outdoor.

MAINTENANCE

- Check all hardware twice monthly during the usage period and tighten as required. It is particularly important that this procedure be followed at the beginning of each season. If these checks are not carried out, the toy could overturn or otherwise become a hazard. Replace if they are loose, cracked, or missing.
- Take this product indoors or do not use outdoors when temperatures fall below 0°F (-18°C).

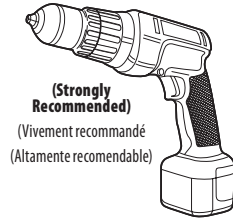
DISPOSAL

- Disassemble and dispose of equipment in such a manner that no hazardous conditions, such as but not limited to, small parts and sharp edges, exist at the time equipment is discarded.

CONSUMER SERVICE
TOLL-FREE NUMBER:

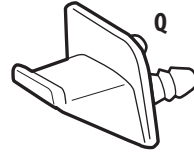
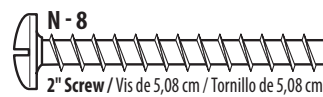
Adult assembly required / Le montage devra être effectué par un adulte / Debe ser armado por un adulto

Tools required (not included)
Outils Requis (non compris)
Herramientas Requeridas (no incluidas)

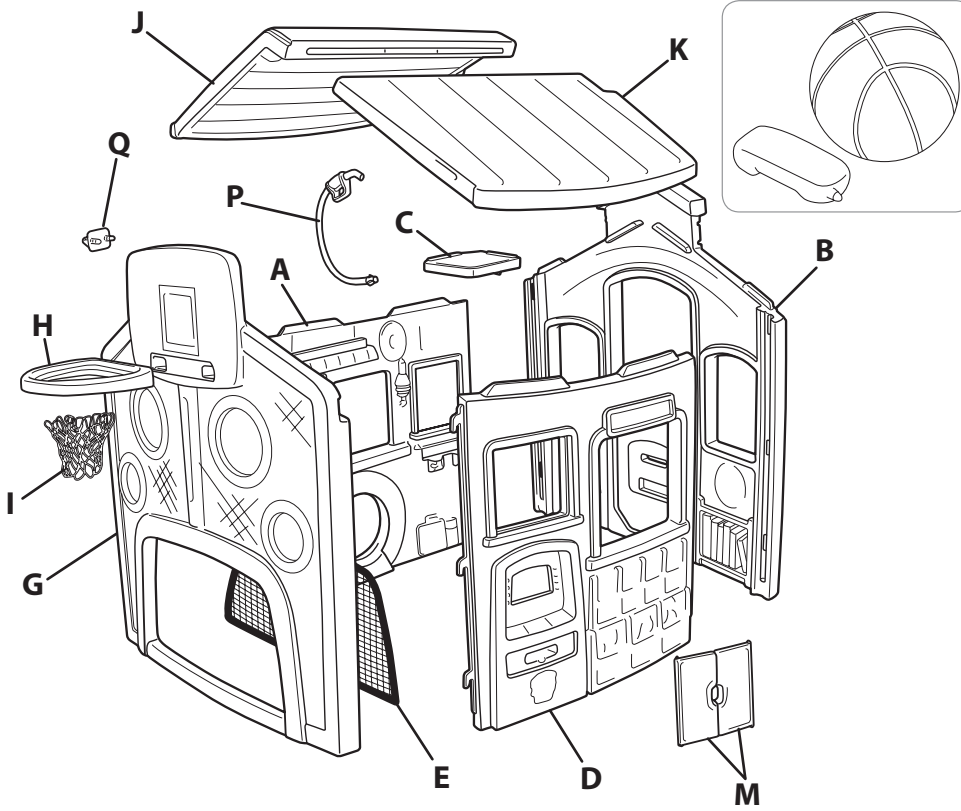


(Strongly Recommended)
(Vivement recommandé)
(Altamente recomendable)

Hardware / Quincaillerie / Piezas de montaje



①
Decal
D'autocollant
Calcomanía



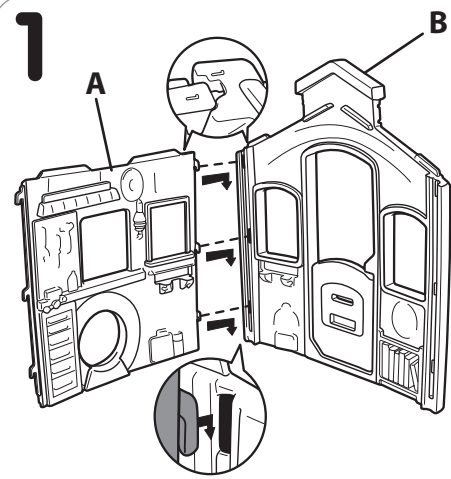
United States:
www.littletikes.com
1-800-321-0183 Monday - Friday
The Little Tikes Company
2180 Barlow Road
Hudson, OH 44236
E-mail: littletikes.cares@littletikescare.com

United Kingdom:
www.littletikes.co.uk
Little Tikes
MGA Entertainment (UK) Ltd
50 Presley Way

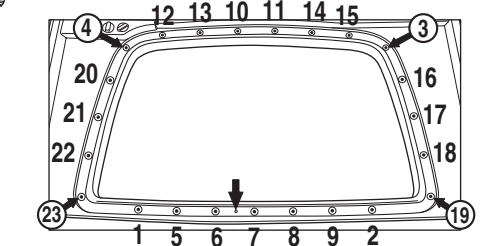
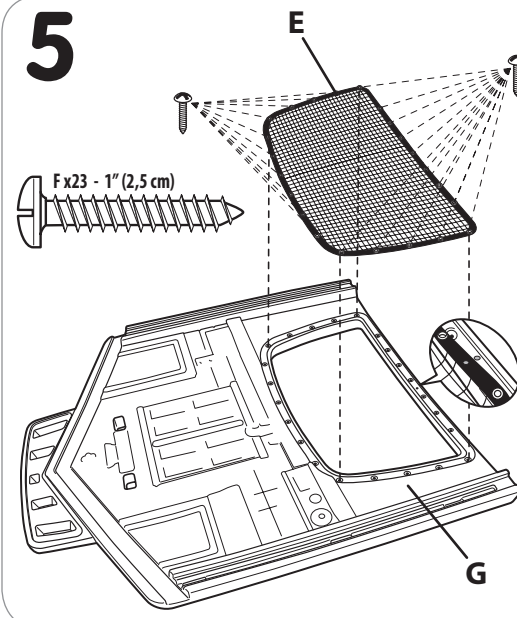
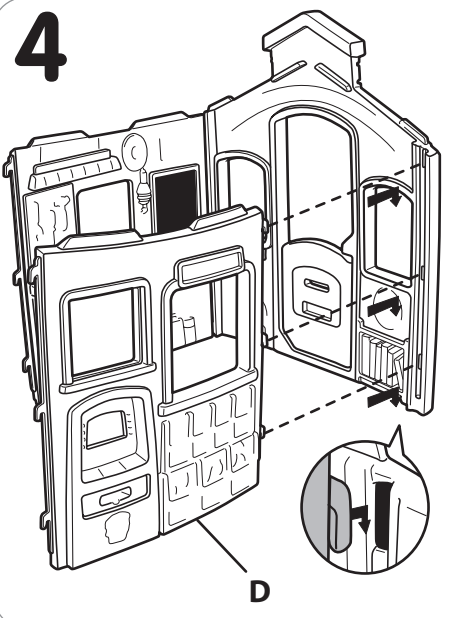
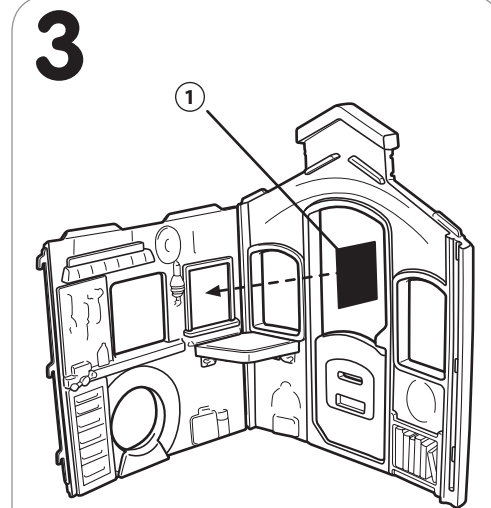
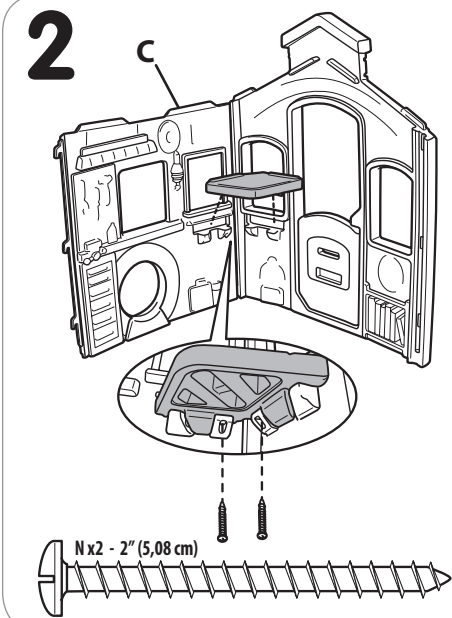
Crownhill
Milton Keynes MK8 0ES
Bucks, UK
E-mail: Info.LittleTikes@mga.com

Printed in U.S.A. D.R. ©2013 The Little Tikes Company
© The Little Tikes Company, an MGA Entertainment company. LITTLETIKES® is a trademark of Little Tikes in the U.S. and other countries. All logos, names, characters, likenesses, images, slogans, and packaging appearance are the property of Little Tikes. Please keep this address and packaging for reference since it contains important information. Contents, including specifications and colors, may vary from photos depicted on package. Instructions included. Please remove all packaging including tags, ties & tacking stitches before giving this product to a child.

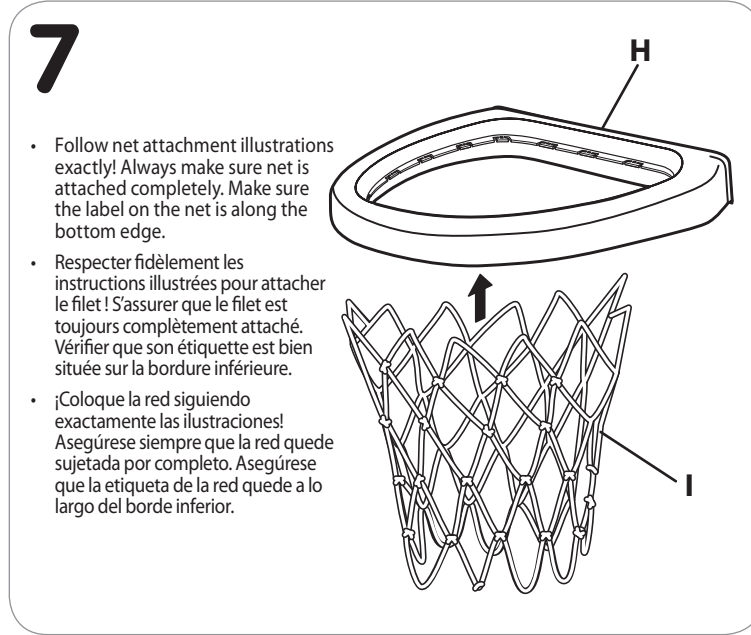
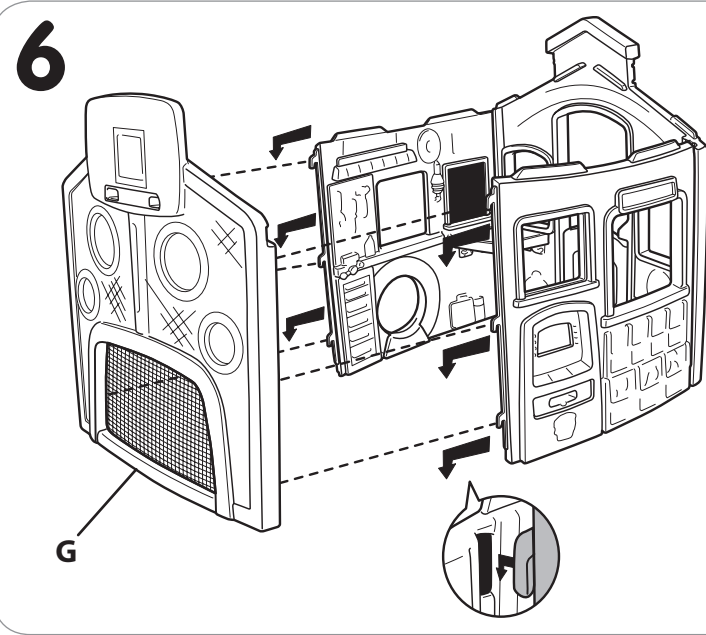
LIMITED WARRANTY
The Little Tikes Company makes fun, high quality toys. We warrant to the original purchaser that this product is free of defects in materials or workmanship for one year * from the date of purchase (dated sales receipt is required for proof of purchase). At the sole election of The Little Tikes Company, the only



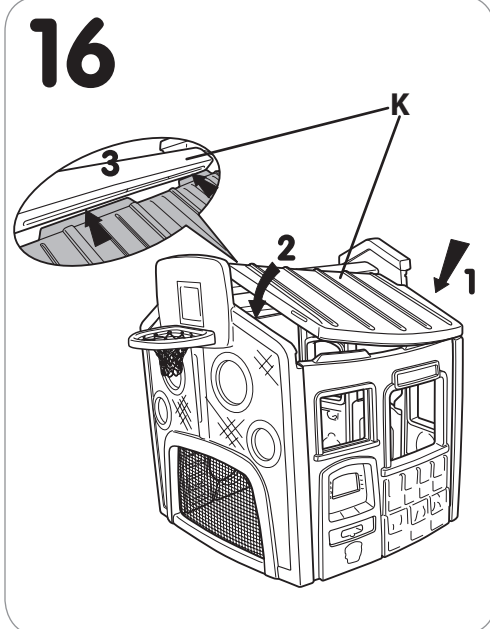
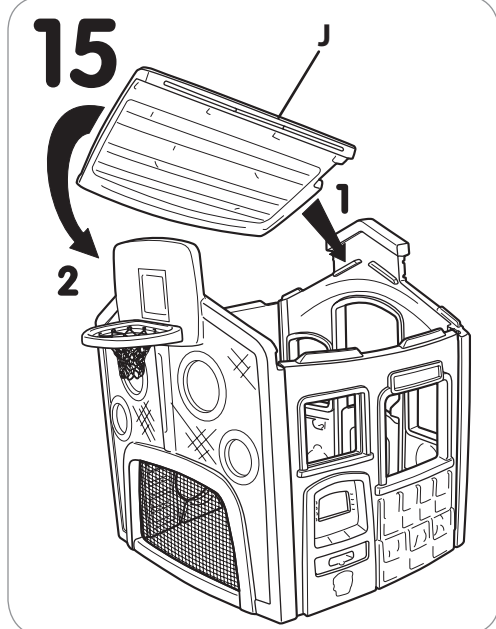
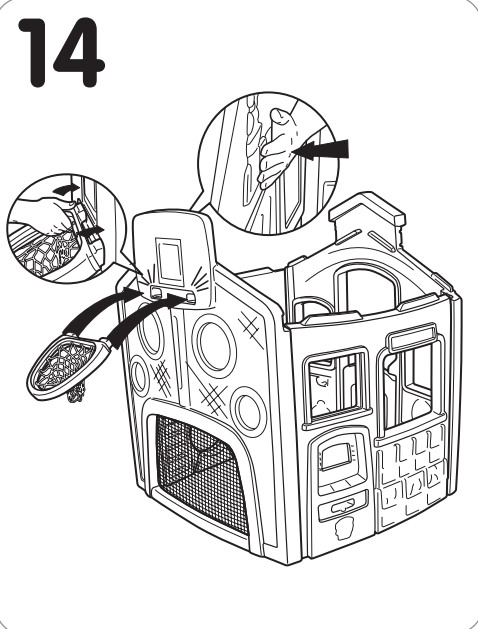
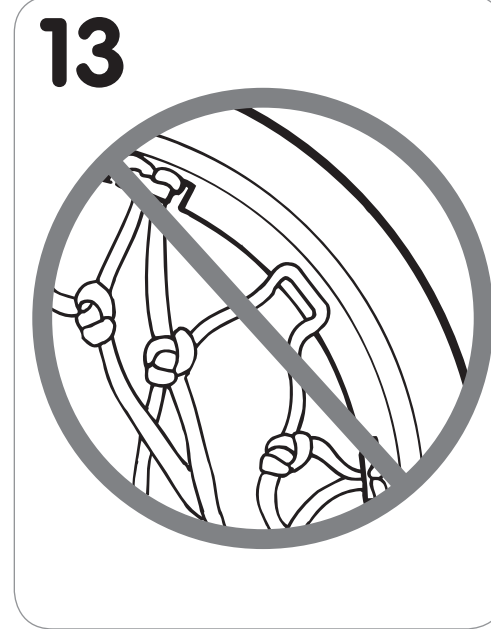
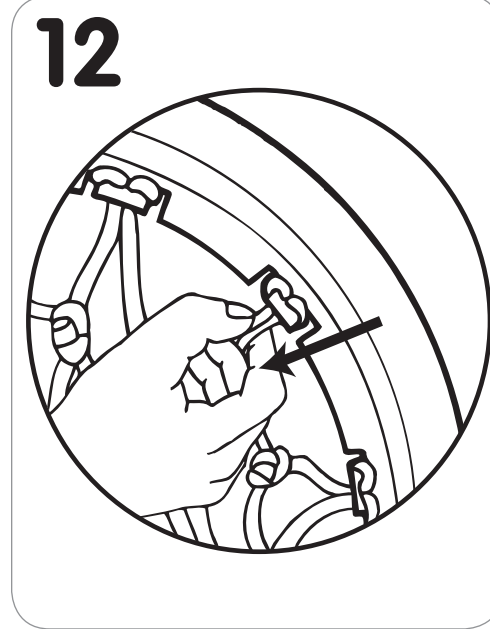
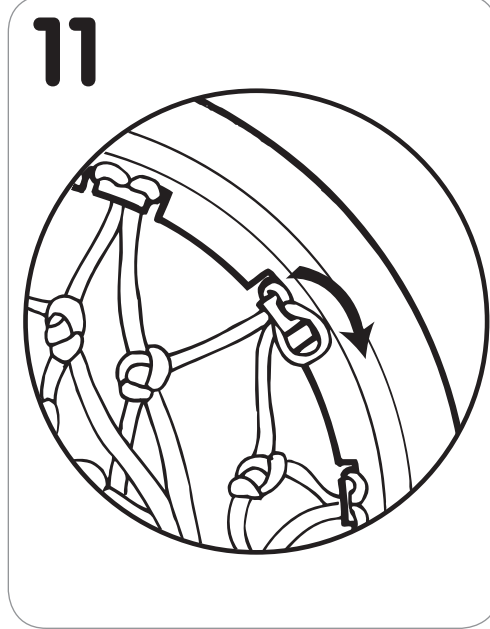
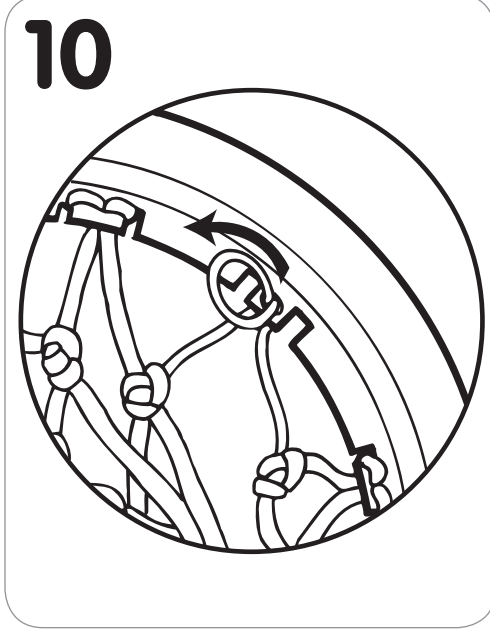
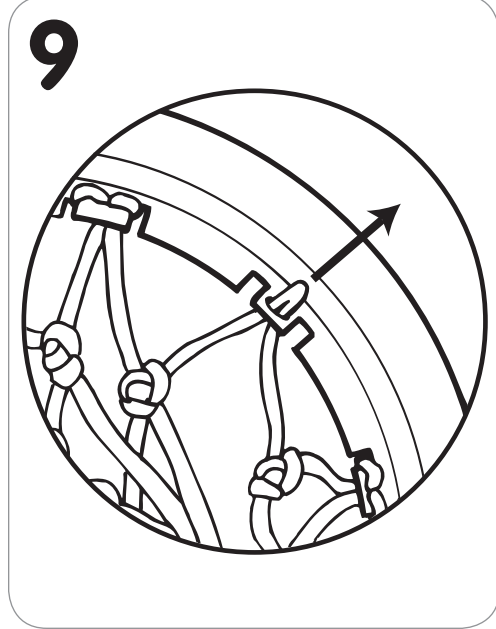
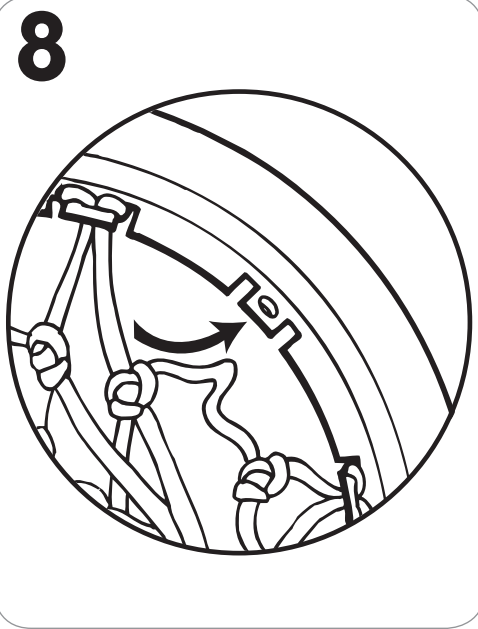
- Align numbers when connecting walls A and B.
- Aligner les chiffres en joignant les murs A et B.
- Alinee los números cuando una la pared A con la B.



- Match up red mark on bottom of net with bump on bottom of wall. Attach screws in the order shown.
- Le repère rouge en bas du filet doit correspondre à la partie bosselée en bas du mur. Mettre les vis dans l'ordre indiqué.
- Haga coincidir la marca roja en el fondo de la red con la prominencia en la parte inferior de la pared. Fije los tornillos en el orden que se muestra.



- Follow net attachment illustrations exactly! Always make sure net is attached completely. Make sure the label on the net is along the bottom edge.
- Respecter fidèlement les instructions illustrées pour attacher le filet! S'assurer que le filet est toujours complètement attaché. Vérifier que son étiquette est bien située sur la bordure inférieure.
- ¡Coloque la red siguiendo exactamente las ilustraciones! Asegúrese siempre que la red quede sujeta por completo. Asegúrese que la etiqueta de la red quede a lo largo del borde inferior.



17

- One person should hold down and pull together roof sections tightly while the other attaches the screws inside.
- Une personne doit maintenir fermement les sections du toit assemblées vers le bas pendant que l'autre personne met les vis à l'intérieur.
- Una persona debe sostener y mantener juntas las secciones del techo mientras que la otra ajusta los tornillos adentro.

N x 4 - 2" (5,08 cm)

18

O x 2 - 2 1/2" (6,98 cm)

19

N x 2 - 2" (5,08 cm)

O x 10 - 2 1/2" (6,98 cm)

20

N x 2 - 2" (5,08 cm)

O x 10 - 2 1/2" (6,98 cm)

21

22

23

10 OPEN

11

12

13 MARKET

14

15

16A tikes town FIRE HOUSE

OR

16B tikes town SCHOOL HOUSE

