



EasyAquatak 100



Robert Bosch Power Tools GmbH
70538 Stuttgart
GERMANY

www.bosch-pt.com

F 016 L81 746 (2021.01) 0 / 42



F 016 L81 746

en Original instructions
ar دليل التشغيل الأصلي
fa دفترچه راهنمای اصلی



English	Page	3
عربي	الصفحة	12
فارسی	صفحه	20

CE

English

Safety Notes

Explanation of symbols



General hazard safety alert.



Never direct the water jet at people, animals, the machine or electric components.

Warning: High pressure jets can be dangerous if subject to misuse.



According to the applicable regulations, the appliance must never be used on the drinking water network without a system separator. Use a separator as per IEC 61770 Type BA.

Water flowing through a system separator is considered not drinkable.

Safety Notes for pressure washer



Read all safety warnings and all instructions. Failure to follow the safety warnings and instructions may result in electric shock, fire and/or serious injury.

The warning and information signs attached to the unit provide important information for safe operation.

Apart from the information in the operating instructions comply with the general safety regulations and regulations for the prevention of accidents.

Connecting to the mains

- ▶ The voltage of the power source must correspond with the data on the type plate of the product.
- ▶ We recommend that this product is only connected into a socket which is protected by a circuit-breaker that would be actuated by a 30 mA residual current.
- ▶ The circuit breaker supplying mains power to the high-pressure washer should have no less than a C16 rating. If in doubt consult a qualified electrician for further advice. Do not attempt to modify your electrical system yourself.
- ▶ Remove the plug from socket whenever the machine is left unattended for any period.
- ▶ The electric supply installation should comply with IEC 60364-1.
- ▶ If the supply cord is damaged, it must be replaced by the manufacturer, its service agent or similarly qualified persons in order to avoid a hazard.
- ▶ If the plug is damaged, pay attention to the following:
- ▶ Plugs and sockets situated near the work site or outdoors should be to class IP 55 of BS 5490 to provide adequate protection against ingress of water, etc. and cable entries require effective sealing. Rubber shrouds should be provided over cable glands. Drip-proof (class IP X2 of BS 5490) plugs and sockets to BS

4343 are suitable for use indoors where the plug is away from the water spray area where the appliance is in use.

- ▶ Never touch the mains plug with wet hands.
- ▶ Do not pull plug while operating the device.
- ▶ Do not run over, crush or pull the power supply cord or extension cord, otherwise it may be damaged. Protect the cable from heat, oil and sharp edges.
- ▶ Do not use the unit, if the power supply cord or important parts, e. g. high-pressure hose, power gun or safety devices are damaged.
- ▶ Warning: Inadequate extension cables can be dangerous.
- ▶ If an extension cord is used, the plug and socket must be of watertight construction. The extension cord must have a cross section in accordance with the operating instructions and be protected against splashed water. The connection must not be in water.
- ▶ When replacing plugs on the power supply cable or extension lead the spray water guard and mechanical stability must remain intact.

Water connection

- ▶ Comply with the regulations of your water supply company.
- ▶ All connecting hoses must have properly sealed joints.

- ▶ Make sure that the supply hose is at least 12.7 mm (1/2") in diameter and is reinforced.
- ▶ The appliance should never be used on the drinking water supply without a back flow valve. Water which has passed the back flow valve is regarded as undrinkable.
- ▶ The high-pressure hose must not be damaged (danger of bursting). A damaged high-pressure hose must be replaced immediately. Only use hoses and connections recommended by the manufacturer.
- ▶ High-pressure hoses, fittings and couplings are important for the safety of the appliance. Use only hoses, fittings and couplings recommended by the manufacturer.
- ▶ Only clean or filtered water should be used for intake.

Application

- ▶ Before use, check that the machine and operating equipment are in perfect condition and are safe to operate. Do not use if it is not in perfect condition.
- ▶ Do not direct the jet against yourself or others in order to clean clothes or footwear.
- ▶ Do not use solvent-containing liquids, undiluted acids, acetone or solvents, including petrol, paint thinners, heating oil. The sprayed vapours are highly flammable, explosive and toxic.

- ▶ The appropriate safety regulations must be observed when using the unit in dangerous areas (e. g. petrol stations). It is forbidden to operate the unit in potentially explosive locations.
- ▶ The unit must be placed on a solid base.
- ▶ Take care if using the machine in a confined space ensuring that there is adequate ventilation. Ensure that all vehicles are switched off at all times whilst cleaning.
- ▶ Operation of this machine requires both hands to be used at all times. Do not operate from a ladder. Take care when using the machine on balconies or other raised areas ensuring that you can see any edges at all times.
- ▶ Only use detergents recommended by the manufacturer. Comply with the application, disposal and warning instructions of the detergent manufacturers.
- ▶ The use of other cleaning agents or chemicals may adversely affect the safety of the machine.
- ▶ All current-conducting components in the work area must be protected against splashed water.
- ▶ The gun trigger must not be jammed in position “ON” during operation.
- ▶ **During use of high pressure cleaners, aerosols may be formed.** Inhalation of aerosols can be hazardous to health.
- ▶ Shielded nozzles can reduce the aerosol effect. If necessary wear personal protective equipment (PPE) e. g. safety goggles, breathing protection etc to protect against water, particles and/or aerosols sprayed back from parts.
- ▶ High pressure may cause objects to rebound. If necessary wear suitable personnel protective equipment such as safety goggles.
- ▶ Vehicle tyres/tyre valves may only be cleaned from a minimum distance of 30 cm in order to avoid damages by the high-pressure jet. The first indication of damage is the discolouration of the tyre. Damaged vehicle tyres/tyre valves are dangerous to life.
- ▶ Materials containing asbestos and other materials which contain substances which are hazardous to your health must not be sprayed.
- ▶ Detergents must not be used undiluted. The products are safe to use as they contain no acids, alkalis or substances which are detrimental to the environment. We recommend that the detergents are kept out of the reach of children. If detergent comes into contact with the eyes, wash immediately with plenty of water and if swallowed contact a doctor immediately.
- ▶ **Never use the pressure washer without the filter or with a dirty or damaged filter.** Using the pressure washer without a filter or with a dirty

or damaged filter may invalidate the warranty.

- ▶ Metal parts may become hot after prolonged usage. If necessary wear protective gloves.
- ▶ Avoid high pressure washing in bad weather conditions especially when there is a risk of lightning.
- ▶ Wear suitable protective clothing to protect against splash water. Do not use the appliance within the range of persons, unless they wear protective clothing.

Operation

- ▶ The operator must use the product in accordance with the regulations. The local conditions must be taken into account. When working, pay attention to other people, especially to children.
- ▶ The unit may only be used by authorised persons who have received training or have demonstrated their ability to operate the unit. The unit must not be operated by children or juveniles (danger of accidents due to incorrect use of the unit).
- ▶ Never allow children, persons with physical, sensory or mental limitations or a lack of experience and/or knowledge and/or people unfamiliar with these instructions to use the product. Local regulations may restrict the age of the operator.

- ▶ Children should be supervised to ensure that they do not play with the product.
- ▶ The unit must never be left unsupervised while the unit is switched on.
- ▶ The water jet from the high-pressure nozzle produces a recoil on the gun. You should therefore hold the gun and spray lance firmly with both hands.
- ▶ Never use a roto nozzle or pencil jet to clean motor vehicles.

Transport

- ▶ Switch off the motor and secure the unit before transporting.

Maintenance






- ▶ Switch off the unit prior to all cleaning and maintenance work and before replacing components. Pull out the mains plug if the unit is mains-operated.
- ▶ Repairs may only be carried out by authorised Bosch Service Centres.

Accessories and spare parts

- ▶ Accessories and spare parts which have been approved by Bosch must be used. Original accessories and spare parts guarantee that the machine can be operated safely and without any breakdowns.

Symbols

The following symbols are important for reading and understanding the original instructions. Please take note of the symbols and their meaning. The correct interpretation of the symbols will help you to use the product in a better and safer manner.

Symbol	Meaning
	Movement direction
	Reaction direction
	Weight
	On
	Off
Lo	Low pressure
Hi	High pressure

Symbol	Meaning
	Accessories

Intended Use

The product is intended for cleaning areas and objects outside the house, tools, vehicles and boats, if the appropriate accessories and cleaning agents approved by Bosch are used.

The intended use is related to operation within 0 °C and 40 °C ambient temperature.

This product should not be used for professional use.

The product should not be held by the operator whilst in operation and should be kept in an upright position as illustrated within this manual when placed on the ground.

Technical Data

Pressure washer	EasyAquatak 100	
Article number		3 600 HA7 E..
Rated power	kW	1.1
Supply temperature max.	°C	40
Supply rate min.	l/min	5.5
Allowable pressure	MPa	10
Rated pressure	MPa	6.7
Rated Flow	l/min	4.5
Maximum inlet pressure	MPa	1
Autostop Function		●
Weight according to EPTA-Procedure 01:2014	kg	3.5
Protection class		□/II
Serial number		See serial number (rating plate) on pressure washer

The specifications apply to a rated voltage [U] of 230 V. These specifications may vary at different voltages and in country-specific models.

Starting cycles generate brief voltage drops. Interference with other equipment/machines may occur in case of unfavourable mains system conditions. Malfunctions are not to be expected for system impedances below **0,153** ohm. If in doubt please contact your Supply Authority.

Noise/Vibration Information

3 600 HA7 E..

Typically the A-weighted noise levels of the product are:

Noise emission values determined according to **EN 60335-2-79**.

– Sound pressure level	dB(A)	79
– Sound power level	dB(A)	91
– Uncertainty K	dB	3.0

Wear hearing protection!

Vibration total values a_h (triax vector sum) and uncertainty K determined according to **EN 60335-2-79**

– Vibration emission value a_h	m/s^2	1.3
– Uncertainty K	m/s^2	0.6

Mounting and Operation

Representation/Action Objective	Figure	Page
Delivery scope	A	29
Connecting high pressure water supply hose/nozzle	B	30
Connecting to the water supply	C	30
Connect detergent bottle	D	31
Switching On and Off	E	32
Adjust water jet	F	32
Setting Handle Angle	G	33
Working Advice		
Clean nozzle	H	34
Clean the water filter	I	34
Storage	J	35
Selecting Accessories	K	36

Switching on

For Your Safety



Warning: Switch off, remove plug from mains before adjusting, cleaning or if cable is cut, damaged or entangled.

The operating voltage is 230 V AC, 50 Hz (for non-EU countries 220 V, 240 V as applicable). Contact your Bosch Service Centre for details. If in doubt contact a qualified electrician or the nearest Bosch Service Centre.

If you want to use an extension cable when operating your high pressure washer, only the following cable dimensions should be used:

- 2.5 mm² – max length 25 m

Note: If an extension cable is used it must be earthed and connected through the plug to the earth cable of your supply network in accordance with prescribed safety regulations.

If in doubt contact a qualified electrician or the nearest Bosch Service Centre.



WARNING! Inadequate extension cables can be dangerous. Extension cable, plug and socket must be of watertight construction and intended for outdoor use.

The connections (plugs and sockets) should be kept dry and off the ground.

For increased electrical safety use a Residual Current Device (RCD) with a tripping current of not more than 30 mA. Always check your RCD every time you use it.

If the supply cord is damaged, it must be replaced by a Bosch Service Centre.

For products **not sold in GB:**

Warning: For your safety, it is required that the plug attached to the product is connected with the extension cord. The coupling of the extension cord must be protected

against splash water, be made of rubber or coated with rubber. The extension cord must be used with a cable strain relief.

To prevent damage to the appliance, do not allow it to operate dry.

Products sold in GB only:

Your product is fitted with an BS 1363/A approved electric plug with internal fuse (ASTA approved to BS 1362).

If the plug is not suitable for your socket outlets, it should be cut off and an appropriate plug fitted in its place by an authorised customer service agent. The replacement plug should have the same fuse rating as the original plug.

The severed plug must be disposed of to avoid a possible shock hazard and should never be inserted into a mains socket elsewhere.

Operation

► **To prevent damage to the appliance, do not allow it to operate dry.**

Starting

Attach water supply hose (not supplied) to the mains water supply and machine.

Connect the product to the mains supply ensuring that the mains switch is in the off position.

Open water tap.

Press the safety lock (back button on the gun handle) to release the trigger. Fully press the trigger until there is a constant flow of water to clear the air from the machine and water supply hose. Release trigger. Press the safety lock (front button on the gun handle).

Turn button on main switch. Point the power gun downwards. Press the trigger safety lock to release the trigger. Fully press the trigger.

Autostop Function

The machine is designed to switch off the motor when the trigger is released on the gun.

Working Advice

General

Ensure that the pressure washer is on level ground.

Do not overreach with the high pressure hose or move the pressure washer by pulling the hose, this could cause the machine to become unstable and fall over.

Do not kink or drive a motor vehicle over the high pressure hose. Do not expose the high pressure hose to sharp edges or corners.

Working advice for cleaning with detergents

► **Only use cleaning agents suitable specifically for high pressure washers.**

We recommend that you use detergent sparingly for the sake of the environment. Observe the recommended dilution on the detergent label.

The high-pressure foam nozzle supplied with this product includes a regulator to control detergent use. Adjust as required.

Recommended cleaning method

Step 1: Remove the heavy dirt.

Step 2: Attach the foam bottle and spray on the detergent sparingly.

Step 3: Rinse off the loosened dirt and detergent with the wide fan jet.

Note: When cleaning a vertical surface spray off dirt/detergent from the bottom and work in an upwards direction. Rinse from the top and work downwards.

Use with alternative water sources

This high-pressure washer will self prime and can draw water from water tanks and natural water sources. It is **IMPORTANT** that the water is clean and the BOSCH inlet filter is clear and fitted to the machine.

Open tanks/containers and natural water sources

Use the Self Priming accessory kit comprising:

- Inlet strainer with non return valve
- 3 m reinforced supply hose
- Universal coupling to the pressure washer

This enables the pressure washer to draw water up to 0.5 m above the water level in the source. This may take up to 15 seconds.

Submerge the 3 m hose in water to displace the air. Connect the 3 m supply hose to the pressure washer ensuring that the inlet strainer remains submerged in the water source.

Run the pressure washer with the lance disconnected until a steady flow of water appears from the high pressure hose. Stop if this has not been achieved within 25 seconds and check all the connections. Switch off and connect the lance and nozzle to operate.

It is important to ensure that all hose and coupling connections are of good quality, air tight and that all washers are in good condition and correctly seated in place. Failure to do so may affect the self priming performance.

Water Tanks with outlet connections

When connecting the pressure washer to a water tank with a suitable tap outlet, first connect the supply hose (not provided) to the tank outlet, open the tap to allow the water to displace all the air in the hose and then connect to the pressure washer.

Troubleshooting

Problem	Possible Cause	Corrective Action
Motor refuses to start	Plug not connected	Connect plug
	Mains socket faulty	Use another socket
	Fuse faulty / blown	Replace fuse
	Extension cable damaged	Try without extension cable
	Motor protector has activated	Allow to cool for 15 minutes
	Frozen	Wait for pump/water supply hose/accessory to thaw
Motor stops	Fuse faulty / blown	Replace fuse
	Wrong mains voltage	Check that mains voltage corresponds to specifications on the model tag
	Motor protector has activated	Allow to cool for 15 minutes
Fuses blow	Fuses incorrectly rated	Change to a mains supply higher than the pressure washer amp consumption
Motor starts but no pressure	Nozzle partly blocked	Clean nozzle
Motor "sounds" but fails to start	Insufficient power supply	Check that the voltage of the mains power supply line is the same as that on the plate.
	Voltage loss due to use of extension cable	Check characteristics of extension cable
	Appliance not used for a long period of time	Contact your Bosch Service Centre
	Problems with TSS (Total Stop System) device	Contact your Bosch Service Centre

Problem	Possible Cause	Corrective Action
Pressure pulsating	Air in the inlet water supply hose/pump	Allow pressure washer to run with open spray handle and nozzle at low pressure until regular working pressure is obtained
	Inadequate water supply	Check that the water supply corresponds to specifications. The minimum specification for the water supply hose is 1/2" or 13 mm diameter
	Water filter blocked	Clean water filter
	Water supply hoses squeezed	Straighten out kinked water supply hoses
	High pressure hose too long	Remove high pressure extension hose. Retry (extension hose max. 7 m)
Pressure too low, but steady Note: Several types of accessory will normally deliver a lower pressure	Nozzle worn	Change the nozzle
	Start/stop valve worn	Activate trigger five times in quick succession
Motor starts up but with restricted or no working pressure	No water supply	Connect water supply
	Water filter clogged up	Clean the water filter
	Nozzle clogged up	Clean nozzle
The pressure washer starts irregularly by itself	Pump/ power gun leaky	Contact your Bosch Service Centre
Water leaks from machine	Leaking pump	A slight water leak is permissible; in case of excessive leak, contact Bosch Service Centre.

Maintenance and Service

Maintenance

► Stop, remove plug from the power supply and disconnect from water supply.

Note: To ensure long and reliable service, carry out the following maintenance regularly.

Regularly check for obvious defects such as loose fixings, and worn or damaged components.

Check that covers and guards are undamaged and correctly fitted. Carry out necessary maintenance or repairs before using.

In order to avoid safety hazards, if the power supply cord needs to be replaced, this must be done by **Bosch** or by an after-sales service centre that is authorised to repair **Bosch** power tools.

After use/Storage

Turn the main switch off and operate the trigger to drain the water from the high pressure hose.

Clean the exterior of the machine thoroughly using a soft brush or cloth. Do not use water, solvents or polishes. Remove all debris, especially from the ventilation slots.

End of season storage: Drain water out of pump running motor for a few seconds. Pull trigger to release all water.

Do not place other objects on top of the machine.

Store in a frost-free area.

Ensure cables are not trapped when storing. Do not kink high pressure hose.

Environmental Protection

Chemicals dangerous to the environment must not be allowed to enter the ground, ground water or ponds, streams, etc.

For the use of cleaning agents, observe the instructions on the package and the prescribed concentration exactly.

For the cleaning of motor vehicles the local regulations should be observed: Do not allow oil sprayed off to enter into the ground water. Recycle raw materials instead of waste disposal.

After-Sales Service and Application Service

Our after-sales service responds to your questions concerning maintenance and repair of your product as well as spare parts. You can find explosion drawings and information on spare parts at: www.bosch-pt.com

The Bosch product use advice team will be happy to help you with any questions about our products and their accessories.

In all correspondence and spare parts orders, please always include the 10-digit article number given on the nameplate of the product.

Great Britain

Robert Bosch Ltd. (B.S.C.)

P.O. Box 98

Broadwater Park

North Orbital Road
Denham Uxbridge
UB 9 5HJ

At www.bosch-pt.co.uk you can order spare parts or arrange
the collection of a product in need of servicing or repair.

Tel. Service: (0344) 7360109

E-Mail: boschservicecentre@bosch.com

You can find further service addresses at:

www.bosch-pt.com/serviceaddresses

Disposal

The product, accessories and packaging should be sorted
for environmental-friendly recycling.



Do not dispose of products into household
waste!

Only for EU countries:

According to the European Directive 2012/19/EU on Waste
Electrical and Electronic Equipment and its implementation
into national law, power tools that are no longer usable must
be collected separately and disposed of in an environment-
ally friendly manner.

UK Importer:

Robert Bosch Ltd.
Broadwater Park
North Orbital Road
Uxbridge UB9 5HJ

إلى جانب الملاحظات المذكورة بتعليمات التشغيل.

الوصل بالكهرباء

- ◀ يجب أن يتوافق جهد منبع التيار مع المعلومات المذكورة على لافتة طراز الجهاز.
- ◀ ينصح بوصل هذا الجهاز فقط بمقبس تم تأمينه بمفتاح 30 ميلي أمبير للوقاية من التيار المتخلف.
- ◀ ينبغي ان يكون قاطع الدورة المصغرة للإمداد بالكهرباء من الطراز C ومناسباً لـ 16 أمبير كحد أدنى. عند الاشتباه اتصل بكهربائي مؤهل. لا تحاول القيام بتغييرات في التركيبات الكهربائية لوحدهك.
- ◀ اسحب القابس من المقبس حتى لو تركت الجهاز دون مراقبة لفترة قصيرة فقط.
- ◀ يجب أن يوافق الامداد بالجهد الكهربائي IEC 60364-1.
- ◀ إن تطلب الأمر استبدال خط الوصل، توجب أن يتم ذلك من قبل المنتج أو مركز خدمة الوكالة أو من قبل شخص متخصص بذلك من أجل تجنب المخاطر.
- ◀ لا تلمس قابس الشبكة الكهربائية بواسطة اليدين المبتلتين إطلاقاً.
- ◀ لا تسحب قابس الشبكة الكهربائية أثناء العمل بواسطة الجهاز.
- ◀ لا تعبر خط الوصل بالشبكة الكهربائية أو كبل التمديد

عربي

ملاحظات الأمان

شرح صور الرموز

ملاحظة خطر عامة.



لا توجه شعاع الماء إطلاقاً على الأشخاص أو الحيوانات أو الجهاز أو الأجزاء الكهربائية. تنبيه: قد يكون شعاع الضغط العالي خطيراً عند سوء الاستخدام.



لا يجوز ربط الجهاز بشبكة ماء الشرب دون فصل الأنظمة طبقا



للأحكام السارية. استخدم فاصل للأنظمة حسب IEC 61770 طراز BA.

إن الماء الذي يتدفق عبر فاصل الأنظمة لم يعد ماء للشرب.

ملاحظات الأمان لجهاز التنظيف بالضغط العالي

اقرأ جميع ملاحظات الأمان و التعليمات. إن التقصير عند تطبيق



ملاحظات الأمان و التعليمات قد يؤدي إلى الصدمات الكهربائية واندلاع الحرائق و/أو الإصابة بجروح خطيرة.

تشير لافتات الملاحظات والتحذير المثبتة بالجهاز إلى ملاحظات هامة عن كيفية التشغيل بلا مخاطر.

ينبغي مراعاة أحكام الأمان العامة وأحكام تجنب الحوادث

- التدفق الرجعي بأنه غير قابل للشرب.
- ◀ لا يجوز أن يكون خرطوم الضغط العالي تالف (خطر التصدع). يجب أن يتم استبدال خرطوم الضغط العالي التالف فوراً. يجوز استخدام الخراطيم والوصلات التي ينصح باستخدامها المنتج فقط.
- ◀ إن خراطيم الضغط العالي والمعدات والقارنات تلعب دوراً هاماً بالنسبة لأمان الجهاز. استخدم فقط الخراطيم والمعدات والقارنات التي ينصح باستخدامها المنتج.
- ◀ يسمح فقط باستخدام الماء النظيف أو المفلتر/المرشح بوصلة الماء.
- الاستخدام**
- ◀ يجب أن يتم فحص سلامة وأمان تشغيل الجهاز والتوابع قبل الاستخدام. لا يجوز استخدامها إن لم تكن سليمة.
- ◀ لا توجه شعاع الماء على نفسك أو على غيرك بقصد تنظيف الثياب أو الأحذية.
- ◀ لا يجوز استخدام السوائل التي تحتوي على المواد المحلّة، الحموض الغير ممددة، الآستون أو المواد المحلّة بما فيه البنزين، ممدد الطلاء ومازوت التدفئة، لأن رذاذ البخ الناتج عنها شديد الاشتعال والانفجار والسمية.
- ◀ يجب مراعاة أحكام الأمان الموافقة عند استخدام الجهاز
- بواسطة السيارة ولا تقمطهما أو تسحبهما، فقد يؤدي ذلك إلى إتلافهما. احم الكبل من الحرارة والزيت والحواف الحادة.
- ◀ لا تستخدم الجهاز إذا كان هناك تلف بكبل الشبكة الكهربائية أو بأجزاء هامة كخرطوم الضغط العالي، مسدس البخ أو تجهيزات الوقاية.
- ◀ تنبيه: إن كبلات التمديد الغير نظامية قد تكون خطيرة.
- ◀ ينبغي أن يكون القابس والقارنة مصنعا بطريقة معزولة للماء عند استخدام كبل التمديد. يجب أن يطابق مقطع الكبل المتطلبات المذكورة بتعليمات التشغيل وأن يكون قد تم وقاية الكبل من رذاذ الماء. لا يجوز أن تضع قارنة الوصل في الماء.
- ◀ إن تم استبدال القوابس بكبل الامداد بالكهرباء أو بكبل التمديد، توجب المحافظة على الوقاية من رذاذ الماء وعلى المتانة الميكانيكية.
- الوصل بالماء**
- ◀ تراعى أحكام مؤسسة الامداد بالماء.
- ◀ يجب أن تكون وصلات ربط خراطيم الوصل سدودة للماء.
- ◀ استخدم فقط خرطوم مقوى بقطر يبلغ 12,7 مم (1/2 إنش).
- ◀ لا يجوز أبداً أن يتم ربط الجهاز بمصدر الامداد بماء الشرب بلا صمام التدفق الرجعي. يعتبر الماء المتدفق عبر صمام

عند الضرورة عتاد الوقاية الشخصي ضد رذاذ الماء، مثلاً: نظارات واقية، قناع للوقاية من الغبار وإلخ..، للاتقاء من الماء والجسيمات الدقيقة و/أو الهباء الجوي الذي قد يتم إكعاسه نحوك.

◀ إن الضغط العالي قد يجعل الأغراض ترتد. ارتد عند الضرورة عتاد وقاية شخصي ملائم، كالنظارات الواقية مثلاً.

◀ نظف إطارات السيارات/ الصمامات فقط بعد أدناه 30 سم لتجنب التلف من قبل شعاع الضغط العالي. إن تغير لون الإطار هو من المؤشرات الأولى للتلف. إن إطارات السيارات/ الصمامات التالفة تعرض الحياة للخطر.

◀ لا يجوز البخ على المواد المحتوية على الأسبستوس أو غيرها من المواد المضرة بالصحة.

◀ لا تستعمل مواد التنظيف دون تخفيفها. إن هذه المنتجات آمنة إذ أنها لا تحتوي على الحموض أو القلويات أو المواد المضرة بالبيئة. إننا ننصح بالاحتفاظ بالمواد التنظيفية بمكان بعيد عن منال الأطفال. اشطف العينين بالماء فوراً إن لامست المواد التنظيفية وراجع الطبيب فوراً عند ابتلاع المواد التنظيفية.

◀ لا تستخدم منظف الضغط العالي أبداً بلا مرشح، أو مع مرشح متسخ أو مع مرشح تالف. تلغى الكفالة عند

في المجالات المعرضة للخطر (محطات الوقود مثلاً). يمنع التشغيل في الغرف المعرضة لخطر الانفجار.

◀ يجب أن تكون للجهاز أرضية ثابتة.

◀ احرص على توفر تهوية كافية عند الاستخدام داخل الحجرات المغلقة. تأكد من أن العربات مطفأة (المحرك مطفأ) أثناء التنظيف.

◀ يتطلب استخدام منظف الضغط العالي كلتا اليدين. لا تزاول العمل واقفاً على سلم. احرص أثناء العمل على الشرفات أو غيرها من السطوح المرتفعة إلى إمكانية رؤية جميع الزوايا في أي وقت.

◀ استخدم فقط مواد التنظيف التي تنصح بها الشركة المنتجة للجهاز. راء إرشادات الشركة المصنعة بخصوص الاستعمال والإتلاف والإنذار.

◀ يمكن ان يؤثر استخدام مواد التنظيف أو الكيمياءات الأخرى على سلامة الماكينة.

◀ يجب أن تكون جميع الأجزاء التي يسري بها تيار كهربائي في مجال العمل ذو وقاية من رذاذ الماء.

◀ لا يجوز قمط ذراع الإطلاق بفرد البخ بوضع ON أثناء التشغيل.

◀ قد يتشكل الهباء الجوي عند استخدام أجهزة التنظيف بالضغط العالي. إن استنشاق الهباء الجوي مضر بالصحة.

◀ يمكن ان تخفض المنافث المحجوبة فعالية الرش. ارتد

- ◀ أن تحد الأحكام الوطنية من سن المستخدم.
- ◀ ينبغي مراقبة الأطفال لضمان عدم لعبهم بالجهاز.
- ◀ لا يجوز أبدا ترك الجهاز بلا مراقبة بعد تشغيله.
- ◀ شعاع الماء المتسرب من منفث الضغط العالي ينتج قوة ارتداد. لذلك امسك فرد البخ وحرية البخ جيداً بيديك الأثنين.
- ◀ لا تستعمل المنفث الدوار أو الشعاع النقطي أبدا من أجل تنظيف السيارات ذات المحرك.

النقل

- ◀ اطفئ وأمن الجهاز قبل نقله.

الصيانة

- ◀ اطفئ الجهاز قبل جميع أعمال التنظيف والصيانة واستبدال التوابع. اسحب القابس إن تم تشغيل الجهاز عبر الشبكة الكهربائية.
- ◀ يجوز أن تتم أعمال التصليح من قبل ورشات تصليح مركز خدمة زبائن وكالة بوش فقط.

التوابع وقطع الغيار

- ◀ يجوز فقط استخدام التوابع وقطع الغيار التي يسمع باستخدامها المنتج. تضمن التوابع الأصلية وقطع الغيار الأصلية تشغيل الجهاز بشكل سليم بلا خلل.

الرموز

قد تكون الرموز التالية ذات أهمية من أجل قراءة وفهم تعليمات التشغيل. يرجى حفظ الرموز ومعناها.

- ◀ استخدام منظف الضغط العالي بلا مرشح، أو مع مرشح متسخ أو تالف.
- ◀ إن الأجزاء المعدنية قد تسخن بعد الاستخدام لفترة طويلة. ارتد قفازات واقية عند الضرورة.
- ◀ لا تعمل بواسطة منظف الضغط العالي عندما تكون ظروف الطقس رديئة ولاسيما عند بدء العواصف.
- ◀ ارتد ثياب الوقاية الملائمة ضد رذاذ الماء. لا تستعمل الجهاز على مقربة من الأشخاص الآخرين، إلا إن كانوا يرتدون الثياب الواقية.

التشغيل

- ◀ يجوز أن يتم تشغيل الجهاز من قبل المستخدم فقط طبقا للاستعمال المخصص. ينبغي مراعاة ظروف مكان التشغيل. انتبه إلى الأشخاص الآخرين ولا سيما الأطفال أثناء أداء العمل.
- ◀ يجوز أن يتم استخدام الجهاز فقط من قبل الأشخاص المتدربين على استخدامه واستعماله أو الذين أثبتوا على قدرتهم باستخدام الجهاز. لا يجوز أن يتم تشغيل الجهاز من قبل الأطفال أو المراهقين.
- ◀ لا تسمح للأطفال أو للأشخاص ذوي المقدرات الجسدية أو الحسية أو العقلية المحدودة أو القليلي الخبرة و/أو المعدومي المعرفة و/أو للأشخاص الغير مطلعين على التعليمات هذه أبدا أن يستعملوا الجهاز. يجوز

الرمز
التابع



يساعدك تفسير الرموز بشكل صحيح على استعمال الجهاز بطريقة أفضل وأكثر أماناً.

الرمز

المعنى

اتجاه الحركة



جهة رد الفعل



الوزن



تشغيل



إطفاء



ضغط منخفض

Lo

ضغط مرتفع

Hi

الاستعمال المخصص

لقد خصص الجهاز لتنظيف السطوح والأغراض خارج المنزل، ولتنظيف المعدات والمركبات والقوارب، بشرط استخدام التوابع الملائمة ومواد التنظيف المرخصة من قبل شركة بوش. يستند الاستعمال المخصص على درجة حرارة محيطية بين 0 و 40 درجة مئوية. لا يصلح هذا المنتج للاستعمال المرقي. لا تمسك بالجهاز أثناء التشغيل. لا تقلب جهاز الحديقة أثناء التشغيل. ينبغي أن يكون بوضعية قائمة عند ركنه على الأرض بالشكل الموضح في تعليمات التشغيل.

البيانات الفنية

EasyAquatak 100		منظف الضغط العالي
3 600 HA7 E..		رقم الصنف
1,1	كيلوواط	القدرة الاسمية
40	درجة مئوية	الامداد الحراري الأقصى
5,5	لتر/ دقيقة	كمية الامداد الدنيا بالماء
10	ميغا باسكال	الضغط المسموح
6,7	ميغا باسكال	الضغط الاسمي
4,5	لتر/ دقيقة	التدفق
1	ميغا باسكال	ضغط الدخل الأقصى
●		وظيفة الإيقاف الآلي
3,5	كغ	الوزن حسب EPTA-Procedure 01:2014
II/□		فئة الوقاية
راجع الرقم المتسلسل (لافتة الطراز) على منظف الضغط العالي		الرقم المتسلسل

تسرى البيانات على جهد اسمي [U] يبلغ 230 فولت. قد تختلف تلك البيانات حسب اختلاف الجهد والطرازات الخاصة بكل دولة.

تتج دورات التشغيل انخفاض وجهد الجهد الكهربائي. قد يطرأ تشويش على الأجهزة الأخرى إن كانت ظروف الشبكة الكهربائية غير ملائمة. إن كانت معاوقة الشبكة أقل من 0,153 أوم، فلا داع لتوقع أي خلل. يرجى مراجعة شركة الأمداد بالكهرباء في حال الشكل.

التركيب والتشغيل

الصفحة	الصورة	الصورة / غرض العمل
		ملاحظات عمل
34	H	قم بتنظيف المنفذ
34	I	تنظيف المرشح
35	J	التخزين
36	K	اختيار التوابع

الصفحة	الصورة	الصورة / غرض العمل
29	A	نطاق التوريد
30	B	وصل خرطوم الضغط العالي/فرد البغ
30	C	الوصل بالماء
31	D	وصل قارورة المواد التنظيفية
32	E	التشغيل والإطفاء
32	F	ضبط شعاع المنفذ
33	G	ضبط زاوية العمل

بدئ التشغيل

من أجل سلامتك

تنبيه! اطفئ الجهاز واسحب قابس الشبكة الكهربائية قبل إجراء أعمال الصيانة أو التنظيف. يطبق ذلك أيضا في حال تلف أو قص أو التفاف كبل الشبكة الكهربائية.



اكبس قفل منع التشغيل (المفتاح الخلفي بمقبض الفرد) لإطلاق سراح الزناد. اضغط على الزناد بشكل مطلق، إلى أن يتدفق الماء بشكل منتظم وإلى حد عدم توفر الهواء في الجهاز وفي خرطوم الضغط العالي. اترك سراح الزناد. اكبس قفل منع التشغيل (المفتاح الأمامي بمقبض الفرد).
افتل مفتاح الشبكة الكهربائية. قم بتوجيه فرد البغ إلى الأسفل. اكبس قفل منع التشغيل لإطلاق سراح الزناد. اضغط على الزناد بشكل مطلق.

وظيفة الإيقاف الآلي

يُطفئ الجهاز المحرك فور إطلاق الزناد بمقبض المسدس.

ملاحظات عمل

عام

احرص على ركن منظم الضغط العالي على أرضية مستوية.
لا تقترب بخرطوم الضغط العالي نحو الأمام بشكل زائد كما لا تسمح منظم الضغط العالي من قبل الخرطوم. قد يؤدي ذلك إلى عدم وقوف منظم الضغط العالي بثبات، فيسقط ويقرب.
لا تتجخر خرطوم الضغط العالي ولا تعبئه بسيارة. احم خرطوم الضغط العالي من الحواف أو الزوايا الحادة.

ملاحظات عمل من أجل العمل مع المواد التنظيفية

◀ **استخدم فقط المواد التنظيفية المخصصة بشكل صريح لأجهزة التنظيف بالضغط العالي.**
إننا ننصح باستخدام المواد التنظيفية بطريقة اقتصادية حفاظا على البيئة. تراعى نصائح التخفيف المدونة على القارورة.
لقد تم تزويد منفث الرغوة بالضغط العالي المرفق بهذا المنتج بمنظم لضبط مادة التنظيف. يتم الضبط حسب الطلب.

اسلوب التنظيف المنصوح

الخطوة 1: أزل الأوساخ الخشنة.
الخطوة 2: ركب قارورة المواد التنظيفية وضع القليل من المواد التنظيفية.
الخطوة 3: اشطف الأوساخ المنملة والمواد التنظيفية بواسطة شعاع السطوح العريض.
ملحوظة: ابدأ بيج المواد التنظيفية/الأوساخ من الأسفل عند تنظيف السطوح العمودية وانتقل شيئا فشيئا نحو الأعلى. أما عند إزالة الأوساخ فابدأ من الأعلى وانتقل شيئا فشيئا نحو الأسفل.

الاستعمال بمصادر مائية بديلة

يتميز منظم الضغط العالي هذا بالشفط الذاتي ويسمح بشفط الماء من الأوعية أو من المصادر الطبيعية. من **الهام** أن يكون قد تم تنظيف وتركيب مرشح بوش بمدخل الماء وأن يتم شطف الماء النقي فقط.

يبلغ جهد التشغيل 230 فولط تيار متناوب، 50 هرتز (بالنسبة لغير دول الجماعة الأوروبية 220 فولط، 240 فولط حسب الطراز). استخدم كبيلات التمديد المسموحة والمرخصة فقط. يعثر على المزيد من المعلومات لدى مركز الوكالة لخدمة الزبائن.
إن أردت أن تستخدم كبل تمديد أثناء تشغيل منظم الضغط العالي، فإن ذلك يتطلب ناقل بالمقاطع التالية:

– 2,5 مم² إلى حد طول أقصاه 25 م
ملحوظة: إن تم استخدام كبل تمديد، توجب أن يمتاز – كما تم وصفه بتعليمات الأمان – بناقل وقائي يتم وصله عبر القابس بالنقل الوقائي بشبكته الكهربائية للتأريض.

يفضل أن تستشير كهربائي متخصص أو مركز صيانة بوش في حال الشك.

احترس! إن كبيلات التمديد المخالفة للأحكام قد تكون خطيرة. يجب أن تكون كبيلات التمديد والقوابس والمخصصة للاستعمال الخارجي.



ينبغي أن تكون وصلات الكبيلات (كبل الشبكة الكهربائية والمقابس) جافة ولا يجب أن تكون موصولة على الأرض.
لزيادة الأمان استخدم مفتاح للوقاية من التيار المتخلف (RCD) مناسب لتيار متخلف حتى 30 ميلي أمبير كحد أقصى. ينبغي أن يتم فحص مفتاح الوقاية من التيار المتخلف قبل كل استعمال.
يسمح بتصليح خط الوصل التالف من قبل ورشة تصليح وكالة بوش فقط.

ملحوظة خاصة بالمنتجات التي لا تباع في بريطانيا:
تنبيه: يطلب للمحافظة على أمانك أن يتم وصل القابس المركب على جهاز الحديقة بكبل التمديد. ينبغي أن يكون قد تم وقاية قارورة كبل التمديد من رذاذ الماء، وأن تكون مصنوعة من المطاط أو أن تكون مغلقة بالمطاط. ينبغي أن يتم استخدام كبل التمديد بالاتصال مع مخفف للسحب.
يراعى بأن هذا الجهاز لا يجوز أن يعمل بلا ماء.

التشغيل

◀ **يراعى بأن هذا الجهاز لا يجوز أن يعمل بلا ماء.**

التشغيل

اربط خرطوم الماء (غير مرفق) بمنبع الامداد بالماء وبالجهاز.
تأكد من ضبط مفتاح الشبكة الكهربائية على وضع 0 وقم بوصل الجهاز بالمقبس.
افتح صنوبر الماء.

إن لم يتدفق الماء بعد 25 ثا، اطفئه وافحص جميع الوصلات. إن تدفق الماء، فاطفئي منظف الضغط العالي وركب فرد البخ وحرية البخ للبدء بالعمل. في بالغ الأهمية أن يكون الخرطوم وأيضاً القارنات من نوعية جيدة وأن تكون مرتبطة بطريقة مانعة للتسريب وأن تكون جميع الفلك سليمة وغير تالفة ومركبة بشكل مستقيم. إن الوصلات التي تقوم بالتسريب قد تعيق عملية الشفط.

وعاء الماء مع صنوبر التفريغ

إن كان من المرغوب وصل منظف الضغط العالي بخزان مزود بصنوبر تفريغ مناسب، توجب وصل خرطوم ماء (غير مضمن بإطار التسليم) بالصنوبر أولاً. افتح الصنوبر لإزاحة الهواء من الخرطوم بشكل كامل ثم اربطه بمنظف الضغط العالي.

الخزانات/الأوعية المفتوحة والمياه الطبيعية

استخدم توابع الشفط الذاتي التي تتألف من:

- مصفاة الشفط مع الصمام اللارجعي
- خرطوم شفط مقوى 3 م
- قارنات عامة لمنظف الضغط العالي

تسمح هذه التوابع لمنظف الضغط العالي بشفط الماء من ارتفاع 0,5 م فوق مستوى الماء. قد يستغرق ذلك 15 ثا تقريباً.

اغطس خرطوم الـ 3 م في الماء بشكل كامل من أجل إزاحة الهواء. اربط خرطوم الشفط 3 م بمنظف الضغط العالي، واحرص على إبقاء مصفاة الشفط تحت الماء.

شغل منظف الضغط العالي بعد فك فرد البخ إلى أن يتدفق الماء من خرطوم الضغط العالي بشكل منتظم.

البحث عن الأخطاء

الأعراض	السبب المحتمل	العلاج
المحرك لا يشتغل	لم يتم وصل القابس	اربط القابس
	المقبس تالف	استخدم مقبس آخر
	تم إطلاق المصهر	استبدل المصهر
	كبل التمديد تالف	حاول بلا كبل التمديد
	تم إطلاق واقيه المحرك	اترك المحرك لمدة 15 دقيقة ليبرد.
	هناك تجمد	اسمح بإذابة التجمد عن المضخة وخرطوم الماء والتوابع
المحرك يتوقف	تم إطلاق المصهر	استبدل المصهر
	جهد الشبكة الكهربائية غير صحيح	افحص جهد الشبكة الكهربائية، يجب أن يوافق المعلومات المذكورة على لافتة الطراز
	تم إطلاق واقيه المحرك	اترك المحرك لمدة 15 دقيقة ليبرد.
يتم إطلاق المصهر	المصهر شديد الضعف	يتم الوصل بمنبع تيار كهربائي تم وقيته بشكل يلائم قدرة منظف الضغط العالي
المحرك يعمل ولكن لا يوجد ضغط	المنفث مسدود جزئياً	قم بتنظيف المنفث
صوت المحرك متوفر ولكن بلا عمل	جهد تيار الشبكة الكهربائية غير كافي	افحص توافق جهد الشبكة الكهربائية مع المعلومات المذكورة على لافتة الطراز.
	الجهد شديد الانخفاض بسبب استخدام كبل تمديد	افحص صلاحية كبل التمديد
	لم يتم استخدام الجهاز لفترة طويلة	اتصل بمركز خدمة وكالة شركة بوش
	مشاكل بوظيفة الإيقاف الألي	اتصل بمركز خدمة وكالة شركة بوش
الضغط ينضب	هواء في خرطوم الماء أو المضخة	يدار منظف الضغط العالي مع فتح فرد البخ وصنوبر الماء وضبط المنفث على الضغط المنخفض إلى حد التوصل إلى ضغط عمل منتظم
	الامداد بالماء غير سليم	افحص عما إن كان امداد الماء يوافق المعلومات المذكورة في البيانات الفنية. إن أصغر خراطيم الماء المسموح استعمالها هي 1/2 إنش أو 13 Ø مم
	مرشح الماء مسدود	نظف مرشح الماء
	خرطوم الماء مثني أو ملتوي	مد خرطوم الماء بشكل مستقيم

الأعراض	السبب المحتمل	العلاج
خرطوم الضغط العالي أطول من المسموح	خرطوم الضغط العالي، طول	فك تمديد خرطوم الضغط العالي، طول خرطوم الماء الأقصى 7 م
الضغط منتظم ولكنه أدنى من المطلوب ملحوظة: بعض التوابع تؤدي إلى ضغط منخفض	المنفث مستهلك صمام البديء/التوقف مستهلك	قم بتغيير المنفث اضغط على الزناد بسرعة 5 مرات متتالية
المحرك يعمل، ولكن الضغط محدود أو لا يوجد ضغط عمل	لم يتم وصل الماء المرشع مسدود المنفث مسدود	صل الماء تنظيف المرشع قم بتنظيف المنفث
منظف الضغط العالي يبدأ بالإدارة من تلقاء نفسه	المضخة أو فرد البغ يسرب	اتصل بمركز خدمة وكالة شركة بوش
الجهاز يسرب	المضخة تسرب	تسريب ماء بسيط مسموح. اتصل بخدمة الزبائن إن كان التسريب كبير

الصيانة والخدمة

الصيانة

← اسحب قاسب الشبكة الكهربائية وفك وصلة الإمداد بالماء قبل البديء بأية أعمال على الجهاز.

ملحوظة: طبق أعمال الصيانة التالية بشكل منتظم، لكي تضمن مدة استعمال طويلة وموثوقة. افحص الجهاز بشكل منتظم بحثاً عن العيوب الواضحة، كالوصلات المنحلة والقطع المستهلكة أو التالفة. افحص عما إن كانت الأغشية وتجهيزات الوقاية سليمة وإن كان قد تم تركيبها بشكل صحيح. ينبغي أن تقوم بأعمال الصيانة والتصلية الضرورية إن وجدت، قبل الاستخدام.

إذا تطلب الأمر استبدال خط الإمداد، فينبغي أن يتم ذلك من قبل شركة **Bosch** أو من قبل مركز خدمة الزبائن المعتمد لشركة **Bosch** للعدد الكهربائية، لتجنب التعرض للمخاطر.

بعد الاستخدام/الخزن

اطفئ مفتاح التشغيل والإطفاء واكبس الزناد من أجل تفريغ خرطوم الضغط العالي. نظف منظف الضغط العالي من الخارج بواسطة فرشاة طرية وقطعة قماش. لا يجوز استعمال الماء أو المواد المحللة أو مواد الصقل. أزل جميع الأوساخ ولاسيما عن شقوق تهوية المحرك. التخزين بنهاية الموسم. أفرغ الماء من المضخة بشكل كامل من خلال إدارة المحرك لعدة ثوان مع الضغط على الزناد.

لا تترك أية أعراض أخرى على منظف الضغط العالي. اخزن الجهاز بمحيط خال من الصقيع. احرص على عدم نبي الكبلات أثناء التخزين. لا تلوي خرطوم الضغط العالي.

حماية البيئة

لا يجوز أن تصل المواد الكيماوية المضرّة بالبيئة إلى الأرض والمياه الجوفية والبحيرات والأنهر وإلخ.

تفيد بالمعلومات المذكورة على الغلاف وبالتركيز المطلوب بشكل دقيق عند استخدام مواد التنظيف. تراعى الأحكام المحلية عند تنظيف السيارات ذات المحرك: يمنع وصول الزيوت التي تم إزالتها بالبخ إلى المياه الجوفية.

خدمة العملاء واستشارات الاستخدام

يجيب مركز خدمة العملاء على الأسئلة المتعلقة بإصلاح المنتج وصيانتة، بالإضافة لقطع الغيار. تجد الرسوم التفصيلية والمعلومات الخاصة بقطع الغيار في الموقع: www.bosch-pt.com يسر فريق Bosch لاستشارات الاستخدام مساعدتك إذا كان لديك أي استفسارات بخصوص منتجاتنا وملحقاتها.

يلزم ذكر رقم الصنف ذو الخانات العشر وفقاً للوحة صنع المنتج عند إرسال أية استفسارات أو طلبيات قطع غيار.

تجد المزيد من عناوين الخدمة تحت:

www.bosch-pt.com/serviceaddresses

التخلص من العدة الكهربائية

يجب التخلص من الأجهزة والتوابع والتغليط بطريقة منصفة بالبيئة عن طريق النفايات القابلة لإعادة التصنيع.

لا تقم برمي الأجهزة والمنتجات الأخرى في النفايات المنزلية!



فقط لدول الاتحاد الأوروبي:

حسب التوجيه الأوروبي EU/2012/19 يصدد الأجهزة الكهربائية والإلكترونية القديمة وتطبيقه ضمن القانون المحلي، ينبغي جمع العدد الكهربائية التي لم تعد صالحة للاستعمال بشكل منفصل، وتسليمها لمركز يقوم بإعادة استغلالها بطريقة محافظة على البيئة.

برای کاربرد بی خطر ارائه می کنند.

علاوه بر تذکرات موجود در دفترچه راهنما بایستی دستورات ایمنی عمومی و مقررات جلوگیری از حادثه را رعایت نمود.

اتصال به برق

- ◀ ولتاژ منبع جریان برق باید با مقادیر موجود بر روی برچسب محصول مطابقت داشته باشد.
- ◀ توصیه می شود، محصول را فقط به یک پریزی وصل کنید که مجهز به یک کلید حفاظ یا جریان خطای حداکثر 30 میلی آمپر باشد.
- ◀ کلید حفاظ جریان برق بایستی دارای کلاس C و برای A 16 در نظر گرفته شده باشد. در صورت تردید به یک تکنیسن برق مراجعه کنید. سعی نکنید خودتان تغییراتی در نصب الکتریکی انجام دهید.
- ◀ دوشاخه را از پریز بیرون بکشید، حتی اگر برای مدت کوتاه دستگاه را بدون نظارت رها می کنید.
- ◀ تأمین ولتاژ الکتریکی بایستی مطابق با IEC 60364-1 باشد.
- ◀ در صورت نیاز به یک کابل یدکی برای اتصال به شبکه برق، بایستی به شرکت بوش و یا به نمایندگی مجاز بوش (خدمات پس از فروش) برای ابزار آلات برقی بوش مراجعه کنید تا از

فارسی

دستورات ایمنی

توضیح علائم

هشدارهای عمومی.



سر آبپاش را هرگز به طرف انسانها، حیوانات، خود دستگاه و قسمت‌های الکتریکی نگیرید. توجه: آب فشار قوی در صورت استفاده غیر معمول خطرناک است.



دستگاه بر اساس مقررات معتبر نباید بدون جدایی از سیستم به شبکه آب آشامیدنی متصل گردد. از یک جدا کننده سیستم بر طبق IEC 61770 Typ BA استفاده کنید.



آبی که از جدا کننده جاری می شود، دیگر قابل آشامیدن نیست.

دستورات ایمنی برای شوینده های فشار قوی

همه دستورات ایمنی و راهنمایی ها را بخوانید. اشتباهات ناشی از عدم رعایت این دستورات ایمنی ممکن است باعث برق گرفتگی، سوختگی و یا سایر جراحت های شدید شود.



برچسبهای هشدار نصب شده روی دستگاه، تذکرات مهم را

- ◀ تنها از یک شلنگ قوی با قطر mm (1/2 12,7) استفاده کنید.
- ◀ دستگاه را هرگز نباید بدون سوپاپ (شیر) اطمینان برگشت جریان به منبع آب آشامیدنی وصل کرد. آبی که از شیر اطمینان جاری می شود، قابل آشامیدن نیست.
- ◀ شلنگ فشار قوی نباید دارای آسیب دیدگی باشد (خطر ترکیدگی). شلنگ فشار قوی آسیب دیده را بایستی بی درنگ تعویض کرد. تنها باید از شلنگها و اتصالات توصیه شده توسط شرکت استفاده کرد.
- ◀ شلنگهای فشار قوی، شیرآلات و اتصالات برای ایمنی دستگاه مهم هستند. تنها از شلنگها، شیرآلات و اتصالات توصیه شده توسط شرکت استفاده کنید.
- ◀ در محل اتصال به آب بایستی از آب تمیز و فیلتر شده استفاده کنید.

کاربرد

- ◀ قبل از کاربرد دستگاه با متعلقات، آن را از لحاظ وضعیت مطابق با استاندارد و نیز از نظر ایمنی کارکرد کنترل کنید. چنانچه وضعیت دستگاه مناسب نباشد، نباید آن را بکار برد.
- ◀ سر آبپاش را به طرف خود یا دیگران جهت تمیز کردن لباس یا کفش نگیرید.
- ◀ نباید مایعات دارای حلال، اسیدهای خالص، استون یا حلالهایی مانند بنزین، تینر و نفت

- بروز خطرات ایمنی جلوگیری بعمل آید.
- ◀ دوشاخه را هرگز با دست خیس نگیرید.
- ◀ هنگام کار با دستگاه، دوشاخه را نکشید.
- ◀ کابل اتصال یا کابل رابط را لگد مال یا له نکنید، آن را نکشید، چون ممکن است آسیب ببیند.
- ◀ کابل اتصال/رابط را در برابر گرما، روغن و لبه های تیز محفوظ بدارید.
- ◀ چنانچه دوشاخه یا قسمتهای مهم مانند شلنگ فشار قوی، پیستوله یا تجهیزات ایمنی آسیب دیده اند، از دستگاه استفاده نکنید.
- ◀ توجه: کابل رابط غیر استاندارد ممکن است خطر ساز باشد.
- ◀ در صورت استفاده از یک کابل رابط بایستی دوشاخه و مادگی ضد آب باشند. قطر کابل رابط باید مطابق مندرجات دفترچه راهنما باشد و در برابر وریپاش آب مصون بماند. محل اتصال نباید در آب قرار گیرد.
- ◀ چنانچه دوشاخه تأمین جریان برق یا دوشاخه کابل رابط تعویض شوند، بایستی محافظ وریپاش آب و ثبات مکانیکی حفظ شوند.

شیر آب

- ◀ به مقررات سازمان تأمین آب خود توجه کنید.
- ◀ تمام اتصالات شلنگ ها بایستی آب بندی باشند.

- ◀ **هنگام استفاده از دستگاه شوینده فشار قوی ممکن است ذرات معلق در هوا ایجاد شوند.** استشمام این ذرات برای سلامتی مضر است.
- ◀ نازل های چرب شده ممکن است تأثیر ذرات غبار را کاهش دهند. در صورت نیاز از تجهیزات ایمنی مناسب (شخصی) در برابر وریاش آب مانند عینک ایمنی، ماسک ضد غبار و غیره استفاده کنید، تا در برابر آب، ذرات غباری که از اجسام منعکس می شوند، مصون بمانید.
- ◀ فشار قوی می تواند اشیاء را به طرف کاربر برگرداند. در صورت لزوم از تجهیزات ایمنی شخصی مانند عینک ایمنی استفاده کنید.
- ◀ جهت جلوگیری از آسیب دیدگی توسط آب فشار قوی، لاستیکهای ماشین/بارفها (سوپاها) را فقط با حداقل فاصله 30 سانتیمتر تمیز کنید. تولید نشانه آسیب دیدگی، تغییر رنگ لاستیک است. لاستیکهای ماشین/بارفها (سوپاها) آسیب دیده برای سلامتی خطرناک هستند.
- ◀ مواد دارای آزیست یا موادی که سلامتی را تهدید می کنند را نباید در مسیر آب فشار قوی قرار گیرند.
- ◀ مواد شوینده توصیه شده را بدون رقیق کردن بکار نبرید. این محصولات ایمن هستند چون محتوی اسید، محلولهای
- مکیده شوند، چون بخار حاصل از آنها بسیار قابل اشتعال و انفجار و نیز سمی هستند.
- ◀ هنگام استفاده از دستگاه در جاهای خطرناک (مانند پمپ بنزین) بایستی به مقررات ایمنی مربوط توجه کرد. کاربرد دستگاه در مکانهای دارای خطر انفجار ممنوع است.
- ◀ دستگاه باید روی کف محکم و ثابت قرار گیرد.
- ◀ هنگام استفاده در مکانهای سرپوشیده به تهویه کافی توجه کنید. از خاموش بودن خودروها هنگام تمیزکاری مطمئن شوید (موتور را خاموش کنید).
- ◀ هنگام استفاده، دستگاه شوینده فشار قوی را با دو دست بگیرید. روی نردبان کار نکنید. هنگام کار روی بالکنها و سطوح مرتفع به قابل دید بودن همه گوشه ها توجه کنید.
- ◀ تنها از مواد تمیزکننده توصیه شده از طرف شرکت استفاده کنید. به نکات هشداردهنده، کاربری و مربوط به دفع از طرف تولید کننده توجه کنید.
- ◀ کاربرد سایر مواد تمیز کننده و شیمیایی ممکن است ایمنی دستگاه را مختل کند.
- ◀ تمام قسمتهای حامل جریان در محدوده کار بایستی در برابر وریاش آب مصون باشند.
- ◀ اهرم پیستوله نباید هنگام کار در حالت ON گیر کند.

- از دستگاه استفاده کنند.
- دستگاه نباید توسط کودکان یا جوانان بکار برده شود.
- ◀ هرگز به کودکان و سایر افراد دارای کاستیهای روحی و جسمی یا بدون تجربه یا آشنایی یا به اشخاص بدون اطلاع از روش کاربری اجازه استفاده از محصول را ندهید. مقررات مربوط به هر کشور می توانند سن کاربر را محدود کنند.
- ◀ کودکان باید زیر نظر باشند تا اطمینان حاصل شود که آنها با محصول بازی نمی کنند.
- ◀ دستگاه را در صورت روشن بودن نباید بدون نظارت رها کرد.
- ◀ آب جاری از نازل فشار قوی، ضربه برگشتی تولید می کند. از اینرو پیستوله و میله آب پاش را با هر دو دست محکم نگهدارید.
- ◀ هرگز از نازل چرخان یا افشانک نقطه ای جهت تمیز کردن خودروها استفاده نکنید.

حمل و نقل

- ◀ قبل از حمل و نقل، دستگاه را خاموش و ایمن کنید.

سرویس و مراقبت

- ◀ قبل از انجام سرویس و تمیز کاری و نیز تعویض متعلقات، دستگاه را خاموش کنید. چنانچه دستگاه با ولتاژ شبکه، تغذیه می شود، دوشاخه را بکشید.
- ◀ تعمیرات و سرویس باید تنها توسط خدمات پس از فروش

شیمیایی یا مواد مضر برای محیط زیست نمی باشند. توصیه می کنیم، مواد شوینده را دور از دسترس کودکان قرار دهید. در صورت تماس چشم با مواد شوینده فوراً چشم را با آب بشویید، در صورت خوردن سریع به پزشک مراجعه کنید.

◀ از شوینده فشار قوی هرگز بدون فیلتر، با فیلتر کثیف یا آسیب دیده استفاده نکنید.

- در صورت استفاده از دستگاه بدون فیلتر یا با فیلتر آسیب دیده یا کثیف، ضمانت از بین می رود.
- ◀ قسمت‌های فلزی ممکن است پس از کاربرد طولانی داغ شوند. در صورت نیاز از دستکش ایمنی استفاده کنید.

- ◀ در صورت بد بودن هوا بخصوص هنگام رعد و برق با شوینده فشار قوی کار نکنید.
- ◀ در برابر ورپاش آب از لباس محافظ مناسب استفاده کنید. از دستگاه در حضور اشخاص استفاده نکنید، جز اینکه آنها مجهز به لباس محافظ باشند.

کاربری

- ◀ کاربر باید از محصول مطابق مقررات استفاده کند. به وضعیت محل کار توجه کنید. هنگام کار کاملاً به اشخاص توجه کنید، بخصوص کودکان.
- ◀ تنها افرادی که با روش کاربری دستگاه توجیه شده اند یا گواهی دال بر توانایی کار کردن با دستگاه را دارند، می توانند

معنی	علامت
مسیر یا جهت عکس العمل	
وزن	
روشن	
خاموش	
فشار کم	Lo
فشار زیاد	Hi
متعلقات	

ابزارآلات برقی مجاز بوش انجام شوند.


متعلقات و قطعات یدکی
 فقط باید از متعلقات و قطعات یدکی استفاده کرد که توسط سازنده مجاز شناخته شده اند. متعلقات و قطعات یدکی اصل، کارایی بی نقص دستگاه را تضمین می کنند.

موارد استفاده از دستگاه

این دستگاه جهت تمیز کردن (شستن) سطوح و اشیاء در محوطه بیرون، دستگاهها، خودروها و قایقها در نظر گرفته شده است، مادامی که متعلقات متناسب و مواد شوینده مجاز بوش استفاده شوند. استفاده از دستگاه طبق دستورات در یک محیط با یک دمای بین 0 و 40 میسر است. این محصول تنها برای مصارف خانگی در نظر گرفته شده است. هنگام کار، دستگاه را محکم بگیرید. دستگاه بایستی همانند تصویر در دفترچه راهنما هنگام قرار گرفتن روی زمین حالت عمودی داشته باشد.

علامت ها

علامتهای ذیل برای استفاده از چاروبرقی مهم می باشند. لطفا این علائم و معانی آنها را به خاطر بسپارید. فهم درست این علائم به شما جهت استفاده ی درست و ایمن از محصول کمک می کند.

معنی	علامت
مسیر یا جهت حرکت	

مشخصات فنی

دستگاه شوینده فشار قوی	
EasyAquatank 100	شماره فنی
3 600 HA7 E..	ورودی نامی
1.1	kW
40	°C
5.5	l/min
10	MPa
6.7	MPa
4.5	l/min
1	MPa
●	عملکرد توقف خودکار
3.5	kg
	وزن مطابق استاندارد EPTA-Procedure 01:2014
II/□	کلاس ایمنی
رجوع شود به شماره سری (برچسب) روی دستگاه شوینده فشار قوی	شماره فنی/شماره سری

مقادیر برای ولتاژ نامی [U] 230 ولت میباشند. برای ولتاژهای مختلف و تولیدات مخصوص کشورها، ممکن است این مقادیر، متفاوت باشند.

کردش های استارت و راه اندازی باعث افت ولتاژ برای زمان کوتاه میشوند. تحت شرایط نامساعد شبکه برق، امکان بروز اختلال در عملکرد سایر دستگاه ها وجود دارد. با امپراژ کمتر از 0,153 اهم اختلالی مشاهده نمی شود. در صورت تردید به مسوول شبکه برق خود مراجعه کنید.

نحوه نصب و کاربرد

صفحه	تصویر	تصویر/ هدف کاربری
29	A	محتویات ارسالی
30	B	نصب شلنگ فشار قوی/ پیستوله
30	C	شیر آب
31	D	اتصال بطری ماده شوینده
32	E	نحوه روشن و خاموش کردن
32	F	تنظیم فشار آب خروجی
33	G	تنظیم زاویه کاری
		راهنمائی های عملی
34	H	نحوه تمیز کردن نازل
34	I	نحوه تمیز کردن فیلتر
35	J	نگهداری
36	K	نحوه انتخاب متعلقات

تذکر برای محصولات که در انگلیس فروخته نمی شوند:

توجه: برای ایمنی شما لازم است که دوشاخه روی ابزار باغبانی به کابل رابط وصل باشد. اتصال کابل رابط بایستی در مقابل پاشیدن آب مصون باشد، از جنس لاستیک باشد یا روکش لاستیکی داشته باشد. کابل رابط باید با یک مهره مهار کشش بکار برده شود.

توجه کنید که این دستگاه را نباید بدون آب بکار برد.

طرز کار

◀ توجه کنید که این دستگاه را نباید بدون آب بکار برد.

نحوه روشن کردن

شلنگ آب (ارسال نمی شود) را به شیر آب و دستگاه وصل کنید.

مطمئن شوید که کلید در حالت „0“ قرار دارد و دستگاه را به پریز برق بزنید.

شیر آب را باز کنید.

قفل کلید (کلید پشتی روی دسته پیستوله) را فعال کنید تا ماشه را آزاد کنید. ماشه را کاملا فشار دهید تا آب یکنواخت جاری شود و هیچ هوایی در دستگاه و شلنگ فشار قوی وجود نداشته باشد. ماشه را رها کنید. قفل کلید (کلید جلویی روی دسته پیستوله) را فعال کنید.

کلید برق را بچرخانید. پیستوله را به پایین بگیرید. قفل کلید را فعال کنید تا ماشه آزاد شود. ماشه را کاملا فشار دهید.

عملکرد توقف خودکار

دستگاه، موتور را به محض رها کردن ماشه روی دسته پیستوله خاموش می کند.

راهنمائی های عملی

عمومی

مطمئن شوید که دستگاه شوینده فشار قوی روی سطح صاف قرار گرفته است.

با شلنگ فشار قوی زیاد به جلو نروید و دستگاه شوینده فشار قوی را با شلنگ نکشید. این باعث می شود که دستگاه شوینده فشار قوی دیگر ثابت نباشد و واژگون شود.

شلنگ فشار قوی را خم نکنید و با ماشین از روی آن رد نشوید. شلنگ فشار قوی را از لبه های تیز مصون بدارید.

راهنمائی های عملی جهت کار با مواد شوینده

◀ تنها از مواد شوینده ای استفاده کنید که منحصرا برای دستگاه شوینده فشار قوی مناسب هستند.

نحوه کاربرد دستگاه

برای ایمنی شما

توجه! ابزار برقی را قبل از سرویس یا تمیز کاری خاموش کنید و دوشاخه آنرا از پریز بیرون بکشید. همین کار را در صورت بریدگی، آسیب دیدگی یا کلافه شدن کابل دستگاه انجام دهید.



ولتاژ کاری برابر است با 230 V AC, 50 Hz (برای کشورهای غیر اروپایی 220 V). تنها از کابل رابط مجاز استفاده کنید. اطلاعات مربوط را از نمایندگی مجاز بوش (خدمات پس از فروش) کسب کنید.

چنانچه هنگام کار با دستگاه شوینده فشار قوی از یک کابل رابط استفاده می کنید، کابلهای چند رشته ای زیر لازم هستند:

- 2,5 میلیمتر² تا حداکثر 25 متر طول

تذکر: در صورت استفاده از کابل رابط بایستی کابل همانطور که در دستورات ایمنی ذکر شد، دارای محافظ ارت باشد که از طریق دوشاخه به محافظ ارت سیستم الکتریکی شما متصل است.

در موارد مشکوک به یک متخصص برقی یا نمایندگی مجاز بوش در نزدیکی خود مراجعه کنید.

احتیاط: کابل رابط غیر استاندارد

ممکن است خطر ساز باشد. کابل رابط، دوشاخه و مادگی بایستی ضد آب و مناسب با محیط بیرون باشند.



اتصالات کابل (پریز و دوشاخه) بایستی خشک باشند و روی زمین قرار نگیرند.

جهت افزایش ایمنی از یک کلید (RCD) FI (با جریان خطای حداکثر 30 میلی آمپر استفاده شود. این کلید FI بایستی قبل از هر بار کار کنترل شود.

در صورت معیوب بودن کابل اتصال باید آنرا فقط توسط تعمیرگاه های مجاز و خدمات پس از فروش ابزارالات برقی بوش تعمیر کرد.

- شلنگ مکش قوی 3 متری
 - کوپلینگ اونیورسال برای شوینده ی فشار قوی با این متعلقات می توان با شوینده ی قوی آب را نیم متر بالاتر از سطح آب مکید. این کار ممکن است 15 ثانیه طول بکشد.
 شلنگ 3 متری را کاملا زیر آب کنید تا هوا نگیرد.
 شلنگ مکنده را به شوینده ی فشار قوی متصل کنید و مطمئن شوید که توری مکش زیر آب بماند.
 بگذارید شوینده ی فشار قوی با پیستوله برداشته شده کار کند تا آب به طور منظم از شوینده جاری گردد. چنانچه پس از 25 ثانیه هیچ آبی جاری نشد، آن را خاموش و تمام اتصالات را کنترل کنید. در صورت جاری شدن آب، شوینده ی فشار قوی را خاموش کنید و جهت کار پیستوله و نازل آبپاش را وصل کنید.
 مهم است که شلنگ و کوپلها کیفیت خوبی داشته باشند، آب بندی متصل شده و واشرها سالم و درست قرار گرفته باشند. اتصالات آب بندی نشده می توانند مکش را دچار اختلال کنند.

ظروف (بشکه) آب دارای شیر تخلیه

چنانچه شوینده ی فشار قوی به یک تانکر دارای شیر تخلیه ی مناسب متصل شده باشد، بایستی اول یک شلنگ آب (ارسال نمی شود) به شیر وصل کرد. شیر را باز کنید، تا همه ی هوای درون شلنگ بیرون رود و سپس آن را به شوینده ی فشار قوی متصل نمایید.

به خاطر حفظ محیط زیست توصیه می کنیم در مصرف مواد شوینده صرفه جویی کنید. به توصیه های موجود روی ظروف جهت رقیق کردن توجه کنید.
 نازل فشار قوی ارسالی با این محصول دارای یک تنظیم کننده جهت تنظیم مواد شوینده می باشد. تنظیم بر اساس نیاز انجام می شود.

روش تمیز کردن پیشنهادی

گام اول: آلودگی های اصلی را بزدایید.
گام دوم: بطری مایع شوینده را نصب و با آن کمی کف کنید.
گام سوم: توسط نازل افشانک پهن، آلودگی های جدا شده و مایع شوینده را بشویید.
تذکر: هنگام تمیز کردن سطوح عمودی توسط مواد شوینده از پایین شروع کنید و به طرف بالا کار کنید. هنگام آب گرفتن از بالا به پایین کار کنید.

استفاده در آبهای دیگر

این شوینده ی فشار قوی خود مکنده است و با آن می توان آب را از ظروف یا چشمه های طبیعی کشید. بسیار مهم، که فیلتر بوش روی ورودی آب پاک شده و نصب باشد و تنها آب تمیز مکیده شود.

تانکرهای باز/ظروف و آبهای طبیعی

از متعلقات خود مکنده ی شامل زیر استفاده کنید:
 - توری مکش با سوپاپ ضربه به عقب

جستجوی خطا

ایرادها	دلیل ممکن	راهنمایی
موتور راه نمی افتد	دوشاخه وصل نیست	دوشاخه را وصل کنید
	پریز خراب است	از پریز دیگر استفاده کنید
	فیوز پریده است	فیوز را تعویض کنید
	کابل رابط آسیب دیده است	بدون کابل رابط امتحان کنید
	محافظ موتور فعال شده است	بگذارید موتور برای 15 دقیقه خنک شود
	یخ زده است	بگذارید یخ پمپ، شلنگ آب یا متعلقات آب شود
موتور متوقف می شود	فیوز پریده است	فیوز را عوض کنید
	ولتاژ کافی نیست	ولتاژ شبکه را کنترل کنید، بایستی با مقدار مندرج روی برچسب دستگاه مطابق باشد
	محافظ موتور فعال شده است	بگذارید موتور برای 15 دقیقه خنک شود
فیوز می پرد	فیوز ضعیف است	به منبع جریان برقی وصل کنید که با توان دستگاه شوینده فشار قوی مطابقت دارد
موتور کار می کند ولی فشار وجود ندارد	نازل کمی گرفته است	نازل را تمیز کنید
صدای موتور می آید ولی کارایی وجود ندارد	ولتاژ کافی نیست	کنترل کنید که ولتاژ برق شبکه با مقدار مندرج روی برچسب دستگاه مطابق باشد
	ولتاژ به دلیل استفاده کابل رابط خیلی کم است	کنترل کنید که کابل رابط مناسب باشد
	دستگاه مدت طولانی بدون استفاده مانده است	به یکی از تعمیرگاه های مجاز و خدمات پس از فروش ابزارآلات برقی بوش مراجعه کنید

ایرادها	دلیل ممکن	راهنمایی
مشکلات در مورد عملکرد توقف خودکار	به یکی از تعمیرگاه های مجاز و خدمات پس از فروش ابزارآلات برقی بوش مراجعه کنید	
فشار ضربان دار	وجود هوا در شلنگ آب یا پمپ	بگذارید دستگاه شوینده فشار قوی با پیستوله باز، شیر باز و روی نازل فشار کم کار کند تا فشار متعادل کاری بدست آید
تأمین آب صحیح نیست		کنترل کنید که شیر آب با مندرجات در بخش مشخصات فنی مطابق باشد. کوچکترین شلنگهای قابل استفاده عبارتند از "1/2" یا Ø 13 mm
فیلتر آب گرفته است		فیلتر آب را تمیز کنید
شلنگ آب خم شده یا گره خورده است		شلنگ آب را صاف کنید
شلنگ فشار قوی خیلی بلند است		رابط شلنگ فشار قوی را جدا کنید، حداکثر طول شلنگ 7 متر است
فشار متعادل ولی خیلی کم است نکته: یکی از متعلقات خاص باعث کم کردن فشار می شود	نازل فرسوده شده است سوپاپ استارت/توقف فرسوده شده است	نازل را عوض کنید ماشه را 5 بار پشت سر هم فعال کنید
موتور کار می کند ولی فشار محدود است یا فشار کاری وجود ندارد	آب وصل نیست فیلتر گرفته است نازل گرفته است	آب را وصل کنید نحوه تمیز کردن فیلتر نازل را تمیز کنید
دستگاه شوینده فشار قوی خود به خود روشن می شود	پمپ یا پیستوله، آب بندی نیستند	به یکی از تعمیرگاه های مجاز و خدمات پس از فروش ابزارآلات برقی بوش مراجعه کنید
دستگاه آب بندی نیست	پمپ، آب بندی نیست	کم شدن (تبخیر) مقادیر کم آب عادی است؛ در صورت کاهش زیاد آب به نمایندگی مراجعه کنید

مراقبت و سرویس

سرویس

◀ قبل از هر کاری روی دستگاه، دوشاخه را بکشید و شیر آب را قطع کنید.

تذکر: جهت تضمین کارایی طولانی، دستگاه را در موارد زیر سرویس کنید.

دستگاه را از لحاظ داشتن معایبی مانند شل بودن اتصالات و داشتن قسمتهای فرسوده یا آسیب دیده کنترل کنید.

کنترل کنید که سرپوشها و تجهیزات ایمنی بی عیب و صحیح نصب شده باشند. قبل از کار، سرویس و تعمیرهای احتمالی را انجام دهید.

در صورت نیاز به یک کابل پدکی برای اتصال به شبکه برق، بایستی به شرکت **Bosch** و یا به نمایندگی مجاز **Bosch** (خدمات پس از فروش) برای ابزار آلات برقی مراجعه کنید تا از بروز خطرات ایمنی جلوگیری بعمل آید.

پس از استفاده/نگهداری

کلید قطع و وصل را خاموش کنید و ماشه را فعال نمایید تا شلنگ فشار قوی را خالی کنید.

قسمتهای بیرونی دستگاه شوینده فشار قوی را به کمک یک برس نرم یا یک دستمال تمیز کنید. از آب، مواد حلال و ساینده نباید استفاده کنید. تمام آلودگیها را بزدايید، بخصوص شیارهای تهویه موتور را تمیز کنید.

نگهداری در انبار پس از اتمام فصل: همه آنها را از پمپ خارج کنید، بدین صورت که موتور را روشن می گذارید و ماشه را فعال می کنید.

هیچ جسمی را روی دستگاه قرار ندهید.

دستگاه را در محیط عاری از یخزدگی نگهداری کنید. مطمئن شوید که کابل، هنگام در انبار قرار دادن دستگاه گیر نکند. شلنگ فشار قوی را خم نکنید.

حفظ محیط زیست

مواد شیمیایی مضر برای محیط زیست نباید به زمین، آبراهها، برکه ها و رودها وارد شوند.

هنگام استفاده از مواد شوینده به مندرجات روی بسته و ترکیب توصیه شده توجه کنید.

هنگام تمیز کردن خودروها به مقررات محلی توجه کنید؛ باید از وارد شدن روغن پاشیده شده به آبراه جلوگیری کرد.

خدمات و مشاوره با مشتریان

خدمات مشتری، به سؤالات شما درباره تعمیرات، سرویس و همچنین قطعات یدکی پاسخ خواهد داد. نقشه‌های سه بعدی و اطلاعات مربوط به قطعات یدکی را در تارنمای زیر میبایید:

www.bosch-pt.com

گروه مشاوره به مشتریان Bosch با کمال میل به سؤالات شما درباره محصولات و متعلقات پاسخ می‌دهند.

برای هرگونه سؤال و یا سفارش قطعات یدکی، حتماً شماره فنی 10 رقمی کالا را مطابق برچسب روی ابزار برقی اطلاع دهید.

ایران

روبرت بوش ایران - شرکت بوش تجارت پارس
میدان ونک، خیابان شهید خدای، خیابان آفتاب
ساختمان مادیران، شماره 3، طبقه سوم.

تهران 1994834571

تلفن: 9821+ 42039000

آدرس سایر دفاتر خدماتی را در ادامه ببایید:

www.bosch-pt.com/serviceaddresses

از رده خارج کردن دستگاه

محصولات، متعلقات و بسته بندی آن، باید طبق مقررات حفظ محیط زیست از رده خارج و بازیافت شوند.

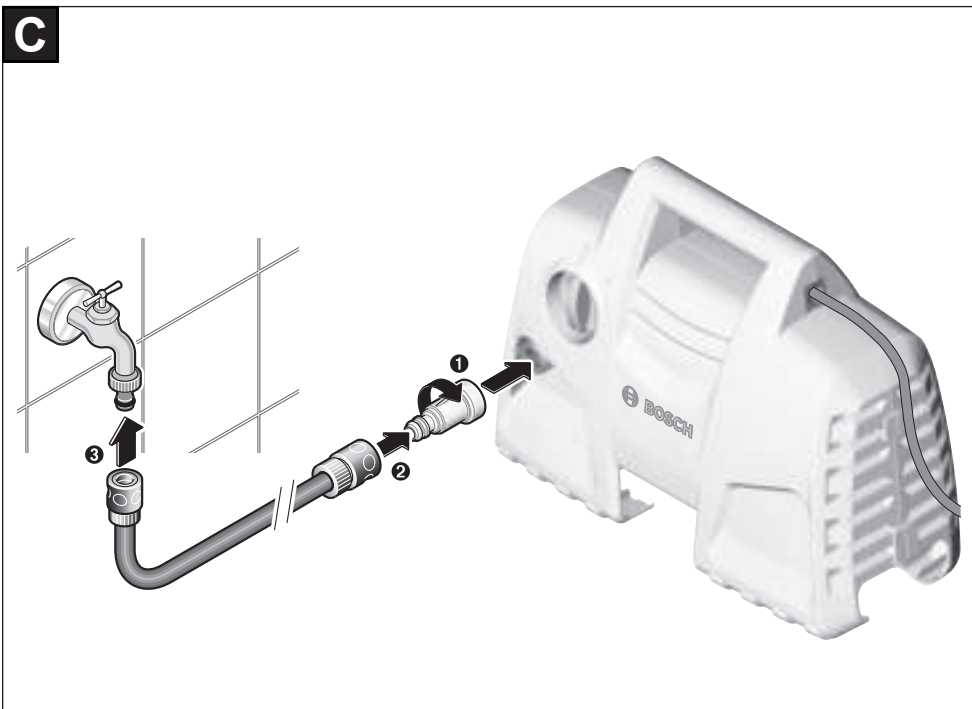
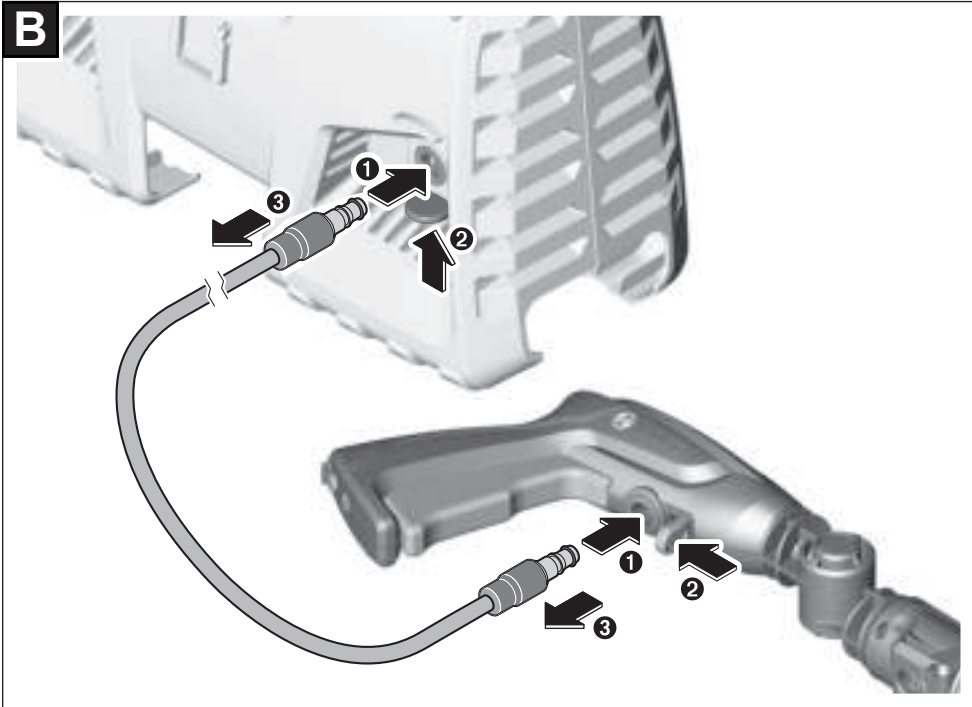
محصولات را داخل زباله دان خانگی
نیاندازید!

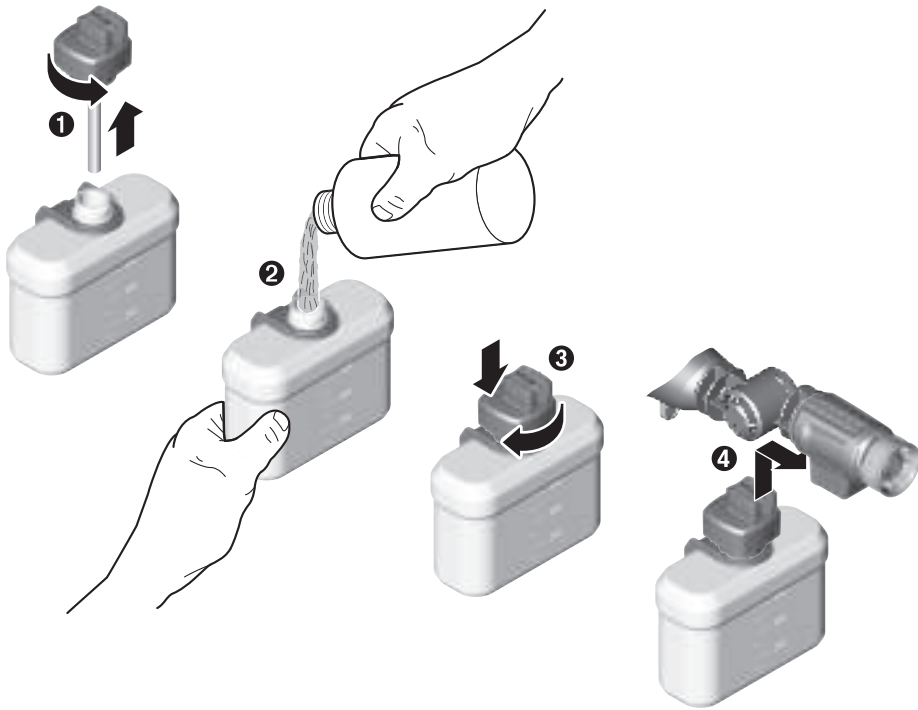


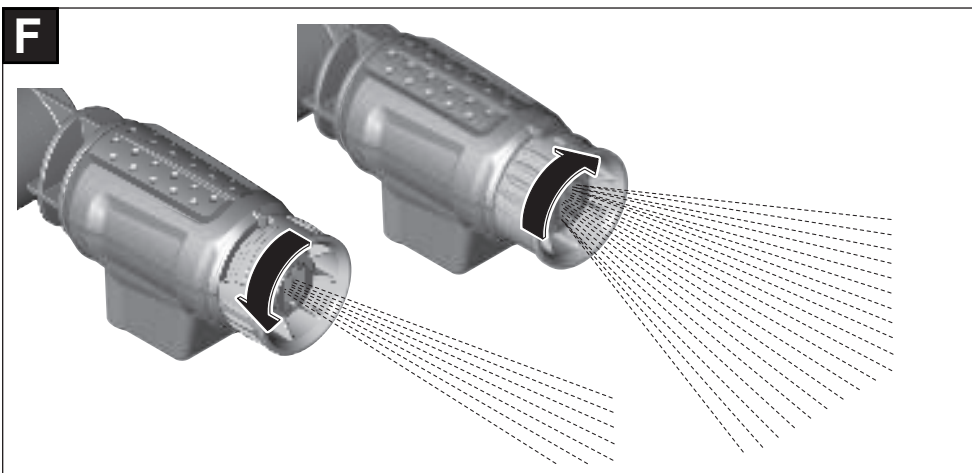
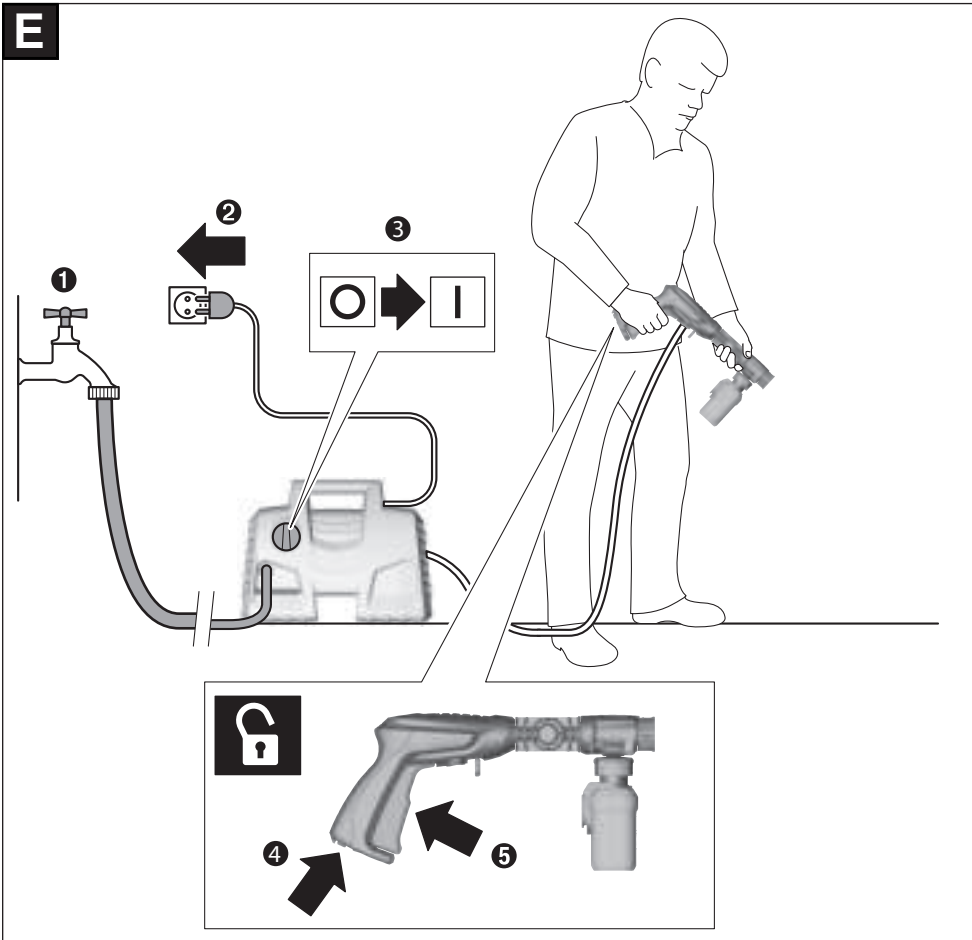
فقط برای کشورهای عضو اتحادیه اروپا:

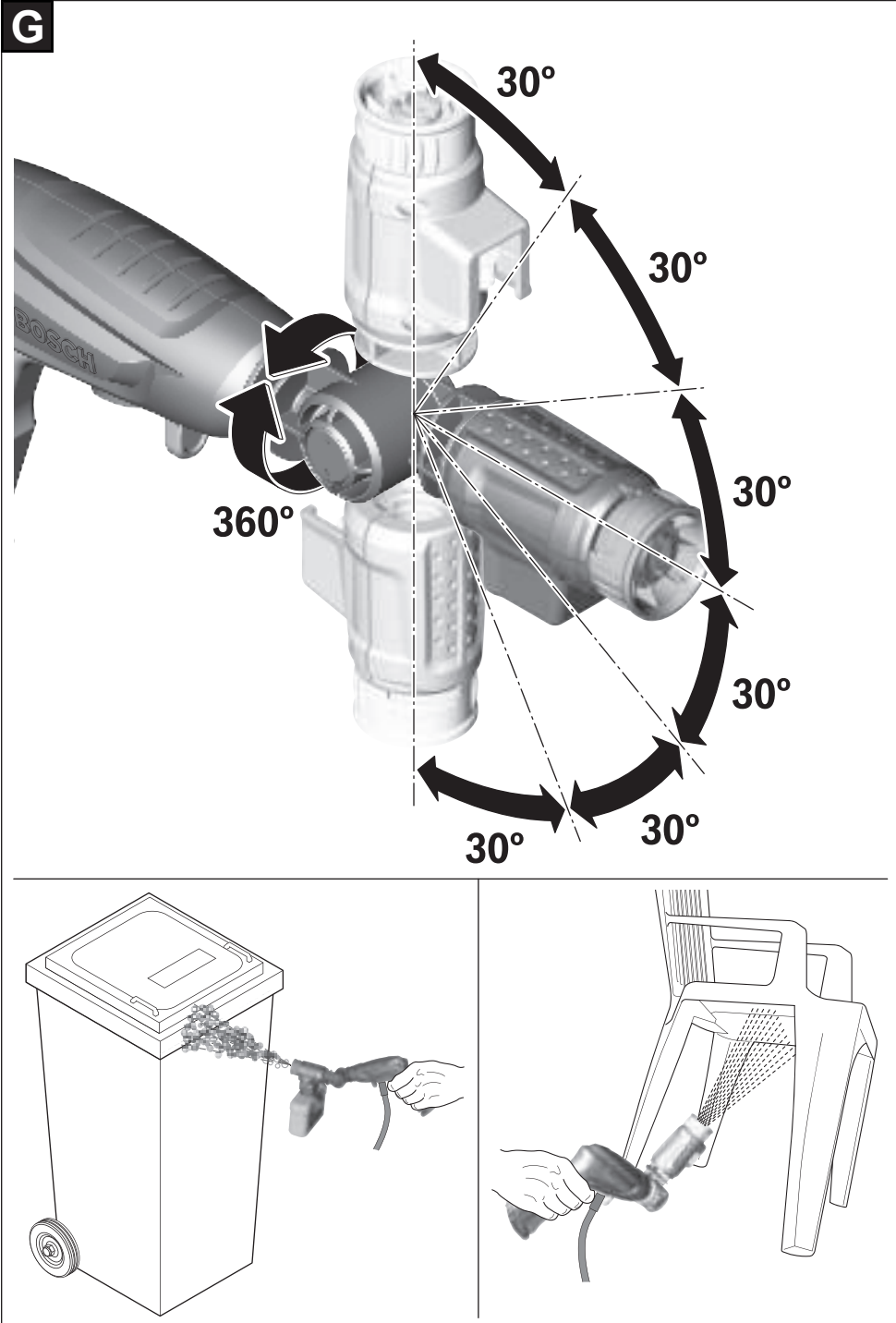
طبق آئین نامه و دستورالعمل اروپایی 2012/19/EU در باره دستگاه‌های کهنه الکتریکی و الکترونیکی و تبدیل آن به حق ملی، باید ابزارهای برقی غیرقابل استفاده را جداگانه جمع‌آوری کرد و نسبت به بازیافت مناسب با محیط زیست اقدام بعمل آورد.

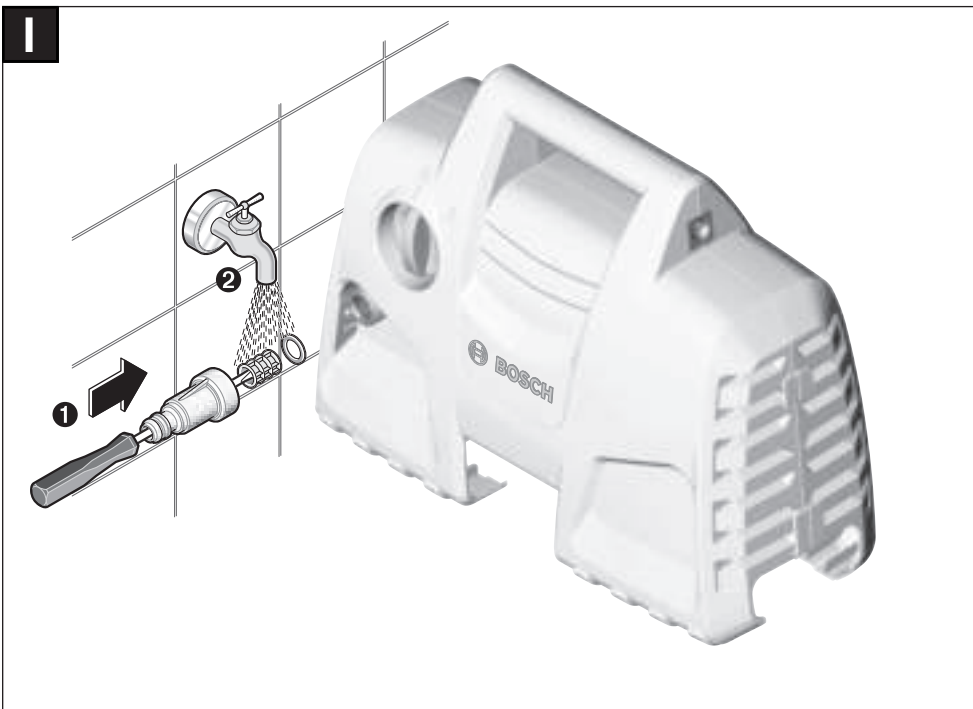
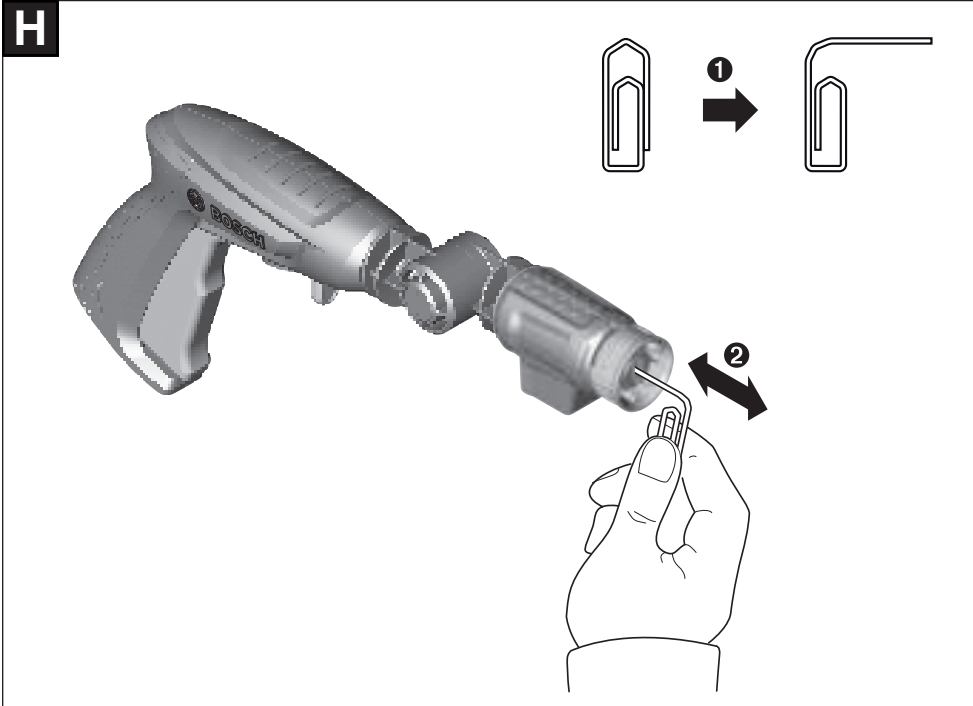


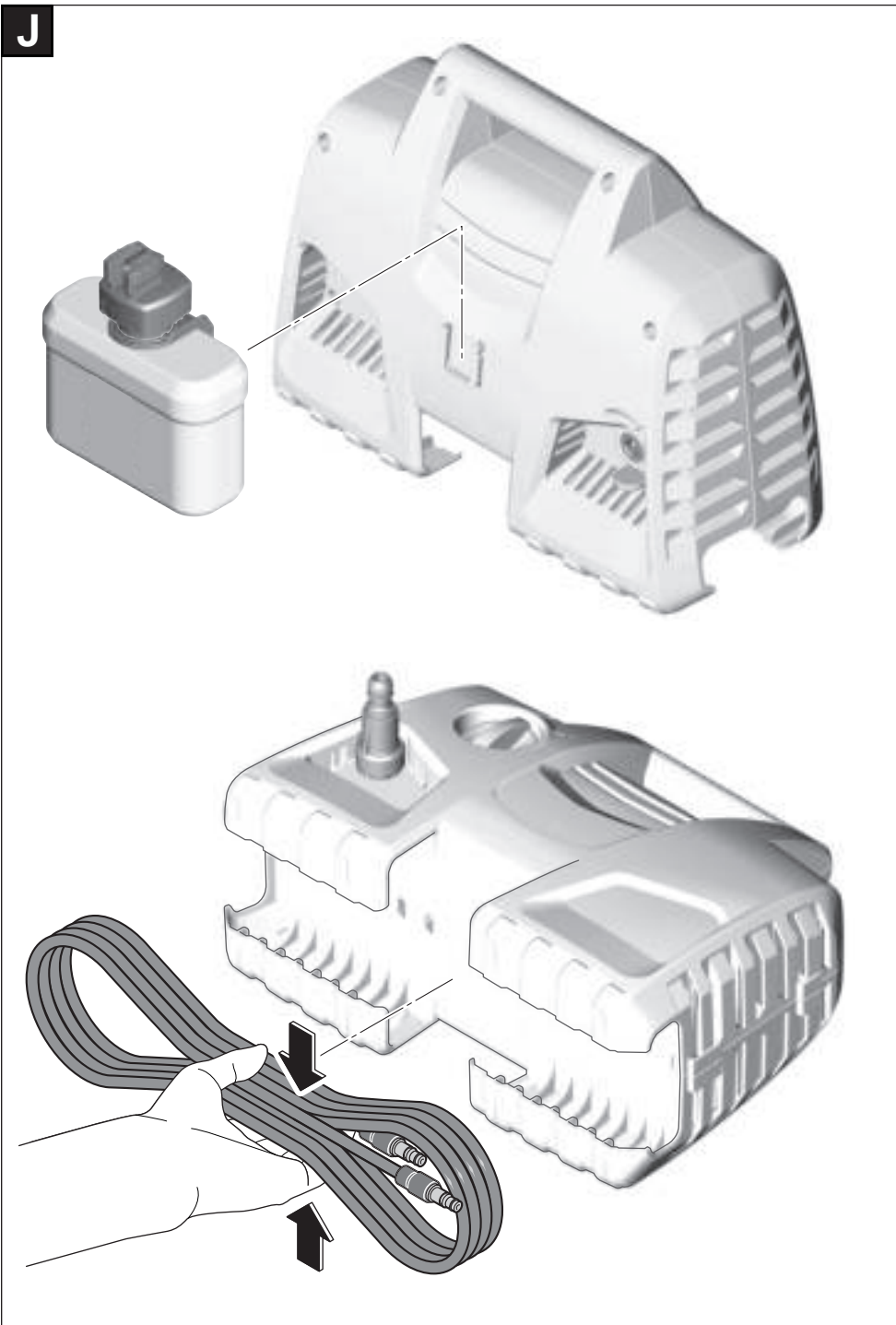


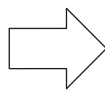
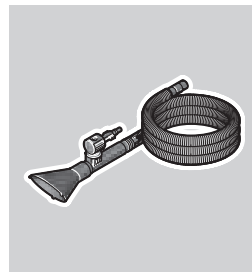
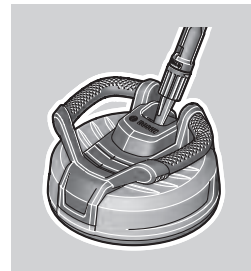
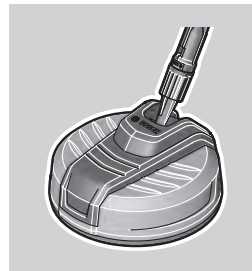
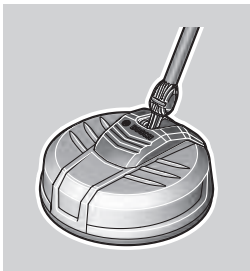
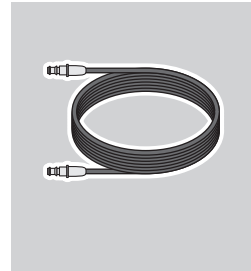
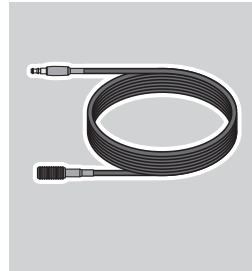
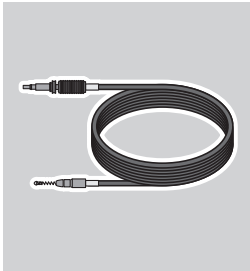
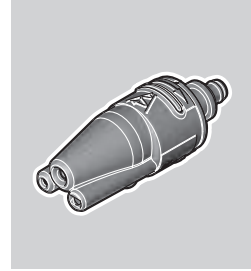
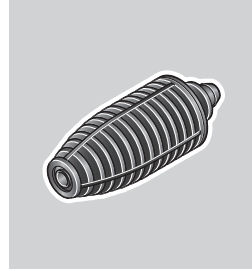
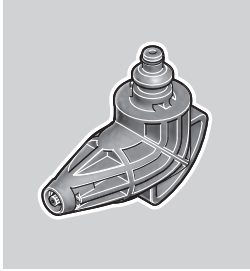
D







J

K

www.bosch-aqt.com

de	EU-Konformitätserklärung Hochdruckreiniger Sachnummer	Wir erklären in alleiniger Verantwortung, dass die genannten Produkte allen einschlägigen Bestimmungen der nachfolgend aufgeführten Richtlinien und Verordnungen entsprechen und mit folgenden Normen übereinstimmen.
en	EU Declaration of Conformity Pressure washer Article number	We declare under our sole responsibility that the stated products comply with all applicable provisions of the directives and regulations listed below and are in conformity with the following standards.
fr	Déclaration de conformité UE Nettoyeur haute pression N° d'article	Nous déclarons sous notre propre responsabilité que les produits décrits sont en conformité avec les directives, règlements normatifs et normes énumérés ci-dessous.
es	Declaración de conformidad UE Limpiadora de alta presión N° de artículo	Declaramos bajo nuestra exclusiva responsabilidad, que los productos nombrados cumplen con todas las disposiciones correspondientes de las Directivas y los Reglamentos mencionados a continuación y están en conformidad con las siguientes normas.
pt	Declaração de Conformidade UE Limpador de alta pressão N.º do produto	Declaramos sob nossa exclusiva responsabilidade que os produtos mencionados cumprem todas as disposições e os regulamentos indicados e estão em conformidade com as seguintes normas.
it	Dichiarazione di conformità UE Idropulitrice Codice prodotto	Dichiariamo sotto la nostra piena responsabilità che i prodotti indicati sono conformi a tutte le disposizioni pertinenti delle Direttive e dei Regolamenti elencati di seguito, nonché alle seguenti Normative.
nl	EU-conformiteitsverklaring Hogedrukreiniger Productnummer	Wij verklaren op eigen verantwoordelijkheid dat de genoemde producten voldoen aan alle desbetreffende bepalingen van de hierna genoemde richtlijnen en verordeningen en overeenstemmen met de volgende normen.
da	EU-overensstemmelseserklæring Højtryksrensers Typenummer	Vi erklærer som eneansvarlige, at det beskrevne produkt er i overensstemmelse med alle gældende bestemmelser i følgende direktiver og forordninger og opfylder følgende standarder.
sv	EU-konformitetsförklaring Högtryckstvätt Produktnummer	Vi förklarar under eget ansvar att de nämnda produkterna uppfyller kraven i alla gällande bestämmelser i de nedan angivna direktiven och förordningarna och att de stämmer överens med följande normer.
no	EU-samsvarserklæring Høytrykkspyler Produktnummer	Vi erklærer under eneansvar at de nevnte produktene er i overensstemmelse med alle relevante bestemmelser i direktivene og forordningene nedenfor og med følgende standarder.
fi	EU-vaatimustenmukaisuusvakuutus Painepesuri Tuotenumero	Vakuutamme täten, että mainitut tuotteet vastaavat kaikkia seuraavien direktiivien ja asetusten asiaankuuluvia vaatimuksia ja ovat seuraavien standardien vaatimusten mukaisia.
el	Δήλωση πιστότητας ΕΕ Πλυστικό μηχάνημα υψηλής πίεσης Αριθμός ευρετηρίου	Δηλώνουμε με αποκλειστική μας ευθύνη, ότι τα αναφερόμενα προϊόντα αντιστοιχούν σε όλες τις σχετικές διατάξεις των πιο κάτω αναφερόμενων οδηγιών και κανονισμών και ταυτίζονται με τα ακόλουθα πρότυπα.
tr	AB Uygunluk beyanı Yüksek basınçlı temizleyici Ürün kodu	Tek sorumlu olarak, tanımlanan ürünün aşağıdaki yönetmelik ve direktiflerin geçerli bütün hükümlerine ve aşağıdaki standartlara uygun olduğunu beyan ederiz.
pl	Deklaracja zgodności UE Myjka wysokociśnieniowa Numer katalogowy	Oświadczamy z pełną odpowiedzialnością, że niniejsze produkty odpowiadają wszystkim wymaganiom poniżej wyszczególnionych dyrektyw i rozporządzeń, oraz że są zgodne z następującymi normami.

cs	EU prohlášení oshodě Vysokotlaký čistič	Objednací číslo	Prohlašujeme na výhradní zodpovědnost, že uvedený výrobek splňuje všechna příslušná ustanovení níže uvedených směrníc a nařízení a je v souladu následujícími normami.*
sk	EÚ vyhlásenie ozhode Vysokotlakový čistič	Vecné číslo	Vyhlasujeme na výhradnú zodpovednosť, že uvedený výrobok spĺňa všetky príslušné ustanovenia nižšie uvedených smerníc a nariadení a je v súlade nasledujúcimi normami:
hu	EU konformitási nyilatkozat Nagynyomású tisztító	Cikkszám	Egyedüli felelősséggel kijelentjük, hogy a megnevezett termék megfelelnek az alábbiakban felsorolásra kerülő irányelvek és rendeletek valamennyi idevágó előírásainak és megfelelnek a következő szabványoknak.
ru	Заявление о соответствии ЕС Очиститель высокого давления	Товарный №	Мы заявляем под нашу единоличную ответственность, что названные продукты соответствуют всем действующим предписаниям нижеуказанных директив и распоряжений, а также нижеуказанных норм.
uk	Заява про відповідність ЄС Очищувач високого тиску	Товарний номер	Ми заявляємо під нашу одноособову відповідальність, що названі вироби відповідають усім чинним положенням нижчеозначених директив і розпоряджень, а також нижчеозначеним нормам.
kk	EO сәйкестік мағлұмдамасы Жоғары қысым тазалағыш	Өнім нөмірі	Өз жауапкершілікпен біз аталған өнімдер төменде жазылған директикалар мен жарлықтардың тиісті қағидаларына сәйкестігін және төмендегі нормаларға сай екенін білдіреміз.
ro	Declarație de conformitate UE Mașină de curățat cu înaltă presiune	Număr de identificare	Declarăm pe proprie răspundere că produsele menționate corespund tuturor dispozițiilor relevante ale directivelor și reglementărilor enumerate în cele ce urmează și sunt în conformitate cu următoarele standarde.
bg	ЕС декларация за съответствие Водоструйна машина	Каталожен номер	С пълна отговорност ние декларираме, че посочените продукти отговарят на всички валидни изисквания на директивите и разпоредбите по-долу и съответства на следните стандарти.
mk	EU-Изјава за сообразност Високопритисна пералка	Број на дел/артикул	Со целосна одговорност изјавуваме, дека опишаните производи се во согласност со сите релевантни одредби на следните регулативи и прописи и се во согласност со следните норми.
sr	EU-izjava o usaglašenosti Čistač visokog pritiska	Broj predmeta	Na sopstvenu odgovornost izjavljujemo, da navedeni proizvodi odgovaraju svim dotičnim odredbama naknadno navedenih smernica u uredaba i da su u skladu sa sledećim standardima.
sl	Izjava o skladnosti EU Visokotlačni čistilec	Številka artikla	Izjavljamo pod izključno odgovornostjo, da je omenjen izdelek v skladu z vsemi relevantnimi določili direktiv in uredb ter ustreza naslednjim standardom.
hr	EU izjava o sukladnosti Visokotlačni uređaj za čišćenje	Kataloški br.	Pod punom odgovornošću izjavljujemo da navedeni proizvodi odgovaraju svim relevantnim odredbama direktiva i propisima navedenima u nastavku i da su sukladni sa sledećim normama.
et	EL-vastavusdeklaratsioon Kõrgsurvepesur	Tootenumber	Kinnitame ainuvastutatatena, et nimetatud tooted vastavad järgnevalt loetletud direktiivide ja määruste kõikidele asjaomastele nõuetele ja on kooskõlas järgmistele normidega.
lv	Deklarācija par atbilstību ES standartiem Augstspiediena tīrītājs	Izstrādājuma numurs	Mēs ar pilnu atbildību paziņojam, ka šeit aplūkotie izstrādājumi atbilst visiem tālāk minētajās direktīvās un rīkojumos ietvertajām saistošajām nostādņēm, kā arī sekojošiem standartiem.
lt	ES atitikties deklaracija Didžiaslėgis plovimo įrenginys	Gaminio numeris	Atsakingai pareiškiamo, kad išvardyti gaminiai atitinka visus privalomus žemiau nurodytų direktyvų ir reglamentų reikalavimus ir šiuos standartus.

EasyAquatak 100**3 600 HA7 E..**

2011/65/EU
2014/30/EU
2006/42/EC
2000/14/EC
EN 60335-1:2012+A11+A13+A1+A2+A14:2019
EN 60335-2-79:2012
EN 55014-1:2017+A11:2020
EN 55014-2:2015
EN IEC 61000-3-2:2019
EN 61000-3-3:2013+A1:2019
EN IEC 63000:2018

de	2000/14/EG: Gemessener Schallleistungspegel 91 dB(A) , Unsicherheit K = 3.0 dB , garantierter Schallleistungspegel 95 dB(A) ; Bewertungsverfahren der Konformität gemäß Anhang V . Produktkategorie: 27 Technische Unterlagen bei: *
en	2000/14/EC: Measured sound power level 91 dB(A) , uncertainty K = 3.0 dB , guaranteed sound power level 95 dB(A) ; Conformity assessment procedure in accordance with annex V . Product category: 27 Technical file at: *
fr	2000/14/CE : niveau de puissance acoustique mesuré 91 dB(A) , incertitude K = 3.0 dB , niveau de puissance acoustique garanti 95 dB(A) ; procédure d'évaluation de conformité selon l'annexe V . Catégorie de produit : 27 Dossier technique auprès de : *
es	2000/14/CE: nivel medido de la potencia acústica 91 dB(A) , tolerancia K = 3.0 dB , nivel garantizado de la potencia acústica 95 dB(A) ; método de evaluación de la conformidad según anexo V . Categoría de producto: 27 Documentos técnicos de: *
pt	2000/14/CE: Nível de potência acústica medido 91 dB(A) , insegurança K = 3.0 dB , nível de potência acústica garantido 95 dB(A) ; processo de avaliação da conformidade de acordo com o anexo V . Categoria de produto: 27 Documentação técnica pertencente à: *
it	2000/14/CE: livello di potenza sonora misurato 91 dB(A) , incertezza K = 3.0 dB , livello di potenza sonora garantito 95 dB(A) ; procedimento di valutazione della conformità secondo l'Allegato V . Categoria prodotto: 27 Documentazione Tecnica presso: *
nl	2000/14/EG: gemeten geluidsvermogensniveau 91 dB(A) , onzekerheid K = 3.0 dB , gegarandeerd geluidsvermogensniveau 95 dB(A) ; beoordelingsmethode van de overeenstemming volgens bijlage V . Productcategorie: 27 Technisch dossier bij: *
da	2000/14/EF: Målt lydeffektniveau 91 dB(A) , usikkerhed K = 3.0 dB , garanteret lydeffektniveau 95 dB(A) ; overensstemmelsesvurderingsprocedure som omhandlet i bilag V . Produktkategori: 27 Tekniske bilag ved: *
sv	2000/14/EG: Uppmått bullernivå 91 dB(A) , osäkerhet K = 3.0 dB , garanterad bullernivå 95 dB(A) ; konformitetens bedömningsmetod enligt bilaga V . Produktkategori: 27 Teknisk dokumentation: *
no	2000/14/EC: Målt lydeffektnivå 91 dB(A) , usikkerhet K = 3.0 dB , garantert lydeffektnivå 95 dB(A) ; samsvarsvurderingsmetode i henhold til vedlegg V . Produktkategori: 27 Teknisk dokumentasjon hos: *
fi	2000/14/EY: mitattu äänitehotaso 91 dB(A) , epävarmuus K = 3.0 dB , taattu äänitehotaso 95 dB(A) ; vaatimustenmukaisuuden arviointimenetelmä liitteen V mukaisesti. Tuotekategoria: 27 Tekniset asiakirjat saatavana: *
el	2000/14/EK: Μετρημένη στάθμη ηχητικής ισχύος 91 dB(A) , ανασφάλεια K = 3.0 dB , εγγυημένη στάθμη ηχητικής ισχύος 95 dB(A) . Διαδικασία αξιολόγησης της πιστότητας σύμφωνα με το παράρτημα V . Κατηγορία προϊόντος: 27 Τεχνικά έγγραφα στη: *
tr	2000/14/EC: Ölçülen ses gücü seviyesi 91 dB(A) , tolerans K = 3.0 dB , garanti edilen ses gücü seviyesi 95 dB(A) ; uygunluk değerlendirme yöntemi ek V uyarınca. Ürün kategorisi: 27 Teknik belgelerin bulunduğu yer: *
pl	2000/14/WE: pomierzony poziom mocy akustycznej 91 dB(A) , niepewność K = 3.0 dB , gwarantowany poziom mocy akustycznej 95 dB(A) ; procedura oceny zgodności zgodnie z załącznikiem V . Kategoria produktów: 27 Dokumentacja techniczna: *
cs	2000/14/ES: změněná hladina akustického výkonu 91 dB(A) , nejistota K = 3.0 dB , zaručená hladina akustického výkonu 95 dB(A) ; metoda posouzení shody podle dodatku V . Kategorie výrobku: 27 Technické podklady u: *

sk	2000/14/ES: odmeraná hladina akustického výkonu 91 dB(A) , neistota K = 3.0 dB , zaručená hladina akustického výkonu 95 dB(A) ; metóda posúdenia zhody podľa dodatku V . Kategória výrobu: 27 Technické podklady má spoločnosť: *
hu	2000/14/EK: Mért hangteljesítmény-szint 91 dB(A) , szórási K = 3.0 dB , garantált hangteljesítmény-szint 95 dB(A) ; a konformitás kiértékelési eljárást lásd a V Függelékben. Termékkategória: 27 Műszaki dokumentumok megőrzési pontja: *
ru	2000/14/ЕС: Измеренный уровень звуковой мощности 91 дБ(А) , погрешность K = 3.0 дБ , гарантированный уровень звуковой мощности 95 дБ(А) ; процедура оценки соответствия согласно приложения V . Категория продукта: 27 Техническая документация хранится у: *
uk	2000/14/EC: виміряна звукова потужність 91 дБ(А) , похибка K = 3.0 дБ , гарантована звукова потужність 95 дБ(А) ; процедура оцінки відповідності відповідно до додатку V . Категорія продукту: 27 Технічна документація зберігається у: *
kk	2000/14/EC: Өлшелген дыбыс қаттылығы 91 дБ(А) , дәлсіздік K = 3.0 дБ , кепілденген дыбыс қаттылығы 95 дБ(А) ; Сәйкестікті анықтау әдісі V тіркелгісі бойынша. Өнім санаты: 27 Техникалық құжаттар: *
ro	2000/14/CE: Nivel măsurat al puterii sonore 91 dB(A) , incertitudine K = 3.0 dB , nivel garantat al puterii sonore 95 dB(A) ; procedură de evaluare a conformității potrivit Anexei V . Categorie produse: 27 Documentație tehnică la: *
bg	2000/14/EO: измерено ниво на звуковата мощност 91 dB(A) , неопределеност K = 3.0 dB , гарантирано ниво на мощността на звука 95 dB(A) ; метод за оценка на съответствието съгласно приложение V . Категория продукт: 27 Техническа документация при: *
mk	2000/14/EC: Измерено ниво на звучна јачина 91 dB(A) , несигурност K = 3.0 dB , загарантирано ниво на звучна јачина 95 dB(A) ; постапка за процена на сообразноста според прилог V . Категорија на производ: 27 Техничка документација кај: *
sr	2000/14/EC: izmereni nivo ostvarene buke 91 dB(A) , nepouzdanost K = 3.0 dB , garantovani nivo ostvarene buke 95 dB(A) ; postupak ocenjivanja usaglašenosti prema prilogu V . Kategorija proizvoda: 27 Tehnička dokumentacija kod: *
sl	2000/14/ES: Izmerjena raven zvočne moči 91 dB(A) , negotovost K = 3.0 dB , zagotovljena raven zvočne moči 95 dB(A) ; postopek za presojo skladnosti v skladu s prilogo V . Kategorija izdelka: 27 Tehnična dokumentacija pri: *
hr	2000/14/EZ: Izmjerena razina učinka buke 91 dB(A) , nesigurnost K = 3.0 dB , zajamčena razina učinka buke 95 dB(A) ; postupak ocjenjivanja sukladnosti prema dodatku V . Kategorija proizvoda: 27 Tehnička dokumentacija se može dobiti kod: *
et	2000/14/EÜ: Mõõdetud helivõimsustase 91 dB(A) , mõõtemääramatus K = 3.0 dB , garanteeritud helivõimsustase 95 dB(A) ; vastavuse hindamise meetod vastavalt lisale V . Tootekategooria: 27 Tehnilised dokumendid saadaval: *
lv	2000/14/EK: izmērītais trokšņa jaudas līmenis ir 91 dB(A) , izklīde K ir = 3.0 dB , garantētais trokšņa jaudas līmenis ir 95 dB(A) ; atbilstības novērtēšana ir veikta saskaņā ar pielikumu V . Izstrādājuma kategorija: 27 Tehniskā dokumentācija no: *
lt	2000/14/EB: išmatuotas garso galios lygis 91 dB(A) , paklaida K = 3.0 dB , garantuotas garso galios lygis 95 dB(A) ; atitikties vertinimas atliktas pagal priedą V . Gaminio kategorija: 27 Techninė dokumentacija saugoma: *


BOSCH

 * Robert Bosch Power Tools GmbH, PT/ECS,
70538 Stuttgart, GERMANY

VI

CE

Henk Becker
Chairman of Executive
Management

Helmut Heinzlmann
Head of Product Certification

Henk Becker i.V. K-We

Robert Bosch Power Tools GmbH, 70538 Stuttgart, GERMANY
Stuttgart, **27.01.2021**