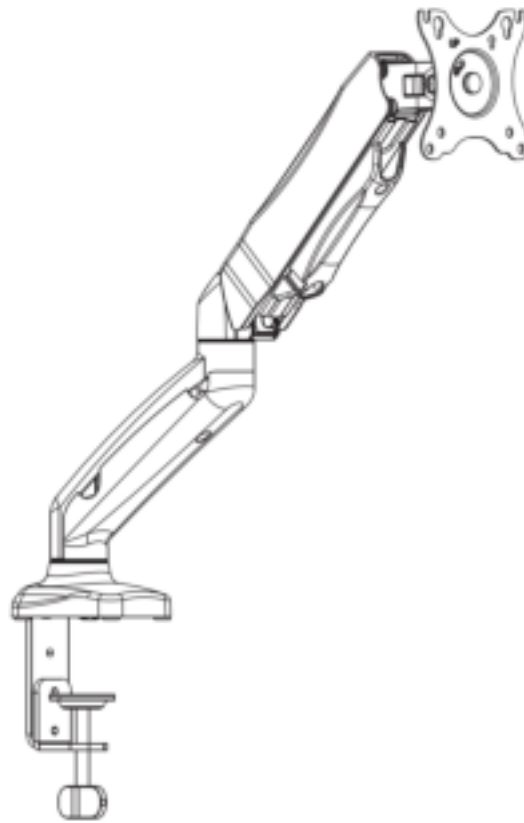


Single Arm Monitor Desk Mount

V5.0



FM-SPM01



75x75/100x100



27"
MAX



2-6.3kg
4.4-14.1lbs
RATED

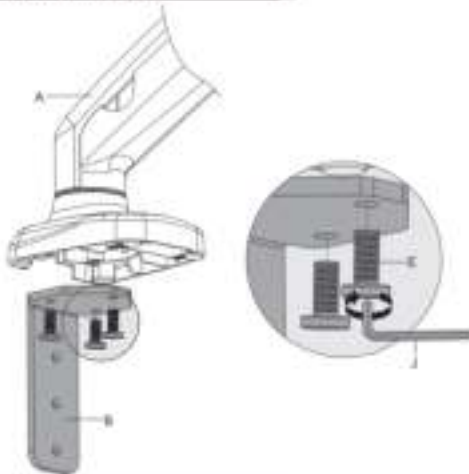
Included



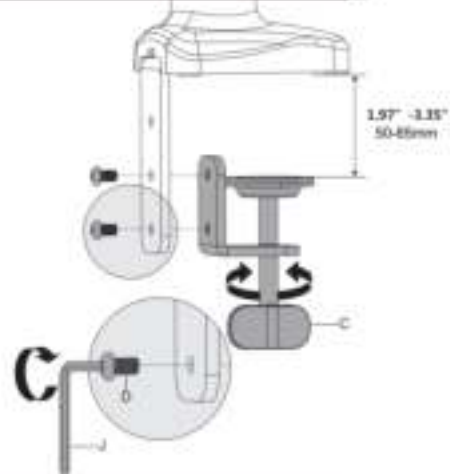
1. Install the Stand to Desk

A. For Clamp Mount

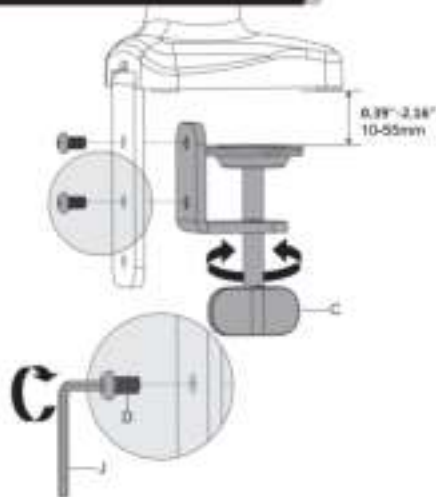
1a-1 Attach Fixing Plate to Arm Assembly



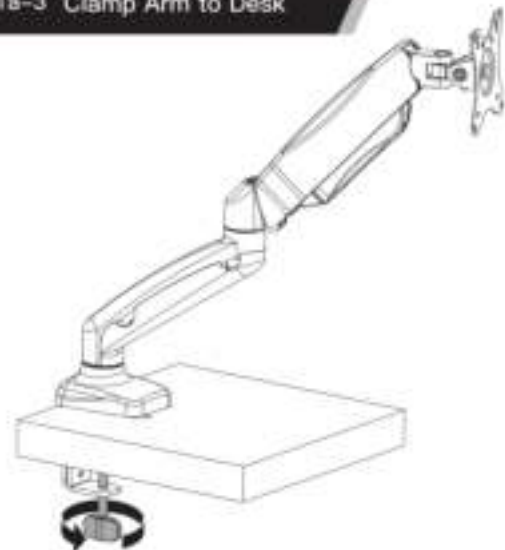
1a-2a Fit Desk Clamp to Desk



1a-2b Fit Desk Clamp to Desk



1a-3 Clamp Arm to Desk

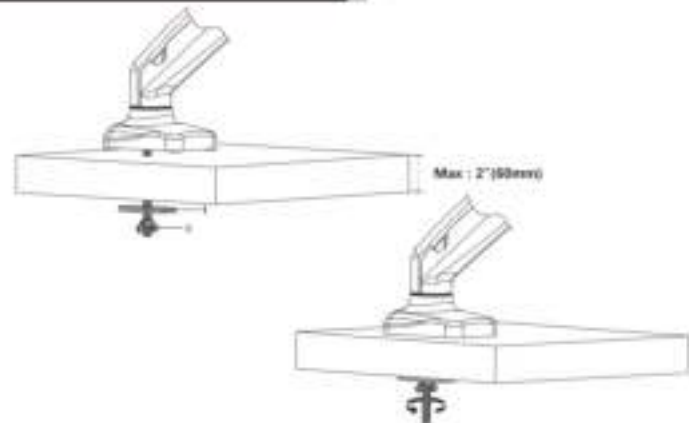


B. For Grommet Mount

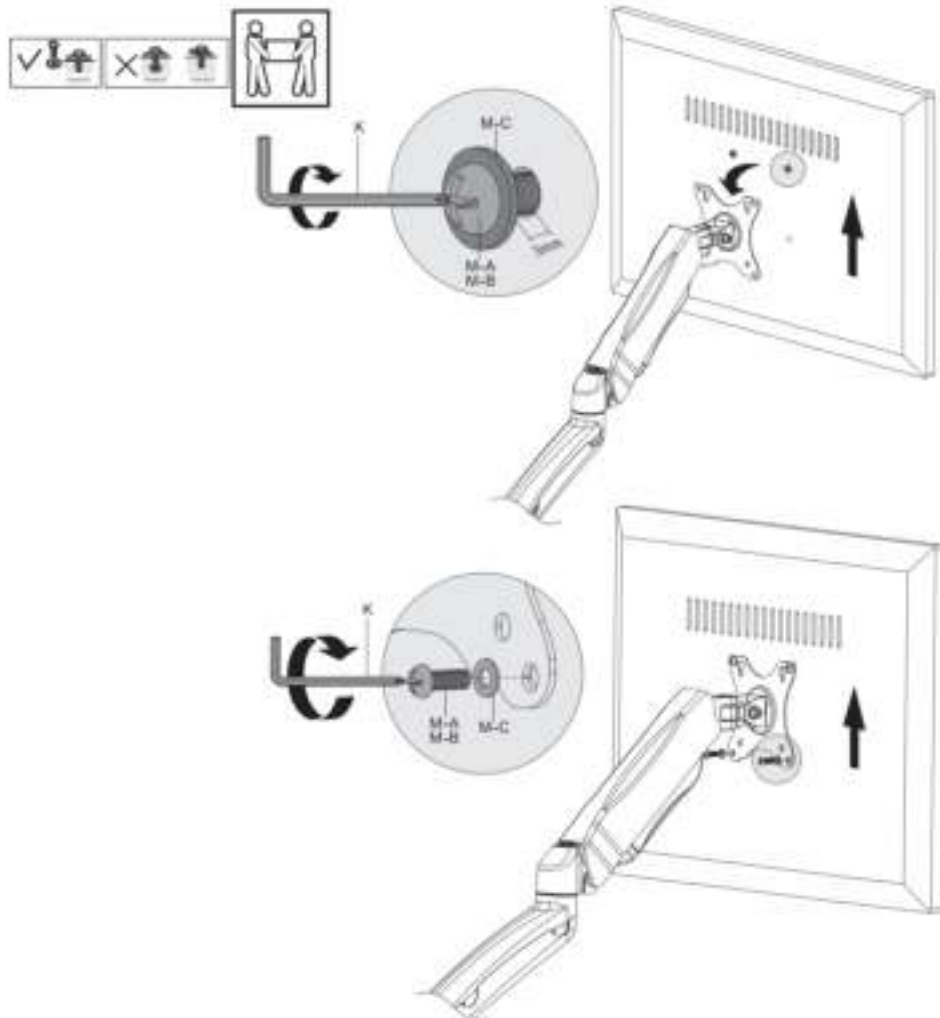
1b-1 Attach Grommet Plate to Arm Assembly



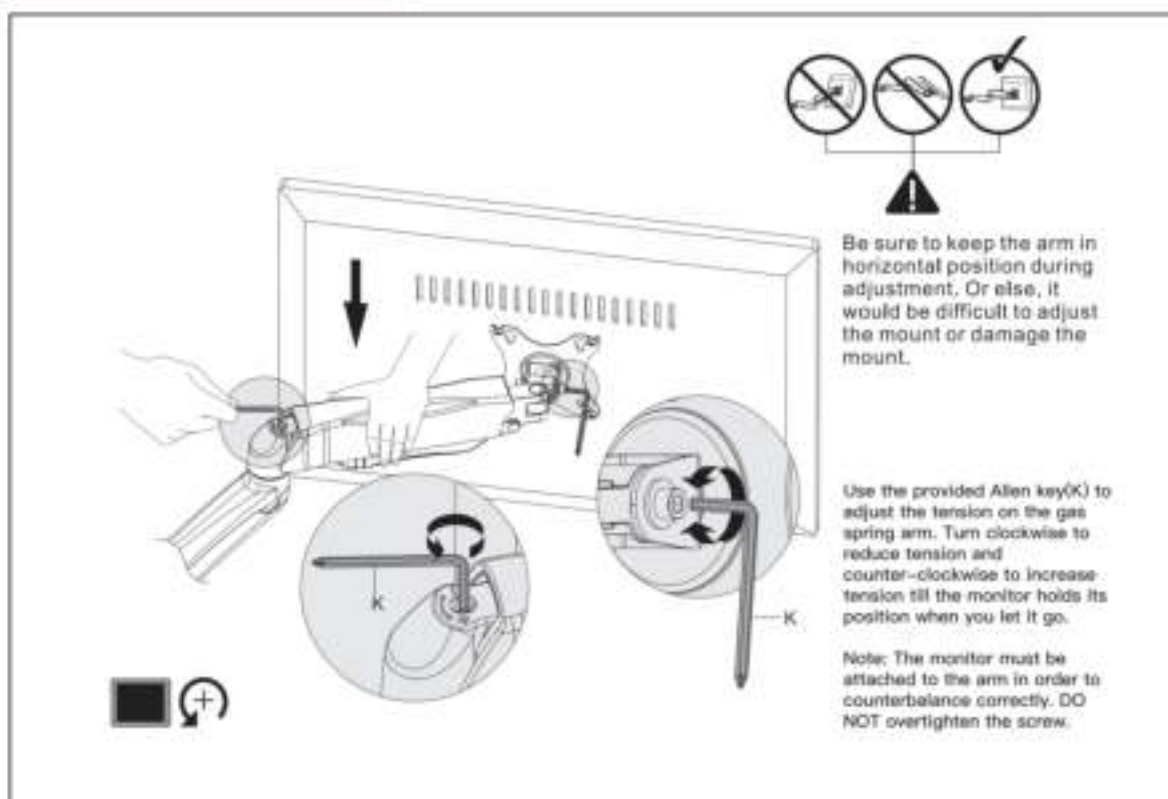
1b-2 Mount Arm on Desk



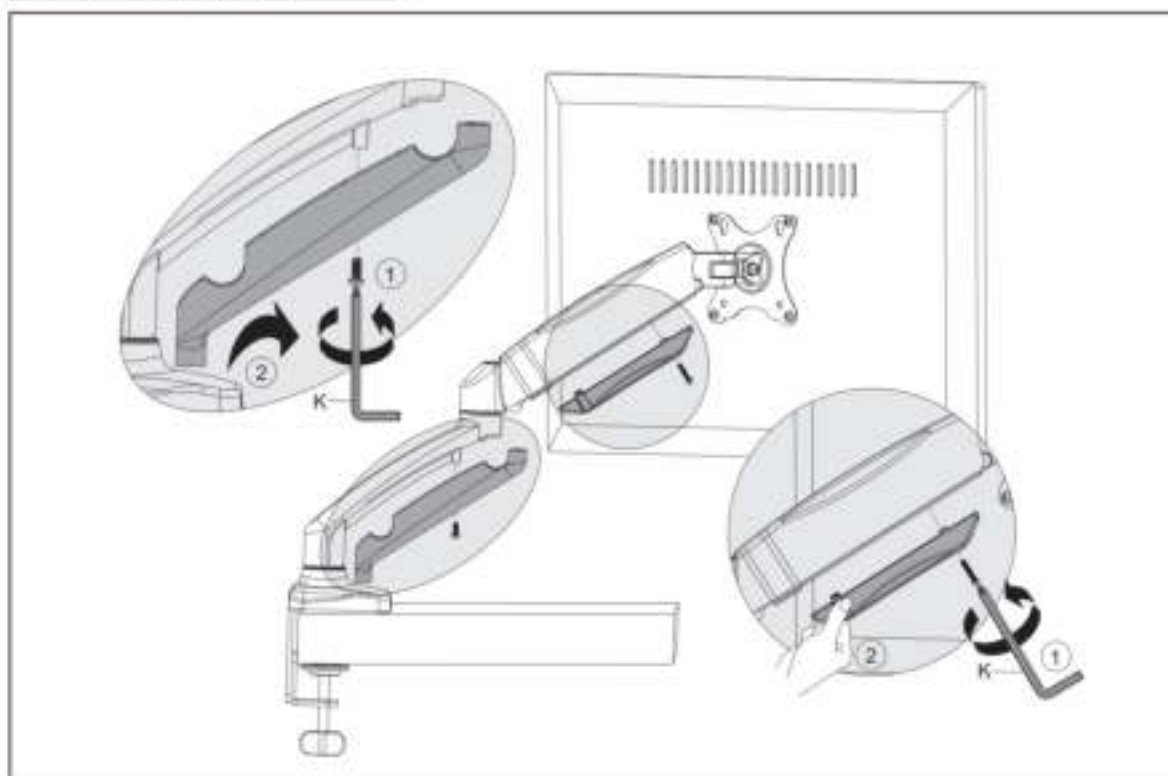
2. Attach Monitor to Arm



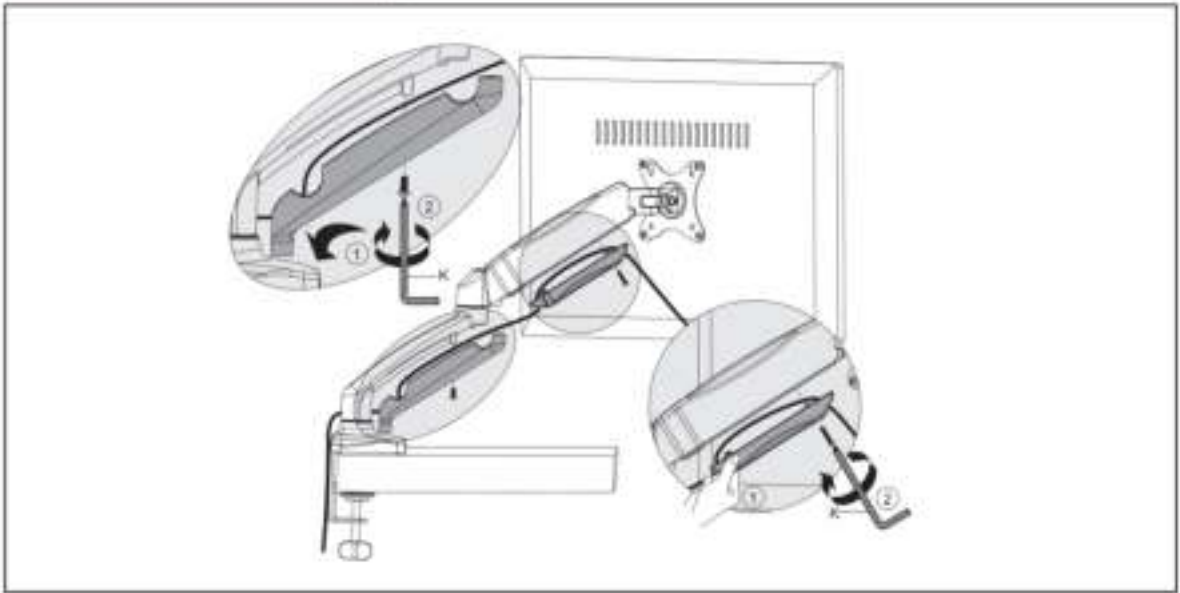
3. Adjust the Gas Spring Tension



4. Remove the Cable Cover



5. Route the Cable along the Arm



6. Adjust Monitor to the Desired Position

