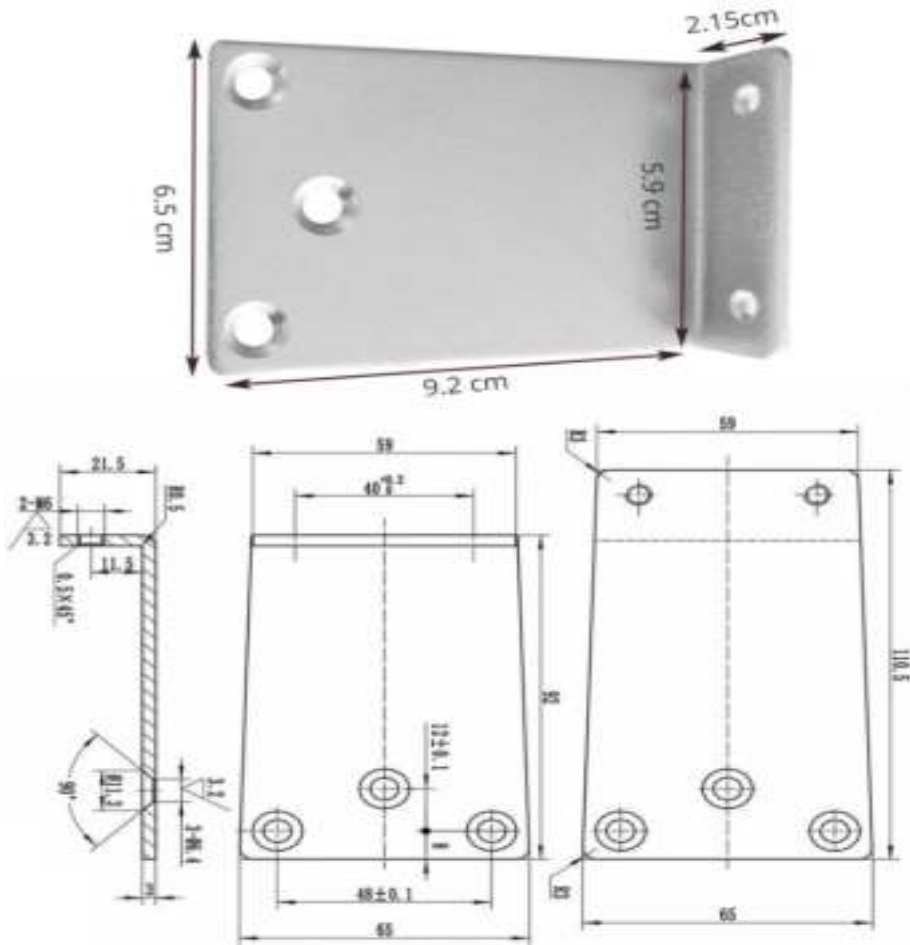
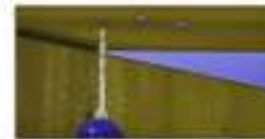


Parallel Bracket for Door Closer – Item 4200116



Choose standard installation or doorcase installation if door and frame is on the same plate. (no need parallel bracket)

If 1.97" or more between door and frame, choose parallel installation. (use parallel bracket)



PALMAT-EU B.V.

VAT registration number: NL 859504906B01

Company registration number: 73388238

Address: Joop Geesinkweg 701, 1114AB, Amsterdam-Duivendrecht

Netherlands

www.palmat.eu

info@palmat.eu



PALMAT-EU B.V.

VAT registration number: NL 859504906B01

Company registration number: 73388238

**Address: Joop Geesinkweg 701, 1114AB, Amsterdam-Duivendrecht
Netherlands**

www.palmat.eu

info@palmat.eu