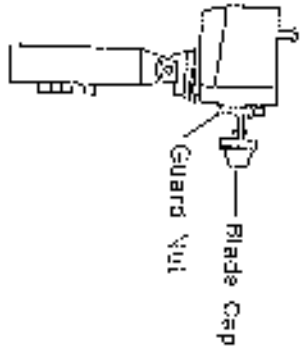
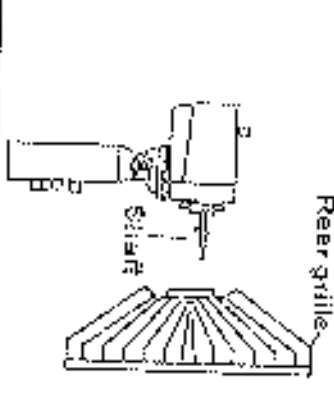


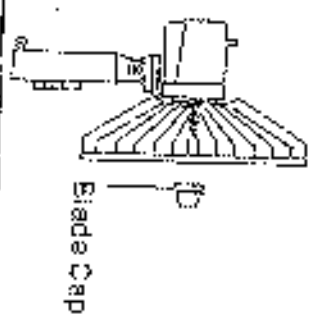
Unscrew the blade cap by turning clockwise & rear guard mounting nut by turning counter clockwise



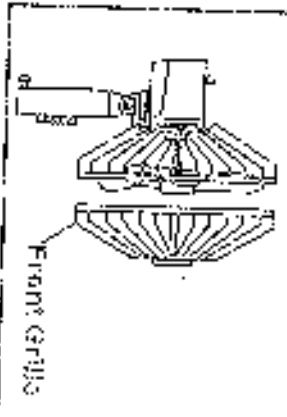
Put rear grille on motor shaft and secure with guard nut



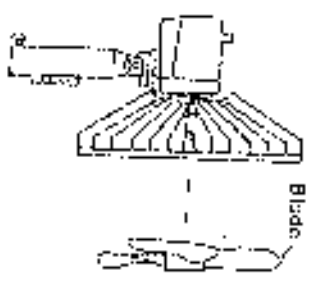
Screw blade cap on shaft by turning counter clockwise



Put front grille on rear grille and close clips or screw grilles to secure grilles together



Slide blade on motor shaft



WARNING:

1. If the supply cord is damaged, it must be replaced by the manufacturer or a person competent in electricity repairs. NEVER REPAIR THE CORD.
 2. It reduces the risk of fire or electric shock to use tools only with very solid, stable, secure work surfaces.
 3. This appliance is not intended for use by children or other persons with a less than normal level of physical, sensory or mental capabilities, or lack of experience and knowledge. Children should be supervised to ensure that they do not play with the appliance.
 4. Ensure that the fan is not covered from the supply and is not obstructed by the guard.
5. It is the end user's responsibility to ensure that an appropriate risk assessment is undertaken before the appliance is used. The appliance should not be used in the presence of explosive, flammable or highly volatile materials or dangerous or otherwise hazardous substances.