

## Specification


Up to 15W charging (5V-3A)



## Warnings

 KEEP THE DEVICE OUT OF REACH OF CHILDREN.

 KEEP THE DEVICE AWAY FROM FIRE AND HIGH TEMPERATURES.

 AVOID DROPPING THE DEVICE.

 DO NOT SUBMERGE IN WATER OR EXPOSE TO ADVERSE WEATHER CONDITIONS.

 DO NOT OPEN OR PUNCTURE IT.

SCAN FOR  
MORE INFO

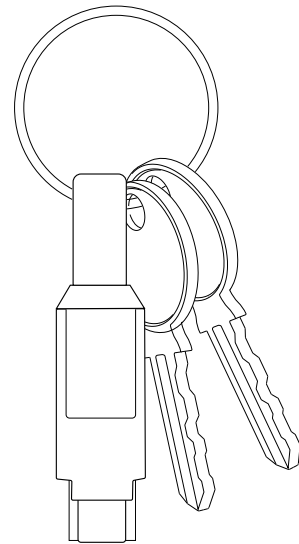
Designed in Switzerland  
Made in China



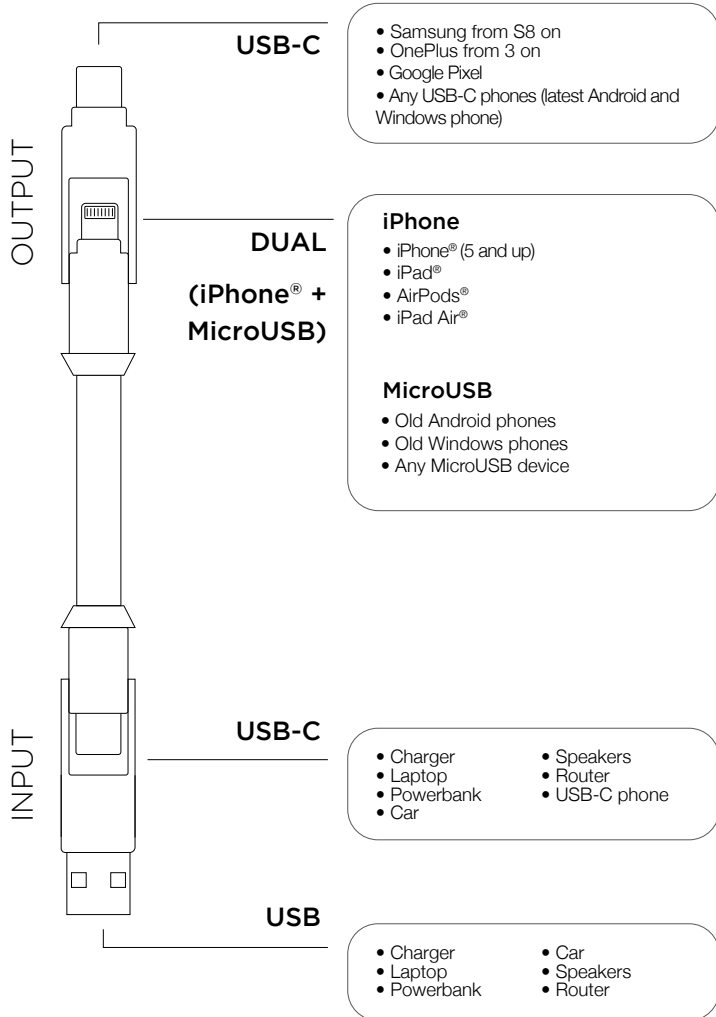
# inCharge®

## 6

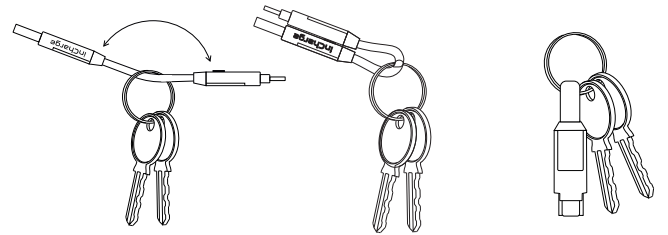
### User Manual



## Connectors



## Hook Your Keys



- 1.** Open the two inCharge 6 side and insert your keyring.
- 2.** Close the two side, thanks to the magnet and the anti-sliding system inCharge will never get lost
- 3.** Use your keys as you always do, now you have your Swiss Army Knife of cables.

## Dual Connector

