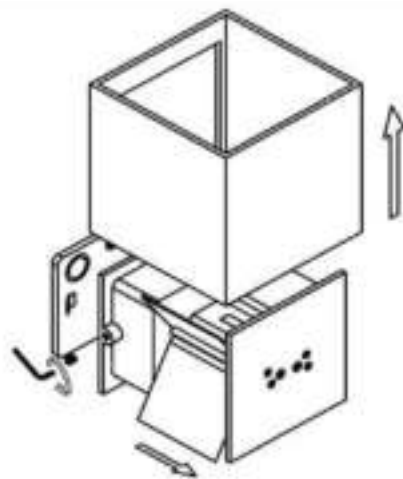
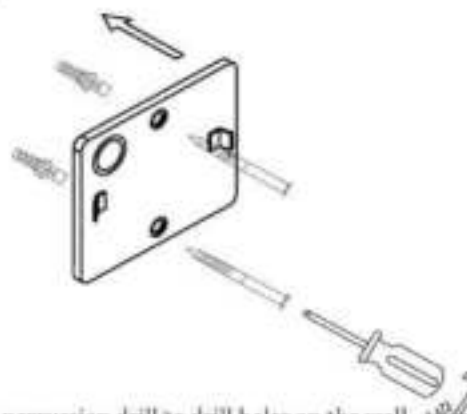


1



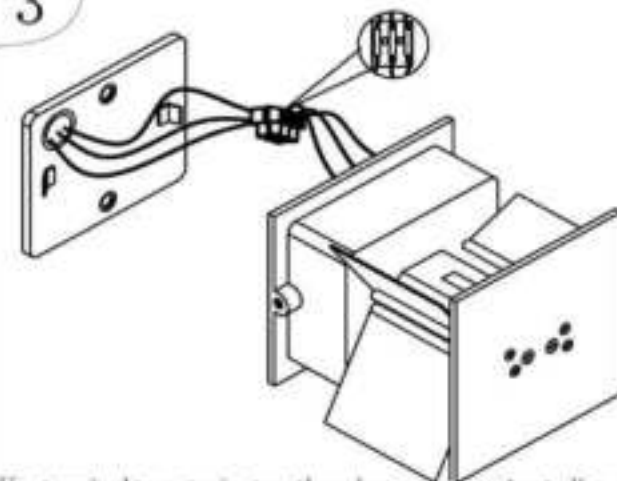
Remove the lamp shade, use the hex wrench to unscrew the screw on both sides and take out the support Plate.

2



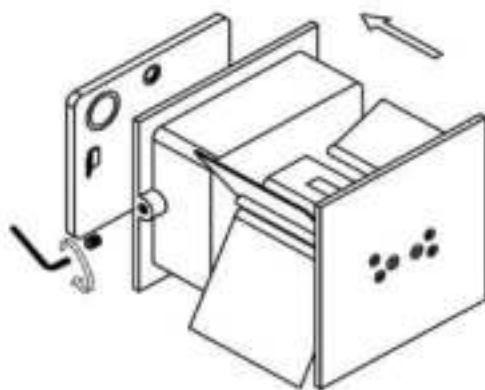
Use the percussion drill to drill holes on the wall, then use hammer to put screw sleeve into the hole, then use self-tapping screws to hang the plate installed on the wall, then locked by a screwdriver.

3



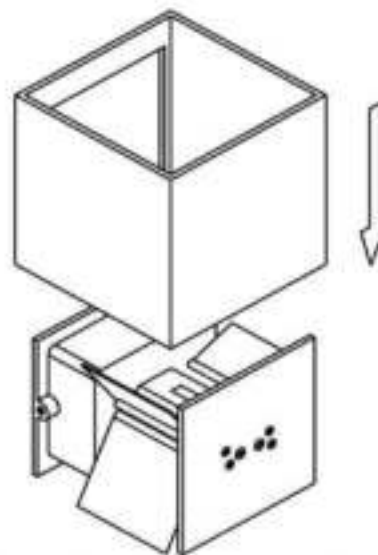
Use terminal to put wire together, brown connecting to live wire, the blue connecting to null line and the yellow green line connecting ground wire.

4



Wrap the lamp body in the support plate, using hexagonal wrench to lock the screws on both sides and fixing the lamp body on the plate

5



Use the open side of the lamp body close to the wall and cover the body by the lamp shade

Waterproof LED Light Lamp

