

home

for quality home and office furniture

piranha® COLEY ASSEMBLY INSTRUCTIONS

Please read this guide carefully and check that you have all parts before you begin assembly. As a thank you for your purchase, we would like to offer you a 10% discount* off our range of matching furniture on www.homeinonline.com with voucher code **10%MATCH**.

Need help with your item or unhappy?

If you have **ANY** questions, please do not hesitate to email us on info@homeinonline.com and we will do our very best to help. You can also contact us via our website www.homeinonline.com



TWO PEOPLE RECOMMENDED

PC40 (COLEY)

General Care:

Keep furniture out of direct sunlight. Use mats and coasters to protect surfaces.
Do not place hot or wet items directly onto unprotected surfaces.

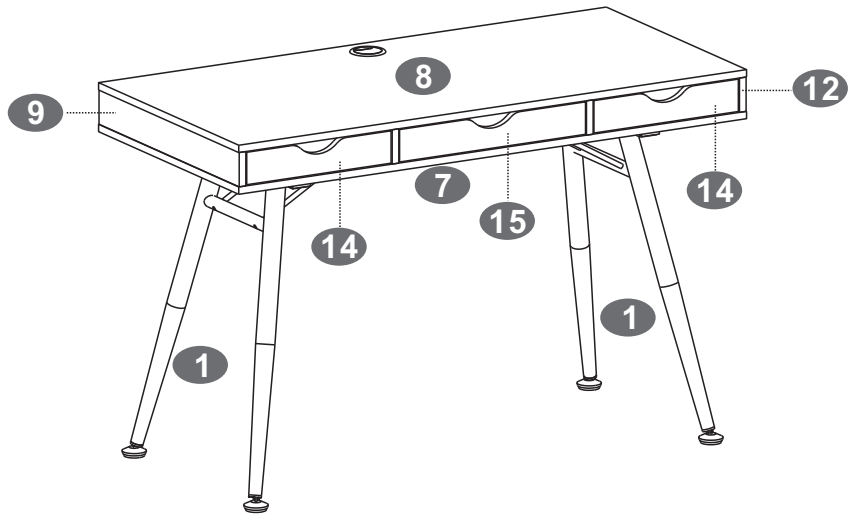
Cleaning:

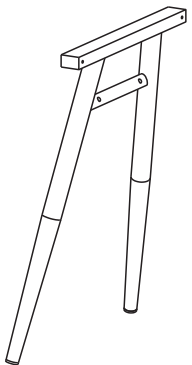
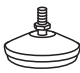
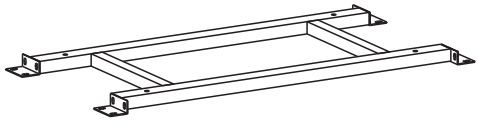
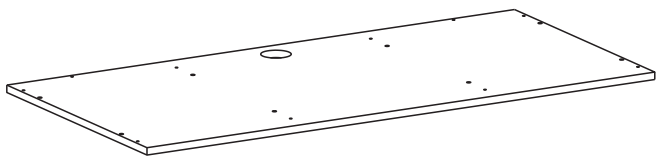

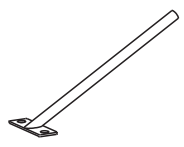
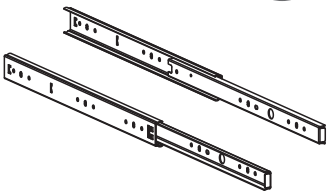
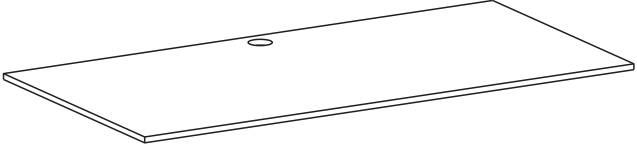
Wipe surfaces with a clean damp (not wet) cloth then dry with a clean lint free cotton cloth.
Glass surfaces may be polished with window or other glass cleaning liquids.

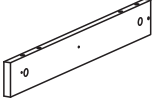
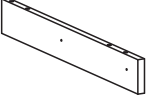
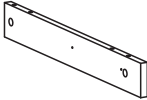
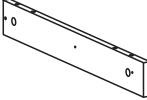
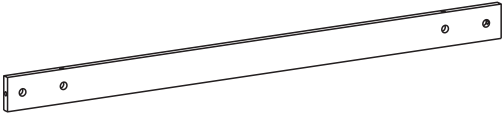









Please retain cartons until assembled as goods MUST be returned in original packaging.






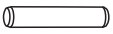

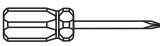



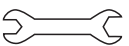

▪PARTS LIST



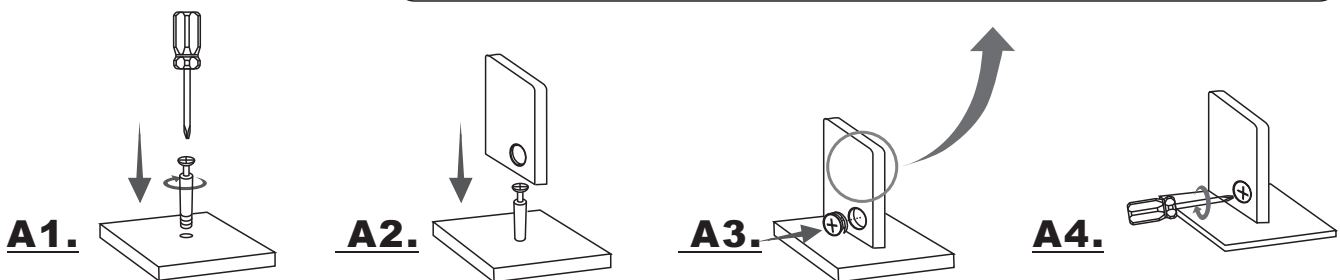
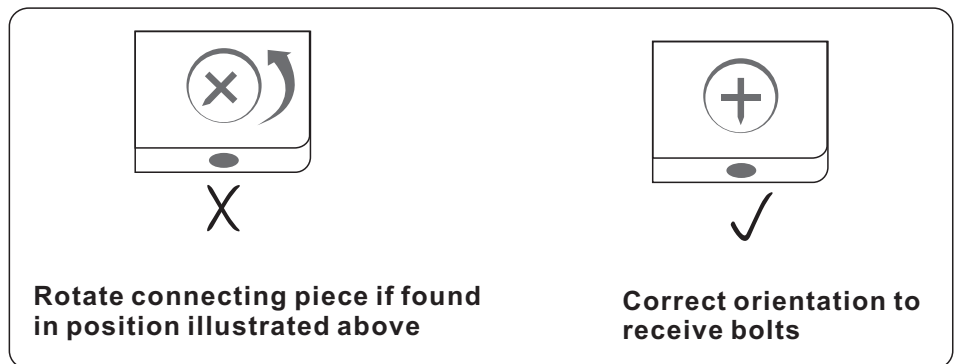
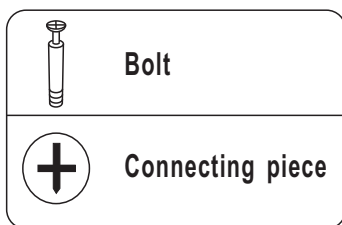
 <p>1</p> <p>X2</p>	 <p>2</p> <p>X4</p>	 <p>3</p> <p>X1</p>
 <p>7</p> <p>X1</p>	 <p>4</p> <p>X1</p>	 <p>5</p> <p>X4</p>  <p>6</p> <p>X3</p>
		 <p>8</p> <p>X1</p>

<p>9</p>  <p>X1</p>	<p>10</p>  <p>X1</p>	<p>11</p>  <p>X1</p>	<p>12</p>  <p>X1</p>
<p>13</p>  <p>X1</p>		<p>14</p>  <p>X2</p>	<p>15</p>  <p>X1</p>
<p>16</p>  <p>X6</p>	<p>17</p>  <p>X3</p>	<p>18</p>  <p>X3</p>	<p>19</p>  <p>X2</p>
<p>20</p>  <p>X2</p>	<p>21</p>  <p>X1</p>	<p>22</p>  <p>X1</p>	

▪SCREWS LIST

PART	QTY.	ITEM		PART	QTY.	ITEM	
A	36	3X15 MM		G	12	Φ 15 MM	
B	12	6X40 MM		H	16	8X30 MM	
C	10	5X40 MM			1		
D	8	6X35 MM			1		
E	12	4X35 MM			1		
F	26	6X15 MM					

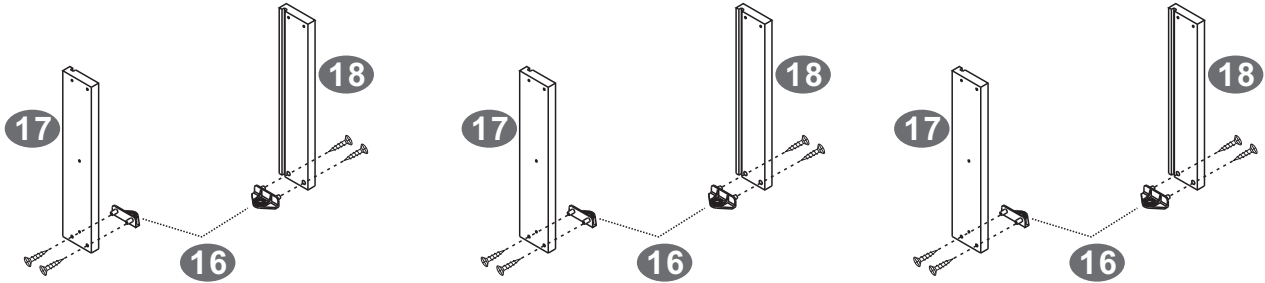
6X40MM BOLT INSTALLATION AS BELOW:





▪ ASSEMBLY STEPS:

1



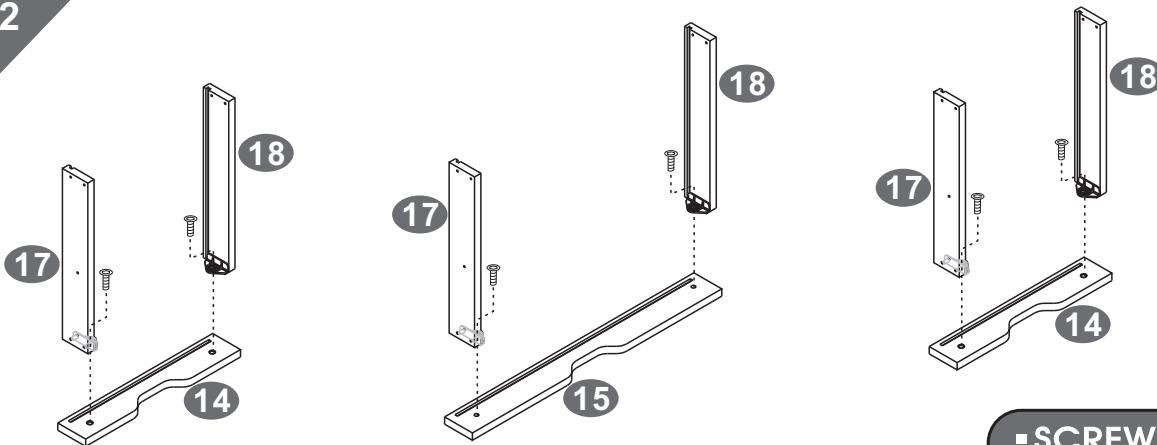
▪ SCREWS

A 3X15 MM

12PCS



2



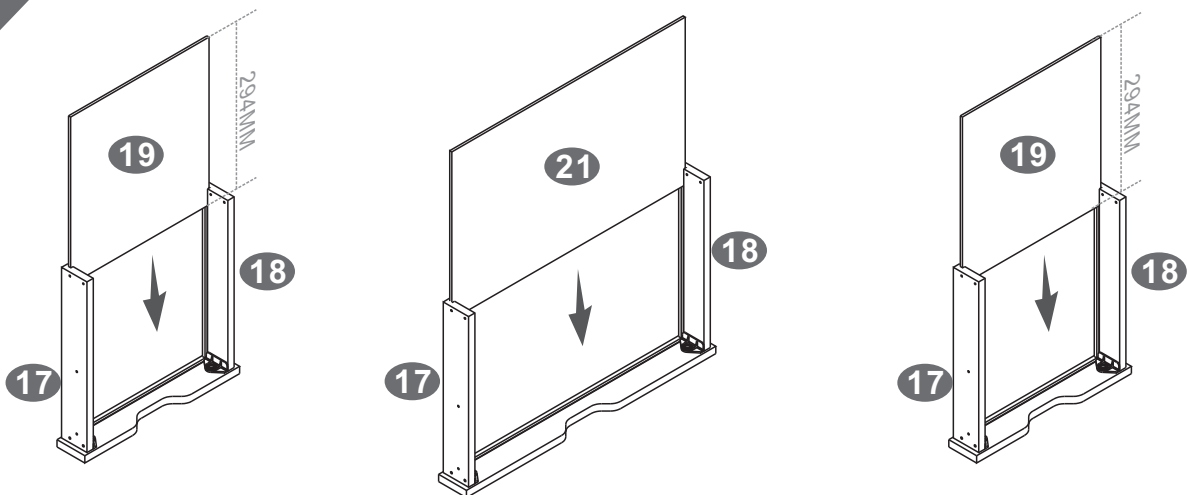
▪ SCREWS

F 6X15 MM

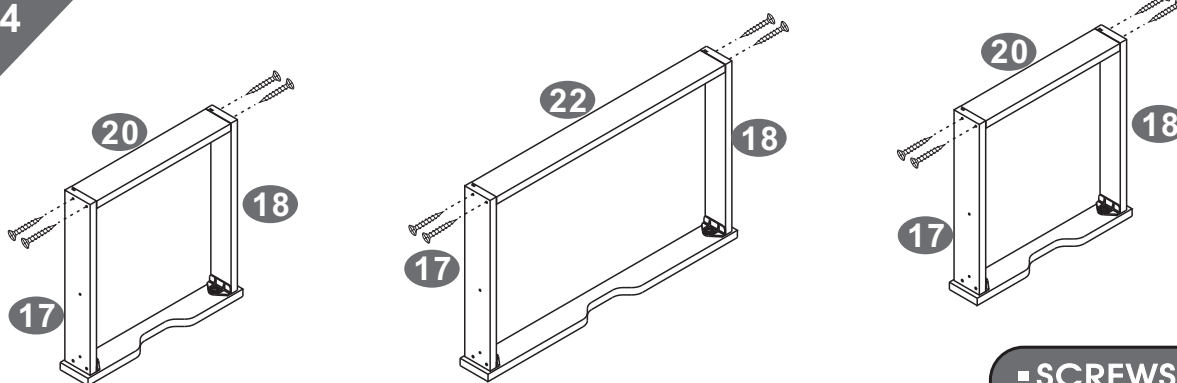
6PCS



3



4



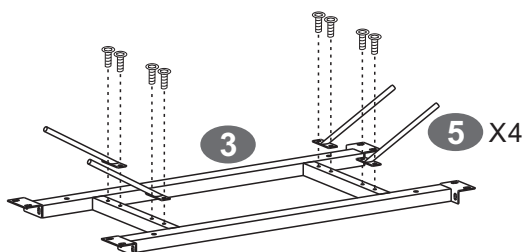
■ SCREWS

E 4X35 MM

 12PCS



5



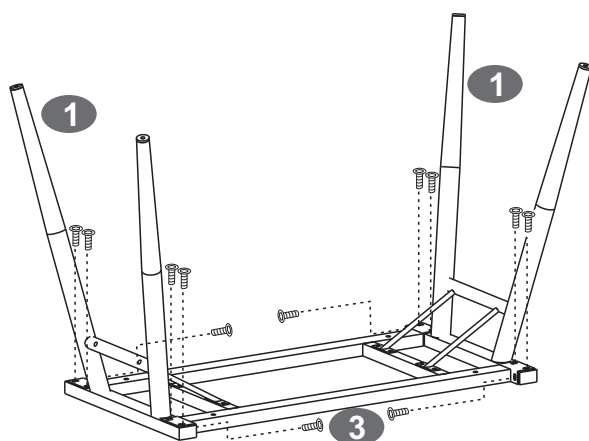
■ SCREWS

F 6X15 MM

 8PCS



6



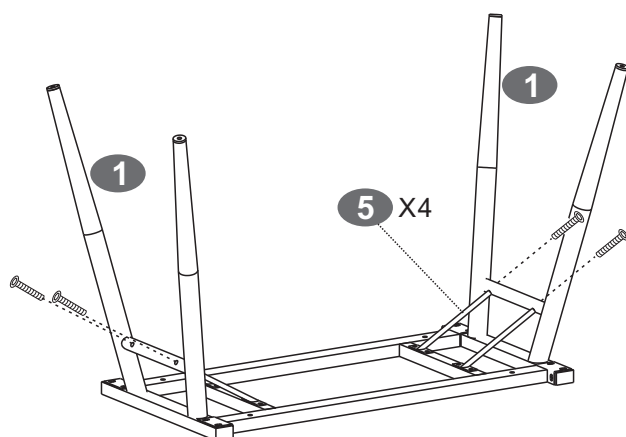
■ SCREWS

F 6X15 MM

 12PCS



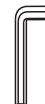
7



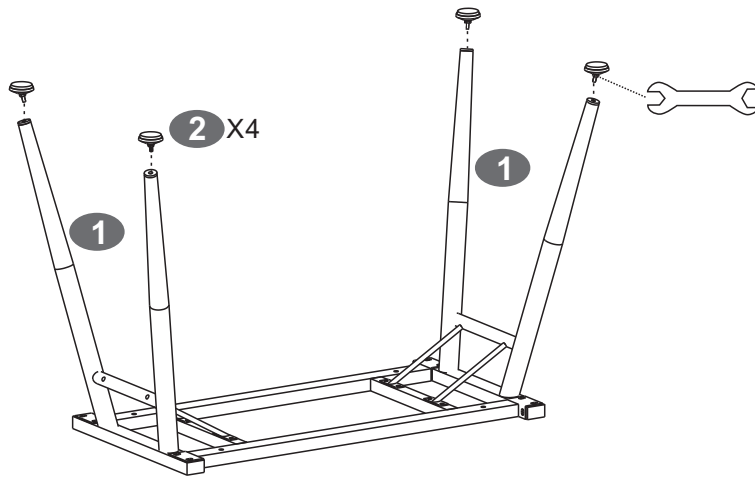
■ SCREWS

D 6X35 MM

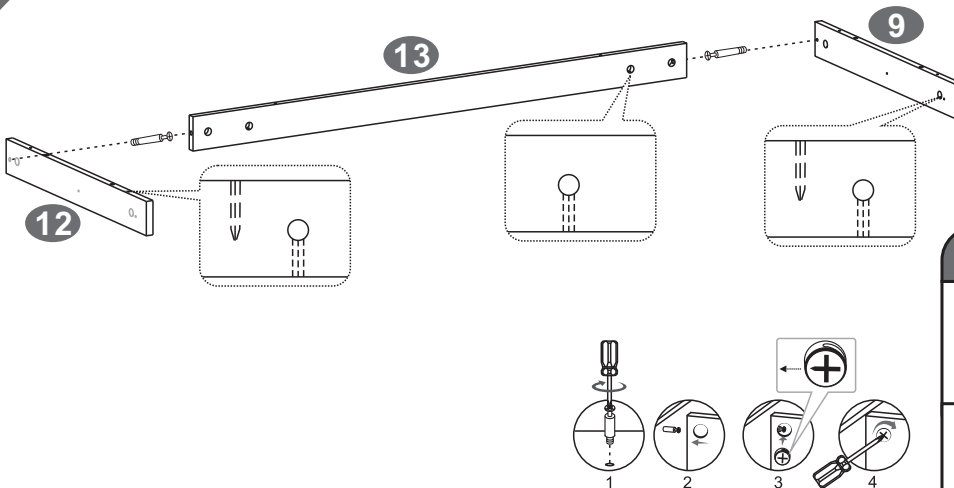
 4PCS



8



9

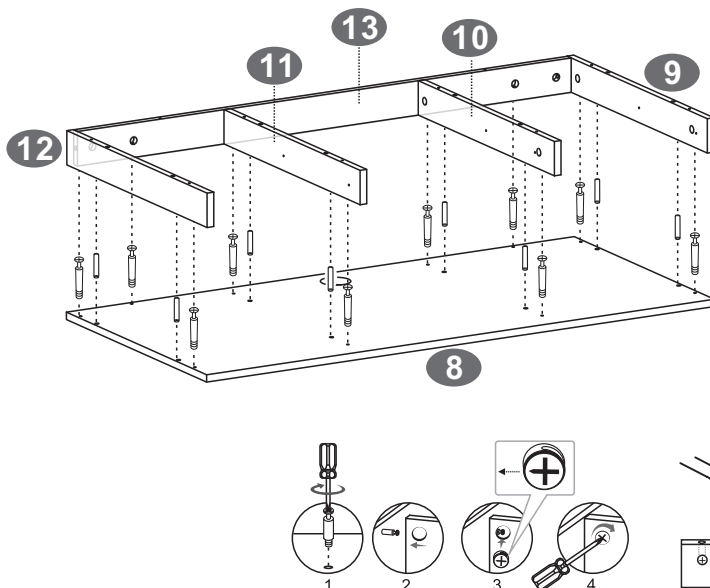


- SCREWS

B 6X40 MM
2PCS

G Φ 15 MM
2PCS

10



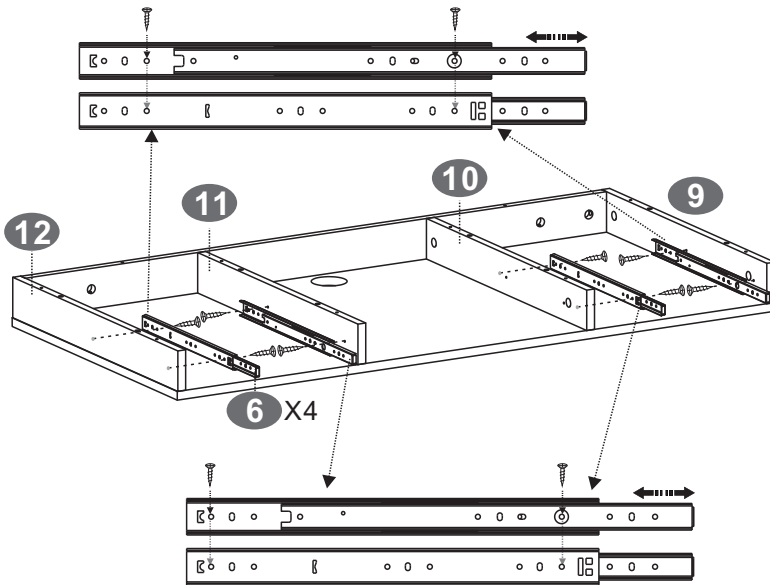
- SCREWS

B 6X40 MM
10PCS

G Φ 15 MM
10PCS

H 8X30 MM
8PCS

11



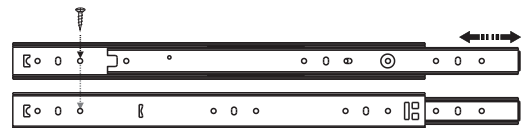
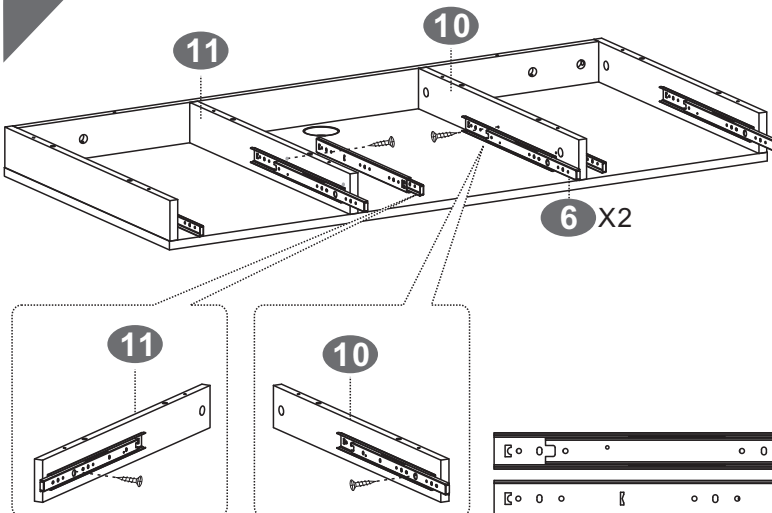
■ SCREWS

A 3X15 MM

8PCS



12



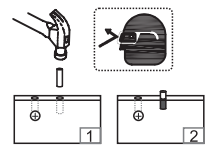
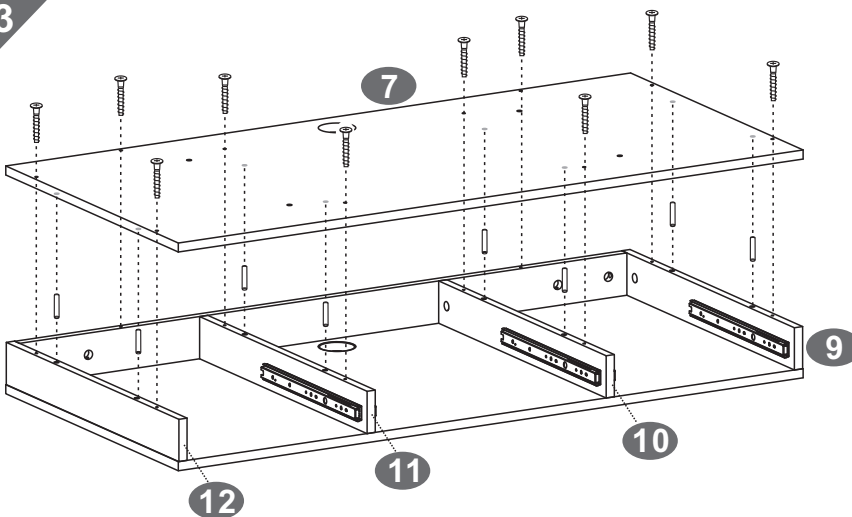
■ SCREWS

A 3X15 MM

4PCS



13



■ SCREWS

C 5X40 MM

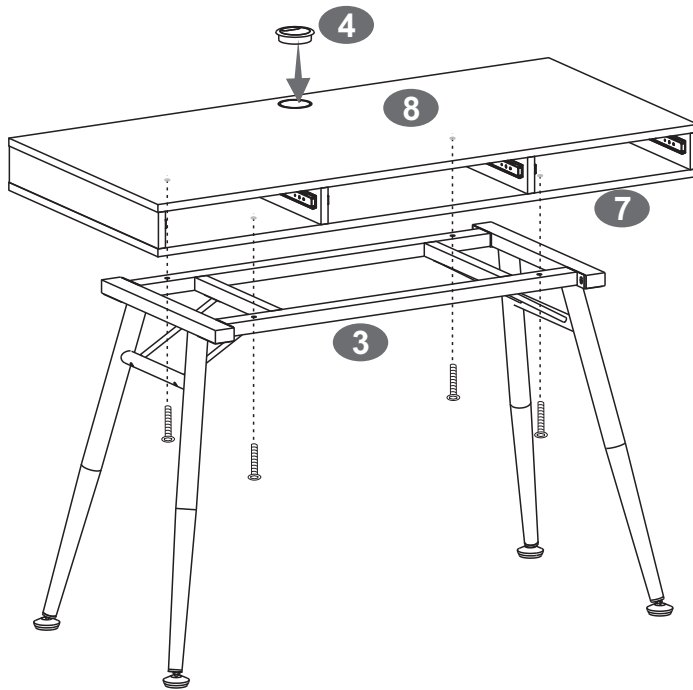
10PCS

H 8X30 MM

8PCS



14



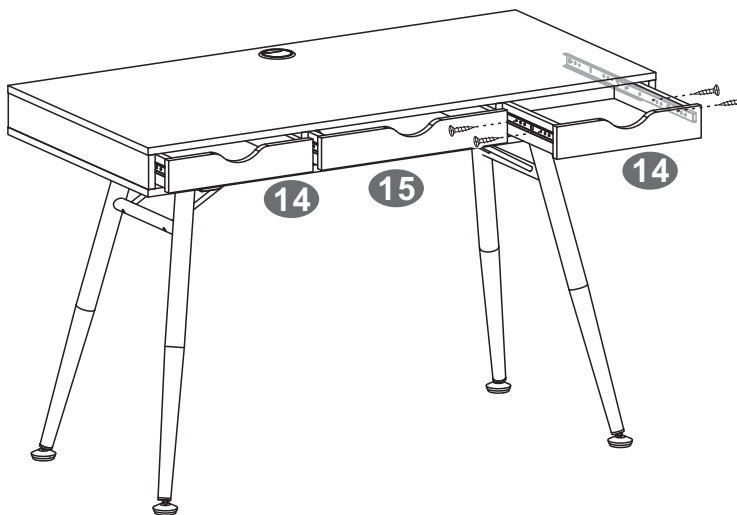
■ SCREWS

D 6X35 MM

 4PCS



15



■ SCREWS

A 3X15 MM

 12PCS

