

# home

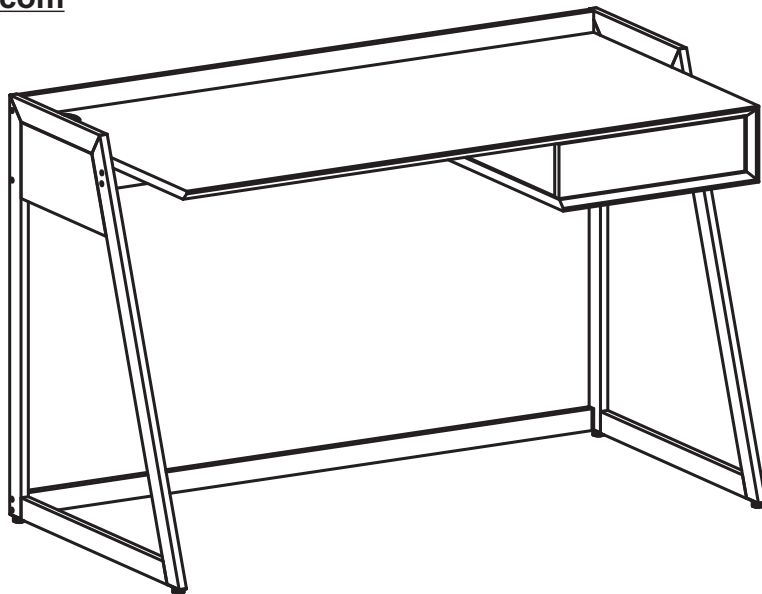
for quality home and office furniture

## piranha® SERGEANT ASSEMBLY INSTRUCTIONS

Please read this guide carefully and check that you have all parts before you begin assembly. As a thank you for your purchase, we would like to offer you a 10% discount\* off our range of matching furniture on [www.homeinonline.com](http://www.homeinonline.com) with voucher code **10%MATCH**.

### Need help with your item or unhappy?

If you have **ANY** questions, please do not hesitate to email us on [info@homeinonline.com](mailto:info@homeinonline.com) and we will do our very best to help. You can also contact us via our website [www.homeinonline.com](http://www.homeinonline.com)



**TWO PEOPLE RECOMMENDED**

**PC38 (SERGEANT)**

#### **General Care:**

Keep furniture out of direct sunlight. Use mats and coasters to protect surfaces.  
Do not place hot or wet items directly onto unprotected surfaces.

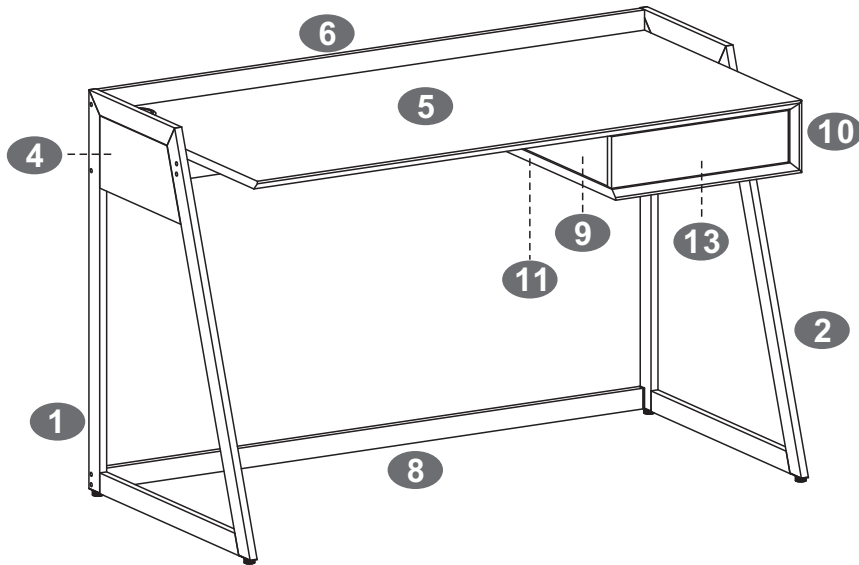
#### **Cleaning:**

Wipe surfaces with a clean damp (not wet) cloth then dry with a clean lint free cotton cloth.  
Glass surfaces may be polished with window or other glass cleaning liquids.


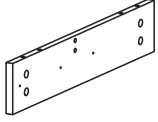
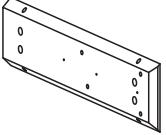
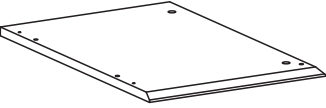
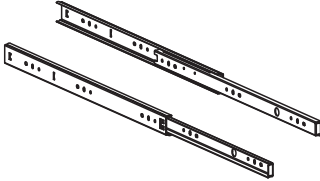



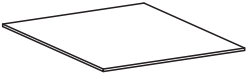



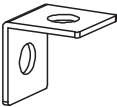
**Please retain cartons until assembled as goods MUST be returned in original packaging.**



■ PARTS LIST



<p>1</p> <p>X1</p>	<p>2</p> <p>X1</p>	<p>3</p> <p>X4</p>	<p>4</p> <p>X2</p>
		<p>5</p> <p>X1</p>	
<p>6</p> <p>X1</p>		<p>7</p> <p>X1</p>	

 <p>8</p> <p>X1</p>	 <p>9</p> <p>X1</p>	 <p>10</p> <p>X1</p>	
 <p>11</p> <p>X1</p>	 <p>12</p> <p>X1</p>	 <p>13</p> <p>X1</p>	 <p>14</p> <p>X1</p>
 <p>15</p> <p>X1</p>	 <p>16</p> <p>X1</p>	 <p>17</p> <p>X1</p>	 <p>18</p> <p>X2</p>
 <p>19</p> <p>X1</p>	 <p>20</p> <p>X2</p>		

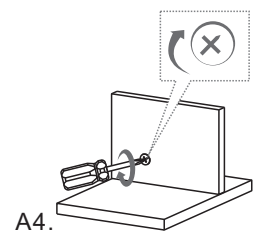
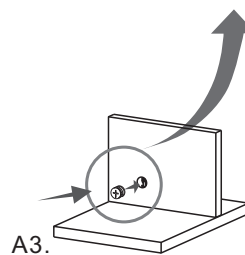
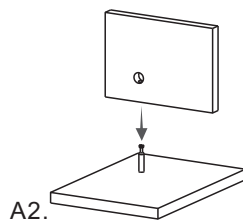
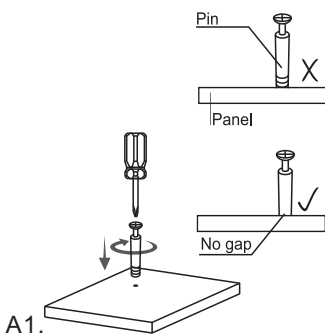
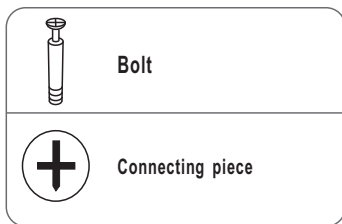


### ▪SCREWS LIST

PART	QTY.	ITEM	
<b>A</b>	4	6X40 MM	
<b>B</b>	6	6X50 MM	
<b>C</b>	10	6X30 MM	
<b>D</b>	4	5X55 MM	
<b>E</b>	4	6X68 MM	
<b>F</b>	14	3X15 MM	
<b>G</b>	4	4X35 MM	
<b>H</b>	6	6X12 MM	

PART	QTY.	ITEM	
<b>I</b>	4	Φ16 MM	
<b>J</b>	7	5X40 MM	
<b>K</b>	12	Φ15 MM	
<b>L</b>	4	Φ10 MM	
<b>M</b>	6	8X30 MM	
<b>N</b>	4	6X20 MM	
	1		

### 6X40MM BOLT INSTALLATION AS BELOW:





■ ASSEMBLY STEPS:

0 1 2 3 4 5 6 7 8 9 10 11 12 13 14 15 16 17 18 19 20 21 22 23 24

1

1 2 3

2

4 4

4 1 2

■ SCREWS  
N 6X20 MM  
x4

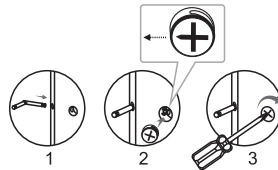
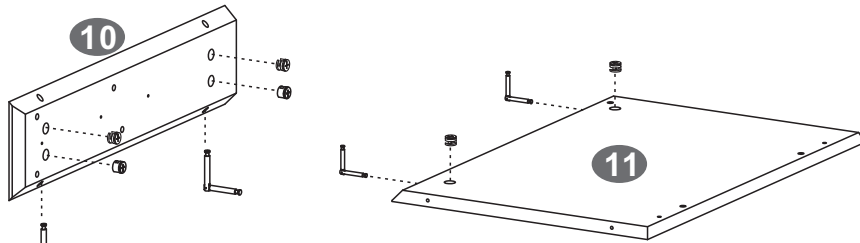
3

1 2

■ SCREWS  
D 5X55 MM  
x4

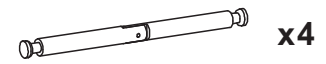
0 1 2 3 4 5 6 7 8 9 10 11 12 13 14 15 16 17 18 19 20 21 22 23 24

4



SCREWS

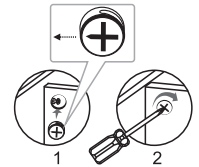
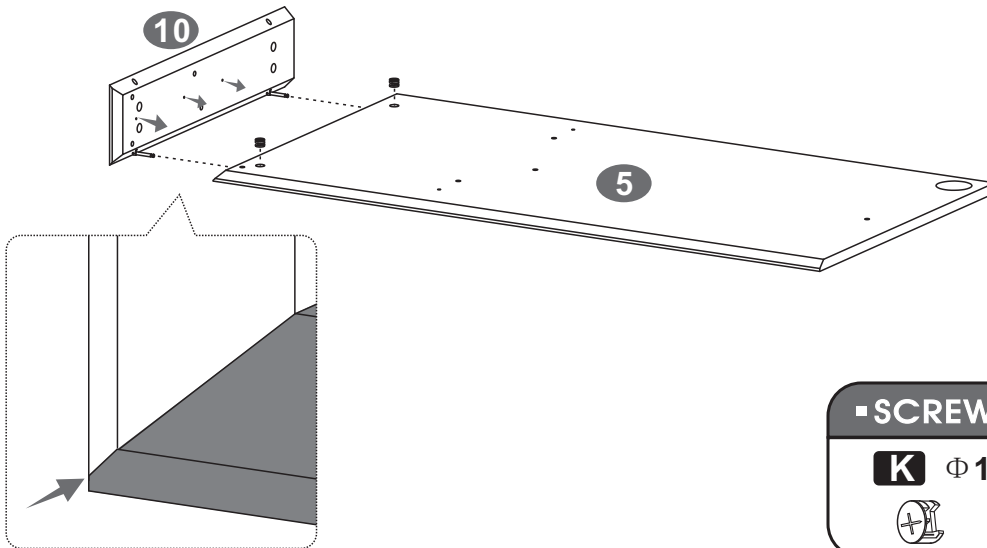
**E** 6X68 MM



**K**  $\Phi$  15 MM



5

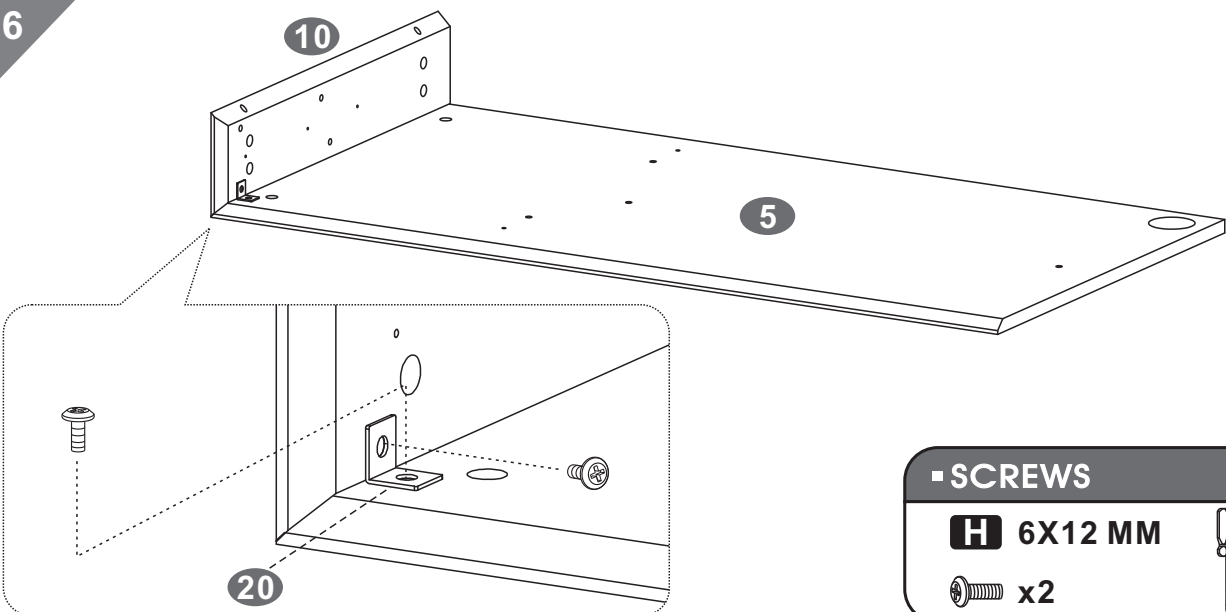


SCREWS

**K**  $\Phi$  15 MM



6

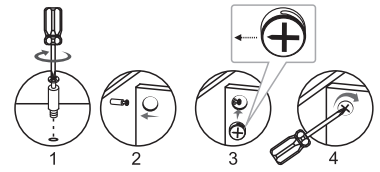
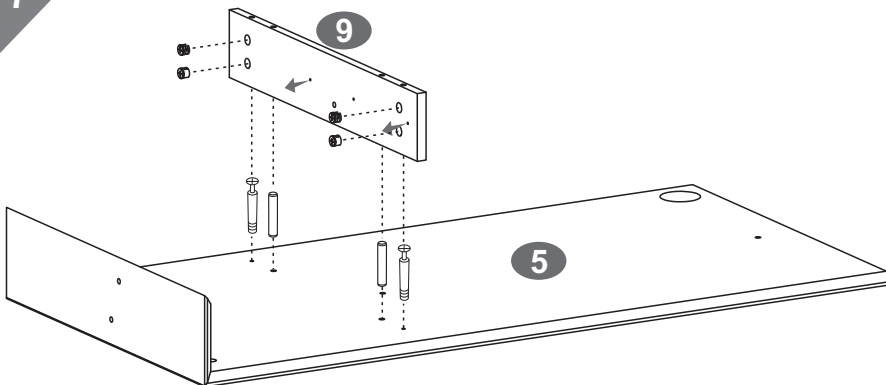


SCREWS

**H** 6X12 MM



7



SCREWS

**A** 6X40 MM

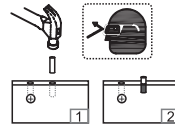
x2

**K**  $\Phi$  15 MM

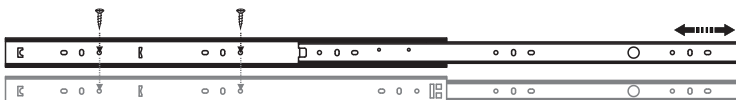
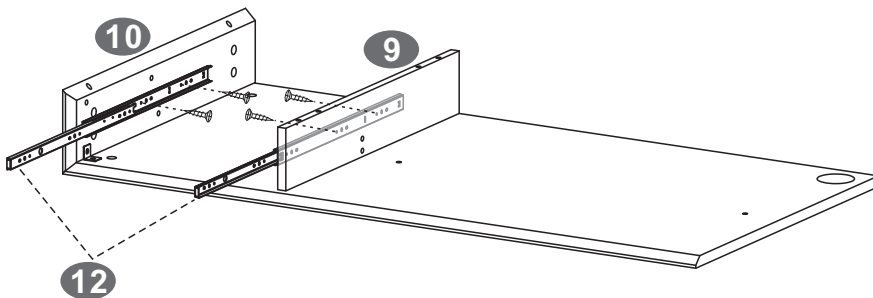
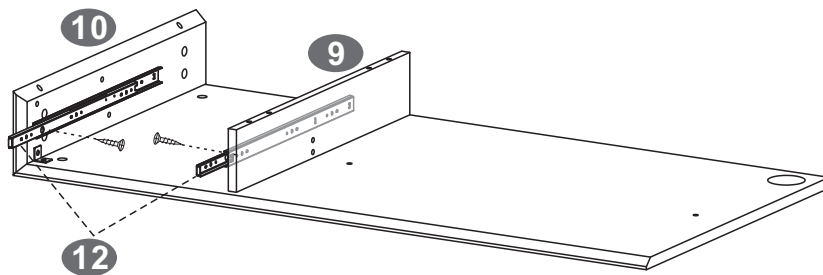
x4

**M** 8X30 MM

x2



8



SCREWS

**F** 3X15 MM

x6

**9**

**SCREWS**

- A** 6X40 MM x2
- M** 8X30 MM x2

**10**

**SCREWS**

- H** 6X12 MM x2

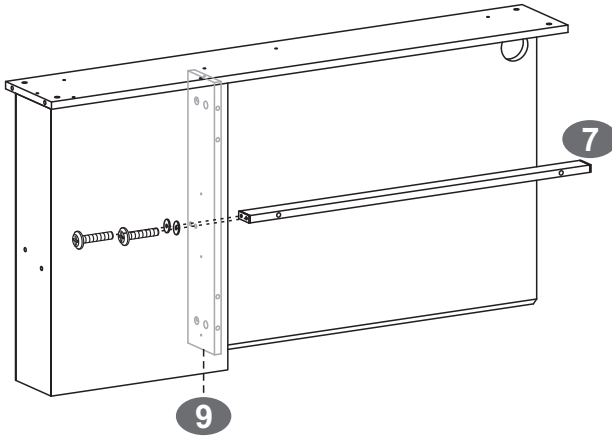
**11**

**SCREWS**

- J** 5X40 MM x7
- M** 8X30 MM x2



12



SCREWS

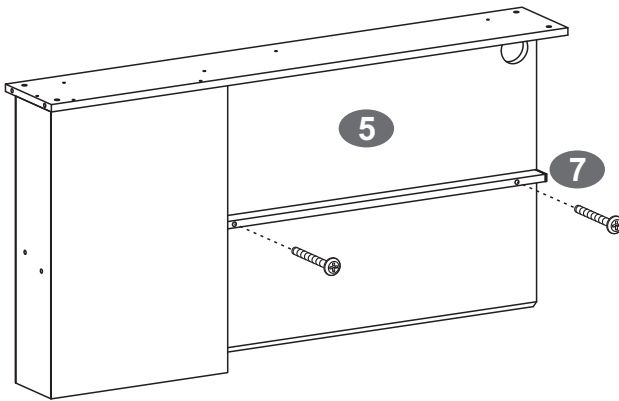
**C** 6X30 MM

x2

**I**  $\Phi$ 16 MM

x2

13

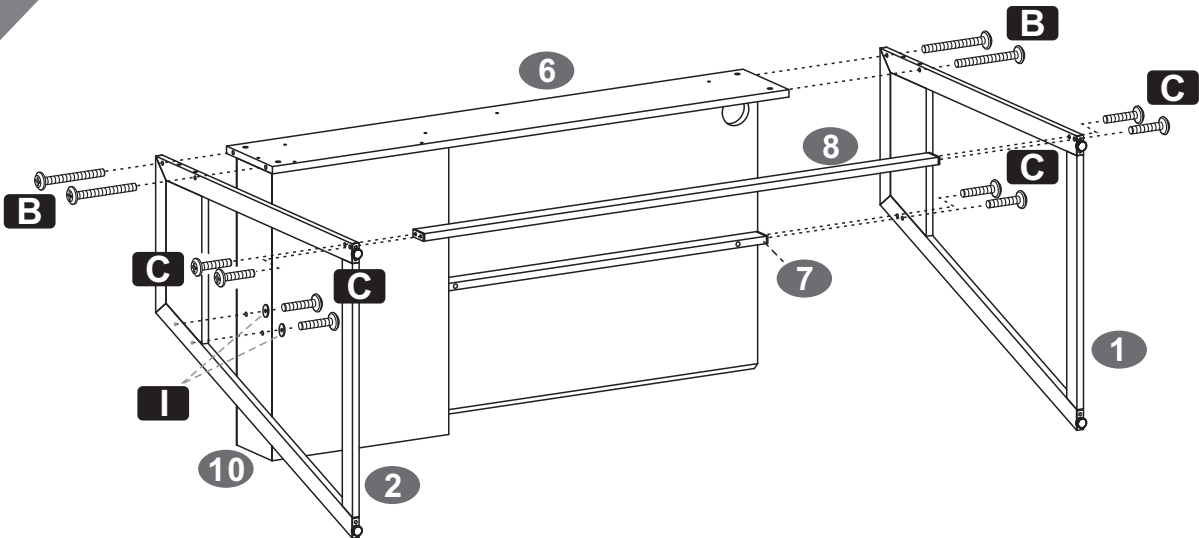


SCREWS

**B** 6X50MM

x2

14



SCREWS

**B** 6X50MM

x4

**C** 6X30 MM

x8

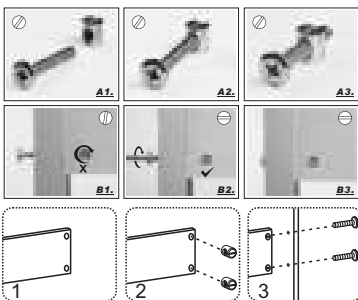
SCREWS

**I**  $\Phi$ 16 MM

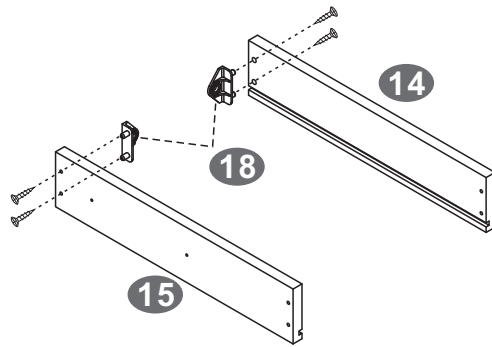
x2

**L**  $\Phi$ 10 MM

x4



15



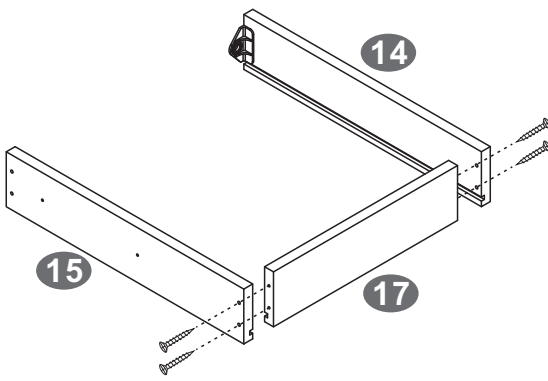
■ SCREWS

**F** 3X15 MM

 x4



16



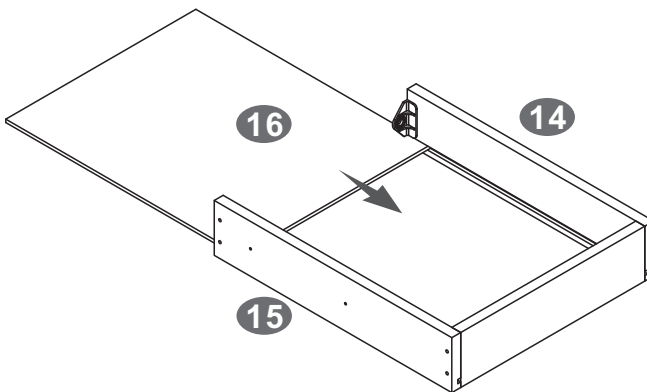
■ SCREWS

**G** 4X35 MM

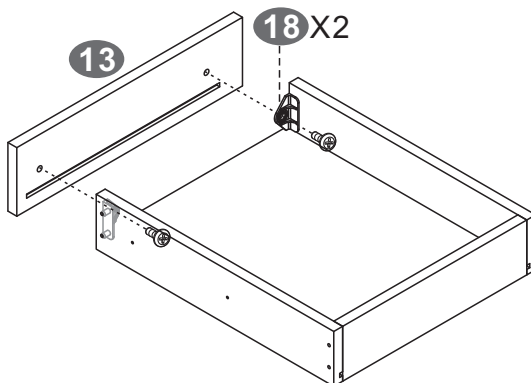
 x4



17



18



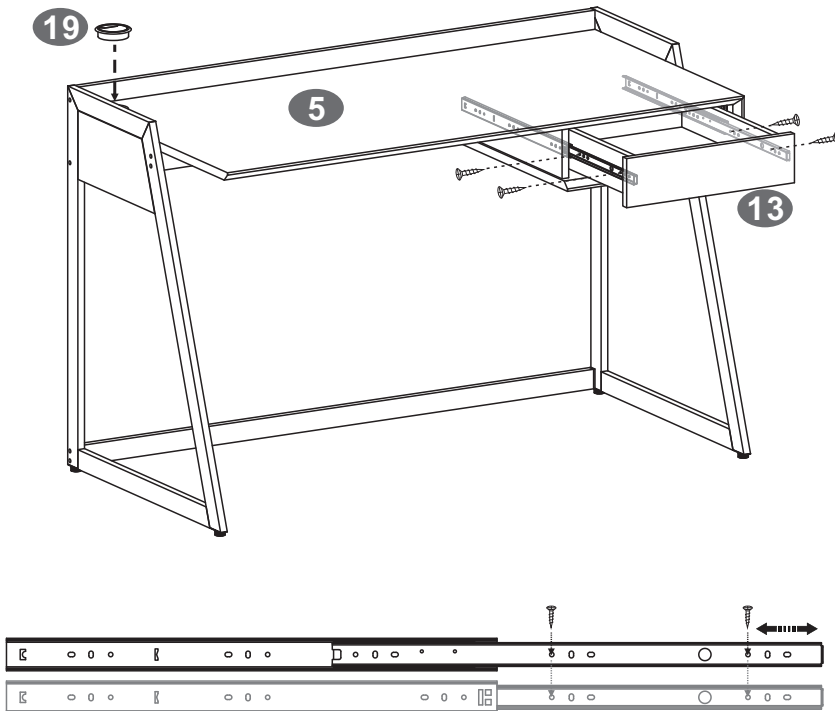
■ SCREWS

**H** 6X12 MM

 x2



19



■ SCREWS

**F** 3X15 MM

 **x4**



20

