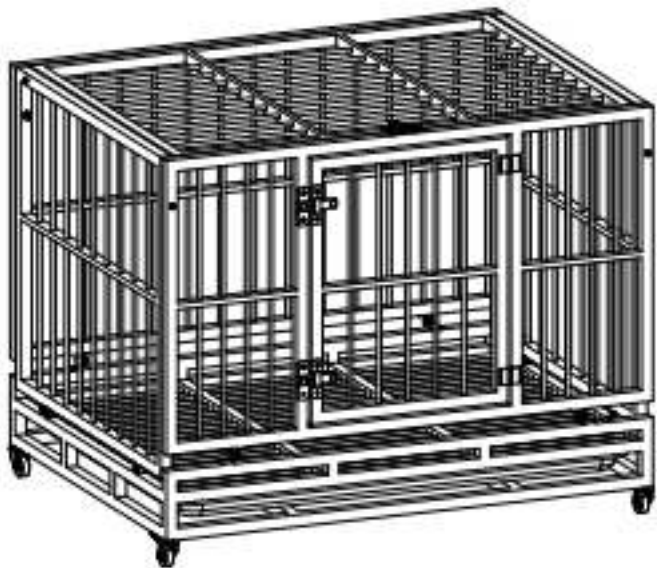




Ultimate Heavy Duty Steel Metal Dog Crate

User Manual



You need

1 Tools required

A Phillips head screwdriver is required for the assembly of this product. (not included)

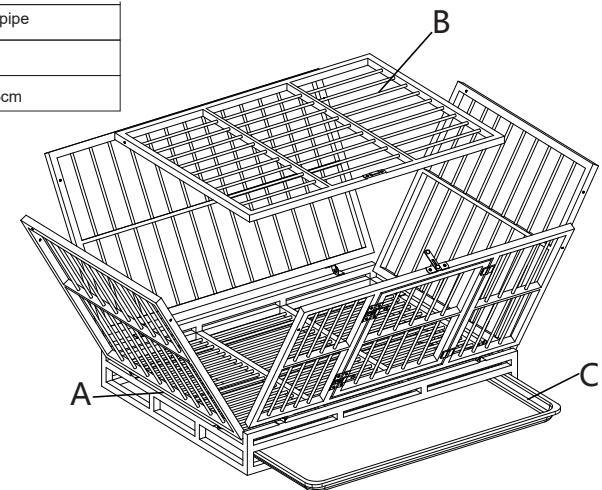
Power tools should not be used to assemble this product.

2 2 persons are needed

3 Take 10 minutes

10mins

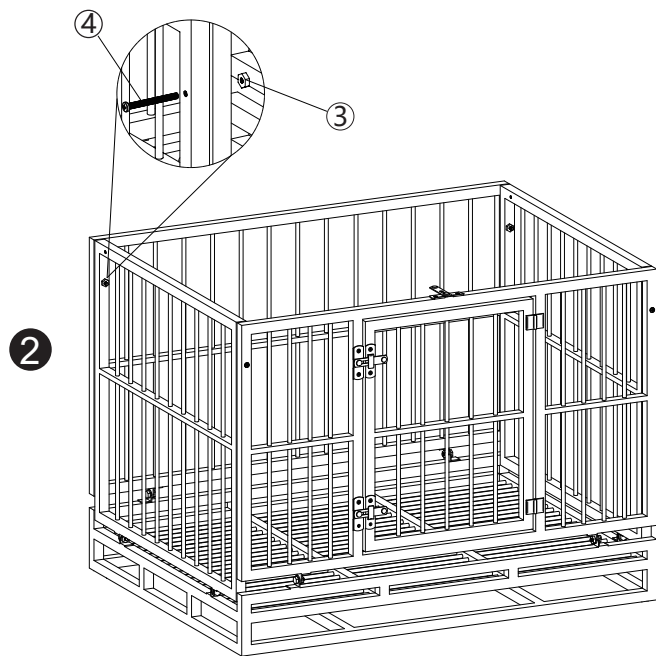
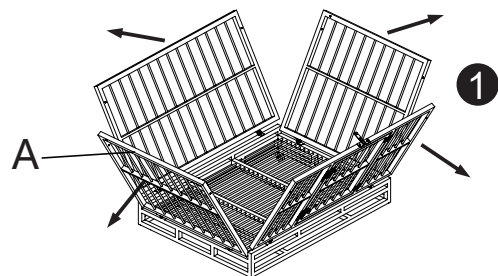
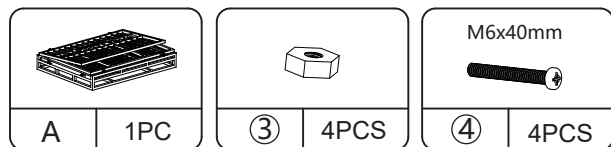
Material	Galvanized pipe
Colour	Black
Size	94*59*73.5cm



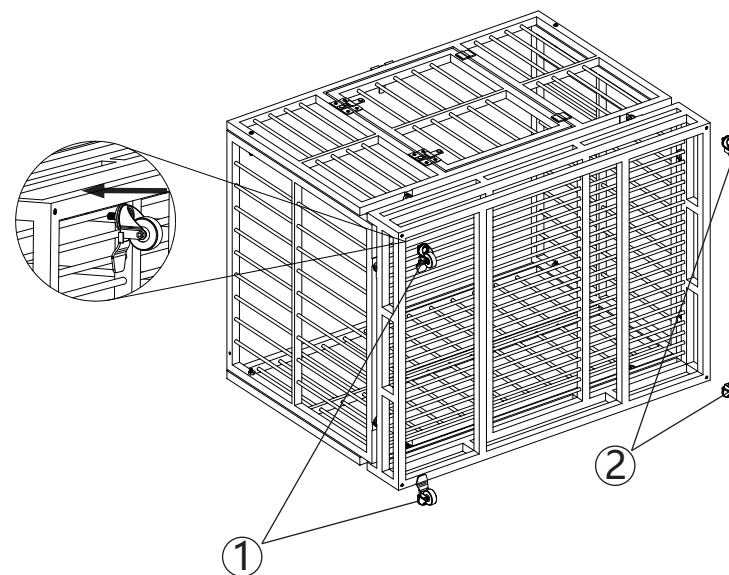
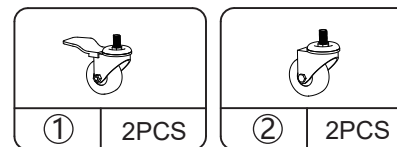
Hardware List

A 1PC	B 1PC	C 1PC	① 2PCS
② 2PCS	③ 4PCS	④ 4PCS	⑤ 2PCS

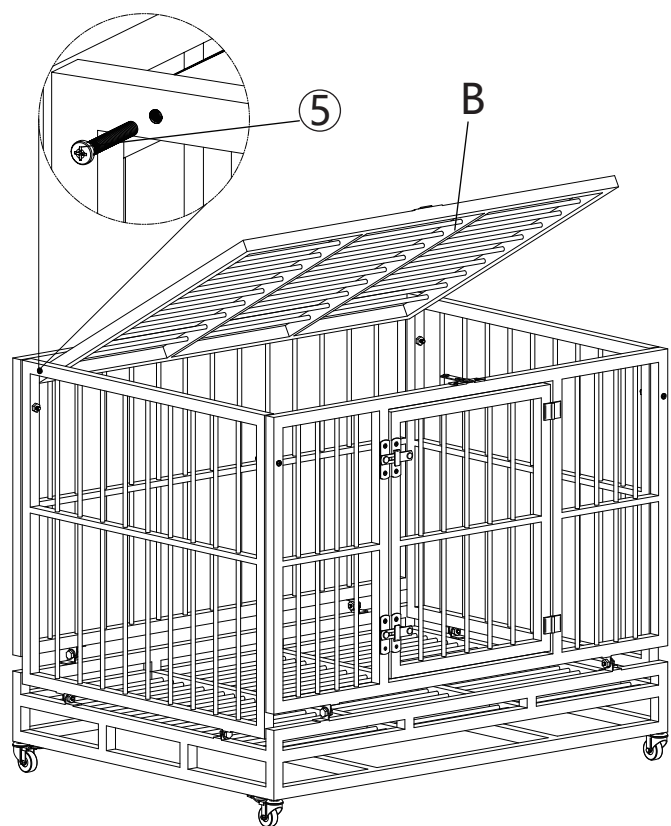
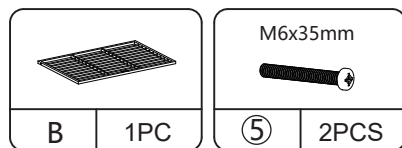
STEP 1



STEP 2



STEP 3



STEP 4

